

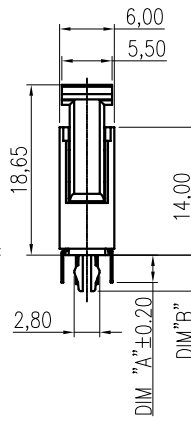
This document is the property of Amphenol Corporation and is delivered on the express condition that it is not to be disclosed, reproduced or used, in whole or in part, for manufacture or sale by anyone other than Amphenol Corporation without its prior consent, & that no right is granted to disclose or to use any information in this document.

PRO/E GENERATED DRAWING, DO NOT CHANGE BY HAND

CUSTOMER DRAWING

REVISIONS

| SYM | ECN | DESCRIPTION | DATE | APPROVED |
|-----|------|--|----------|----------|
| 1 | HK-- | First Release | 12/16/13 | IP |
| 2 | HK-- | Added latch option and some dimensions, and modified the q'ty of packing | 08/21/14 | IP |
| 3 | HK-- | Added dimensions per customer's requirement | 08/26/14 | IP |
| 4 | HK-- | Added color options | 01/06/15 | IP |
| 5 | HK-- | Added a dimension and latch profile | 01/26/15 | IP |



NOTES:

- MATERIAL:**
HOUSING: HIGH TEMPERATURE THERMAL PLASTIC, OPTION, UL94V-0, COLOR: OPTION.
LATCH: HIGH TEMPERATURE THERMAL PLASTIC, OPTION, UL94V-0. COLOR: OPTION.
TERMINAL: COPPER ALLOY.
BOARDLOCK: COPPER ALLOY.
- FINISH:**
TERMINAL:
CONTACT AREA: SELECTED GOLD PLATING;
SOLDERING AREA: MATTE TIN PLATING 100 μ" THICKNESS MIN.;
UNDER PLATING: NICKEL PLATING 50 μ" THICKNESS MIN. OVERALL
BOARDLOCK:
NICKEL PLATING 80 μ" THICKNESS MIN.;
- PACKING:** PK5-ZDDR4-001, MPQ: 480pcs
- THIS PRODUCT IS HALOGEN-FREE COMPLIANT PRODUCT.
- Order p/n system:

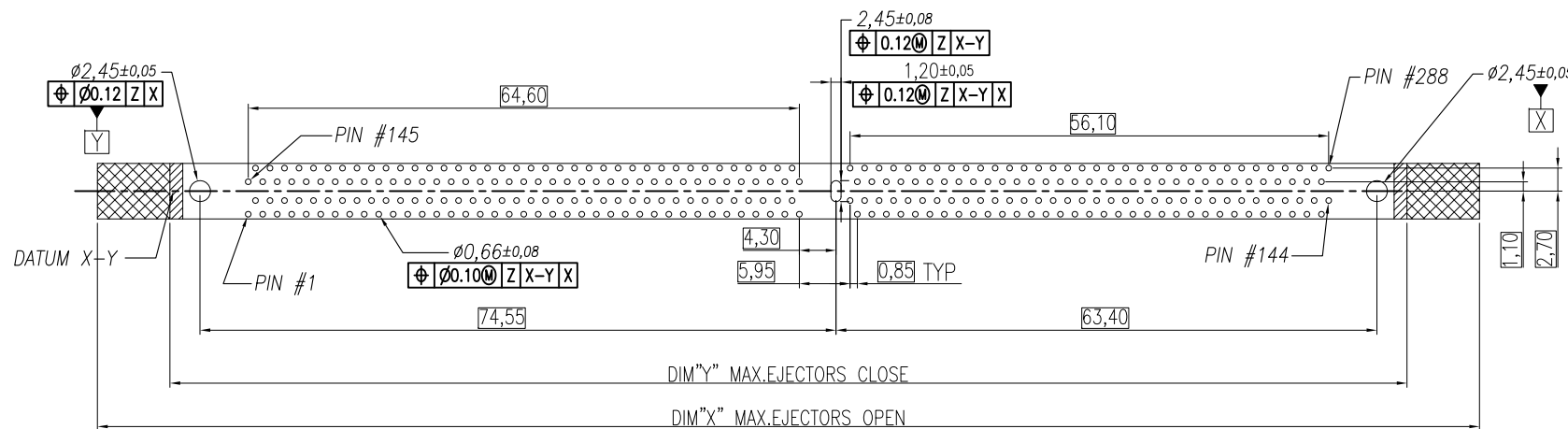
LATCH PROFILE

| |
|---|
| NIL: DIM "X" = 152MAX; DIM "Y" = 142MAX |
| F: DIM "X" = 162MAX; DIM "Y" = 145MAX |

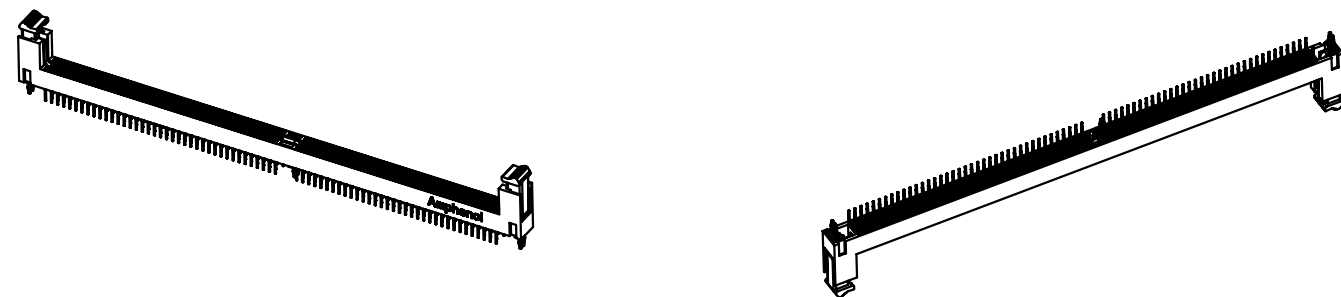
LATCH OPTION/REMARK:

- NIL: DIM "X" = 152MAX; DIM "Y" = 142MAX
F: DIM "X" = 162MAX; DIM "Y" = 145MAX
- PACKAGE CODE:
T: TRAY
- CONTACT PLATED
0: GOLD FLASH
1: 15 μ" GOLD
2: 20 μ" GOLD
3: 30 μ" GOLD
4: 3 μ" GOLD OVER 12 μ" PdNi
5: 3 μ" GOLD OVER 27 μ" PdNi

- DOUBLE DATA RATE 4 SERIES
NO. OF POSITIONS: 288 POS.
VERTICAL
SEQUENCE NUMBER: _____
- {DIP OPTION (DIMA, DIMB, PCB)}
01: DIP=2.10MM, 3.94MM, 1.57 PCB
02: DIP=2.67MM, 3.94MM, 1.57 PCB
03: DIP=2.95MM, 4.60MM, 2.36 PCB
04: DIP=3.18MM, 4.60MM, 2.36 PCB
- HOUSING/LATCH COLOR
1: NYLON, BLACK/ NYLON, BLACK
2: NYLON, BLACK/ NYLON, NATURAL(IVORY)
3: NYLON, NATURAL(IVORY)/ NYLON, BLACK
4: NYLON, NATURAL(IVORY)/ NYLON, NATURAL(IVORY)
5: NYLON, BLUE/ NYLON, NATURAL(IVORY)
6: NYLON, GREEN/ NYLON, NATURAL(IVORY)
7: NYLON, BLUE/ NYLON, BLUE
8: NYLON, YELLOW/ NYLON, NATURAL(IVORY)



RECOMMENDED PCB LAYOUT (TOP VIEW)



| PART NO. | DIM. "A" | DIM. "B" | PCB THK |
|----------------|----------|----------|---------|
| DDR4288V01XXTX | 2.10 | 3.94 | 1.57 |
| DDR4288V02XXTX | 2.67 | 3.94 | 1.57 |
| DDR4288V03XXTX | 2.95 | 4.60 | 2.36 |
| DDR4288V04XXTX | 3.18 | 4.60 | 2.36 |

| UNLESS OTHERWISE SPECIFIED TOLERANCES | | APPROVAL | | DATE | |
|---------------------------------------|--------|---|----------|----------|--|
| U.S. | METRIC | DRAWN | Acon.Dal | 01/26/15 | |
| 0.0 | +/- | CHECKED | Dam.he | 01/26/15 | |
| 0.00 | +/- | CHECKED | | | |
| 0.000 | +/- | | | | |
| FRACTIONS | +/- | | | | |
| ANGLES | +/- | | | | |
| FOR MATERIALS AND FINISHES SEE NOTES | | DRAWING FILE : \DRAWING\DDR4\DDR4288V0000TX-S | | | |
| REMOVE SHARP EDGES | | ANGLE OF PROJECTION | | | |
| DIMENSIONS | | | | | |
| U.S. | INCHES | | | | |
| (METRIC) | (MM) | | | | |

Amphenol

Amphenol East Asia Limited

TITLE Customer drawing For DDR4 Series, 288 pos., 0.85 pitch Vertical Dip Type

| | | |
|-------|-----------------------|--------------|
| SIZE | DRAWING NO. | REV. |
| A3 | DDR4-288-V-XX-X-X-T-X | 5 |
| SCALE | N/A | SHEET 1 OF 3 |



This document is the property of Amphenol Corporation and is delivered on the express condition that it is not to be disclosed, reproduced or used, in whole or in part, for manufacture or sale by anyone other than Amphenol Corporation without its prior consent, & that no right is granted to disclose or to use any information in this document.

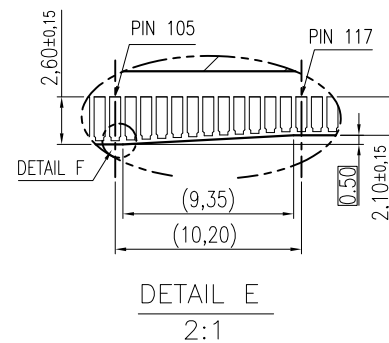
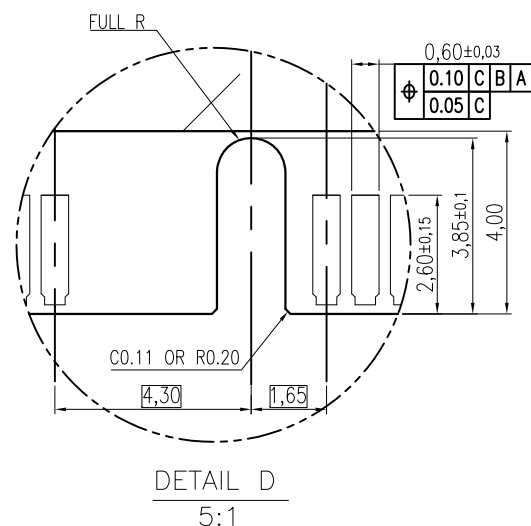
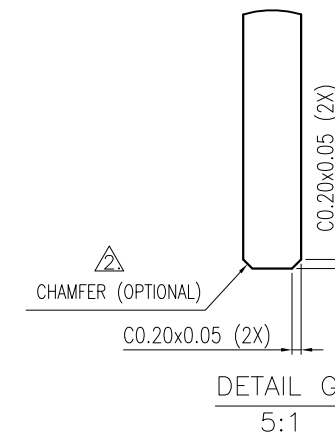
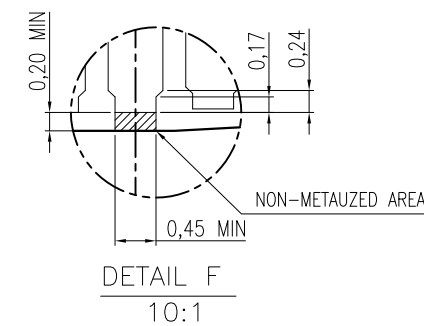
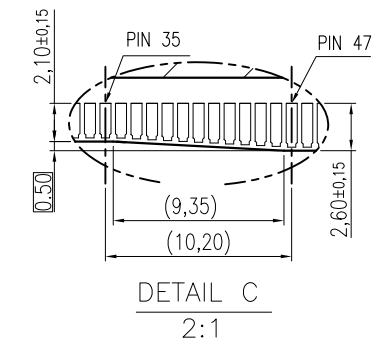
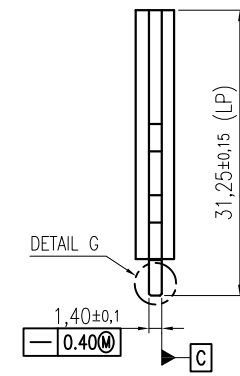
PRO/E GENERATED DRAWING, DO NOT CHANGE BY HAND

CUSTOMER DRAWING

| REVISIONS | | | | |
|-------------|-----|-------------|------|----------|
| SYM | ECN | DESCRIPTION | DATE | APPROVED |
| SEE SHEET 1 | | | | |

NOTES:

- RECOMMENDED PLATING FOR CONTACT PADS:
 PREFERRED: 0.76 MICROMETERS GOLD PLATING MIN. OVER 2.00 MICROMETERS NICKEL.
 ALTERNATIVE: 0.05~0.75 MICROMETERS GOLD PLATING OVER 2.00 MICROMETERS NICKEL MUST USE AN ELECTRONIC CONTACT GRADE CORROSIVE BARRIER LUBRICANT.
 △ CHAMFER IS OPTIONAL AND IS NOT TO HIT GOLD PADS.



| | | | | | |
|---------------------------------------|------|--------------------|----------|---------------------|---|
| UNLESS OTHERWISE SPECIFIED TOLERANCES | | APPROVAL | | DATE | Amphenol Amphenol East Asia Limited TITLE Customer drawing For DDR4 Series, 288 pos., 0.85 pitch Vertical Dip Type |
| U.S. METRIC | | DRAWN | Acon.Dal | 01/26/15 | |
| 0.0 +/- | 0.30 | CHECKED | Dam.he | 01/26/15 | |
| 0.00 +/- | 0.20 | CHECKED | | | DRAWING FILE : \DRAWING\DDR4\DDR4288V\000TX-S |
| 0.000 +/- | 0.10 | REMOVE SHARP EDGES | | ANGLE OF PROJECTION | SIZE A3 DRAWING NO. DDR4-288-V-XX-X-X-T-X REV. 5 |
| FRACTIONS +/- | 1" | DIMENSIONS | | | SCALE N/A SHEET 2 OF 3 |
| ANGLES +/- | | U.S. INCHES | | | |
| FOR MATERIALS AND FINISHES SEE NOTES | | (METRIC) (MM) | | | |



This document is the property of Amphenol Corporation and is delivered on the express condition that it is not to be disclosed, reproduced or used, in whole or in part, for manufacture or sale by anyone other than Amphenol Corporation without its prior consent, & that no right is granted to disclose or to use any information in this document.

PRO/E GENERATED DRAWING,DO NOT CHANGE BY HAND

CUSTOMER DRAWING

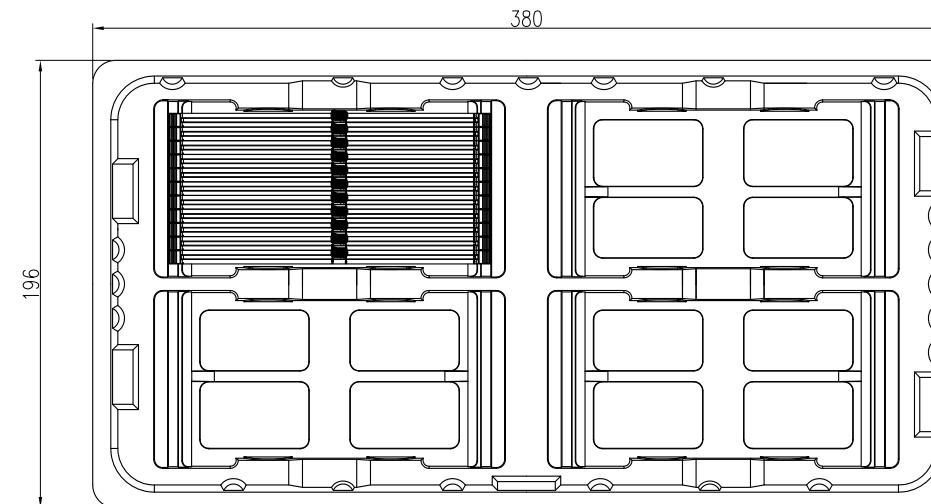
| REVISIONS | | | | | |
|-------------|-----|-------------|------|----------|--|
| SYM | ECN | DESCRIPTION | DATE | APPROVED | |
| SEE SHEET 1 | | | | | |



NOTES:

1. IN THE 14 PLASTIC TRAYS ,THE TWO TOP PLASTIC TRAYS ARE TO COVER THE CONNECTORS ,THE OTHERS ARE FILLED WITH CONNECTORS.

| TOTEL TRAY PER CARTON | QT'Y/TRAY | QT'Y/SHIPPING CARTON | PLASTIC BAGS QT'Y /SHIPPING CARTON | G.W. | N.W. |
|-----------------------|-----------|----------------------|------------------------------------|---------|---------|
| 14 | 40 | 480 | 1 | 5.2 KGf | 3.2 KGf |



| | | | | | |
|---------------------------------------|------|---|----------|----------|--|
| UNLESS OTHERWISE SPECIFIED TOLERANCES | | APPROVAL | | DATE | Amphenol Amphenol East Asia Limited |
| U.S. METRIC | | DRAWN | Acon.Dal | 01/26/15 | |
| 0.0 +/- | 0.30 | CHECKED | Dam.he | 01/26/15 | TITLE Customer drawing For DDR4 Series, 288 pos.,0.85 pitch Vertical Dip Type |
| 0.00 +/- | 0.20 | CHECKED | | | |
| 0.000 +/- | 0.10 | DRAWING FILE : \\DRAWING\DDR4\DDR4288V\000TX-S | | | SIZE DRAWING NO. |
| FRACTIONS +/- | 1" | ANGLE OF PROJECTION | | | A3 DDR4-288-V-XX-X-X-T-X |
| ANGLES +/- | | REMOVE SHARP EDGES | | | REV. 5 |
| FOR MATERIALS AND FINISHES SEE NOTES | | DIMENSIONS | | | SCALE N/A |
| | | U.S. INCHES | | | SHEET 3 OF 3 |
| | | (METRIC) (MM) | | | |

Компания «Океан Электроники» предлагает заключение долгосрочных отношений при поставках импортных электронных компонентов на взаимовыгодных условиях!

Наши преимущества:

- Поставка оригинальных импортных электронных компонентов напрямую с производств Америки, Европы и Азии, а так же с крупнейших складов мира;
- Широкая линейка поставок активных и пассивных импортных электронных компонентов (более 30 млн. наименований);
- Поставка сложных, дефицитных, либо снятых с производства позиций;
- Оперативные сроки поставки под заказ (от 5 рабочих дней);
- Экспресс доставка в любую точку России;
- Помощь Конструкторского Отдела и консультации квалифицированных инженеров;
- Техническая поддержка проекта, помощь в подборе аналогов, поставка прототипов;
- Поставка электронных компонентов под контролем ВП;
- Система менеджмента качества сертифицирована по Международному стандарту ISO 9001;
- При необходимости вся продукция военного и аэрокосмического назначения проходит испытания и сертификацию в лаборатории (по согласованию с заказчиком);
- Поставка специализированных компонентов военного и аэрокосмического уровня качества (Xilinx, Altera, Analog Devices, Intersil, Interpoint, Microsemi, Actel, Aeroflex, Peregrine, VPT, Syfer, Eurofarad, Texas Instruments, MS Kennedy, Miteq, Cobham, E2V, MA-COM, Hittite, Mini-Circuits, General Dynamics и др.);

Компания «Океан Электроники» является официальным дистрибьютором и эксклюзивным представителем в России одного из крупнейших производителей разъемов военного и аэрокосмического назначения «JONHON», а так же официальным дистрибьютором и эксклюзивным представителем в России производителя высокотехнологичных и надежных решений для передачи СВЧ сигналов «FORSTAR».



JONHON

«JONHON» (основан в 1970 г.)

Разъемы специального, военного и аэрокосмического назначения:

(Применяются в военной, авиационной, аэрокосмической, морской, железнодорожной, горно- и нефтедобывающей отраслях промышленности)

«FORSTAR» (основан в 1998 г.)

ВЧ соединители, коаксиальные кабели, кабельные сборки и микроволновые компоненты:

(Применяются в телекоммуникациях гражданского и специального назначения, в средствах связи, РЛС, а так же военной, авиационной и аэрокосмической отраслях промышленности).



Телефон: 8 (812) 309-75-97 (многоканальный)

Факс: 8 (812) 320-03-32

Электронная почта: ocean@oceanchips.ru

Web: <http://oceanchips.ru/>

Адрес: 198099, г. Санкт-Петербург, ул. Калинина, д. 2, корп. 4, лит. А