

GT17 Series

— Multi contacts connector for high frequency Application —
(as USB,LVDS,GVIF)



■ Features

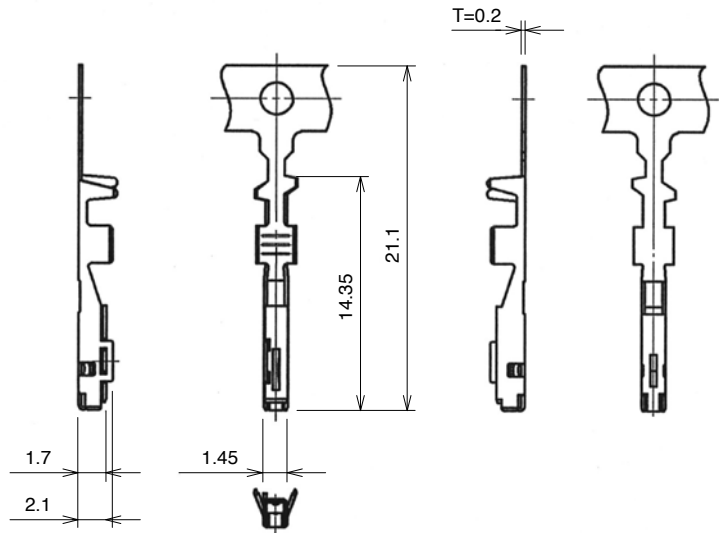
- All surface shielded construction.
- Ideal for use as Automotive USB connectors.

■ Applications

In-car data communications, etc.

F Connectors

- Center Terminals
(Used with 6, 8, and 10 conductor cable)

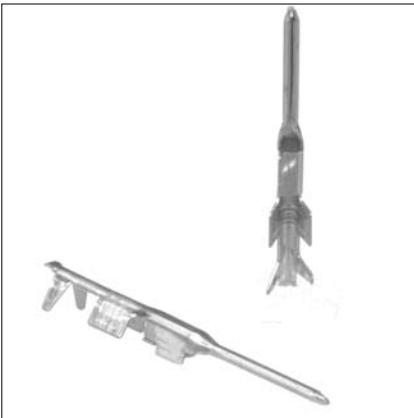


These are lead-free products.

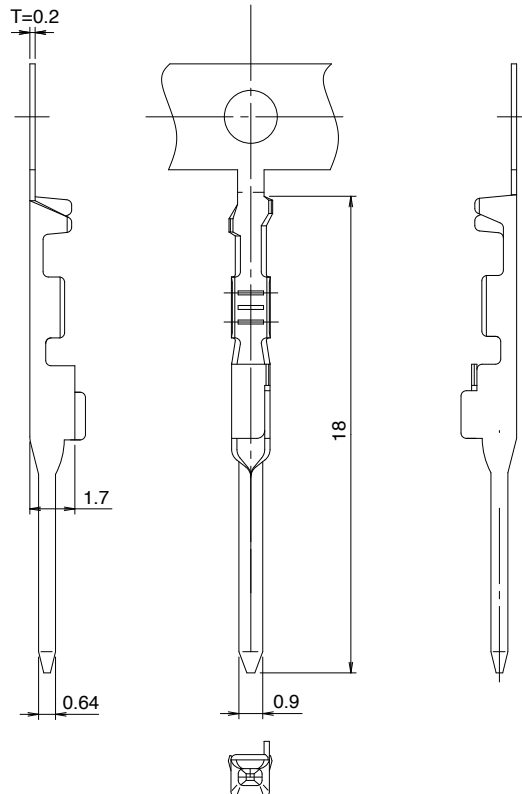
| Part Number | HRS No. | Material | Finish | Conductor Size (AWG) | Outer Diameter | Packaging | RoHS |
|---------------|------------|--------------|-------------|----------------------|-----------------|-----------------|------|
| GT17-2022SCF | 767-0009-0 | Copper alloy | Tin plating | #20 to 22 | φ 1.1 to 1.3 mm | 10,000 pcs/reel | YES |
| GT17-2428SCF | 767-0010-0 | Copper alloy | Tin plating | #24 to 28 | φ 0.7 to 1.0 mm | 10,000 pcs/reel | |
| GT17-30SCF | 767-0064-9 | Copper alloy | Tin plating | #30 | φ 1.1 to 1.3 mm | 10,000 pcs/reel | |
| GT17B-2428SCF | 767-0122-3 | Copper alloy | Tin plating | #24 to 28 | φ 0.5 to 0.7 mm | 10,000 pcs/reel | |

M Connectors

- Center Terminals
(Used with 6, 8, and 10 conductor cable)



These are lead-free products.



| Part Number | HRS No. | Material | Finish | Conductor Size (AWG) | Outer Diameter | Packaging | RoHS |
|---------------|------------|----------|-------------|----------------------|-----------------|-----------------|------|
| GT17-2022PCF | 767-0082-0 | Brass | Tin plating | AWG#20~22 | φ 1.1 to 1.3 mm | 10,000 pcs/reel | YES |
| GT17-2428PCF | 767-0076-8 | Brass | Tin plating | AWG#24~28 | φ 0.7 to 1.0 mm | 10,000 pcs/reel | |
| GT17A-2428PCF | 767-0121-0 | Brass | Tin plating | AWG#24~28 | φ 1.1 to 1.3 mm | 10,000 pcs/reel | |

6-Conductor Straight Connectors

◆By using each of the two differently keyed types of housing for different purposes, incorrect insertion can be prevented.



◆The product comprises 6 parts.

(Housing, insulator, outer terminal, shield plate, retainer, and center terminal)

● Housing

| Part Number | HRS No. | Material / Finish or Color | Packaging | Remarks | RoHS |
|----------------|------------|----------------------------|-----------|---------|------|
| GT17VS-6DS-HU | 767-0051-7 | PBT/Light Gray | 1piece | — | YES |
| GT17VSA-6DS-HU | 767-0052-0 | PBT/Black | 1piece | — | |

● Insulator

| Part Number | HRS No. | Material / Finish or Color | Packaging | Remarks | RoHS |
|--------------|------------|----------------------------|-----------|---------|------|
| GT17V-6DS-2C | 767-0026-0 | PBT/Dark Gray | 1piece | — | YES |

● Outer terminal

| Part Number | HRS No. | Material / Finish or Color | Packaging | Remarks | RoHS |
|----------------|------------|----------------------------|-----------|---|------|
| GT17VS-6DS-5CF | 767-0050-4 | Copper alloy / Tin plating | 1piece | Lead free, Conductor Size ϕ 4.8 to 5.2 | YES |

● Shield plate

| Part Number | HRS No. | Material / Finish or Color | Packaging | Remarks | RoHS |
|---------------|------------|----------------------------|-----------|-----------|------|
| GT17VS-6DS-SC | 767-0049-5 | Copper alloy / Tin plating | 1piece | Lead free | YES |

● Retainer

| Part Number | HRS No. | Material / Finish or Color | Packaging | Remarks | RoHS |
|--------------|------------|----------------------------|-----------|---------|------|
| GT17VS-6DS-R | 767-0053-2 | PBT/Dark Gray | 1piece | — | YES |

● Center terminal

Used with 6,8, and 10 conductor cable

◆ Mating Table

| Color | Cable side connector | Board connector |
|-------|----------------------|-------------------|
| Gray | GT17VS-6DS-HU | GT17V-6DP-DS(70) |
| | | GT17VB-6DP-DS(70) |
| Black | GT17VSA-6DS-HU | GT17VA-6DP-DS(70) |
| | | GT17VC-6DP-DS(70) |

6-Conductor Right-angle Connectors

◆By using each of the two differently keyed types of housing for different purposes, incorrect insertion can be prevented.



◆The product comprises 6 parts.

(Housing, insulator, outer terminal, shield plate, retainer, and center terminal)

● Housing

| Part Number | HRS No. | Material / Finish or Color | Packaging | Remarks | RoHS |
|---------------|------------|----------------------------|-----------|---------|------|
| GT17V-6DS-HU | 767-0029-8 | PBT / Light Gray | 1piece | — | YES |
| GT17VA-6DS-HU | 767-0030-7 | PBT / Black | 1piece | — | |

● Insulator

| Part Number | HRS No. | Material / Finish or Color | Packaging | Remarks | RoHS |
|--------------|------------|----------------------------|-----------|---------|------|
| GT17V-6DS-2C | 767-0026-0 | PBT / Dark Gray | 1piece | — | YES |

● Outer terminal

| Part Number | HRS No. | Material / Finish or Color | Packaging | Remarks | RoHS |
|-----------------|------------|----------------------------|-----------|---|------|
| GT17V-6DS-5CF | 767-0027-2 | Copper alloy / Tin plating | 1piece | Lead free, Conductor Size ϕ 4.8 to 5.2mm | YES |
| GT17V-6DS-3.8CF | 767-0075-5 | Copper alloy / Tin plating | 1piece | Lead free, Conductor Size ϕ 3.8 to 4.2mm | |

● Shield plate

| Part Number | HRS No. | Material / Finish or Color | Packaging | Remarks | RoHS |
|--------------|------------|----------------------------|-----------|-----------|------|
| GT17V-6DS-SC | 767-0028-5 | Copper alloy / Tin plating | 1piece | Lead free | YES |

● Retainer

| Part Number | HRS No. | Material / Finish or Color | Packaging | Remarks | RoHS |
|-------------|------------|----------------------------|-----------|---------|------|
| GT17V-6DS-R | 767-0031-0 | PBT / Dark Gray | 1piece | — | YES |

● Center terminal

Used with 6, 8, and 10 conductor cable

◆ Mating Table

| Color | Cable side connector | Board connector |
|-------|----------------------|---|
| Gray | GT17V-6DS-HU | GT17V-6DP-DS(70)(Cable exit direction, up side from mounting side) |
| | | GT17VB-6DP-DS(70)(Cable exit direction, down side from mounting side) |
| Black | GT17VA-6DS-HU | GT17VA-6DP-DS(70)(Cable exit direction, up side from mounting side) |
| | | GT17VC-6DP-DS(70)(Cable exit direction, down side from mounting side) |

6-Conductor Printed Circuit Board Connectors

By using each of the two differently keyed types of housing for different purposes, incorrect insertion can be prevented.

● Cable extraction facing up

| Part Number | HRS No. | Material / Finish or Color | Packaging | Remarks | RoHS |
|------------------|---------------|---|-----------|-----------|------|
| GT17V-6DP-DS(70) | 767-0024-4-70 | Housing: PBT/Light Gray Center terminal: Brass /Tin plating Outer terminal: Copper alloy /Tin plating | 1piece | Lead free | YES |



GT17V-6DP-DS(70)



● Cable extraction facing down

| Part Number | HRS No. | Material / Finish or Color | Packaging | Remarks | RoHS |
|-------------------|---------------|---|-----------|-----------|------|
| GT17VB-6DP-DS(70) | 767-0032-2-70 | Housing: PBT/Light Gray Center terminal: Brass /Tin plating Outer terminal: Copper alloy /Tin plating | 1piece | Lead free | YES |



GT17VB-6DP-DS(70)



6-Conductor Printed Circuit Board Connectors

By using each of the two differently keyed types of housing for different purposes, incorrect insertion can be prevented.

● Cable extraction facing up

| Part Number | HRS No. | Material / Finish or Color | Packaging | Remarks | RoHS |
|-------------------|---------------|--|-----------|-----------|------|
| GT17VA-6DP-DS(70) | 767-0025-7-70 | Housing: PBT/Black Center terminal: Brass /Tin plating Outer terminal: Copper alloy /Tin plating | 1piece | Lead free | YES |



GT17VA-6DP-DS(70)



● Cable extraction facing down

| Part Number | HRS No. | Material / Finish or Color | Packaging | Remarks | RoHS |
|-------------------|---------------|--|-----------|-----------|------|
| GT17VC-6DP-DS(70) | 767-0033-5-70 | Housing: PBT/Black Center terminal: Brass /Tin plating Outer terminal: Copper alloy /Tin plating | 1piece | Lead free | YES |



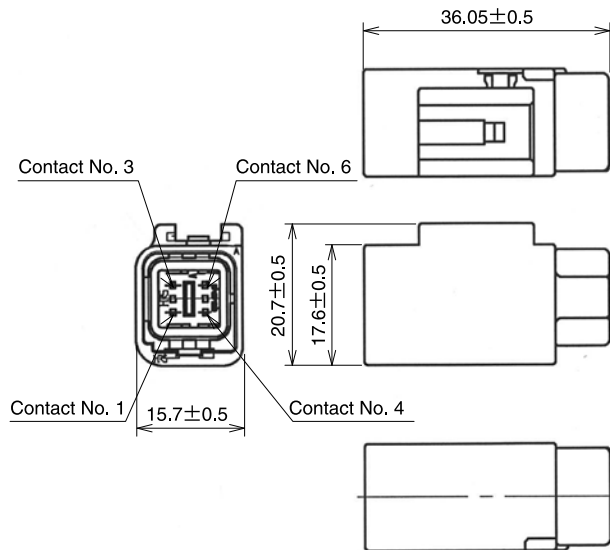
GT17VC-6DP-DS(70)



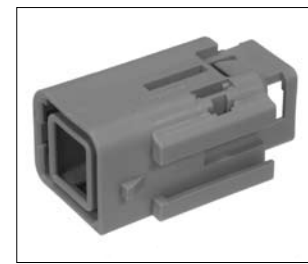
GT 5
GT 13
GT 16
PO5G
GT 11
GT 17
GT 19
GT 26
GT 27
GT 3
GT 6W
GT 7
GT 10
GT 18W
GT 15
GT 8
GT 9
GT 25
GT 22

Coaxial cable connection of Antennas, Sensors, and Communication Trunk Lines

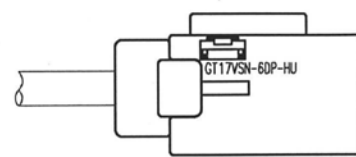
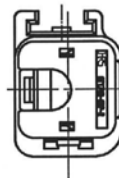
6-Conductor Inline Connectors



GT17VSN-6DP-HU



GT17VSV-6DP-HU



◆The product comprises 6 parts.
(Housing, insulator, outer terminal, shield plate, retainer, and center terminal)

●Housing

| Part Number | HRS No. | Material / Finish or Color | Packaging | Remarks | RoHS |
|----------------|------------|----------------------------|-----------|---------|------|
| GT17VSN-6DP-HU | 767-0077-0 | PBT / Light Gray | 1piece | — | YES |
| GT17VSV-6DP-HU | 767-0128-0 | PBT / Light Gray | 1piece | — | YES |

●Insulator

| Part Number | HRS No. | Material / Finish or Color | Packaging | Remarks | RoHS |
|--------------|------------|----------------------------|-----------|---------|------|
| GT17V-6DP-2C | 767-0078-3 | PBT / Dark Gray | 1piece | — | YES |

●Outer terminal

| Part Number | HRS No. | Material / Finish or Color | Packaging | Remarks | RoHS |
|----------------|------------|----------------------------|-----------|---|------|
| GT17VS-6DP-5CF | 767-0080-5 | Copper alloy / Tin plating | 1piece | Lead free, Conductor Size ϕ 4.8 to 5.2mm | YES |

●Shield plate

| Part Number | HRS No. | Material / Finish or Color | Packaging | Remarks | RoHS |
|---------------|------------|----------------------------|-----------|-----------|------|
| GT17VS-6DP-SC | 767-0079-6 | Copper alloy / Tin plating | 1piece | Lead free | YES |

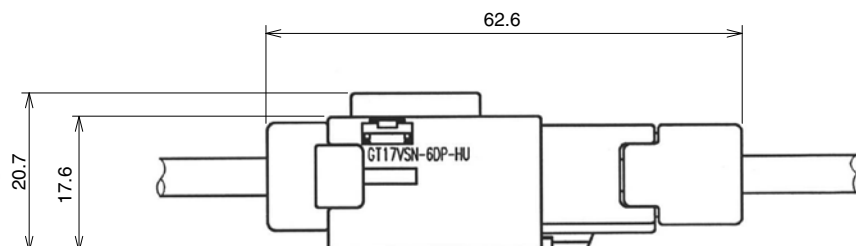
●Retainer

| Part Number | HRS No. | Material / Finish or Color | Packaging | Remarks | RoHS |
|--------------|------------|----------------------------|-----------|---------|------|
| GT17VS-6DP-R | 767-0081-8 | PBT / Dark Gray | 1piece | — | YES |

●Center terminal

Used with 6,8, and 10 conductor cable

GT17 6-Conductor Inline Connector Mounting Condition



8-Conductor Right-angle Connectors

◆By using each of the two differently keyed types of housing for different purposes, incorrect insertion can be prevented.



◆The product comprises 6 parts.

(Housing, insulator, outer terminal, shield plate, retainer, and center terminal)

●Housing

| Part Number | HRS No. | Material / Finish or Color | Packaging | Remarks | RoHS |
|--------------|------------|----------------------------|-----------|---------|------|
| GT17-8DS-HU | 767-0003-4 | PBT / Light Gray | 1piece | — | YES |
| GT17A-8DS-HU | 767-0004-7 | PBT / Black | 1piece | — | |

●Insulator

| Part Number | HRS No. | Material / Finish or Color | Packaging | Remarks | RoHS |
|-------------|------------|----------------------------|-----------|---------|------|
| GT17-8DS-2C | 767-0005-0 | PBT / Dark Gray | 1piece | — | YES |

●Outer terminal

| Part Number | HRS No. | Material / Finish or Color | Packaging | Remarks | RoHS |
|------------------|---------------|-------------------------------|-----------|---|------|
| GT17-8DS-7CF(70) | 767-0007-5-70 | Phosphor bronze / Tin plating | 1piece | Lead free, Conductor Size ϕ 6.8 to 7.2mm | YES |

●Shield plate

| Part Number | HRS No. | Material / Finish or Color | Packaging | Remarks | RoHS |
|-----------------|---------------|----------------------------|-----------|-----------|------|
| GT17-8DS-SC(70) | 767-0006-2-70 | Copper alloy / Tin plating | 1piece | Lead free | YES |

●Retainer

| Part Number | HRS No. | Material / Finish or Color | Packaging | Remarks | RoHS |
|-------------|------------|----------------------------|-----------|---------|------|
| GT17-8DS-R | 767-0008-8 | PBT / Dark Gray | 1piece | — | YES |

●Center terminal

Used with 6,8, and 10 conductor cable

◆Mating Table

| Color | Cable side connector | Board connector |
|-------|----------------------|---|
| Gray | GT17-8DS-HU | GT17V-8DP-DS(Cable exit direction, up side from mounting side) |
| | | GT17VB-8DP-DS(Cable exit direction, down side from mounting side) |
| Black | GT17A-8DS-HU | GT17VA-8DP-DS(Cable exit direction, up side from mounting side) |
| | | GT17VC-8DP-DS(Cable exit direction, down side from mounting side) |

8-Conductor Straight Connectors

◆By using each of the two differently keyed types of housing for different purposes, incorrect insertion can be prevented.



◆The product comprises 6 parts.
(Housing, insulator, outer terminal, shield plate, retainer, and center terminal)

●Housing

| Part Number | HRS No. | Material / Finish or Color | Packaging | Remarks | RoHS |
|---------------|------------|----------------------------|-----------|---------|------|
| GT17S-8DS-HU | 767-0108-2 | PBT / Light Gray | 1piece | — | YES |
| GT17SA-8DS-HU | 767-0109-5 | PBT / Black | 1piece | — | |

●Insulator

| Part Number | HRS No. | Material / Finish or Color | Packaging | Remarks | RoHS |
|-------------|------------|----------------------------|-----------|---------|------|
| GT17-8DS-2C | 767-0005-0 | PBT / Dark Gray | 1piece | — | YES |

●Outer terminal

| Part Number | HRS No. | Material / Finish or Color | Packaging | Remarks | RoHS |
|---------------|------------|----------------------------|-----------|---|------|
| GT17S-8DS-7CF | 767-0106-7 | Copper alloy / Tin plating | 1piece | Lead free, Conductor Size ϕ 6.8 to 7.2mm | YES |

●Shield plate

| Part Number | HRS No. | Material / Finish or Color | Packaging | Remarks | RoHS |
|--------------|------------|----------------------------|-----------|-----------|------|
| GT17S-8DS-SC | 767-0107-0 | Copper alloy / Tin plating | 1piece | Lead free | YES |

●Retainer

| Part Number | HRS No. | Material / Finish or Color | Packaging | Remarks | RoHS |
|-------------|------------|----------------------------|-----------|---------|------|
| GT17S-8DS-R | 767-0110-4 | PBT / Dark Gray | 1piece | — | YES |

●Center terminal

Used with 6,8, and 10 conductor cable

◆Mating Table

| Color | Cable side connector | Board connector |
|-------|----------------------|---|
| Gray | GT17S-8DS-HU | GT17V-8DP-DS(Cable exit direction, up side from mounting side) |
| | | GT17VB-8DP-DS(Cable exit direction, down side from mounting side) |
| Black | GT17SA-8DS-HU | GT17VA-8DP-DS(Cable exit direction, up side from mounting side) |
| | | GT17VC-8DP-DS(Cable exit direction, down side from mounting side) |

8-Conductor Printed Circuit Board Connectors

● Cable extraction facing up

| Part Number | HRS No. | Material / Finish or Color | Packaging | Remarks | RoHS |
|--------------|------------|---|-----------|-----------|------|
| GT17V-8DP-DS | 767-0139-6 | Housing: PBT/Light Gray Center terminal: Brass /Tin plating Outer terminal: Copper alloy /Tin plating | 1piece | Lead free | YES |



GT17V-8DP-DS



● Cable extraction facing down

| Part Number | HRS No. | Material / Finish or Color | Packaging | Remarks | RoHS |
|------------------|------------|---|-----------|-----------|------|
| GT17VB-8DP-DS | 767-0185-3 | Housing: PBT/Light Gray Center terminal: Brass /Tin plating Outer terminal: Copper alloy /Tin plating | 1piece | Lead free | YES |
| GT17VB-8DP-DS-SB | 767-0123-6 | Housing: PBT/Light Gray Center terminal/Shield case: Brass /Tin plating Outer terminal: Copper alloy /Tin plating | 1piece | Lead free | |



GT17VB-8DP-DS



GT17VB-8DP-DS-SB
(with enhanced shielding type)



GT 5
GT 13
GT 16
PO5G
GT 11
GT 17
GT 19
GT 26
GT 27
GT 3
GT 6W
GT 7
GT 10
GT 18W
GT 15
GT 8
GT 9
GT 25
GT 22

Coaxial cable connection of Antennas, Sensors, and Communication Trunk Lines

8-Conductor Printed Circuit Board Connectors

● Cable extraction facing up

| Part Number | HRS No. | Material / Finish or Color | Packaging | Remarks | RoHS |
|---------------|------------|--|-----------|-----------|------|
| GT17VA-8DP-DS | 767-0200-5 | Housing: PBT/Black Center terminal: Brass /Tin plating Outer terminal: Copper alloy /Tin plating | 1piece | Lead free | YES |



GT17VA-8DP-DS



● Cable extraction facing down

| Part Number | HRS No. | Material / Finish or Color | Packaging | Remarks | RoHS |
|---------------|------------|--|-----------|-----------|------|
| GT17VC-8DP-DS | 767-0199-8 | Housing: PBT/Black Center terminal: Brass /Tin plating Outer terminal: Copper alloy /Tin plating | 1piece | Lead free | YES |



GT17VC-8DP-DS



10-Conductor Right-angle Connectors

◆By using each of the two differently keyed types of housing for different purposes, incorrect insertion can be prevented.



◆The product comprises 6 parts.

(Housing, insulator, outer terminal, shield plate, retainer, and center terminal)

● Housing

| Part Number | HRS No. | Material / Finish or Color | Packaging | Remarks | RoHS |
|----------------|------------|----------------------------|-----------|---------|------|
| GT17V-10DS-HU | 767-0039-1 | PBT / Light Gray | 1piece | — | — |
| GT17VA-10DS-HU | 767-0040-0 | PBT / Black | 1piece | — | YES |

● Insulator

| Part Number | HRS No. | Material / Finish or Color | Packaging | Remarks | RoHS |
|---------------|------------|----------------------------|-----------|---------|------|
| GT17V-10DS-2C | 767-0036-3 | PBT / Dark Gray | 1piece | — | YES |

● Outer terminal

| Part Number | HRS No. | Material / Finish or Color | Packaging | Remarks | RoHS |
|----------------|------------|----------------------------|-----------|--|------|
| GT17V-10DS-8CF | 767-0037-6 | Copper alloy / Tin plating | 1piece | Lead free, Conductor Size 7.5 to 8.0mm | YES |

● Shield plate

| Part Number | HRS No. | Material / Finish or Color | Packaging | Remarks | RoHS |
|---------------|------------|----------------------------|-----------|-----------|------|
| GT17V-10DS-SC | 767-0038-9 | Copper alloy / Tin plating | 1piece | Lead free | YES |

● Retainer

| Part Number | HRS No. | Material / Finish or Color | Packaging | Remarks | RoHS |
|--------------|------------|----------------------------|-----------|---------|------|
| GT17V-10DS-R | 767-0041-3 | PBT / Dark Gray | 1piece | — | YES |

● Center terminal

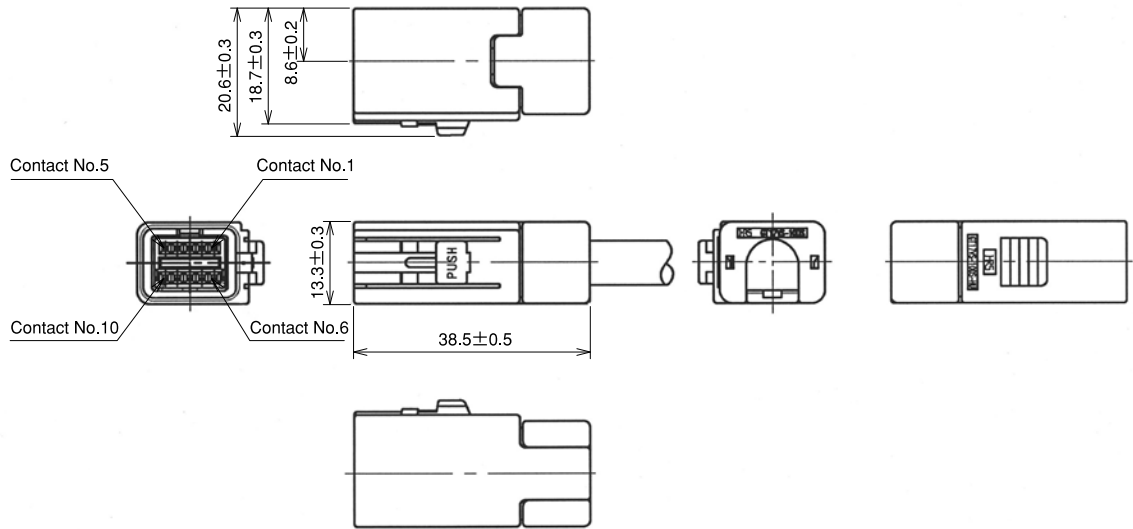
Used with 6, 8, and 10 conductor cable

◆ Mating Table

| Color | Cable side connector | Board connector |
|-------|----------------------|---|
| Gray | GT17V-10DS-HU | GT17V-10DP-DS(70)(Cable exit direction, up side from mounting side) |
| | | GT17V-10DP-DSA(70)(straight DIP type) |
| | | GT17V-10DP-DS-SB(70)(Cable exit direction, up side from mounting side) |
| Black | GT17VA-10DS-HU | GT17VA-10DP-DS(70)(Cable exit direction, up side from mounting side) |
| | | GT17VA-10DP-DSA(70)(straight DIP type) |
| | | GT17VA-10DP-DS-SB(70)(Cable exit direction, up side from mounting side) |

10-Conductor Straight Connectors

◆By using each of the two differently keyed types of housing for different purposes, incorrect insertion can be prevented.



◆The product comprises 6 parts.

(Housing, insulator, outer terminal, shield plate, retainer, and center terminal)

● Housing

| Part Number | HRS No. | Material / Finish or Color | Packaging | Remarks | RoHS |
|-----------------|------------|----------------------------|-----------|---------|------|
| GT17VS-10DS-HU | 767-0061-0 | PBT / Light Gray | 1piece | — | YES |
| GT17VSA-10DS-HU | 767-0062-3 | PBT / Black | 1piece | — | |

● Insulator

| Part Number | HRS No. | Material / Finish or Color | Packaging | Remarks | RoHS |
|---------------|------------|----------------------------|-----------|---------|------|
| GT17V-10DS-2C | 767-0036-3 | PBT / Dark Gray | 1piece | — | YES |

● Outer terminal

| Part Number | HRS No. | Material / Finish or Color | Packaging | Remarks | RoHS |
|-----------------|------------|----------------------------|-----------|--|------|
| GT17VS-10DS-8CF | 767-0059-9 | Copper alloy / Tin plating | 1piece | Lead free, Conductor Size 7.5 to 8.0mm | YES |

● Shield plate

| Part Number | HRS No. | Material / Finish or Color | Packaging | Remarks | RoHS |
|----------------|------------|----------------------------|-----------|-----------|------|
| GT17VS-10DS-SC | 767-0060-8 | Copper alloy / Tin plating | 1piece | Lead free | YES |

● Retainer

| Part Number | HRS No. | Material / Finish or Color | Packaging | Remarks | RoHS |
|---------------|------------|----------------------------|-----------|---------|------|
| GT17VS-10DS-R | 767-0063-6 | PBT / Dark Gray | 1piece | — | YES |

● Center terminal

Used with 6,8, and 10 conductor cable

◆ Mating Table

| Color | Cable side connector | Boad connector |
|-------|----------------------|-----------------------|
| Gray | GT17VS-10DS-HU | GT17V-10DP-DS(70) |
| | | GT17V-10DP-DSA(70) |
| | | GT17V-10DP-DS-SB(70) |
| Black | GT17VSA-10DS-HU | GT17VA-10DP-DS(70) |
| | | GT17VA-10DP-DSA(70) |
| | | GT17VA-10DP-DS-SB(70) |

10-Conductor Printed Circuit Board Connectors

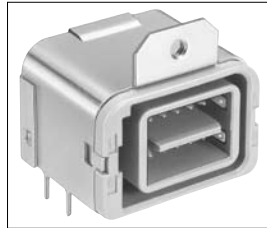
◆By using each of the two differently keyed types of housing for different purposes, incorrect insertion can be prevented.

●Right-angle type

| Part Number | HRS No. | Material / Finish or Color | Packaging | Remarks | RoHS |
|----------------------|---------------|--|-----------|----------------------------------|------|
| GT17V-10DP-DS(70) | 767-0034-8-70 | Housing: PBT/Light Gray Center terminal: Brass /Tin plating Outer tube terminal: Copper alloy /Tin plating | 1piece | — | YES |
| GT17V-10DP-DS-SB(70) | 767-0069-2-70 | Housing: PBT/Light Gray Center terminal/Shield case: Brass /Tin plating Outer tube terminal: Copper alloy /Tin plating | 1piece | Products with enhanced shielding | |

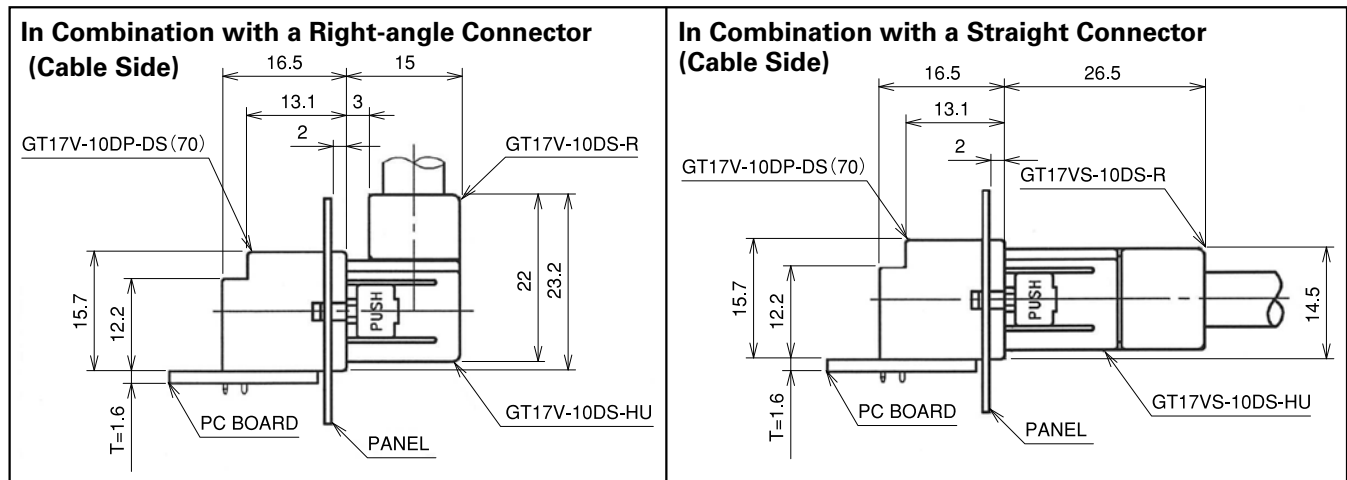


GT17V-10DP-DS(70)



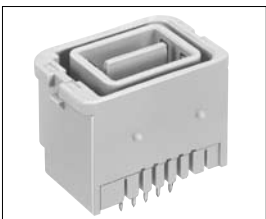
GT17V-10DP-DS-SB(70)

(with enhanced shielding type)



●Straight-type

| Part Number | HRS No. | Material / Finish or Color | Packaging | Remarks | RoHS |
|--------------------|---------------|--|-----------|---------|------|
| GT17V-10DP-DSA(70) | 767-0067-7-70 | Housing: PBT/Black Center terminal: Brass /Tin plating Outer terminal: Copper alloy /Tin plating | 1piece | — | YES |
| GT17V-10DP-DSA-SB | 767-0154-0 | Housing: PBT/Black Center terminal: Brass /Tin plating Outer terminal: Copper alloy /Tin plating | 1piece | — | |

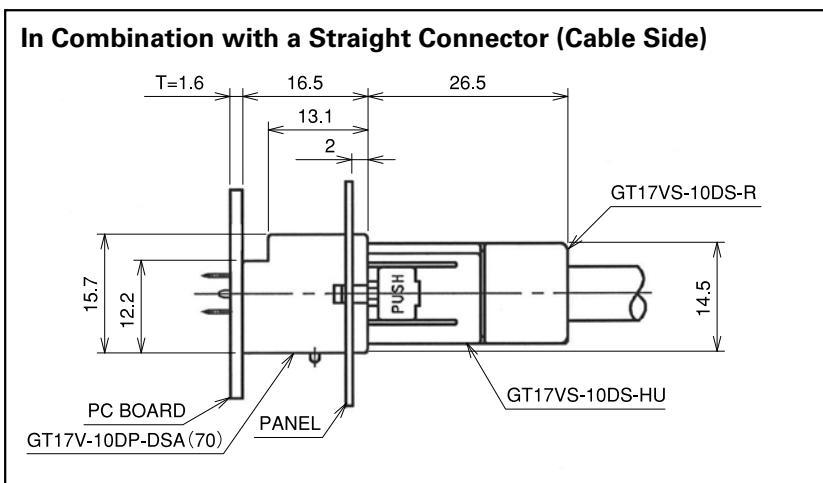


GT17V-10DP-DSA(70)



(with enhanced shielding type)

GT17V-10DP-DSA-SB



10-Conductor Printed Circuit Board Connectors

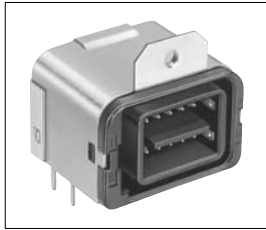
By using each of the two differently keyed types of housing for different purposes, incorrect insertion can be prevented.

● Right-angle type

| Part Number | HRS No. | Material / Finish or Color | Packaging | Remarks | RoHS |
|-----------------------|---------------|--|-----------|----------------------------------|------|
| GT17VA-10DP-DS(70) | 767-0035-0-70 | Housing: PBT/Black Center terminal: Brass /Tin plating Outer terminal: Copper alloy /Tin plating | 1piece | — | YES |
| GT17VA-10DP-DS-SB(70) | 767-0070-1-70 | Housing: PBT/Black Center terminal/Shield case: Brass /Tin plating Outer terminal: Copper alloy /Tin plating | 1piece | Products with enhanced shielding | |

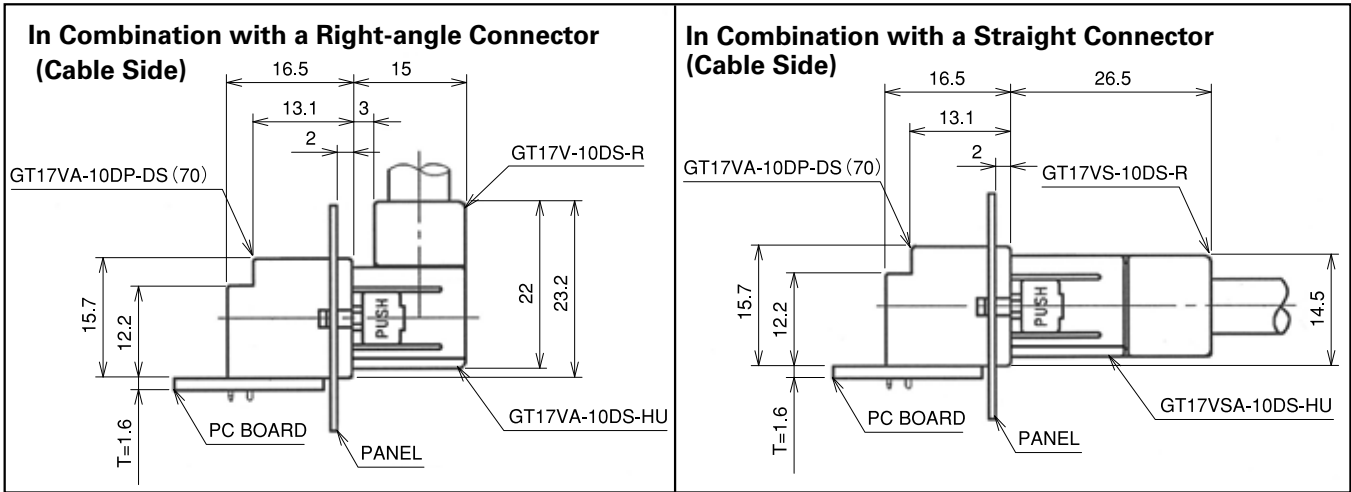


GT17VA-10DP-DS(70)



GT17VA-10DP-DS-SB(70)

(with enhanced shielding type)



● Straight-type

| Part Number | HRS No. | Material / Finish or Color | Packaging | Remarks | RoHS |
|--------------------|---------------|--|-----------|---------|------|
| GT17V-10DP-DSA(70) | 767-0067-0-70 | Housing: PBT/Black Center terminal: Brass /Tin plating Outer terminal: Copper alloy /Tin plating | 1piece | — | YES |
| GT17V-10DP-DSA-SB | 767-0154-0-00 | Housing: PBT/Black Center terminal/Shield case: Brass /Tin plating Outer terminal: Copper alloy /Tin plating | 1piece | — | |



GT17VA-10DP-DSA(70)



(with enhanced shielding type)

GT17VA-10DP-DSA-SB



10-Conductor Inline Connectors



◆The product comprises 6 parts.
(Housing, insulator case, outer terminal, shield plate, retainer, and center terminal)

●Housing

| Part Number | HRS No. | Material / Finish or Color | Packaging | Remarks | RoHS |
|-----------------|------------|----------------------------|-----------|---------|------|
| GT17VSN-10DP-HU | 767-0115-8 | PBT / Light Gray | 1piece | — | YES |

●Insulator

| Part Number | HRS No. | Material / Finish or Color | Packaging | Remarks | RoHS |
|---------------|------------|----------------------------|-----------|---------|------|
| GT17V-10DP-2C | 767-0112-0 | PBT / Dark Gray | 1piece | — | YES |

●Outer terminal

| Part Number | HRS No. | Material / Finish or Color | Packaging | Remarks | RoHS |
|-------------------|------------|----------------------------|---------------|-----------|------|
| GT17VS-10DP-5.2CF | 767-0114-5 | Copper alloy / Tin plating | 1,224pcs/pack | Lead free | YES |
| GT17VS-10DP-8CF | 767-0130-1 | Copper alloy / Tin plating | 1,224pcs/pack | Lead free | |

●Shield plate

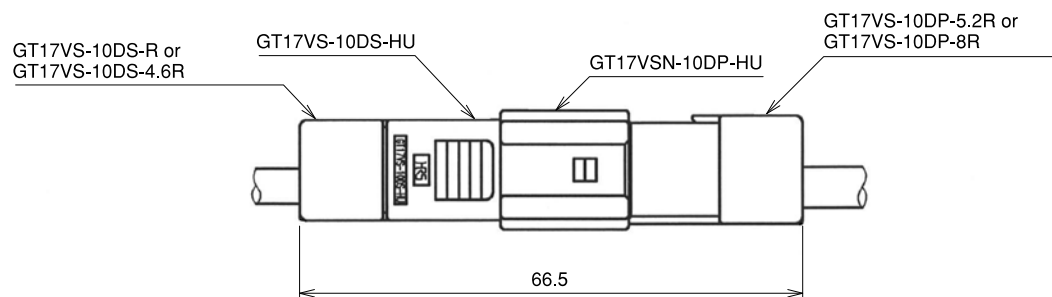
| Part Number | HRS No. | Material / Finish or Color | Packaging | Remarks | RoHS |
|----------------|------------|----------------------------|---------------|-----------|------|
| GT17VS-10DP-SC | 767-0113-2 | Copper alloy / Tin plating | 1,224pcs/pack | Lead free | YES |

●Retainer

| Part Number | HRS No. | Material / Finish or Color | Packaging | Remarks | RoHS |
|------------------|------------|----------------------------|-----------|---------|------|
| GT17VS-10DP-5.2R | 767-0111-7 | PBT / Dark Gray | 1piece | — | YES |
| GT17VS-10DP-8R | 767-0131-4 | PBT / Dark Gray | 1piece | — | |

●Center terminal

Used with 6,8, and 10 conductor cable



◆Fully mated connector assemblies

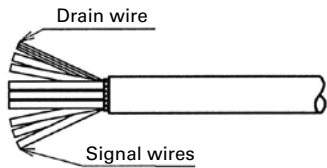
GT 5
 GT 13
 GT 16
 POSG
 GT 11
GT 17
 GT 19
 GT 26
 GT 27
 GT 3
 GT 6W
 GT 7
 GT 10
 GT 18W
 GT 15
 GT 8
 GT 9
 GT 25
 GT 22

◆Wirina Method

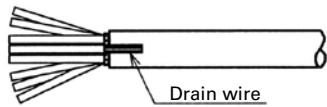
① Strip the Jacket.



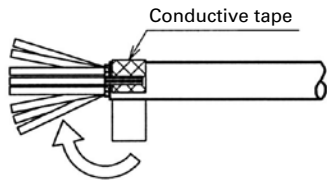
② Cut the shield and intermediate material to expose the wire and braid.



③ Bend back the drain wire over the Jacket.



④ Wrap with conductive tape.



⑤ Strip the wire leads.



⑥ Crimp the center terminals.



⑦ Insert the center terminals into the insulator.



GT17V-10DS-HU Harness Finish

⑧ Insert the insulator into the Outer terminal.



⑨ Insert the Shield Cover.



⑩ Fold back the Outer terminal.



⑪ Crimp the Outer terminal.



⑫ Insert the Outer terminal into the housing.



⑬ Insert the retainer.



⑭ Completion



*Crimp height setting tables are available for each cable type. Please contact your nearest Hirose Electric account representative. Different cables will require different crimp height settings.

GT17VS-10DS-HU Harness Finish

- ⑧ Insert the insulator into the Outer terminal.



- ⑨ Crimp the Outer terminal.



- ⑩ Insert the Shield Cover.



- ⑪ Insert the Outer terminal into the housing.



- ⑫ Insert the retainer.



- ⑬ Completion



GT 5

GT 13

GT 16

PO5G

GT 11

GT 17

GT 19

GT 26

GT 27

GT 3

GT 6W

GT 7

GT 10

GT 18W

GT 15

GT 8

GT 9

GT 25

GT 22

6-Conductor In-line Type (Waterproof Type)

F Connectors



◆The product comprises 6 parts.
(Housing, insulator, outer terminal, shield plate, and center terminal)

●Housing

| Part Number | HRS No. | Material / Finish or Color | Packaging | RoHS |
|-------------|------------|----------------------------|-----------|------|
| GT17W-6S-HU | 767-0214-0 | PBT / Light Gray | 1piece | YES |

●Insulator

| Part Number | HRS No. | Material / Finish or Color | Packaging | RoHS |
|--------------|------------|----------------------------|-----------|------|
| GT17V-6DS-2C | 767-0026-0 | PBT / Dark Gray | 1piece | YES |

●Outer terminal

| Part Number | HRS No. | Material / Finish or Color | Packaging | RoHS |
|----------------|------------|----------------------------|-----------|------|
| GT17VS-6DS-5CF | 767-0050-4 | Copper alloy /Tin plating | 1piece | YES |

●Shield plate

| Part Number | HRS No. | Material / Finish or Color | Packaging | RoHS |
|---------------|------------|----------------------------|-----------|------|
| GT17VS-6DS-SC | 767-0049-5 | Copper alloy /Tin plating | 1piece | YES |

●Shield plate

| Part Number | HRS No. | Material / Finish or Color | Packaging | RoHS |
|--------------|------------|-----------------------------------|-----------|------|
| GT17W-1P/S-R | 767-0216-5 | PBT / Dark Gray Silicon/Whight | 1piece | YES |

●Center terminal

Used with 6,8 and 10.

M Connectors



◆The product comprises 6 parts.

(Housing, insulator, outer terminal, shield plate, and center terminal)

● Housing

| Part Number | HRS No. | Material / Finish or Color | Packaging | RoHS |
|--------------|------------|------------------------------------|-----------|------|
| GT17W-6PP/HU | 767-0215-2 | PBT / Light Gray Silicon/Whight | 1piece | YES |

● Insulator

| Part Number | HRS No. | Material / Finish or Color | Packaging | RoHS |
|--------------|------------|----------------------------|-----------|------|
| GT17V-6DP-2C | 767-0078-3 | PBT / Dark Gray | 1piece | YES |

● Outer terminal

| Part Number | HRS No. | Material / Finish or Color | Packaging | RoHS |
|----------------|------------|----------------------------|-----------|------|
| GT17VS-6DP-5CF | 767-0080-5 | Copper alloy /Tin plating | 1piece | YES |

● Shield plate

| Part Number | HRS No. | Material / Finish or Color | Packaging | RoHS |
|---------------|------------|----------------------------|-----------|------|
| GT17VS-6DP-SC | 767-0079-6 | Copper alloy /Tin plating | 1piece | YES |

● Shield plate

| Part Number | HRS No. | Material / Finish or Color | Packaging | RoHS |
|--------------|------------|-----------------------------------|-----------|------|
| GT17W-1P/S-R | 767-0216-5 | PBT / Dark Gray Silicon/Whight | 1piece | YES |

● Center terminal

Used with 6,8 and 10.

GT 5

GT 13

GT 16

PO5G

GT 11

GT 17

GT 19

GT 26

GT 27

GT 3

GT 6W

GT 7

GT 10

GT 18W

GT 15

GT 8

GT 9

GT 25

GT 22

4-Conductor Right-angle Connector(1 Row type)



Key variation



◆The product comprises 5 parts.
(Housing, insulator, outer terminal, retainer, center terminal)

●Housing

| Part Number | HRS No. | Material / Finish or Color | Packaging | Remarks | RoHS |
|-------------|------------|----------------------------|-----------|---------|------|
| GT17H-4S-HU | 767-0085-9 | PBT / Dark Gray | 1piece | — | YES |

●Insulator

| Part Number | HRS No. | Material / Finish or Color | Packaging | Remarks | RoHS |
|----------------|------------|----------------------------|-----------|---------|------|
| GT17H-4S-2C | 767-0084-6 | PBT / Light Gray | 1piece | — | YES |
| GT17H-4S-2C(A) | 767-0167-1 | PBT / Brown | 1piece | | |
| GT17H-4S-2C(B) | 767-0168-4 | PBT / Green | 1piece | | |
| GT17H-4S-2C(C) | 767-0169-7 | PBT /Blue | 1piece | | |

●Outer terminal

| Part Number | HRS No. | Material / Finish or Color | Packaging | Remarks | RoHS |
|--------------|------------|----------------------------|-----------|---------|------|
| GT17H-4S-5CF | 767-0027-2 | Copper alloy /Tin plating | 1piece | — | YES |

●Retainer

| Part Number | HRS No. | Material / Finish or Color | Packaging | Remarks | RoHS |
|-------------|------------|----------------------------|-----------|---------|------|
| GT17H-4S-R | 767-0086-1 | PBT / Dark Gray | 1piece | — | YES |

●Center terminal

| Part Number | HRS No. | Material / Finish or Color | Conductor Size(AWG) | Remarks | RoHS |
|-----------------|---------------|------------------------------|---------------------|-----------------|------|
| GT8-2428SCF(70) | 758-0001-8-70 | Phosphor Bronze /Tin plating | #24 to #28 | 10,000 pcs/reel | YES |

◆Mating Table

| Color | Cable side connector | Board connectors | | |
|-------|--------------------------|------------------|-----------------|------------------|
| | | SMT Type | DIP Type | |
| | | | Angle Type | Straight Type |
| Gray | GT17H-4S-ASSY | GT17H-4P-2H | GT17H-4P-2DS | GT17H-4P-2DSA |
| Brown | GT17H-4S-ASSY(Key TypeA) | GT17H-4P-2H(A) | GT17H-4P-2DS(A) | GT17H-4P-2DSA(A) |
| Green | GT17H-4S-ASSY(Key TypeB) | GT17H-4P-2H(B) | GT17H-4P-2DS(B) | GT17H-4P-2DSA(B) |
| Blue | GT17H-4S-ASSY(Key TypeC) | GT17H-4P-2H(C) | GT17H-4P-2DS(C) | GT17H-4P-2DSA(C) |

◆ Wiring Method (4-Conductor Right-angle 1 Row Type)

① Strip Jacket.



② Turn Outer shield to Backward.



③ Cover the cable by conductive tape.



④ Cut extra outer shield.



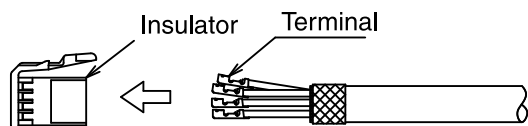
⑤ Strip Jacket.



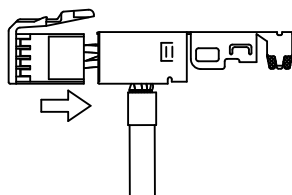
⑥ Crimp the terminal.



⑦ Insert terminal to the insulator.



⑧



⑨ Bent the outer tube terminal 90.



⑩ Crimp the outer tube terminal.



⑪ Insert the assembled outer tube terminal to the housing.



⑫ Set the Retainer.



* Concerning the crimp height of terminals, crimp height settings have been prepared for each type of cable. Please contact a Hirose Electric account representative for further information.
Please note that new crimp height settings will be made for new cables and that this might take several days.
terminal insertion jig(GT17-45/PR-MD)

GT 5

GT 13

GT 16

PO5G

GT 11

GT 17

GT 19

GT 26

GT 27

GT 3

GT 6W

GT 7

GT 10

GT 18W

GT 15

GT 8

GT 9

GT 25

GT 22

Coaxial cable connection of Antennas, Sensors, and Communication Trunk Lines

4-Conductor Straight Connectors (1 Row type)



Key variation



◆The product comprises 4 parts.
(Housing, insulator, outer terminal, center terminal)

●Housing

| Part Number | HRS No. | Material / Finish or Color | Packaging | RoHS |
|--------------|------------|----------------------------|-----------|------|
| GT17HS-4S-HU | 767-0133-0 | PBT / Dark Gray | 1piece | YES |

●Insulator

| Part Number | HRS No. | Material / Finish or Color | Packaging | RoHS |
|----------------|------------|----------------------------|-----------|------|
| GT17H-4S-2C | 767-0084-6 | PBT / Light Gray | 1piece | YES |
| GT17H-4S-2C(A) | 767-0167-1 | PBT / Brown | 1piece | |
| GT17H-4S-2C(B) | 767-0168-4 | PBT / Green | 1piece | |
| GT17H-4S-2C(C) | 767-0169-7 | PBT /Blue | 1piece | |

●Outer terminal

| Part Number | HRS No. | Material / Finish or Color | Packaging | RoHS |
|---------------|------------|----------------------------|-----------|------|
| GT17HS-4S-5CF | 767-0135-5 | Copper alloy /Tin plating | 1piece | YES |

●Center terminal

| Part Number | HRS No. | Material / Finish or Color | Conductor Size(AWG) | Remarks | RoHS |
|-----------------|---------------|------------------------------|---------------------|-----------------|------|
| GT8-2428SCF(70) | 758-0001-8-70 | Phosphor Bronze /Tin plating | #24 to #28 | 10,000 pcs/reel | YES |

◆Mating Table

| Color | Cable side connector | Board connector | | |
|-------|--------------------------|-----------------|-----------------|------------------|
| | | SMT Type | DIPType | |
| | | | Angle Type | Straight Type |
| Gray | GT17H-4S-ASSY | GT17H-4P-2H | GT17H-4P-2DS | GT17H-4P-2DSA |
| Brown | GT17H-4S-ASSY(Key TypeA) | GT17H-4P-2H(A) | GT17H-4P-2DS(A) | GT17H-4P-2DSA(A) |
| Green | GT17H-4S-ASSY(Key TypeB) | GT17H-4P-2H(B) | GT17H-4P-2DS(B) | GT17H-4P-2DSA(B) |
| Blue | GT17H-4S-ASSY(Key TypeC) | GT17H-4P-2H(C) | GT17H-4P-2DS(C) | GT17H-4P-2DSA(C) |

◆ Wiring Method (4-Conductor Straight 1 RowType)

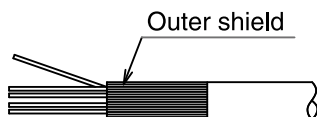
- ① Insert housing to the cable.



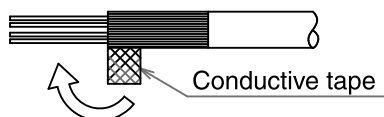
- ② Strip Jacket.



- ③ Turn Outer shield to backward.



- ④ Cover the cable by conductive tape.



- ⑤ Cut extra outer shield.



- ⑥ Strip Jacket.



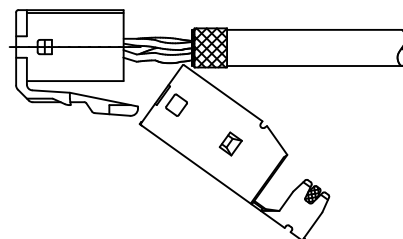
- ⑦ Crimp the terminal.



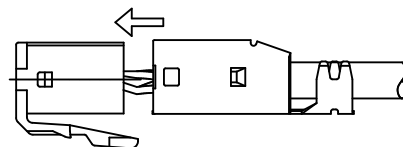
- ⑧ Insert terminal to the Insulator.



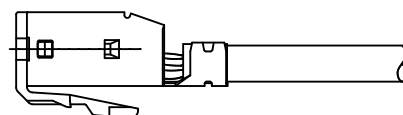
- ⑨ Set outer tube terminal to the insulator.



- ⑩ Set outer tube terminal to the insulator.



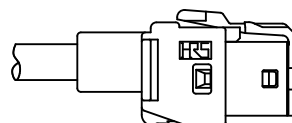
- ⑪ Crimp outertube terminal.



- ⑫ Slide up housing to outer tube terminal.



- ⑬ Finish.



* Concerning the crimp height of terminals, crimp height settings have been prepared for each type of cable. Please contact a Hirose Electric account representative for further information.
Please note that new crimp height settings will be made for new cables and that this might take several days.
terminal insertion jig(GT17-45/PR-MD)

4-Conductor In-line Connectors (1 Row type)



◆The product comprises 6 parts.
(Housing, insulator, outer terminal, shield plate, retainer, and center terminal)

●Housing

| Part Number | HRS No. | Material / Finish or Color | Packaging | RoHS |
|---------------|------------|----------------------------|-----------|------|
| GT17HSP-4P-HU | 767-0158-0 | PBT / Light Gray | 1piece | YES |

●Insulator

| Part Number | HRS No. | Material / Finish or Color | Packaging | RoHS |
|--------------|------------|----------------------------|-----------|------|
| GT17HS-4P-2C | 767-0155-2 | PBT / Light Gray | 1piece | YES |

●Outer terminal

| Part Number | HRS No. | Material / Finish or Color | Packaging | RoHS |
|---------------|------------|----------------------------|-------------|------|
| GT17HS-4P-5CF | 767-0156-5 | Copper alloy /Tin plating | 800pcs/reel | YES |

●Shield

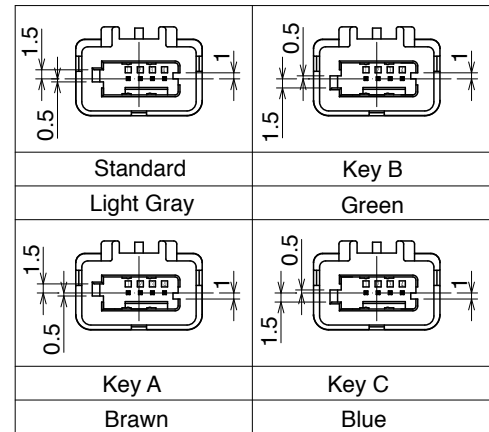
| Part Number | HRS No. | Material / Finish or Color | Packaging | RoHS |
|--------------|------------|----------------------------|-----------|------|
| GT17HS-4P-SC | 767-0157-8 | Copper alloy /Tin plating | 1piece | YES |

●Retainer

| Part Number | HRS No. | Material / Finish or Color | Packaging | RoHS |
|-------------|------------|----------------------------|-----------|------|
| GT17HS-4P-R | 767-0159-3 | PBT / Dark Gray | 1piece | YES |

●Center terminal

| Part Number | HRS No. | Material / Finish or Color | Conductor Size(AWG) | Remarks | RoHS |
|--------------|------------|------------------------------|---------------------|-----------------|------|
| GT8E-2428PCF | 758-0067-6 | Phosphor Bronze /Tin plating | #24 to #28 | 10,000 pcs/reel | YES |



◆Mating Table

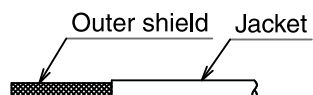
| Color | GT17HS-4Pos In-line connector | Cable side F connector |
|-------|-------------------------------|--------------------------|
| Gray | GT17HSP-4P-ASSY | GT17H-4S-ASSY |
| Brown | GT17HSP-4P-ASSY(Key TypeA) | GT17H-4S-ASSY(Key TypeA) |
| Green | GT17HSP-4P-ASSY(Key TypeB) | GT17H-4S-ASSY(Key TypeB) |
| Blue | GT17HSP-4P-ASSY(Key TypeC) | GT17H-4S-ASSY(Key TypeC) |

◆ Wiring Method (4-Conductor In-line 1 Row Type)

- ① Insert retainer to the cable.



- ② Strip Jacket.



- ③ Turn Outer shield to backward.



- ④ Cover the cable by conductive tape.



- ⑤ Cut extra outer shield.



- ⑥ Strip Jacket.



- ⑦ Crimp the terminal.



- ⑧ Insert terminal to the Insulator.



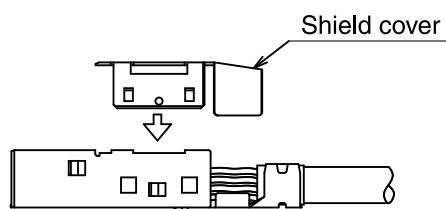
- ⑨ Set the insulator to the outer tube terminal.



- ⑩ Crimp the outertube terminal.



- ⑪ Set the shield cover to the outer tube terminal.



- ⑫ Insert the outer tube terminal to the housing.



- ⑬ Slide up the retainer to the housing.



- ⑭ Finish



* Concerning the crimp height of terminals, crimp height settings have been prepared for each type of cable. Please contact a Hirose Electric account representative for further information.
Please note that new crimp height settings will be made for new cables and that this might take several days.

4-Conductor Right-angle Connectors (2x2 type)



Key variation



◆The product comprises 5 parts.
(Housing, insulator, outer terminal, retainer, center terminal)

●Housing

| Part Number | HRS No. | Material / Finish or Color | Packaging | RoHS |
|---------------|------------|----------------------------|-----------|------|
| GT17HN-4DS-HU | 767-0141-8 | PBT / Dark Gray | 1piece | YES |

●Insulator

| Part Number | HRS No. | Material / Finish or Color | Packaging | RoHS |
|------------------|------------|----------------------------|-----------|------|
| GT17HN-4DS-2C(A) | 767-0140-5 | PBT / Brown | 1piece | YES |
| GT17HN-4DS-2C(B) | 767-0147-4 | PBT / Green | 1piece | |
| GT17HN-4DS-2C(C) | 767-0148-7 | PBT /Blue | 1piece | |

●Outer terminal

| Part Number | HRS No. | Material / Finish or Color | Packaging | RoHS |
|----------------|------------|----------------------------|-----------|------|
| GT17HN-4DS-5CF | 767-0142-0 | Copper alloy /Tin plating | 1piece | YES |

●Retainer

| Part Number | HRS No. | Material / Finish or Color | Packaging | RoHS |
|--------------|------------|----------------------------|-----------|------|
| GT17HN-4DS-R | 767-0143-3 | PBT / Dark Gray | 1piece | YES |

●Center terminal

| Part Number | HRS No. | Material / Finish or Color | Conductor Size(AWG) | Remarks | RoHS |
|-----------------|---------------|------------------------------|---------------------|-----------------|------|
| GT8-2428SCF(70) | 758-0001-8-70 | Phosphor Bronze /Tin plating | #24 to #28 | 10,000 pcs/reel | YES |

◆Mating Table

| Color | Cable side connector | Board connector | |
|-------|----------------------------|---------------------|-----------------|
| | | Angle Type | Straight Type |
| Brown | GT17HN-4DS-ASSY(Key TypeA) | GT17HN-4DP-2H(A) | GT17HJ-4DP-2DSA |
| Green | GT17HN-4DS-ASSY(Key TypeB) | GT17HN-4DP-2H(B) | |
| | | GT17HN-4/4DP-2H(BC) | |
| Blue | GT17HN-4DS-ASSY(Key TypeC) | GT17HN-4DP-2H(C) | |
| | | GT17HN-4/4DP-2H(BC) | |

◆ Wiring Method (4-Conductor Right-angle 2x2 Type)

① Strip Jacket.



② Turn Outer shield to backward.



③ Cover the cable by conductive tape.



④ Cut extra outer shield.



⑤ Strip Jacket.



⑥ Crimp the terminal.



⑦ Insert terminal to the Insulator.



⑧ Insert insulator to the Outer tube terminal.



⑨ Bent the outer tube terminal 90.



⑩ Crimp the outer tube terminal.



⑪ Insert the assembled outer tube terminal to the housing.



⑫ Set the Retainer.



⑬ Finish.



* Concerning the crimp height of terminals, crimp height settings have been prepared for each type of cable. Please contact a Hirose Electric account representative for further information.
Please note that new crimp height settings will be made for new cables and that this might take several days.

4-Conductor Straight Connectors (2x2 type)



Key variation



◆The product comprises 4 parts.
(Housing, insulator, outer terminal, center terminal)

●Housing

| Part Number | HRS No. | Material / Finish or Color | Packaging | RoHS |
|----------------|------------|----------------------------|-----------|------|
| GT17HNS-4DS-HU | 767-0150-9 | PBT / Dark Gray | 1piece | YES |

●Insulator

| Part Number | HRS No. | Material / Finish or Color | Packaging | RoHS |
|------------------|------------|----------------------------|-----------|------|
| GT17HN-4DS-2C(A) | 767-0140-5 | PBT / Brown | 1piece | YES |
| GT17HN-4DS-2C(B) | 767-0147-4 | PBT / Green | 1piece | |
| GT17HN-4DS-2C(C) | 767-0148-7 | PBT /Blue | 1piece | |

●Outer terminal

| Part Number | HRS No. | Material / Finish or Color | Packaging | RoHS |
|-----------------|------------|----------------------------|-----------|------|
| GT17HNS-4DS-5CF | 767-0151-1 | Copper alloy /Tin plating | 1piece | YES |

●Center terminal

| Part Number | HRS No. | Material / Finish or Color | Conductor Size(AWG) | Remarks | RoHS |
|-----------------|---------------|------------------------------|---------------------|-----------------|------|
| GT8-2428SCF(70) | 758-0001-8-70 | Phosphor Bronze /Tin plating | #24 to #28 | 10,000 pcs/reel | YES |

◆Mating Table

| Color | Cable side connector | Board connector | |
|-------|-----------------------------|---------------------|-----------------|
| | | Angle Type | Straight Type |
| Brown | GT17HNS-4DS-ASSY(Key TypeA) | GT17HN-4DP-2H(A) | GT17HJ-4DP-2DSA |
| Green | GT17HNS-4DS-ASSY(Key TypeB) | GT17HN-4DP-2H(B) | |
| | | GT17HN-4/4DP-2H(BC) | |
| Blue | GT17HNS-4DS-ASSY(Key TypeC) | GT17HN-4DP-2H(C) | |
| | | GT17HN-4/4DP-2H(BC) | |

◆ Wiring Method (4-Conductor Straight 2x2 Type)

- ① Insert housing to the cable.



- ② Strip Jacket.



- ③ Turn Outer shield to backward.



- ④ Cover the cable by conductive tape.



- ⑤ Cut extra outer shield.



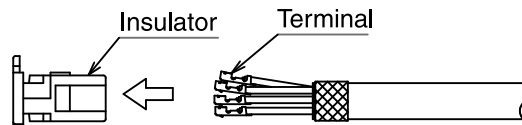
- ⑥ Strip Jacket.



- ⑦ Crimp the terminal.



- ⑧ Insert terminal to the Insulator.



- ⑨ Set outer tube terminal to the insulator.



- ⑩ Set outer tube terminal to the insulator.



- ⑪ Crimp outertube terminal.



- ⑫ Slide up housing to outer tube terminal.

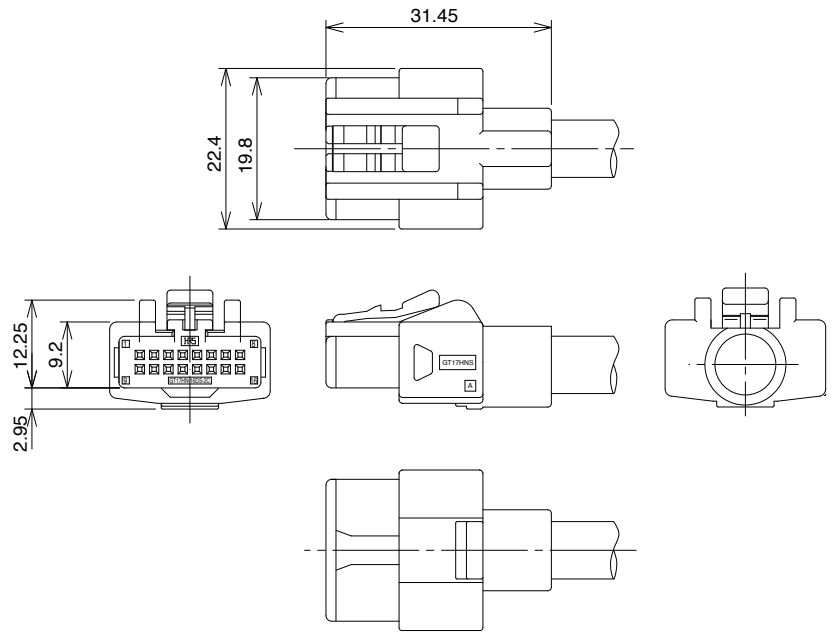


- ⑬ Finish.



* Concerning the crimp height of terminals, crimp height settings have been prepared for each type of cable. Please contact a Hirose Electric account representative for further information.
Please note that new crimp height settings will be made for new cables and that this might take several days.

16-Conductor Straight Connectors



◆The product comprises 4 parts.
(Housing, insulator, outer terminal, and center terminal)

●Housing

| Part Number | HRS No. | Material / Finish or Color | Packaging | RoHS |
|-----------------|------------|----------------------------|-----------|------|
| GT17HNS-16DS-HU | 767-0164-3 | PBT / Dark Gray | 1piece | YES |

●Insulator

| Part Number | HRS No. | Material / Finish or Color | Packaging | RoHS |
|----------------|------------|----------------------------|-----------|------|
| GT17HN-16DS-2C | 767-0162-8 | PBT / Light Gray | 1piece | YES |

●Outer terminal

| Part Number | HRS No. | Material / Finish or Color | Packaging | RoHS |
|------------------|------------|----------------------------|-----------|------|
| GT17HNS-16DS-8CF | 767-0165-6 | Copper alloy / Tin plating | 1piece | YES |

●Center terminal

| Part Number | HRS No. | Material / Finish or Color | Conductor Size(AWG) | Remarks | RoHS |
|-----------------|---------------|-------------------------------|---------------------|-----------------|------|
| GT8-2428SCF(70) | 758-0001-8-70 | Phosphor Bronze / Tin plating | #24 to #28 | 10,000 pcs/reel | YES |

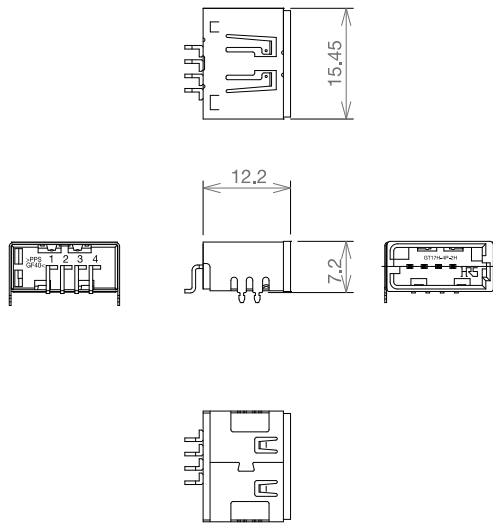
◆Mating Table

| |
|-----------------|
| Board connector |
| GT17HN-16DP-2H |

4-Conductor Board Connectors (1 Row type, Right-angle SMT Type, Right side key)



GT17H-4P-2H



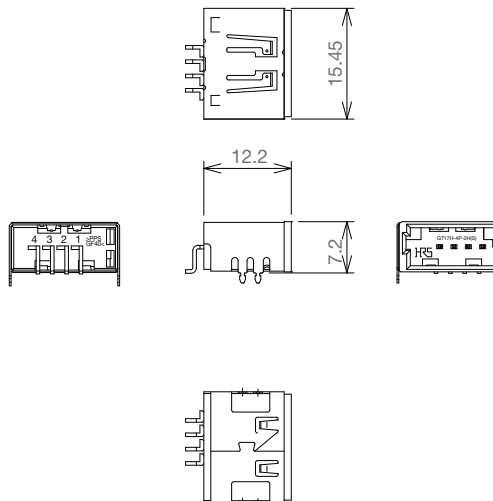
| | |
|------------------------|----------------|
| | |
| Standard Light Gray | Key B Green |
| | |
| Key A Brown | Key C Blue |

| Part Number | HRS No. | Color | Material / Finish | Packaging | RoHS |
|----------------|------------|------------|---|--------------|------|
| GT17H-4P-2H | 767-0083-3 | Light Gray | Housing:PPS Center terminal:Brass/Tin plating Outer terminal:Copper alloy/Tin plating | 400 pcs/reel | YES |
| GT17H-4S-2C(A) | 767-0167-1 | Brown | | | |
| GT17H-4S-2C(B) | 767-0168-4 | Green | | | |
| GT17H-4S-2C(C) | 767-0169-7 | Blue | | | |

4-Conductor SMT Connector(1 Row type, Left side key)



GT17HR-4P-2H



| | |
|------------------------|----------------|
| | Planning |
| Standard Light Gray | Key B Green |
| Planning | Planning |
| Key A Brown | Key C Blue |

| Part Number | HRS No. | Color | Material / Finish | Packaging | RoHS |
|--------------|------------|------------|---|--------------|------|
| GT17HR-4P-2H | 767-0146-1 | Light Gray | Housing:PPS Center terminal:Brass/Tin plating Outer terminal:Copper alloy/Tin plating | 400 pcs/reel | YES |

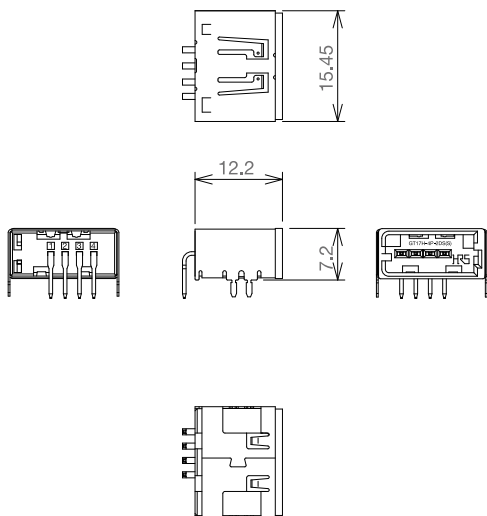
Coaxial cable connection of Antennas, Sensors, and Communication Trunk Lines

- GT 5
- GT 13
- GT 16
- PO5G
- GT 11
- GT 17
- GT 19
- GT 26
- GT 27
- GT 3
- GT 6W
- GT 7
- GT 10
- GT 18W
- GT 15
- GT 8
- GT 9
- GT 25
- GT 22

4-Conductor Printed Circuit Board Connector (1 Row, Right angle Right side key)



GT17H-4P-2DS



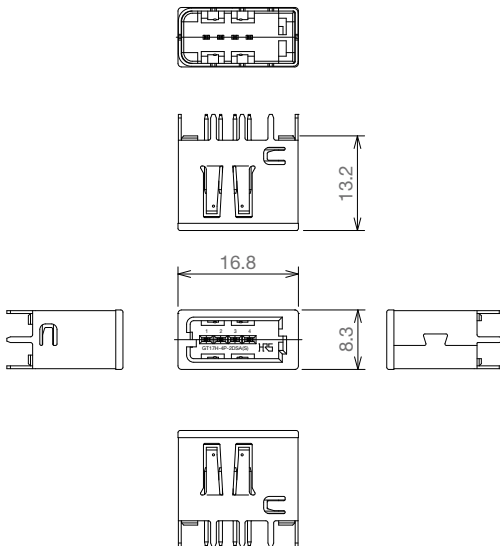
| | |
|------------------------|----------------|
| | |
| Standard Light Gray | Key B Green |
| | |
| Key A Brown | Key C Blue |

| Part Number | HRS No. | Color | Material / Finish | Packaging | RoHS |
|-----------------|------------|------------|---|--------------|------|
| GT17H-4P-2DS | 767-0166-9 | Light Gray | Housing:PPS Center terminal:Brass/Tin plating Outer terminal:Copper alloy/Tin plating | 300 pcs/reel | YES |
| GT17H-4S-2DS(A) | 767-0210-9 | Brown | | | |
| GT17H-4S-2DS(B) | 767-0211-1 | Green | | | |
| GT17H-4S-2DS(C) | 767-0212-1 | Blue | | | |

4-Conductor Printed Circuit Board Connector (1 Row type, Straight)



GT17H-4P-2DSA



| | |
|------------------------|----------------|
| | |
| Standard Light Gray | Key B Green |
| | |
| Key A Brown | Key C Blue |

| Part Number | HRS No. | Color | Material / Finish | Packaging | RoHS |
|------------------|------------|------------|---|-----------|------|
| GT17H-4P-2DSA | 767-0181-2 | Light Gray | Housing:PPS Center terminal:Brass/Tin plating Outer terminal:Copper alloy/Tin plating | 1piece | YES |
| GT17H-4P-2DSA(A) | 767-0182-5 | Brown | | | |
| GT17H-4P-2DSA(B) | 767-0183-8 | Green | | | |
| GT17H-4P-2DSA(C) | 767-0184-0 | Blue | | | |

4-Conductor SMT Connector (2x2 type)

● With M2.6 screw flange



GT17HN-4DP-2H(A)



| Part Number | HRS No. | Color | Material / Finish | Packaging | RoHS |
|------------------|------------|-------|---|-----------|------|
| GT17HN-4DP-2H(A) | 767-0144-6 | Brown | Housing:PPS | 1piece | YES |
| GT17HN-4DP-2H(B) | 767-0175-0 | Green | Center terminal:Brass/Tin plating | | |
| GT17HN-4DP-2H(C) | 767-0176-2 | Blue | Outer terminal:Copper alloy/Tin plating | | |

● With 3.2 dia. hole flange



GT17HN-4DP-2H(A)(11)



| Part Number | HRS No. | Color | Material / Finish | Packaging | RoHS |
|----------------------|---------------|-------|---|-----------|------|
| GT17HN-4DP-2H(A)(11) | 767-0144-6-11 | Brown | Housing:PPS | 1piece | YES |
| GT17HN-4DP-2H(B)(11) | 767-0175-0-11 | Green | Center terminal:Brass/Tin plating | | |
| GT17HN-4DP-2H(C)(11) | 767-0176-2-11 | Blue | Outer terminal:Copper alloy/Tin plating | | |

● Without flange



GT17HN-4DP-2H(A)(14)



| Part Number | HRS No. | Color | Material / Finish | Packaging | RoHS |
|----------------------|---------------|-------|---|--------------|------|
| GT17HN-4DP-2H(A)(14) | 767-0144-6-14 | Brown | Housing:PPS | 300 pcs/reel | YES |
| GT17HN-4DP-2H(B)(14) | 767-0175-0-14 | Green | Center terminal:Brass/Tin plating | | |
| GT17HN-4DP-2H(C)(14) | 767-0176-2-14 | Blue | Outer terminal:Copper alloy/Tin plating | | |

■ 4-Conductor Board Connector(2x2 type, Straight)



GT17HJ-4DP-2DSA



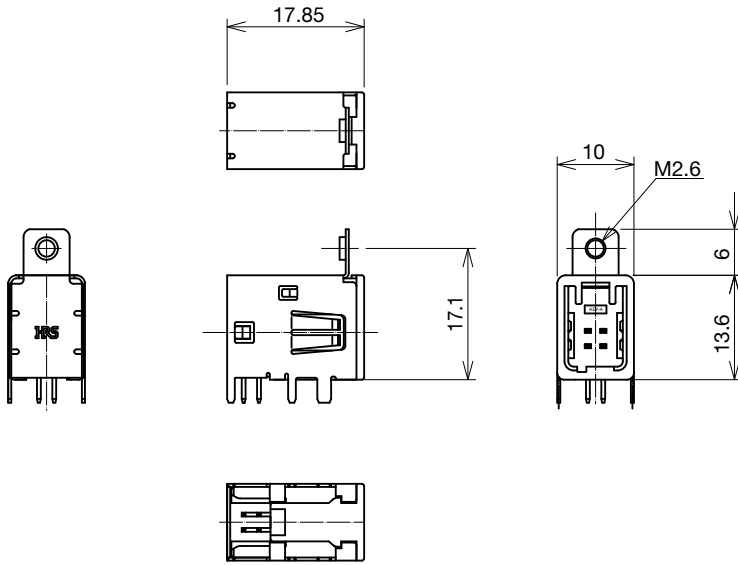
| Part Number | HRS No. | Color | Material / Finish | Packaging | RoHS |
|-----------------|------------|-------|---|-----------|------|
| GT17HJ-4DP-2DSA | 767-0160-2 | Brown | Housing:PPS Center terminal:Brass/Tin plating Outer terminal:Copper alloy/Tin plating | 1piece | YES |

4-Conductor Bordside Right angle DIP Type

● With M2.6 flange



GT17HN-4DP-2DS(A)



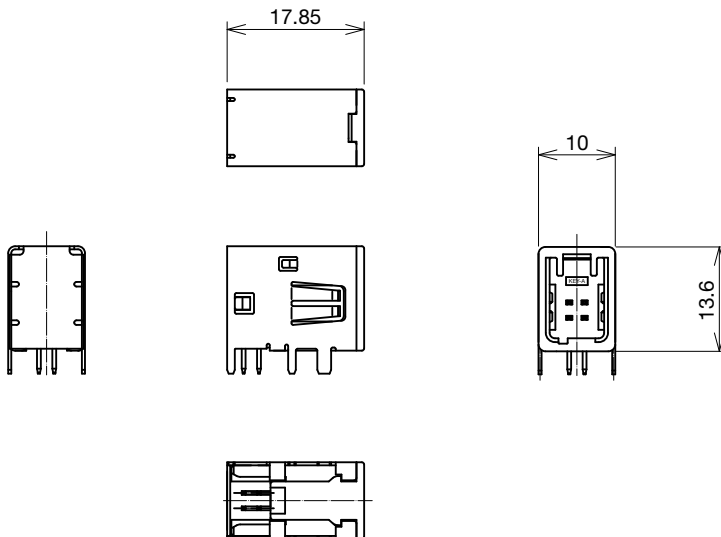
| Part Number | HRS No. | Color | Material / Finish | Packaging | RoHS |
|-------------------|------------|-------|---|-----------|------|
| GT17HN-4DP-2DS(A) | 767-0213-7 | Brown | Housing:PBT Center terminal:Brass/Tin plating Ceald cace:Copper alloy/Tin plating | 1piece | YES |

Note:Connector hight is measured from the PCB surface.

● Without flange



GT17HN-4DP-2DS(A)(10)



| Part Number | HRS No. | Color | Material / Finish | Packaging | RoHS |
|-----------------------|---------------|-------|---|-----------|------|
| GT17HN-4DP-2DS(A)(10) | 767-0213-7-10 | Brown | Housing:PBT Center terminal:Brass/Tin plating Ceald cace:Copper alloy/Tin plating | 1piece | YES |

Note:Connector hight is measured from the PCB surface.

● M2.5 Screw with Left flange



GT17HNL-4DP-2H(A)



| Part Number | HRS No. | Color | Material / Finish | Packaging | RoHS |
|-------------------|------------|-------|---|-----------|------|
| GT17HNL-4DP-2H(A) | 767-0229-7 | Brown | Housing:PBT Center terminal:Brass/Tin plating Ceald cace:Copper alloy/Tin plating | 1piece | YES |
| GT17HNL-4DP-2H(B) | 767-0237-5 | Green | | | |

Note:Connector hight is measured from the PCB surface.

● M2.6 Screw with Right flange



GT17HNR-4DP-2H(A)

| Part Number | HRS No. | Color | Material / Finish | Packaging | RoHS |
|-------------------|------------|-------|---|-----------|------|
| GT17HNR-4DP-2H(A) | 767-0230-6 | Brown | Housing:PBT Center terminal:Brass/Tin plating Ceald cace:Copper alloy/Tin plating | 1piece | YES |

Note:Connector hight is measured from the PCB surface.

4/4 Conductor SMT Connectors

● With M2.6 screw flange



GT17HN-4/4DP-2H(BC)



| Part Number | HRS No. | Color | Material / Finish | Packaging | RoHS |
|---------------------|------------|------------|---|-----------|------|
| GT17HN-4/4DP-2H(BC) | 767-0145-9 | Light Gray | Housing:PPS Center terminal:Brass/Tin plating Outer terminal:Copper alloy/Tin plating | 1piece | YES |

● Without flange



GT17HN-4/4DP-2H(BC)(14)



| Part Number | HRS No. | Color | Material / Finish | Packaging | RoHS |
|-------------------------|---------------|------------|---|--------------|------|
| GT17HN-4/4DP-2H(BC)(14) | 767-0145-9-14 | Light Gray | Housing:PPS Center terminal:Brass/Tin plating Outer terminal:Copper alloy/Tin plating | 200 pcs/reel | YES |

16 Conductor SMT Connectors

● With M2.6 screw flange



GT17HN-16DP-2H

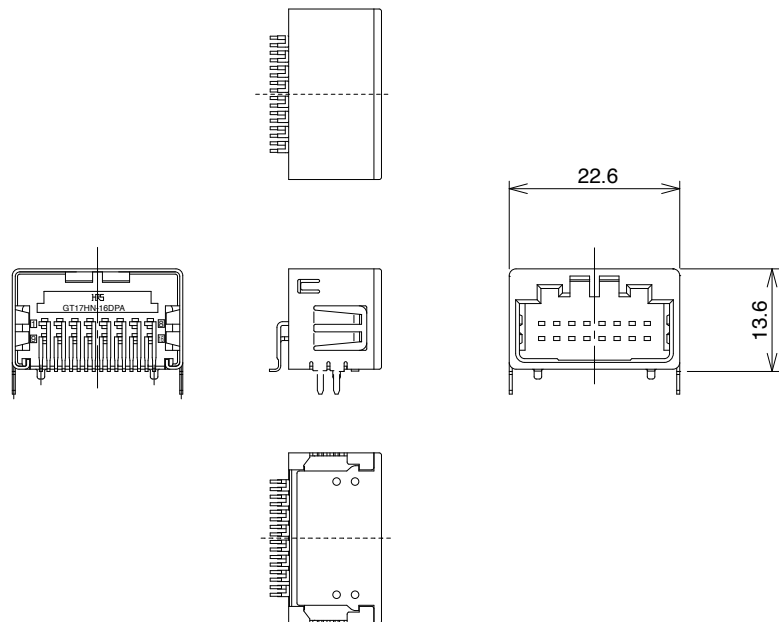


| Part Number | HRS No. | Color | Material / Finish | Packaging | RoHS |
|----------------|------------|------------|---|-----------|------|
| GT17HN-16DP-2H | 767-0153-7 | Light Gray | Housing:PPS Center terminal:Brass/Tin plating Outer terminal:Copper alloy/Tin plating | 1piece | YES |

● Without flange



GT17HN-16DP-2H(10)



| Part Number | HRS No. | Color | Material / Finish | Packaging | RoHS |
|--------------------|---------------|------------|---|--------------|------|
| GT17HN-16DP-2H(10) | 767-0153-7-10 | Light Gray | Housing:PPS Center terminal:Brass/Tin plating Outer terminal:Copper alloy/Tin plating | 200 pcs/reel | YES |

26-Conductor Straight Connectors



◆The product comprises 6 parts.

(Housing, insulator, outer terminal, shield plate, retainer, and center terminal)

●Housing

| Part Number | HRS No. | Material / Finish or Color | Packaging | Remarks | RoHS |
|---------------|------------|----------------------------|-----------|---------|------|
| GT17H-26DS-HU | 767-0094-0 | PBT / Light Gray | 1piece | — | YES |

●Insulator

| Part Number | HRS No. | Material / Finish or Color | Packaging | Remarks | RoHS |
|---------------|------------|----------------------------|-----------|---------|------|
| GT17H-26DS-2C | 767-0095-2 | PBT / Dark Gray | 1piece | — | YES |

●Outer terminal

| Part Number | HRS No. | Material / Finish or Color | Packaging | Remarks | RoHS |
|------------------|------------|----------------------------|--------------|-----------|------|
| GT17H-26DS-6.5CF | 767-0097-8 | Copper alloy / Tin plating | 612 pcs/pack | Lead free | YES |

●Shield plate

| Part Number | HRS No. | Material / Finish or Color | Packaging | Remarks | RoHS |
|---------------|------------|----------------------------|--------------|-----------|------|
| GT17H-26DS-SC | 767-0096-5 | Copper alloy / Tin plating | 612 pcs/pack | Lead free | YES |

●Retainer

| Part Number | HRS No. | Material / Finish or Color | Packaging | Remarks | RoHS |
|--------------|------------|----------------------------|-----------|---------|------|
| GT17H-26DS-R | 767-0098-0 | PBT / Dark Gray | 1piece | — | YES |

●Center terminal

| Part Number | HRS No. | Material / Finish or Color | Conductor Size | Sheath Diameter | Notes | RoHS |
|--------------|------------|----------------------------|----------------|-----------------|-----------------|------|
| GT25-2424SCF | 775-0002-6 | Copper alloy / Tin plating | AWG#20~24 | ϕ 1.0~1.4 | 10,000 pcs/reel | YES |
| GT25-2428SCF | 775-0013-2 | Copper alloy / Tin plating | AWG#24~28 | ϕ 1.3~1.5 | 10,000 pcs/reel | |
| GT25-2630SCF | 775-0012-0 | Copper alloy / Tin plating | AWG#26~30 | ϕ 0.7~1.0 | 10,000 pcs/reel | |

◆Mating Table

| Color | Cable side connector | Board connector |
|-------|----------------------|-------------------------------|
| Gray | GT17H-26DS-HU | GT17H-26DP-DS(Board type) |
| | | GT17H-26DP-HU(In - line type) |

26-Conductor Right-angle Connectors (Left Bend)



◆The product comprises 6 parts.
(Housing, insulator, outer terminal, shield plate, retainer, and center terminal)

●Housing

| Part Number | HRS No. | Material / Finish or Color | Packaging | Remarks | RoHS |
|----------------|------------|----------------------------|-----------|---------|------|
| GT17HL-26DS-HU | 767-0099-3 | PBT / Light Gray | 1piece | — | YES |

●Insulator

| Part Number | HRS No. | Material / Finish or Color | Packaging | Remarks | RoHS |
|---------------|------------|----------------------------|-----------|---------|------|
| GT17H-26DS-2C | 767-0095-2 | PBT / Dark Gray | 1piece | — | YES |

●Outer terminal

| Part Number | HRS No. | Material / Finish or Color | Packaging | Remarks | RoHS |
|-------------------|------------|----------------------------|--------------|-----------|------|
| GT17HL-26DS-6.5CF | 767-0101-3 | Copper alloy / Tin plating | 612 pcs/pack | Lead free | YES |

●Shield plate

| Part Number | HRS No. | Material / Finish or Color | Packaging | Remarks | RoHS |
|------------------|------------|----------------------------|--------------|-----------|------|
| GT17HL/R-26DS-SC | 767-0100-0 | Copper alloy / Tin plating | 612 pcs/pack | Lead free | YES |

●Retainer

| Part Number | HRS No. | Material / Finish or Color | Packaging | Remarks | RoHS |
|---------------|------------|----------------------------|-----------|---------|------|
| GT17HL-26DS-R | 767-0102-6 | PBT / Dark Gray | 1piece | — | YES |

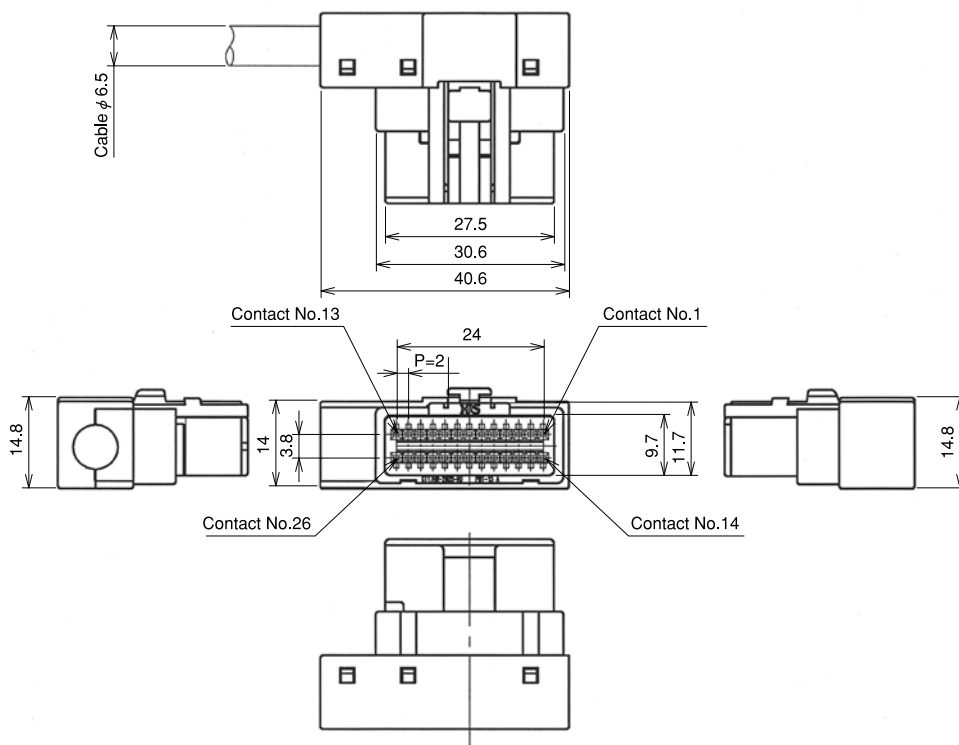
●Center terminal

| Part Number | HRS No. | Material / Finish or Color | Line Size | Cover Size | Note | RoHS |
|--------------|------------|----------------------------|-----------|------------|----------------|------|
| GT25-2428SCF | 758-0013-2 | Copper alloy / Tin plating | AWG#24~28 | φ 1.3~1.5 | 10,000pcs/pack | YES |
| GT25-2630SCF | 758-0012-0 | Copper alloy / Tin plating | AWG#26~30 | φ 0.7~1.0 | 10,000pcs/pack | |

◆Mating Table

| Color | Cable side connector | Boad connector |
|-------|----------------------|-----------------------------|
| Gray | GT17HL-26DS-HU | GT17H-26DP-DS(Boad type) |
| | | GT17H-26DP-HU(In-line type) |

26-Conductor Straight Connectors (Right Bend)



◆The product comprises 6 parts.

(Housing, insulaor, outer terminal, shield plate, retainer, and center terminal)

●Housing

| Part Number | HRS No. | Material / Finish or Color | Packaging | Remarks | RoHS |
|----------------|------------|----------------------------|-----------|---------|------|
| GT17HR-26DS-HU | 767-0118-6 | PBT / Light Gray | 1piece | — | YES |

●Insulator

| Part Number | HRS No. | Material / Finish or Color | Packaging | Remarks | RoHS |
|---------------|------------|----------------------------|-----------|---------|------|
| GT17H-26DS-2C | 767-0095-2 | PBT / Dark Gray | 1piece | — | YES |

●Outer terminal

| Part Number | HRS No. | Material / Finish or Color | Packaging | Remarks | RoHS |
|-------------------|------------|----------------------------|--------------|-----------|------|
| GT17HR-26DS-6.5CF | 767-0119-9 | Copper alloy / Tin plating | 612 pcs/pack | Lead free | YES |

●Shield plate

| Part Number | HRS No. | Material / Finish or Color | Packaging | Remarks | RoHS |
|------------------|------------|----------------------------|--------------|-----------|------|
| GT17HL/R-26DS-SC | 767-0100-0 | Copper alloy / Tin plating | 612 pcs/pack | Lead free | YES |

●Retainer

| Part Number | HRS No. | Material / Finish or Color | Packaging | Remarks | RoHS |
|---------------|------------|----------------------------|-----------|---------|------|
| GT17HR-26DS-R | 767-0120-8 | PBT / Dark Gray | 1piece | — | YES |

●Center terminal

| Part Number | HRS No. | Material / Finish or Color | Line Size | Cover Size | Note | RoHS |
|--------------|------------|----------------------------|-----------|------------|----------------|------|
| GT25-2428SCF | 758-0013-2 | Copper alloy / Tin plating | AWG#24~28 | φ 1.3~1.5 | 10,000pcs/reel | YES |
| GT25-2630SCF | 758-0012-0 | Copper alloy / Tin plating | AWG#26~30 | φ 0.7~1.0 | 10,000pcs/reel | |

◆Mating Table

| Color | Cable side connector | Boad connector |
|-------|----------------------|-----------------------------|
| Gray | GT17HR-26DS-HU | GT17H-26DP-DS(Boad type) |
| | | GT17H-26DP-HU(In-line type) |

26-Conductor Board Connectors (Color: Light Gray)

| Part Number | HRS No. | Material / Finish or Color | Packaging | RoHS |
|---------------|------------|---|-----------|------|
| GT17H-26DP-DS | 767-0088-7 | Housing: PBT/Light Gray Center terminal: Brass /Tin plating Shield Cover: Copper alloy /Tin plating | 1piece | YES |



Termination Tools

User's manuals are available. Please ask your Hirose Electric account representative.

Automatic Crimping Machine (for 2-conductor and 8-conductor cable)



The photograph shows just one example. The product is subject to change.

Specifications

| Item | Specification | Remarks |
|-------------------|----------------------------|---------------|
| Capacity | 1.5Ton | |
| Stroke | 30mm | |
| Number of strokes | 200spm (50Hz) | 240spm (60Hz) |
| Weight | 75kg | |
| Motor | 0.2kW | AC100V |
| Crimping speed | 2000 to 4000 pcs. per hour | |

Part Number CM-105

Applicator

| Product Number | HRS No. | Applicator Product Number | Applicator HRS No. |
|-----------------|---------------|---------------------------|--------------------|
| GT17-2022SCF | 767-0009-0 | AP105-GT17-2022S | 901-5083-5 |
| GT17-2428SCF | 767-0010-0 | AP105-GT17-2428S | 901-5084-8 |
| GT17-30SCF | 767-0064-9 | AP105-GT17-30S | 901-5107-1 |
| GT17-2022PCF | 767-0082-0 | AP105-GT17-2022P | 901-5146-3 |
| GT8-2428SCF(70) | 758-0001-8-70 | AP105-GT8-2428S | 901-5174-9 |
| GT8E-2428PCF | 758-0067-6 | AP105-GT8E-2428P | 901-5192-0 |

Note1: Crimp heights may differ depending on the cable specification, so please consult a HRS representative for assistance.

Note2: Before purchasing Hirose tooling, please make sure that your selected cable will work with the Hirose applicator.

Note3: Cables that are different from those specified by Hirose may not be suitable and may require modification to the applicator to obtain a proper crimp.

Contact insert tool for GT17H-4S-2C

| Product Number | HRS No. | Applicator Product Number | Applicator HRS No. |
|-----------------|---------------|---------------------------|--------------------|
| GT8-2428SCF(70) | 758-0001-8-70 | GT17-4S/PR-MD | 902-5109-3 |

*This tool was designed when GT8-2428SCF(70) insert to GT17-4S-2C.

Please do not use other contact and housing.

GT 5

GT 13

GT 16

PO5G

GT 11

GT 17

GT 19

GT 26

GT 27

GT 3

GT 6W

GT 7

GT 10

GT 18W

GT 15

GT 8

GT 9

GT 25

GT 22

● HANDPRESS

Hand Press



Part Number HOS-7

Crimp tool for outer shield(Module for HOS-7)

| Product Number | HRS No. | Crimp tool for outer shield Product Number | Crimp tool for outer shield HRS No. |
|-------------------|------------|--|-------------------------------------|
| GT17V-6DS-5CF | 767-0027-2 | GT17VS-6DS-5/CR-MP | 902-5099-1 |
| | | GT17VS-6DS-5/CR-MP(01) | 902-5099-1-01 |
| | | GT17VS-6DS-CH48/CR-MP | 902-5105-2 |
| | | GT17VS-6DS-CH48/CR-MP(01) | 902-5105-2-01 |
| GT17VS-6DS-5CF | 767-0050-4 | GT17VS-6DS-5/CR-MP | 902-5099-1 |
| | | GT17VS-6DS-5/CR-MP(01) | 902-5099-1-01 |
| GT17V-6DS-3.8CF | 767-0075-5 | GT17V-6DS-3.8/CR-MP | 902-5101-1 |
| | | GT17V-6DS-3.8/CR-MP(01) | 902-5101-1-01 |
| GT17VS-6DP-5CF | 767-0080-5 | GT17VS-6DP-5/CR-MP | 902-5088-5 |
| | | GT17VS-6DP-5/CR-MP(01) | 902-5088-5-01 |
| GT17S-8DS-7CF(70) | 767-0106-7 | GT17S-8DS-7/CR-MP | 902-5090-7 |
| | | GT17S-8DS-7/CR-MP(01) | 902-5090-7-01 |
| GT17V-10DS-8CF | 767-0037-6 | GT17V-10DS/CR-MP | 902-5057-1 |
| | | GT17V-10DS/CR-MP(01) | 902-5057-1-01 |
| GT17VS-10DS-8CF | 767-0059-9 | GT17V-10DS/CR-MP | 902-5057-1 |
| | | GT17V-10DS/CR-MP(01) | 902-5057-1-01 |
| GT17VS-10DP-5.2CF | 767-0114-5 | GT17VS-10DP-5.2/CR-MP | 902-5084-4 |
| | | GT17VS-10DP-5.2/CR-MP(01) | 902-5084-4-01 |
| GT17VS-10DS-4.6CF | 767-0116-0 | GT17VS-10DS-4.6/CR-MP | 902-5083-1 |
| | | GT17VS-10DS-4.6/CR-MP(01) | 902-5083-1-01 |
| GT17H-4S-5CF | 767-0087-4 | GT17H-4S-5CF/CR-MP | 902-5100-9 |
| | | GT17H-4S-5CF/CR-MP(01) | 902-5100-9-01 |
| GT17HS-4S-5CF | 767-0135-5 | GT17H-4S-5CF/CR-MP | 902-5100-9 |
| | | GT17H-4S-5CF/CR-MP(01) | 902-5100-9-01 |
| GT17HS-4P-5CF | 767-0156-5 | GT17HS-4P-5CF/CR-MP | 902-5108-0 |
| | | GT17HS-4P-5CF/CR-MP(01) | 902-5108-0-01 |
| GT17HN-4DS-5CF | 767-0142-0 | GT17HNS-4DS-5/CR-MP | 902-5103-7 |
| | | GT17HNS-4DS-5/CR-MP(01) | 902-5103-7-01 |
| GT17HNS-4DS-5CF | 767-0151-1 | GT17HNS-4DS-5/CR-MP | 902-5103-7 |
| | | GT17HNS-4DS-5/CR-MP(01) | 902-5103-7-01 |
| GT17HNS-16DS-8CF | 767-0165-6 | GT17HNS-16DS-8/CR-MP | 902-5102-4 |
| | | GT17HNS-16DS-8/CR-MP(01) | 902-5102-4-01 |
| GT17H-26DP-6.5CF | 767-0092-4 | GT17H-26DP-6.5/CR1-MP | 902-5079-4 |
| | | GT17H-26DP-6.5/CR1-MP(01) | 902-5079-4-01 |
| | | GT17H-26DP-6.5/CR2-MP | 902-5080-3 |
| | | GT17H-26DP-6.5/CR2-MP(01) | 902-5080-3-01 |
| GT17H-26DS-6.5CF | 767-0097-8 | GT17H-26DS-6.5/CR1-MP | 902-5081-6 |
| | | GT17H-26DS-6.5/CR1-MP(01) | 902-5081-6-01 |
| | | GT17H-26DS-6.5/CR2-MP | 902-5085-7 |
| | | GT17H-26DS-6.5/CR2-MP(01) | 902-5085-7-01 |
| GT17HL-26DS-6.5CF | 767-0101-3 | GT17HL-26DS-6.5/CR1-MP | 902-5082-9 |
| | | GT17HL-26DS-6.5/CR1-MP(01) | 902-5082-9-01 |
| | | GT17HL-26DS-6.5/CR2-MP | 902-5086-0 |
| | | GT17HL-26DS-6.5/CR2-MP(01) | 902-5086-0-01 |
| GT17HR-26DS-6.5CF | 767-0119-9 | GT17HL-26DS-6.5/CR1-MP | 902-5082-9 |
| | | GT17HL-26DS-6.5/CR1-MP(01) | 902-5082-9-01 |
| | | GT17HL-26DS-6.5/CR2-MP | 902-5086-0 |
| | | GT17HL-26DS-6.5/CR2-MP(01) | 902-5086-0-01 |

Note1: (01)is set unit (HOS-7 and Crimp tool).

Note2: Crimp height sets for each cable. Please ask HRS sales in detail. Take time to define new crimp height.

Note3: Please ask Crimp height for your cable when you use HRS tool.

Note4: Applicable tool may be changed by specic cable.

Компания «Океан Электроники» предлагает заключение долгосрочных отношений при поставках импортных электронных компонентов на взаимовыгодных условиях!

Наши преимущества:

- Поставка оригинальных импортных электронных компонентов напрямую с производств Америки, Европы и Азии, а так же с крупнейших складов мира;
- Широкая линейка поставок активных и пассивных импортных электронных компонентов (более 30 млн. наименований);
- Поставка сложных, дефицитных, либо снятых с производства позиций;
- Оперативные сроки поставки под заказ (от 5 рабочих дней);
- Экспресс доставка в любую точку России;
- Помощь Конструкторского Отдела и консультации квалифицированных инженеров;
- Техническая поддержка проекта, помощь в подборе аналогов, поставка прототипов;
- Поставка электронных компонентов под контролем ВП;
- Система менеджмента качества сертифицирована по Международному стандарту ISO 9001;
- При необходимости вся продукция военного и аэрокосмического назначения проходит испытания и сертификацию в лаборатории (по согласованию с заказчиком);
- Поставка специализированных компонентов военного и аэрокосмического уровня качества (Xilinx, Altera, Analog Devices, Intersil, Interpoint, Microsemi, Actel, Aeroflex, Peregrine, VPT, Syfer, Eurofarad, Texas Instruments, MS Kennedy, Miteq, Cobham, E2V, MA-COM, Hittite, Mini-Circuits, General Dynamics и др.);

Компания «Океан Электроники» является официальным дистрибьютором и эксклюзивным представителем в России одного из крупнейших производителей разъемов военного и аэрокосмического назначения «JONHON», а так же официальным дистрибьютором и эксклюзивным представителем в России производителя высокотехнологичных и надежных решений для передачи СВЧ сигналов «FORSTAR».



JONHON

«JONHON» (основан в 1970 г.)

Разъемы специального, военного и аэрокосмического назначения:

(Применяются в военной, авиационной, аэрокосмической, морской, железнодорожной, горно- и нефтедобывающей отраслях промышленности)

«FORSTAR» (основан в 1998 г.)

ВЧ соединители, коаксиальные кабели,
кабельные сборки и микроволновые компоненты:

(Применяются в телекоммуникациях гражданского и специального назначения, в средствах связи, РЛС, а так же военной, авиационной и аэрокосмической отраслях промышленности).



Телефон: 8 (812) 309-75-97 (многоканальный)

Факс: 8 (812) 320-03-32

Электронная почта: ocean@oceanchips.ru

Web: <http://oceanchips.ru/>

Адрес: 198099, г. Санкт-Петербург, ул. Калинина, д. 2, корп. 4, лит. А