

MATERIAL (RoHS COMPLIANT):

CAGE:
COPPER ALLOY

PLATING:(SEE PART NUMBER FOR OPTION)

OPTION1:100μ" [2.54 μm] MIN. BRIGHT TIN PLATING OVER 50 μ" (1.27 μm) MIN. NICKEL UNDER PLATING. (BRIGHT TIN SOLDER TEMPERATURE 230°C MAX.).

OPTION3: 100μ" [2.54 μm] MIN. MATTE TIN PLATING OVER 50 μ" (1.27 μm) MIN. NICKEL UNDER PLATING.(MATTE TIN

SOLDER TEMPRETURE 245°C MAX. IN 10 SECONDS OF PEAK TIME,)

DUST COVER
THERMOPLASTIC, COLOR BLACK.

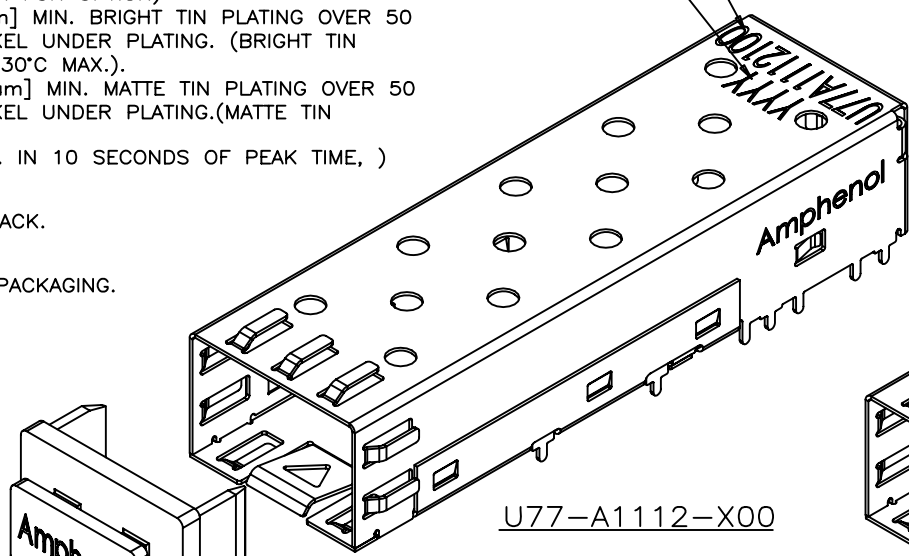
PACKAGING:
TAPE AND REEL OR TRAY PACKAGING.

TEMPERATURE RANGE:
-40°C TO +85°C

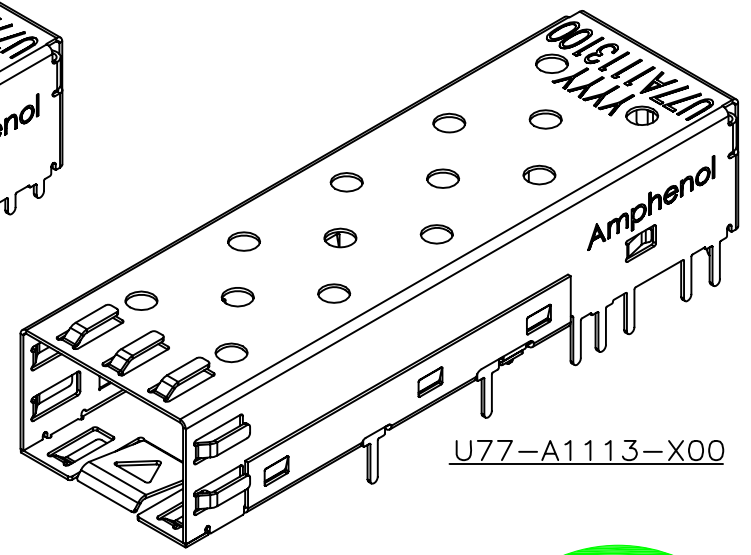
PART NUMBER
(P/N DOES NOT INCLUDE PACKAGING
TYPE AND DUST COVER OPTION)

DATE CODE

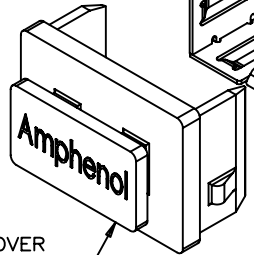
| REVISIONS | | | | |
|-----------|------|--------------------------------|------------|--------|
| SYM | ZONE | ECN, ERN NO. | DATE | APPRD. |
| D | | UPDATED | 2006/03/01 | |
| E | | MATTE TIN PLATING OPTION ADDED | 2007/07/29 | J.SI |
| F | | PACKAGING DETAILS ADDED | AUG14/07 | A.G. |



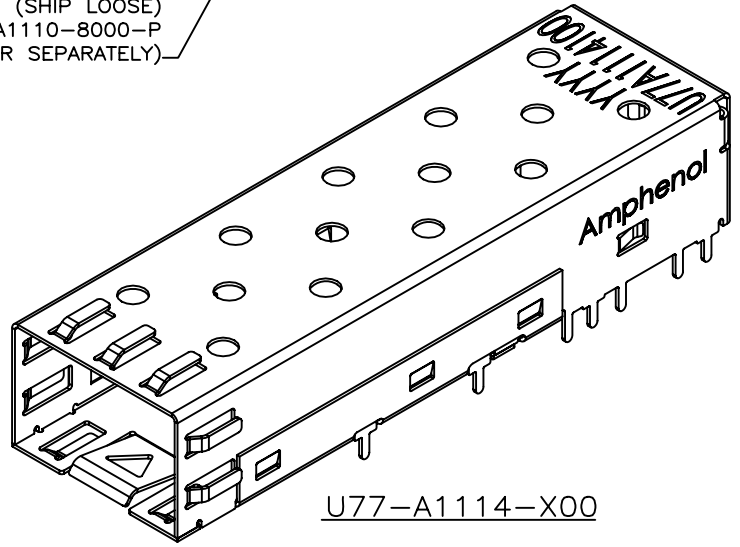
U77-A1112-X00



U77-A1113-X00



OPTIONAL DUST COVER
(SHIP LOOSE)
P/N U77-A1110-8000-P
(IF ORDER SEPARATELY)



U77-A1114-X00



AMPHENOL PART NUMBER CONFIGURATION

U77 - A 1 1 1 X - X X 0 X

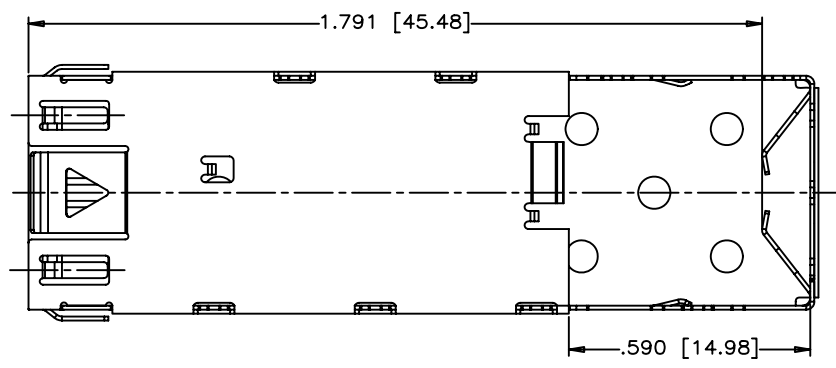
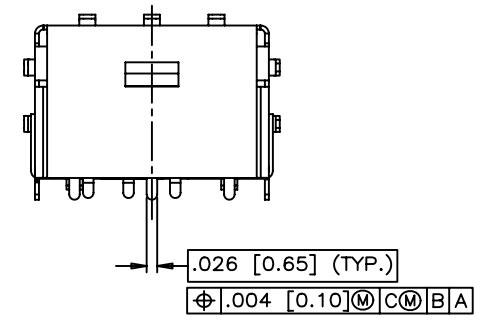
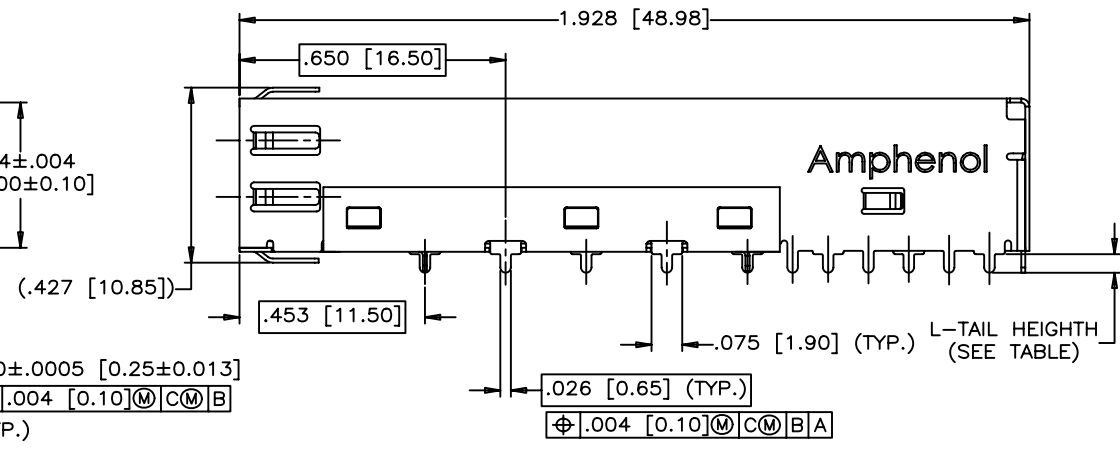
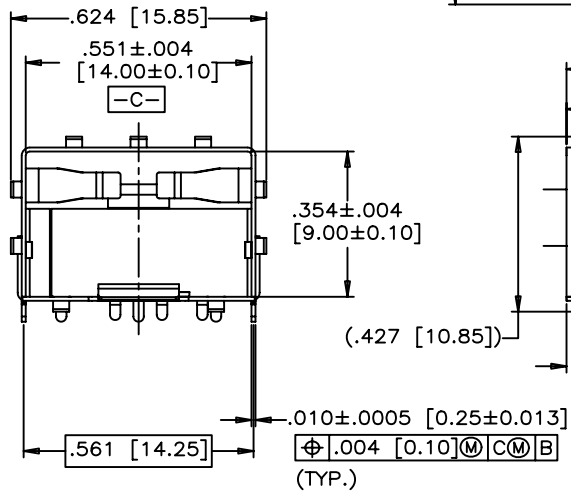
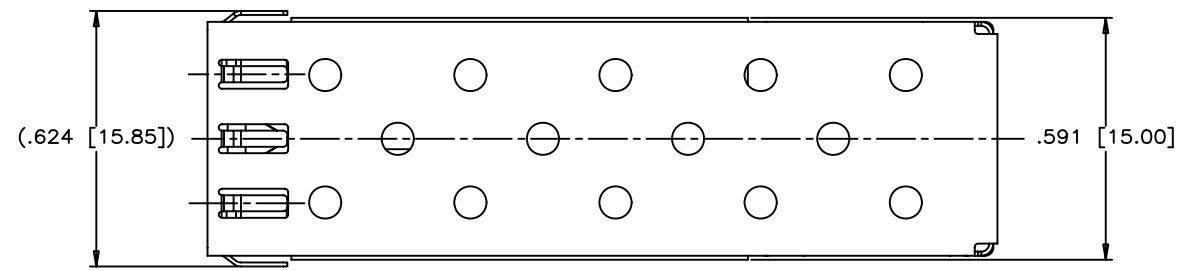
- SOLDER TAIL HEIGHT**
 - 2 = 1.2 mm (20 SOLDER PINS)
 - 3 = 3.2 mm (20 SOLDER PINS)
 - 4 = 1.8 mm (20 SOLDER PINS)
- PLATING**
 - 1 = BRIGHT TIN PLATING
 - 3 = MATTE TIN PLATING
- OPTIONAL DUST COVER**
 - 0 = NO DUST COVER
 - D = WITH DUST COVER (SHIP LOOSE)
- PACKAGING**
 - 1 = TRAY PACKAGING (SEE PAGE 5 FOR DETAILS)
 - T = TAPE & REEL PACKAGING (STANDARD CAGE ORIENTATION) (SEE PAGE 6 FOR DETAILS)
 - R = TAPE & REEL PACKAGING (REVERSED CAGE ORIENTATION) (SEE PAGE 7 FOR DETAILS)

| | | | |
|-------------------|--------------|------|------------|
| DRAWN | J.SI | DATE | 2006/02/23 |
| DESIGNED | J.SI | DATE | 2006/02/23 |
| CHECKED | X | | |
| DWG. APPRD. | | | |
| ENG. REL. NO. | | | |
| REF. | X | | |
| DIMENSIONS ARE IN | CODE ID. NO. | | |
| INCHES (mm) | 03554 | | |

| | | | |
|----------------------------------|------------------|-------|--------|
| Amphenol Canada Corp. | | | |
| TITLE | | | |
| SFP SINGLE CAGE WITH SOLDER PINS | | | |
| DWG | DRAWING NO. | REV. | |
| A | P-U77-A111X-XX0X | F | |
| SCALE | 2:1 | WT. | |
| SURF. | | SHEET | 1 OF 7 |

THIS DOCUMENT CONTAINS PROPRIETARY INFORMATION AND SUCH INFORMATION MAY NOT BE DISCLOSED TO OTHERS FOR ANY PURPOSE OR USED FOR MANUFACTURING PURPOSES WITHOUT WRITTEN PERMISSION FROM AMPHENOL CANADA CORP.

| REVISIONS | | | | |
|-----------|------|--------------------------------|------------|--------|
| SYM | ZONE | ECN, ERN NO. | DATE | APPRD. |
| D | | UPDATED | 2006/03/01 | |
| E | | MATTE TIN PLATING OPTION ADDED | 2007/07/29 | J.SI |
| F | | PACKAGING DETAILS ADDED | AUG14/07 | A.G. |



TABLE

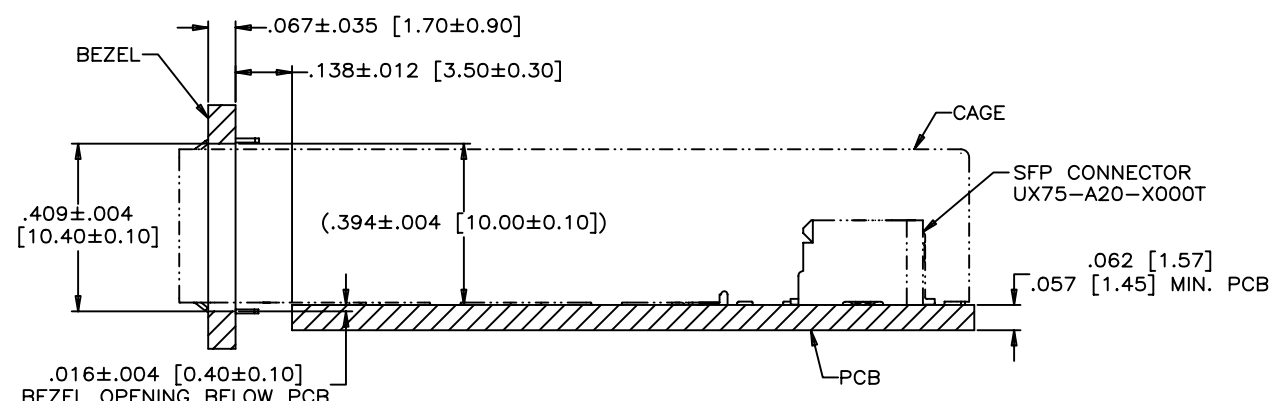
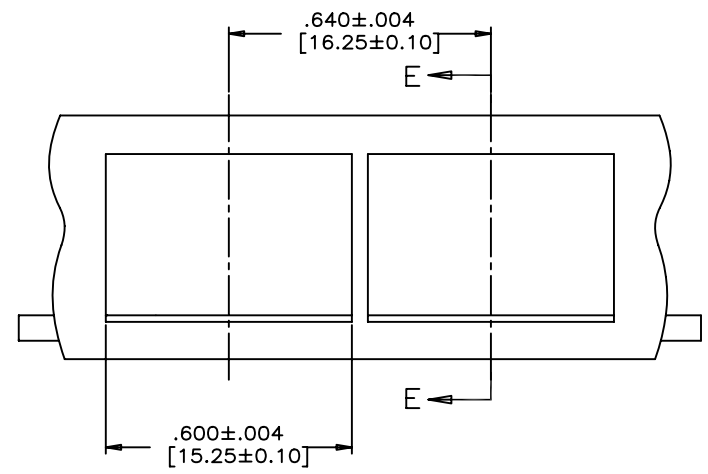
| PART NUMBER | SOLDER TAIL HEIGHT (mm) |
|----------------|-------------------------|
| U77-A1112-XX0X | 1.20 |
| U77-A1113-XX0X | 3.20 |
| U77-A1114-XX0X | 1.80 |

| | | | |
|-------------------|--------------|------|------------|
| DRAWN | J.SI | DATE | 2006/02/23 |
| DESIGNED | J.SI | DATE | 2006/02/23 |
| CHECKED | X | | |
| DWG. APPRD. | | | |
| ENG. REL. NO. | | | |
| REF. | X | | |
| DIMENSIONS ARE IN | CODE ID. NO. | | |
| INCHES (mm) | 03554 | | |

| | | |
|----------------------------------|------------------|-------|
| Amphenol Canada Corp. | | |
| TITLE | | |
| SFP SINGLE CAGE WITH SOLDER PINS | | |
| DWG | DRAWING NO. | REV. |
| A | P-U77-A111X-XX0X | F |
| SCALE | WT. | SURF. |
| 2:1 | | |
| SHEET 2 OF 7 | | |

THIS DOCUMENT CONTAINS PROPRIETARY INFORMATION AND SUCH INFORMATION MAY NOT BE DISCLOSED TO OTHERS FOR ANY PURPOSE OR USED FOR MANUFACTURING PURPOSES WITHOUT WRITTEN PERMISSION FROM AMPHENOL CANADA CORP.

| REVISIONS | | | | |
|-----------|------|--------------------------------|------------|--------|
| SYM | ZONE | ECN, ERN NO. | DATE | APPRD. |
| D | | UPDATED | 2006/03/01 | |
| E | | MATTE TIN PLATING OPTION ADDED | 2007/07/29 | J.SI |
| F | | PACKAGING DETAILS ADDED | AUG14/07 | A.G. |



SECTION E-E

RECOMMENDED BEZEL DESIGN
(ONE SIDE CAGE MOUNTING)

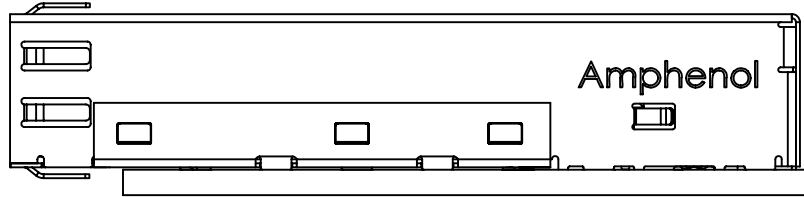
| | | | |
|-------------------|--------|--------------|------------|
| DRAWN | J.SI | DATE | 2006/02/23 |
| DESIGNED | J.SI | DATE | 2006/02/23 |
| CHECKED | X | | |
| DWG. APPRD. | | | |
| ENG. REL. NO. | | | |
| REF. | X | | |
| DIMENSIONS ARE IN | INCHES | CODE ID. NO. | 03554 |

| | | |
|----------------------------------|------------------|------------------------------------|
| Amphenol Canada Corp. | | |
| TITLE | | |
| SFP SINGLE CAGE WITH SOLDER PINS | | |
| DWG | DRAWING NO. | REV. |
| A | P-U77-A111X-XX0X | F |
| SCALE | 2:1 | WT. _____ SURF. _____ SHEET 3 OF 7 |

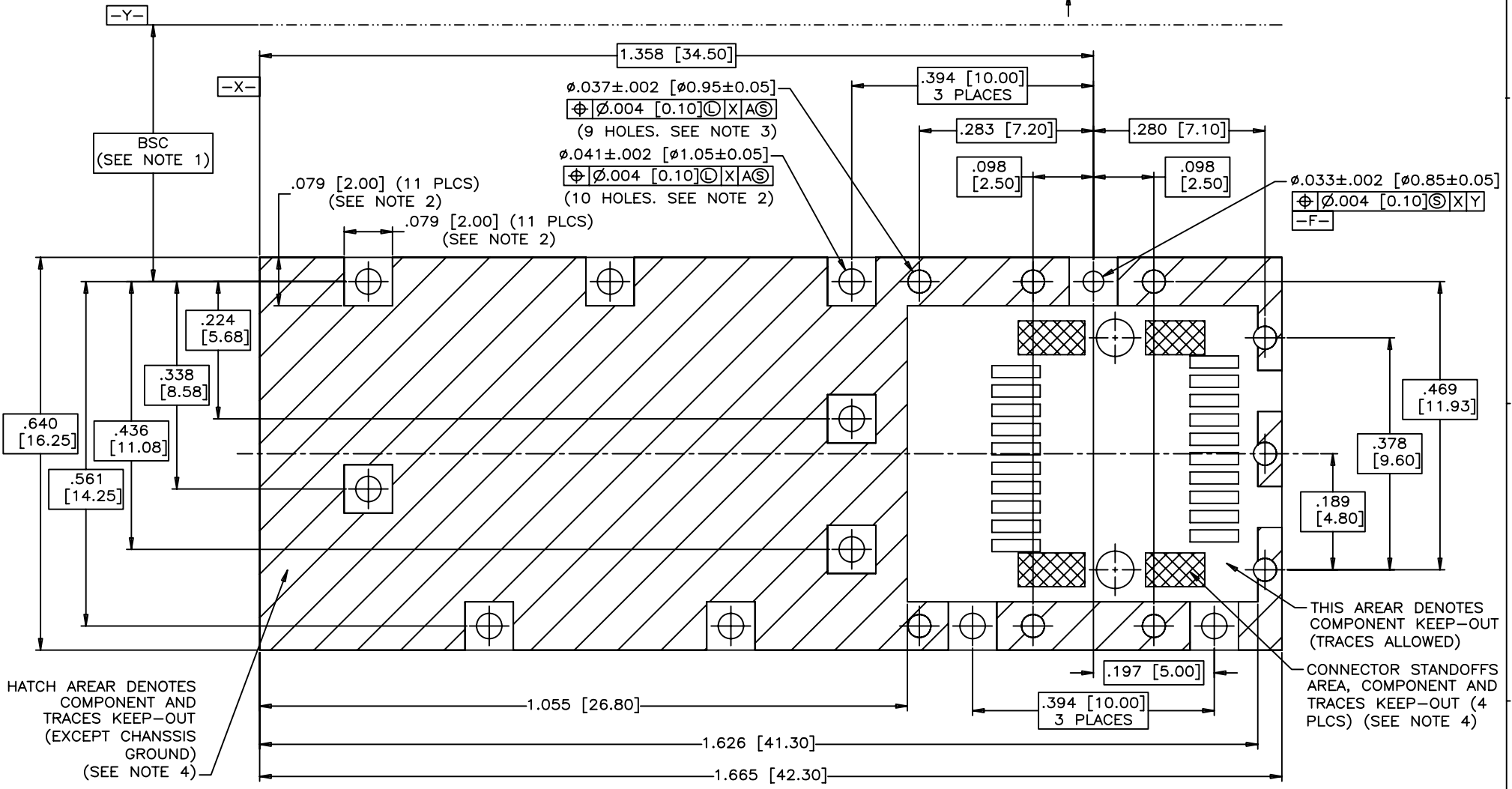
THIS DOCUMENT CONTAINS PROPRIETARY INFORMATION AND SUCH INFORMATION MAY NOT BE DISCLOSED TO OTHERS FOR ANY PURPOSE OR USED FOR MANUFACTURING PURPOSES WITHOUT WRITTEN PERMISSION FROM AMPHENOL CANADA CORP.

- NOTES:
 1. DATUM AND BASIC DIMENTIONS ESTABLISHED BY CUSTOMER
 2. PADS AND VIAS ARE CHASSIS GROUND, 11 PLACES.
 3. THRU HOLES, PLATING OPTIONAL.
 4. SEE DRAWINGS P-U75-A20-XX00X FOR CONNECTOR PCB LAYOUT.

| REVISIONS | | | | |
|-----------|------|--------------------------------|------------|--------|
| SYM | ZONE | ECN, ERN NO. | DATE | APPRD. |
| D | | UPDATED | 2006/03/01 | |
| E | | MATTE TIN PLATING OPTION ADDED | 2007/07/29 | J.SI |
| F | | PACKAGING DETAILS ADDED | AUG14/07 | A.G. |



.062 [1.57]
 .057 [1.45] MIN. PCB



RECOMMENDED SFP HOST BOARD LAYOUT
 (ONE SIDE CAGE MOUNTING)
 (SCALE 4:1)

| | | | |
|-------------------|--------------|------|------------|
| DRAWN | J.SI | DATE | 2006/02/23 |
| DESIGNED | J.SI | DATE | 2006/02/23 |
| CHECKED | X | | |
| DWG. APPRD. | | | |
| ENG. REL. NO. | | | |
| REF. | X | | |
| DIMENSIONS ARE IN | CODE ID. NO. | | |
| INCHES (mm) | 03554 | | |

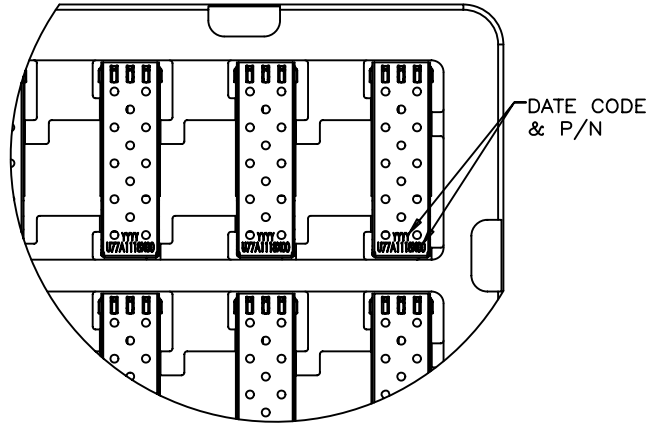
| | | |
|----------------------------------|------------------|-------|
| Amphenol Canada Corp. | | |
| TITLE | | |
| SFP SINGLE CAGE WITH SOLDER PINS | | |
| DWG | DRAWING NO. | REV. |
| A | P-U77-A111X-XX0X | F |
| SCALE | WT. | SURF. |
| 2:1 | | |
| SHEET 4 OF 7 | | |

THIS DOCUMENT CONTAINS PROPRIETARY INFORMATION AND SUCH INFORMATION MAY NOT BE DISCLOSED TO OTHERS FOR ANY PURPOSE OR USED FOR MANUFACTURING PURPOSES WITHOUT WRITTEN PERMISSION FROM AMPHENOL CANADA CORP.

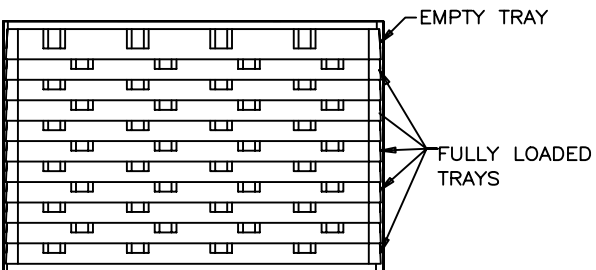
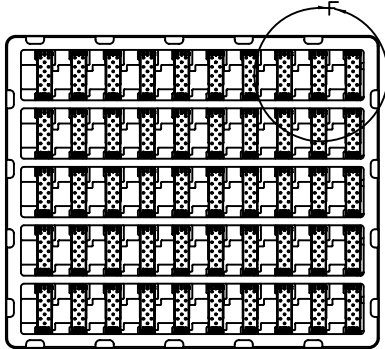
NOTES:

1. A FULLY LOADED TRAY TO CONTAIN 50 CAGES.
2. PLACE TRAYS INTO THE CARTON AS SHOWN. FULLY LOADED CARTON SHALL CONTAIN 10 TRAYS (500 SFP CAGES) PLUS ONE EMPTY TRAY ON THE TOP AS A COVER. FILL EMPTY SPACE IN THE CARTON WITH PAPER FOR ANY PARTIAL SHIPMENT.

| REVISIONS | | | | |
|-----------|------|-------------------------|----------|--------|
| SYM | ZONE | ECN, ERN NO. | DATE | APPRD. |
| F | | PACKAGING DETAILS ADDED | AUG14/07 | A.G. |
| | | | | |
| | | | | |

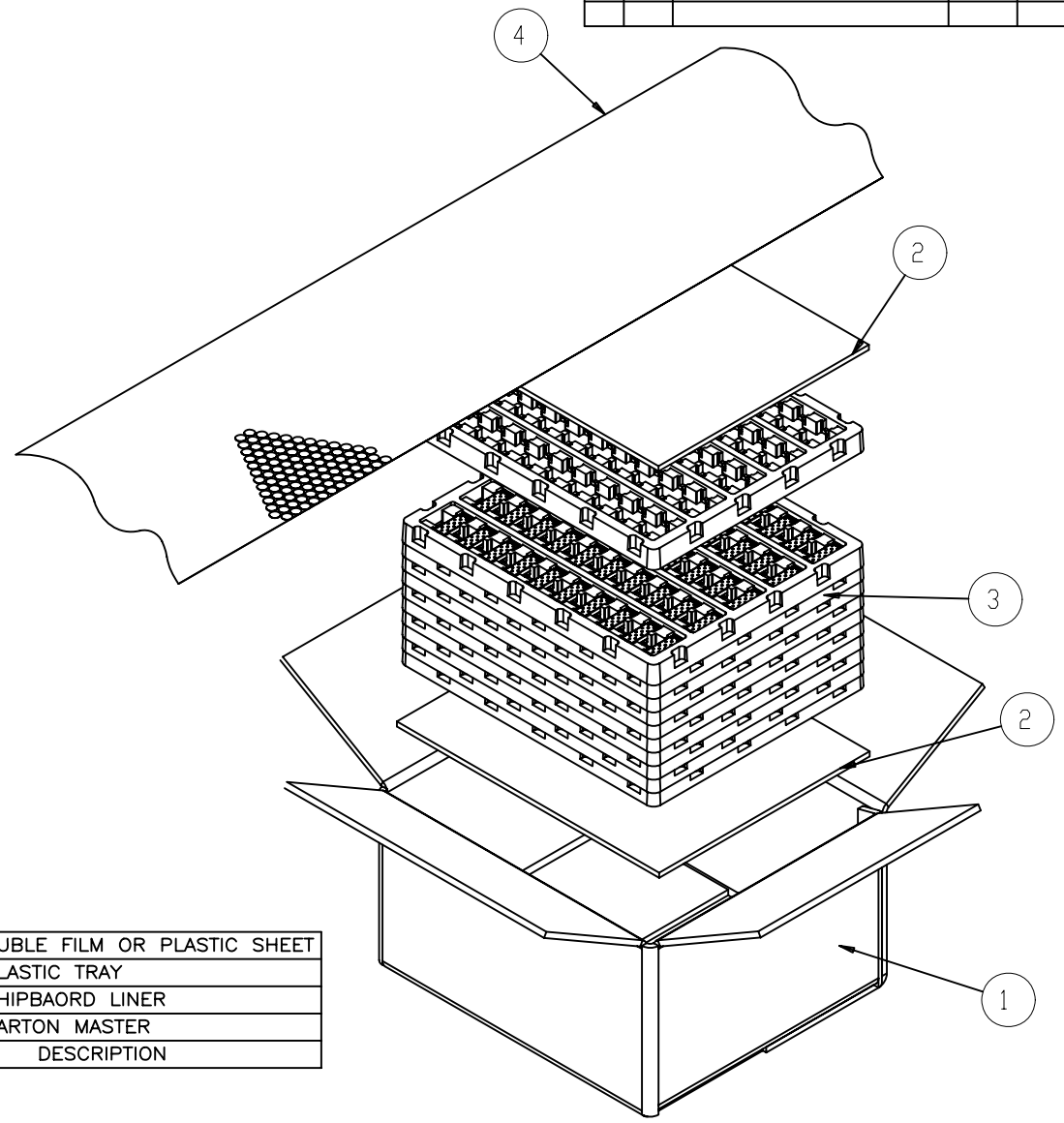


DETAIL F
SCALE 1:2



| 4 | BUBLE FILM OR PLASTIC SHEET |
|----------|-----------------------------|
| 3 | PLASTIC TRAY |
| 2 | CHIPBOARD LINER |
| 1 | CARTON MASTER |
| ITEM No. | DESCRIPTION |

U77-A111X-XX01 SHOWN



| | | | |
|-------------------|-------------|--------------|----------|
| DRAWN | J.SI | DATE | AUG12/07 |
| DESIGNED | J.SI | DATE | AUG12/07 |
| CHECKED | X | | X |
| DWG. APPRD. | | | |
| ENG. REL. NO. | | | |
| REF. | X | | |
| DIMENSIONS ARE IN | INCHES (mm) | CODE ID. NO. | 03554 |

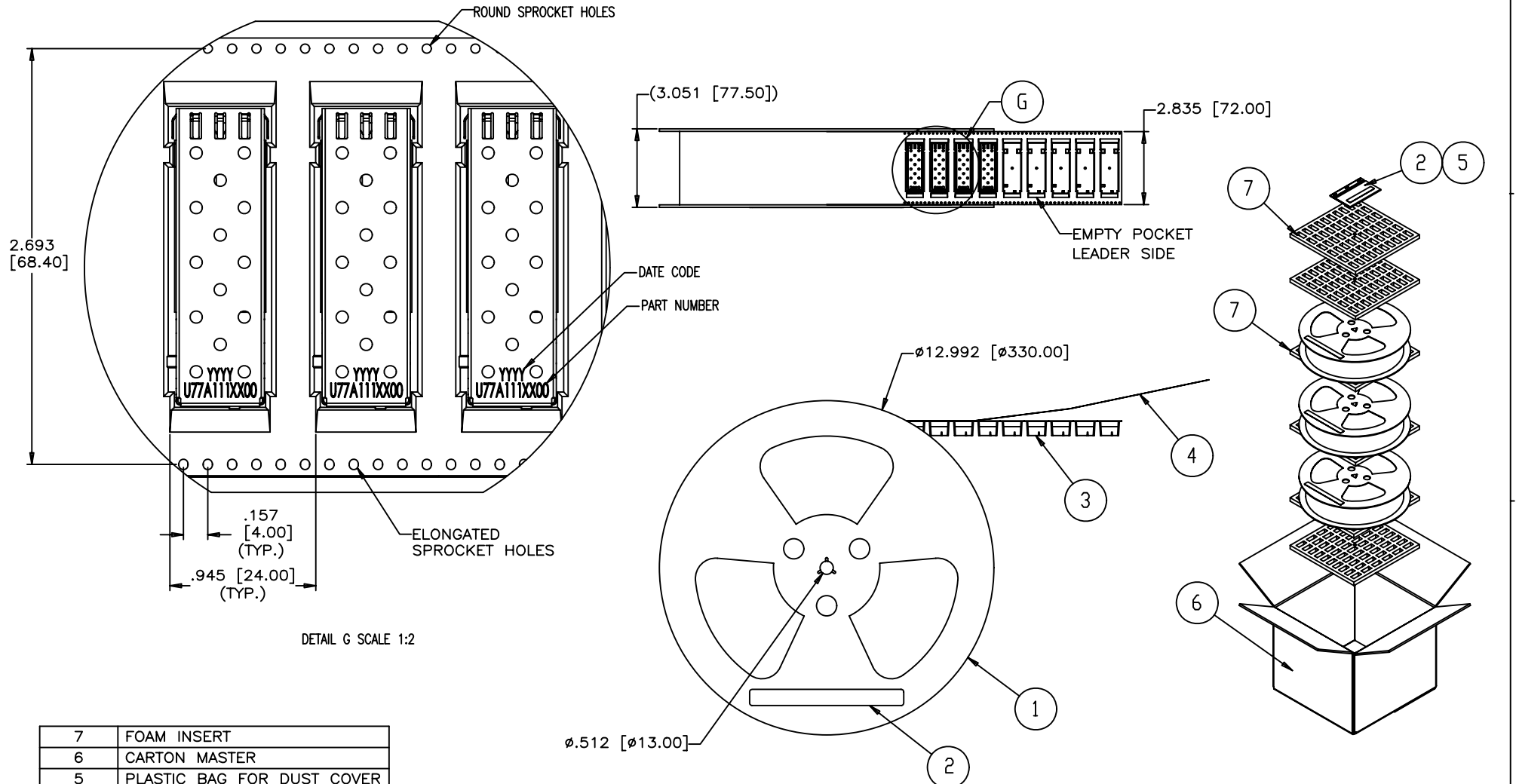
| | | |
|--|------------------|------------------------------------|
| Amphenol Canada Corp. | | |
| TITLE SFP SINGLE CAGE WITH SOLDER PINS (TRAY PACKAGING REFERENCE) | | |
| DWG | DRAWING NO. | REV. |
| A | P-U77-A111X-XX0X | F |
| SCALE | 1:8 | WT. _____ SURF. _____ SHEET 5 OF 7 |

THIS DOCUMENT CONTAINS PROPRIETARY INFORMATION AND SUCH INFORMATION MAY NOT BE DISCLOSED TO OTHERS FOR ANY PURPOSE OR USED FOR MANUFACTURING PURPOSES WITHOUT WRITTEN PERMISSION FROM AMPHENOL CANADA CORP.

NOTES:

1. A FULLY LOADED REEL TO CONTAIN 150 CAGES.
2. A FULLY LOADED CARTON SHALL CONTAIN 3 REELS.

| REVISIONS | | | | |
|-----------|------|-------------------------|----------|--------|
| SYM | ZONE | ECN, ERN NO. | DATE | APPRD. |
| F | | PACKAGING DETAILS ADDED | AUG14/07 | A.G. |
| | | | | |
| | | | | |



DETAIL G SCALE 1:2

U77-A111X-XX0T SHOWN

| 7 | FOAM INSERT |
|----------|----------------------------|
| 6 | CARTON MASTER |
| 5 | PLASTIC BAG FOR DUST COVER |
| 4 | COVER TAPE |
| 3 | CARRIER TAPE |
| 2 | LABEL |
| 1 | PLASTIC REEL (SET) |
| ITEM No. | DESCRIPTION |

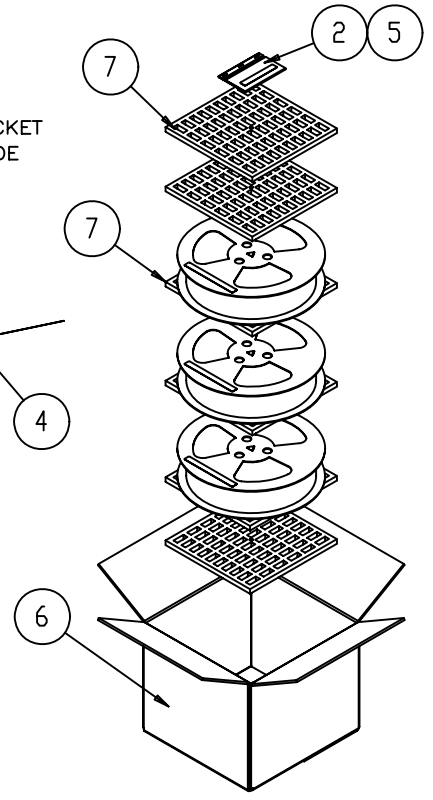
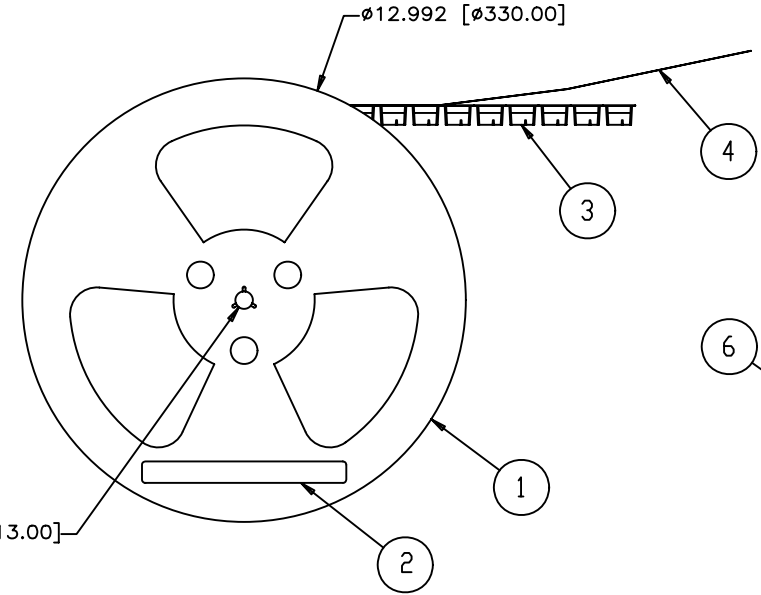
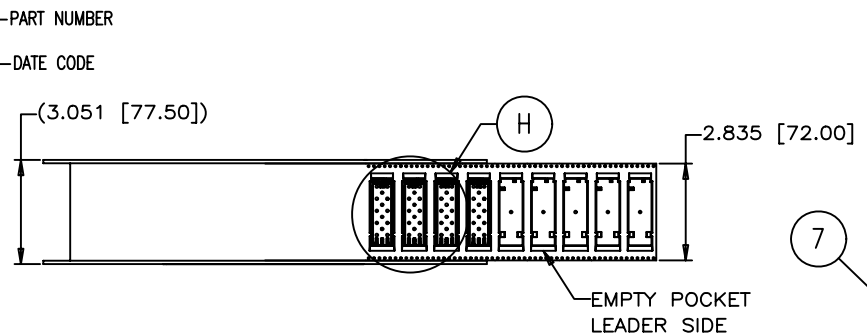
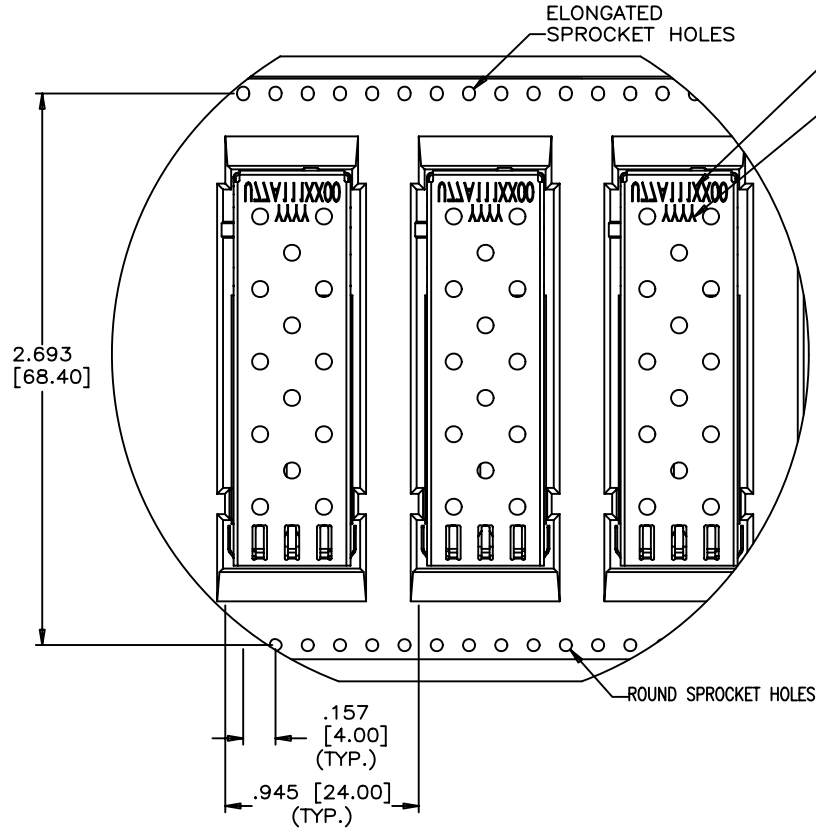
| | | | | |
|-------------------|-------------|--------------|----------|--|
| DRAWN | J.SI | DATE | AUG12/07 | Amphenol Canada Corp. TITLE SFP SINGLE CAGE WITH SOLDER PINS (T&R PACKAGING STD CAGE ORIENTATION) |
| DESIGNED | J.SI | DATE | AUG12/07 | |
| CHECKED | X | | X | |
| DWG. APPRD. | | | | DWG. A DRAWING NO. P-U77-A111X-XX0X REV. F |
| ENG. REL. NO. | | | | |
| REF. | X | | | SCALE 1:8 WT. _____ SURF. _____ SHEET 6 OF 7 |
| DIMENSIONS ARE IN | INCHES (mm) | CODE ID. NO. | 03554 | |

THIS DOCUMENT CONTAINS PROPRIETARY INFORMATION AND SUCH INFORMATION MAY NOT BE DISCLOSED TO OTHERS FOR ANY PURPOSE OR USED FOR MANUFACTURING PURPOSES WITHOUT WRITTEN PERMISSION FROM AMPHENOL CANADA CORP.

NOTES:

1. A FULLY LOADED REEL TO CONTAIN 150 CAGES.
2. A FULLY LOADED CARTON SHALL CONTAIN 3 REELS.

| REVISIONS | | | | |
|-----------|------|-------------------------|----------|--------|
| SYM | ZONE | ECN, ERN NO. | DATE | APPRD. |
| F | | PACKAGING DETAILS ADDED | AUG14/07 | A.G. |
| | | | | |
| | | | | |



DETAIL H SCALE 1:2

U77-A111X-XX0R SHOWN

| ITEM No. | DESCRIPTION |
|----------|----------------------------|
| 7 | FOAM INSERT |
| 6 | CARTON MASTER |
| 5 | PLASTIC BAG FOR DUST COVER |
| 4 | COVER TAPE |
| 3 | CARRIER TAPE |
| 2 | LABEL |
| 1 | PLASTIC REEL (SET) |

| | | | |
|-------------------|-------------|--------------|----------|
| DRAWN | J.SI | DATE | AUG12/07 |
| DESIGNED | J.SI | DATE | AUG12/07 |
| CHECKED | X | | X |
| DWG. APPRD. | | | |
| ENG. REL. NO. | | | |
| REF. | X | | |
| DIMENSIONS ARE IN | INCHES (mm) | CODE ID. NO. | 03554 |

| | | |
|--|------------------|------------------------------------|
| Amphenol Canada Corp. | | |
| TITLE SFP SINGLE CAGE WITH SOLDER PINS (T&R PACKAGING STD CAGE ORIENTATION) | | |
| DWG | DRAWING NO. | REV. |
| A | P-U77-A111X-XX0X | F |
| SCALE | 1:8 | WT. _____ SURF. _____ SHEET 6 OF 7 |

THIS DOCUMENT CONTAINS PROPRIETARY INFORMATION AND SUCH INFORMATION MAY NOT BE DISCLOSED TO OTHERS FOR ANY PURPOSE OR USED FOR MANUFACTURING PURPOSES WITHOUT WRITTEN PERMISSION FROM AMPHENOL CANADA CORP.

Компания «Океан Электроники» предлагает заключение долгосрочных отношений при поставках импортных электронных компонентов на взаимовыгодных условиях!

Наши преимущества:

- Поставка оригинальных импортных электронных компонентов напрямую с производств Америки, Европы и Азии, а так же с крупнейших складов мира;
- Широкая линейка поставок активных и пассивных импортных электронных компонентов (более 30 млн. наименований);
- Поставка сложных, дефицитных, либо снятых с производства позиций;
- Оперативные сроки поставки под заказ (от 5 рабочих дней);
- Экспресс доставка в любую точку России;
- Помощь Конструкторского Отдела и консультации квалифицированных инженеров;
- Техническая поддержка проекта, помощь в подборе аналогов, поставка прототипов;
- Поставка электронных компонентов под контролем ВП;
- Система менеджмента качества сертифицирована по Международному стандарту ISO 9001;
- При необходимости вся продукция военного и аэрокосмического назначения проходит испытания и сертификацию в лаборатории (по согласованию с заказчиком);
- Поставка специализированных компонентов военного и аэрокосмического уровня качества (Xilinx, Altera, Analog Devices, Intersil, Interpoint, Microsemi, Actel, Aeroflex, Peregrine, VPT, Syfer, Eurofarad, Texas Instruments, MS Kennedy, Miteq, Cobham, E2V, MA-COM, Hittite, Mini-Circuits, General Dynamics и др.);

Компания «Океан Электроники» является официальным дистрибьютором и эксклюзивным представителем в России одного из крупнейших производителей разъемов военного и аэрокосмического назначения «JONHON», а так же официальным дистрибьютором и эксклюзивным представителем в России производителя высокотехнологичных и надежных решений для передачи СВЧ сигналов «FORSTAR».



JONHON

«JONHON» (основан в 1970 г.)

Разъемы специального, военного и аэрокосмического назначения:

(Применяются в военной, авиационной, аэрокосмической, морской, железнодорожной, горно- и нефтедобывающей отраслях промышленности)

«FORSTAR» (основан в 1998 г.)

ВЧ соединители, коаксиальные кабели, кабельные сборки и микроволновые компоненты:

(Применяются в телекоммуникациях гражданского и специального назначения, в средствах связи, РЛС, а так же военной, авиационной и аэрокосмической отраслях промышленности).



Телефон: 8 (812) 309-75-97 (многоканальный)

Факс: 8 (812) 320-03-32

Электронная почта: ocean@oceanchips.ru

Web: <http://oceanchips.ru/>

Адрес: 198099, г. Санкт-Петербург, ул. Калинина, д. 2, корп. 4, лит. А