

5.5kV E-Rated

Medium voltage fuses for feeder circuit, switchgear and transformer protection



Description:

- E-Rated, current-limiting, medium voltage fuses for feeder circuit, switchgear and transformer protection.

Features and benefits

- Current-limiting E-Rated medium voltage fuses are defined by their melting time-current characteristic that permit their electrical interchangeability with other fuses of the same E Rating.
- E-Rated fuses must have a defined current response time specified by ANSI C37.46. E-Rated fuse of 100 amps and below must melt in 300 seconds at an RMS current within the range of 200% to 240% of the fuse's nameplate current rating. E-Rated fuses greater than 100 amps must melt in 600 seconds at an RMS current within the range of 220% to 264% of the fuse's nameplate current rating.
- E-Rated fuses are physically dimensioned for easy installation in existing hardware.
- Current-limiting fuses provide positive interruption even on low fault currents. The fuse limits the magnitude of electromechanical stresses in the protected apparatus.
- Constructions available in ferrule, bolt-on and clip-lock, and specialty mount fuses for AMPGARD™ motor starters.
- Outdoor rating available on select catalog numbers (requires installation in a suitable enclosure).
- Open fuse indicator easily integrates into automation schemes and speeds troubleshooting by providing a positive visual indication of fuse operation.
- 50/60Hz operating frequency for worldwide application.
- Mountings are available in disconnect and non-disconnect versions with porcelain or glass polyester insulators.
- Live parts and end fittings available.

Typical applications:

- Medium voltage transformer primary protection
- Medium voltage feeder circuit protection
- Medium voltage switches
- Medium voltage metal-enclosed switchgear



Powering Business Worldwide

E-Rated medium voltage ferrule fuses

Catalog symbols:

- General purpose:
 - 5CLE-E-D (10-25A)
 - 5CLE-E (10-1350A)
 - 5HLE-E (10-450A)
 - JCY-E (1-25A)
- Full range (per ANSI C37.40)
 - MV055F- (10-450A)

Ratings*:

- Volts
 - 5.5kV
- Amps
 - 1 to 1350A
- Interrupting ratings
 - 40 to 63kA RMS Sym

* See catalog number tables for voltages, ampacities and interrupting ratings by catalog number.

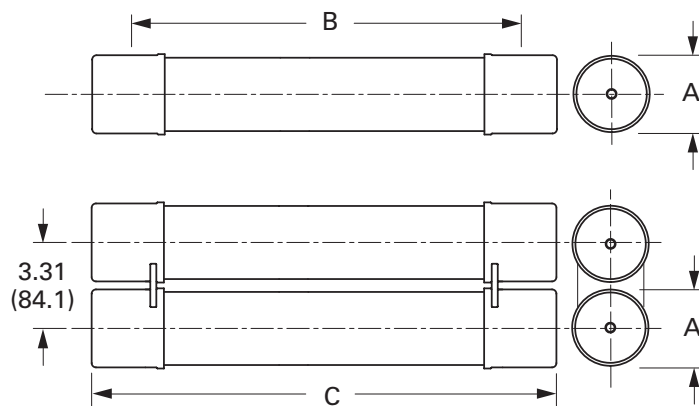
Agency information:

- E-Rated fuses meet the performance characteristics of ANSI C37.46
- UL® Listed, Guide JEEG, File E240398. See catalog numbers.

Recommended fuseclips and holders:

CLE and HLE

Dimensions (see catalog number tables for values)



| Amp rating | Fuse mounting type* | Voltage BIL (kV) | Catalog number | | | | | | |
|--|---------------------|------------------|----------------------------------|---------------|--------------|---|---------------------------|-------------------------------------|--------------------------------|
| | | | Approximate dimensions - in (mm) | | | Mounting (including live parts, end fittings)** | | Live parts (including end fittings) | End fittings (disconnect only) |
| | | | Diameter A | Clip center B | Length C | Porcelain insulator | Glass-polyester insulator | | |
| CLE | | | | | | | | | |
| 10E-D-25E-D 30E-250E Single barrel | Non-disconnect | 60 | 3.0 (76.2) | 14.0 (355.6) | 17.9 (454.7) | 5CLE-PNM-D | 5CLE-GNM-D | CLE-NL-D | — |
| | Disconnect† | 60 | | | | 5CLE-PDM-D | 5CLE-GDM-D | CLE-DL-D | CLE-DF-D |
| 15E-25E Single barrel | Non-disconnect | 60 | 2.0 (50.8) | 11.5 (292.1) | 12.9 (327.7) | 5CLE-PNM-C | 5CLE-GNM-C | CLE-NL-C | — |
| | Disconnect† | 60 | | | | 5CLE-PDM-C | 5CLE-GDM-C | CLE-DL-C | CLE-DF-C |
| 300E-450E Double barrel | Non-disconnect | 60 | 3.0 (76.2) | 14.0 (355.6) | 17.9 (454.7) | 5CLE-PNM-E | 5CLE-GNM-E | CLE-NL-E | — |
| | Disconnect† | 60 | | | | 5CLE-PDM-E | 5CLE-GDM-E | CLE-DL-E | CLE-DF-E |
| 600E and 750E Double barrel | Consult factory | 60 | 4.0 (101.6) | N/A | N/A | — | — | — | — |
| 1100E and 1350E Four barrel | Consult factory | — | 4.0 (101.6) | N/A | N/A | — | — | — | — |
| HLE | | | | | | | | | |
| 10E-D-250E Single barrel | Non-disconnect | 60 | 3.0 (76.2) | 12.0 (304.8) | 15.9 (403.9) | 5HLE-PNM-D | 5HLE-GNM-D | CLE-NL-D | — |
| | Disconnect | 60 | | | | 5HLE-PDM-D | 5HLE-GDM-D | CLE-DL-D | CLE-DF-D |
| 300E-450E Double barrel | Non-disconnect | 60 | 3.0 (76.2) | 12.0 (304.8) | 15.9 (403.9) | 5HLE-PNM-E | 5HLE-GNM-E | CLE-NL-E | — |
| | Disconnect | 60 | | | | 5HLE-PDM-E | 5HLE-GDM-E | CLE-DL-E | CLE-DF-E |

* See page 12 for illustrations and dimensions

** End fittings supplied only when required.

† Disconnect mountings provide a means for fuse extraction only. Do not use a disconnect mounting for load switching or fuse removal while energized.

CLE, HLE and JCY general purpose

| Amp rating | Dimensions - in (mm) | | | Interrupting rating kA (RMS Sym.) | Number of barrels | Installation location | Catalog number |
|------------|----------------------|------------|----------------|-----------------------------------|-------------------|-----------------------|----------------|
| | Length A | Diameter B | Clip centers C | | | | |
| 1 | 11.2 (284) | 2 (51) | 9 (229) | 40 | 1 | Indoor/outdoor | JCY-1E |
| 2 | 11.2 (284) | 2 (51) | 9 (229) | 40 | 1 | Indoor/outdoor | JCY-2E |
| 3 | 11.2 (284) | 2 (51) | 9 (229) | 40 | 1 | Indoor/outdoor | JCY-3E |
| 5 | 11.2 (284) | 2 (51) | 9 (229) | 40 | 1 | Indoor/outdoor | JCY-5E |
| 7 | 11.2 (284) | 2 (51) | 9 (229) | 40 | 1 | Indoor/outdoor | JCY-7E |
| 10 | 11.2 (284) | 2 (51) | 9 (229) | 40 | 1 | Indoor/outdoor | JCY-10E |
| 10 | 17.9 (455) | 3 (76) | 14 (356) | 63 | 1 | Indoor/outdoor | 5CLE-10E-D |
| 10 | 15.9 (404) | 3 (76) | 12 (305) | 63 | 1 | Indoor/outdoor | 5HLE-10E |
| 15 | 11.2 (284) | 2 (51) | 9 (229) | 40 | 1 | Indoor/outdoor | JCY-15E |
| 15 | 12.9 (328) | 2 (51) | 11.5 (292) | 50 | 1 | Indoor | 5CLE-15E* |
| 15 | 17.9 (455) | 3 (76) | 14 (356) | 63 | 1 | Indoor/outdoor | 5CLE-15E-D |
| 15 | 15.9 (404) | 3 (76) | 12 (305) | 63 | 1 | Indoor/outdoor | 5HLE-15E |
| 20 | 11.2 (284) | 2 (51) | 9 (229) | 40 | 1 | Indoor/outdoor | JCY-20E |
| 20 | 12.9 (328) | 2 (51) | 11.5 (292) | 50 | 1 | Indoor | 5CLE-20E* |
| 20 | 17.9 (455) | 3 (76) | 14 (356) | 63 | 1 | Indoor/outdoor | 5CLE-20E-D |
| 20 | 15.9 (404) | 3 (76) | 12 (305) | 63 | 1 | Indoor/outdoor | 5HLE-20E |
| 25 | 11.2 (284) | 2 (51) | 9 (229) | 40 | 1 | Indoor/outdoor | JCY-25E |
| 25 | 12.9 (328) | 2 (51) | 11.5 (292) | 50 | 1 | Indoor | 5CLE-25E* |
| 25 | 17.9 (455) | 3 (76) | 14 (356) | 63 | 1 | Indoor/outdoor | 5CLE-25E-D |
| 25 | 15.9 (404) | 3 (76) | 12 (305) | 63 | 1 | Indoor/outdoor | 5HLE-25E |
| 30 | 17.9 (455) | 3 (76) | 14 (356) | 63 | 1 | Indoor/outdoor | 5CLE-30E |
| 30 | 15.9 (404) | 3 (76) | 12 (305) | 63 | 1 | Indoor/outdoor | 5HLE-30E |
| 40 | 17.9 (455) | 3 (76) | 14 (356) | 50 | 1 | Indoor/outdoor | 5CLE-40E† |
| 40 | 15.9 (404) | 3 (76) | 12 (305) | 63 | 1 | Indoor/outdoor | 5HLE-40E† |
| 50 | 17.9 (455) | 3 (76) | 14 (356) | 50 | 1 | Indoor/outdoor | 5CLE-50E† |
| 50 | 15.9 (404) | 3 (76) | 12 (305) | 63 | 1 | Indoor/outdoor | 5HLE-50E† |
| 65 | 17.9 (455) | 3 (76) | 14 (356) | 50 | 1 | Indoor/outdoor | 5CLE-65E† |
| 65 | 15.9 (404) | 3 (76) | 12 (305) | 63 | 1 | Indoor/outdoor | 5HLE-65E† |
| 80 | 17.9 (455) | 3 (76) | 14 (356) | 50 | 1 | Indoor/outdoor | 5CLE-80E† |
| 80 | 15.9 (404) | 3 (76) | 12 (305) | 63 | 1 | Indoor/outdoor | 5HLE-80E† |
| 100 | 17.9 (455) | 3 (76) | 14 (356) | 50 | 1 | Indoor/outdoor | 5CLE-100E† |
| 100 | 15.9 (404) | 3 (76) | 12 (305) | 63 | 1 | Indoor/outdoor | 5HLE-100E† |
| 125 | 17.9 (455) | 3 (76) | 14 (356) | 50 | 1 | Indoor/outdoor | 5CLE-125E† |
| 125 | 15.9 (404) | 3 (76) | 12 (305) | 63 | 1 | Indoor/outdoor | 5HLE-125E† |
| 150 | 17.9 (455) | 3 (76) | 14 (356) | 63 | 1 | Indoor/outdoor | 5CLE-150E† |
| 150 | 15.9 (404) | 3 (76) | 12 (305) | 63 | 1 | Indoor/outdoor | 5HLE-150E† |
| 175 | 17.9 (455) | 3 (76) | 14 (356) | 63 | 1 | Indoor/outdoor | 5CLE-175E† |
| 175 | 15.9 (404) | 3 (76) | 12 (305) | 63 | 1 | Indoor/outdoor | 5HLE-175E† |
| 200 | 17.9 (455) | 3 (76) | 14 (356) | 63 | 1 | Indoor/outdoor | 5CLE-200E† |
| 200 | 15.9 (404) | 3 (76) | 12 (305) | 63 | 1 | Indoor/outdoor | 5HLE-200E† |
| 250 | 17.9 (455) | 3 (76) | 14 (356) | 63 | 1 | Indoor/outdoor | 5CLE-250E† |
| 250 | 15.9 (404) | 3 (76) | 12 (305) | 63 | 1 | Indoor/outdoor | 5HLE-250E† |
| 300 | 17.9 (455) | 3 (76) | 14 (356) | 63 | 2 | Indoor/outdoor | 5CLE-300E† |
| 300 | 15.9 (404) | 3 (76) | 12 (305) | 63 | 2 | Indoor/outdoor | 5HLE-300E† |
| 350 | 17.9 (455) | 3 (76) | 14 (356) | 63 | 2 | Indoor/outdoor | 5CLE-350E† |
| 350 | 15.9 (404) | 3 (76) | 12 (305) | 63 | 2 | Indoor/outdoor | 5HLE-350E† |
| 400 | 17.9 (455) | 3 (76) | 14 (356) | 63 | 2 | Indoor/outdoor | 5CLE-400E† |
| 400 | 15.9 (404) | 3 (76) | 12 (305) | 63 | 2 | Indoor/outdoor | 5HLE-400E† |
| 450 | 17.9 (455) | 3 (76) | 14 (356) | 63 | 2 | Indoor/outdoor | 5CLE-450E† |
| 450 | 15.9 (404) | 3 (76) | 12 (305) | 63 | 2 | Indoor/outdoor | 5HLE-450E† |

* Fuses conform to dimensional standards established by Westinghouse.

† UL Listed, Guide JEEG, File E240398.

5.5kV time-current curves — minimum melt for JCY_E fuses



JCY-

5.5kV time-current curves – total clear for JCY_E fuses



JCY-

MV055 full range

| Amp rating | Dimensions - in (mm) | | | Interrupting rating kA (RMS Sym.) | Number of barrels | Installation location | Catalog number |
|------------|----------------------|------------|----------------|-----------------------------------|-------------------|-----------------------|----------------|
| | Length A | Diameter B | Clip centers C | | | | |
| 5 | 15.7 (399) | 2 (51) | 12 (305) | 50 | 1 | Indoor | MV055F1CAX5E |
| 7 | 15.7 (399) | 2 (51) | 12 (305) | 50 | 1 | Indoor | MV055F1CAX7E |
| 10 | 15.7 (399) | 2 (51) | 12 (305) | 50 | 1 | Indoor | MV055F1CAX10E |
| 10 | 15.7 (399) | 3 (76) | 12 (305) | 50 | 1 | Indoor | MV055F1DAX10E |
| 15 | 15.7 (399) | 2 (51) | 12 (305) | 50 | 1 | Indoor | MV055F1CAX15E |
| 15 | 15.7 (399) | 3 (76) | 12 (305) | 50 | 1 | Indoor | MV055F1DAX15E |
| 20 | 15.7 (399) | 2 (51) | 12 (305) | 50 | 1 | Indoor | MV055F1CAX20E |
| 20 | 15.7 (399) | 3 (76) | 12 (305) | 50 | 1 | Indoor | MV055F1DAX20E |
| 25 | 15.7 (399) | 2 (51) | 12 (305) | 50 | 1 | Indoor | MV055F1CAX25E |
| 25 | 15.7 (399) | 3 (76) | 12 (305) | 50 | 1 | Indoor | MV055F1DAX25E |
| 30 | 15.7 (399) | 2 (51) | 12 (305) | 50 | 1 | Indoor | MV055F1CAX30E |
| 30 | 15.7 (399) | 3 (76) | 12 (305) | 50 | 1 | Indoor | MV055F1DAX30E |
| 40 | 15.7 (399) | 2 (51) | 12 (305) | 50 | 1 | Indoor | MV055F1CAX40E |
| 40 | 15.7 (399) | 3 (76) | 12 (305) | 50 | 1 | Indoor | MV055F1DAX40E |
| 50 | 15.7 (399) | 2 (51) | 12 (305) | 50 | 1 | Indoor | MV055F1CAX50E |
| 50 | 15.7 (399) | 3 (76) | 12 (305) | 50 | 1 | Indoor | MV055F1DAX50E |
| 65 | 15.7 (399) | 2 (51) | 12 (305) | 50 | 1 | Indoor | MV055F1CAX65E |
| 65 | 15.7 (399) | 3 (76) | 12 (305) | 50 | 1 | Indoor | MV055F1DAX65E |
| 80 | 15.7 (399) | 3 (76) | 12 (305) | 50 | 1 | Indoor | MV055F1DAX80E |
| 100 | 15.7 (399) | 3 (76) | 12 (305) | 50 | 1 | Indoor | MV055F1DAX100E |
| 125 | 15.7 (399) | 3 (76) | 12 (305) | 50 | 1 | Indoor | MV055F1DAX125E |
| 150 | 15.7 (399) | 3 (76) | 12 (305) | 50 | 1 | Indoor | MV055F1DAX150E |
| 175 | 15.7 (399) | 3 (76) | 12 (305) | 50 | 1 | Indoor | MV055F1DAX175E |
| 200 | 15.7 (399) | 3 (76) | 12 (305) | 50 | 1 | Indoor | MV055F1DAX200E |
| 250 | 15.7 (399) | 3 (76) | 12 (305) | 50 | 2 | Indoor | MV055F2DAX250E |
| 300 | 15.7 (399) | 3 (76) | 12 (305) | 50 | 2 | Indoor | MV055F2DAX300E |
| 350 | 15.7 (399) | 3 (76) | 12 (305) | 50 | 2 | Indoor | MV055F2DAX350E |
| 400 | 15.7 (399) | 3 (76) | 12 (305) | 50 | 2 | Indoor | MV055F2DAX400E |
| 450 | 15.7 (399) | 3 (76) | 12 (305) | 50 | 2 | Indoor | MV055F2DAX450E |

Recommended MV055 fuseclips:

| Description | Fuse diameter - in (mm) | Figure | Clip dimensions - in (mm) | | | | | | | Catalog number |
|-----------------------------|-------------------------|--------|---------------------------|-----------|-----------|-----------|------------|-----------|----------|----------------|
| | | | A | B | C | D | E | F | G | |
| Enclosed fuseclip | 2 (51) | 1 | 3.75 (95) | 1.98 (50) | 2.01 (51) | 1.19 (30) | 4.54 (115) | 1.51 (38) | 0.4 (10) | A3354710* |
| Enclosed fuseclip | 3 (76) | 1 | 4.14 (105) | 2.45 (62) | 3.01 (76) | 1.19 (30) | 5.64 (143) | 1.51 (38) | 0.4 (10) | A3354730* |
| Open fuseclip | 3 (76) | 2 | See dimensions drawing | | | | | | | 1A0065 |
| Spring loaded open fuseclip | 3 (76) | 3 | See dimensions drawing | | | | | | | 9078A67G04 |

*For single barrel applications only. Not sold in pairs.

Figure 1



Figure 2



Figure 3



5.5kV time-current curves – minimum melt for MV055_ 2 inch diameter fuses



5.5kV time-current curves – total clear for MV055_ 2 inch diameter fuses



5.5kV time-current curves – minimum melt for MV055_ 3 inch diameter fuses



5.5kV time-current curves – total clear for MV055_ 3 inch diameter fuses



5.5kV peak let-through for MV055_ 2 and 3 inch diameter fuses



MV055_ (2 and 3 inch diameter)

CLE and HLE type mountings - in (mm)

| Catalog number | Hole centers | | Overall length C | Hole Inset D | Hole centers E | Contact height F | Overall height G | BIL kV |
|-------------------------------------|---------------|-----------|---------------------|-----------------|-------------------|---------------------|---------------------|-----------|
| | A | B | | | | | | |
| Disconnect single barrel† | | | | | | | | |
| 5CLE-GDM-C | 12.74 (323.6) | 6 (152.4) | 25.5 (647.7) | 0.75 (19) | 1.75 (44.4) | 4.5 (114.3) | 9.75 (247.6) | 60 |
| 5CLE-PDM-C | 12.74 (323.6) | 6 (152.4) | 25.5 (647.7) | 0.75 (19) | 1.75 (44.4) | 4.5 (114.3) | 9.75 (247.6) | 60 |
| 5CLE-GDM-D | 15.24 (387.1) | 6 (152.4) | 25 (635) | 0.62 (15.7) | 1.75 (44.4) | 4.5 (114.3) | 11.72 (297.7) | 60 |
| 5CLE-PDM-D | 15.24 (387.1) | 6 (152.4) | 25 (635) | 0.62 (15.7) | 1.75 (44.4) | 4.5 (114.3) | 11.72 (297.7) | 60 |
| 5HLE-GDM-D | 16.25 (412.8) | 6 (152.4) | 23 (584.2) | 0.62 (15.7) | 1.75 (44.4) | 4.5 (114.3) | 11.72 (297.7) | 60 |
| 5HLE-PDM-D | 16.25 (412.8) | 6 (152.4) | 23 (584.2) | 0.62 (15.7) | 1.75 (44.4) | 4.5 (114.3) | 11.72 (297.7) | 60 |
| Disconnect double barrel† | | | | | | | | |
| 5CLE-GDM-E | 15.24 (387.1) | 6 (152.4) | 25 (635) | 0.62 (15.7) | 1.75 (44.4) | 4.5 (114.3) | 15.28 (388.1) | 60 |
| 5CLE-PDM-E | 15.24 (387.1) | 6 (152.4) | 25 (635) | 0.62 (15.7) | 1.75 (44.4) | 4.5 (114.3) | 15.28 (388.1) | 60 |
| 5HLE-GDM-E | 16.25 (412.8) | 6 (152.4) | 23 (584.2) | 0.62 (15.7) | 1.75 (44.4) | 4.5 (114.3) | 15.28 (388.1) | 60 |
| 5HLE-PDM-E | 16.25 (412.8) | 6 (152.4) | 23 (584.2) | 0.62 (15.7) | 1.75 (44.4) | 4.5 (114.3) | 15.28 (388.1) | 60 |
| Non-disconnect single barrel | | | | | | | | |
| 5CLE-GNM-C | 12.75 (323.8) | 6 (152.4) | 22 (558.8) | 0.75 (19) | 1.75 (44.4) | 4.5 (114.3) | 7.25 (184.1) | 60 |
| 5CLE-PNM-C | 12.75 (323.8) | 6 (152.4) | 22 (558.8) | 0.75 (19) | 1.75 (44.4) | 4.5 (114.3) | 7.25 (184.1) | 60 |
| 5CLE-GNM-D | 15.24 (387.1) | 6 (152.4) | 25 (635) | 0.62 (15.7) | 1.75 (44.4) | 4.5 (114.3) | 8.79 (223.3) | 60 |
| 5CLE-PNM-D | 15.24 (387.1) | 6 (152.4) | 25 (635) | 0.62 (15.7) | 1.75 (44.4) | 4.5 (114.3) | 8.79 (223.3) | 60 |
| 5HLE-GNM-D | 16.25 (412.7) | 6 (152.4) | 23 (584.2) | 0.62 (15.7) | 1.75 (44.4) | 4.5 (114.3) | 8.79 (223.3) | 60 |
| 5HLE-PNM-D | 16.25 (412.7) | 6 (152.4) | 23 (584.2) | 0.62 (15.7) | 1.75 (44.4) | 4.5 (114.3) | 8.79 (223.3) | 60 |
| Non-disconnect double barrel | | | | | | | | |
| 5CLE-GNM-E | 15.24 (387.1) | 6 (152.4) | 25 (635) | 0.62 (15.7) | 1.42 (36.1) | 4.5 (114.3) | 12.48 (317) | 60 |
| 5CLE-PNM-E | 15.24 (387.1) | 6 (152.4) | 25 (635) | 0.62 (15.7) | 1.42 (36.1) | 4.5 (114.3) | 12.48 (317) | 60 |
| 5HLE-GNM-E | 16.25 (412.7) | 6 (152.4) | 23 (584.2) | 0.62 (15.7) | 1.75 (44.4) | 4.5 (114.3) | 12.48 (317) | 60 |
| 5HLE-PNM-E | 16.25 (412.7) | 6 (152.4) | 23 (584.2) | 0.62 (15.7) | 1.75 (44.4) | 4.5 (114.3) | 12.48 (317) | 60 |

CLE and HLE type disconnect mounting†



CLE and HLE type non-disconnect mounting



† Disconnect mountings provide a means for fuse extraction only. Do not use a disconnect mounting for load switching or fuse removal while energized.

E-Rated medium voltage specialty mount fuses

Catalog symbols:

- _AHLE-_E (for Eaton AMPGARD motor starting assemblies)
- _BHLE-_E/_BHCL-_E (bolt-on version)
- _HCL-_E (clip-lock version)

Ratings*:

- Volts
 - 5.5kV
- Amps
 - 10 to 900A
- Interrupting ratings
 - 31 to 63kA RMS Sym

* See catalog number tables for voltages, ampacities and interrupting ratings by catalog number.

Agency information:

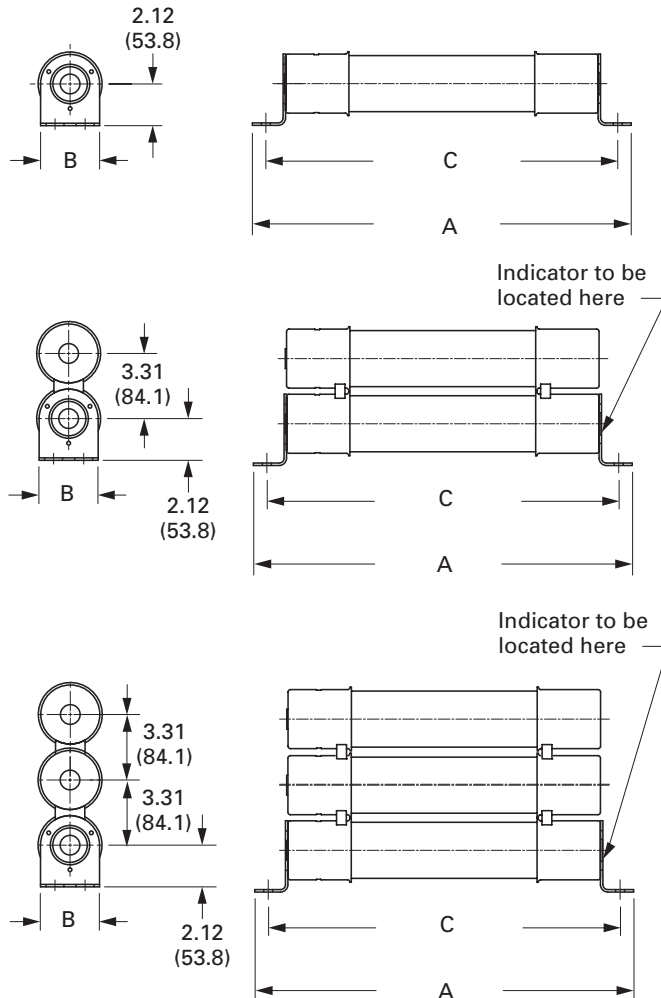
- E-Rated fuses meet the performance characteristics of ANSI C37.46

Recommended live parts for clip-lock fuses

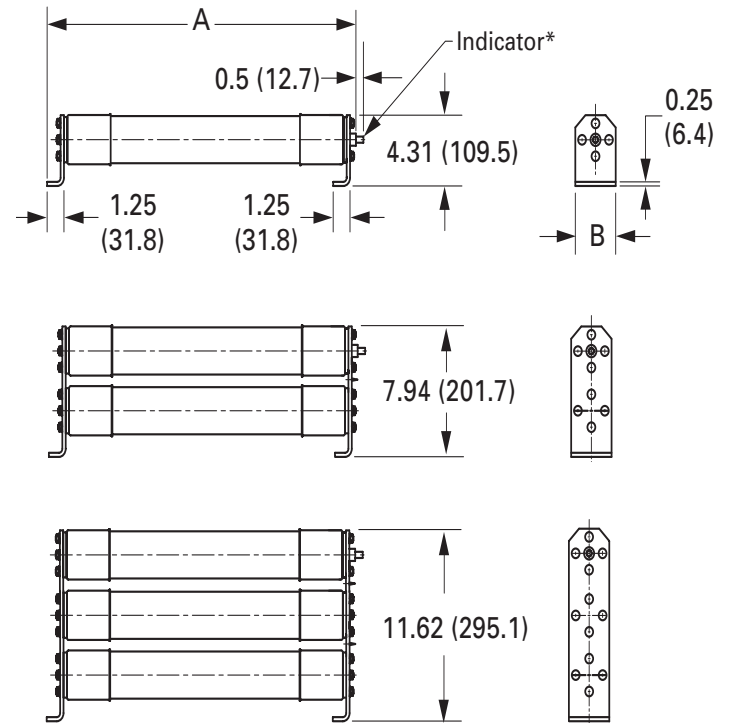
- Catalog number HCL-NL-1

Dimensions - in (mm)

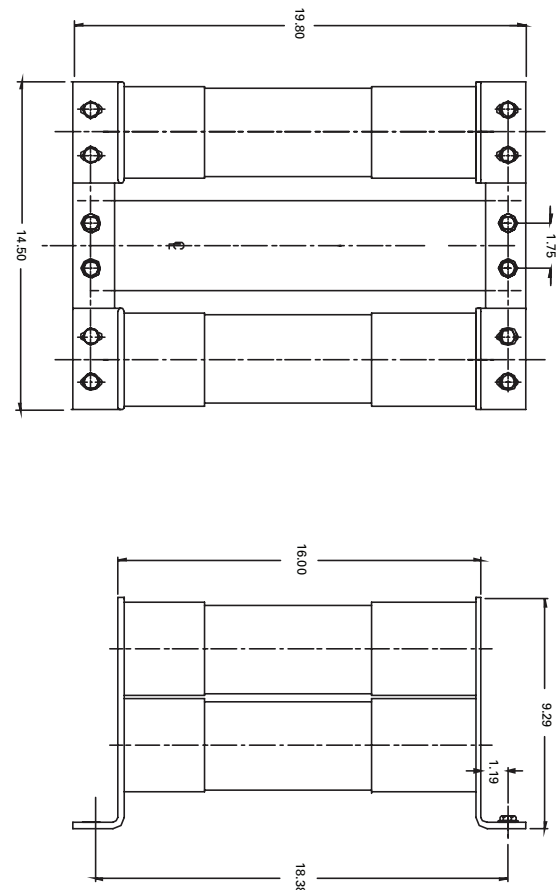
BHLE bolt-on



HCL clip-lock



CLE four barrel bolt-on



AHLE for Eaton AMPGARD motor starting assemblies

| Amp rating | Interrupting rating kA (RMS Sym.) | Number of barrels | Catalog number |
|------------|-----------------------------------|-------------------|----------------|
| 10 | 63 | 1 | 5AHLE-10E |
| 15 | 63 | 1 | 5AHLE-15E |
| 20 | 63 | 1 | 5AHLE-20E |
| 25 | 63 | 1 | 5AHLE-25E |
| 30 | 63 | 1 | 5AHLE-30E |
| 40 | 63 | 1 | 5AHLE-40E† |
| 50 | 63 | 1 | 5AHLE-50E† |
| 65 | 63 | 1 | 5AHLE-65E† |
| 80 | 63 | 1 | 5AHLE-80E† |
| 100 | 63 | 1 | 5AHLE-100E† |
| 125 | 63 | 1 | 5AHLE-125E† |
| 150 | 63 | 1 | 5AHLE-150E† |
| 175 | 63 | 1 | 5AHLE-175E† |
| 200 | 63 | 1 | 5AHLE-200E† |
| 250 | 63 | 1 | 5AHLE-250E† |
| 300 | 63 | 2 | 5AHLE-300E† |
| 350 | 63 | 2 | 5AHLE-350E† |
| 400 | 63 | 2 | 5AHLE-400E† |
| 450 | 63 | 2 | 5AHLE-450E† |

† UL Listed, Guide JEEG, File E240398.

HCL clip-lock versions

| Amp rating | Dimensions - in (mm) | | | Interrupting rating kA (RMS Sym.) | Number of barrels | Installation location | Catalog number |
|------------|----------------------|------------|----------------|-----------------------------------|-------------------|-----------------------|----------------|
| | Overall length A | Diameter B | Hole centers C | | | | |
| 10 | 16.8 (427) | 3 (76) | N/A | 63 | 1 | Indoor | 5HCL-10E |
| 15 | 16.8 (427) | 3 (76) | N/A | 63 | 1 | Indoor | 5HCL-15E |
| 20 | 16.8 (427) | 3 (76) | N/A | 63 | 1 | Indoor | 5HCL-20E |
| 25 | 16.8 (427) | 3 (76) | N/A | 63 | 1 | Indoor | 5HCL-25E |
| 30 | 16.8 (427) | 3 (76) | N/A | 63 | 1 | Indoor | 5HCL-30E |
| 40 | 16.8 (427) | 3 (76) | N/A | 63 | 1 | Indoor | 5HCL-40E† |
| 50 | 16.8 (427) | 3 (76) | N/A | 63 | 1 | Indoor | 5HCL-50E† |
| 65 | 16.8 (427) | 3 (76) | N/A | 63 | 1 | Indoor | 5HCL-65E† |
| 80 | 16.8 (427) | 3 (76) | N/A | 63 | 1 | Indoor | 5HCL-80E† |
| 100 | 16.8 (427) | 3 (76) | N/A | 63 | 1 | Indoor | 5HCL-100E† |
| 125 | 16.8 (427) | 3 (76) | N/A | 63 | 1 | Indoor | 5HCL-125E† |
| 150 | 16.8 (427) | 3 (76) | N/A | 63 | 1 | Indoor | 5HCL-150E† |
| 200 | 22.8 (579) | 3 (76) | N/A | 63 | 1 | Indoor | 5HCL-200E† |
| 250 | 22.8 (579) | 3 (76) | N/A | 63 | 1 | Indoor | 5HCL-250E† |
| 300 | 22.8 (579) | 3 (76) | N/A | 63 | 2 | Indoor | 5HCL-300E† |
| 400 | 22.8 (579) | 3 (76) | N/A | 63 | 2 | Indoor | 5HCL-400E† |
| 450 | 22.8 (579) | 3 (76) | N/A | 63 | 2 | Indoor | 5HCL-450E† |
| 500 | 22.8 (579) | 3 (76) | N/A | 63 | 2 | Indoor | 5HCL-500E |
| 600 | 22.8 (579) | 3 (76) | N/A | 63 | 2 | Indoor | 5HCL-600E |
| 750 | 22.8 (579) | 3 (76) | N/A | 63 | 3 | Indoor | 5HCL-750E |
| 900 | 22.8 (579) | 3 (76) | N/A | 63 | 3 | Indoor | 5HCL-900E |

† UL Listed, Guide JEEG, File E240398.

CLE, BHLE and BHCL bolt-on versions

| Amp rating | Dimensions - in (mm) | | | Interrupting rating kA (RMS Sym.) | Number of barrels | Installation location | Catalog number |
|------------|----------------------|------------|----------------|-----------------------------------|-------------------|-----------------------|----------------|
| | Overall length A | Diameter B | Hole centers C | | | | |
| 10 | 19.2 (488) | 3 (76) | 17.9 (455) | 63 | 1 | Indoor | 5BHLE-10E |
| 15 | 19.2 (488) | 3 (76) | 17.9 (455) | 63 | 1 | Indoor | 5BHLE-15E |
| 20 | 19.2 (488) | 3 (76) | 17.9 (455) | 63 | 1 | Indoor | 5BHLE-20E |
| 25 | 19.2 (488) | 3 (76) | 17.9 (455) | 63 | 1 | Indoor | 5BHLE-25E |
| 30 | 19.2 (488) | 3 (76) | 17.9 (455) | 63 | 1 | Indoor | 5BHLE-30E |
| 40 | 19.2 (488) | 3 (76) | 17.9 (455) | 63 | 1 | Indoor | 5BHLE-40E† |
| 50 | 19.2 (488) | 3 (76) | 17.9 (455) | 63 | 1 | Indoor | 5BHLE-50E† |
| 65 | 19.2 (488) | 3 (76) | 17.9 (455) | 63 | 1 | Indoor | 5BHLE-65E† |
| 80 | 19.2 (488) | 3 (76) | 17.9 (455) | 63 | 1 | Indoor | 5BHLE-80E† |
| 100 | 19.2 (488) | 3 (76) | 17.9 (455) | 63 | 1 | Indoor | 5BHLE-100E† |
| 125 | 19.2 (488) | 3 (76) | 17.9 (455) | 63 | 1 | Indoor | 5BHLE-125E† |
| 150 | 19.2 (488) | 3 (76) | 17.9 (455) | 63 | 1 | Indoor | 5BHLE-150E† |
| 175 | 19.2 (488) | 3 (76) | 17.9 (455) | 63 | 1 | Indoor | 5BHLE-175E† |
| 200 | 19.2 (488) | 3 (76) | 17.9 (455) | 63 | 1 | Indoor | 5BHLE-200E† |
| 200 | 25.1 (637) | 3 (76) | 23.7 (602) | 63 | 1 | Indoor | 5BHCL-200E |
| 250 | 19.2 (488) | 3 (76) | 17.9 (455) | 63 | 1 | Indoor | 5BHLE-250E† |
| 250 | 25.1 (637) | 3 (76) | 23.7 (602) | 63 | 1 | Indoor | 5BHCL-250E |
| 300 | 19.2 (488) | 3 (76) | 17.9 (455) | 63 | 2 | Indoor | 5BHLE-300E† |
| 300 | 25.1 (637) | 3 (76) | 23.7 (602) | 63 | 2 | Indoor | 5BHCL-300E |
| 350 | 19.2 (488) | 3 (76) | 17.9 (455) | 63 | 2 | Indoor | 5BHLE-350E† |
| 400 | 19.2 (488) | 3 (76) | 17.9 (455) | 63 | 2 | Indoor | 5BHLE-400E† |
| 400 | 25.1 (637) | 3 (76) | 23.7 (602) | 63 | 2 | Indoor | 5BHCL-400E |
| 450 | 19.2 (488) | 3 (76) | 17.9 (455) | 63 | 2 | Indoor | 5BHLE-450E† |
| 450 | 25.1 (637) | 3 (76) | 23.7 (602) | 63 | 2 | Indoor | 5BHCL-450E |
| 500 | 25.1 (637) | 3 (76) | 23.7 (602) | 63 | 2 | Indoor | 5BHCL-500E |
| 600 | 25.1 (637) | 3 (76) | 23.7 (602) | 63 | 2 | Indoor | 5BHCL-600E |
| 600 | 28.9 (734) | 4 (102) | 18.4 (467) | 40 | 2 | Indoor | 5CLE-600E |
| 750 | 25.1 (637) | 3 (76) | 23.7 (602) | 63 | 3 | Indoor | 5BHCL-750E |
| 750 | 28.9 (734) | 4 (102) | 18.4 (467) | 40 | 2 | Indoor | 5CLE-750E |
| 900 | 25.1 (637) | 3 (76) | 23.7 (602) | 63 | 3 | Indoor | 5BHCL-900E |
| 1100 | 19.8 (503) | 4 (102) | 18.4 (467) | 31 | 4 | Indoor | 5CLE-1100E |
| 1350 | 19.8 (503) | 4 (102) | 18.4 (467) | 31 | 4 | Indoor | 5CLE-1350E |

† UL Listed, Guide JEEG, File E240398.

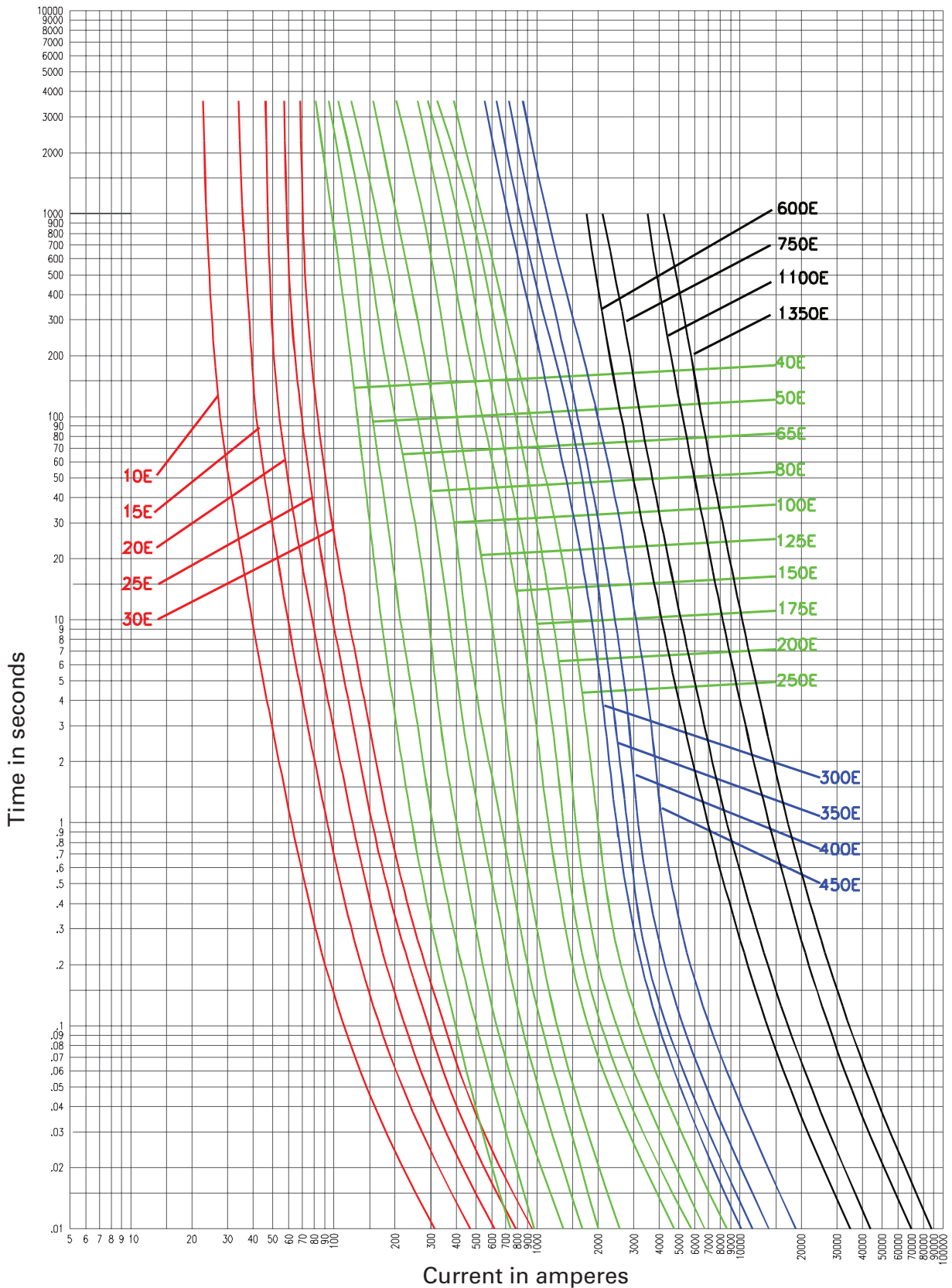
5.5kV time-current curves – minimum melt for 5CLE-_E and 5CLE-_-D



| | | | |
|--------------------|--------------------|--------------------|--------------------|
| Curve 70548501 | Curve 70545801 | Curve 70546001 | Curve 62908902 |
| April 16, 1999 | April 16, 1999 | April 20, 1999 | April 1999 |
| Reference # 563532 | Reference # 705458 | Reference # 705460 | Reference # 629089 |

5CLE-__

5.5kV time-current curves — total clear for 5CLE-E and 5CLE-D



| | | | | |
|-----------------------|---|---|---|---|
| <p>5CLE-<u> </u></p> | <p>Curve 70548702 April 16, 1999 Reference # 563533</p> | <p>Curve 70545901 April 20, 1999 Reference # 705459</p> | <p>Curve 70546101 April 20, 1999 Reference # 705461</p> | <p>Curve 62908903 April 1999 Reference # 629089</p> |
|-----------------------|---|---|---|---|

5.5kV peak let-through for 5CLE-_E and 5CLE-_-D



| | | |
|--------------------|--------------------|--------------------|
| Curve 70548701 | Curve 70547601 | Curve 62908904 |
| April 1999 | April 1999 | April 1999 |
| Reference # 705487 | Reference # 705476 | Reference # 629089 |

5CLE-_-

5.5kV time-current curves – minimum melt for 5HLE- _E, 5AHLE- _E and 5BHLE- _E



| | | | |
|---|--|--|--|
| 5HLE- <u> </u> , 5BHLE- <u> </u> , 5AHLE- <u> </u> | Curve 70548507 April 16, 1999 Reference # 563532 | Curve 70545805 April 16, 1999 Reference # 705458 | Curve 70546005 April 20, 1999 Reference # 705460 |
|---|--|--|--|

5.5kV time-current curves — total clear for 5HLE- _E, 5AHLE- _E and 5BHLE- _E



| | | | |
|---|--|--|--|
| 5HLE- <u> </u> , 5BHLE- <u> </u> , 5AHLE- <u> </u> | Curve 70548607 April 16, 1999 Reference # 563533 | Curve 70545905 April 20, 1999 Reference # 705459 | Curve 70546105 April 20, 1999 Reference # 705461 |
|---|--|--|--|

5.5kV peak let-through for 5HLE- _E, 5AHLE- _E and 5BHLE- _E



5HLE- _, 5BHLE- _, 5AHLE- _

Curve 70548703
April 1999
Reference # 705487

Curve 70547603
April 1999
Reference # 705476

5.5kV time-current curves – minimum melt for 5HCL_E



5HCL_

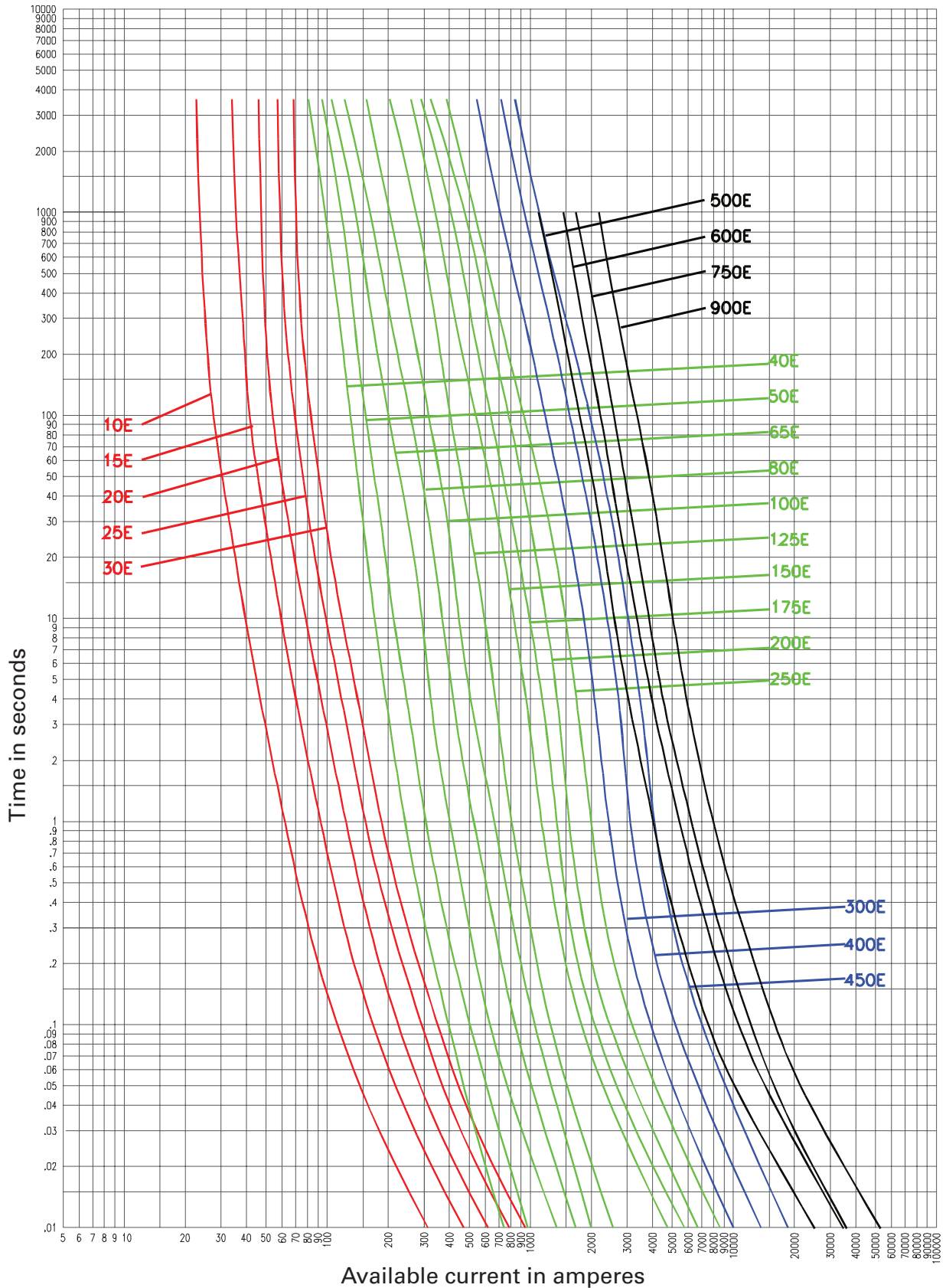
Curve 70548505
 January 2001

Curve 70545803
 January 2001

Curve 70546003
 April 2001

Curve 66703401
 January 2001

5.5kV time-current curves – total clear for 5HCL_E



5HCL-

Curve 70548605
January 2001

Curve 70545903
January 2001

Curve 70516103
January 2001

Curve 66703501
January 2001



5HCL-__

Curve 70548702 January 2001 Curve 70547602 January 2001 Curve 66703701 January 2001

The only controlled copy of this data sheet is the electronic read-only version located on the Eaton network drive. All other copies of this document are by definition uncontrolled. This bulletin is intended to clearly present comprehensive product data and provide technical information that will help the end user with design applications. Eaton reserves the right, without notice, to change design or construction of any products and to discontinue or limit distribution of any products. Eaton also reserves the right to change or update, without notice, any technical information contained in this bulletin. Once a product has been selected, it should be tested by the user in all possible applications.

Eaton
 1000 Eaton Boulevard
 Cleveland, OH 44122
 United States
 Eaton.com

Bussmann Division
 114 Old State Road
 Ellisville, MO 63021
 United States
 Eaton.com/bussmannseries

© 2016 Eaton
 All Rights Reserved
 Printed in USA
 Publication No. 10351 - BU-SB15151
 April 2016

Eaton, Bussmann and AMPGARD are valuable trademarks of Eaton in the US and other countries. You are not permitted to use the Eaton trademarks without prior written consent of Eaton.

For Eaton's Bussmann series product information, call 1-855-287-7626 or visit: Eaton.com/bussmannseries



Follow us on social media to get the latest product and support information.



Компания «Океан Электроники» предлагает заключение долгосрочных отношений при поставках импортных электронных компонентов на взаимовыгодных условиях!

Наши преимущества:

- Поставка оригинальных импортных электронных компонентов напрямую с производств Америки, Европы и Азии, а так же с крупнейших складов мира;
- Широкая линейка поставок активных и пассивных импортных электронных компонентов (более 30 млн. наименований);
- Поставка сложных, дефицитных, либо снятых с производства позиций;
- Оперативные сроки поставки под заказ (от 5 рабочих дней);
- Экспресс доставка в любую точку России;
- Помощь Конструкторского Отдела и консультации квалифицированных инженеров;
- Техническая поддержка проекта, помощь в подборе аналогов, поставка прототипов;
- Поставка электронных компонентов под контролем ВП;
- Система менеджмента качества сертифицирована по Международному стандарту ISO 9001;
- При необходимости вся продукция военного и аэрокосмического назначения проходит испытания и сертификацию в лаборатории (по согласованию с заказчиком);
- Поставка специализированных компонентов военного и аэрокосмического уровня качества (Xilinx, Altera, Analog Devices, Intersil, Interpoint, Microsemi, Actel, Aeroflex, Peregrine, VPT, Syfer, Eurofarad, Texas Instruments, MS Kennedy, Miteq, Cobham, E2V, MA-COM, Hittite, Mini-Circuits, General Dynamics и др.);

Компания «Океан Электроники» является официальным дистрибьютором и эксклюзивным представителем в России одного из крупнейших производителей разъемов военного и аэрокосмического назначения «JONHON», а так же официальным дистрибьютором и эксклюзивным представителем в России производителя высокотехнологичных и надежных решений для передачи СВЧ сигналов «FORSTAR».



JONHON

«JONHON» (основан в 1970 г.)

Разъемы специального, военного и аэрокосмического назначения:

(Применяются в военной, авиационной, аэрокосмической, морской, железнодорожной, горно- и нефтедобывающей отраслях промышленности)

«FORSTAR» (основан в 1998 г.)

ВЧ соединители, коаксиальные кабели, кабельные сборки и микроволновые компоненты:

(Применяются в телекоммуникациях гражданского и специального назначения, в средствах связи, РЛС, а так же военной, авиационной и аэрокосмической отраслях промышленности).



Телефон: 8 (812) 309-75-97 (многоканальный)

Факс: 8 (812) 320-03-32

Электронная почта: ocean@oceanchips.ru

Web: <http://oceanchips.ru/>

Адрес: 198099, г. Санкт-Петербург, ул. Калинина, д. 2, корп. 4, лит. А