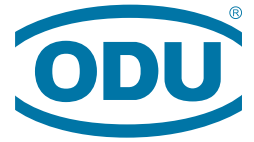


A PERFECT ALLIANCE.



ODU MINI-MED[®]

The overmolded connector for measurement and testing,
industrial and medical devices.

MINI OVERMOLDED
CONNECTOR



ODU MINI-MED[®]

ASSEMBLED PLASTIC CONNECTORS

A PERFECT ALLIANCE.



ODU GROUP OVERVIEW

- More than 70 years of connector experience
- €146 million in turnover
- Over 1,650 employees worldwide
- 9 sales subsidiaries: China, Denmark, France, Germany, Italy, Japan, Sweden, the UK and the US
- All technologies under one roof: Design and development, machine tool and special machine construction, injection, stamping, turning, surface technology, assembly and cable assembly

As of February 2016

CERTIFIED QUALITY

- DIN EN ISO 9001
- DIN ISO TS 16949
- DIN EN ISO 14001
- ISO 13485
- Wide range of UL, CSA, VG and DVA licenses
- UL-certified cable assembly

For a complete list of our certifications, please visit our website.

CUSTOMER-SPECIFIC SOLUTIONS

Contacts, connectors and cable assembly integrated solutions meeting the most demanding technical market requirements – ODU's connector solutions and value-added services are characterized by their exclusive focus on meeting the customer's needs.

- Precise implementation of application-specific requirements regarding design, functionality, cost and exclusivity
- Custom connector solutions derived from standard products
- One-to-one local expertise and fair, friendly consulting
- Quick prototyping and production turnaround



CREATING CONNECTIONS, BUILDING ALLIANCES, COLLABORATING INTO THE FUTURE



Dr.-Ing. Kurt Woelfl
Managing Director
Research & Development
Design
Production
Finance & IT
Americas region

Dr. Joachim Belz
Managing Director
Marketing & Sales
Product and Market Portfolio
Human Resources
Supply Chain Management
Asia region

TECHNOLOGY THAT UNITES – CONNECTIONS THAT INSPIRE

For the past 70 years, this commitment has enabled us to innovate and provide solutions that respond to continuously changing market needs. We provide high-quality electrical connectors that create added value for our customers and any market player seeking a reliable connector solution to enable the transmission of power, signals, media and data transmission.

A PERFECT ALLIANCE is our guiding principle. It represents the synergy between our high-quality connector solutions and the strong partnerships we build with our staff and business partners across the globe – partnerships based on trust, reliability and mutual respect.

ODU is one of the world's leading suppliers of connector systems today, employing over 1,650 people worldwide and generating approximately €146 million in sales. To ensure the very highest quality standards in our cutting-edge products, we continuously invest in their development and production – and ultimately, in our very unique expertise. Over the past few years, our development of customer- and application-specific connectors has led to the sustained growth of our standard product range so that today, we cover a broad range of application areas. A balance between project-specific business, including customized developments, and standard connector design will continue to shape our business into

the future. This holds true for emerging and future markets, such as medical, military and security, and energy, as well as for the special requirements of measurement and testing, eMobility and industrial electronics.

A PERFECT ALLIANCE – The future of ODU will continue to find solid ground for growth: in our focus on providing reliable connector solutions for a variety of challenging applications and in our commitment to continuously expanding our technology portfolio. It's what we do and who we are – around the globe. This brochure is an invitation for you to become even better acquainted with ODU, an internationally active technology company devoted to creating high-quality customized connector solutions.

We are actively shaping the future of our company with creativity, imagination and innovation in order to serve our valued customers around the world.

ODU – A PERFECT ALLIANCE.

Dr. Joachim Belz and Dr.-Ing. Kurt Woelfl
Managing Directors

ODU MINI-MED®

SMALL – LIGHT – ASSEMBLED



GOOD GRIP



BLIND MATING



AUDIBLE LOCKING



SPACE- SAVING



PLUG AND CABLE ASSEMBLY FROM A SINGLE SOURCE

THE ODU MINI-MED® – THE PERFECT CHOICE

This assembled plastic connection will always come in handy when a light, space-saving and watertight cable assembly is required. The ODU MINI-MED can be easily mated and has a break-away function to ensure the quick disconnection of plug and in-line receptacle or receptacle.

This solution offers safe, hassle-free use in fields with hygiene requirements, such as in medical technology. The compact MINI-MED connection can also be used in the industrial electronics or measurement and testing.

IMPRESSIVE – THE ODU MINI-MED®

- 2 to 6 contacts
- >1,000 mating cycles
- IP 67 protection class when mated
- Gold plated contacts with soldered connection
- EtO sterilizable
- DEHP-free
- Assembled with PVC cable* (white)
- Available in these cable lengths: 0.5 m / 5 m
- (PVC cable) operating temperature: -15°C to +80°C
- Break-away function

*Silicone cable (grey) upon request.

APPLICATION OPTIONS

MEDICAL

- + Portable patient monitor
- + Infusion device
- + Insulin pump
- + Catheter system
- + Blood pressure monitor



INDUSTRIAL

- + Handset pad
- + E-bikes
- + High-tech street lights
- + Fitness and wellness machines
- + Barcode scanner

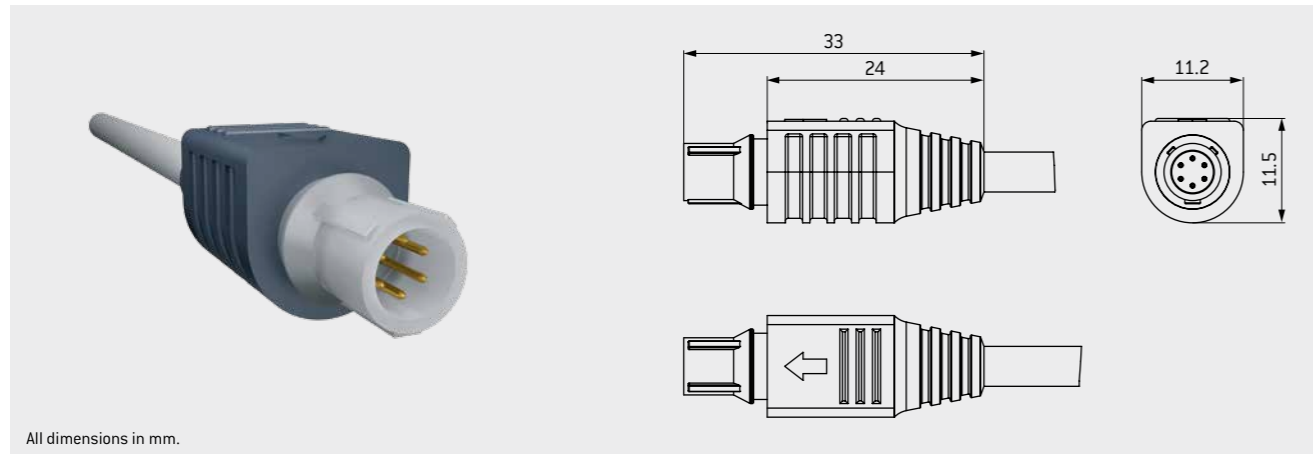


MEASUREMENT AND TESTING

- + Conductometer
- + I/O connection
- + Measuring sensor



BREAK-AWAY PLUG (including cable, cable assembly and overmolding)

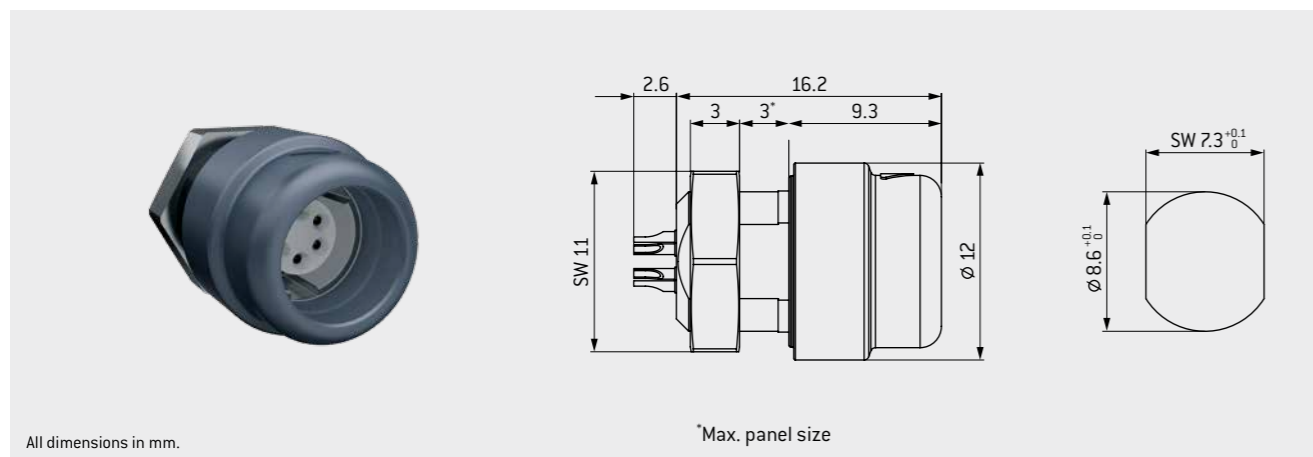


All dimensions in mm.

Number of contacts	Cable length		Cable diameter mm	Termination cross-section	
	0.5 m	5 m		AWG	mm ²
2	C00.707.100.020.013	C00.707.100.020.018	4.1	22	0.38
3	C00.707.100.030.013	C00.707.100.030.018	4.6	22	0.38
4	C00.707.100.040.013	C00.707.100.040.018	4.1	26	0.14
5	C00.707.100.050.013	C00.707.100.050.018	4.4	26	0.14
6	C00.707.100.060.013	C00.707.100.060.018	4.4	28	0.08

Cable type: PVC. Silicone cable upon request.

RECEPTACLE (with integrated panel sealing)

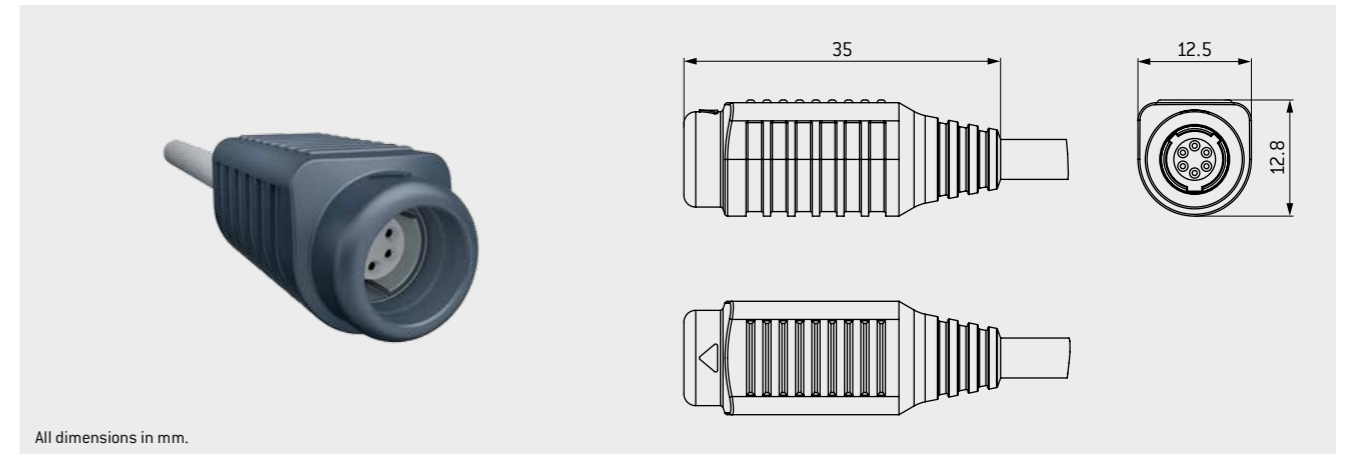


All dimensions in mm.

*Max. panel size

Number of contacts	Part number	Termination cross-section	
		AWG	mm ²
2	756.199.404.000.000	22	0.38
3	756.199.403.000.000	22	0.38
4	756.199.402.000.000	26	0.14
5	756.199.401.000.000	26	0.14
6	756.199.400.000.000	28	0.08

IN-LINE RECEPTACLE (including cable, cable assembly and overmolding)



All dimensions in mm.

Number of contacts	Cable length		Cable diameter mm	Termination cross-section	
	0.5 m	5 m		AWG	mm ²
2	C00.707.100.020.019	C00.707.100.020.024	4.1	22	0.38
3	C00.707.100.030.019	C00.707.100.030.024	4.6	22	0.38
4	C00.707.100.040.019	C00.707.100.040.024	4.1	26	0.14
5	C00.707.100.050.019	C00.707.100.050.024	4.4	26	0.14
6	C00.707.100.060.019	C00.707.100.060.024	4.4	28	0.08

Cable type: PVC. Silicone cable upon request.

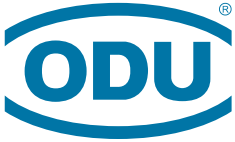
CONTACT CONFIGURATION

Number of contacts	Contact diameter mm	Single contact nominal current acc. IEC 60512-5-2:2002 (DIN EN 60512-5-2:2003) A	Clearance and creepage distance acc. IEC 60664-1:2007 (VDE 0110-1:2008) mm	Test voltage acc. SAE AS 13441:2004 method 3001.1 V	Termination cross-section		View on termination area	
					AWG	mm ²	Pin piece	Socket piece
2	0.9	8	0.9	875	22	0.38		
3	0.9	8	0.7	875	22	0.38		
4	0.7	4	0.7	875	26	0.14		
5	0.7	4	0.6	750	26	0.14		
6	0.5	3	0.7	750	28	0.08		

MATERIALS AND SURFACES

Component	Material designation	Surface
Outer housing	PA	
Contact pin/socket (solder)	Cu-alloy	Au
Overmold	TPU	
Cable	PVC*	
Hexagon nut	Cu-alloy	Ni

*Silicone cable upon request.



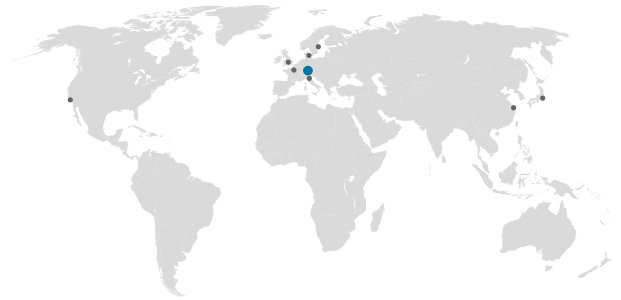
A PERFECT ALLIANCE.

ODU GROUP WORLDWIDE

HEADQUARTERS

ODU GmbH & Co. KG

Pregelstraße 11
84453 Mühldorf a. Inn
Germany
Phone: +49 8631 6156-0
Fax: +49 8631 6156-49
E-mail: zentral@odu.de



SALES SUBSIDIARIES

ODU Denmark ApS

Phone: +45 2233 5335
E-mail: odu.denmark@odu.de
www.odu-denmark.dk

ODU France SARL

Phone: +33 1 3935-4690
E-mail: odu@odu.fr
www.odu.fr

ODU Italia S.R.L.

Phone: +39 331 8708847
E-mail: sales@odu-italia.it
www.odu-italia.it

ODU Japan K.K.

Phone: +81 3 6441 3210
E-mail: sales@odu.co.jp
www.odu.co.jp

ODU Scandinavia AB

Phone: +46 176 18261
E-mail: sales@odu.se
www.odu.se

ODU (Shanghai)

International Trading Co., Ltd.
Phone: +86 21 58347828-0
E-mail: oduchina@odu.com.cn
www.odu.com.cn

ODU-UK Ltd.

Phone: +44 1509 266433
E-mail: sales@odu-uk.co.uk
www.odu-uk.co.uk

ODU-USA Inc.

Phone: +1 805 4840540
E-mail: sales@odu-usa.com
www.odu-usa.com

**Further information and specialized
representatives can be found at:**
www.odu.de/sales



Simply scan the QR code
to download the entire brochure.

GRASWALD · HEILIGTAG | Passau

ODU MINI-MED®

We reserve the right to modify product or technical data.

ODU MINI-MED / B / 0116 / E

Компания «Океан Электроники» предлагает заключение долгосрочных отношений при поставках импортных электронных компонентов на взаимовыгодных условиях!

Наши преимущества:

- Поставка оригинальных импортных электронных компонентов напрямую с производств Америки, Европы и Азии, а так же с крупнейших складов мира;
- Широкая линейка поставок активных и пассивных импортных электронных компонентов (более 30 млн. наименований);
- Поставка сложных, дефицитных, либо снятых с производства позиций;
- Оперативные сроки поставки под заказ (от 5 рабочих дней);
- Экспресс доставка в любую точку России;
- Помощь Конструкторского Отдела и консультации квалифицированных инженеров;
- Техническая поддержка проекта, помощь в подборе аналогов, поставка прототипов;
- Поставка электронных компонентов под контролем ВП;
- Система менеджмента качества сертифицирована по Международному стандарту ISO 9001;
- При необходимости вся продукция военного и аэрокосмического назначения проходит испытания и сертификацию в лаборатории (по согласованию с заказчиком);
- Поставка специализированных компонентов военного и аэрокосмического уровня качества (Xilinx, Altera, Analog Devices, Intersil, Interpoint, Microsemi, Actel, Aeroflex, Peregrine, VPT, Syfer, Eurofarad, Texas Instruments, MS Kennedy, Miteq, Cobham, E2V, MA-COM, Hittite, Mini-Circuits, General Dynamics и др.);

Компания «Океан Электроники» является официальным дистрибьютором и эксклюзивным представителем в России одного из крупнейших производителей разъемов военного и аэрокосмического назначения «JONHON», а так же официальным дистрибьютором и эксклюзивным представителем в России производителя высокотехнологичных и надежных решений для передачи СВЧ сигналов «FORSTAR».



JONHON

«JONHON» (основан в 1970 г.)

Разъемы специального, военного и аэрокосмического назначения:

(Применяются в военной, авиационной, аэрокосмической, морской, железнодорожной, горно- и нефтедобывающей отраслях промышленности)

«FORSTAR» (основан в 1998 г.)

ВЧ соединители, коаксиальные кабели,
кабельные сборки и микроволновые компоненты:

(Применяются в телекоммуникациях гражданского и специального назначения, в средствах связи, РЛС, а так же военной, авиационной и аэрокосмической отраслях промышленности).



Телефон: 8 (812) 309-75-97 (многоканальный)

Факс: 8 (812) 320-03-32

Электронная почта: ocean@oceanchips.ru

Web: <http://oceanchips.ru/>

Адрес: 198099, г. Санкт-Петербург, ул. Калинина, д. 2, корп. 4, лит. А