

8.3kV E-Rated

Medium voltage fuses for feeder circuit, switchgear and transformer protection



Description:

- E-Rated, current-limiting, medium voltage fuses for feeder circuit, switchgear and transformer protection.

Features and benefits:

- Current-limiting E-Rated medium voltage fuses are defined by their melting time-current characteristic that permit their electrical interchangeability with other fuses of the same E Rating.
- E-Rated fuses must have a defined current response time specified by ANSI C37.46. E-Rated fuse of 100 amps and below must melt in 300 seconds at an RMS current within the range of 200% to 240% of the fuse's nameplate current rating. E-Rated fuses greater than 100 amps must melt in 600 seconds at an RMS current within the range of 220% to 264% of the fuse's nameplate current rating.
- E-Rated fuses are physically dimensioned for easy installation in existing hardware.
- Current-limiting fuses provide positive interruption even on low fault currents. The fuse limits the magnitude of electromechanical stresses in the protected apparatus.
- Constructions available in ferrule, bolt-on and clip lock, and specialty mount fuses for AMPGARD™ motor starters.
- Outdoor rating available on select catalog numbers (requires installation in a suitable enclosure).
- Open fuse indicator easily integrates into automation schemes and speeds troubleshooting by providing a positive visual indication of fuse operation.
- 50/60Hz operating frequency for worldwide application.
- Mountings are available in disconnect and non-disconnect versions with porcelain or glass polyester insulators.
- Live parts and end fittings available.

Typical applications:

- Medium voltage transformer primary protection
- Medium voltage feeder circuit protection
- Medium voltage switches
- Medium voltage metal-enclosed switchgear

E-Rated medium voltage ferrule fuses

Catalog symbols:

- 8CLE_E-D (10-25A)
- 8CLE_E (10-350A)
- 8HLE_E (10-350A)

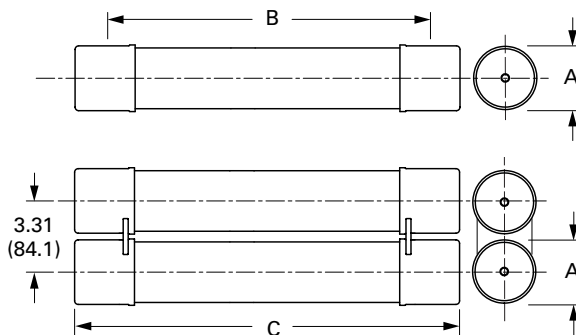
Ratings*:

- Volts
 - 8.3kV
- Amps 10 to 350A
- Interrupting ratings — 50kA RMS Sym

* See catalog number tables for voltages, ampacities and interrupting ratings by catalog number.

Agency information:

E-Rated fuses meet the performance characteristics of ANSI C37.46



Recommended fuse holders:

| Amp rating | Fuse mounting type* | Voltage BIL (kV) | Approximate dimensions - in (mm) | | | Catalog number | | | |
|--|---------------------|------------------|----------------------------------|---------------|------------|---|---------------------|---------------------------|-------------------------------------|
| | | | Diameter A | Clip center B | Length C | Mounting (including live parts, end fittings)** | Porcelain insulator | Glass-polyester insulator | Live parts (including end fittings) |
| CLE | | | | | | | | | |
| 10E-D-25E-D 30E-175E Single barrel | Non-disconnect | 75 | 3.0 (76) | 14 (356) | 17.9 (455) | 8CLE-PNM-D | 8CLE-GNM-D | CLE-NL-D | — |
| | Disconnect† | 75 | | | | 8CLE-PDM-D | 8CLE-GDM-D | CLE-DL-D | CLE-DF-D |
| 15E-25E Single Barrel | Non-disconnect | 75 | 2.0 (51) | 14 (356) | 15.5 (394) | 8CLE-PNM-C | 8CLE-GNM-C | CLE-NL-C | — |
| | Disconnect† | 75 | | | | 8CLE-PDM-C | 8CLE-GDM-C | CLE-DL-C | CLE-DF-C |
| 200E-350E Double barrel | Non-disconnect | 75 | 3.0 (76) | 14 (356) | 17.9 (455) | 8CLE-PNM-E | 8CLE-GNM-E | CLE-NL-E | — |
| | Disconnect | 75 | | | | 8CLE-PDM-E | 8CLE-GDM-E | CLE-DL-E | CLE-DF-E |
| HLE | | | | | | | | | |
| 10E-175E Single barrel | Non-disconnect | 75 | 3.0 (76) | 12 (305) | 15.9 (404) | 8HLE-PNM-D | 8HLE-GNM-D | CLE-NL-D | — |
| | Disconnect† | 75 | | | | 8HLE-PDM-D | 8HLE-GDM-D | CLE-DL-D | CLE-DF-D |
| 200E-350E Double barrel | Non-disconnect | 75 | 3.0 (76) | 12 (305) | 15.9 (404) | 8HLE-PNM-E | 8HLE-GNM-E | CLE-NL-E | — |
| | Disconnect† | 75 | | | | 8HLE-PDM-E | 8HLE-GDM-E | CLE-DL-E | CLE-DF-E |

* See page 4 for illustrations and dimensions

** End fittings supplied only when required.

Recommended fuseclips:

| Description | Fuse diameter - in (mm) | Figure | Clip dimensions - in (mm) | | | | | | | Catalog number |
|-----------------------------|-------------------------|--------|---------------------------|-----------|-----------|-----------|------------|-----------|----------|----------------|
| | | | A | B | C | D | E | F | G | |
| Enclosed fuseclip | 2 (51) | 1 | 3.75 (95) | 1.98 (50) | 2.01 (51) | 1.19 (30) | 4.54 (115) | 1.51 (38) | 0.4 (10) | A3354710* |
| Enclosed fuseclip | 3 (76) | 1 | 4.14 (105) | 2.45 (62) | 3.01 (76) | 1.19 (30) | 5.64 (143) | 1.51 (38) | 0.4 (10) | A3354730* |
| Open fuseclip | 3 (76) | 2 | See dimensions drawing | | | | | | | 1A0065 |
| Spring loaded open fuseclip | 3 (76) | 3 | See dimensions drawing | | | | | | | 9078A67G04 |

*For single barrel applications only. Not sold in pairs.

Figure 1



Figure 2

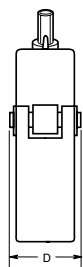


Figure 3



CLE and HLE type fuses

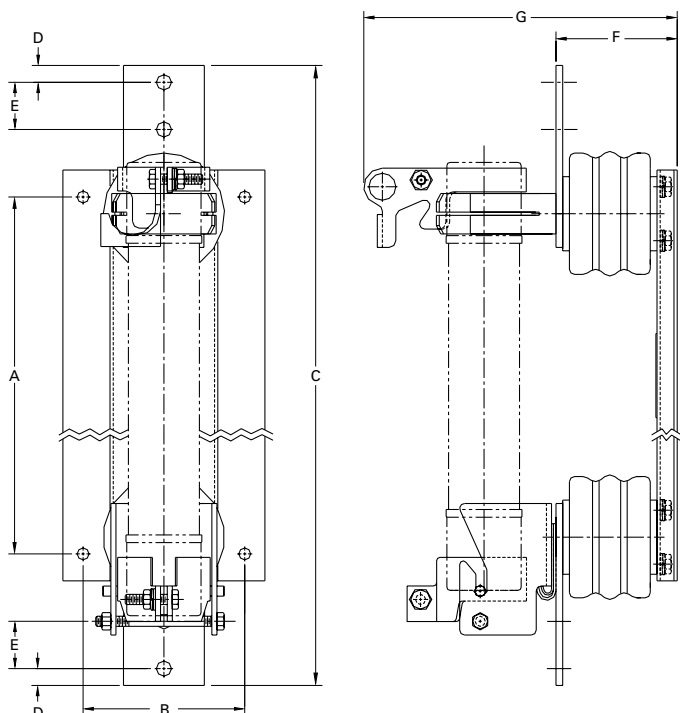
| Amp rating | Dimensions - in (mm) | | | Interrupting rating kA (RMS Sym.) | Number of barrels | Installation location | Catalog number |
|---|----------------------|------------|----------------|-----------------------------------|-------------------|-----------------------|----------------|
| | Length A | Diameter B | Clip centers C | | | | |
| CLE Long construction (Westinghouse) | | | | | | | |
| 10 | 17.9 (455) | 3 (76) | 14 (356) | 50 | 1 | Indoor/outdoor | 8CLE-10E-D |
| 15 | 15.5 (394) | 2 (51) | 14 (356) | 50 | 1 | Indoor | 8CLE-15E* |
| 15 | 17.9 (455) | 3 (76) | 14 (356) | 50 | 1 | Indoor/outdoor | 8CLE-15E-D |
| 20 | 15.5 (394) | 2 (51) | 14 (356) | 50 | 1 | Indoor | 8CLE-20E* |
| 20 | 17.9 (455) | 3 (76) | 14 (356) | 50 | 1 | Indoor/outdoor | 8CLE-20E-D |
| 25 | 15.5 (394) | 2 (51) | 14 (356) | 50 | 1 | Indoor | 8CLE-25E* |
| 25 | 17.9 (455) | 3 (76) | 14 (356) | 50 | 1 | Indoor/outdoor | 8CLE-25E-D |
| 30 | 17.9 (455) | 3 (76) | 14 (356) | 50 | 1 | Indoor/outdoor | 8CLE-30E |
| 40 | 17.9 (455) | 3 (76) | 14 (356) | 50 | 1 | Indoor/outdoor | 8CLE-40E |
| 50 | 17.9 (455) | 3 (76) | 14 (356) | 50 | 1 | Indoor/outdoor | 8CLE-50E |
| 65 | 17.9 (455) | 3 (76) | 14 (356) | 50 | 1 | Indoor/outdoor | 8CLE-65E |
| 80 | 17.9 (455) | 3 (76) | 14 (356) | 50 | 1 | Indoor/outdoor | 8CLE-80E |
| 100 | 17.9 (455) | 3 (76) | 14 (356) | 50 | 1 | Indoor/outdoor | 8CLE-100E |
| 125 | 17.9 (455) | 3 (76) | 14 (356) | 50 | 1 | Indoor/outdoor | 8CLE-125E |
| 150 | 17.9 (455) | 3 (76) | 14 (356) | 50 | 1 | Indoor/outdoor | 8CLE-150E |
| 175 | 17.9 (455) | 3 (76) | 14 (356) | 50 | 1 | Indoor/outdoor | 8CLE-175E |
| 200 | 17.9 (455) | 3 (76) | 14 (356) | 50 | 2 | Indoor/outdoor | 8CLE-200E |
| 250 | 17.9 (455) | 3 (76) | 14 (356) | 50 | 2 | Indoor/outdoor | 8CLE-250E |
| 300 | 17.9 (455) | 3 (76) | 14 (356) | 50 | 2 | Indoor/outdoor | 8CLE-300E |
| 350 | 17.9 (455) | 3 (76) | 14 (356) | 50 | 2 | Indoor/outdoor | 8CLE-350E |
| HLE Short construction | | | | | | | |
| 10 | 15.9 (404) | 3 (76) | 12 (305) | 50 | 1 | Indoor/outdoor | 8HLE-10E |
| 15 | 15.9 (404) | 3 (76) | 12 (305) | 50 | 1 | Indoor/outdoor | 8HLE-15E |
| 20 | 15.9 (404) | 3 (76) | 12 (305) | 50 | 1 | Indoor/outdoor | 8HLE-20E |
| 25 | 15.9 (404) | 3 (76) | 12 (305) | 50 | 1 | Indoor/outdoor | 8HLE-25E |
| 30 | 15.9 (404) | 3 (76) | 12 (305) | 50 | 1 | Indoor/outdoor | 8HLE-30E |
| 40 | 15.9 (404) | 3 (76) | 12 (305) | 50 | 1 | Indoor/outdoor | 8HLE-40E |
| 50 | 15.9 (404) | 3 (76) | 12 (305) | 50 | 1 | Indoor/outdoor | 8HLE-50E |
| 65 | 15.9 (404) | 3 (76) | 12 (305) | 50 | 1 | Indoor/outdoor | 8HLE-65E |
| 80 | 15.9 (404) | 3 (76) | 12 (305) | 50 | 1 | Indoor/outdoor | 8HLE-80E |
| 100 | 15.9 (404) | 3 (76) | 12 (305) | 50 | 1 | Indoor/outdoor | 8HLE-100E |
| 125 | 15.9 (404) | 3 (76) | 12 (305) | 50 | 1 | Indoor/outdoor | 8HLE-125E |
| 150 | 15.9 (404) | 3 (76) | 12 (305) | 50 | 1 | Indoor/outdoor | 8HLE-150E |
| 175 | 15.9 (404) | 3 (76) | 12 (305) | 50 | 1 | Indoor/outdoor | 8HLE-175E |
| 200 | 15.9 (404) | 3 (76) | 12 (305) | 50 | 2 | Indoor/outdoor | 8HLE-200E |
| 250 | 15.9 (404) | 3 (76) | 12 (305) | 50 | 2 | Indoor/outdoor | 8HLE-250E |
| 300 | 15.9 (404) | 3 (76) | 12 (305) | 50 | 2 | Indoor/outdoor | 8HLE-300E |
| 350 | 15.9 (404) | 3 (76) | 12 (305) | 50 | 2 | Indoor/outdoor | 8HLE-350E |

* Fuses conform to dimensional standards established by Westinghouse.

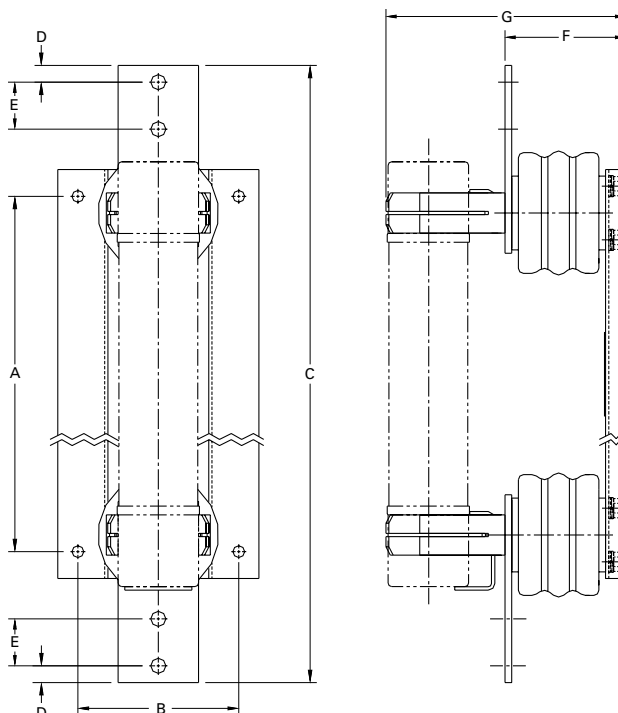
CLE and HLE type mountings - in (mm)

| Catalog number | Hole centers | | Overall length C | Hole Inset D | Hole centers | | Contact height F | Overall height G | BIL kV |
|-------------------------------------|---------------|-----------|---------------------|-----------------|--------------|-----------|---------------------|---------------------|-----------|
| | A | B | | | E | | | | |
| Disconnect single barrel† | | | | | | | | | |
| 8CLE-GDM-C | 15.24 (387.1) | 6 (152.4) | 28 (711.2) | 0.75 (19) | 1.75 (44.4) | 7 (177.8) | 12.25 (311.1) | 75 | |
| 8CLE-GDM-D | 15.24 (387.1) | 6 (152.4) | 25 (647.7) | 0.62 (15.7) | 1.75 (44.4) | 7 (177.8) | 14.22 (361.2) | 75 | |
| 8CLE-PDM-C | 15.24 (387.1) | 6 (152.4) | 28 (711.2) | 0.75 (19) | 1.75 (44.4) | 7 (177.8) | 12.25 (311.1) | 75 | |
| 8CLE-PDM-D | 15.24 (387.1) | 6 (152.4) | 25 (647.7) | 0.62 (15.7) | 1.75 (44.4) | 7 (177.8) | 14.22 (361.2) | 75 | |
| 8HLE-GDM-D | 16.25 (412.8) | 6 (152.4) | 23 (584.2) | 0.62 (15.7) | 1.75 (44.4) | 7 (177.8) | 11.72 (297.7) | 75 | |
| 8HLE-PDM-D | 16.25 (412.8) | 6 (152.4) | 23 (584.2) | 0.62 (15.7) | 1.75 (44.4) | 7 (177.8) | 11.72 (297.7) | 75 | |
| Disconnect double barrel† | | | | | | | | | |
| 8CLE-GDM-E | 15.24 (387.1) | 6 (152.4) | 25 (647.7) | 0.62 (15.7) | 1.75 (44.4) | 7 (177.8) | 17.78 (451.6) | 75 | |
| 8CLE-PDM-E | 15.24 (387.1) | 6 (152.4) | 25 (647.7) | 0.62 (15.7) | 1.75 (44.4) | 7 (177.8) | 17.78 (451.6) | 75 | |
| 8HLE-GDM-E | 16.25 (412.8) | 6 (152.4) | 23 (584.2) | 0.62 (15.7) | 1.75 (44.4) | 7 (177.8) | 17.78 (451.6) | 75 | |
| 8HLE-PDM-E | 16.25 (412.8) | 6 (152.4) | 23 (584.2) | 0.62 (15.7) | 1.75 (44.4) | 7 (177.8) | 17.78 (451.6) | 75 | |
| Non-disconnect single barrel | | | | | | | | | |
| 8CLE-GNM-C | 15.25 (387.3) | 6 (152.4) | 24.5 (622.3) | 0.75 (19) | 1.75 (44.4) | 7 (177.8) | 9.75 (247.6) | 75 | |
| 8CLE-PNM-C | 15.25 (387.3) | 6 (152.4) | 24.5 (622.3) | 0.75 (19) | 1.75 (44.4) | 7 (177.8) | 9.75 (247.6) | 75 | |
| 8CLE-GNM-D | 15.25 (387.3) | 6 (152.4) | 25 (635) | 0.62 (15.7) | 1.75 (44.4) | 7 (177.8) | 11.29 (286.7) | 75 | |
| 8CLE-PNM-D | 15.25 (387.3) | 6 (152.4) | 25 (635) | 0.62 (15.7) | 1.75 (44.4) | 7 (177.8) | 11.29 (286.7) | 75 | |
| 8HLE-GNM-D | 16.25 (412.7) | 6 (152.4) | 23 (584.2) | 0.62 (15.7) | 1.75 (44.4) | 7 (177.8) | 8.79 (223.3) | 75 | |
| 8HLE-PNM-D | 16.25 (412.7) | 6 (152.4) | 23 (584.2) | 0.62 (15.7) | 1.75 (44.4) | 7 (177.8) | 8.79 (223.3) | 75 | |
| Non-disconnect double barrel | | | | | | | | | |
| 8CLE-GNM-E | 15.24 (387.1) | 6 (152.4) | 25 (635) | 0.62 (15.7) | 1.75 (44.4) | 7 (177.8) | 14.98 (380.5) | 75 | |
| 8CLE-PNM-E | 15.24 (387.1) | 6 (152.4) | 25 (635) | 0.62 (15.7) | 1.75 (44.4) | 7 (177.8) | 14.98 (380.5) | 75 | |
| 8HLE-GNM-E | 16.25 (412.7) | 6 (152.4) | 23 (584.2) | 0.62 (15.7) | 1.75 (44.4) | 7 (177.8) | 14.98 (380.5) | 75 | |
| 8HLE-PNM-E | 16.25 (412.7) | 6 (152.4) | 23 (584.2) | 0.62 (15.7) | 1.75 (44.4) | 7 (177.8) | 14.98 (380.5) | 75 | |

CLE and HLE type disconnect mounting†



CLE and HLE type non-disconnect mounting



† Disconnect mountings provide a means for fuse extraction only. Do not use a disconnect mounting for load switching or fuse removal while energized.

E-Rated medium voltage specialty mount fuses

Catalog symbols:

- 8AHLE_E (special dimension fuses for use with 7.2kV rated, 800 amp AMPGARD motor starting assemblies)
- 8BHLE_E (bolt-on version)
- 8HCL_E (clip-lock version)

Ratings*:

- Volts
 - 8.3kV
- Amps
 - 10 to 350A
- Interrupting ratings
 - 50kA RMS Sym

* See catalog number tables for voltages, ampacities and interrupting ratings by catalog number.

Agency information:

- E-Rated fuses meet the performance characteristics of ANSI C37.46

Recommended live parts for clip-lock fuses

- Catalog number HCL-NL-1

Dimensions for HCL - in (mm)



Dimensions for BHLE - in (mm)



AHLE type fuses (special dimension fuses for use with 7.2kV rated, 800 amp AMPGARD motor starting assemblies)

| Amp rating | Interrupting rating kA (RMS Sym.) | Number of barrels | Catalog number |
|------------|-----------------------------------|-------------------|----------------|
| 10 | 50 | 1 | 8AHLE-10E |
| 15 | 50 | 1 | 8AHLE-15E |
| 20 | 50 | 1 | 8AHLE-20E |
| 25 | 50 | 1 | 8AHLE-25E |
| 30 | 50 | 1 | 8AHLE-30E |
| 40 | 50 | 1 | 8AHLE-40E |
| 50 | 50 | 1 | 8AHLE-50E |
| 65 | 50 | 1 | 8AHLE-65E |
| 80 | 50 | 1 | 8AHLE-80E |
| 100 | 50 | 1 | 8AHLE-100E |
| 125 | 50 | 1 | 8AHLE-125E |
| 150 | 50 | 1 | 8AHLE-150E |
| 175 | 50 | 1 | 8AHLE-175E |
| 200 | 50 | 2 | 8AHLE-200E |
| 250 | 50 | 2 | 8AHLE-250E |
| 300 | 50 | 2 | 8AHLE-300E |
| 350 | 50 | 2 | 8AHLE-350E |

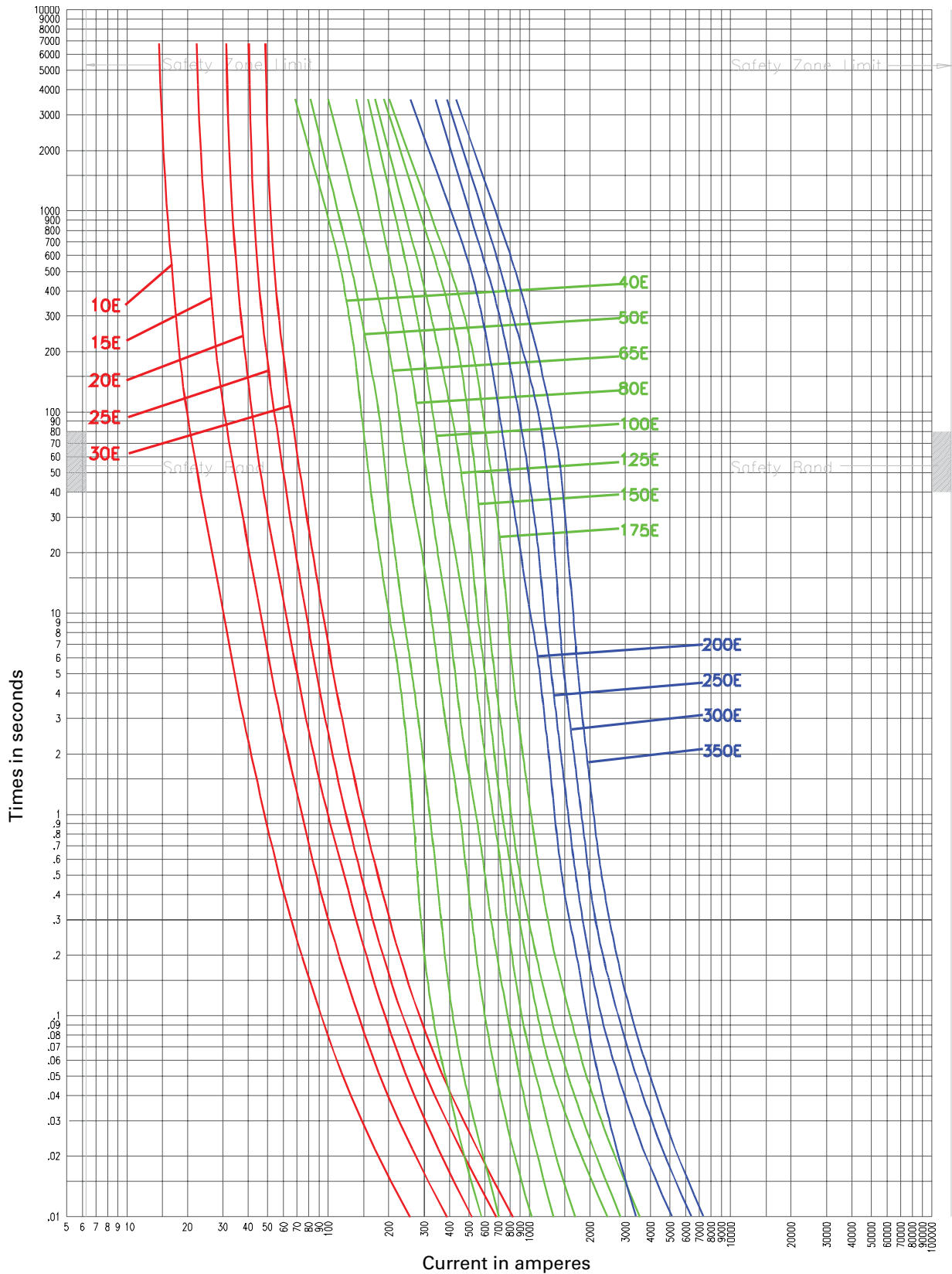
BHLE bolt-on versions

| Amp rating | Dimensions - in (mm) | | | Interrupting rating kA (RMS Sym.) | Number of barrels | Installation location | Catalog number |
|------------|----------------------|----------|---------------|-----------------------------------|-------------------|-----------------------|----------------|
| | Overall length | Diameter | Hole centers | | | | |
| 10 | 19.25 (488.9) | 3 (76.2) | 17.88 (454.2) | 50 | 1 | Indoor | 8BHLE-10E |
| 15 | 19.25 (488.9) | 3 (76.2) | 17.88 (454.2) | 50 | 1 | Indoor | 8BHLE-15E |
| 20 | 19.25 (488.9) | 3 (76.2) | 17.88 (454.2) | 50 | 1 | Indoor | 8BHLE-20E |
| 25 | 19.25 (488.9) | 3 (76.2) | 17.88 (454.2) | 50 | 1 | Indoor | 8BHLE-25E |
| 30 | 19.25 (488.9) | 3 (76.2) | 17.88 (454.2) | 50 | 1 | Indoor | 8BHLE-30E |
| 40 | 19.25 (488.9) | 3 (76.2) | 17.88 (454.2) | 50 | 1 | Indoor | 8BHLE-40E |
| 50 | 19.25 (488.9) | 3 (76.2) | 17.88 (454.2) | 50 | 1 | Indoor | 8BHLE-50E |
| 65 | 19.25 (488.9) | 3 (76.2) | 17.88 (454.2) | 50 | 1 | Indoor | 8BHLE-65E |
| 80 | 19.25 (488.9) | 3 (76.2) | 17.88 (454.2) | 50 | 1 | Indoor | 8BHLE-80E |
| 100 | 19.25 (488.9) | 3 (76.2) | 17.88 (454.2) | 50 | 1 | Indoor | 8BHLE-100E |
| 125 | 19.25 (488.9) | 3 (76.2) | 17.88 (454.2) | 50 | 1 | Indoor | 8BHLE-125E |
| 150 | 19.25 (488.9) | 3 (76.2) | 17.88 (454.2) | 50 | 1 | Indoor | 8BHLE-150E |
| 175 | 19.25 (488.9) | 3 (76.2) | 17.88 (454.2) | 50 | 1 | Indoor | 8BHLE-175E |
| 200 | 19.25 (488.9) | 3 (76.2) | 17.88 (454.2) | 50 | 2 | Indoor | 8BHLE-200E |
| 250 | 19.25 (488.9) | 3 (76.2) | 17.88 (454.2) | 50 | 2 | Indoor | 8BHLE-250E |
| 300 | 19.25 (488.9) | 3 (76.2) | 17.88 (454.2) | 50 | 2 | Indoor | 8BHLE-300E |
| 350 | 19.25 (488.9) | 3 (76.2) | 17.88 (454.2) | 50 | 2 | Indoor | 8BHLE-350E |

HCL clip lock versions

| Amp rating | Dimensions - in (mm) | | | Interrupting rating kA (RMS Sym.) | Number of barrels | Installation location | Catalog number |
|------------|----------------------|----------|--------------|-----------------------------------|-------------------|-----------------------|----------------|
| | Overall length | Diameter | Hole centers | | | | |
| 65 | 22.5 (571.5) | 3 (76.2) | N/A | 50 | 1 | Indoor/outdoor | 8HCL-65E |
| 80 | 22.5 (571.5) | 3 (76.2) | N/A | 50 | 1 | Indoor/outdoor | 8HCL-80E |
| 100 | 22.5 (571.5) | 3 (76.2) | N/A | 50 | 1 | Indoor/outdoor | 8HCL-100E |
| 125 | 22.5 (571.5) | 3 (76.2) | N/A | 50 | 1 | Indoor/outdoor | 8HCL-125E |
| 150 | 22.5 (571.5) | 3 (76.2) | N/A | 50 | 1 | Indoor/outdoor | 8HCL-150E |
| 175 | 22.5 (571.5) | 3 (76.2) | N/A | 50 | 1 | Indoor/outdoor | 8HCL-175E |
| 200 | 22.5 (571.5) | 3 (76.2) | N/A | 50 | 2 | Indoor/outdoor | 8HCL-200E |
| 250 | 22.5 (571.5) | 3 (76.2) | N/A | 50 | 2 | Indoor/outdoor | 8HCL-250E |
| 300 | 22.5 (571.5) | 3 (76.2) | N/A | 50 | 2 | Indoor/outdoor | 8HCL-300E |
| 350 | 22.5 (571.5) | 3 (76.2) | N/A | 50 | 2 | Indoor/outdoor | 8HCL-350E |

8.3kV time-current curves — minimum melt for 8CLE-E and 8CLE-D



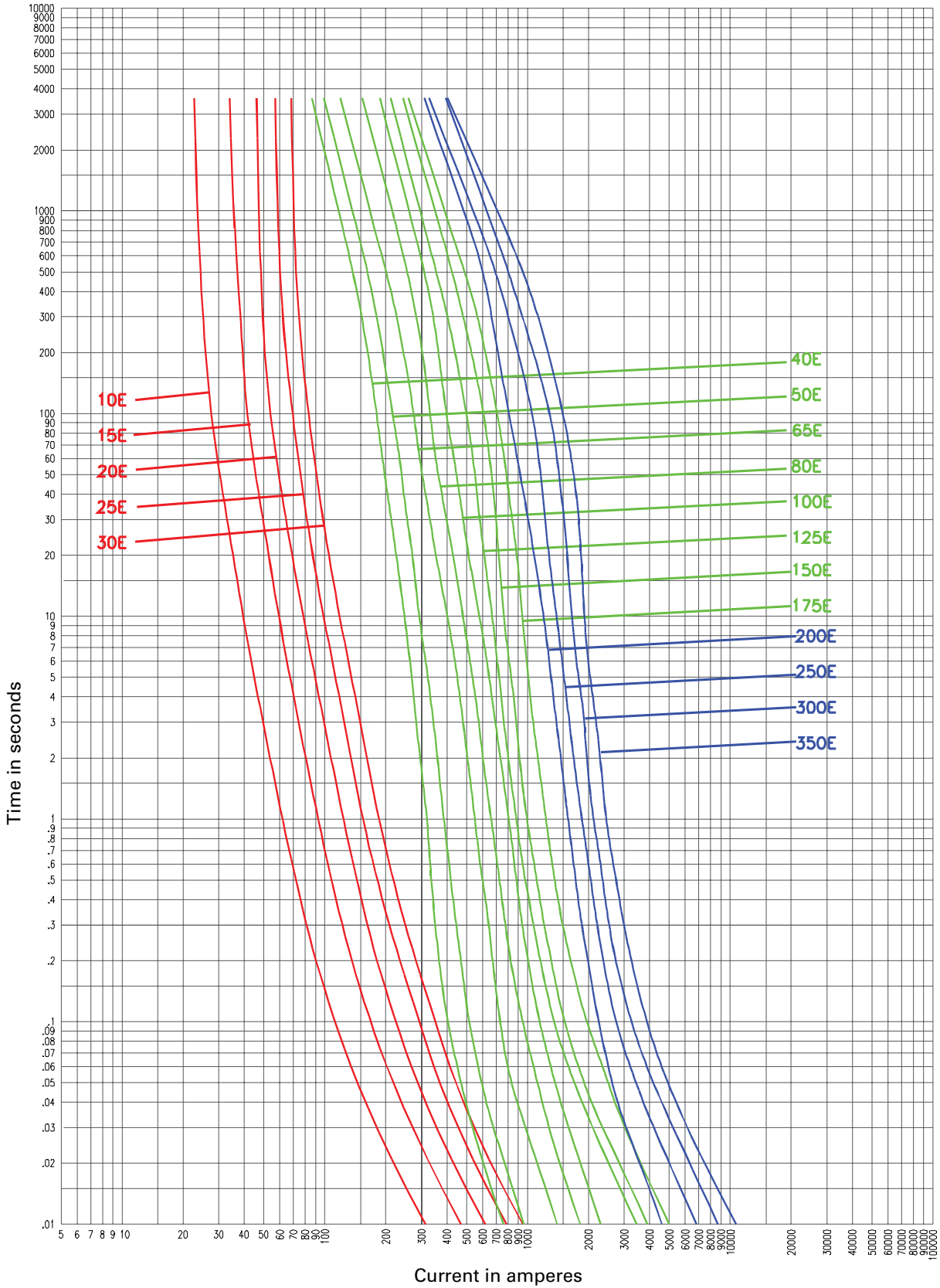
8CLE-

Curve 70548501
April 16, 1999
Reference # 563532

Curve 70546201
April 1999
Reference # 705462

Curve 70546401
April 1999
Reference # 705464

8.3kV time-current curves — total clear for 8CLE-_E and 8CLE_-_D



8CLE-_

| | | |
|--------------------|--------------------|--------------------|
| Curve 70548601 | Curve 70546301 | Curve 70546501 |
| April 16, 1999 | April 1999 | April 1999 |
| Reference # 563533 | Reference # 705463 | Reference # 705465 |

8.3kV peak let-through for 8CLE-_E and 8CLE-_-D

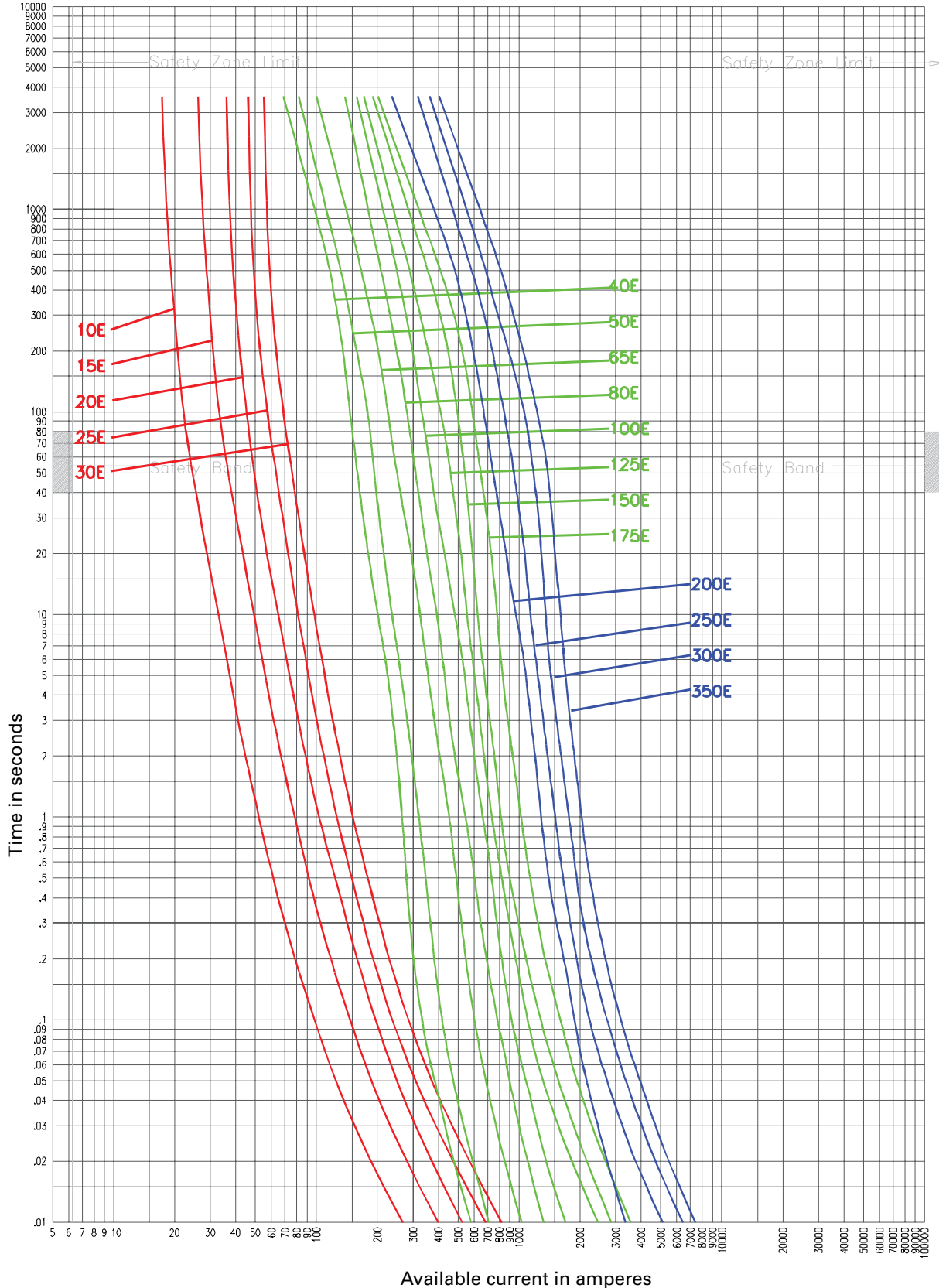


8CLE-_

Curve 70548801
September 1999
Reference # 705488

Curve 70547301
April 1999
Reference # 705473

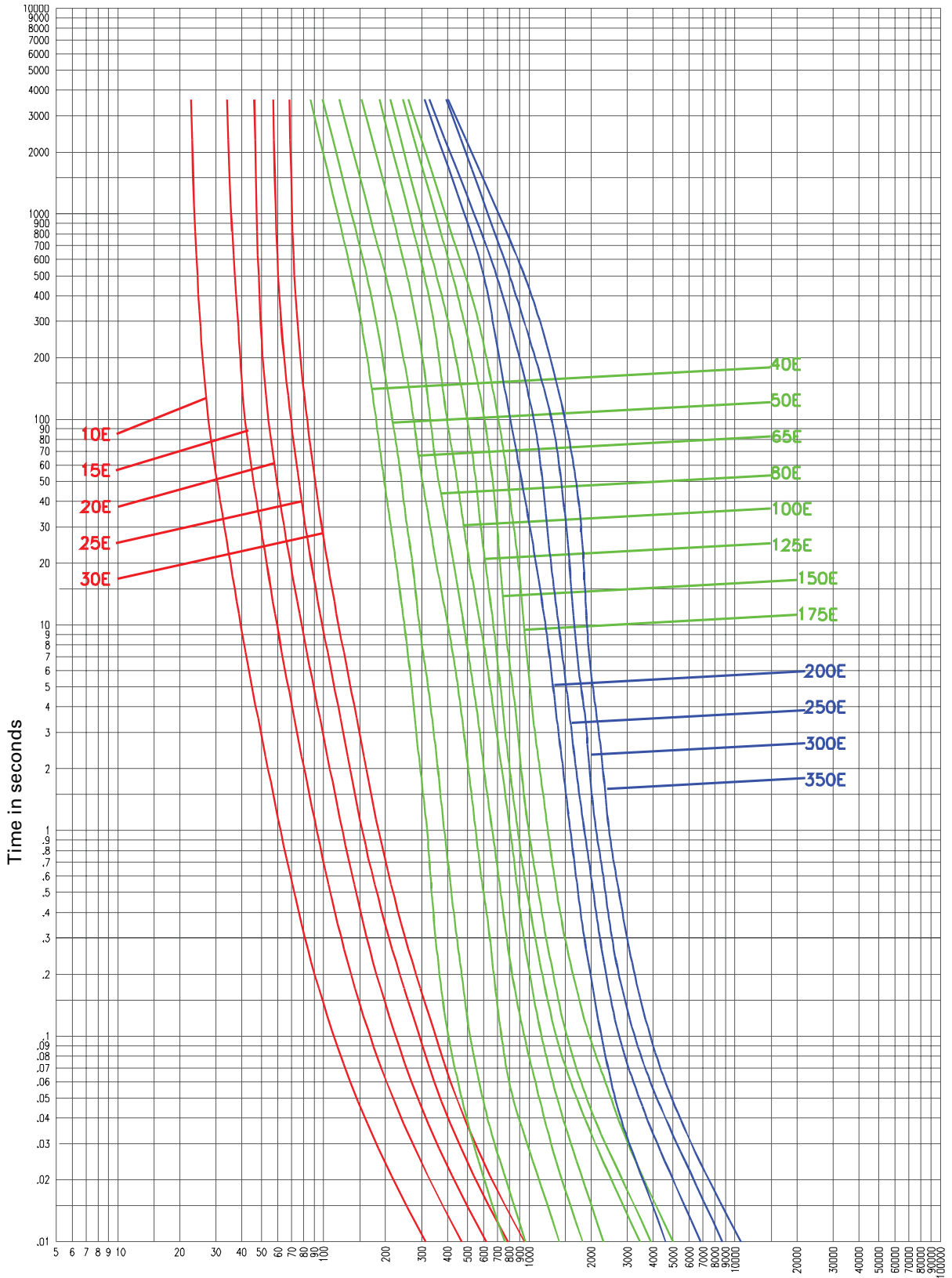
8.3kV Time-current curves — minimum melt for 8HLE-_E, 8AHLE-_E and 8BHLE-_E



8HLE-_E, 8BHLE-_E, 8AHLE-_E

| | | |
|--------------------|--------------------|--------------------|
| Curve 70548507 | Curve 70546203 | Curve 70546403 |
| April 16, 1999 | April 1999 | April 1999 |
| Reference # 563532 | Reference # 705462 | Reference # 705464 |

8.3kV Time-current curves — total clear for 8HLE-_E, 8AHLE-_E and 8BHLE-_E



Available current in amperes

| | | | |
|--|--------------------|--------------------|--------------------|
| 8HLE- _E , 8BHLE- _E , 8AHLE- _E | Curve 70548607 | Curve 70546303 | Curve 70546503 |
| | April 16, 1999 | April 1999 | April 1999 |
| | Reference # 563533 | Reference # 705463 | Reference # 705465 |

8.3kV peak let-through for 8HLE- _E, 8AHLE- _E and 8BHLE- _E



8HLE- _, 8BHLE- _, 8AHLE- _

Curve 70548804
 September 1999
 Reference # 705488

Curve 70547201
 April 1999
 Reference # 705472

The only controlled copy of this data sheet is the electronic read-only version located on the Eaton network drive. All other copies of this document are by definition uncontrolled. This bulletin is intended to clearly present comprehensive product data and provide technical information that will help the end user with design applications. Eaton reserves the right, without notice, to change design or construction of any products and to discontinue or limit distribution of any products. Eaton also reserves the right to change or update, without notice, any technical information contained in this bulletin. Once a product has been selected, it should be tested by the user in all possible applications.

Eaton
1000 Eaton Boulevard
Cleveland, OH 44122
United States
Eaton.com

Bussmann Division
114 Old State Road
Ellisville, MO 63021
United States
Eaton.com/bussmannseries

© 2015 Eaton
All Rights Reserved
Printed in USA
Publication No. 10352 – BU-SB15152
December 2015

Eaton, Bussmann and AMPGARD are valuable trademarks of Eaton in the US and other countries. You are not permitted to use the Eaton trademarks without prior written consent of Eaton.

For Eaton's Bussmann series product information, call **1-855-287-7626** or visit: **Eaton.com/bussmannseries**

Компания «Океан Электроники» предлагает заключение долгосрочных отношений при поставках импортных электронных компонентов на взаимовыгодных условиях!

Наши преимущества:

- Поставка оригинальных импортных электронных компонентов напрямую с производств Америки, Европы и Азии, а так же с крупнейших складов мира;
- Широкая линейка поставок активных и пассивных импортных электронных компонентов (более 30 млн. наименований);
- Поставка сложных, дефицитных, либо снятых с производства позиций;
- Оперативные сроки поставки под заказ (от 5 рабочих дней);
- Экспресс доставка в любую точку России;
- Помощь Конструкторского Отдела и консультации квалифицированных инженеров;
- Техническая поддержка проекта, помощь в подборе аналогов, поставка прототипов;
- Поставка электронных компонентов под контролем ВП;
- Система менеджмента качества сертифицирована по Международному стандарту ISO 9001;
- При необходимости вся продукция военного и аэрокосмического назначения проходит испытания и сертификацию в лаборатории (по согласованию с заказчиком);
- Поставка специализированных компонентов военного и аэрокосмического уровня качества (Xilinx, Altera, Analog Devices, Intersil, Interpoint, Microsemi, Actel, Aeroflex, Peregrine, VPT, Syfer, Eurofarad, Texas Instruments, MS Kennedy, Miteq, Cobham, E2V, MA-COM, Hittite, Mini-Circuits, General Dynamics и др.);

Компания «Океан Электроники» является официальным дистрибьютором и эксклюзивным представителем в России одного из крупнейших производителей разъемов военного и аэрокосмического назначения «JONHON», а так же официальным дистрибьютором и эксклюзивным представителем в России производителя высокотехнологичных и надежных решений для передачи СВЧ сигналов «FORSTAR».



JONHON

«JONHON» (основан в 1970 г.)

Разъемы специального, военного и аэрокосмического назначения:

(Применяются в военной, авиационной, аэрокосмической, морской, железнодорожной, горно- и нефтедобывающей отраслях промышленности)

«FORSTAR» (основан в 1998 г.)

ВЧ соединители, коаксиальные кабели, кабельные сборки и микроволновые компоненты:

(Применяются в телекоммуникациях гражданского и специального назначения, в средствах связи, РЛС, а так же военной, авиационной и аэрокосмической отраслях промышленности).



Телефон: 8 (812) 309-75-97 (многоканальный)

Факс: 8 (812) 320-03-32

Электронная почта: ocean@oceanchips.ru

Web: <http://oceanchips.ru/>

Адрес: 198099, г. Санкт-Петербург, ул. Калинина, д. 2, корп. 4, лит. А