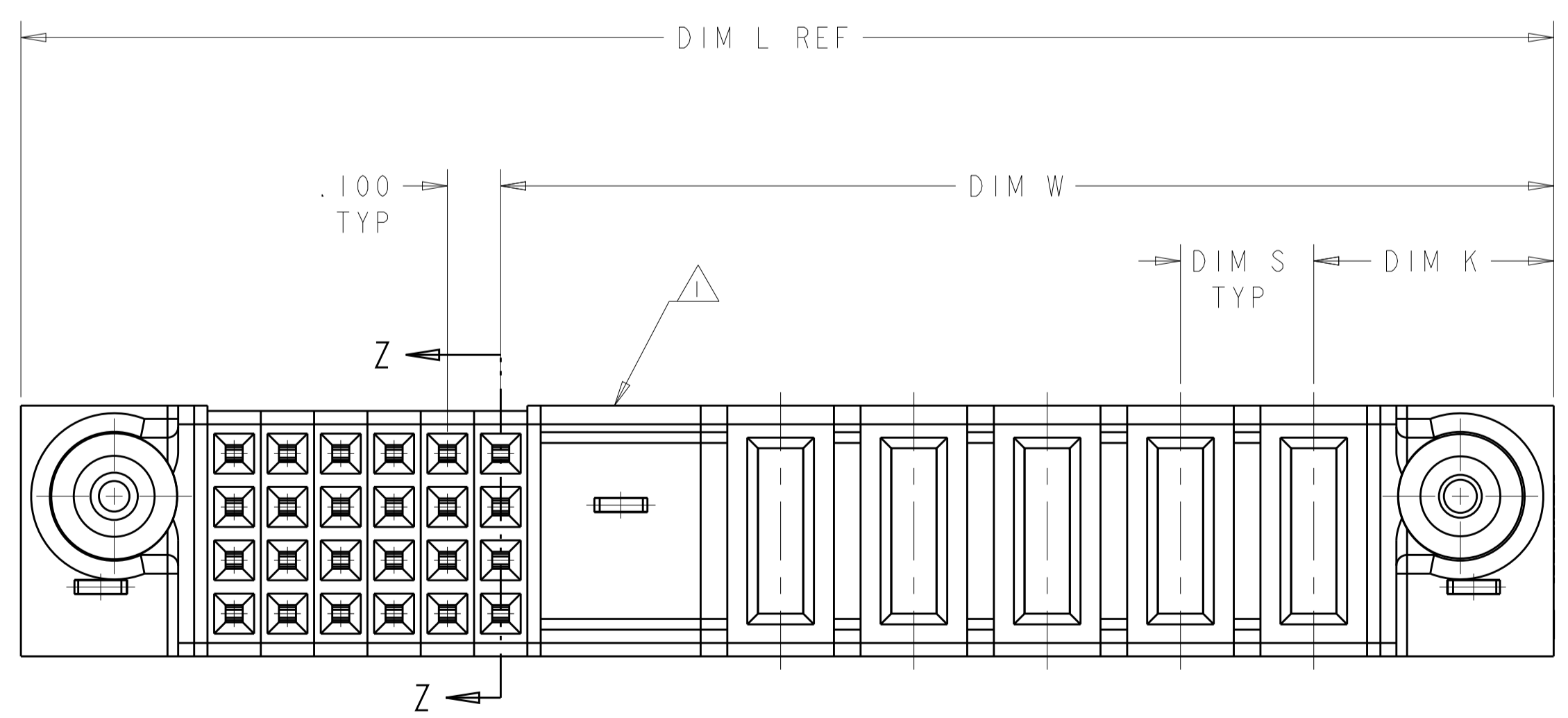
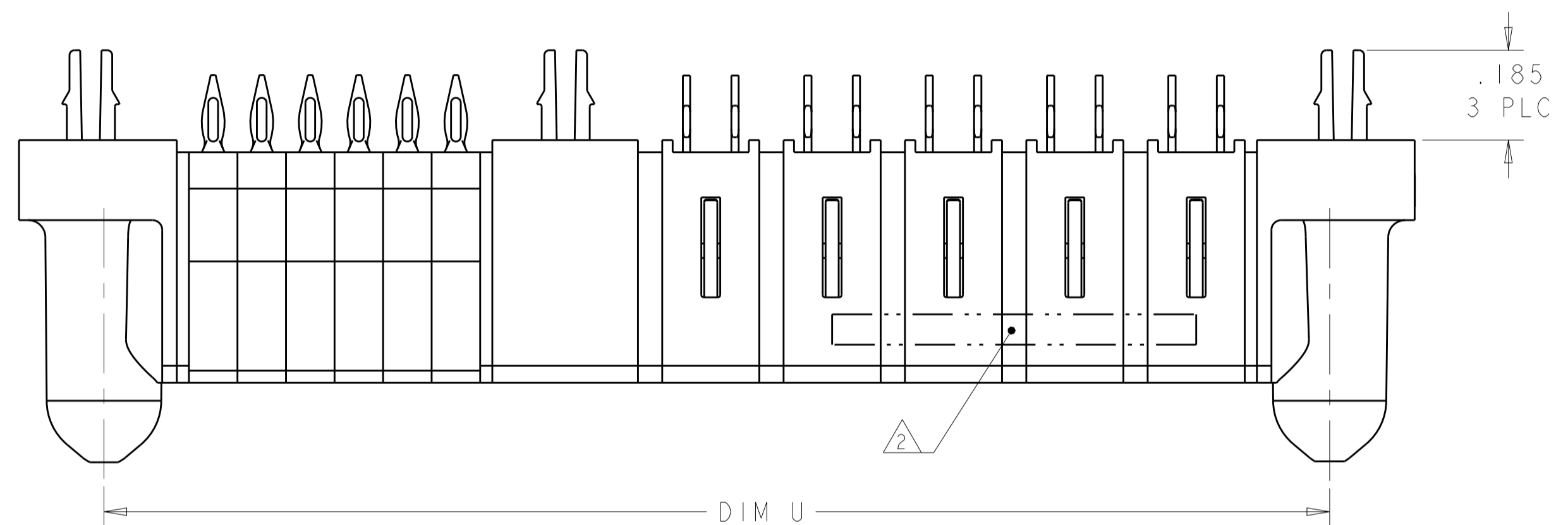
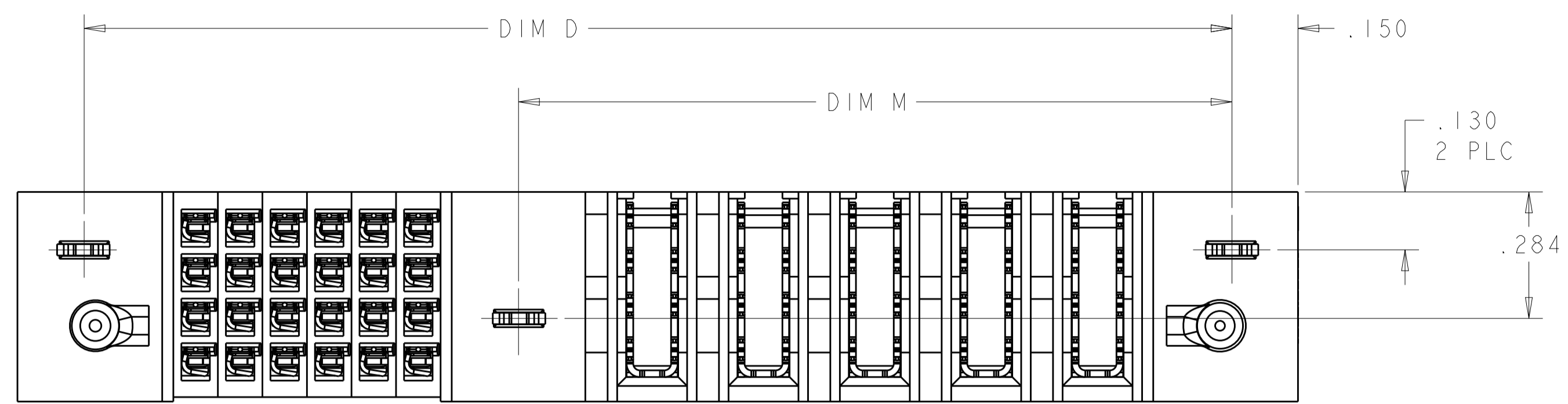
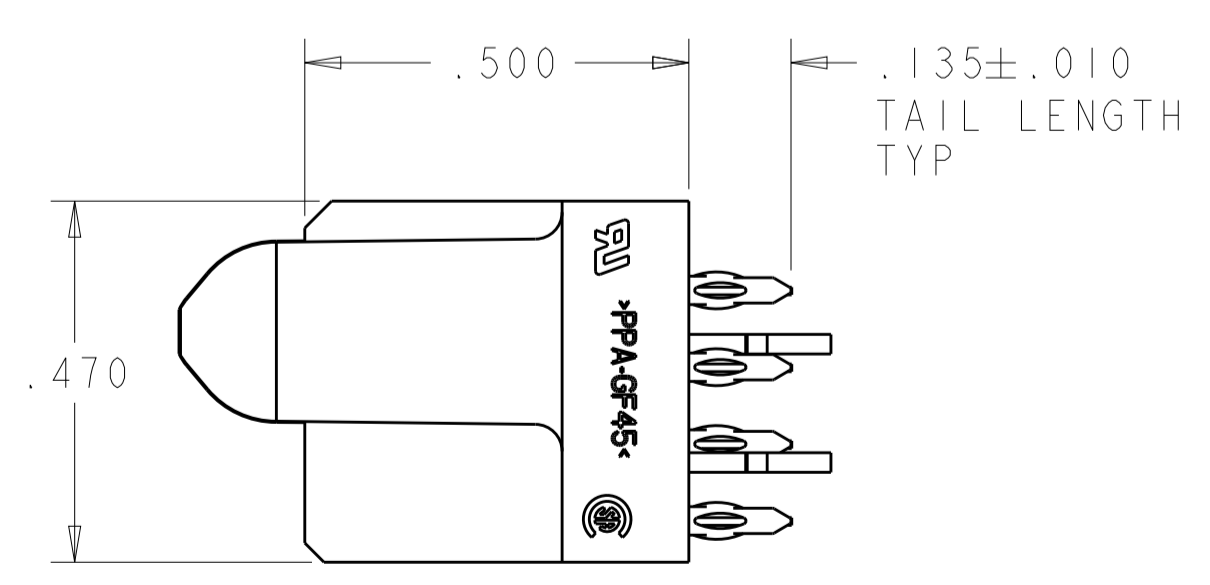
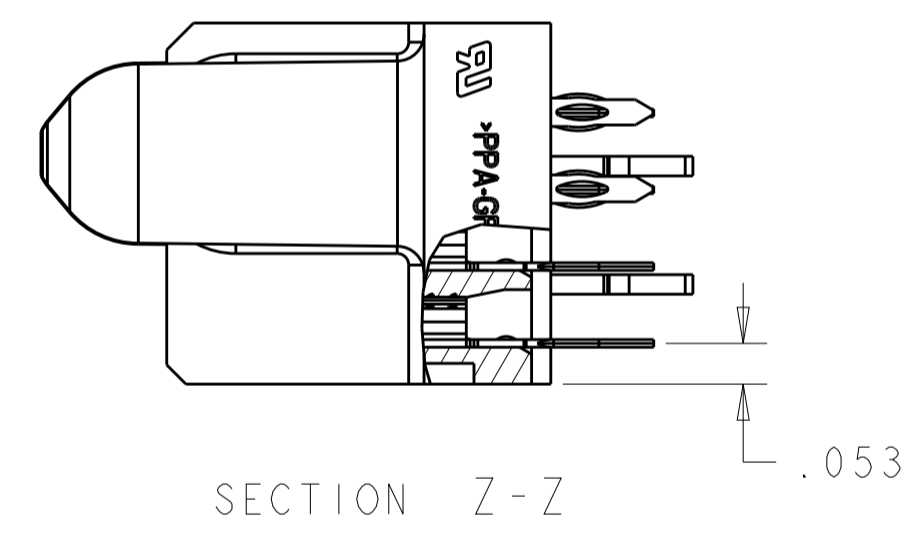


LOC		DIST		REVISIONS			
P	LTN	DESCRIPTION	DATE	DMN	APVD		
G7		REV PER ECR-09-008079	08APR2009	OL	SY		
H		REV PER ECR-12-003783	28FEB2012	CZ	SZ		
H2		ADD NEW PART -29	28JAN2015	AY	SZ		



- 1 OPTIONAL CENTER MODULE, WITH Ø.150 THRU HOLE OR HOLD DOWN FEATURE
- 2 "AMP", PART NUMBER, AND DATE CODE TO BE MARKED IN AREA SHOWN
PARTS UNDER 2.00 LONG MAY BE MARKED ON BOTH SIDES
- 3 MATERIAL: HOUSING - GLASS FILLED HIGH TEMP THERMO PLASTIC, UL94 V-0
SIGNAL CONTACT - HIGH CONDUCTIVITY COPPER ALLOY
POWER CONTACT - HIGH CONDUCTIVITY COPPER ALLOY
- 4 CONTACT PLATING: NOBLE METAL PLATING ON CONTACT FUNCTIONAL
AREA OF POWER AND SIGNAL CONTACTS
- 5 MECHANICAL CONNECTOR KEEP OUT ZONE
- 6 DATUM AND BASIC DIMENSIONS ESTABLISHED BY CUSTOMER
- 7 PCB - ALL HOLE DIAMETERS ARE FINISHED HOLE SIZES
- 8 PCB - .0453±.0010 DRILLED HOLES PLATED WITH .0003 MIN Sn
OVER .001 TO .003 CU PLATING TO ACHIEVE
A .040±.003 DIA HOLE
- 9 VARIABLE DIMENSIONS PLEASE REFER TO TABLE FOR DETAIL.

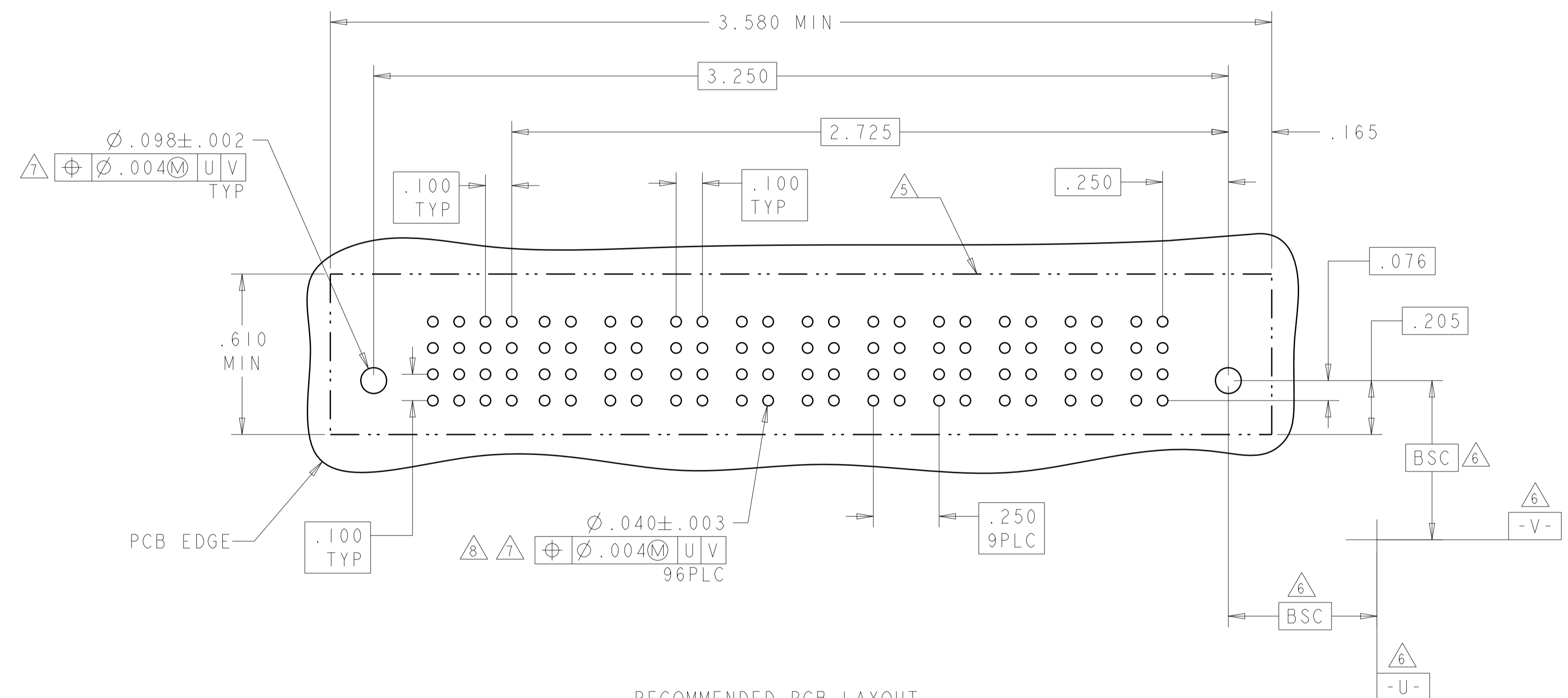


THIS DRAWING IS A CONTROLLED DOCUMENT.		DMN R.GRZYBOWSKI 28FEB05	TE Connectivity VERTICAL RECEPTACLE ASSEMBLY WITH GUIDES MULTI-BEAM XL	
DIMENSIONS: INCHES		CHK M.PERCHEKKE 28FEB05		
TOLERANCES UNLESS OTHERWISE SPECIFIED:		PRODUCT SPEC		NAME
0 PLC ±.01		108-1973		SIZE
2 PLC ±.01		APPLICATION SPEC		CAGE CODE
3 PLC ±.005		114-13038		DRAWING NO
4 PLC ±.0020		WEIGHT		RESTRICTED TO
ANGLES ±.020		CUSTOMER DRAWING		A100779
FINISH		SCALE		4:1
MATERIAL		SHEET		1 OF 10
REV		REV		H2

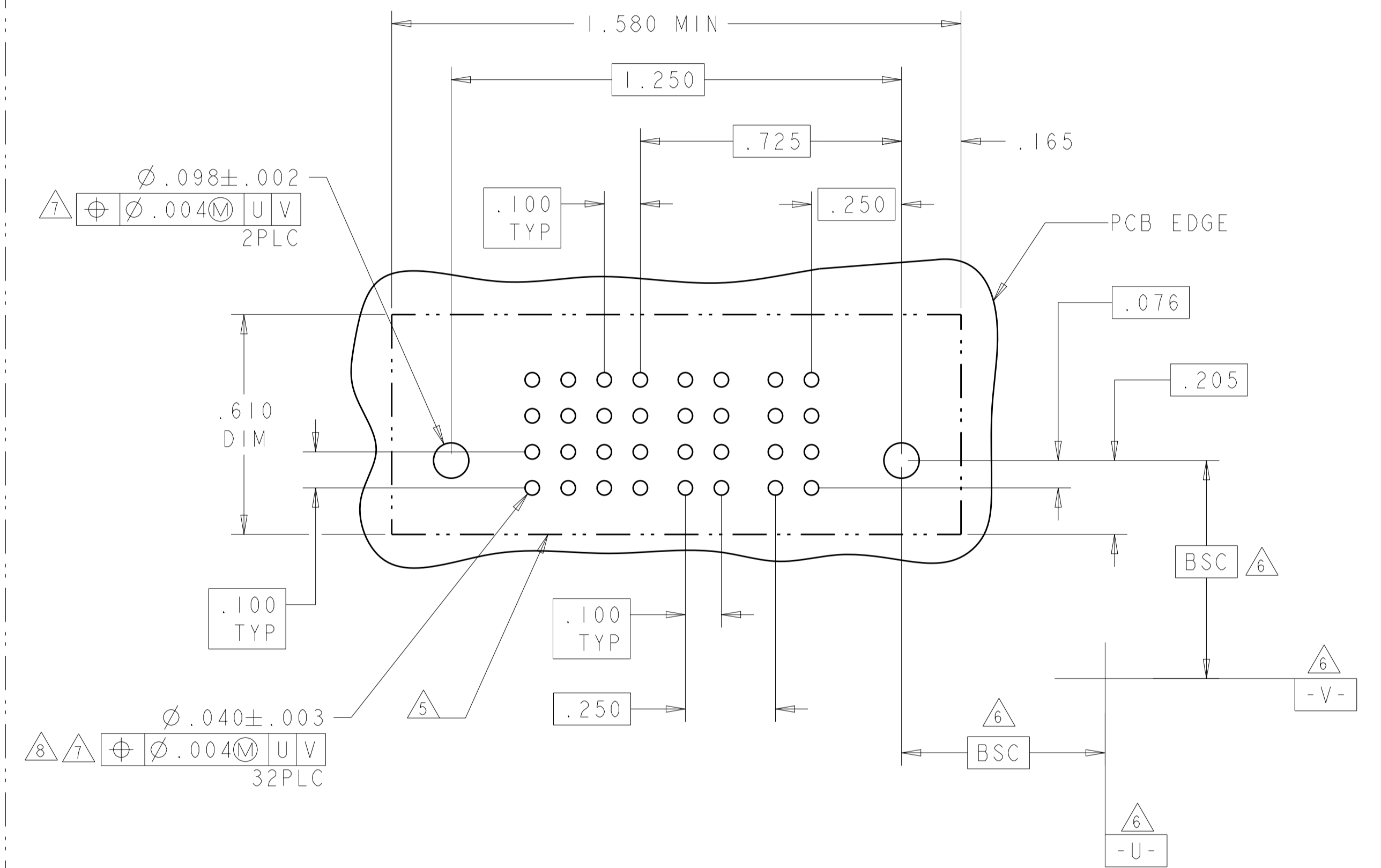
LOC	DIST	REV	DATE	BY	APPV
ES	00				

PART NUMBER	ROWS	SIGNAL				POWER										
		4	3	2	1	P10	P9	P8	P7	P6	P5	P4	P3	P2	P1	
2-6450542-2	D C B A	AP	AP	AP	AP	GS	GS	GS	GS	GS	GS	GS	GS	GS	GS	
		HD														HD
		10P + 16S														

PART NUMBER	ROWS	SIGNAL				POWER		
		4	3	2	1	P2	P1	
2-6450542-3	D C B A	AP	AP	AP	AP	GS	GS	
		HD						HD
		2P + 16S						



RECOMMENDED PCB LAYOUT
6450542-22



RECOMMENDED PCB LAYOUT
6450542-23

H2	DIM U	DIM S	DIM W	DIM D	DIM M	DIM L	DIM K	DESCRIPTION	PART NUMBER
	1.500	.250	1.375	1.550	-	1.850	.450	4P + 8S	2-6450542-9
	4.425	.200	2.200	4.475	-	4.775	.450	9P + 92S	2-6450542-7
	3.350	.200	2.825	3.400	-	3.700	.450	12HDP + 24S	2-6450542-5
	2.825	.200	2.300	2.875	-	3.175	.475	3ACP + 4P + 24S	2-6450542-4
	1.200	.250	.875	1.250	-	1.550	.450	2P + 16S	2-6450542-3
	3.200	.250	2.875	3.250	-	3.550	.450	10P + 16S	2-6450542-2
	2.300	.250	1.875	2.350	-	2.650	.450	6P + 20S	2-6450542-0
	1.800	.250	1.275	1.850	-	2.150	.450	4P + 24S	1-6450542-9
	2.900	.250	2.375	2.950	-	3.250	.450	8P + 24S	1-6450542-8
	2.100	.250	1.375	2.150	-	2.450	.450	4P + 32S	1-6450542-7
	2.100	.250	1.875	2.150	-	2.450	.450	6P + 12S	1-6450542-6
	2.900	.200	2.425	3.000	-	3.300	.450	10HDP + 24S	1-6450542-5
	2.000	.250	.875	-	-	2.350	.450	2P + 48S	1-6450542-4
	5.900	.250	5.375	5.950	-	6.250	.450	20P + 24S	1-6450542-2
	1.400	.250	.875	1.450	-	1.750	.450	2P + 24S	1-6450542-1
	1.100	-	.575	1.150	-	1.450	.425	1P + 24S	1-6450542-0
	4.425	.250	3.875	4.475	-	4.775	.450	14P + 24S	6450542-9
	3.050	.250	2.125	3.100	-	3.400	.450	7P + 40S	6450542-8
	3.800	-	3.550	3.850	-	4.150	.475	11P + 12S	6450542-4
	3.800	-	3.550	3.850	-	4.150	.475	11P + 12S	6450542-3
	3.000	.250	2.375	3.050	-	3.350	.450	8P + 28S	6450542-2
	1.600	.250	1.375	1.650	-	1.950	.450	4P + 12S	6450542-1

THIS DRAWING IS A CONTROLLED DOCUMENT.

OWNER: R. GRZYBOWSKI 28FEB95
 CHK: M. PERCHERKE 28FEB05

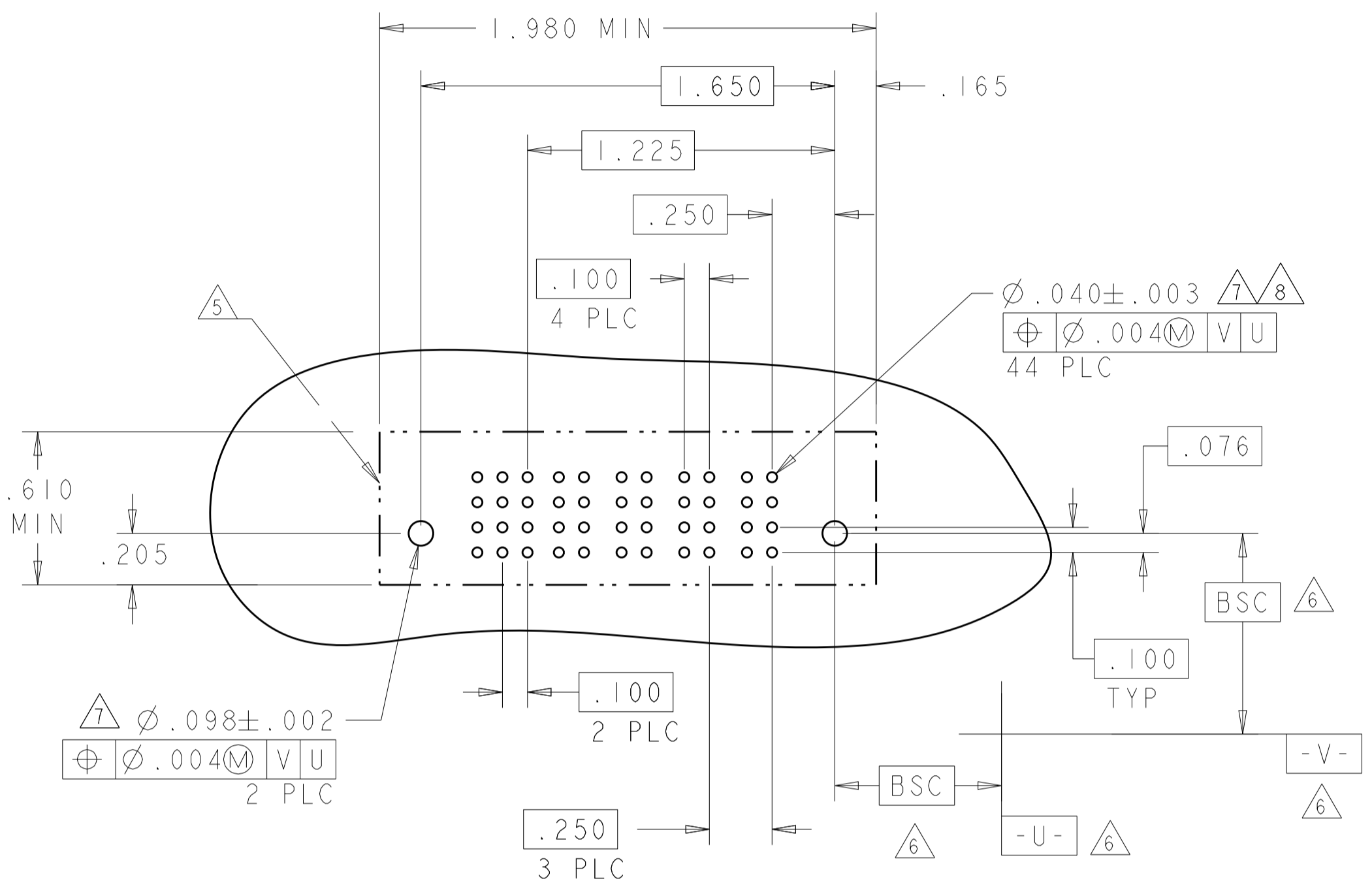
TE Connectivity

VERTICAL RECEPTACLE ASSEMBLY WITH GUIDES MULTI-BEAM XL

SIZE: 114-13038
 WEIGHT: A100779
 SCALE: 4:1 SHEET 2 OF 10 REV H2

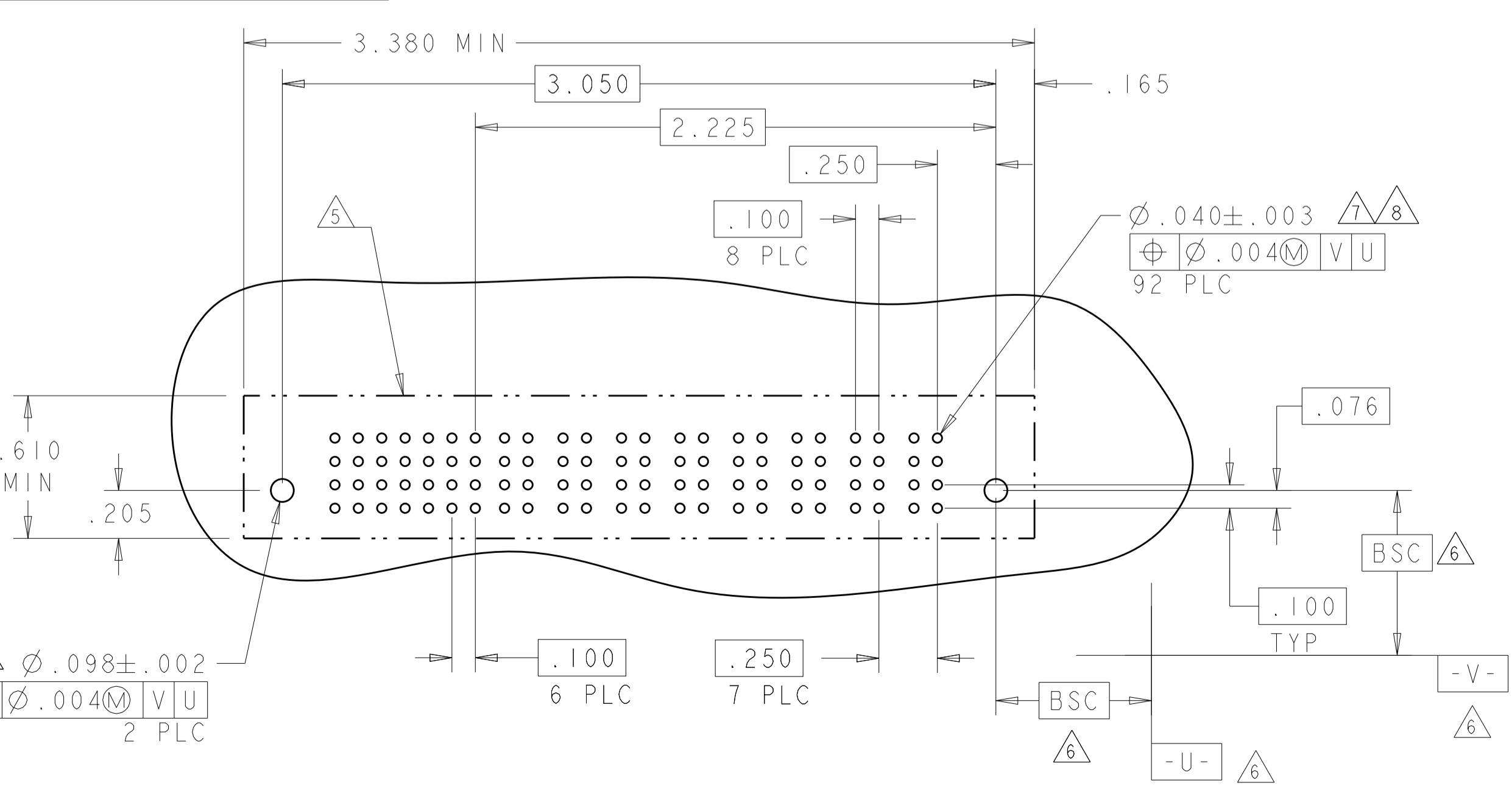
PART NUMBER	ROWS	SIGNAL			POWER			
		3	2	1	P4	P3	P2	P1
6450542-1	D	AP	AP	AP	GP	GP	GP	GP
	C	AP	AP	AP				
	B	AP	AP	AP				
	A	AP	AP	AP				

4P + 12S



PART NUMBER	ROWS	SIGNAL							POWER								
		7	6	5	4	3	2	1	P8	P7	P6	P5	P4	P3	P2	P1	
6450542-2	D	AP	AP	AP	AP	AP	AP	AP	GP	GP	GP	GP	GP	GP	GP	GP	
	C	AP	AP	AP	AP	AP	AP	AP									
	B	AP	AP	AP	AP	AP	AP	AP									AP
	A	AP	AP	AP	AP	AP	AP	AP									AP

8P + 28S



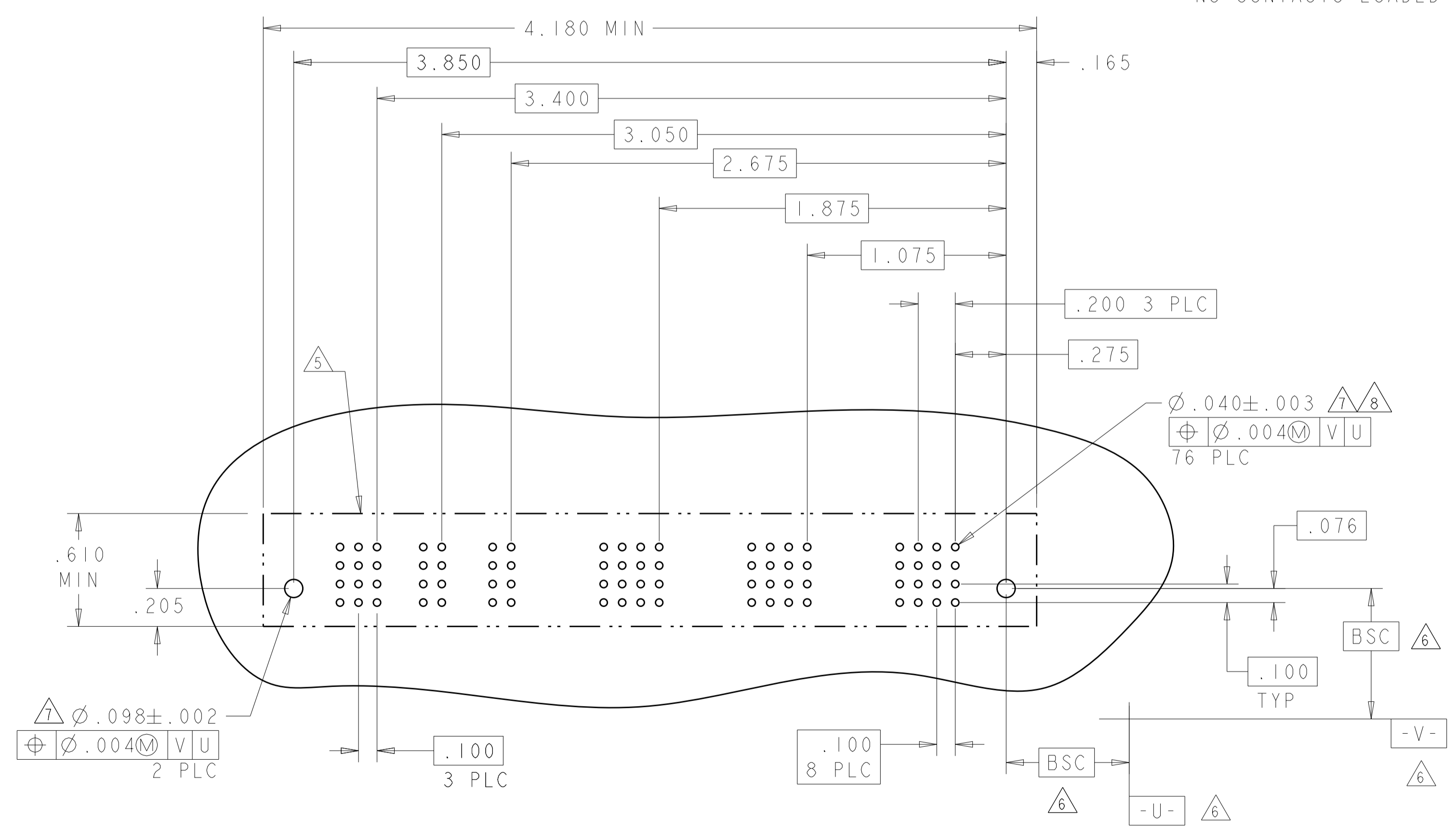
LOC	DIST	REVISIONS			
ES	00	REV	DATE	BY	APPV
		1	SEE SHEET 1		

PART NUMBER	ROWS	SIGNAL			POWER											
		3	2	1	P11	P10	P9	P8	P7	P6	P5	P4	P3	P2	P1	
6450542-3	D	AP	AP	AP	GP	GP	GP	GP	GP	GP	GP	GP	GP	GP	GP	GP
	C	AP	AP	AP												
	B	AP	AP	AP												
	A	AP	AP	AP												

11P + 12S

PART NUMBER	ROWS	SIGNAL			POWER											
		3	2	1	P11	P10	P9	P8	P7	P6	P5	P4	P3	P2	P1	
6450542-4	D	AP	AP	AP	GP	GP	GP	GP	GP	GP	GP	GP	GP	GP	GP	GP
	C	AP	AP	AP												
	B	AP	AP	AP												
	A	AP	AP	AP												

11P + 12S



AP	SIGNAL PRESS FIT
GS	POWER PRESS FIT, STD
GP	POWER PRESS FIT, MFBL
CODE	TAIL LENGTH

THIS DRAWING IS A CONTROLLED DOCUMENT.

DIMENSIONS:	TOLERANCES UNLESS OTHERWISE SPECIFIED:	OWN: R. GRZYBOWSKI 28FEB95	DATE: 28FEB05
INCHES	0 PLC ± .01	CHK: M. PERCHERKE	NAME: M. PERCHERKE
	1 PLC ± .01	APV: M. PERCHERKE	PRODUCT SPEC: 108-1973
	2 PLC ± .01		APPLICATION SPEC: 114-13038
	3 PLC ± .005		WEIGHT: 114-13038
	4 PLC ± .002		REVISION: 1
	ANGLES ± .002		SCALE: 1:1
MATERIAL:	FINISH:	CUSTOMER DRAWING	

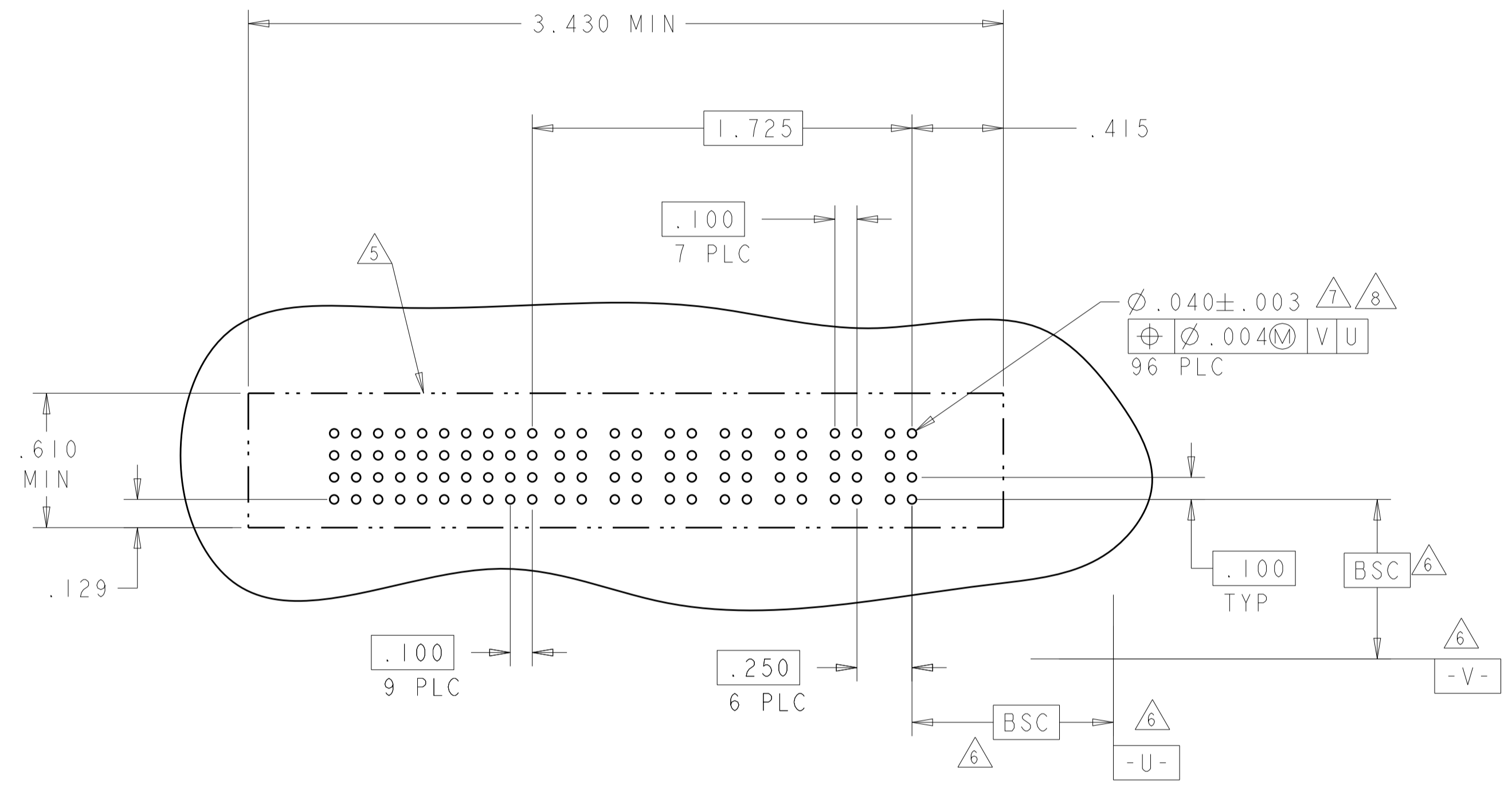
STE TE Connectivity

VERTICAL RECEPTACLE ASSEMBLY WITH GUIDES MULTI-BEAM XL

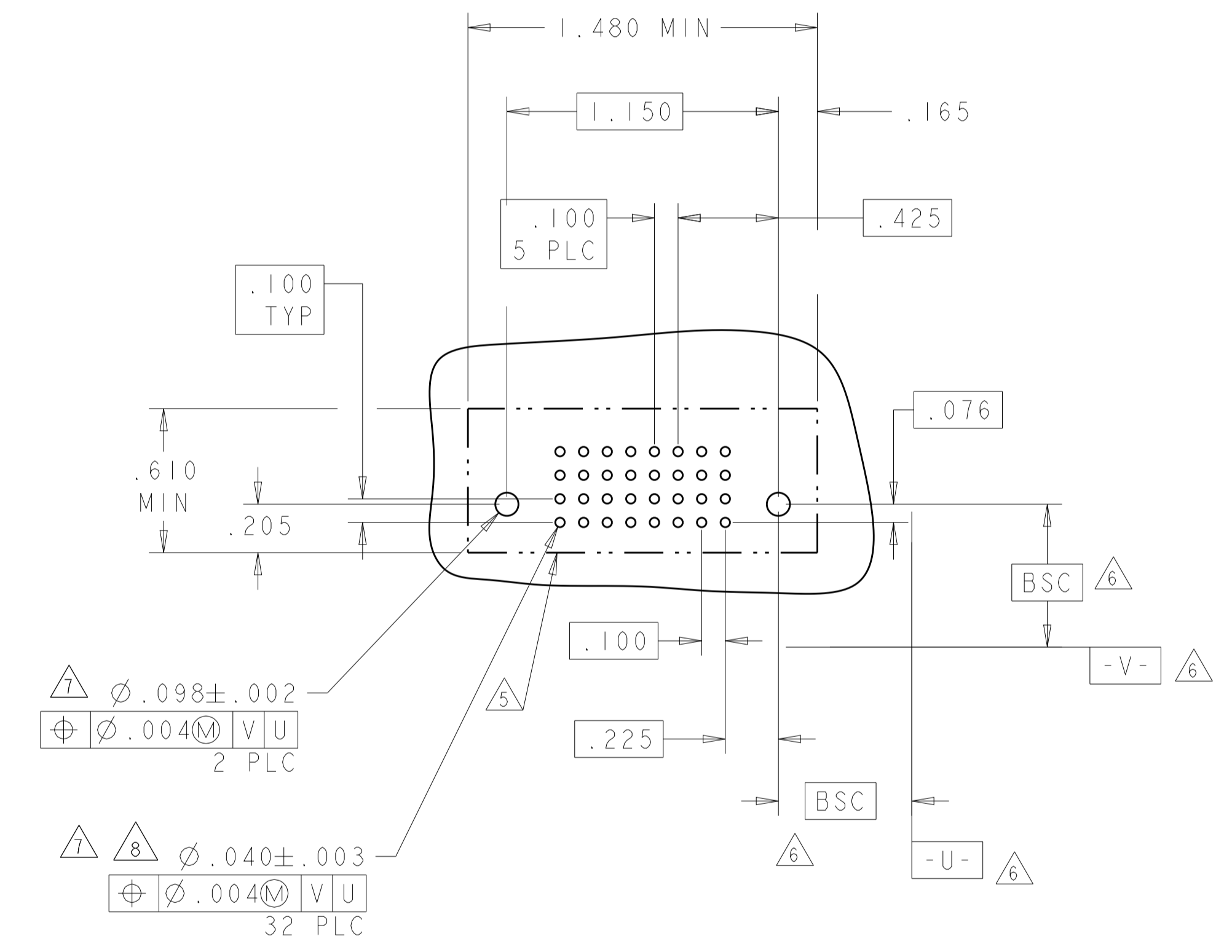
SIZE: A1 00779 C=6450542 SHEET 3 OF 10 REV H2

LOC	DIST	REVISIONS			
ES	00	REV	DATE	BY	APPV
		1	SEE SHEET 1		

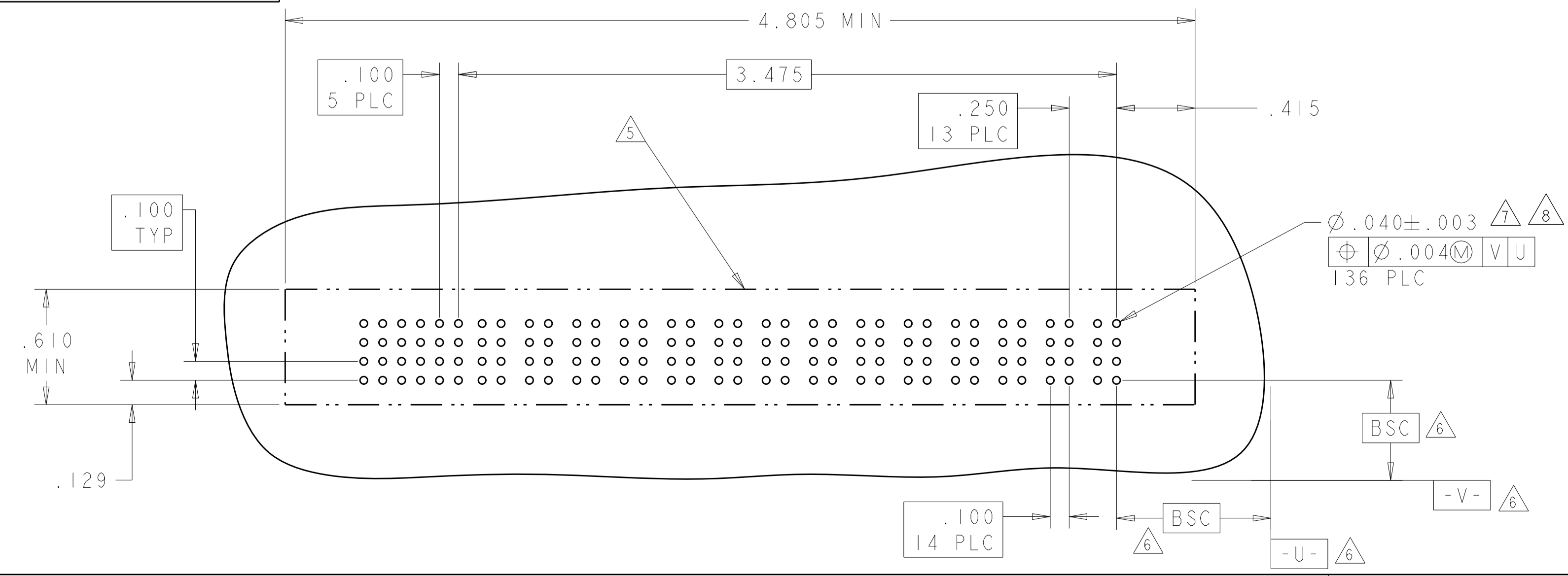
PART NUMBER	ROWS	SIGNAL										POWER						
		10	9	8	7	6	5	4	3	2	1	P7	P6	P5	P4	P3	P2	P1
6450542-8	D C B A	AP	AP	AP	AP	AP	AP	AP	AP	AP	AP	GP	GP	GP	GP	GP	GP	GP
		AP	AP	AP	AP	AP	AP	AP	AP	AP	AP	GP	GP	GP	GP	GP	GP	GP
		AP	AP	AP	AP	AP	AP	AP	AP	AP	AP	GP	GP	GP	GP	GP	GP	GP
		AP	AP	AP	AP	AP	AP	AP	AP	AP	AP	GP	GP	GP	GP	GP	GP	GP
7P + 40S																		



PART NUMBER	ROWS	SIGNAL					POWER	
		6	5	4	3	2	1	P1
1-6450542-0	D C B A	AP	AP	AP	AP	AP	AP	GP
		AP	AP	AP	AP	AP	AP	GP
		AP	AP	AP	AP	AP	AP	GP
		AP	AP	AP	AP	AP	AP	GP
IP + 24S								



PART NUMBER	ROWS	SIGNAL						POWER															
		6	5	4	3	2	1	P14	P13	P12	P11	P10	P9	P8	P7	P6	P5	P4	P3	P2	P1		
6450542-9	D C B A	AP	AP	AP	AP	AP	AP	GP	GP	GP	GP	GP	GP	GP	GP	GP	GP	GP	GP	GP	GP	GP	
		AP	AP	AP	AP	AP	AP	GP	GP	GP	GP	GP	GP	GP	GP	GP	GP	GP	GP	GP	GP	GP	
		AP	AP	AP	AP	AP	AP	GP	GP	GP	GP	GP	GP	GP	GP	GP	GP	GP	GP	GP	GP	GP	
		AP	AP	AP	AP	AP	AP	GP	GP	GP	GP	GP	GP	GP	GP	GP	GP	GP	GP	GP	GP	GP	
14P + 24S																							



THIS DRAWING IS A CONTROLLED DOCUMENT.

DIMENSIONS: INCHES	TOLERANCES UNLESS OTHERWISE SPECIFIED:	OWN: R. GRZYBOWSKI 28FEB95	CHK: M. PERCHERKE 28FEB05	APVD: M. PERCHERKE	NAME: VERTICAL RECEPTACLE ASSEMBLY WITH GUIDES MULTI-BEAM XL
MATERIAL:	FINISH:	SIZE: 108-1973	APPLICATION SPEC: 114-13038	WEIGHT:	RESTRICTED TO: -
CUSTOMER DRAWING		SCALE: 4:1	SHEET: 4 OF 10	REV: H2	

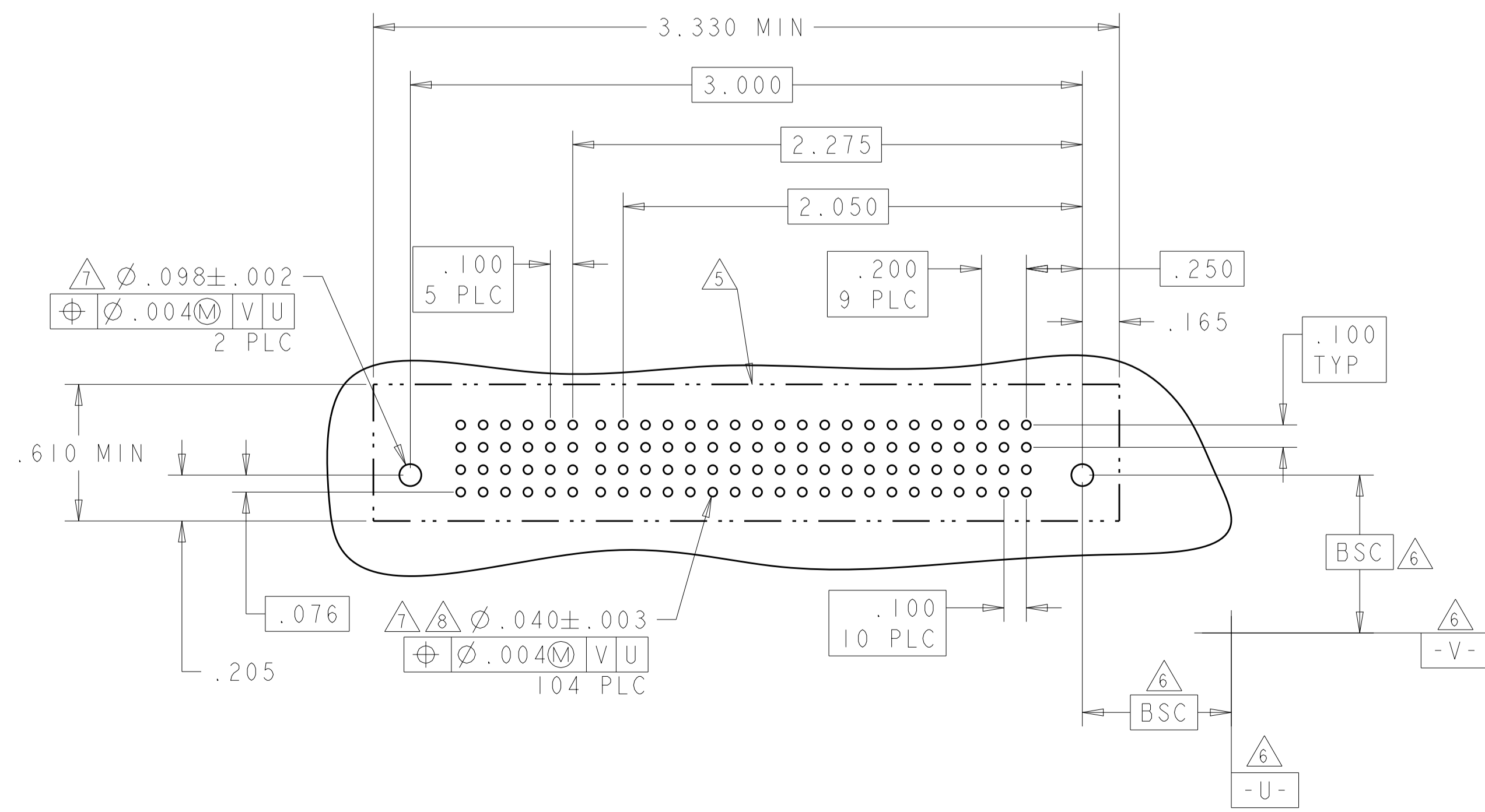
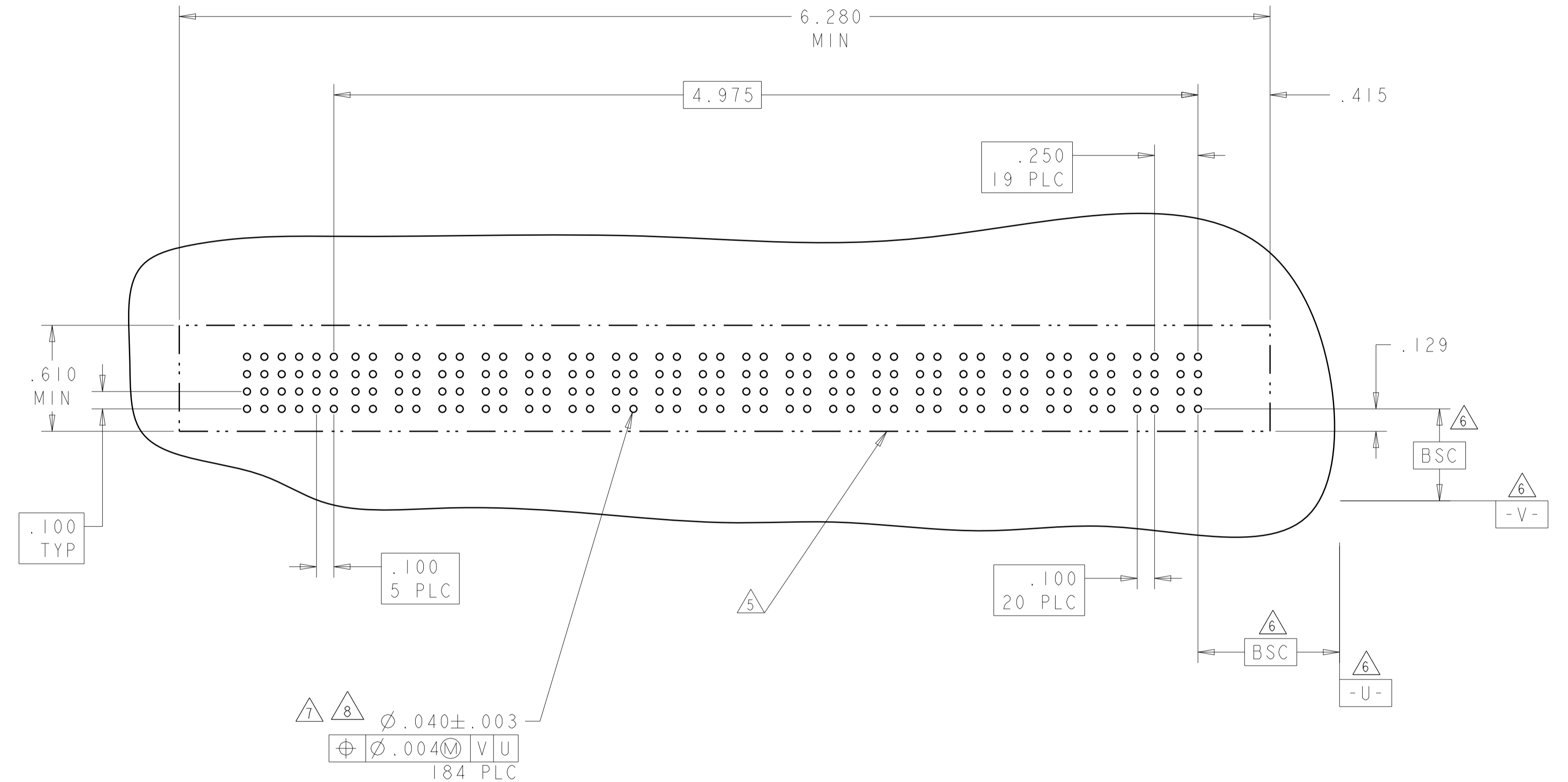
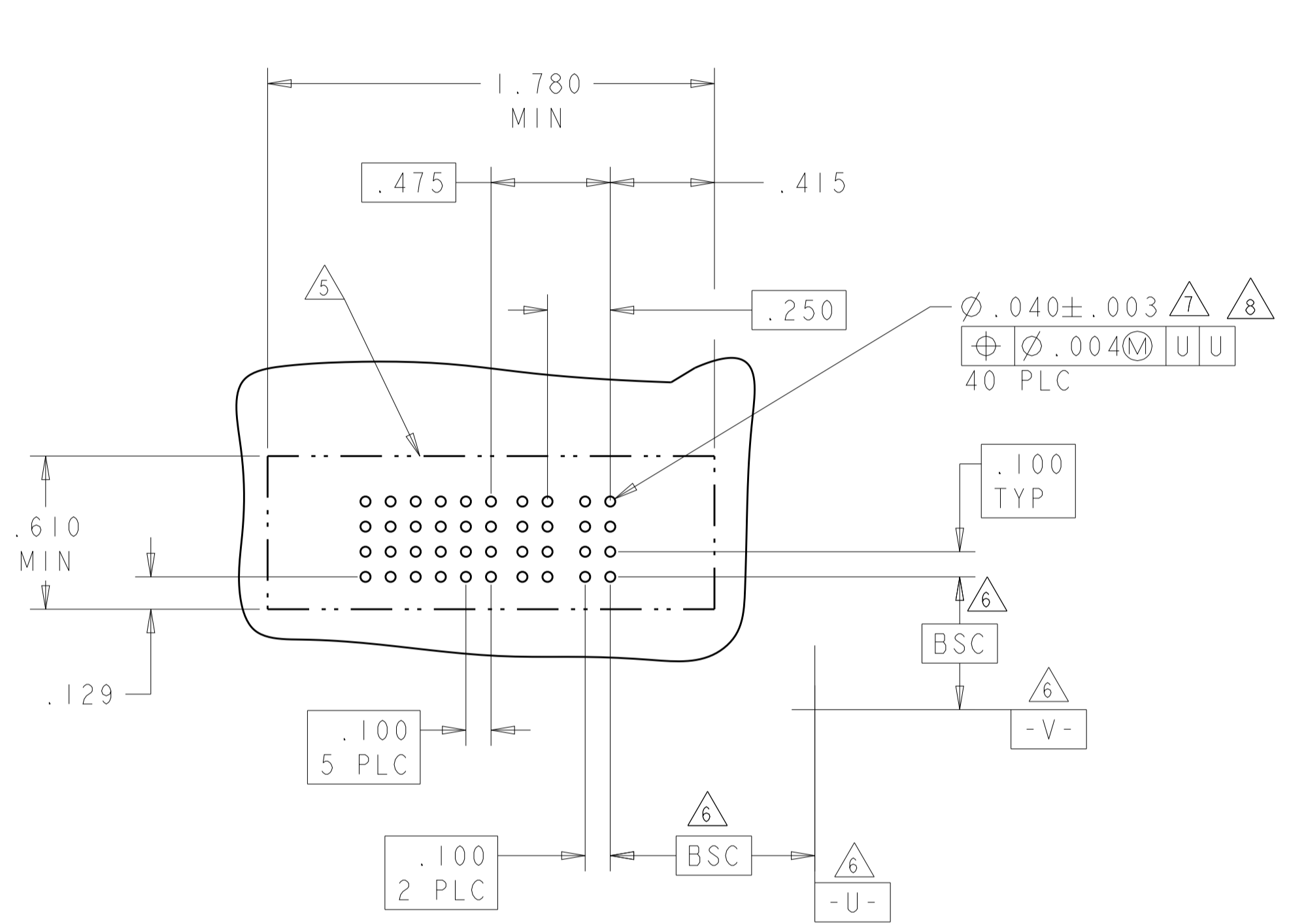
4805 (3/11)

LOC	DIST	REV	DATE	BY	APPV
ES	00				

REVISIONS		DATE	BY	APPV
1	SEE SHEET 1			

PART NUMBER	ROWS	SIGNAL						POWER	
		6	5	4	3	2	1	P2	P1
1-6450542-1	D	AP	AP	AP	AP	AP	AP	GP	GP
	C	AP	AP	AP	AP	AP	AP		
	B	AP	AP	AP	AP	AP	AP		
	A	AP	AP	AP	AP	AP	AP		
2P + 24S									

PART NUMBER	ROWS	SIGNAL						POWER																				
		6	5	4	3	2	1	P20	P19	P18	P17	P16	P15	P14	P13	P12	P11	P10	P9	P8	P7	P6	P5	P4	P3	P2	P1	
1-6450542-2	D	AP	AP	AP	AP	AP	AP	GP	GP	GP	GP	GP	GP	GP	GP	GP	GP	GP	GP	GP	GP	GP	GP	GP	GP	GP	GP	
	C	AP	AP	AP	AP	AP	AP																					
	B	AP	AP	AP	AP	AP	AP																					
	A	AP	AP	AP	AP	AP	AP																					
20P + 24S																												



PART NUMBER	ROWS	SIGNAL						POWER									
		6	5	4	3	2	1	P10	P9	P8	P7	P6	P5	P4	P3	P2	P1
1-6450542-5	D	AP	AP	AP	AP	AP	AP	GP	GP	GP	GP	GP	GP	GP	GP	GP	GP
	C	AP	AP	AP	AP	AP	AP										
	B	AP	AP	AP	AP	AP	AP										
	A	AP	AP	AP	AP	AP	AP										
10HDP + 24S																	

THIS DRAWING IS A CONTROLLED DOCUMENT.

OWN: R. GRZYBOWSKI 28FEB95
 CHK: M. PERCHERKE 28FEB05
 APVD: M. PERCHERKE

DIMENSIONS: INCHES
 TOLERANCES UNLESS OTHERWISE SPECIFIED:
 0 PLC ±.
 1 PLC ±.01
 2 PLC ±.01
 3 PLC ±.005
 4 PLC ±.002
 ANGLES ±.020

MATERIAL: .
 FINISH: .

NAME: VERTICAL RECEPTACLE ASSEMBLY WITH GUIDES MULTI-BEAM XL
 PRODUCT SPEC: 108-1973
 APPLICATION SPEC: 114-13038
 WEIGHT: .
 CUSTOMER DRAWING

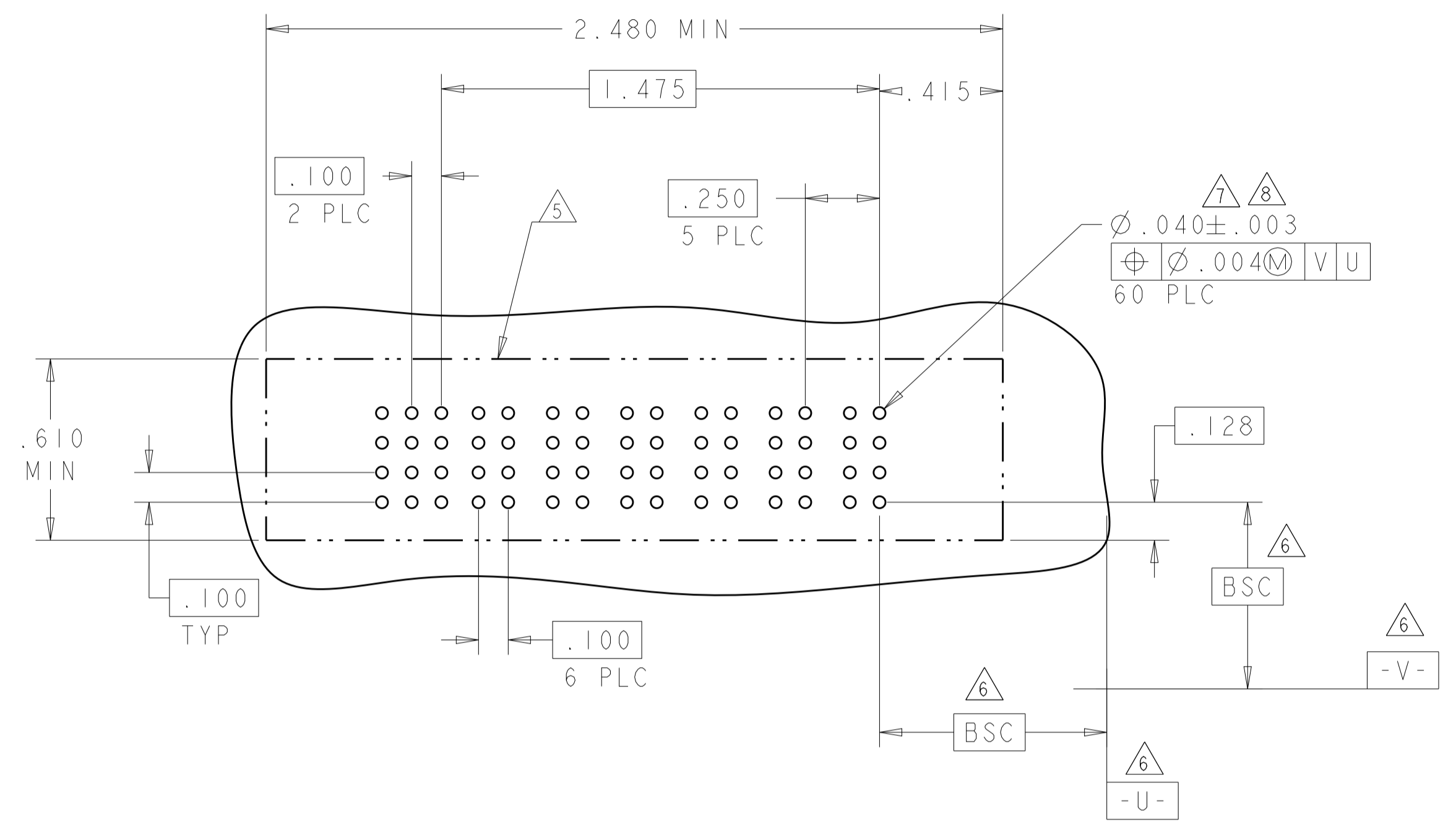
SIZE: A1
 CAGE CODE: 6450542
 SCALE: 4:1
 SHEET: 5 OF 10
 REV: H2

STE TE Connectivity

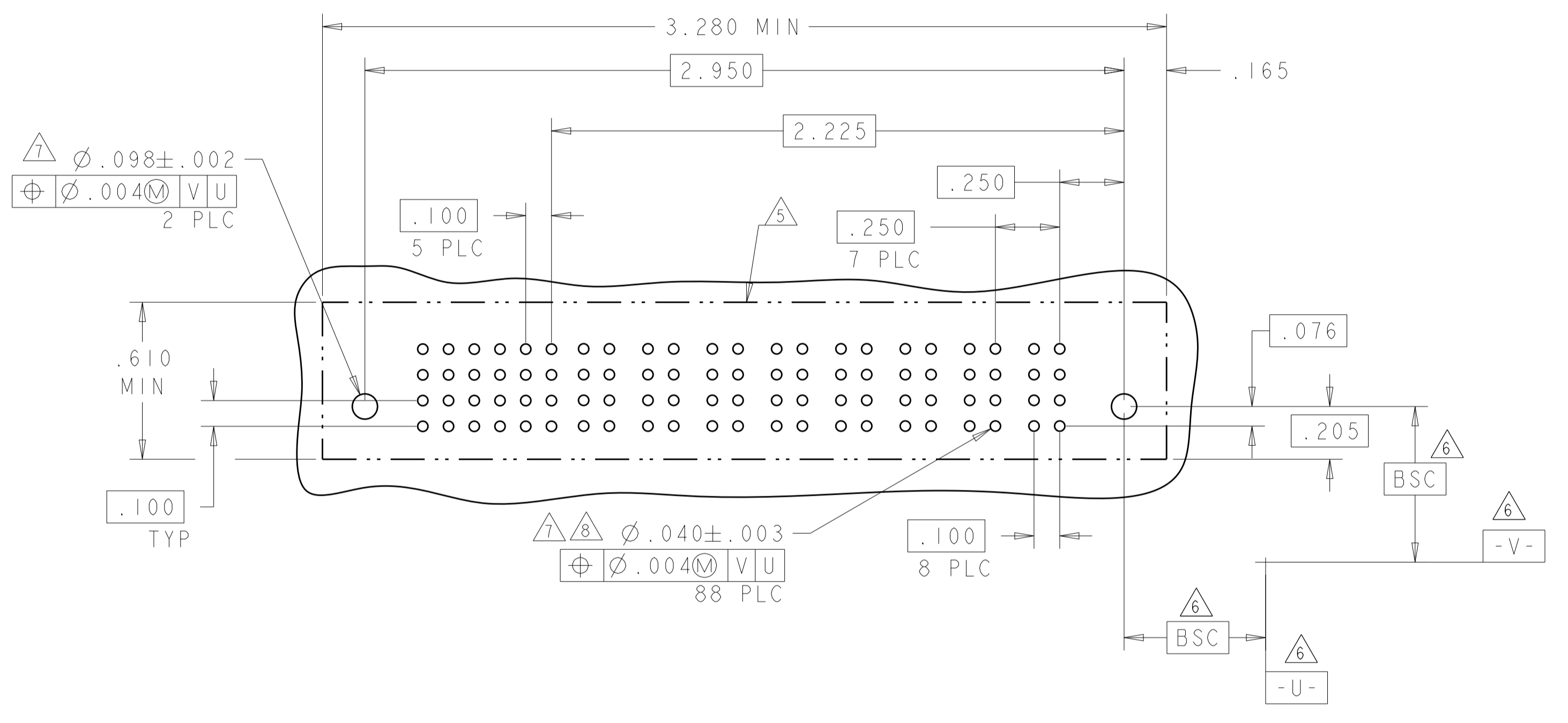
LOC	DIST	REV	DATE	BY	APPV
ES	00				

REVISIONS			
NO	DATE	DESCRIPTION	BY
-	-	SEE SHEET 1	-

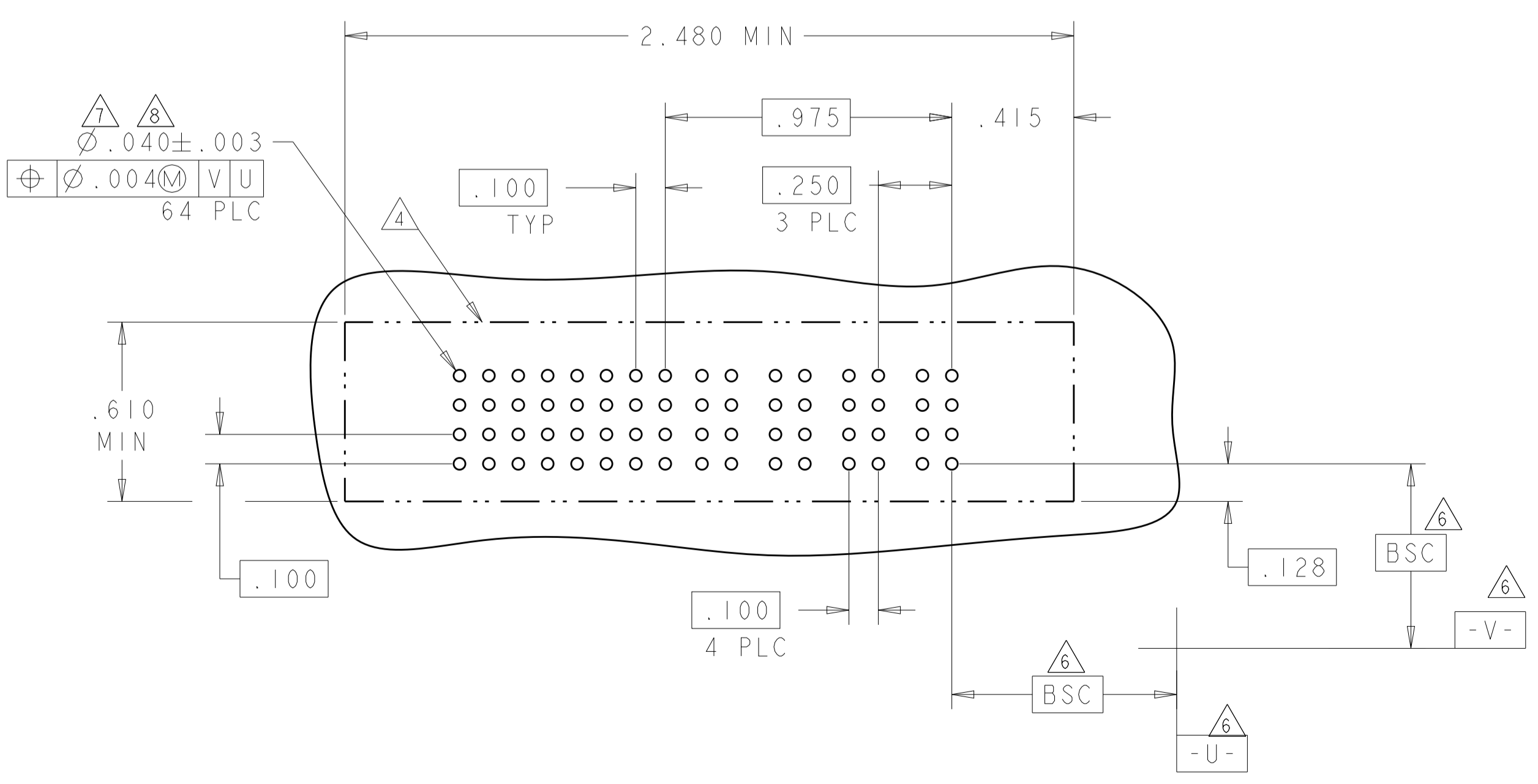
ASSY PART NUMBER	ROWS	SIGNAL					POWER				
		3	2	1	P6	P5	P4	P3	P2	P1	
1-6450542-6	D C B A	AP	AP	AP							
		AP	AP	AP	GS	GS	GS	GS	GS	GS	
		AP	AP	AP							
		AP	AP	AP							
6P + 12S											



PART NUMBER	ROWS	SIGNAL						POWER							
		6	5	4	3	2	1	P8	P7	P6	P5	P4	P3	P2	P1
1-6450542-8	D C B A	AP	AP	AP	AP	AP	AP								
		AP	AP	AP	AP	AP	AP	GP	GP	GP	GP	GP	GP	GP	GP
		AP	AP	AP	AP	AP	AP								
		AP	AP	AP	AP	AP	AP								
8P + 24S															



ASSY PART NUMBER	ROWS	SIGNAL								POWER			
		8	7	6	5	4	3	2	1	P4	P3	P2	P1
1-6450542-7	D C B A	AP	AP	AP	AP	AP	AP	AP	AP				
		AP	AP	AP	AP	AP	AP	AP	AP	GS	GS	GS	GS
		AP	AP	AP	AP	AP	AP	AP	AP				
		AP	AP	AP	AP	AP	AP	AP	AP				
4P + 32S													



THIS DRAWING IS A CONTROLLED DOCUMENT.

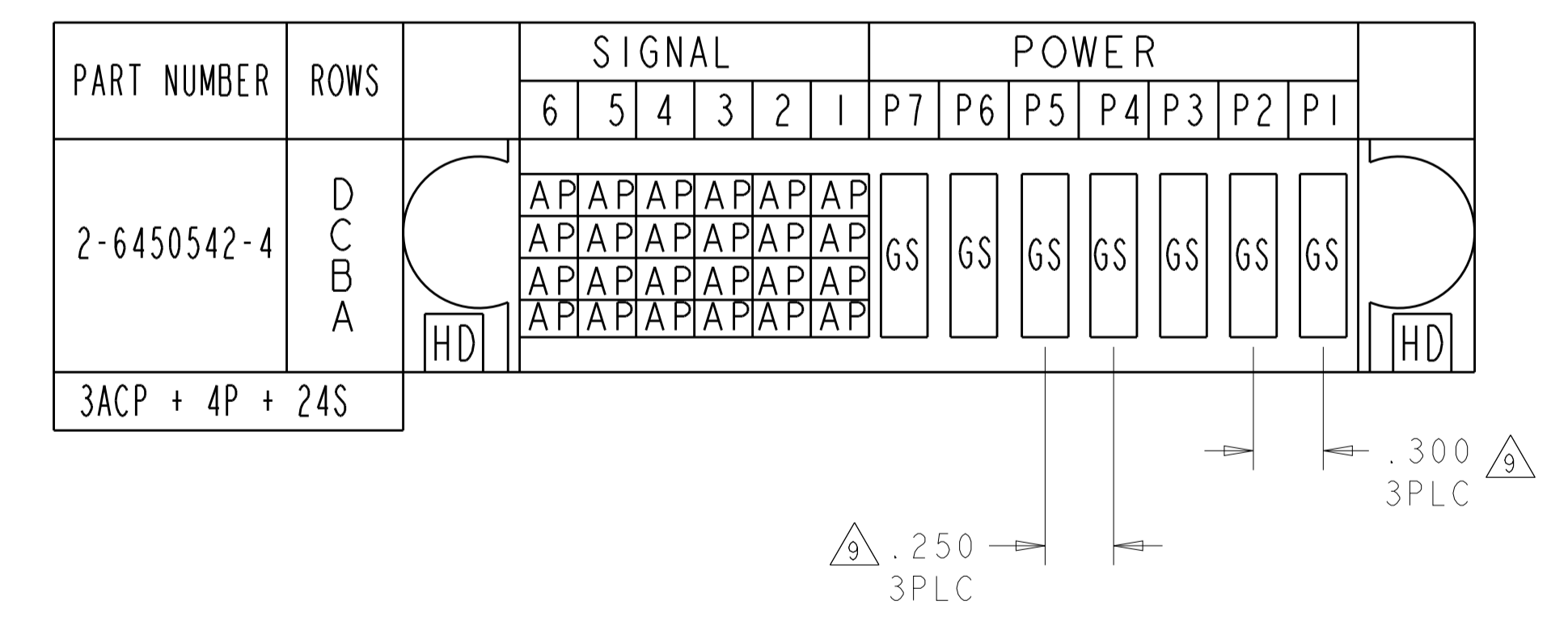
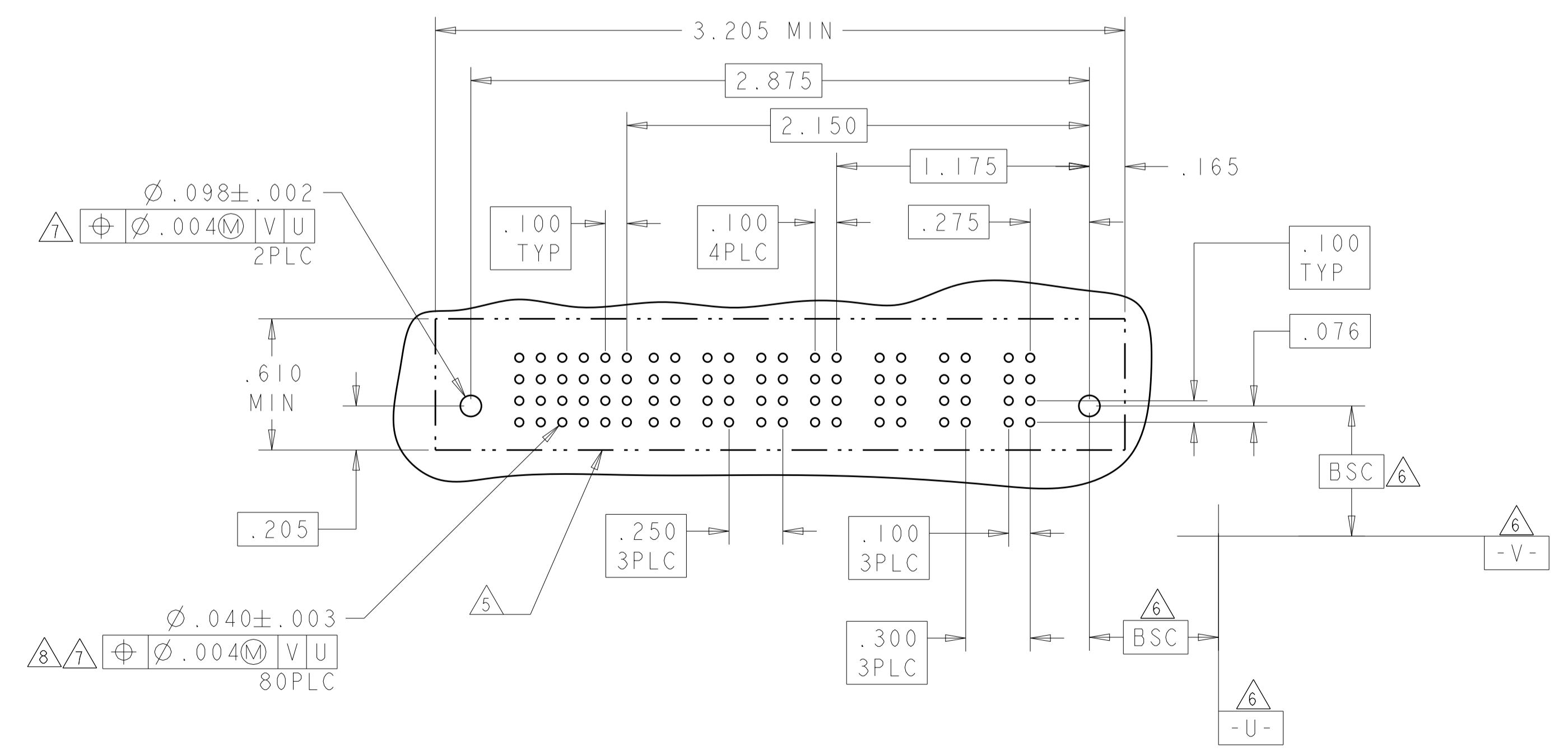
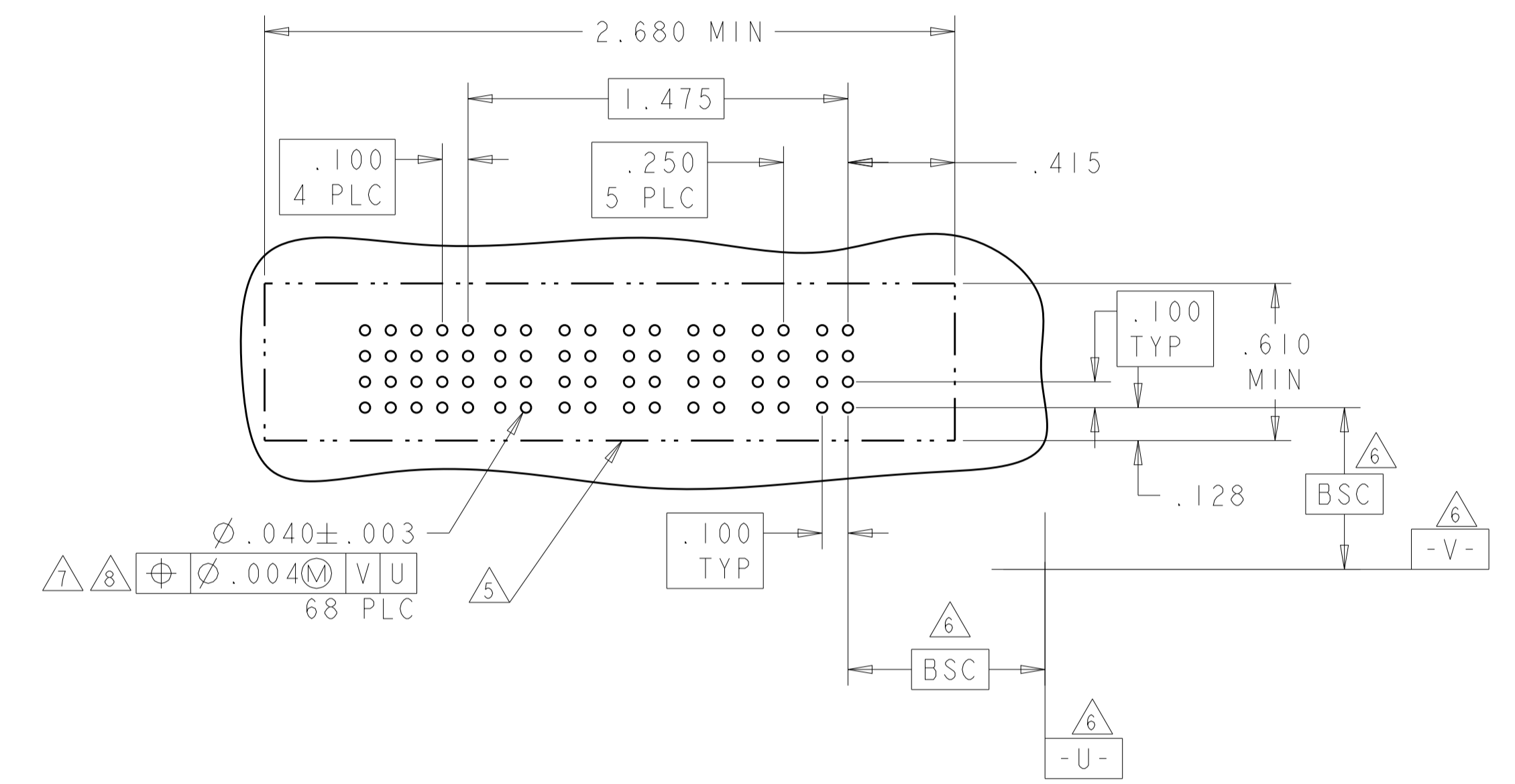
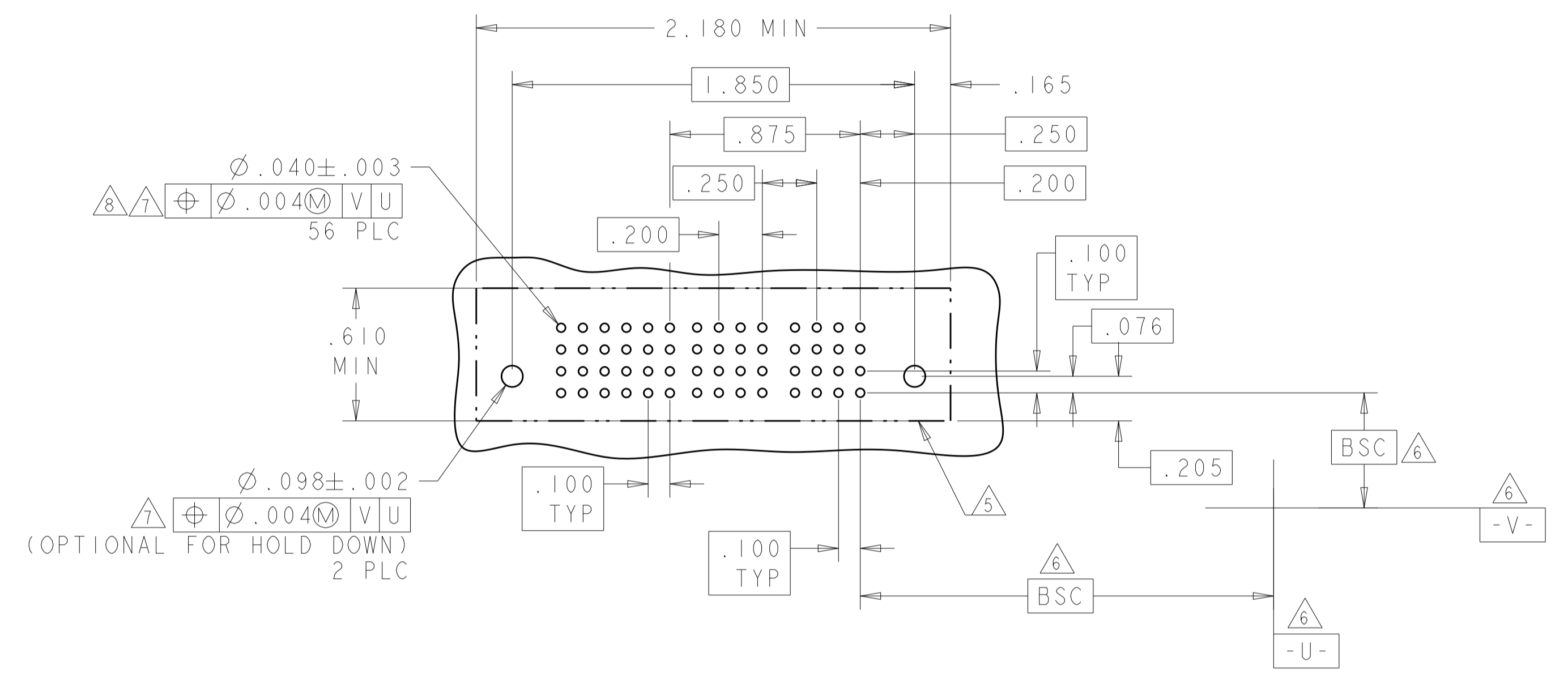
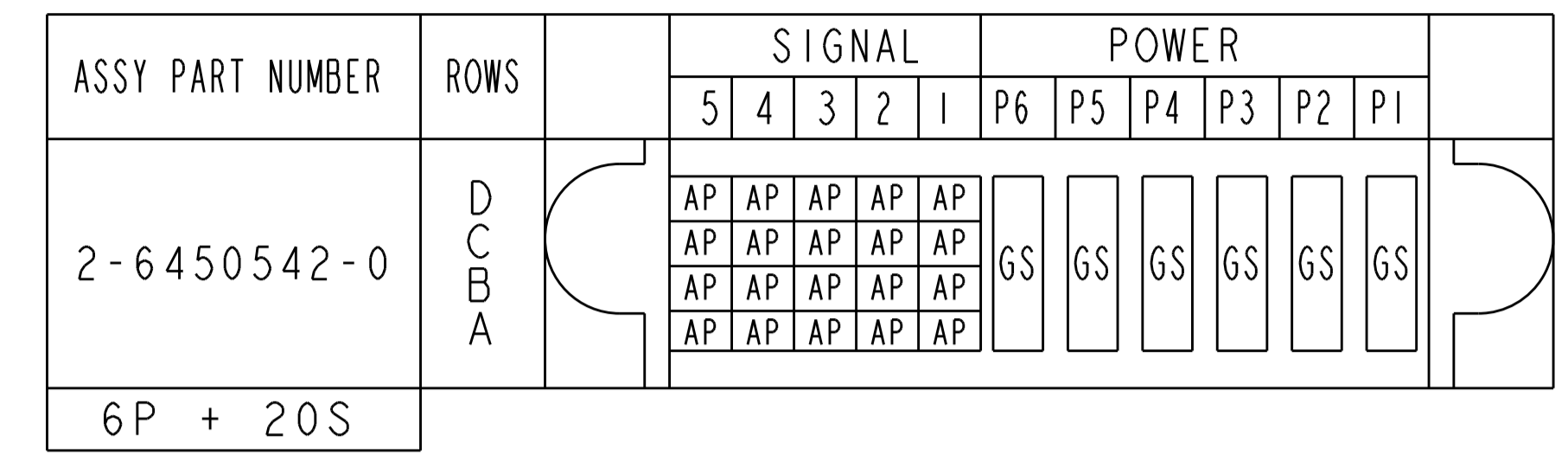
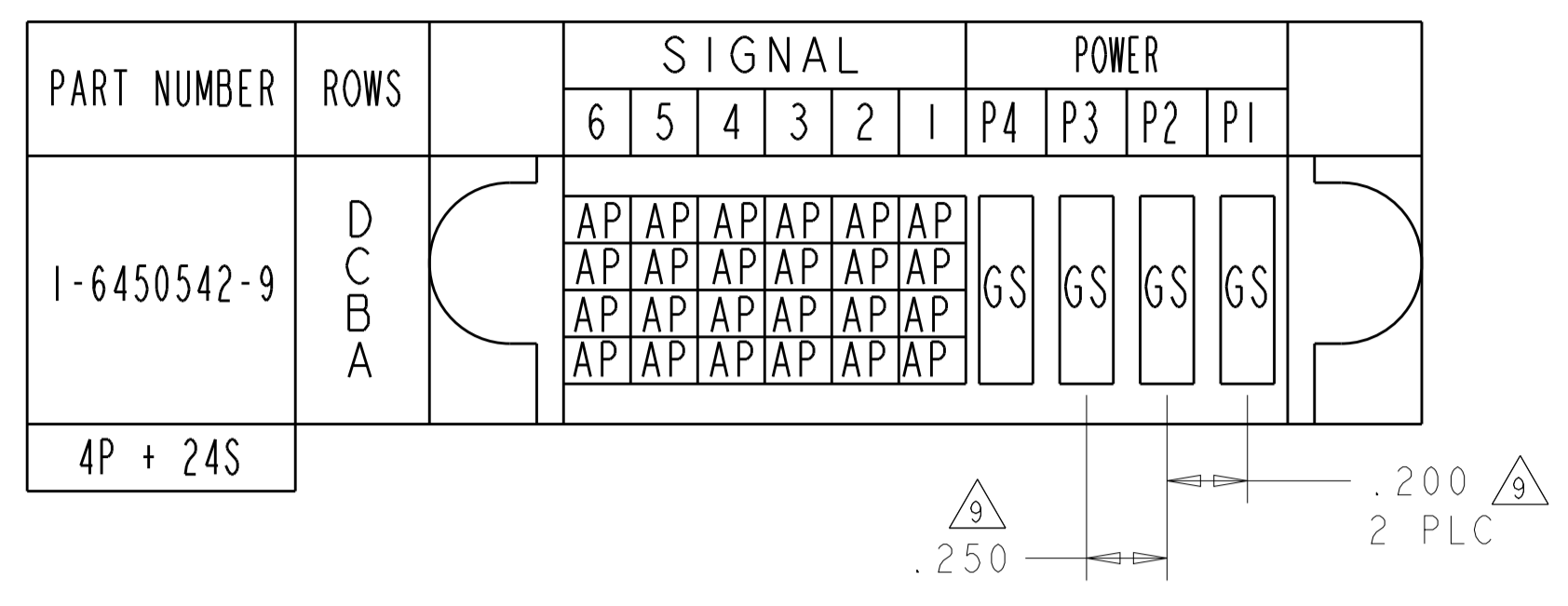
OWN: R. GRZYBOWSKI 28FEB95
 CHK: M. PERCHERKE 28FEB05
 APVD: M. PERCHERKE

TE Connectivity

VERTICAL RECEPTACLE ASSEMBLY WITH GUIDES MULTI-BEAM XL

SCALE: 4:1 SHEET 6 OF 10 REV: H2

4805 (3/11)



THIS DRAWING IS A CONTROLLED DOCUMENT.		OWN: R. GRZYBOWSKI 28FEB95	TE Connectivity NAME: VERTICAL RECEPTACLE ASSEMBLY WITH GUIDES MULTI-BEAM XL
DIMENSIONS: INCHES		CHK: M. PERCHERKE 28FEB05	
TOLERANCES UNLESS OTHERWISE SPECIFIED:		APVD: M. PERCHERKE	PRODUCT SPEC: 108-1973
0 PLC ±.01 1 PLC ±.01 2 PLC ±.01 3 PLC ±.005 4 PLC ±.002 ANGLES ±.020		APPLICATION SPEC: 114-13038	RESTRICTED TO: A100779
MATERIAL: -		WEIGHT: -	SCALE: 4:1 SHEET 7 OF 10 REV: H2
CUSTOMER DRAWING		DRAWING NO: 6450542	

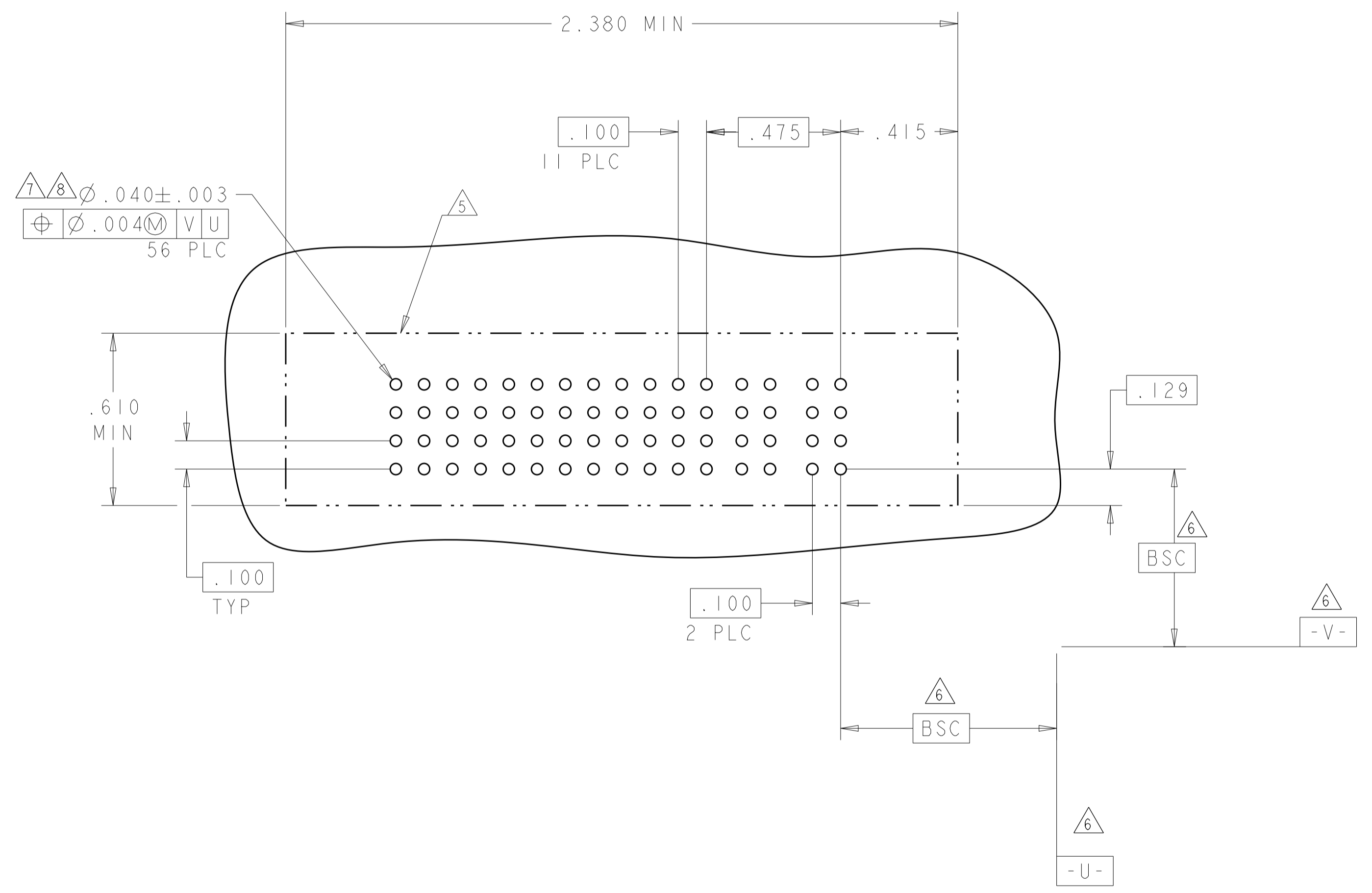
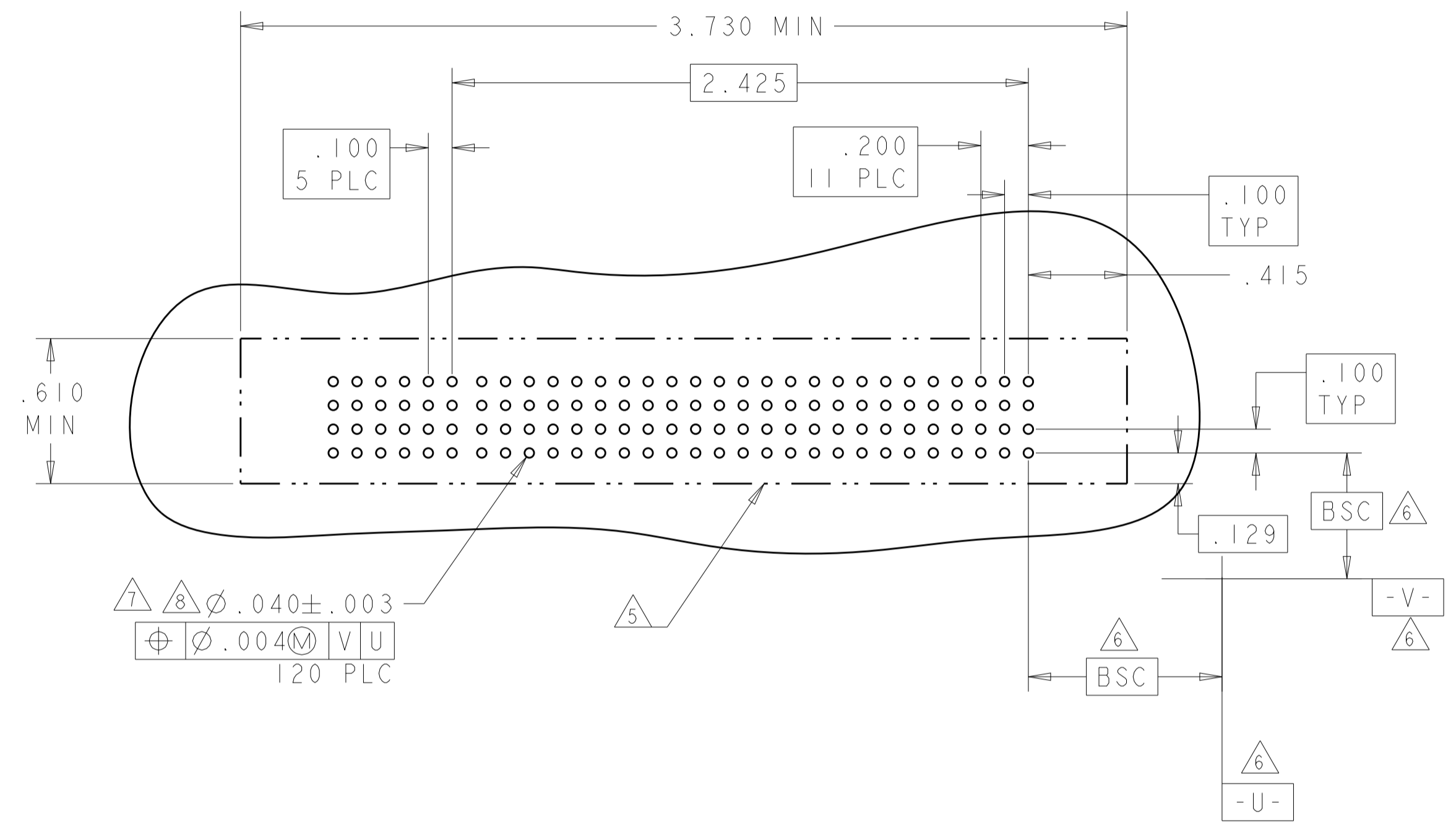
LOC	DIST	REVISIONS			
ES	00	REV	DATE	BY	APPV
		-	SEE SHEET 1	-	-

PART NUMBER	ROWS	SIGNAL						POWER										
		6	5	4	3	2	1	P12	P11	P10	P09	P08	P07	P06	P05	P04	P03	P02
2-6450542-5	D C B A	AP	AP	AP	AP	AP	AP	GS	GS	GS	GS	GS	GS	GS	GS	GS	GS	GS
		AP	AP	AP	AP	AP	AP	GS	GS	GS	GS	GS	GS	GS	GS	GS	GS	GS
		AP	AP	AP	AP	AP	AP	GS	GS	GS	GS	GS	GS	GS	GS	GS	GS	GS

12HDP + 24S

ASSY PART NUMBER	ROWS	SIGNAL												POWER			
		12	11	10	9	8	7	6	5	4	3	2	1	P2	P1		
1-6450542-4	D C B A	AP	AP	AP	AP	AP	AP	AP	AP	AP	AP	AP	AP	AP	AP	GS	GS
		AP	AP	AP	AP	AP	AP	AP	AP	AP	AP	AP	AP	AP	AP	GS	GS
		AP	AP	AP	AP	AP	AP	AP	AP	AP	AP	AP	AP	AP	AP	GS	GS

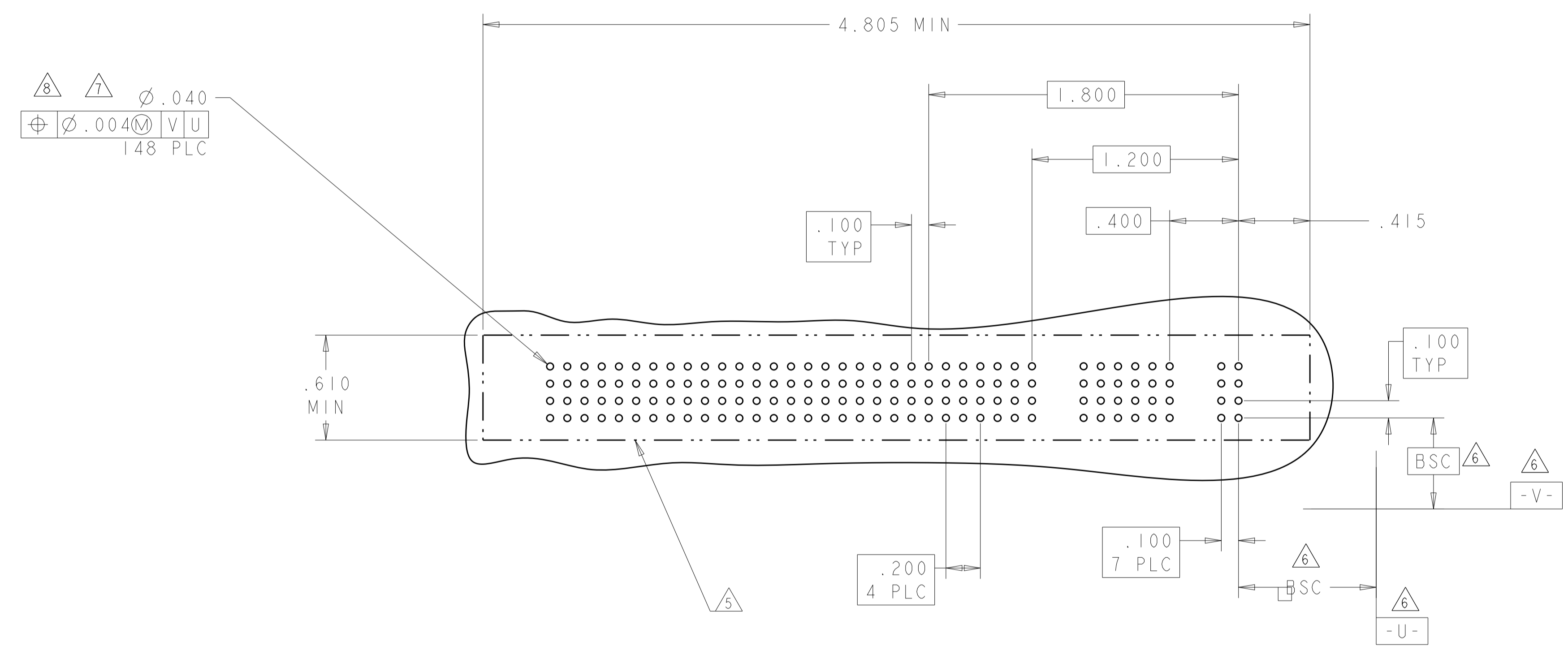
2P + 48S



THIS DRAWING IS A CONTROLLED DOCUMENT.		OWN: R. GRZYBOWSKI 28FEB95	 TE Connectivity
DIMENSIONS: INCHES		CHK: M. PERCHERKE 28FEB05	
TOLERANCES UNLESS OTHERWISE SPECIFIED:		APVD: M. PERCHERKE	NAME: VERTICAL RECEPTACLE ASSEMBLY WITH GUIDES MULTI-BEAM XL
0 PLC ±. 1 PLC ±.01 2 PLC ±.01 3 PLC ±.005 4 PLC ±.002 ANGLES ±.020		PRODUCT SPEC: 108-1973	SIZE: A100779
MATERIAL: FINISH:		APPLICATION SPEC: 114-13038	CAGE CODE: 6450542
		WEIGHT:	RESTRICTED TO: -
		CUSTOMER DRAWING	SCALE: 4:1 SHEET: 8 OF 10 REV: H2

LOC		DIST		REVISIONS				
ES		00		REV	DATE	BY	APPROV	
- SEE SHEET 1								

PART NUMBER	ROWS	SIGNAL																							POWER									
		23	22	21	20	19	18	17	16	15	14	13	12	11	10	9	8	7	6	5	4	3	2	1	P9	P8	P7	P6	P5	P4	P3	P2	P1	
2-6450542-7	D C B A	AP	AP	AP	AP	AP	AP	AP	AP	AP	AP	AP	AP	AP	AP	AP	AP	AP	AP					AP	AP	GS	GS	GS		GS	GS	GS		GP
		AP	AP	AP	AP	AP	AP	AP	AP	AP	AP	AP	AP	AP	AP	AP	AP	AP	AP					AP	AP									
		AP	AP	AP	AP	AP	AP	AP	AP	AP	AP	AP	AP	AP	AP	AP	AP	AP	AP					AP	AP									
		AP	AP	AP	AP	AP	AP	AP	AP	AP	AP	AP	AP	AP	AP	AP	AP	AP	AP					AP	AP									
9P + 92S																																		

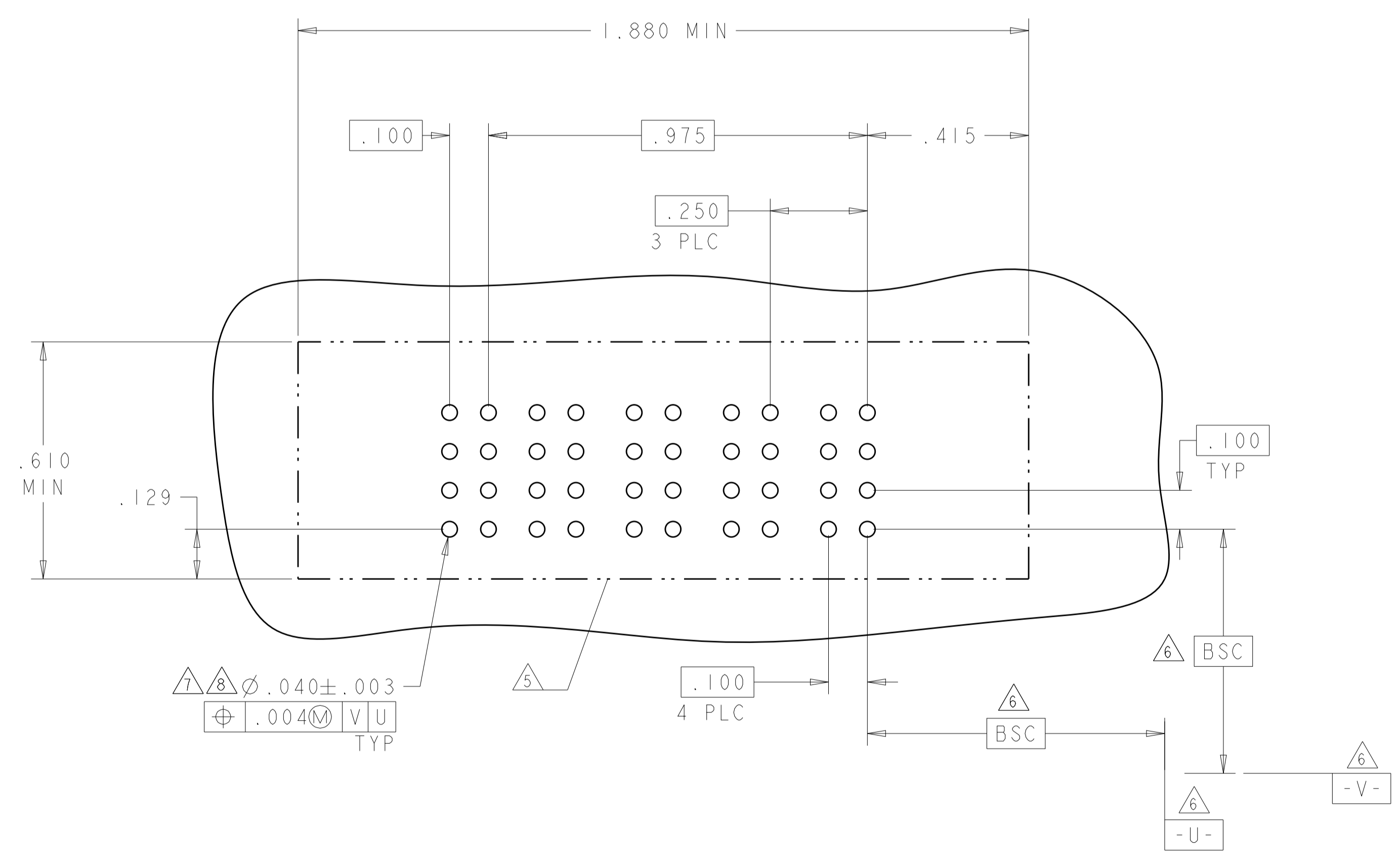


THIS DRAWING IS A CONTROLLED DOCUMENT. **TE** Connectivity

DWN: R.GRZYBOWSKI 28FEB95 CHK: M.PERCHEKKE 28FEB05		NAME: VERTICAL RECEPTACLE ASSEMBLY WITH GUIDES MULTI-BEAM XL	
DIMENSIONS: INCHES		PRODUCT SPEC: 108-1973	
TOLERANCES UNLESS OTHERWISE SPECIFIED:		APPLICATION SPEC: 114-13038	
0 PLC ±	1 PLC ±.01	SIZE: A100779C=6450542	
2 PLC ±.01	3 PLC ±.005	CAGE CODE: 6450542	
4 PLC ±.0020	ANGLES ±.2°	SHEET 9 OF 10	
MATERIAL: -		CUSTOMER DRAWING	
FINISH: -		SCALE: 4:1	

LOC		DIST		REVISIONS			
P	LTN	DESCRIPTION	DATE	DMN	APVD		
-	-	SEE SHEET 1	-	-	-		

PART NUMBER	ROWS	SIGNAL				POWER			
		2	1	P4	P3	P2	P1		
2-6450542-9	D C B A	AP	AP	GP	GP	GP	GP		
		AP	AP						
		AP	AP						
		AP	AP						
4P + 8S									



THIS DRAWING IS A CONTROLLED DOCUMENT.		DMN R. GRZYBOWSKI CHK M. PERCHERKE	28FEB95 28FEB05	STE TE Connectivity
DIMENSIONS: INCHES	TOLERANCES UNLESS OTHERWISE SPECIFIED:	APVD M. PERCHERKE	NAME VERTICAL RECEPTACLE ASSEMBLY WITH GUIDES MULTI-BEAM XL	
	0 PLC ± 1 PLC ±.01 2 PLC ±.01 3 PLC ±.005 4 PLC ±.0020 ANGLES ±.2°	PRODUCT SPEC 108-1973	APPLICATION SPEC 114-13038	SIZE A1
MATERIAL -	FINISH -	WEIGHT -	CAGE CODE A100779	DRAWING NO C=6450542
CUSTOMER DRAWING			SCALE 4:1	SHEET 10 OF 10

Компания «Океан Электроники» предлагает заключение долгосрочных отношений при поставках импортных электронных компонентов на взаимовыгодных условиях!

Наши преимущества:

- Поставка оригинальных импортных электронных компонентов напрямую с производств Америки, Европы и Азии, а так же с крупнейших складов мира;
- Широкая линейка поставок активных и пассивных импортных электронных компонентов (более 30 млн. наименований);
- Поставка сложных, дефицитных, либо снятых с производства позиций;
- Оперативные сроки поставки под заказ (от 5 рабочих дней);
- Экспресс доставка в любую точку России;
- Помощь Конструкторского Отдела и консультации квалифицированных инженеров;
- Техническая поддержка проекта, помощь в подборе аналогов, поставка прототипов;
- Поставка электронных компонентов под контролем ВП;
- Система менеджмента качества сертифицирована по Международному стандарту ISO 9001;
- При необходимости вся продукция военного и аэрокосмического назначения проходит испытания и сертификацию в лаборатории (по согласованию с заказчиком);
- Поставка специализированных компонентов военного и аэрокосмического уровня качества (Xilinx, Altera, Analog Devices, Intersil, Interpoint, Microsemi, Actel, Aeroflex, Peregrine, VPT, Syfer, Eurofarad, Texas Instruments, MS Kennedy, Miteq, Cobham, E2V, MA-COM, Hittite, Mini-Circuits, General Dynamics и др.);

Компания «Океан Электроники» является официальным дистрибьютором и эксклюзивным представителем в России одного из крупнейших производителей разъемов военного и аэрокосмического назначения «JONHON», а так же официальным дистрибьютором и эксклюзивным представителем в России производителя высокотехнологичных и надежных решений для передачи СВЧ сигналов «FORSTAR».



JONHON

«JONHON» (основан в 1970 г.)

Разъемы специального, военного и аэрокосмического назначения:

(Применяются в военной, авиационной, аэрокосмической, морской, железнодорожной, горно- и нефтедобывающей отраслях промышленности)

«FORSTAR» (основан в 1998 г.)

ВЧ соединители, коаксиальные кабели, кабельные сборки и микроволновые компоненты:

(Применяются в телекоммуникациях гражданского и специального назначения, в средствах связи, РЛС, а так же военной, авиационной и аэрокосмической отраслях промышленности).



Телефон: 8 (812) 309-75-97 (многоканальный)

Факс: 8 (812) 320-03-32

Электронная почта: ocean@oceanchips.ru

Web: <http://oceanchips.ru/>

Адрес: 198099, г. Санкт-Петербург, ул. Калинина, д. 2, корп. 4, лит. А