

## FEATURES

SC70 package  
 Very low  $I_B$ : 1 pA max  
 Single-supply operation: 5 V to 26 V  
 Dual-supply operation:  $\pm 2.5$  V to  $\pm 13$  V  
 Rail-to-rail output  
 Low supply current: 630  $\mu$ A/amp typ  
 Low offset voltage: 500  $\mu$ V max  
 Unity gain stable  
 No phase reversal

## APPLICATIONS

Photodiode amplifiers  
 ATEs  
 Line-powered/battery-powered instrumentation  
 Industrial controls  
 Automotive sensors  
 Precision filters  
 Audio

## PIN CONFIGURATIONS

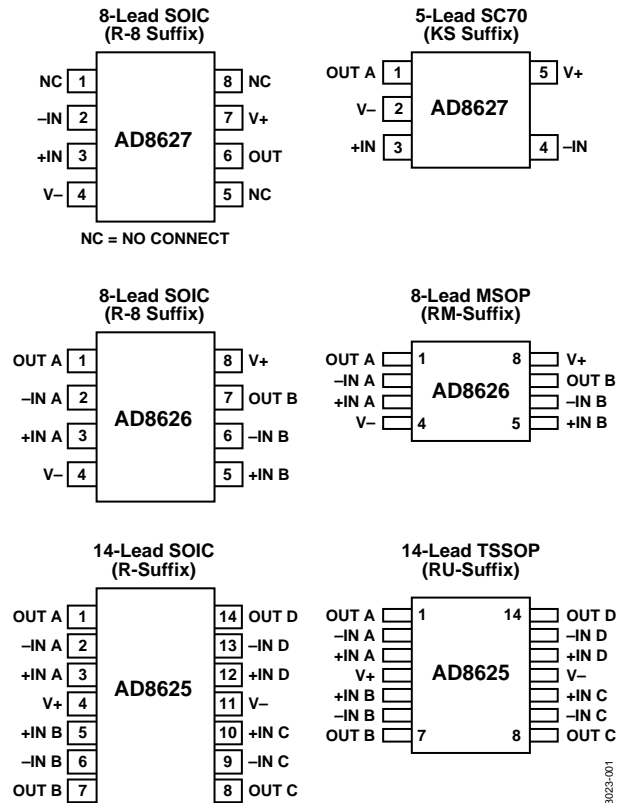


Figure 1.

## GENERAL DESCRIPTION

The AD862x is a precision JFET input amplifier. It features true single-supply operation, low power consumption, and rail-to-rail output. The outputs remain stable with capacitive loads of over 500 pF; the supply current is less than 630  $\mu$ A/amp. Applications for the AD862x include photodiode transimpedance amplification, ATE reference level drivers, battery management, both line powered and portable instrumentation, and remote sensor signal conditioning, which includes automotive sensors.

The AD862x's ability to swing nearly rail-to-rail at the input and rail-to-rail at the output enables it to be used to buffer CMOS DACs, ASICs, and other wide output swing devices in single-supply systems.

The 5 MHz bandwidth and low offset are ideal for precision filters. The AD862x is fully specified over the industrial temperature range. ( $-40^{\circ}\text{C}$  to  $+85^{\circ}\text{C}$ ). The AD8627 is available in both 5-lead SC70 and 8-lead SOIC surface-mount packages (SC70 packaged parts are available in tape and reel only). The AD8626 is available in MSOP and SOIC packages, while the AD8625 is available in TSSOP and SOIC packages.

Rev. F

[Document Feedback](#)

Information furnished by Analog Devices is believed to be accurate and reliable. However, no responsibility is assumed by Analog Devices for its use, nor for any infringements of patents or other rights of third parties that may result from its use. Specifications subject to change without notice. No license is granted by implication or otherwise under any patent or patent rights of Analog Devices. Trademarks and registered trademarks are the property of their respective owners.

## TABLE OF CONTENTS

|                                  |   |
|----------------------------------|---|
| Features .....                   | 1 |
| Applications.....                | 1 |
| Pin Configurations .....         | 1 |
| General Description .....        | 1 |
| Revision History .....           | 2 |
| Specifications.....              | 3 |
| Electrical Characteristics ..... | 3 |
| Absolute Maximum Ratings.....    | 5 |
| ESD Caution.....                 | 5 |

## REVISION HISTORY

### 5/13—Rev. E to Rev. F

|  |    |
|--|----|
| Changes to Applications Information Section..... | 13 |
| Changes to Ordering Guide .....                  | 20 |

### 12/10—Rev. D to Rev. E

|  |    |
|--|----|
| Removed Table Summary Conditions Above Table 3 ..... | 5  |
| Updated Outline Dimensions .....                     | 18 |

### 3/09—Rev. C to Rev. D

|                                  |    |
|----------------------------------|----|
| Updated Outline Dimensions ..... | 18 |
| Changes to Ordering Guide .....  | 19 |

### 11/04—Rev. B to Rev. C

|   |           |
|---|-----------|
| Updated Figure Codes .....              | Universal |
| Changes to Figure 17 and 18.....        | 8         |
| Changes to Figure 33 and Figure 37..... | 11        |
| Changes to Figure 38.....               | 12        |
| Changes to Figure 39 and Figure 40..... | 13        |
| Changes to Figure 41 to Figure 44.....  | 14        |

|  |    |
|--|----|
| Typical Performance Characteristics .....  | 6  |
| Applications Information .....             | 13 |
| Minimizing Input Current .....             | 15 |
| Photodiode Preamplifier Application.....   | 15 |
| Output Amplifier for DACs.....             | 16 |
| Eight-Pole Sallen Key Low-Pass Filter..... | 17 |
| Outline Dimensions .....                   | 18 |
| Ordering Guide .....                       | 20 |

### 1/04—Rev. A to Rev. B

|   |    |
|---|----|
| Change to General Description .....               | 1  |
| Change to Figure 10 .....                         | 7  |
| Change to Figure 13 .....                         | 7  |
| Change to Figure 37 .....                         | 11 |
| Changes to Figure 38.....                         | 12 |
| Change to Output Amplifier for DACs Section ..... | 15 |
| Updated Outline Dimensions.....                   | 19 |

### 10/03—Rev. 0 to Rev. A

|                                      |           |
|--------------------------------------|-----------|
| Addition of Two New Parts.....       | Universal |
| Change to General Description .....  | 1         |
| Changes to Pin Configurations .....  | 1         |
| Change to Specifications Table ..... | 3         |
| Changes to Figure 31.....            | 10        |
| Changes to Figure 32.....            | 11        |
| Changes to Figure 38.....            | 12        |
| Changes to Figure 46.....            | 16        |
| Changes to Figure 47.....            | 16        |
| Changes to Figure 49.....            | 17        |
| Updated Outline Dimensions.....      | 18        |
| Changes to Ordering Guide .....      | 19        |

## SPECIFICATIONS

### ELECTRICAL CHARACTERISTICS

@ $V_S = 5\text{ V}$ ,  $V_{CM} = 1.5\text{ V}$ ,  $T_A = 25^\circ\text{C}$ , unless otherwise noted.

Table 1.

| Parameter                    | Symbol                   | Conditions  | Min  | Typ      | Max   | Unit                   |
|------------------------------|--------------------------|---|------|----------|-------|------------------------|
| INPUT CHARACTERISTICS        |                          |   |      |          |       |                        |
| Offset Voltage               | $V_{OS}$                 | $-40^\circ\text{C} < T_A < +85^\circ\text{C}$                       |      | 0.05     | 0.5   | mV                     |
| Input Bias Current           | $I_B$                    | $-40^\circ\text{C} < T_A < +85^\circ\text{C}$                       |      | 0.25     | 1     | pA                     |
| Input Offset Current         | $I_{OS}$                 | $-40^\circ\text{C} < T_A < +85^\circ\text{C}$                       |      |          | 60    | pA                     |
| Input Voltage Range          |                          | $-40^\circ\text{C} < T_A < +85^\circ\text{C}$                       |      |          | 0.5   | pA                     |
| Common-Mode Rejection Ratio  | CMRR                     | $V_{CM} = 0\text{ V to } 2.5\text{ V}$                              | 0    |          | 3     | V                      |
| Large Signal Voltage Gain    | $A_{VO}$                 | $R_L = 10\text{ k}\Omega$ , $V_O = 0.5\text{ V to } 4.5\text{ V}$   | 66   | 87       |       | dB                     |
| Offset Voltage Drift         | $\Delta V_{OS}/\Delta T$ | $-40^\circ\text{C} < T_A < +85^\circ\text{C}$                       | 100  | 230      |       | V/mV                   |
| OUTPUT CHARACTERISTICS       |                          |   |      |          |       |                        |
| Output Voltage High          | $V_{OH}$                 | $I_L = 2\text{ mA}$ , $-40^\circ\text{C} < T_A < +85^\circ\text{C}$ | 4.92 |          |       | V                      |
| Output Voltage Low           | $V_{OL}$                 | $I_L = 2\text{ mA}$ , $-40^\circ\text{C} < T_A < +85^\circ\text{C}$ | 4.90 |          | 0.075 | V                      |
| Output Current               | $I_{OUT}$                |   |      | $\pm 10$ | 0.08  | V                      |
| POWER SUPPLY                 |                          |   |      |          |       |                        |
| Power-Supply Rejection Ratio | PSRR                     | $V_S = 5\text{ V to } 26\text{ V}$                                  | 80   | 104      |       | dB                     |
| Supply Current/Amplifier     | $I_{SY}$                 | $-40^\circ\text{C} < T_A < +85^\circ\text{C}$                       |      | 630      | 785   | $\mu\text{A}$          |
| DYNAMIC PERFORMANCE          |                          |   |      |          |       |                        |
| Slew Rate                    | SR                       |   |      | 5        |       | V/ $\mu\text{s}$       |
| Gain Bandwidth Product       | GBP                      |   |      | 5        |       | MHz                    |
| Phase Margin                 | $\phi_M$                 |   |      | 60       |       | Degrees                |
| NOISE PERFORMANCE            |                          |   |      |          |       |                        |
| Voltage Noise                | $e_n$ p-p                | 0.1 Hz to 10 Hz   |      | 1.9      |       | $\mu\text{V p-p}$      |
| Voltage Noise Density        | $e_n$                    | $f = 1\text{ kHz}$  |      | 17.5     |       | nV/ $\sqrt{\text{Hz}}$ |
| Current Noise Density        | $i_n$                    | $f = 1\text{ kHz}$  |      | 0.4      |       | fA/ $\sqrt{\text{Hz}}$ |
| Channel Separation           | $C_s$                    | $f = 1\text{ kHz}$  |      | 104      |       | dB                     |

@ $V_S = \pm 13$  V;  $V_{CM} = 0$  V;  $T_A = 25^\circ\text{C}$ , unless otherwise noted.

Table 2.

| Parameter                    | Symbol                   | Conditions  | Min    | Typ      | Max    | Unit                         |
|------------------------------|--------------------------|---|--------|----------|--------|------------------------------|
| INPUT CHARACTERISTICS        |                          |   |        |          |        |                              |
| Offset Voltage               | $V_{OS}$                 | $-40^\circ\text{C} < T_A < +85^\circ\text{C}$               |        | 0.35     | 0.75   | mV                           |
| Input Bias Current           | $I_B$                    | $-40^\circ\text{C} < T_A < +85^\circ\text{C}$               |        | 0.25     | 1      | pA                           |
| Input Offset Current         | $I_{OS}$                 | $-40^\circ\text{C} < T_A < +85^\circ\text{C}$               |        |          | 60     | pA                           |
| Input Voltage Range          |                          | $-40^\circ\text{C} < T_A < +85^\circ\text{C}$               | -13    |          | 25     | V                            |
| Common-Mode Rejection Ratio  | CMRR                     | $V_{CM} = -13$ V to +10 V                                   | 76     | 105      |        | dB                           |
| Large Signal Voltage Gain    | $A_{VO}$                 | $R_L = 10$ k $\Omega$ , $V_O = -11$ V to +11 V              | 150    | 310      |        | V/mV                         |
| Offset Voltage Drift         | $\Delta V_{OS}/\Delta T$ | $-40^\circ\text{C} < T_A < +85^\circ\text{C}$               |        | 2.5      |        | $\mu\text{V}/^\circ\text{C}$ |
| OUTPUT CHARACTERISTICS       |                          |   |        |          |        |                              |
| Output Voltage High          | $V_{OH}$                 | $I_L = 2$ mA, $-40^\circ\text{C} < T_A < +85^\circ\text{C}$ | +12.92 |          |        | V                            |
| Output Voltage Low           | $V_{OL}$                 | $I_L = 2$ mA, $-40^\circ\text{C} < T_A < +85^\circ\text{C}$ | +12.91 |          | -12.92 | V                            |
| Output Current               | $I_{OUT}$                |   |        | $\pm 15$ | -12.91 | mA                           |
| POWER SUPPLY                 |                          |   |        |          |        |                              |
| Power-Supply Rejection Ratio | PSRR                     | $V_S = \pm 2.5$ V to $\pm 13$ V                             | 80     | 104      |        | dB                           |
| Supply Current/Amplifier     | $I_{SY}$                 | $-40^\circ\text{C} < T_A < +85^\circ\text{C}$               |        | 710      | 850    | $\mu\text{A}$                |
|                              |                          |   |        |          | 900    | $\mu\text{A}$                |
| DYNAMIC PERFORMANCE          |                          |   |        |          |        |                              |
| Slew Rate                    | SR                       |   |        | 5        |        | V/ $\mu\text{s}$             |
| Gain Bandwidth Product       | GBP                      |   |        | 5        |        | MHz                          |
| Phase Margin                 | $\phi_M$                 |   |        | 60       |        | Degrees                      |
| NOISE PERFORMANCE            |                          |   |        |          |        |                              |
| Voltage Noise                | $e_n$ p-p                | 0.1 Hz to 10 Hz   |        | 2.5      |        | $\mu\text{V}$ p-p            |
| Voltage Noise Density        | $e_n$                    | $f = 1$ kHz   |        | 16       |        | nV/ $\sqrt{\text{Hz}}$       |
| Current Noise Density        | $i_n$                    | $f = 1$ kHz   |        | 0.5      |        | fA/ $\sqrt{\text{Hz}}$       |
| Channel Separation           | $C_s$                    | $f = 1$ kHz   |        | 105      |        | dB                           |

## ABSOLUTE MAXIMUM RATINGS

Table 3.

| Parameter                                  | Ratings   |
|--|---|
| Supply Voltage                             | 27 V  |
| Input Voltage                              | $V_{S-}$ to $V_{S+}$                            |
| Differential Input Voltage                 | $\pm$ Supply Voltage                            |
| Output Short-Circuit Duration              | Indefinite                                      |
| Storage Temperature Range, R Package       | $-65^{\circ}\text{C}$ to $+125^{\circ}\text{C}$ |
| Operating Temperature Range                | $-40^{\circ}\text{C}$ to $+85^{\circ}\text{C}$  |
| Junction Temperature Range, R Package      | $-65^{\circ}\text{C}$ to $+150^{\circ}\text{C}$ |
| Lead Temperature Range (Soldering, 60 sec) | $300^{\circ}\text{C}$                           |

Stresses above those listed under Absolute Maximum Ratings may cause permanent damage to the device. This is a stress rating only; functional operation of the device at these or any other conditions above those indicated in the operational section of this specification is not implied. Exposure to absolute maximum rating conditions for extended periods may affect device reliability.

$\theta_{JA}$  is specified for worst-case conditions when devices are soldered in circuit boards for surface-mount packages.

Table 4.

| Package Type       | $\theta_{JA}$ | $\theta_{JC}$ | Unit                        |
|--------------------|---------------|---------------|-----------------------------|
| 5-Lead SC70 (KS)   | 376           | 126           | $^{\circ}\text{C}/\text{W}$ |
| 8-Lead MSOP (RM)   | 210           | 45            | $^{\circ}\text{C}/\text{W}$ |
| 8-Lead SOIC (R)    | 158           | 43            | $^{\circ}\text{C}/\text{W}$ |
| 14-Lead SOIC (R)   | 120           | 36            | $^{\circ}\text{C}/\text{W}$ |
| 14-Lead TSSOP (RU) | 180           | 35            | $^{\circ}\text{C}/\text{W}$ |

### ESD CAUTION



#### ESD (electrostatic discharge) sensitive device.

Charged devices and circuit boards can discharge without detection. Although this product features patented or proprietary protection circuitry, damage may occur on devices subjected to high energy ESD. Therefore, proper ESD precautions should be taken to avoid performance degradation or loss of functionality.

TYPICAL PERFORMANCE CHARACTERISTICS



Figure 2. Input Offset Voltage



Figure 5. Offset Voltage Drift



Figure 3. Offset Voltage Drift



Figure 6. Input Bias Current vs.  $V_{CM}$



Figure 4. Input Offset Voltage



Figure 7. Input Bias Current vs.  $V_{CM}$



Figure 8. Input Bias Current vs. Temperature



Figure 11. Input Offset Voltage vs.  $V_{CM}$



Figure 9. Input Bias Current vs.  $V_{CM}$



Figure 12. Open-Loop Gain vs. Load Resistance



Figure 10. Input Offset Voltage vs.  $V_{CM}$



Figure 13. Open-Loop Gain vs. Temperature



Figure 14. Input Error Voltage vs. Output Voltage for Resistive Loads



Figure 17. Output Saturation Voltage vs. Load Current



Figure 15. Input Error Voltage vs. Output Voltage within 300 mV of Supply Rails



Figure 18. Output Saturation Voltage vs. Load Current



Figure 16. Quiescent Current vs. Supply Voltage at Different Temperatures



Figure 19. Open-Loop Gain and Phase Margin vs. Frequency





Figure 20. Open-Loop Gain and Phase Margin vs. Frequency



Figure 23. CMRR vs. Frequency



Figure 21. Closed-Loop Gain vs. Frequency



Figure 24. CMRR vs. Frequency



Figure 22. Closed-Loop Gain vs. Frequency



Figure 25. PSRR vs. Frequency



Figure 26. PSRR vs. Frequency



Figure 29. No Phase Reversal



Figure 27. Output Impedance vs. Frequency



Figure 30. Output Swing and Error vs. Settling Time



Figure 28. Output Impedance vs. Frequency



Figure 31. Small-Signal Overshoot vs. Load Capacitance



Figure 32. Small-Signal Overshoot vs. Load Capacitance

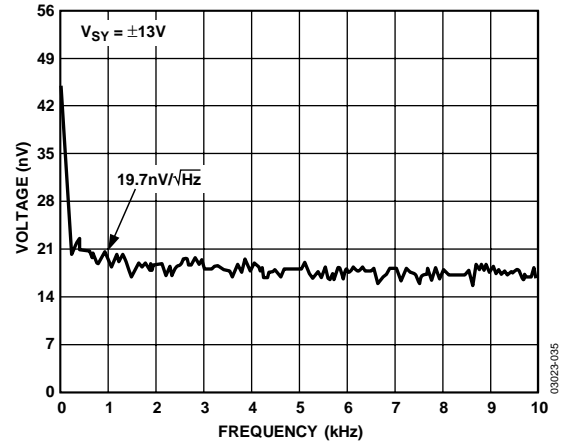


Figure 35. Voltage Noise Density



Figure 33. 0.1 Hz to 10 Hz Noise



Figure 36. Voltage Noise Density



Figure 34. 0.1 Hz to 10 Hz Noise



Figure 37. Total Harmonic Distortion + Noise vs. Frequency



Figure 38. Channel Separation

## APPLICATIONS INFORMATION

The AD862x is one of the smallest and most economical JFETs offered. It has true single-supply capability and has an input voltage range that extends below the negative rail, allowing the part to accommodate input signals below ground. The rail-to-rail output of the AD862x provides the maximum dynamic range in many applications. To provide a low offset, low noise, high impedance input stage, the AD862x uses n-channel JFETs. The input common-mode voltage extends from 0.2 V below  $-V_S$  to 2 V below  $+V_S$ . Driving the input of the amplifier, configured in the unity gain buffer, closer than 2 V to the positive rail causes an increase in common-mode voltage error, as illustrated in Figure 15, and a loss of amplifier bandwidth. This loss of bandwidth causes the rounding of the output waveforms shown in Figure 39 and Figure 40, which have inputs that are 1 V and 0 V from  $+V_S$ , respectively.

The AD862x does not experience phase reversal with input signals close to the positive rail, as shown in Figure 29. For input voltages greater than  $+V_{SY}$ , a resistor in series with the AD862x's noninverting input prevents phase reversal at the expense of greater input voltage noise. This current-limiting resistor should also be used if there is a possibility of the input voltage exceeding the positive supply by more than 300 mV, or if an input voltage is applied to the AD862x when  $\pm V_{SY} = 0$ . Either of these conditions damages the amplifier if the condition exists for more than 10 seconds. A 10 k $\Omega$  resistor allows the amplifier to withstand up to 10 V of continuous overvoltage, while increasing the input voltage noise by a negligible amount.



Figure 39. Unity Gain Follower Response to 0 V to 4 V Step



Figure 40. Unity Gain Follower Response to 0 V to 5 V Step

The AD862x can safely withstand input voltages 15 V below  $V_{SY}$  if the total voltage between the positive supply and the input terminal is less than 26 V. Figure 41 through Figure 43 show the AD862x in different configurations accommodating signals close to the negative rail. The amplifier input stage typically maintains picoamp-level input currents across that input voltage range.



Figure 41. Gain-of-Two Inverter Response to 2.5 V Step, Centered 1.25 V below Ground



Figure 42. Unity Gain Follower Response to 40 mV Step, Centered 40 mV above Ground

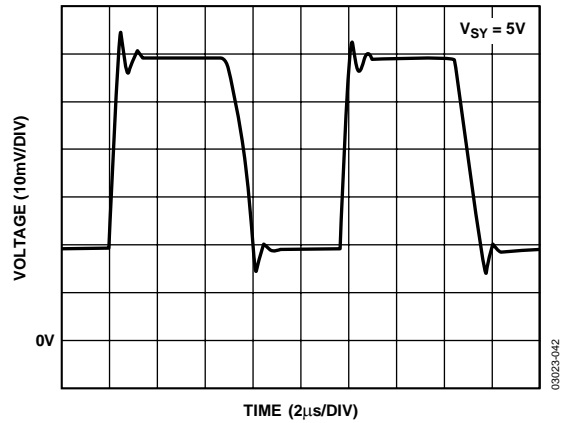


Figure 43. Gain-of-Two Inverter Response to 20 mV Step, Centered 20 mV below Ground

The AD862x is designed for  $16 \text{ nV}/\sqrt{\text{Hz}}$  wideband input voltage noise and maintains low noise performance to low frequencies, as shown in Figure 35. This noise performance, along with the AD862x's low input current and current noise, means that the AD862x contributes negligible noise for applications with large source resistances.

The AD862x has a unique bipolar rail-to-rail output stage that swings within 5 mV of the rail when up to 2 mA of current is drawn. At larger loads, the drop-out voltage increases, as shown in Figure 17 and Figure 18. The AD862x's wide bandwidth and fast slew rate allows it to be used with faster signals than older single-supply JFETs. Figure 44 shows the response of the AD862x, configured in unity gain, to a  $V_{IN}$  of 20 V p-p at 50 kHz. The full-power bandwidth (FPBW) of the part is close to 100 kHz.



Figure 44. Unity Gain Follower Response to 20 V, 50 kHz Input Signal

## MINIMIZING INPUT CURRENT

The AD862x is guaranteed to 1 pA maximum input current with a  $\pm 13$  V supply voltage at room temperature. Careful attention to how the amplifier is used maintains or possibly better this performance. The amplifier's operating temperature should be kept as low as possible. Like other JFET input amplifiers, the AD862x's input current doubles for every  $10^\circ\text{C}$  rise in junction temperature, as illustrated in Figure 8. On-chip power dissipation raises the device operating temperature, causing an increase in input current. Reducing supply voltage to cut power dissipation reduces the AD862x's input current. Heavy output loads can also increase chip temperature; maintaining a minimum load resistance of 1 k $\Omega$  is recommended.

The AD862x is designed for mounting on PC boards. Maintaining picoampere resolution in those environments requires a lot of care. Both the board and the amplifier's package have finite resistance. Voltage differences between the input pins and other pins, as well as PC board metal traces may cause parasitic currents larger than the AD862x's input current, unless special precautions are taken. To ensure the best result, refer to the ADI website for proper board layout seminar materials. Two common methods of minimizing parasitic leakages that should be used are guarding of the input lines and maintaining adequate insulation resistance.

Contaminants, such as solder flux on the board's surface and the amplifier's package, can greatly reduce the insulation resistance between the input pin and traces with supply or signal voltages. Both the package and the board must be kept clean and dry.

## PHOTODIODE PREAMPLIFIER APPLICATION

The low input current and offset voltage levels of the AD862x, together with its low voltage noise, make this amplifier an excellent choice for preamplifiers used in sensitive photodiode applications. In a typical photovoltaic preamp circuit, shown in Figure 45, the output of the amplifier is equal to

$$V_{OUT} = -ID(R_f) = -R_p(P)R_f$$

where:

$ID$  = photodiode signal current (A).

$R_p$  = photodiode sensitivity (A/W).

$R_f$  = value of the feedback resistor, in  $\Omega$ .

$P$  = light power incident to photodiode surface, in W.

The amplifier's input current,  $I_B$ , contributes an output voltage error proportional to the value of the feedback resistor. The offset voltage error,  $V_{OS}$ , causes a small current error due to the photodiode's finite shunt resistance,  $R_D$ .

The resulting output voltage error,  $V_E$ , is equal to

$$V_E = \left(1 + \frac{R_f}{R_D}\right)V_{OS} + R_f(I_B)$$

A shunt resistance on the order of 100 M $\Omega$  is typical for a small photodiode. Resistance  $R_D$  is a junction resistance that typically drops by a factor of two for every  $10^\circ\text{C}$  rise in temperature. In the AD862x, both the offset voltage and drift are low, which helps minimize these errors. With  $I_B$  values of 1 pA and  $V_{OS}$  of 50 mV,  $V_E$  for Figure 45 is very negligible. Also, the circuit in Figure 45 results in an SNR value of 95 dB for a signal bandwidth of 30 kHz.



Figure 45. A Photodiode Model Showing DC Error

**OUTPUT AMPLIFIER FOR DACs**

Many system designers use amplifiers as buffers on the output of amplifiers to increase the DAC's output driving capability. The high resolution current output DACs need high precision amplifiers on their output as current-to-voltage converters (I/V). Additionally, many DACs operate with a single supply of 5 V. In a single-supply application, selection of a suitable op amp may be more difficult because the output swing of the amplifier does not usually include the negative rail, in this case AGND. This can result in some degradation of the DAC's specified performance, unless the application does not use codes near zero. The selected op amp needs to have very low offset voltage—for a 14-bit DAC, the DAC LSB is 300  $\mu$ V with a 5 V reference—to eliminate the need for output offset trims. Input bias current should also be very low because the bias current multiplied by the DAC output impedance (about 10 k $\Omega$  in some cases) adds to the zero-code error. Rail-to-rail input and output performance is desired. For fast settling, the slew rate of the op amp should not impede the settling time of the DAC. Output impedance of the DAC is constant and code independent, but in order to minimize gain errors, the input impedance of the output amplifier should be as high as possible. The AD862x, with a very high input impedance,  $I_B$  of 1 pA, and a fast slew rate, is an ideal amplifier for these types of applications. A typical configuration with a popular DAC is shown in Figure 46. In these situations, the amplifier adds another time constant to the system, increasing the settling time of the output. The AD862x, with 5 MHz of BW, helps in achieving a faster effective settling time of the combined DAC and amplifier.



Figure 46. Unipolar Output



Figure 47. 4-Quadrant Multiplying Application Circuit

In applications with full 4-quadrant multiplying capability or a bipolar output swing, the circuit in Figure 47 can be used. In this circuit, the first and second amplifiers provide a total gain of 2, which increases the output voltage span to 20 V. Biasing the external amplifier with a 10 V offset from the reference voltage results in a full 4-quadrant multiplying circuit.



**EIGHT-POLE SALLEN KEY LOW-PASS FILTER**

The AD862x's high input impedance and dc precision make it a great selection for active filters. Due to the very low bias current of the AD862x, high value resistors can be used to construct low frequency filters. The AD862x's picoamp-level input currents contribute minimal dc errors. Figure 49 shows an example of a 10 Hz, 8-pole Sallen Key filter constructed using the AD862x. Different numbers of the AD862x can be used depending on the desired response, which is shown in Figure 48. The high value used for R1 minimizes interaction with signal source resistance. Pole placement in this version of the filter minimizes the Q associated with the lower pole section of the filter. This eliminates any peaking of the noise contribution of resistors in the preceding sections, minimizing the inherent output voltage noise of the filter.



Figure 48. Frequency Response Output at Different Stages of the Low-Pass Filter

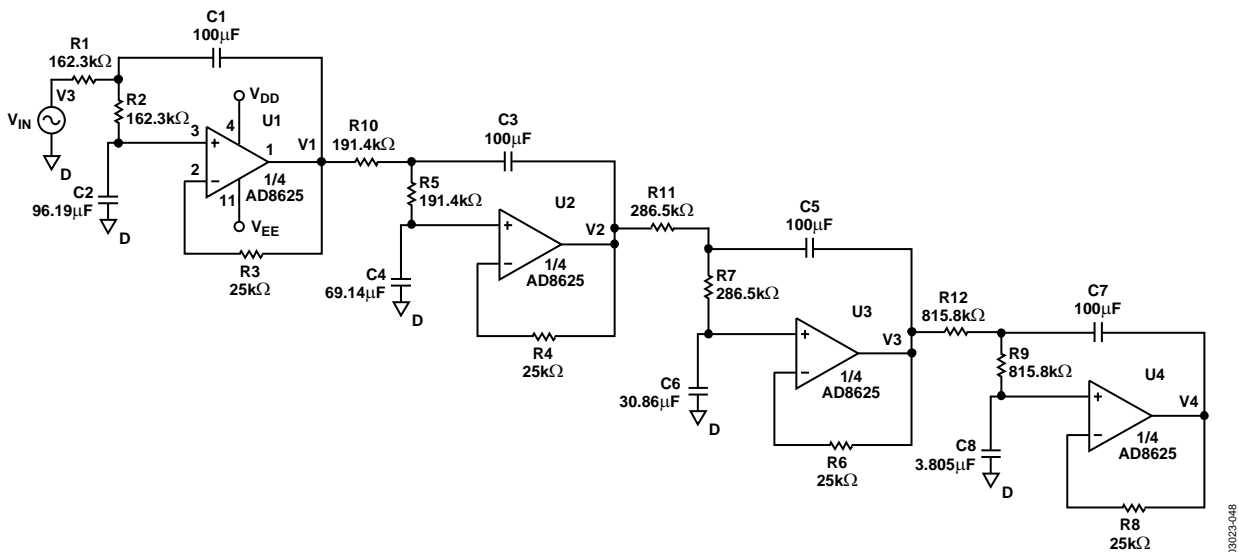


Figure 49. 10 Hz, 8-Pole Sallen Key Low-Pass Filter

OUTLINE DIMENSIONS



COMPLIANT TO JEDEC STANDARDS MO-203-AA

Figure 50. 5-Lead Plastic Surface-Mount Package [SC70] (KS-5)

Dimensions shown in millimeters

072809-A



COMPLIANT TO JEDEC STANDARDS MS-012-AA  
CONTROLLING DIMENSIONS ARE IN MILLIMETERS; INCH DIMENSIONS (IN PARENTHESES) ARE ROUNDED-OFF MILLIMETER EQUIVALENTS FOR REFERENCE ONLY AND ARE NOT APPROPRIATE FOR USE IN DESIGN.

Figure 51. 8-Lead Standard Small Outline Package [SOIC\_N] Narrow Body (R-8)

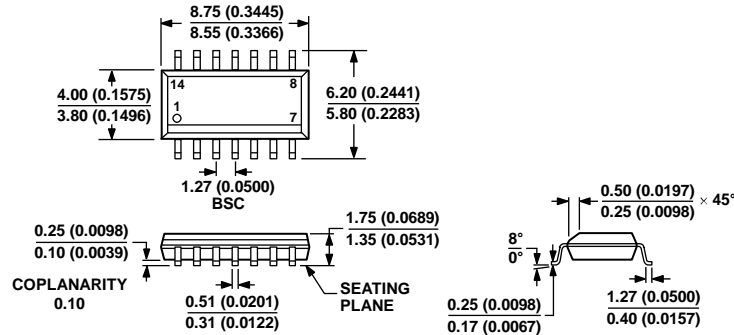
Dimensions shown in millimeters and (inches)

012407-A



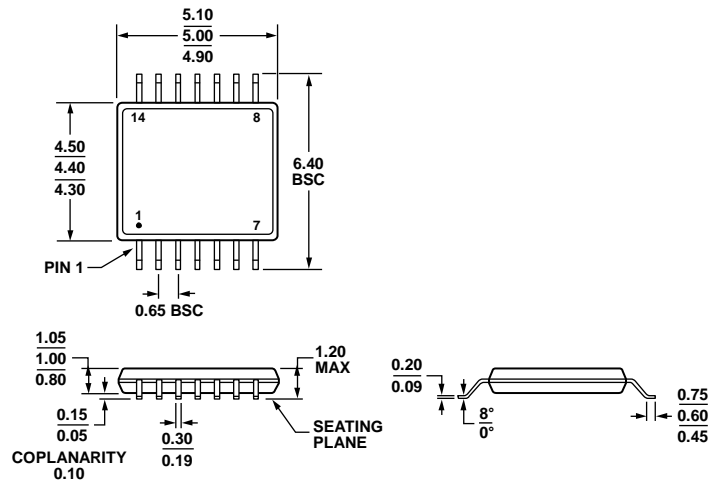
COMPLIANT TO JEDEC STANDARDS MO-187-AA  
 Figure 52. 8-Lead Mini Small Outline Package [MSOP]  
 (RM-8)  
 Dimensions shown in millimeters

10-07-2008-B



COMPLIANT TO JEDEC STANDARDS MS-012-AB  
 CONTROLLING DIMENSIONS ARE IN MILLIMETERS; INCH DIMENSIONS  
 (IN PARENTHESES) ARE ROUNDED-OFF MILLIMETER EQUIVALENTS FOR  
 REFERENCE ONLY AND ARE NOT APPROPRIATE FOR USE IN DESIGN.  
 Figure 53. 14-Lead Standard Small Outline Package [SOIC\_N]  
 (R-14)  
 Dimensions shown in millimeters and (inches)

060606-A



COMPLIANT TO JEDEC STANDARDS MO-153-AB-1  
 Figure 54. 14-Lead Thin Shrink Small Outline Package [TSSOP]  
 (RU-14)  
 Dimensions shown in millimeters

061908-A

## ORDERING GUIDE

| Model <sup>1, 2</sup> | Temperature Range | Package Description | Package Option | Branding |
|-----------------------|-------------------|---------------------|----------------|----------|
| AD8625ARUZ            | -40°C to +85°C    | 14-Lead TSSOP       | RU-14          |          |
| AD8625ARUZ-REEL       | -40°C to +85°C    | 14-Lead TSSOP       | RU-14          |          |
| AD8625ARZ             | -40°C to +85°C    | 14-Lead SOIC_N      | R-14           |          |
| AD8625ARZ-REEL        | -40°C to +85°C    | 14-Lead SOIC_N      | R-14           |          |
| AD8625ARZ-REEL7       | -40°C to +85°C    | 14-Lead SOIC_N      | R-14           |          |
| AD8626ARMZ-REEL       | -40°C to +85°C    | 8-Lead MSOP         | RM-8           | BJA      |
| AD8626ARMZ            | -40°C to +85°C    | 8-Lead MSOP         | RM-8           | BJA      |
| AD8626ARZ             | -40°C to +85°C    | 8-Lead SOIC_N       | R-8            |          |
| AD8626ARZ-REEL        | -40°C to +85°C    | 8-Lead SOIC_N       | R-8            |          |
| AD8626ARZ-REEL7       | -40°C to +85°C    | 8-Lead SOIC_N       | R-8            |          |
| AD8627AKSZ-REEL       | -40°C to +85°C    | 5-Lead SC70         | KS-5           | B9B      |
| AD8627AKSZ-REEL7      | -40°C to +85°C    | 5-Lead SC70         | KS-5           | B9B      |
| AD8627AKSZ-R2         | -40°C to +85°C    | 5-Lead SC70         | KS-5           | B9B      |
| AD8627ARZ             | -40°C to +85°C    | 8-Lead SOIC_N       | R-8            |          |
| AD8627ARZ-REEL        | -40°C to +85°C    | 8-Lead SOIC_N       | R-8            |          |
| AD8627ARZ-REEL7       | -40°C to +85°C    | 8-Lead SOIC_N       | R-8            |          |

<sup>1</sup> Z = RoHS Compliant Part; # denotes product may be top or bottom marked.

<sup>2</sup> For the AD8627AKS models, pre-0542 parts were branded with B9A without #.

Компания «Океан Электроники» предлагает заключение долгосрочных отношений при поставках импортных электронных компонентов на взаимовыгодных условиях!

Наши преимущества:

- Поставка оригинальных импортных электронных компонентов напрямую с производств Америки, Европы и Азии, а так же с крупнейших складов мира;
- Широкая линейка поставок активных и пассивных импортных электронных компонентов (более 30 млн. наименований);
- Поставка сложных, дефицитных, либо снятых с производства позиций;
- Оперативные сроки поставки под заказ (от 5 рабочих дней);
- Экспресс доставка в любую точку России;
- Помощь Конструкторского Отдела и консультации квалифицированных инженеров;
- Техническая поддержка проекта, помощь в подборе аналогов, поставка прототипов;
- Поставка электронных компонентов под контролем ВП;
- Система менеджмента качества сертифицирована по Международному стандарту ISO 9001;
- При необходимости вся продукция военного и аэрокосмического назначения проходит испытания и сертификацию в лаборатории (по согласованию с заказчиком);
- Поставка специализированных компонентов военного и аэрокосмического уровня качества (Xilinx, Altera, Analog Devices, Intersil, Interpoint, Microsemi, Actel, Aeroflex, Peregrine, VPT, Syfer, Eurofarad, Texas Instruments, MS Kennedy, Miteq, Cobham, E2V, MA-COM, Hittite, Mini-Circuits, General Dynamics и др.);

Компания «Океан Электроники» является официальным дистрибьютором и эксклюзивным представителем в России одного из крупнейших производителей разъемов военного и аэрокосмического назначения «JONHON», а так же официальным дистрибьютором и эксклюзивным представителем в России производителя высокотехнологичных и надежных решений для передачи СВЧ сигналов «FORSTAR».



## JONHON

«JONHON» (основан в 1970 г.)

Разъемы специального, военного и аэрокосмического назначения:

(Применяются в военной, авиационной, аэрокосмической, морской, железнодорожной, горно- и нефтедобывающей отраслях промышленности)

«FORSTAR» (основан в 1998 г.)

ВЧ соединители, коаксиальные кабели, кабельные сборки и микроволновые компоненты:

(Применяются в телекоммуникациях гражданского и специального назначения, в средствах связи, РЛС, а так же военной, авиационной и аэрокосмической отраслях промышленности).



Телефон: 8 (812) 309-75-97 (многоканальный)

Факс: 8 (812) 320-03-32

Электронная почта: [ocean@oceanchips.ru](mailto:ocean@oceanchips.ru)

Web: <http://oceanchips.ru/>

Адрес: 198099, г. Санкт-Петербург, ул. Калинина, д. 2, корп. 4, лит. А