

Sensor connectors, reflectors, mounting brackets, accessories

# XS, Y92E, E39

The sensor accessory portfolio provides the products required to connect, mount or operate the main photoelectric and inductive sensors. The accessories are designed to match the performance levels of the respective sensors from general applications to the most challenging environments.

- Reflectors for standard applications, special mounting requirements or special environments
- M8, M12 cable connectors
- Special fiber and photomicrosensor connectors
- Mounting brackets for square and cylindrical sensor shapes



Content

---

Cable connectors – quick guide and selection table . . . . .	2
Mounting accessories for standard photoelectric, inductive and capacitive sensors . . . . .	24
Reflectors for retro-reflective photoelectric sensors . . . . .	34

Cable connectors – quick guide and selection table

Size	Shape	Type	Features	Material		Order code		Extended Portfolio and Specs on Page
				Nut	Cable			
M8		General purpose (screw)	3 pin (LED optionally)	Brass (CuZn)	PVC 2 m	XS3F-M8PVC3S2M	XS3F-M8PVC3A2M	3
			4pin		PUR 2 m	XS3F-M8PUR3S2M	XS3F-M8PUR3A2M	3
		Detergent resistant	4 pin	Stainless steel (SUS316L)	PVC 2 m	Y92E-S08PVC4S2M-L	Y92E-S08PVC4A2M-L	6
			4 pin	Brass (CuZn)	Robotic PVC 2 m	XS3F-M421-402-R	XS3F-M422-402-R	8
M12		General purpose (screw)	3 wire (LED optionally)	Brass (CuZn)	PVC 2 m	XS2F-M12PVC3S2M	XS2F-M12PVC3A2M	3
			4 wire		PUR 2 m	XS2F-M12PUR3S2M	XS2F-M12PUR3A2M	3
			5 wire		PUR 2 m	XS2F-M12PUR4S2M	XS2F-M12PUR4A2M	3
		Detergent resistant	4 wire	Stainless steel (SUS316L)	PVC 2 m	Y92E-S12PVC4S2M-L	Y92E-S12PVC4A2M-L	6
			4 wire	Stainless steel (SUS316L)	Heat resistant PVC 2 m	XS2F-E421-D80-E	XS2F-E422-D80-E	12
			4 wire	Nickel plated Zinc	PVC 2 m	XS5F-D421-D80-A	XS5F-D422-D80-A	14
			4 wire	Brass (CuZn)	Robotic PVC 2 m	XS5F-D421-D80-P	XS5F-D422-D80-P	14
Fiber amplifier (E3X) connector		Fiber amplifier connectors	Special fiber connector - 4 wire	PBT	PVC 2 m	E3X-CN21		19
			Special fiber connector + M8 plug	Plug: Zinc diecast	PVC 30 cm with M8 4-pin plug	E3X-CN21-M3J-2 0.3M		19
			Special fiber connector + M12 plug		PVC 30 cm with M12 4-pin plug	E3X-CN21-M1J 0.3M		19
Photo-sensor (EE-SX) connector Cable connector		Cable connector	standard cable	Nylon	PVC 1 m	EE-1017 1M		21
			robotic cable			EE-1017-R 1M		21
M8/M12		Confectionable	Plugs and connectors for self assembly	Brass	n.a.	XS2G, XS2C Y92E_conf		15
M12		Field I/O boxes	Direct wiring or DeviceNet communication	-	-	XW3B, DRT2		18
M8/M12		T-connectors, covers, accessories and extended wiring portfolio	n.a.	-	-	XS2R, XS3R, XY2F, ..		23

General purpose connectors (M8/M12)

# XS3F, XS2F

Ordering information

Type	Size	Material		Features	Shape	Length (m)	Order code		
		Nut	Cable						
General purpose	M8	Brass (Nickel plated)	PVC	3 pin	angled	2	XS3F-M8PVC3A2M		
					5	XS3F-M8PVC3A5M			
				straight	2	XS3F-M8PVC3S2M			
					5	XS3F-M8PVC3S5M			
				4 pin	angled	2	XS3F-M8PVC4A2M		
					5	XS3F-M8PVC4A5M			
	straight			2	XS3F-M8PVC4S2M				
				5	XS3F-M8PVC4S5M				
	M12			Brass (Nickel plated)	PVC	3 wire	angled	2	XS2F-M12PVC3A2M
							5	XS2F-M12PVC3A5M	
						straight	2	XS2F-M12PVC3S2M	
							5	XS2F-M12PVC3S5M	
		4 wire	angled			2	XS2F-M12PVC4A2M		
			5			XS2F-M12PVC4A5M			
	straight	2	XS2F-M12PVC4S2M						
		5	XS2F-M12PVC4S5M						
	M12	Brass (Nickel plated)	PUR			3 wire	angled	2	XS2F-M12PUR3A2M
							5	XS2F-M12PUR3A5M	
						straight	2	XS2F-M12PUR3S2M	
							5	XS2F-M12PUR3S5M	
				4 wire	angled	2	XS2F-M12PUR4A2M		
					5	XS2F-M12PUR4A5M			
	straight			2	XS2F-M12PUR4S2M				
				5	XS2F-M12PUR4S5M				
M12	Brass (Nickel plated)			PUR	5 wire	angled	2	XS2F-M12PUR5A2M	
						5	XS2F-M12PUR5A5M		
					straight	2	XS2F-M12PUR5S2M		
						5	XS2F-M12PUR5S5M		

Note: M12 2-wire models are available for AC and DC applications.  
Contact your Omron representative

## Specifications

	<b>M8</b>	<b>M12</b>
<b>Rated current</b>	1 A	4 A
<b>Rated voltage</b>	125 VDC	125 VDC, 250 VAC
<b>Degree of protection</b>	IP67 (IEC 60529)	
<b>Ambient temperature</b>	<b>PUR</b>	Fixed cable: -50°C to 80°C Moving cable: -25°C to 80°C
	<b>PVC</b>	-25°C to 70°C

## Pin arrangement

M8 3 poles	M8 4 poles
 <p>1 = brown 3 = blue 4 = black</p>	 <p>1 = brown 2 = white 3 = blue 4 = black</p>

M12 3 poles	M12 4 poles	M12 5 poles
 <p>1 = brown 2 = n.c. 3 = blue 4 = black</p>	 <p>1 = brown 2 = white 3 = blue 4 = black 5 = n.c.</p>	 <p>1 = brown 2 = white 3 = blue 4 = black 5 = green / yellow</p>

## Materials

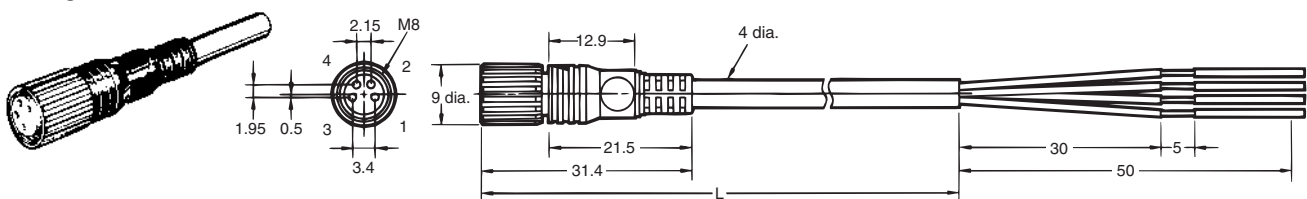
<b>Pin block</b>	PBT resin (UL 94V-0)
<b>Contacts</b>	Brass/ nickel base, 0.4 µm gold plating
<b>Fixture</b>	Brass/ nickel plated
<b>Cover</b>	Polyester elastomer (UL 94V-0)
<b>O-ring</b>	Rubber

## Dimensions

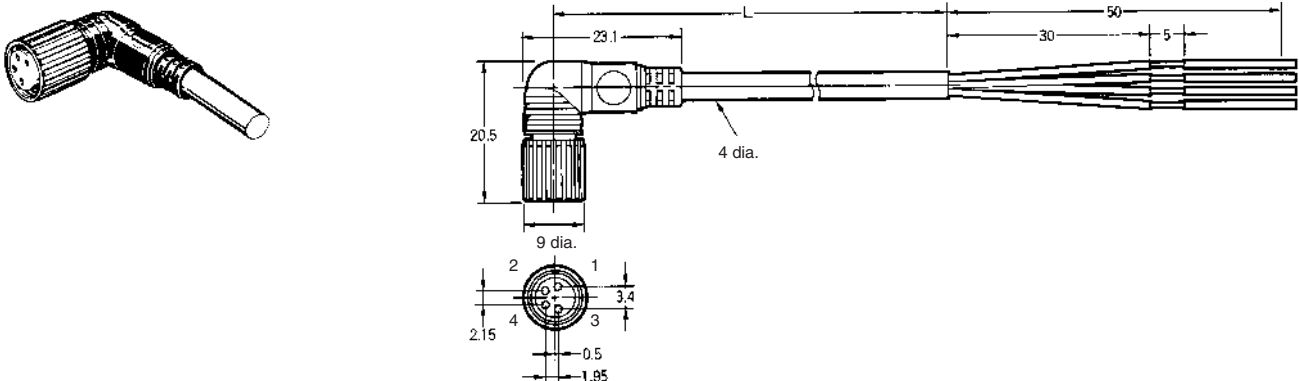
### XS3F

#### M8 Screw-on cable connectors

##### Straight Connectors



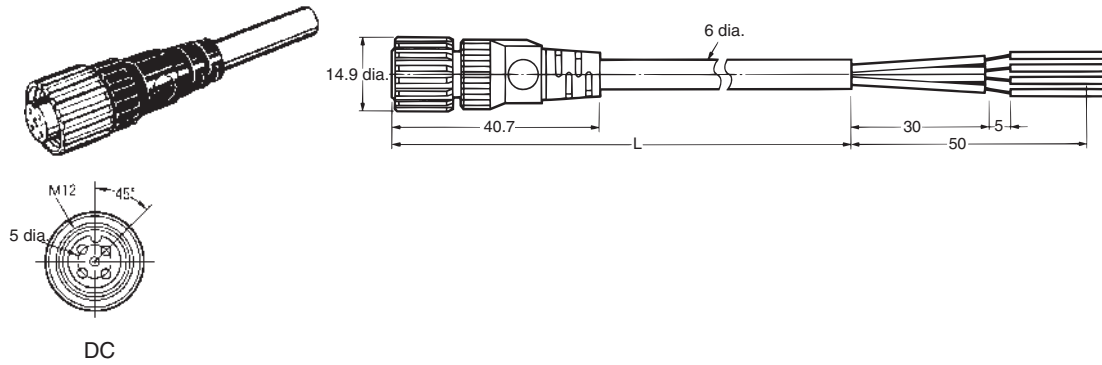
##### L-shaped Connectors



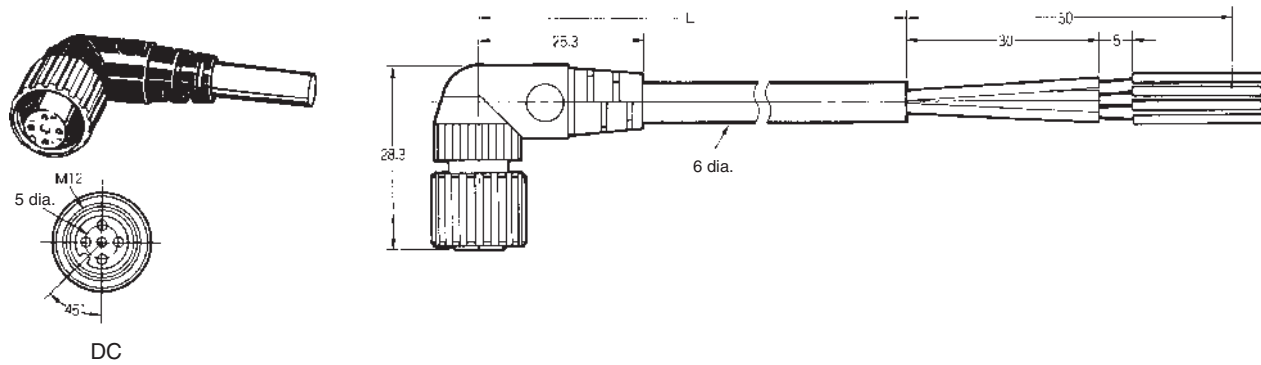
XS2F

M12 Screw-on cable connectors

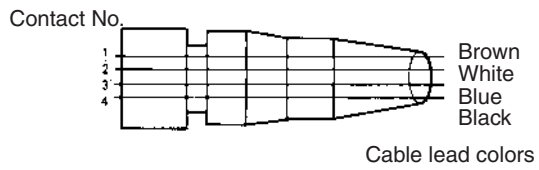
Straight Connectors



L-shaped Connectors



Wiring Diagram (M8 and M12)



Detergent resistant cable connectors (M8 / M12)

# Y92E-S

## Ordering information

### Detergent resistant models

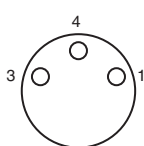
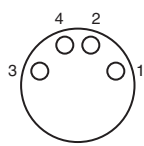
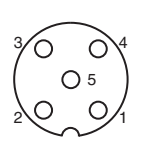
Type	Size	Material		Features	Shape	Length (m) <sup>*1</sup>	Order code	
		Nut	Cable					
detergent resistant	M8	SUS 316L	PVC	3 pin	Angled	2	Y92E-S08PVC3A2M-L	
						5	Y92E-S08PVC3A5M-L	
					Straight	2	Y92E-S08PVC3S2M-L	
						5	Y92E-S08PVC3S5M-L	
					4 pin	Angled	2	Y92E-S08PVC4A2M-L
							5	Y92E-S08PVC4A5M-L
	Straight			2		Y92E-S08PVC4S2M-L		
				5		Y92E-S08PVC4S5M-L		
	M12			Angled		2	Y92E-S12PVC4A2M-L	
						5	Y92E-S12PVC4A5M-L	
				Straight	2	Y92E-S12PVC4C2M-L		
					5	Y92E-S12PVC4S5M-L		

\*1 For different cable length please contact your Omron representative

## Specifications

<b>Rated current</b>	4 A
<b>Rated voltage</b>	M8 3 pin: 60 VDC M8 4 pin: 30 VDC M12 4-wire: 250 VDC
<b>Degree of protection</b>	IP67 (IEC 60529); IP69k (after DIN 40050-1)
<b>Ambient temperature</b>	-25°C to +70°C

### Pin arrangement

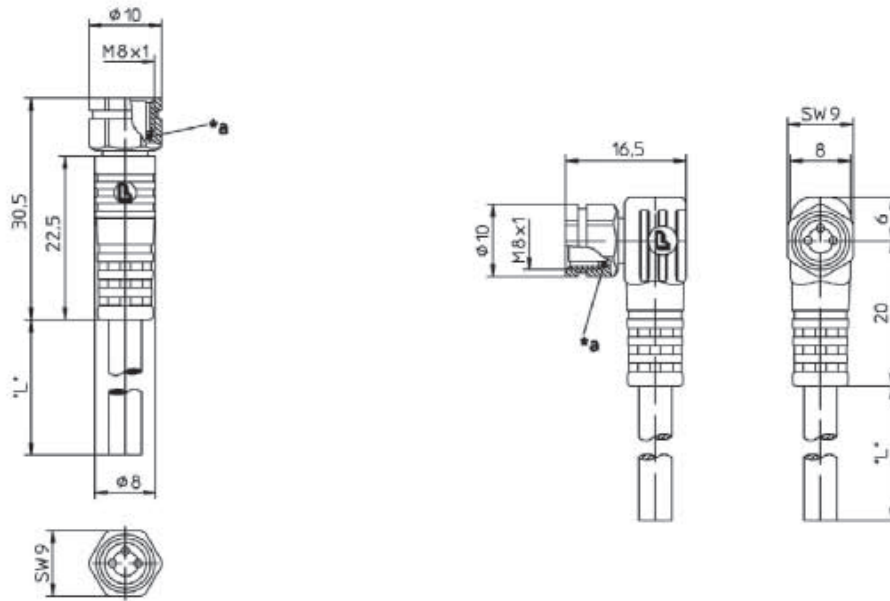
M8 3 pin		M8 4 pin		M12 4 pin	
	1 = brown 3 = blue 4 = black		1 = brown 2 = white 3 = blue 4 = black		1 = brown 2 = white 3 = blue 4 = black 5 = n.c.

### Materials

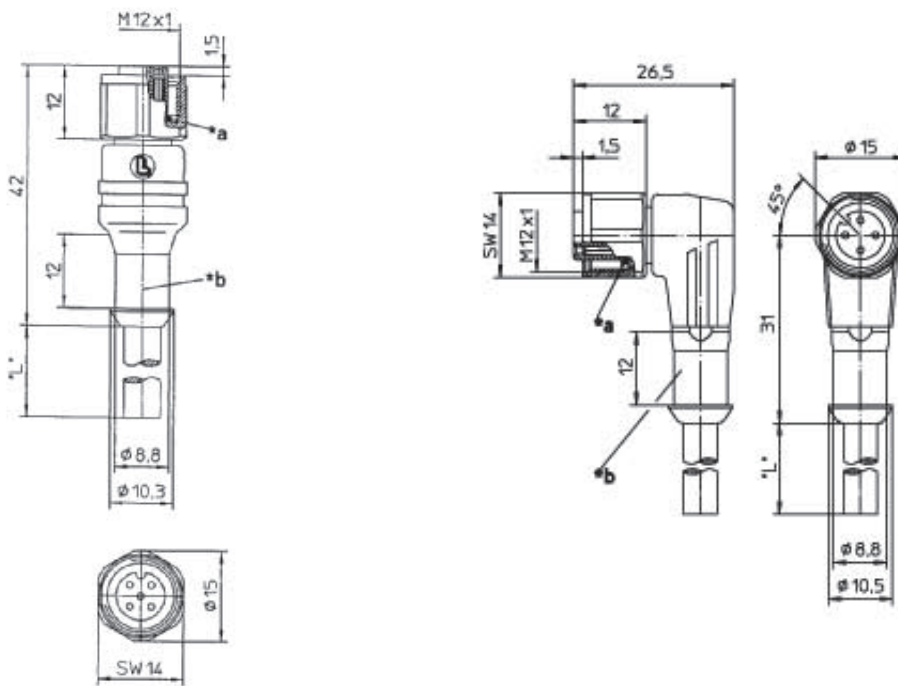
<b>Pin block</b>	PVC
<b>Contacts</b>	CuSn, nickel base, 0.3 μm gold plating
<b>Fixture</b>	Stainless steel
<b>Cover</b>	PVC
<b>O-ring</b>	EPDM

Dimensions

Y92E-S08

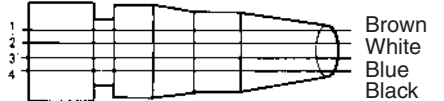


Y92E-S12



Wiring Diagram (M8 and M12)

Contact No.



Cable lead colors

Robot Cable Connectors (M8/M12)

# XS3F-\_-R, XS2F-\_-R

Ordering Information


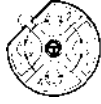
Type	Size	Material		Features	Shape	Length (m)	Order code
		Nut	Cable				
Vibration-proof robot cable (screw on)	M8	Brass (CuZn)	PVC	4 pin	Straight	2	XS3F-M421-402-R
						5	XS3F-M421-405-R
					Angled	2	XS3F-M422-402-R
						5	XS3F-M422-405-R
Vibration-proof robot cable (snap on)	M8	Thermoplastic	PVC	4 pin	Straight	2	XS3F-S421-402-R
						5	XS3F-S421-405-R
					Angled	2	XS3F-S422-402-R
						5	XS3F-S422-405-R
Vibration-proof robot cable (screw on)	M12	Brass (CuZn)	PVC	4 pin	Straight	2	XS2F-D421-DA0-R
							XS2F-D421-D80-R
						5	XS2F-D421-GA0-R
							XS2F-D421-G80-R
					Angled	2	XS2F-D422-DA0-R
							XS2F-D422-D80-R
						5	XS2F-D422-GA0-R
							XS2F-D422-G80-R
Vibration proof robot cable (srew on) for AC usage	M12	Brass (CuZn)	PVC	4 pin	Straight	2	XS2F-A421-DB0-R
							XS2F-A421-D90-R
						5	XS2F-A421-GB0-R
					XS2F-A421-G90-R		
					Angled	2	XS2F-A422-DB0-R
							5



Specifications

	M8	M12
Rated current	1 A	3 A
Rated voltage	125 VDC	125 VDC, 250 VAC
Degree of protection	IP67 (IEC529)	IP67 (IEC529)
Ambient temperature	Operating: -25°C to 70°C	Operating: -25°C to 70°C

Pin arrangement

M8	M12	AC type
DC type		
Socket		

Materials

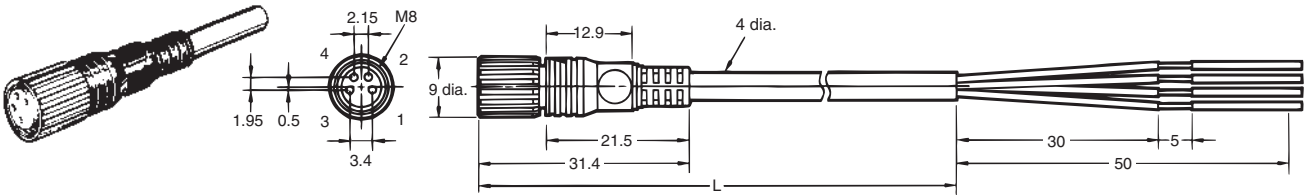
	M8	M12
Pin Block	PBT resin/light gray or black	PBT resin (UL94V-0), light grey or dark grey
Contacts	Brass/nickel base, 0.4-μm gold plating	Phosphor bronze, nickel base, 0.4-μm gold plating
Fixture	Brass/nickel plated	
Cover	Thermoplastic elastomer/black	Polyester elastomer
O-ring	Rubber	

Dimensions

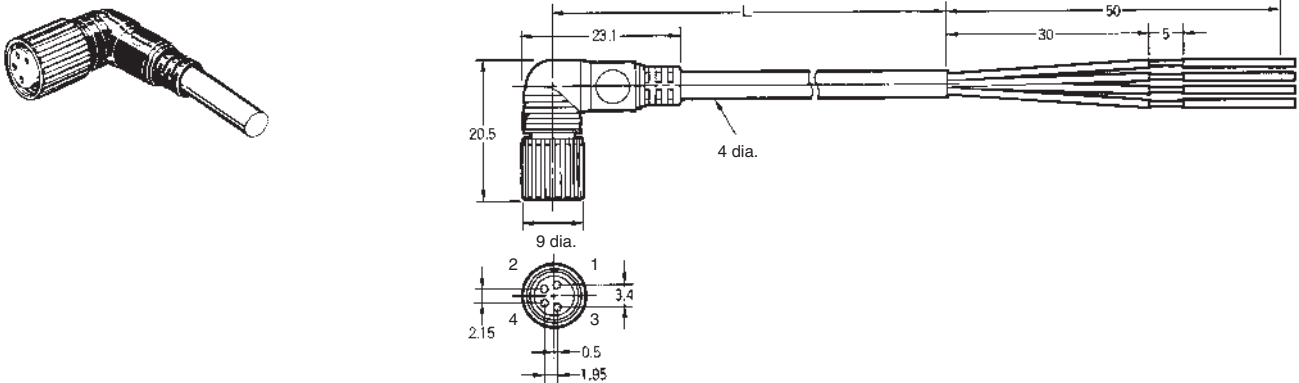
XS3F-\_-R

M8 Screw-on cable connectors

Straight Connectors

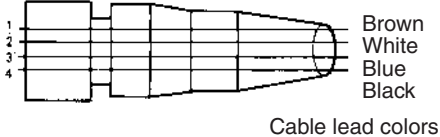


Angled Connectors



Wiring Diagram (M8)

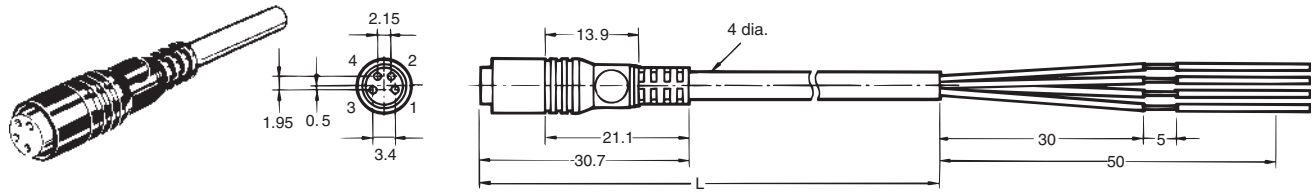
Contact No.



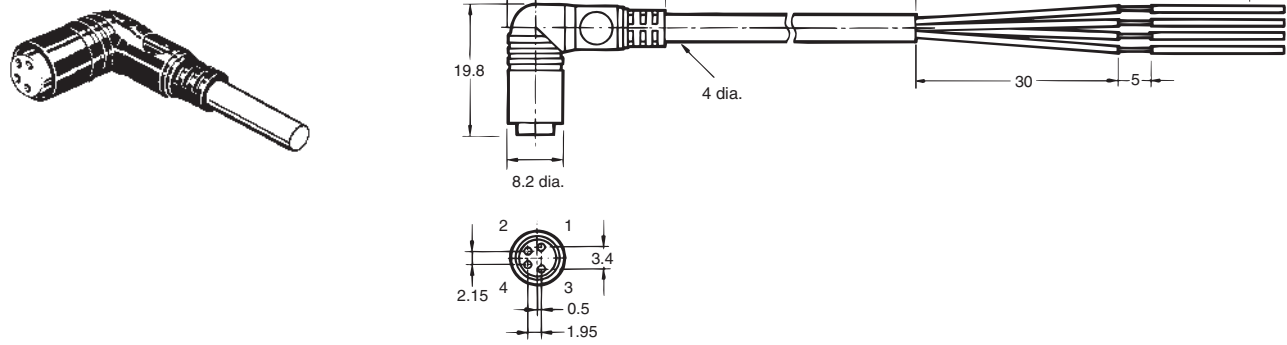
Cable lead colors

M8 Snap-on cable connectors

Straight Connectors



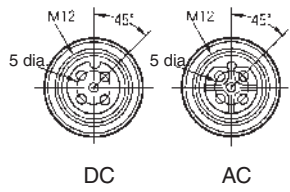
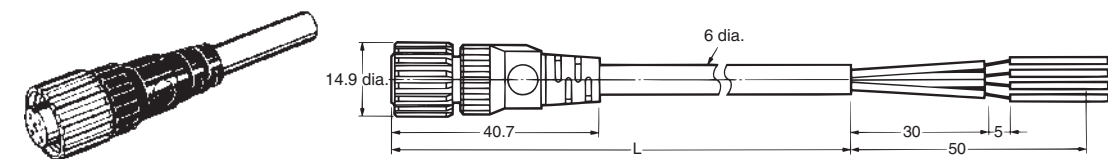
Angled Connectors



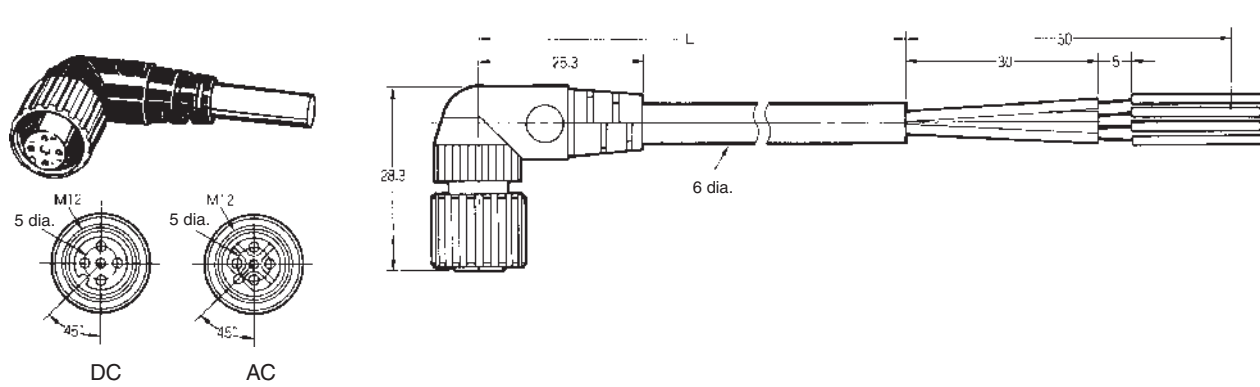
XS2F-\_-R

M12 Screw-on cable connectors


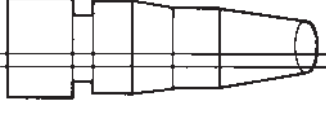
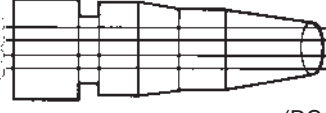
Straight Connectors



Angled Connectors



Wiring Diagram (M12)

<p>2-wire model</p>	<p>Contact No. 1 2 3 4</p>  <p>Brown Blue (DC)</p> <p>Contact No. 1 2 3 4</p>  <p>Brown Blue (AC)</p>
<p>4-wire model</p>	<p>Contact No. 1 2 3 4</p>  <p>Brown White Blue Black (DC/AC)</p>

Heat & chemical resistant cable connectors

# XS2F-\_-E

## Ordering information

Type	Size	Material		Features	Shape	Length (m)	Order code
		Nut	Cable				
Heat and detergent resistant	M12	SUS316L	Heat resistant PVC	4 pin	straight	2	XS2F-E421-D80-E
						5	XS2F-E421-G80-E
					angled	2	XS2F-E422-D80-E
						5	XS2F-E422-G80-E

## Specifications

Rated current	3 A
Rated voltage	125 VDC, 250 VAC
Degree of protection	IP67 (IEC 60529); IP69k (DIN 40050 part 9)
Ambient temperature	-25°C to 105°C

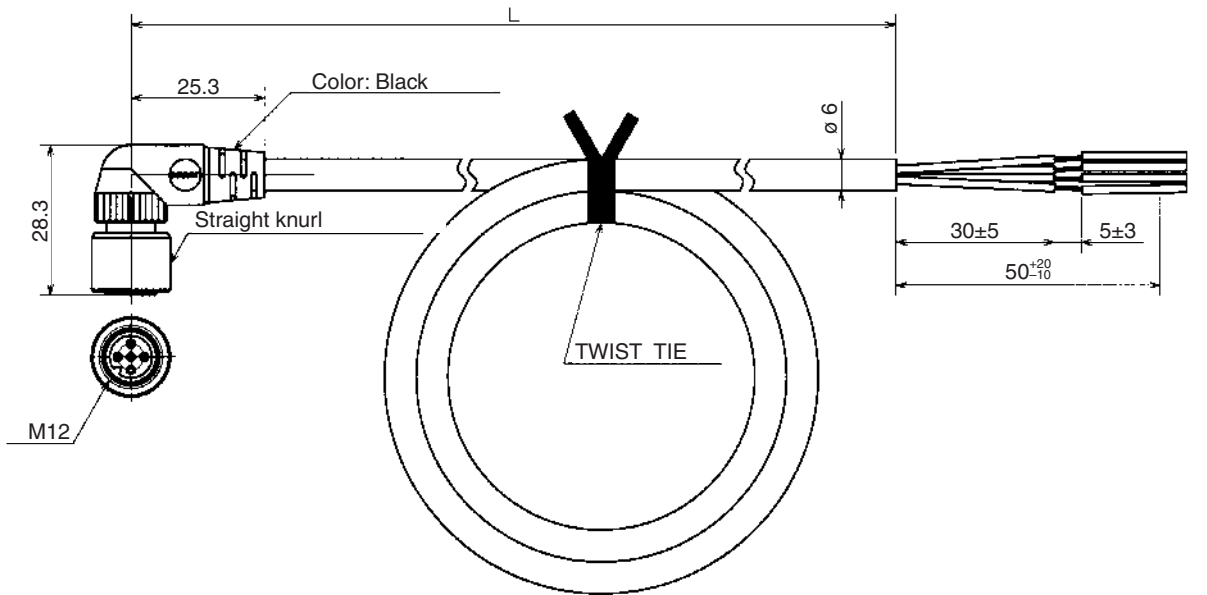
## Pin arrangement

M12 4 pin	
	<p>1 = brown                  2 = white                  3 = blue                  4 = black                  5 = n.c.</p>

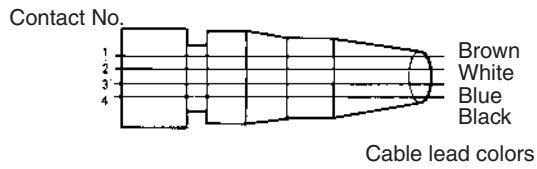
## Materials

Pin block	PBT (UL94V-0), light gray
Contacts	Phosphor bronze, nickel base, 0.4 µm gold plating
Fixture	SUS316L
Cover	TPEE (UL94V-0), black
O-ring	Rubber

Dimensions



Wiring Diagram (M12)



# Twist & click (M12)

# XS5F

## Ordering information

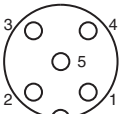
Type	Size	Material		Features	Shape	Length (m)	Order code
		Nut	Cable				
Twist & Click	M12	Brass	PVC	For standard 4 pin or Omron Smartclick connectors	Angled	2	XS5F-D422-D80-A
						5	XS5F-D422-G80-A
					Straight	2	XS5F-D421-D80-A
						5	XS5F-D421-G80-A

Note: The XS5F connectors can be attached to standard M12 plug connectors (screw-fix) and to XS5 plug connectors (twist & click). For details on the twist & click locking mechanism refer to XS5 data sheet.

## Specifications

<b>Rated current</b>	4A
<b>Rated voltage</b>	125 VDC, 250 VAC
<b>Degree of protection</b>	IP67 (IEC 60529)
<b>Ambient temperature</b>	-25°C to 70°C

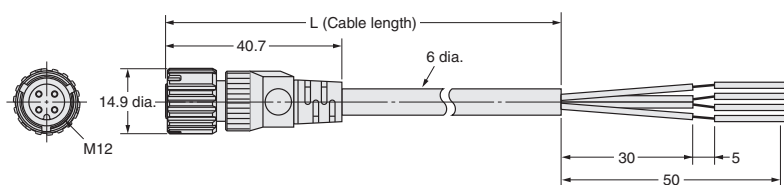
### Pin arrangement

M12 4 poles	
	1 = brown 2 = white 3 = blue 4 = black 5 = n.c.

### Materials

<b>Pin block</b>	PBT resin (UL94V-0)
<b>Contacts</b>	Phosphor bronze/nickel base, 0.4 µm gold plating
<b>Fixture</b>	Zinc alloy/nickel plated
<b>Cover</b>	Polyester elastomer (UL94V-0)
<b>O-ring</b>	Rubber

## Dimensions



Confectionable plugs and connectors (self-assembly)

# XS2C, XS2G, Y92E-\_-conf

Ordering information

Type	Size	Material Nut	Features	Shape	Order code	
Plug (male)	M8	Polyester elastomer	3 pin	straight	Y92E-MM08PVC3Sconf-L	
			4 pin		Y92E-MM08PVC4Sconf-L	
	M12		4 pin	crimp	straight	XS2G-D4C3
				solder	straight	XS2G-D423
				solder	angled	XS2G-D424
			5 pin	screw fix	straight	XS2G-D5S1
					angled	XS2G-D5S2
			4 pin twist & click (for 4-5mm cables)	screw fix	straight	XS2G-D4S3
	angled				XS2G-D4S4	
	Connector (female)		M8	3 pin	straight	Y92E-M08PVC3Sconf-L
4 pin		Y92E-M08PVC4Sconf-L				
M12		4 pin	crimp	straight	XS2C-D4C3	
			solder	straight	XS2C-D423	
			crimp	angled	XS2C-D4C4	
		solder	angled	XS2C-D424		
		5 pin	screw fix	straight	XS2C-D5S1	
				angled	XS2C-D5S2	

Specifications

	Y92E	XS2G, XS2C
Rated current	4 A	
Rated voltage	36 VDC	125 VDC, 250 VAC
Degree of protection	IP67 (IEC60529)	
Ambient temperature	-25°C to 70°C	

Pin arrangement

M8		M12			
Plug	Connectors	Plug		Connectors	
4 pin	4 pin	4 pin	5 pin	4 pin	5 pin
<b>4 pin:</b> 1 = brown 2 = white 3 = blue 4 = black 5 = n.c.			<b>5 pin:</b> 1 = brown 2 = white 3 = blue 4 = black 5 = green / yellow		

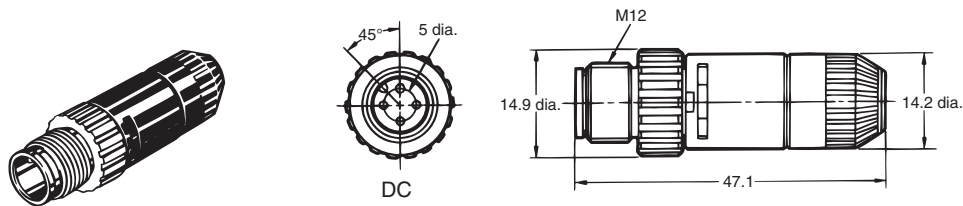
Materials

	Y92E	XS2G, XS2C
Pin block	PVC	PBT resin (UL94V-0)
Contacts	CuSn, nickel base, 0.3 µm gold plating	Brass/nickel base, 0.4 µm gold plating
Fixture		Brass/nickel base
Cover	PVC	PBT resin (UL94V-0)
O-ring	FKM	Rubber

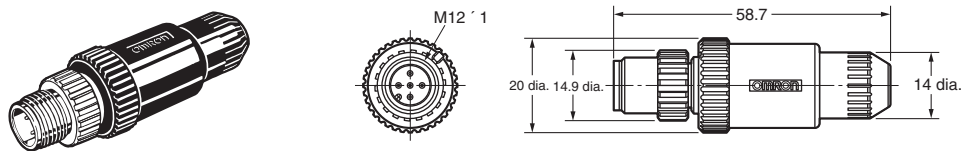
## Dimensions

### Plugs (male)

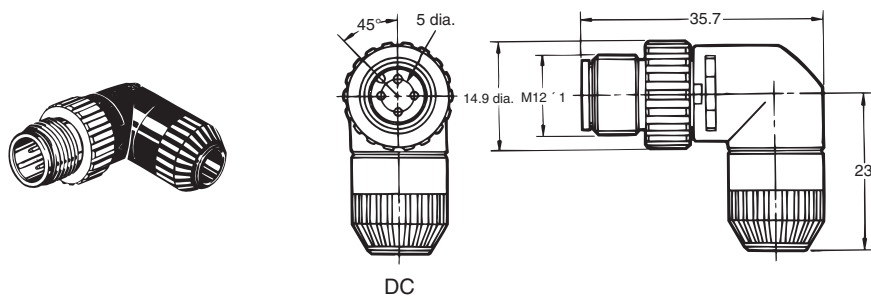
XS2G-D4C□ (Crimping Model, Straight),  
XS2G-D42□ (Soldering Model, Straight)



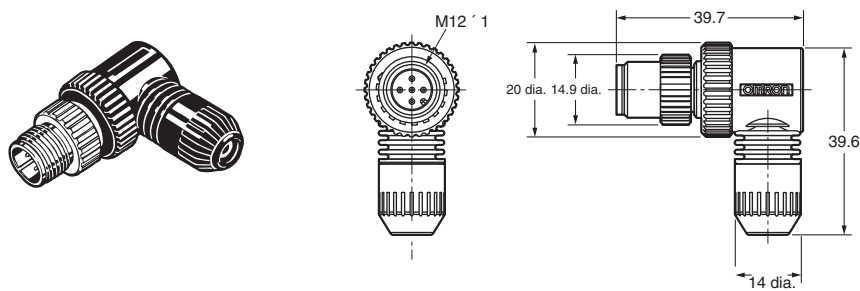
XS2G-D5S1 (Screw-on model, Straight)



XS2G-D42□ (Soldering Model, L-shaped)

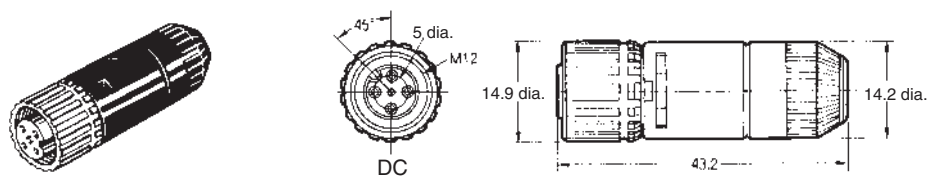


XS2G-D5S2 (Screw-on model, angled)

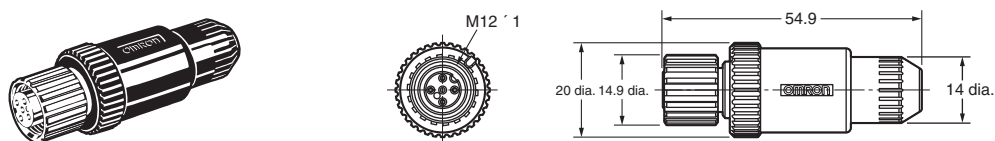


### Connectors (female)

XS2C-D4C□ (Crimping Model, Straight),  
XS2C-D42□ (Soldering Model, Straight)

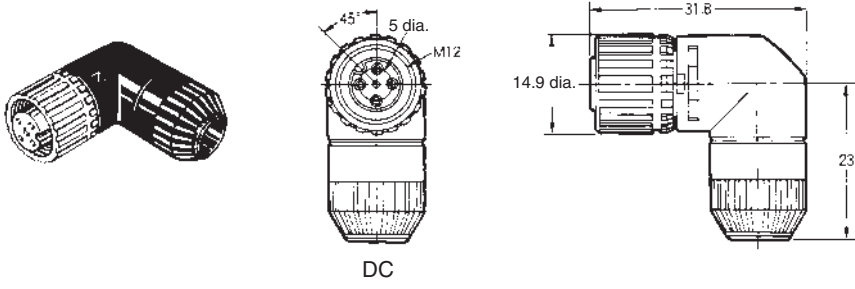


XS2C-D5S1 (Screw-on model, straight)

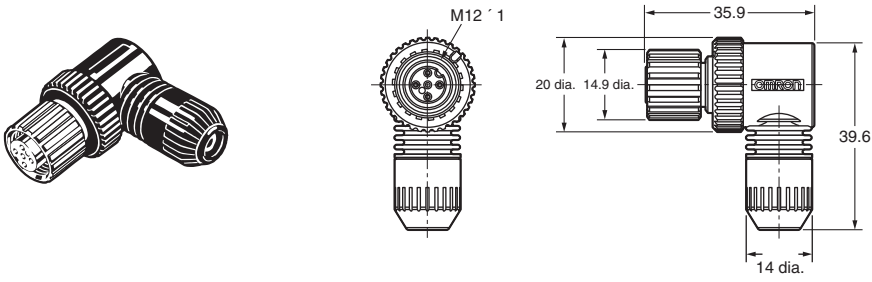




XS2C-D4C□ (Crimping Model, L-shaped)  
 XS2C-D42□ (Soldering Model, L-shaped)



XS2C-D5S2 (Screw-on model, angled)



Field I/O boxes

# XW3B, XW3D, DRT2

## Ordering information

Type	Nr of inputs/ outputs	Output configuration	Connection	Order code
Direct wiring	4 x M12 inputs	PNP <sup>*1</sup>	5m pre-wired	XW3B-P453-G11
	6 x M12 inputs			XW3B-P653-G11
	8 x M12 inputs			XW3B-P853-G11
Direct wiring with M12 Twist&click	4 x M12 with smartclick inputs	PNP <sup>*1</sup>	5m pre-wired	XW3D-P453-G11 <sup>*2</sup>
	8 x M12 with smartclick inputs			XW3D-P853-G11 <sup>*2</sup>
DeviceNet	4 x M12 inputs	PNP <sup>*1</sup>	M12 (M12 DeviceNet cables are available)	DRT2-ID04CL-1
	8 x M12 inputs			DRT2-ID08CL-1 <sup>*3</sup>
	16 x M12 inputs			DRT2-HD16CL-1 <sup>*3</sup>
	8 x M12 inputs + 8 x M12 outputs			DRT2-MD16CL-1

<sup>\*1</sup> NPN types are available on request

<sup>\*2</sup> For details refer to Omron XS5 product information

<sup>\*3</sup> Separate power supply. Models with power supply via DeviceNet cable are available

## Specifications

	XW3B/XW3D	DRT2
<b>Rated current</b>	4 A/port (signal lines) 12 A/box (power lines)	6 mA input 0.5 A per point (output)
<b>Rated voltage</b>	10 to 30 VDC	24 VDC
<b>Degree of protection</b>	IP67 (IEC 60529)	
<b>Operating temperature</b>	-25°C to 70°C	-10°C to 55°C

Note: For details and dimensions refer to separate datasheet or [www.industrial.omron.eu](http://www.industrial.omron.eu)

Fiber amplifier connectors

# E3X-CN

Ordering information

Type	Size	Features	Order code
Fiber amplifier connector	Special connector 17,8x10x15,1	4 wire; 2 m PVC cable	E3X-CN21
		3 wire; 2 m PVC cable	E3X-CN11
		2 wire slave cable; 2 m PVC	E3X-CN22 <sup>*1</sup>
		1 wire slave cable; 2 m PVC	E3X-CN12 <sup>*1</sup>
		M8 4-pin plug with 30 cm PVC cable	E3X-CN21-M3J-2 0.3M
		M12 4-pin plug with 30 cm PVC cable	E3X-CN21-M1J 0.3M

<sup>\*1</sup> Slave connectors can be used to reduce wiring effort. The setup requires 1 master amplifier with the slave amplifiers directly mounted attached. The power supply is then provided by the master amplifier via the clipped on slave connectors. For 4-wire masters use 2-wire slaves and for 3-wire masters 1-wire slaves.

Specifications

Rated current	2.5 A
Rated voltage	50V
Degree of protection	IP50 (EC 60529)
Ambient temperature	Groups of 1 or 2 amplifiers: -25 to 55°C
	Groups of 3 to 10 amplifiers: -25 to 50°C
	Groups of 11 to 16 amplifiers: -25 to 45°C

Materials

Housing	Polybutylene terephthalate (PBT)
Contacts	Phosphor bronze/ gold plated/ nickel

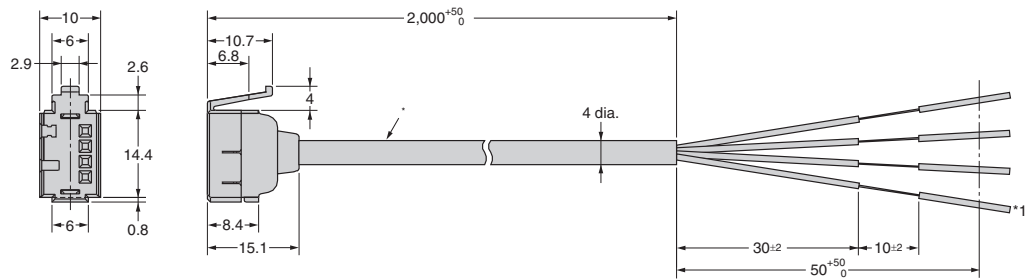
Pin arrangement

	Connector	Cable colour	
M8	1	brown	+
	2	orange/white	Output 2 or ext. input
	3	blue	-
	4	black	Output 1
M12		pink	Ext. Input

## Dimensions

### Master connectors

#### E3X-CN21/E3X-CN11

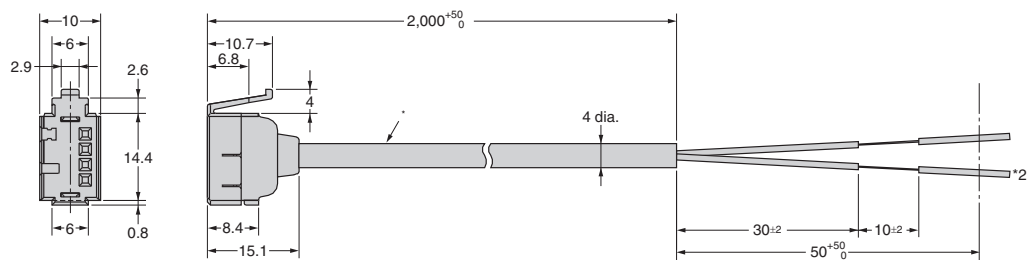


\* E3X-CN21: 4-dia. vinyl-insulated round cable with 4 conductors (Conductor cross section: 0.2 mm<sup>2</sup>, Insulator diameter: 1.1 mm)

\*<sup>1</sup> Only E3X-CN21

### Slave connectors

#### E3X-CN22/E3X-CN12



\* E3X-CN21: 4-dia. vinyl-insulated round cable with 4 conductors (Conductor cross section: 0.2 mm<sup>2</sup>, Insulator diameter: 1.1 mm)

\*<sup>2</sup> Only E3X-CN22

Photomicrosensor connectors

# EE-1

## Ordering information

Type	Size	Features	Applicable sensors	Ordercode
Pin connector for soldering	13x4x10.8	For dark on	EE-SX47/67	EE-1001
		For light on		EE-1001-1
Cable connector	13x4x13.5	standard cable		EE-1010 2M
		robotic cable		EE-1010-R 2M
	10x5.8x8	standard cable	EE-SX97	EE-1017 1M
		robotic cable	EE-SX97	EE-1017-R 1M
Cable connector for EE-SX91 pigtail versions	10x5.8x8	robotic cable	EE-SX91	EE-1016-R

## Specifications

Rated voltage	5 to 24 VDC
Degree of protection	IP50 (IEC 60529)
Ambient temperature range	operating: -25 to 55°C
	storage: -30 to 80°C

## Material

	EE-1001	EE-1010/EE-1016	EE-1017
Housing	Nylon		
Contacts	Phosphor bronze		
Cable	–	PVC 2 m	PVC 1 m (3 m are available on request)

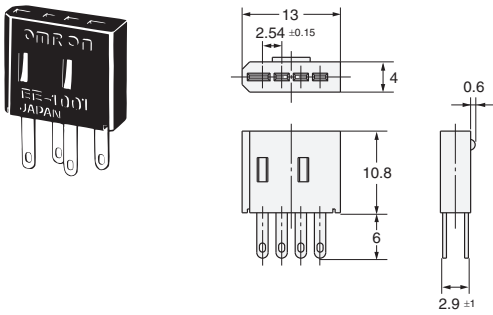
## Pin arrangement

	EE-1001, EE-1010		EE-1016		EE-1017	
1	+	Brown	+	Brown	+	Brown
2	L	Pink	output 2	White	1	Black
3	out	Black	–	Blue	2	White
4	–	Blue	output 1	Black	–	Blue

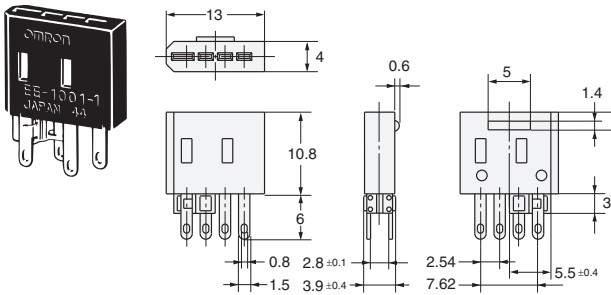
Note: For the connector EE-1001-1 the pins 1(+) and 2 (L) are short circuited

Dimensions

Connector  
EE-1001



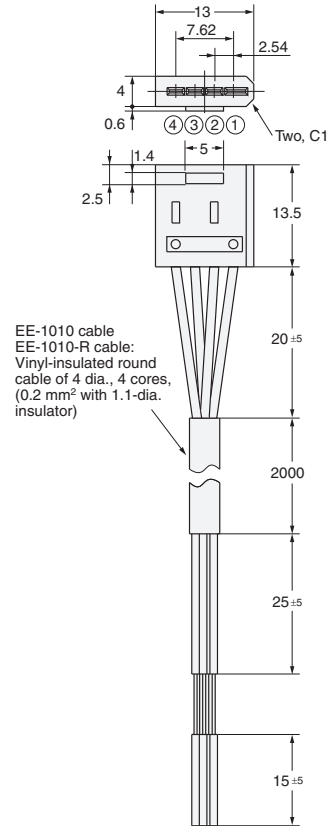
Connector  
(short-circuited between positive (+) and L terminals)  
EE-1001-1



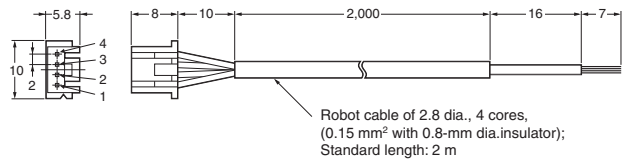
Connector with Cable  
EE-1010



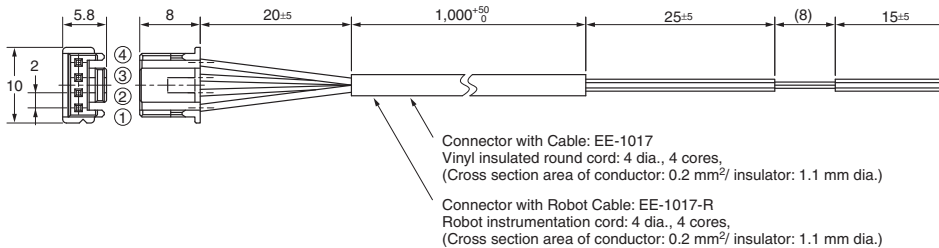
Connector with Robot Cable  
EE-1010-R



Connector with Robot Cable  
EE-1016-R



Connector with Robot Cable  
EE-1017-R



T-connectors, Covers, Accessories, extended wiring portfolio

# XS2

Name	Model		Appearance
Cable connectors with plugs (open end or connector end)	XS2W Plug connectors (Connector end)		
	XS2H Plug connectors (Open end)		
Connector Assembly Accessories (Crimping, Soldering, or Screw-on)	XS2F Crimp Tool (for Crimping Connectors)		
	XS2U Crimping pin (for XS2G/XS2C)		
	XW4Z Screwdriver (for Screw-on Connectors)		
Panel-mounting Connectors	XS2P Sockets (M12) XS3P Sockets (M8)		
	XS2M Plugs (M12) XS3M Plugs (M8)	Flange-mounting Plugs	
		Screw-mounting Plugs	
T-Joints and Y-Joints Used for branching and for daisy-chain connections.	XS2R T-Joint/Y-Joint Plug/Socket Connectors (M12)		
	XS3R Y-Joint Plug/Socket Connectors (M8)		
Dust covers Used to protect unused connector ports	XS2Z (M12) XS3Z (M8)		

Note: For details on these products, contact your Omron representative

Mounting accessories for standard photoelectric, inductive and capacitive sensors

# E39, Y92E

## Mounting brackets and covers





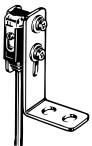
For cylindrical shapes


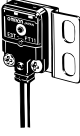



Shape	Product group	Type	Housing material	Features	Applicable sensors	Order code
	Mounting brackets	general purpose - screw fix	plastic	- cost efficient mounting bracket - for M8, M12, M18, M30 - surface mounting	-E3F2 -E2A	Y92E-B8 Y92E-B12 Y92E-B18 Y92E-B30
		general purpose - snap fix	stainless steel	- for dia 20 mm	-E3FZ (snap mount)	E39-EL8
				- for M18	-E3FZ (mounting with M18 nuts) -E3F2	E39-EL12
		general purpose - screw fix	plastic	- for dia 34 mm	-E2K-C	Y92E-A34
		quick access - snap fix		- snap fix for quick sensor access - for M8, M12, M18, M30 - surface mounting	-E3F2 (metal housing) -E2A (metal housing)	Y92E-BC8 Y92E-BC12 Y92E-BC18 Y92E-BC30
	quick access - clamp fix	stainless steel	- clamp fix for quick sensor access with exact repositioning - for M8, M12, M18, M30 - through mounting		Y92E-G8 Y92E-G12 Y92E-G18 Y92E-G30	







Shape	Product group	Type	Housing material	Features	Applicable sensors	Order code
	Protective covers	general purpose sensor head protection	polyarylate	- for M8, M12, M18, M30 - for shielded and unshielded	E2A	Y92E-E8 Y92E-E12 Y92E-E18 Y92E-E30
		sputter protection for sensor head	silicone rubber	- increased protection in weld fields - for M12, M18, M30 - for shielded sensors		Y92E-E12-2 Y92E-E18-2 Y92E-E30-2
		general purpose lens protection	metal rim with glass cover		E3F2	E39-F31

For square shapes



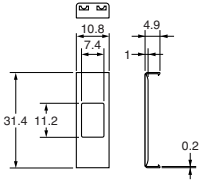


Shape	Type	Housing material	Features	Mounting type	Applicable Sensors	Order code
	General purpose mounting	Stainless steel (SUS 304)	inclination angle adjustment	side wall mounting	E3Z	E39-L43
				back wall mounting		E39-L44
			horizontal and inclination angle adjustment	surface mounting	E39-L104	
			up/down position adjustment	back wall mounting	E3T-S	E39-L117
				surface mounting		E39-L116

Shape	Type	Housing material	Features	Mounting type	Applicable Sensors	Order code
	General purpose mounting	Stainless steel (SUS 304)	up/down position adjustment	back wall mounting	E3T-F	E39-L119
				side wall mounting		E39-L120
			back wall mounting	E3G-R	inclination angle adjustment	E39-L132
			side and back wall mounting			E39-L131
			surface mounting		E3G-L	-E39-L139 -E39-L140

Shape	Type	Housing material	Features	Mounting type	Applicable Sensors	Order code
	General purpose mounting	Stainless steel (SUS 304)	3D rotation	surface, side and backwall mounting	E3G, E3Z	E39-EL4
					E3T, E3Z, E3C	E39-EL5
					E39-EL6	
	Side protection		inclination angle adjustment	protective side wall mounting	E3T-S	E39-L118

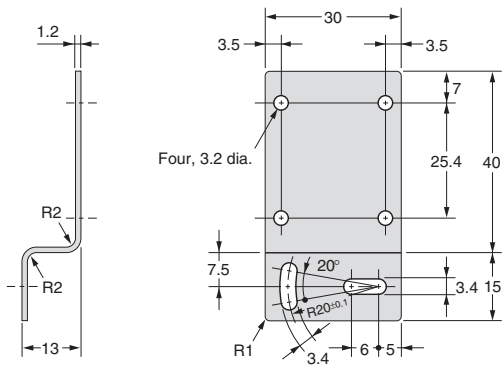
Shape	Type	Housing material	Features	Mounting type	Applicable Sensors	Order code
	Full protection		inclination angle adjustment	protective side wall mounting	E3Z (pre-wired types)	E39-L142
			horizontal angle adjustment	protective surface mounting		E39-L144
					-E3Z	E39-L98
	Telescope mounting	Stainless steel (SUS 304)	- 360° horizontal rotation - max telescope length	side and back wall mounting	-E3Z -E39-R3	-E39-L150 -E39-L151
			3D rotation around x, y, and z-axis	side wall, back wall and surface mounting		E39-L93FH E39-L93FV
			Extension pipe with XY joint	pipe mounting	E39-L93_	E39-L93XY
			Reflector adapter for E39-L93_	telescope mounting	-E39-R1 -E39-R1S	E39-L96

Slit, filters and other accessories

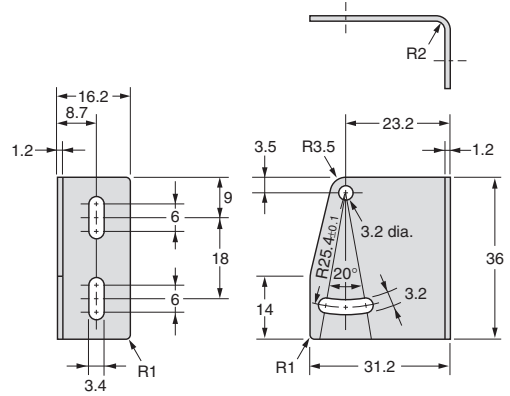
Shape	Type	Features	Mounting type	Applicable Sensors	Order code
	Precision detection slit cover	- slit width from dia 0.5 mm for min object size detection of dia 0.2 mm	snap on	E3Z-T	E39-S65
				E3T-□T	-E39-S63 -E39-S64
	Mutual interference prevention	polarizing filter for close mounting of multiple sensors through beam sensors		E3Z-T□A	E39-E11
	Adjustment aid	adjustment aid for sensitivity adjustment	E3T-ST1	E39-E10	
			photo electric sensors with adjustable potentiometers	E39-G2	

Dimensions

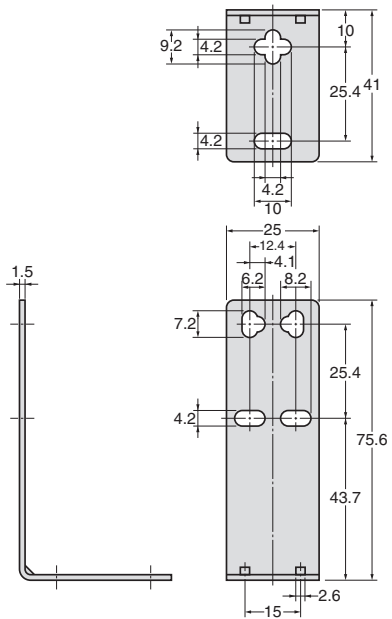
E39-L43



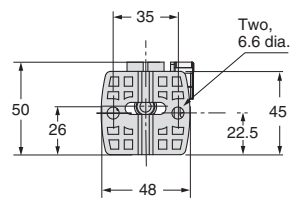
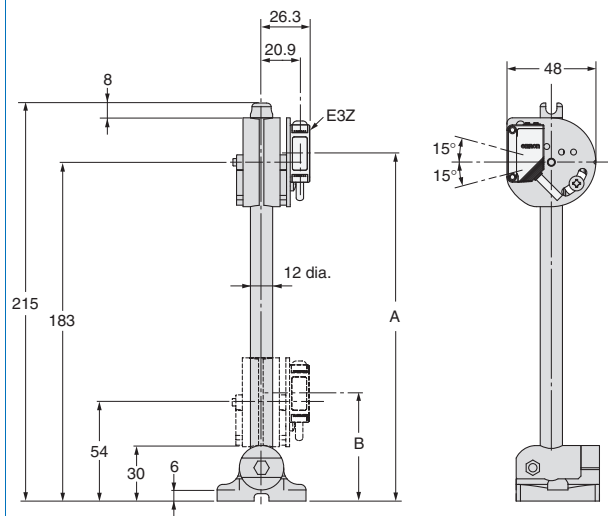
E39-L44



E39-L87

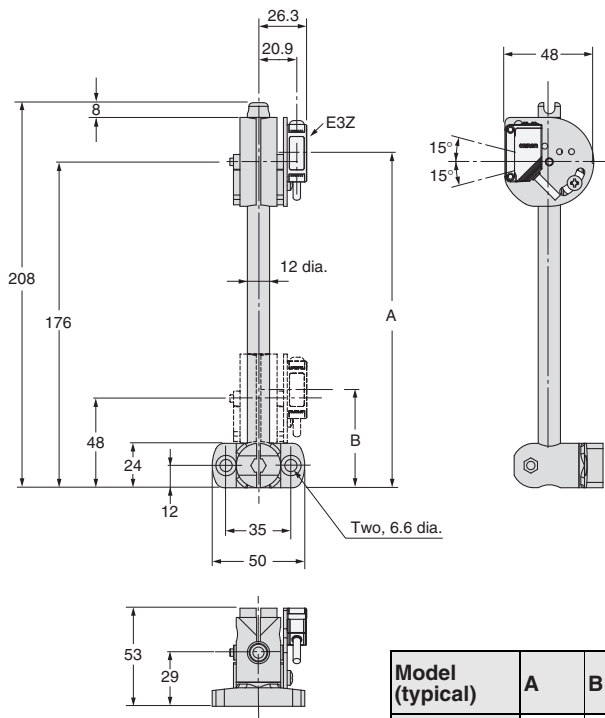


E39-L93FH

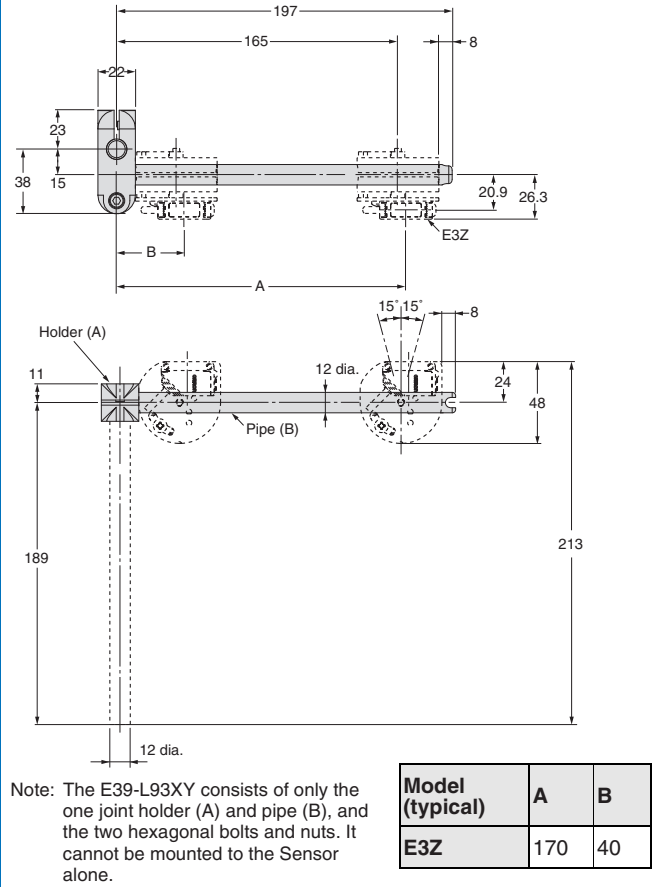


Model (typical)	A	B
E3Z	188	59

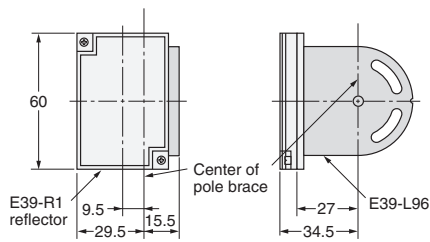
E39-L93FV



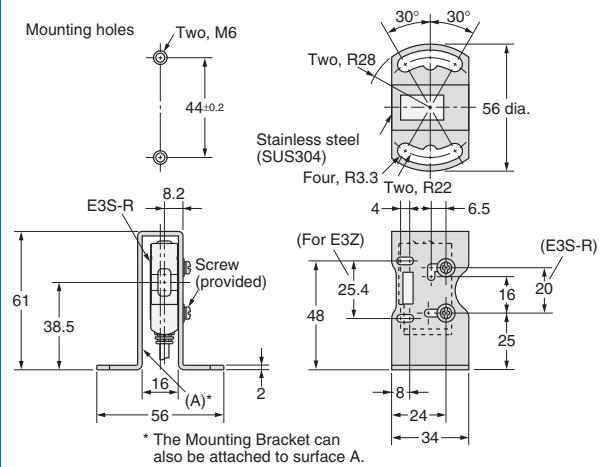
E39-L93XY



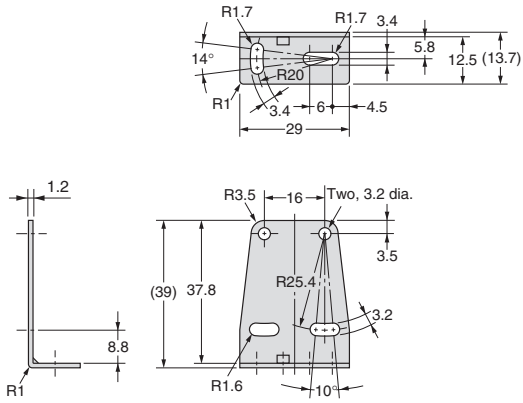
E39-L96



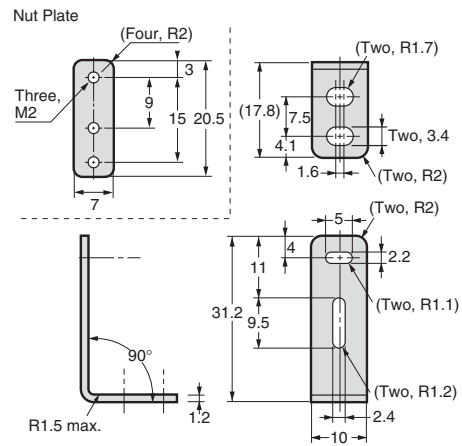
E39-L98 (Vertical)



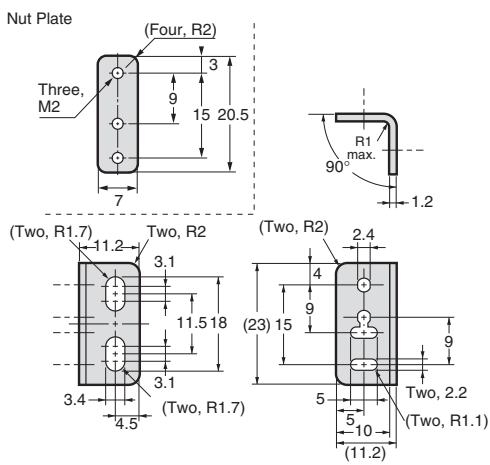
E39-L104



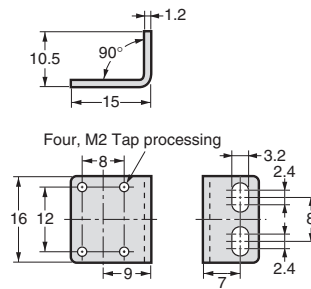
E39-L116



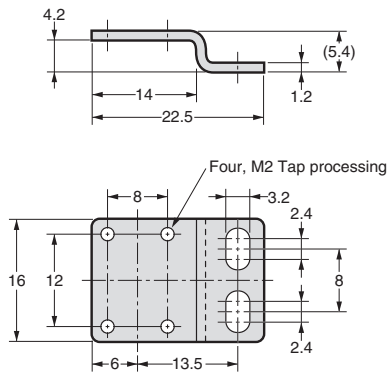
E39-L117



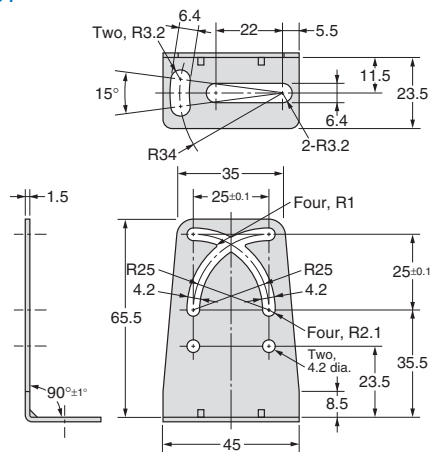
E39-L119



E39-L120

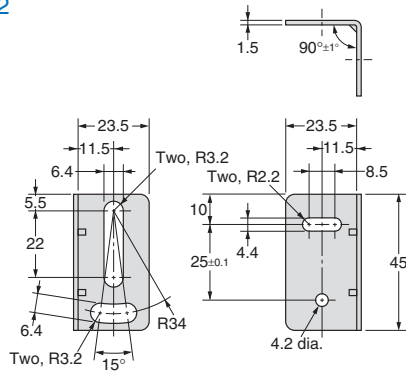


E39-L131

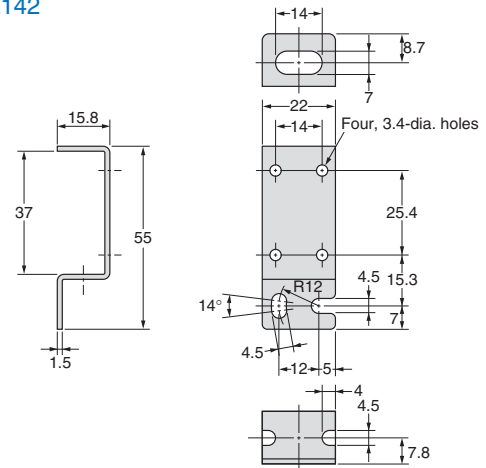




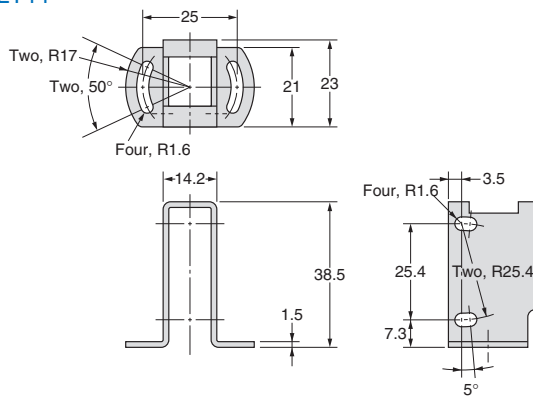
E39-L132



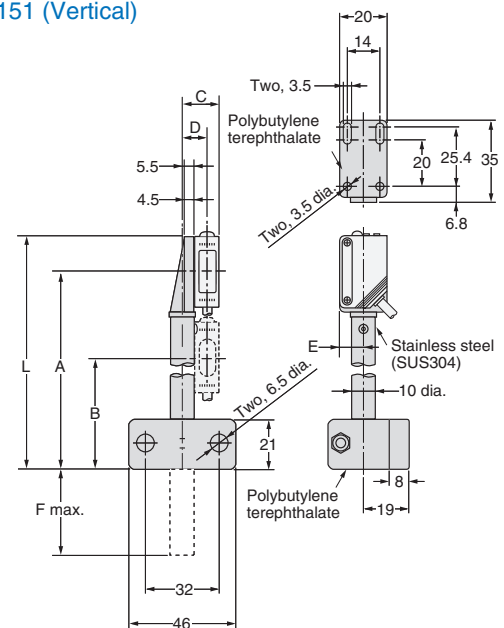
E39-L142



E39-L144



E39-L150 (Vertical)  
E39-L151 (Vertical)



E39-L150








Model (typical)	A	B	C	D	E	F
E3Z	84.5	47.5	16.3	10.9	10	37

Model	L
E39-L150	100
E39-L151	200












Reflectors for retro-reflective photoelectric sensors

# E39-R

Accessories

Shape	Type	Housing material	Features	Size in mm	Applicable Sensor	Order code
	General purpose reflectors	ABS base Acrylic surface	Surface screw mounting (diagonal holes)	40x60x7.5	Retro-reflective photoelectric sensors – without M.S.R Retro-reflective photoelectric sensors – with M.S.R. <sup>*1</sup>	E39-R1S
			Surface screw mounting (holes on one side only)	35.4x42.3x8		E39-R9
			Surface screw mounting (holes on one side only)	51.4x60.3x8.5		E39-R42
	Small size		Side screw mounting or surface selfadhesive	41.8x22.5x11		E39-R3
			Side screw mounting or surface selfadhesive	23x13.7x4.9		E39-R4
	Large size		Surface screw mounting	Surface screw mounting		100x100x9
		84.5x84.5x8.7			E39-R40	

\*1 Mirror Surface Rejection (MSR) is realized by using polarization filters

Shape	Type	Housing material	Features	Size in mm	Applicable Sensor	Order code
	<b>High precision</b>	ABS base Acrylic surface	Microtripel for improved performance with fine beam sensors	52x40x4.8	Recommended for fine beam coaxial models (E3C-LR, E3Z-LR, E3T-SR4)	E39-R6
				30x45		E39-R12
				14x23x1		E39-R37-CA
				12x24		E39-R13
	<b>Simple mounting</b>	ABS base Acrylic surface	Round shape with centered mounting hole for simple screw mounting	Diameter: 84 Depth: 7.4	Photoelectric sensors with and without M.S.R. *1	E39-R7
	<b>Snap mounting</b>		Snap mounting for fast installation	Diameter: 30 Diameter of snap mount tool: 5		Recommended for snap mounting sensor E3FZ
	<b>Enhanced detergent resistance</b>	PVC	Surface screw mounting IP69k after DIN 40050 part 9	40x60x7.5	Recommended for harsh environment sensors	E39-R50
				20x60x6		E39-R51
	<b>Highest detergent resistance</b>	SUS316L Borosilicat	Surface screw mounting	43x30x5		E39-R16
	<b>Heat resistant</b>	Borosilicat	Surface screw mounting 450°C heat resistance Suitable for vacuum environment	95x51x8		E39-R47
	<b>Non-fogging reflector</b>	ABS Acrylic surface	Anti-fogging coating	40x60x7.5	E39-R1K	

\*1 Mirror Surface Rejection (MSR) is realized by using polarization filters

Shape	Type	Housing material	Features	Size in mm	Applicable Sensor	Order code				
	<b>Special polarizing</b>	ABS base PMMA surface	Special polarizing filter to PET	40x80x8.5	E3ZM-B	E39-RP1				
	<b>General purpose tape reflectors</b>	Acrylic	Self adhesive Pre cut	35x10x0.7	Photoelectric sensors with and without M.S.R. <sup>*1</sup>	E39-RS1				
				40x35x0.7		Optimised for E3T-SR4	E39-RS1-CA			
				80x70x0.6			E39-RS2			
				25 mm x 5 m			E39-RS2-CA			
				25 mm x 22.8 m			E39-RS3			
				50 mm x 5 m			Optimised for E3T-SR4	E39-RS3-CA		
				50 mm x 22.8 m				E39-RS25 5 m		
				<b>High precision tape reflectors</b>			Self adhesive Pre cut	195x22	Recommended for fine beam and laser sensors (E3Z-LR, E3C, E3X)	E39-RS4
								108x46		E39-RS5

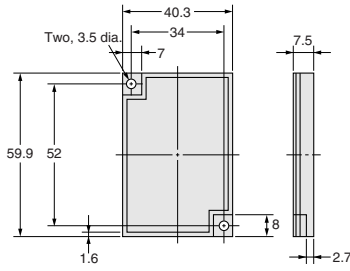
\*1 Mirror Surface Rejection (MSR) is realized by using polarization filters

Dimensions

E39-R1S  
E39-R1K \*



Material, reflective surface: acrylic  
Rear surface: ABS

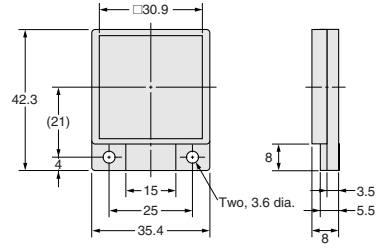


\*E39-R1 only  
Coating on reflective surface

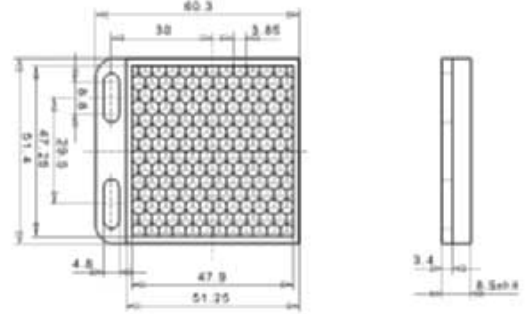
E39-R9



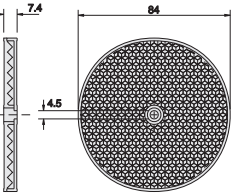
Material, reflective surface: acrylic  
Rear surface: ABS



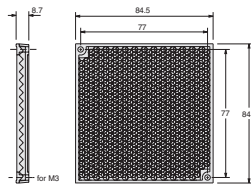
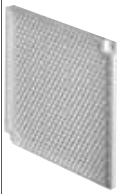
E39-R42



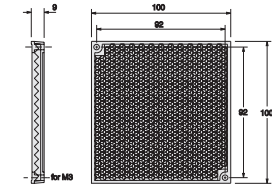
E39-R7



E39-R40



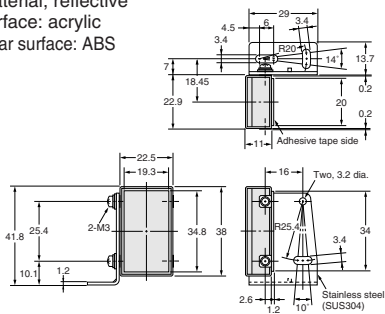
E39-R8



E39-R3



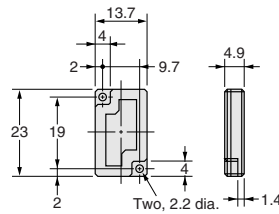
Material, reflective surface: acrylic  
Rear surface: ABS



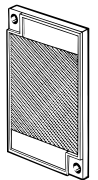
E39-R4



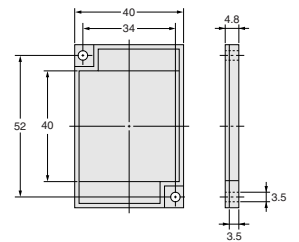
Material:  
Reflective surface: acrylic  
Rear surface: ABS



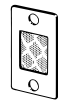
E39-R6



Material, reflective surface: acrylic  
Rear surface: ABS

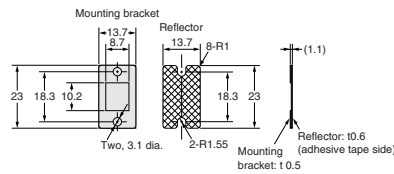


E39-R37-CA

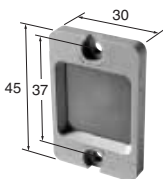


Material:  
Mounting plate: stainless steel (SUS301)  
Reflective surface: acrylic

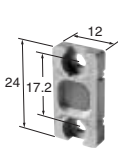
Note: The reflective plate and mounting plate (1) come as a set.



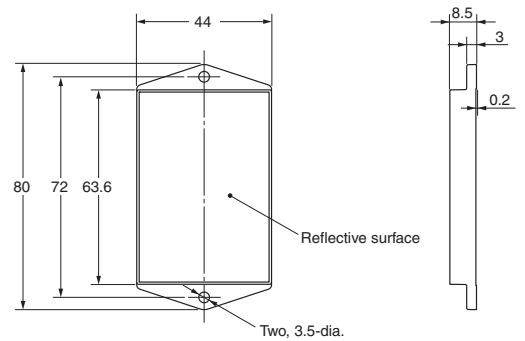
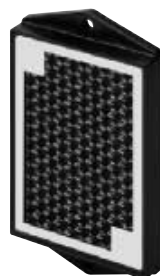
E39-R12-R14



E39-R13



E39-RP1



Cat. No. E26E-EN2-04

**In the interest of product improvement, specifications are subject to change without notice.**

---

**OMRON EUROPE B.V.**

Wegalaan 67-69,  
NL-2132 JD, Hoofddorp,  
The Netherlands  
Phone: +31 23 568 13 00  
Fax: +31 23 568 13 88  
[www.eu.omron.com](http://www.eu.omron.com)

---

Компания «Океан Электроники» предлагает заключение долгосрочных отношений при поставках импортных электронных компонентов на взаимовыгодных условиях!

Наши преимущества:

- Поставка оригинальных импортных электронных компонентов напрямую с производств Америки, Европы и Азии, а так же с крупнейших складов мира;
- Широкая линейка поставок активных и пассивных импортных электронных компонентов (более 30 млн. наименований);
- Поставка сложных, дефицитных, либо снятых с производства позиций;
- Оперативные сроки поставки под заказ (от 5 рабочих дней);
- Экспресс доставка в любую точку России;
- Помощь Конструкторского Отдела и консультации квалифицированных инженеров;
- Техническая поддержка проекта, помощь в подборе аналогов, поставка прототипов;
- Поставка электронных компонентов под контролем ВП;
- Система менеджмента качества сертифицирована по Международному стандарту ISO 9001;
- При необходимости вся продукция военного и аэрокосмического назначения проходит испытания и сертификацию в лаборатории (по согласованию с заказчиком);
- Поставка специализированных компонентов военного и аэрокосмического уровня качества (Xilinx, Altera, Analog Devices, Intersil, Interpoint, Microsemi, Actel, Aeroflex, Peregrine, VPT, Syfer, Eurofarad, Texas Instruments, MS Kennedy, Miteq, Cobham, E2V, MA-COM, Hittite, Mini-Circuits, General Dynamics и др.);

Компания «Океан Электроники» является официальным дистрибьютором и эксклюзивным представителем в России одного из крупнейших производителей разъемов военного и аэрокосмического назначения «JONHON», а так же официальным дистрибьютором и эксклюзивным представителем в России производителя высокотехнологичных и надежных решений для передачи СВЧ сигналов «FORSTAR».



## JONHON

«JONHON» (основан в 1970 г.)

Разъемы специального, военного и аэрокосмического назначения:

(Применяются в военной, авиационной, аэрокосмической, морской, железнодорожной, горно- и нефтедобывающей отраслях промышленности)

«FORSTAR» (основан в 1998 г.)

ВЧ соединители, коаксиальные кабели, кабельные сборки и микроволновые компоненты:

(Применяются в телекоммуникациях гражданского и специального назначения, в средствах связи, РЛС, а так же военной, авиационной и аэрокосмической отраслях промышленности).



Телефон: 8 (812) 309-75-97 (многоканальный)

Факс: 8 (812) 320-03-32

Электронная почта: [ocean@oceanchips.ru](mailto:ocean@oceanchips.ru)

Web: <http://oceanchips.ru/>

Адрес: 198099, г. Санкт-Петербург, ул. Калинина, д. 2, корп. 4, лит. А