

**PULSE-WIDTH-MODULATION CONTROL CIRCUITS**

**AZ494A/C**

**General Description**

The AZ494A/C is a voltage mode pulse width modulation switching regulator control circuit designed primarily for power supply control.

The AZ494A/C consists of a reference voltage circuit, two error amplifiers, an on-chip adjustable oscillator, a dead-time control (DTC) comparator, a pulse-steering control flip-flop, and an output control circuit. The precision of voltage reference ( $V_{REF}$ ) is improved up to  $\pm 1\%$  through trimming and this provides a better output voltage regulation. The AZ494A/C provides for push-pull or single-ended output operation, which can be selected through the output control.

The difference between AZ494A and AZ494C is that they have 4.95V and 5V reference voltage respectively.

The AZ494A/C is available in standard packages of DIP-16 and SOIC-16.

**Features**

- Stable 4.95V/5V Reference Voltage Trimmed to  $\pm 1.0\%$  Accuracy
- Uncommitted Output TR for 200mA Sink or Source Current
- Single-End or Push-Pull Operation Selected by Output Control
- Internal Circuitry Prohibits Double Pulse at Either Output
- Complete PWM Control Circuit with Variable Duty Cycle
- On-Chip Oscillator with Master or Slave Operation

**Applications**

- SMPS
- Back Light Inverter
- Charger

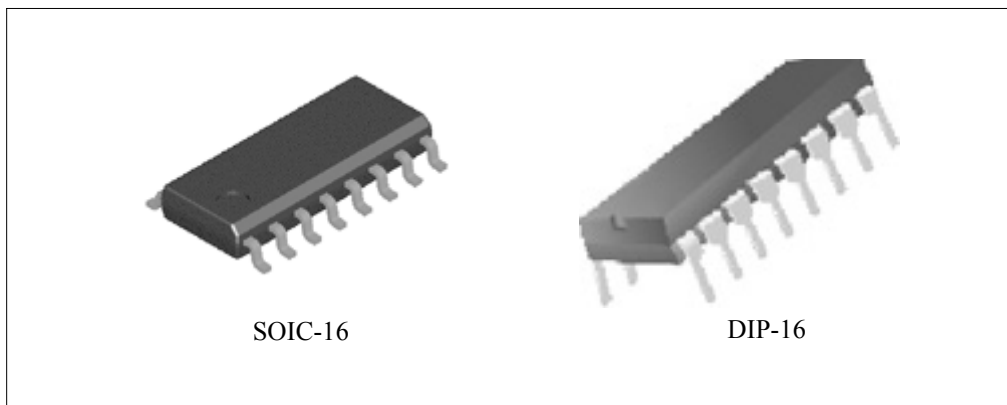


Figure 1. Package Types of AZ494A/C

**PULSE-WIDTH-MODULATION CONTROL CIRCUITS**

**AZ494A/C**

**Pin Configuration**

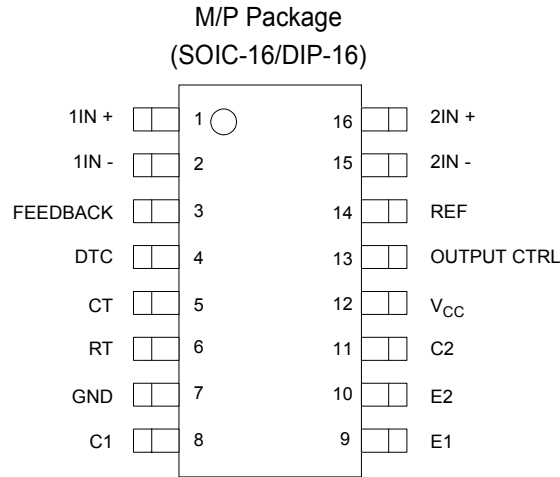


Figure 2. Pin Configuration of AZ494A/C (Top View)

**Output Function Control Table**

| Signal for Output Control | Output Function                 |
|---------------------------|---------------------------------|
| $V_I = GND$               | Single-ended or parallel output |
| $V_I = V_{REF}$           | Normal push-pull operation      |

**Functional Block Diagram**



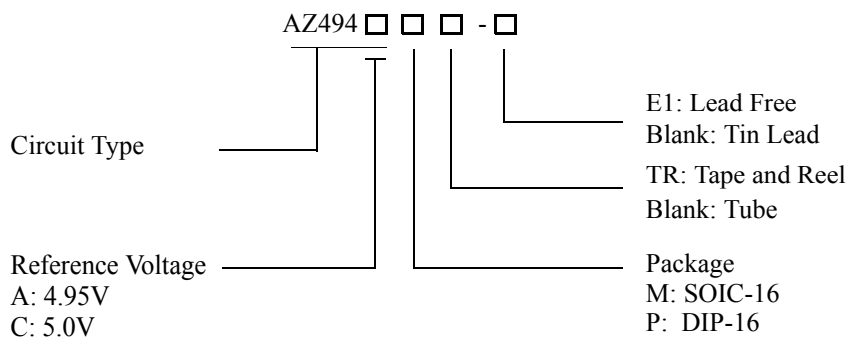
Figure 3. Functional Block Diagram of AZ494A/C



**PULSE-WIDTH-MODULATION CONTROL CIRCUITS**

**AZ494A/C**

**Ordering Information**



| Package | Temperature Range | Part Number |              | Marking ID |            | Packing Type |
|---------|-------------------|-------------|--------------|------------|------------|--------------|
|         |                   | Tin Lead    | Lead Free    | Tin Lead   | Lead Free  |              |
| SOIC-16 | -40 to 85°C       | AZ494AM     | AZ494AM-E1   | AZ494AM    | AZ494AM-E1 | Tube         |
|         |                   | AZ494AMTR   | AZ494AMTR-E1 | AZ494AM    | AZ494AM-E1 | Tape & Reel  |
|         |                   | AZ494CM     | AZ494CM-E1   | AZ494CM    | AZ494CM-E1 | Tube         |
|         |                   | AZ494CMTR   | AZ494CMTR-E1 | AZ494CM    | AZ494CM-E1 | Tape & Reel  |
| DIP-16  |                   | AZ494AP     | AZ494AP-E1   | AZ494AP    | AZ494AP-E1 | Tube         |
|         |                   | AZ494CP     | AZ494CP-E1   | AZ494CP    | AZ494CP-E1 | Tube         |

BCD Semiconductor's Pb-free products, as designated with "E1" suffix in the part number, are RoHS compliant.

**PULSE-WIDTH-MODULATION CONTROL CIRCUITS****AZ494A/C****Absolute Maximum Ratings (Note 1)**

| Parameter                                       | Symbol          | Value                  | Unit |
|---|-----------------|------------------------|------|
| Supply Voltage (Note 2)                         | $V_{CC}$        | 40                     | V    |
| Amplifier Input Voltage                         | $V_I$           | -0.3 to $V_{CC} + 0.3$ | V    |
| Collector Output Voltage                        | $V_O$           | 40                     | V    |
| Collector Output Current                        | $I_O$           | 250                    | mA   |
| Package Thermal Impedance (Note 3)              | $R_{\theta JA}$ | M Package              | 73   |
|   |                 | P Package              | 67   |
| Lead Temperature 1.6mm from case for 10 seconds |                 | 260                    | °C   |
| Storage Temperature Range                       | $T_{STG}$       | -65 to 150             | °C   |
| ESD rating (Machine Model)                      |                 | 200                    | V    |

Note 1: Stresses greater than those listed under "Absolute Maximum Ratings" may cause permanent damage to the device. These are stress ratings only, and functional operation of the device at these or any other conditions beyond those indicated under "Recommended Operating Conditions" is not implied. Exposure to "Absolute Maximum Ratings" for extended periods may affect device reliability.

Note 2: All voltage values are with respect to the network ground terminal.

Note 3: Maximum power dissipation is a function of  $T_J(\max)$ ,  $R_{\theta JA}$  and  $T_A$ . The maximum allowable power dissipation at any allowable ambient temperature is  $P_D = (T_J(\max) - T_A) / R_{\theta JA}$ . Operating at the absolute maximum  $T_J$  of 150°C can affect reliability.

**Recommended Operating Conditions**

| Parameter                                  | Symbol           | Min     | Typ   | Max          | Unit |
|--|------------------|---------|-------|--------------|------|
| Supply Voltage                             | $V_{CC}$         | 7       | 15    | 36           | V    |
| Collector Output Voltage                   | $V_{C1}, V_{C2}$ |         | 30    | 36           | V    |
| Collector Output Current (Each Transistor) | $I_{C1}, I_{C2}$ |         |       | 200          | mA   |
| Amplifier Input Voltage                    | $V_I$            | 0.3     |       | $V_{CC} - 2$ | V    |
| Current Into Feedback Terminal             | $I_{FB}$         |         |       | 0.3          | mA   |
| Reference Output Current                   | $I_{REF}$        |         |       | 10           | mA   |
| Timing Capacitor                           | $C_T$            | 0.00047 | 0.001 | 10           | μF   |
| Timing Resistor                            | $R_T$            | 1.8     | 30    | 500          | KΩ   |
| Oscillator Frequency                       | $f_{osc}$        | 1.0     | 40    | 200          | KHz  |
| PWM Input Voltage (Pin 3, 4, 14)           |                  | 0.3     |       | 5.3          | V    |
| Operating Free-Air Temperature             | $T_A$            | -40     |       | 85           | °C   |



**PULSE-WIDTH-MODULATION CONTROL CIRCUITS**

**AZ494A/C**

**Electrical Characteristics**

$T_A = 25^{\circ}\text{C}$ ,  $V_{CC}=20\text{V}$ ,  $f=10\text{KHz}$  unless otherwise noted.

| Parameter                           | Symbol                | Conditions   | Min  | Typ  | Max        | Unit          |
|-------------------------------------|-----------------------|--|------|------|------------|---------------|
| <b>Reference Section</b>            |                       |  |      |      |            |               |
| Output Reference Voltage for AZ494A | $V_{REF}$             | $I_{REF}=1\text{mA}$   | 4.90 | 4.95 | 5.0        | V             |
|                                     |                       | $I_{REF}=1\text{mA}$ , $T_A = -40$ to $85^{\circ}\text{C}$                           | 4.85 | 4.95 | 5.05       | V             |
| Output Reference Voltage for AZ494C | $V_{REF}$             | $I_{REF}=1\text{mA}$   | 4.95 | 5.0  | 5.05       | V             |
|                                     |                       | $I_{REF}=1\text{mA}$ , $T_A = -40$ to $85^{\circ}\text{C}$                           | 4.9  | 5.0  | 5.1        | V             |
| Line Regulation                     | $R_{LINE}$            | $V_{CC} = 7\text{V}$ to $36\text{V}$   |      | 2    | 25         | mV            |
| Load Regulation                     | $R_{LOAD}$            | $I_{REF}=1\text{mA}$ to $10\text{mA}$  |      | 1    | 15         | mV            |
| Short-Circuit Output Current        | $I_{SC}$              | $V_{REF} = 0\text{V}$  | 10   | 35   | 50         | mA            |
| <b>Oscillator Section</b>           |                       |  |      |      |            |               |
| Oscillator Frequency                | $f_{OSC}$             | $C_T=0.001\mu\text{F}$ , $R_T=30\text{K}\Omega$                                      |      | 40   |            | KHz           |
|                                     |                       | $C_T=0.01\mu\text{F}$ , $R_T=12\text{K}\Omega$                                       | 9.2  | 10   | 10.8       |               |
|                                     |                       | $C_T=0.01\mu\text{F}$ , $R_T=12\text{K}\Omega$ , $T_A = -40$ to $85^{\circ}\text{C}$ | 9.0  |      | 12         |               |
| Frequency Change with Temperature   | $\Delta f / \Delta T$ | $C_T=0.01\mu\text{F}$ , $R_T=12\text{K}\Omega$ , $T_A = -40$ to $85^{\circ}\text{C}$ |      |      | 1          | %             |
| <b>Dead-Time Control Section</b>    |                       |  |      |      |            |               |
| Input Bias Current                  | $I_{BIAS}$            | $V_{CC}=15\text{V}$ , $V_4= 0$ to $5.25\text{V}$                                     |      | -2   | -10        | $\mu\text{A}$ |
| Maximum Duty Cycle                  | $D(\text{MAX})$       | $V_{CC}=15\text{V}$ , $V_4= 0\text{V}$ , $\text{Pin } 13= V_{REF}$                   | 45   |      |            | %             |
| Input Threshold Voltage             | $V_{ITH}$             | Zero Duty Cycle  |      | 3    | 3.3        | V             |
|                                     |                       | Maximum Duty Cycle   | 0    |      |            |               |
| <b>Error-Amplifier Section</b>      |                       |  |      |      |            |               |
| Input Offset Voltage                | $V_{IO}$              | $V_3 = 2.5\text{V}$  |      | 2    | 10         | mV            |
| Input Offset Current                | $I_{IO}$              | $V_3 = 2.5\text{V}$  |      | 25   | 250        | nA            |
| Input Bias Current                  | $I_{BIAS}$            | $V_3 = 2.5\text{V}$  |      | 0.2  | 1          | $\mu\text{A}$ |
| Common-Mode Input Voltage Range     | $V_{CM}$              | $V_{CC}=7\text{V}$ to $36\text{V}$   | -0.3 |      | $V_{CC}-2$ | V             |
| Open-Loop Voltage Gain              | $G_{VO}$              | $V_O = 0.5\text{V}$ to $3.5\text{V}$   | 70   | 95   |            | dB            |
| Unity-Gain Bandwidth                | BW                    |  |      | 650  |            | KHz           |
| Common-Mode Rejection Ratio         | CMRR                  |  | 65   | 80   |            | dB            |
| Output Sink Current (Feedback)      | $I_{SINK}$            | $V_{ID} = -15\text{mV}$ to $-5\text{V}$ , $V_3 = 0.7\text{V}$                        | -0.3 | -0.7 |            | mA            |
| Output Source Current (Feedback)    | $I_{SOURCE}$          | $V_{ID}=15\text{mV}$ to $5\text{V}$ , $V_3 = 3.5\text{V}$                            | 2    |      |            | mA            |

**PULSE-WIDTH-MODULATION CONTROL CIRCUITS****AZ494A/C****Electrical Characteristics (Continued)**

| Parameter                               | Symbol           | Conditions                                    | Min  | Typ  | Max  | Unit    |
|---|------------------|---|------|------|------|---------|
| <b>PWM Comparator Section</b>           |                  |   |      |      |      |         |
| Input Threshold Voltage                 | $V_{ITH}$        | Zero duty cycle                               |      | 4    | 4.5  | V       |
| Input Sink Current                      | $I_{SINK}$       | $V_3 = 0.7V$                                  | -0.3 | -0.7 |      | mA      |
| <b>Output Section</b>                   |                  |   |      |      |      |         |
| Output Saturation Voltage               | Common Emitter   | $V_{CE(SAT)}$<br>$V_E = 0V, I_C = 200mA$      |      | 1.1  | 1.3  | V       |
|   | Emitter Follower | $V_{CC(SAT)}$<br>$V_{CC} = 15V, I_E = -200mA$ |      | 1.5  | 2.5  |         |
| Collector Off-State Current             | $I_C(OFF)$       | $V_{CE} = 36V, V_{CC} = 36V$                  |      | 2    | 100  | $\mu A$ |
| Emitter Off-State Current               | $I_E(OFF)$       | $V_{CC} = V_C = 36V, V_E = 0$                 |      |      | -100 | $\mu A$ |
| <b>Total Device</b>                     |                  |   |      |      |      |         |
| Supply Current                          | $I_{CC}$         | Pin 6 = $V_{REF}$ , $V_{CC} = 15V$            |      | 6    | 10   | mA      |
| <b>Output Switching Characteristics</b> |                  |   |      |      |      |         |
| Rise Time                               | $t_R$            | Common Emitter<br>Common Collector            |      | 100  | 200  | ns      |
| Fall Time                               | $t_F$            | Common Emitter<br>Common Collector            |      | 25   | 100  | ns      |

**Parametr Measurement information**



Figure 4. Operational Test Circuit and Waveforms

**Parametr Measurement information (Continued)**



Figure 5. Error Amplifier Characteristics



Note A:  $C_L$  includes probe and jig capacitance.

Figure 6. Common-Emitter Configuration



Note A:  $C_L$  includes probe and jig capacitance.

Figure 7. Emitter-Follower Configuration



**Typical Performance Characteristics**

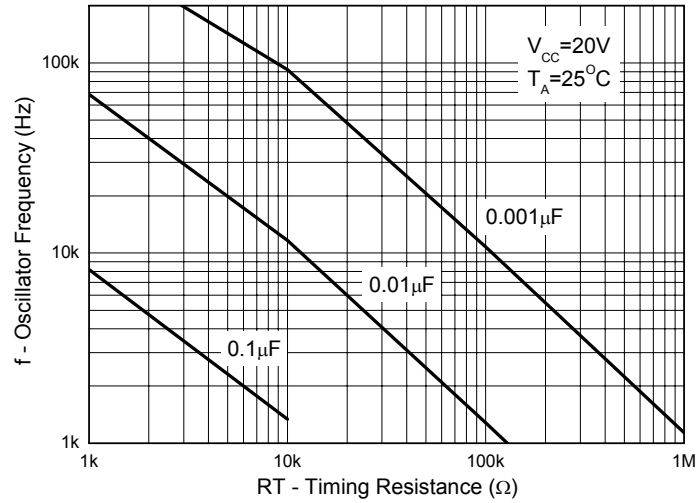


Figure 8. Oscillator Frequency vs. RT and CT

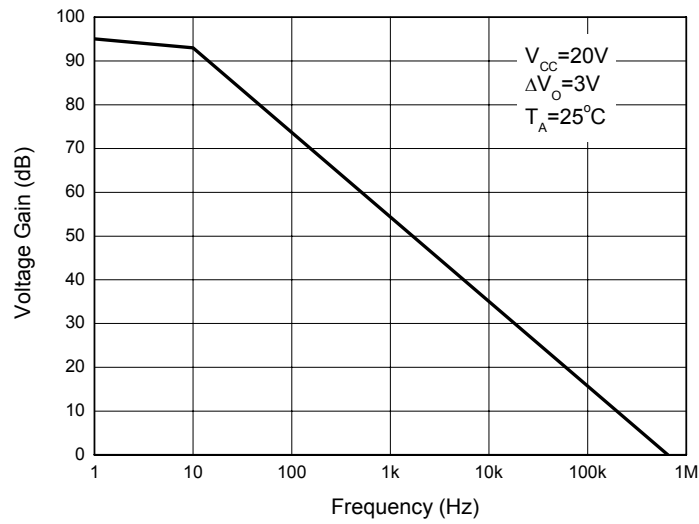


Figure 9. Error Amplifier Small-Signal Voltage Gain vs. Frequency

**Typical Applications**

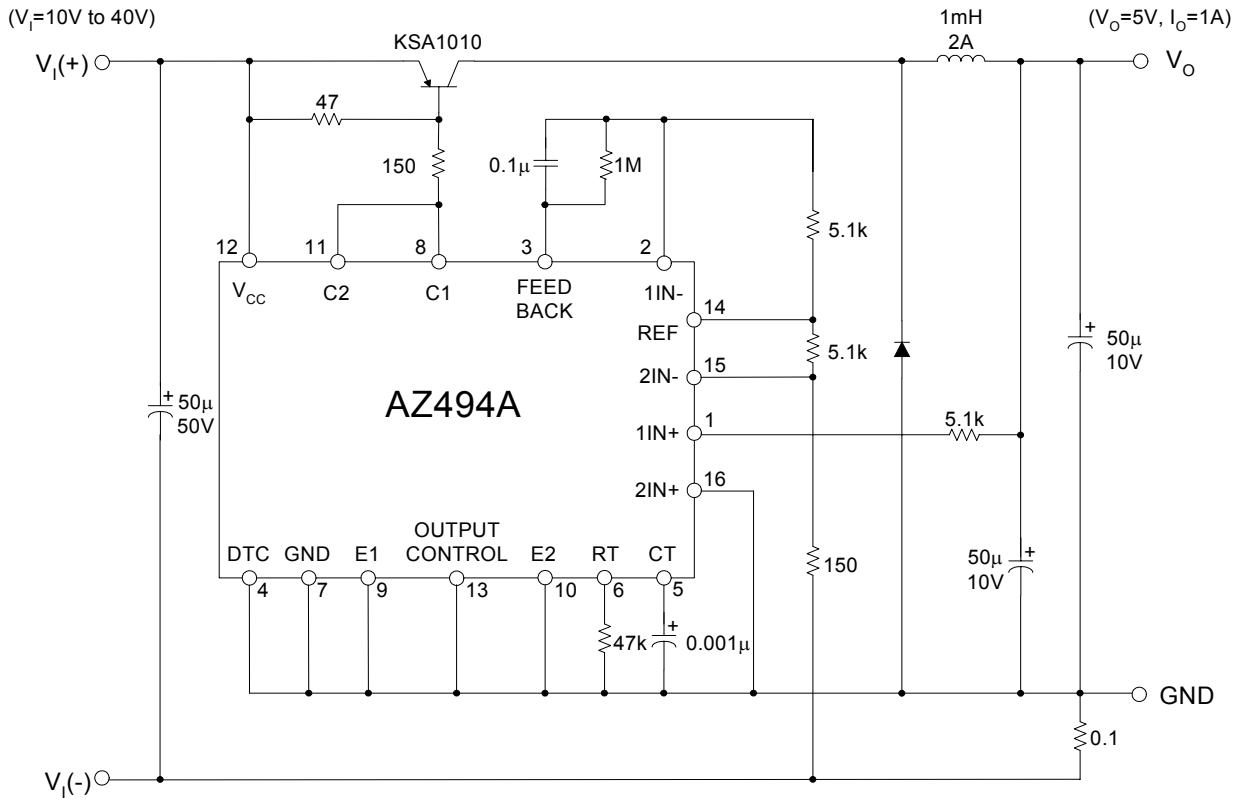


Figure 10. Pulse Width Modulated Step-Down Converter



**Mechanical Dimensions**

**SOIC-16**

**Unit: mm(inch)**



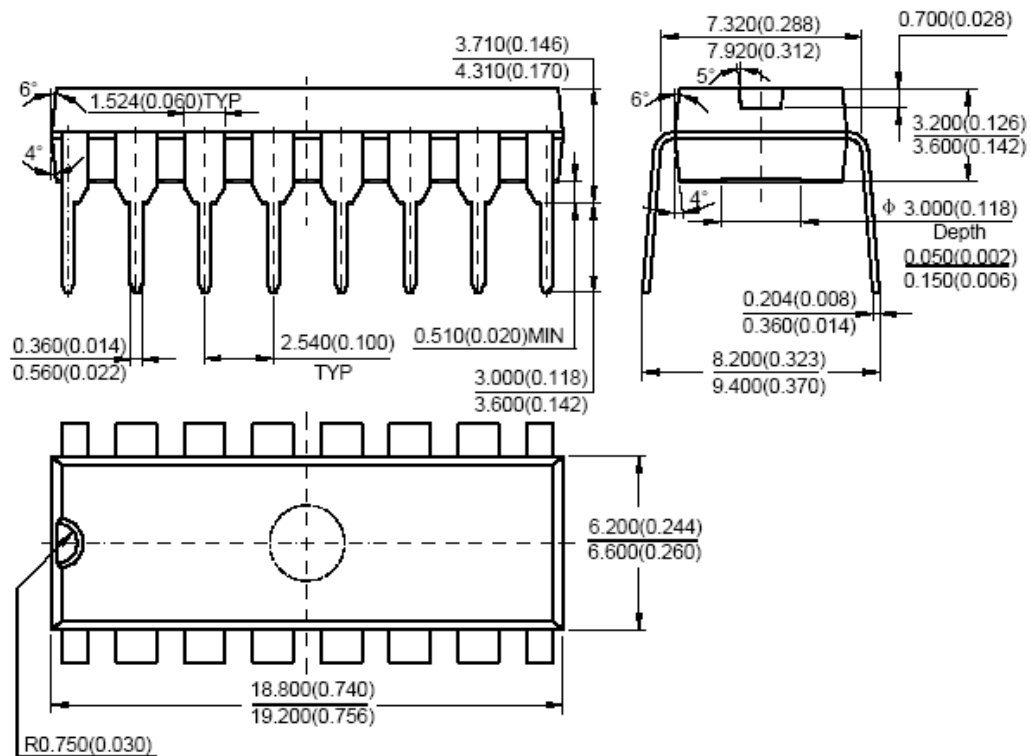
Note: Eject hole, oriented hole and mold mark is optional.



**Mechanical Dimensions (Continued)**

**DIP-16**

**Unit: mm(inch)**



Note: Eject hole, oriented hole and mold mark is optional.



## **BCD Semiconductor Manufacturing Limited**

<http://www.bcdsemi.com>

### **IMPORTANT NOTICE**

BCD Semiconductor Manufacturing Limited reserves the right to make changes without further notice to any products or specifications herein. BCD Semiconductor Manufacturing Limited does not assume any responsibility for use of any its products for any particular purpose, nor does BCD Semiconductor Manufacturing Limited assume any liability arising out of the application or use of any its products or circuits. BCD Semiconductor Manufacturing Limited does not convey any license under its patent rights or other rights nor the rights of others.

---

#### **MAIN SITE**

##### **- Headquarters**

##### **BCD Semiconductor Manufacturing Limited**

No. 1600, Zi Xing Road, Shanghai Zizhu Science-based Industrial Park, 200241, China  
Tel: +86-21-24162266, Fax: +86-21-24162277

##### **- Wafer Fab**

##### **Shanghai SIM-BCD Semiconductor Manufacturing Co., Ltd.**

800 Yi Shan Road, Shanghai 200233, China  
Tel: +86-21-6485 1491, Fax: +86-21-5450 0008

#### **REGIONAL SALES OFFICE**

##### **Shenzhen Office**

##### **Shanghai SIM-BCD Semiconductor Manufacturing Co., Ltd., Shenzhen Office**

Unit A Room 1203, Skyworth Bldg., Gaoxin Ave. 1.S., Nanshan District, Shenzhen, China  
Tel: +86-755-8826 7951  
Fax: +86-755-8826 7865

##### **Taiwan Office**

##### **BCD Semiconductor (Taiwan) Company Limited**

4F, 298-1, Rui Guang Road, Nei-Hu District, Taipei, Taiwan  
Tel: +886-2-2656 2808  
Fax: +886-2-2656 2806

##### **USA Office**

##### **BCD Semiconductor Corp.**

30920 Huntwood Ave. Hayward, CA 94544, USA  
Tel : +1-510-324-2988  
Fax: +1-510-324-2788

Компания «Океан Электроники» предлагает заключение долгосрочных отношений при поставках импортных электронных компонентов на взаимовыгодных условиях!

Наши преимущества:

- Поставка оригинальных импортных электронных компонентов напрямую с производств Америки, Европы и Азии, а так же с крупнейших складов мира;
- Широкая линейка поставок активных и пассивных импортных электронных компонентов (более 30 млн. наименований);
- Поставка сложных, дефицитных, либо снятых с производства позиций;
- Оперативные сроки поставки под заказ (от 5 рабочих дней);
- Экспресс доставка в любую точку России;
- Помощь Конструкторского Отдела и консультации квалифицированных инженеров;
- Техническая поддержка проекта, помощь в подборе аналогов, поставка прототипов;
- Поставка электронных компонентов под контролем ВП;
- Система менеджмента качества сертифицирована по Международному стандарту ISO 9001;
- При необходимости вся продукция военного и аэрокосмического назначения проходит испытания и сертификацию в лаборатории (по согласованию с заказчиком);
- Поставка специализированных компонентов военного и аэрокосмического уровня качества (Xilinx, Altera, Analog Devices, Intersil, Interpoint, Microsemi, Actel, Aeroflex, Peregrine, VPT, Syfer, Eurofarad, Texas Instruments, MS Kennedy, Miteq, Cobham, E2V, MA-COM, Hittite, Mini-Circuits, General Dynamics и др.);

Компания «Океан Электроники» является официальным дистрибьютором и эксклюзивным представителем в России одного из крупнейших производителей разъемов военного и аэрокосмического назначения «**JONHON**», а так же официальным дистрибьютором и эксклюзивным представителем в России производителя высокотехнологичных и надежных решений для передачи СВЧ сигналов «**FORSTAR**».



## JONHON

«**JONHON**» (основан в 1970 г.)

Разъемы специального, военного и аэрокосмического назначения:

(Применяются в военной, авиационной, аэрокосмической, морской, железнодорожной, горно- и нефтедобывающей отраслях промышленности)

«**FORSTAR**» (основан в 1998 г.)

ВЧ соединители, коаксиальные кабели,  
кабельные сборки и микроволновые компоненты:

(Применяются в телекоммуникациях гражданского и специального назначения, в средствах связи, РЛС, а так же военной, авиационной и аэрокосмической отраслях промышленности).



Телефон: 8 (812) 309-75-97 (многоканальный)

Факс: 8 (812) 320-03-32

Электронная почта: [ocean@oceanchips.ru](mailto:ocean@oceanchips.ru)

Web: <http://oceanchips.ru/>

Адрес: 198099, г. Санкт-Петербург, ул. Калинина, д. 2, корп. 4, лит. А