

TOSHIBA CMOS Linear Integrated Circuit Silicon Monolithic

TCR15AG series

1.5 A CMOS Ultra Low Dropout, Ultra High ripple rejection ratio Regulator

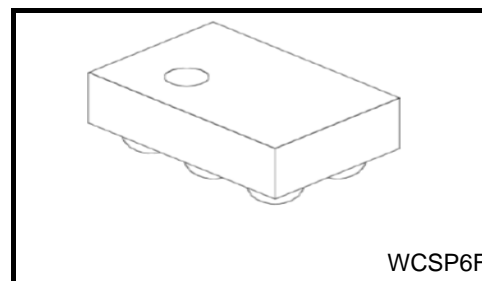
The TCR15AG series are CMOS single output voltage regulators with an on/off control input, featuring Ultra low dropout voltage, low inrush current and fast load transient response.

These voltage regulators are available in fixed output voltage type from 0.65 V to 3.6 V and adjustable output voltage type from 0.60 V to 3.6 V and capable of driving up to 1.5 A.

Other features include Overcurrent protection, Thermal shutdown, Inrush current reduction, Under voltage lockout and Auto-discharge.

The TCR15AG series are offered in the ultra-small package WCSP6F (0.8 mm x 1.2 mm (typ.), t: 0.33 mm (max))

As small ceramic input and output capacitors can be used with the TCR15AG series, these device are ideal for portable applications that require high-density board assembly such as cellular phones.



Weight : 0.61 mg (typ.)

Features

- Low Drop-Out voltage
- Wide range Output Voltage (Fixed Output Voltage 0.65 V to 3.6 V ,Adjustable Output Voltage 0.6 V to 3.6 V)
- Fast load transient response -100 / +115 mV (typ.)@ 0.01 A⇔1.5 A, C_{OUT} = 4.7 μF
- High Ripple rejection ratio 95 dB (typ.)@1 kHz
- Overcurrent protection
- Thermal shutdown
- Auto-discharge
- Inrush current reduction
- Output voltage soft start
- Under voltage lockout
- Pull down connection between CONTROL and GND
- Ultra Small package WCSP6F (0.8 mm x 1.2 mm (typ.), t: 0.33 mm (max))
- Stable with over 4.7 μF Input capacitor, 1.0 μF Bias capacitor and 4.7 μF output ceramic capacitor

Start of commercial production
2017-11

Absolute Maximum Ratings (Ta = 25°C)

| Characteristics | Symbol | Rating | Unit |
|---------------------------|--------------------|---------------------------------------|------|
| Bias voltage | V _{BIAS} | 6.0 | V |
| Input voltage | V _{IN} | 6.0 | V |
| Control voltage | V _{CT} | -0.3 to V _{BIAS} + 0.3 ≤ 6.0 | V |
| Adjustable voltage | V _{ADJ} | -0.3 to 6.0 | V |
| Sense voltage | V _{SENSE} | -0.3 to 6.0 | V |
| Output voltage | V _{OUT} | -0.3 to V _{IN} + 0.3 ≤ 6.0 | V |
| Power dissipation | P _D | 1.35 (Note 1) | W |
| Junction temperature | T _j | 150 | °C |
| Storage temperature range | T _{stg} | -55 to 150 | °C |

Note: Using continuously under heavy loads (e.g. the application of high temperature/current/voltage and the significant change in temperature, etc.) may cause this product to decrease in the reliability significantly even if the operating conditions (i.e. operating temperature/current/voltage, etc.) are within the absolute maximum ratings and the operating ranges.

Please design the appropriate reliability upon reviewing the Toshiba Semiconductor Reliability Handbook ("Handling Precautions"/"Derating Concept and Methods") and individual reliability data (i.e. reliability test report and estimated failure rate, etc).

Note1: Rating at mounting on a board
 (Glass epoxy board dimension : 40mm x 40mm , 4 layer
 Metal pattern ratio : approximately 70% each layer)

Operating Ranges

| Characteristics | Symbol | Rating | Unit |
|-----------------------|-------------------|--|---------------------------------|
| Bias voltage | V _{BIAS} | V _{OUT} ≤ 1.1 V, I _{OUT} = 1 mA | 2.5 to 5.5 |
| | | V _{OUT} > 1.1 V, I _{OUT} = 1 mA | V _{OUT} + 1.4 V to 5.5 |
| Input voltage | V _{IN} | V _{OUT} + V _{DO} to V _{BIAS} (Note 2) | V |
| Control voltage | V _{CT} | 0 to V _{BIAS} | V |
| Output voltage | V _{OUT} | 0.6 to 3.6 (Note 3) | V |
| Output current | I _{OUT} | 0 to 1.5 (Note 4) | A |
| Operation Temperature | T _{opr} | -40 to 85 | °C |
| Output Capacitance | C _{OUT} | ≥ 4.7μF | — |
| Input Capacitance | C _{IN} | ≥ 4.7μF | — |
| BIAS Capacitance | C _{BIAS} | ≥ 1.0μF | — |

Note2: I_{OUT} = 1 mA.

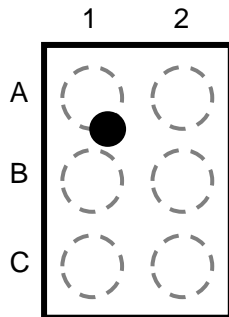
Please refer to Dropout Voltage (Page 7) and use it within Absolute Maximum Ratings Junction temperature and Operation Temperature Ranges.

Note3: For Output voltage adjustable type. Please refer to Application Note (Page 8).

Note4: Do not operate at or near the maximum recommended current and temperature ratings listed for extended periods of time. Exposure to such conditions may adversely impact product reliability and results in failures not covered by warranty. Maximum recommended DC current specification defined as lifetime average junction temperature of +45°C where max rated DC current = lifetime average current to avoid electro migration.

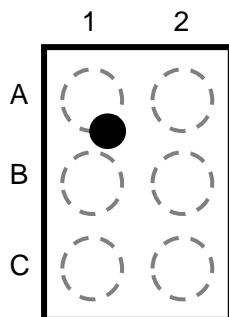
Pin Assignment (top view)

Fixed Output Voltage



| | 1 | 2 |
|---|-----------|------------|
| A | V_{OUT} | V_{IN} |
| B | SENSE | CONTROL |
| C | GND | V_{BIAS} |

Adjustable Output Voltage



| | 1 | 2 |
|---|-----------|------------|
| A | V_{OUT} | V_{IN} |
| B | V_{ADJ} | CONTROL |
| C | GND | V_{BIAS} |

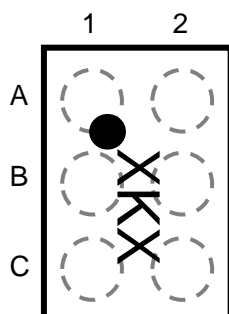
List of Products Number, Output voltage and Marking

| Product No. | V _{OUT} (V)(typ.) | Marking | Product No. | V _{OUT} (V)(typ.) | Marking |
|-------------|----------------------------|---------|-------------|----------------------------|---------|
| TCR15AG065* | 0.65 | 0KA | TCR15AG21* | 2.1 | 2K1 |
| TCR15AG07* | 0.7 | 0K7 | TCR15AG22* | 2.2 | 2K2 |
| TCR15AG075* | 0.75 | 0KB | TCR15AG23* | 2.3 | 2K3 |
| TCR15AG08* | 0.8 | 0K8 | TCR15AG24* | 2.4 | 2K4 |
| TCR15AG085* | 0.85 | 0KC | TCR15AG25 | 2.5 | 2K5 |
| TCR15AG09 | 0.9 | 0K9 | TCR15AG26* | 2.6 | 2K6 |
| TCR15AG095* | 0.95 | 0KF | TCR15AG27* | 2.7 | 2K7 |
| TCR15AG10 | 1.0 | 1K0 | TCR15AG275 | 2.75 | 0KP |
| TCR15AG105 | 1.05 | 0KH | TCR15AG28 | 2.8 | 2K8 |
| TCR15AG11 | 1.1 | 1K1 | TCR15AG285* | 2.85 | 0KR |
| TCR15AG115* | 1.15 | 0KJ | TCR15AG29* | 2.9 | 2K9 |
| TCR15AG12 | 1.2 | 1K2 | TCR15AG295* | 2.95 | 0KT |
| TCR15AG125* | 1.25 | 0KK | TCR15AG30 | 3.0 | 3K0 |
| TCR15AG13* | 1.3 | 1K3 | TCR15AG305* | 3.05 | 0KU |
| TCR15AG135* | 1.35 | 0KL | TCR15AG31* | 3.1 | 3K1 |
| TCR15AG14* | 1.4 | 1K4 | TCR15AG32* | 3.2 | 3K2 |
| TCR15AG15* | 1.5 | 1K5 | TCR15AG325* | 3.25 | 0KW |
| TCR15AG16* | 1.6 | 1K6 | TCR15AG33 | 3.3 | 3K3 |
| TCR15AG17* | 1.7 | 1K7 | TCR15AG335* | 3.35 | 0KX |
| TCR15AG175* | 1.75 | 0KM | TCR15AG34* | 3.4 | 3K4 |
| TCR15AG18 | 1.8 | 1K8 | TCR15AG35* | 3.5 | 3K5 |
| TCR15AG185 | 1.85 | 0KN | TCR15AG36* | 3.6 | 3K6 |
| TCR15AG19* | 1.9 | 1K9 | TCR15AGADJ | Adjustable | XXX |
| TCR15AG20* | 2.0 | 2K0 | | | |

* Please contact your local Toshiba representative if you are interested in products with * sign

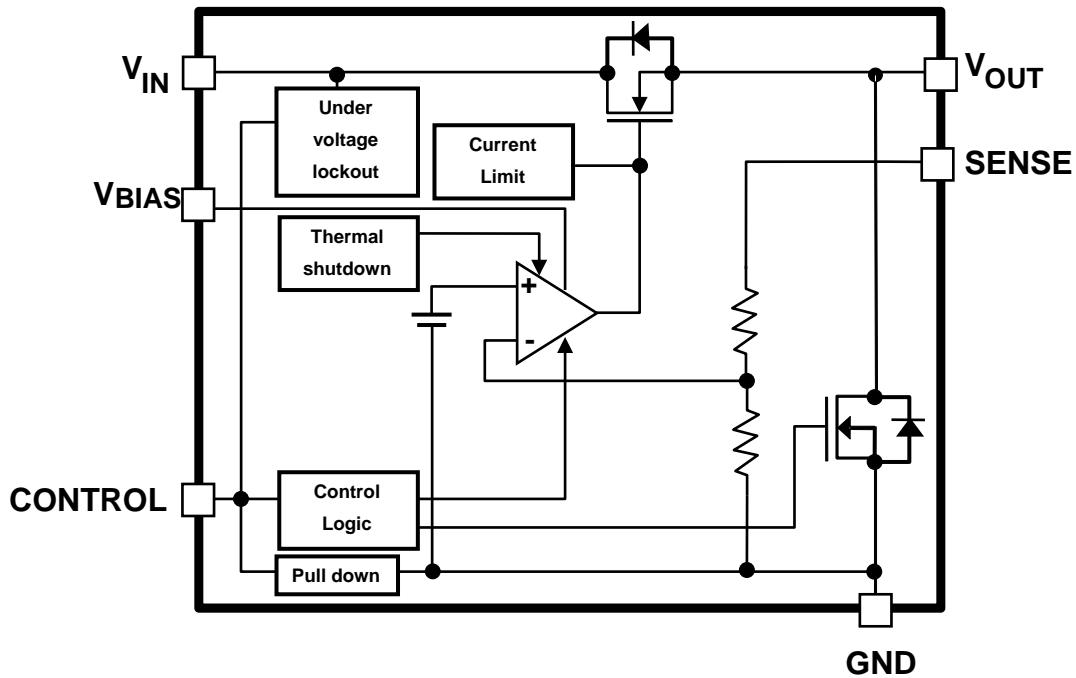
Top marking (top view)

Example: TCR15AGADJ (Adjustable output)

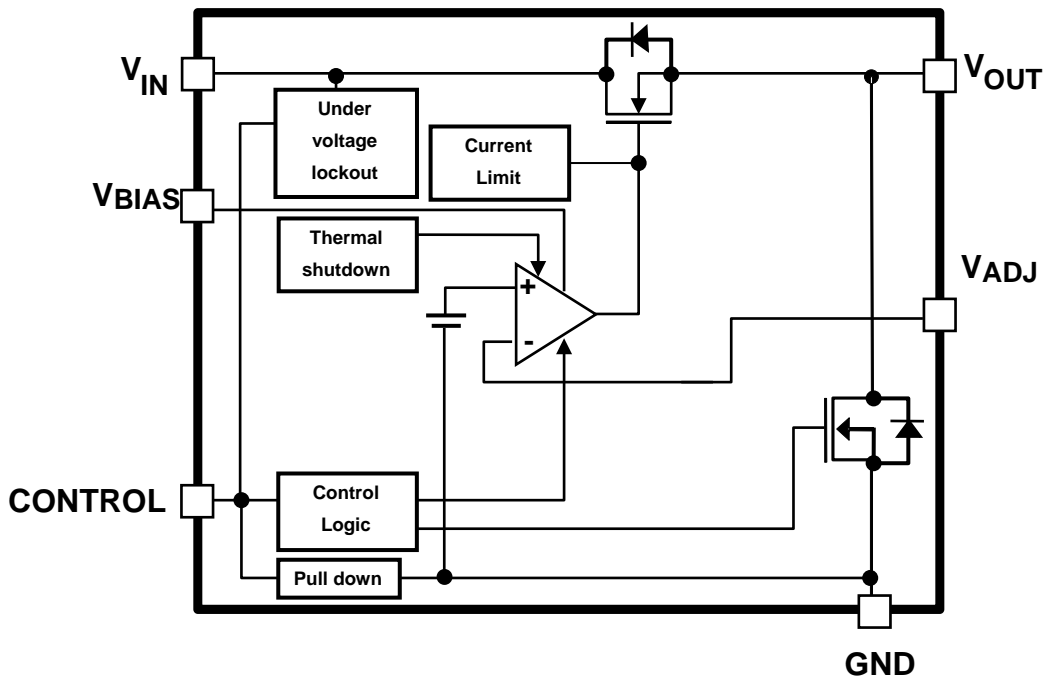


Block Diagram Operation Logic table

Fixed Output voltage



Ajustable Output voltage



Operation Logic table

| Control inputs | Output voltage(V) |
|----------------|-----------------------|
| High | VOUT |
| Low | 0V (Output discharge) |

Electrical Characteristics

(Unless otherwise specified, $V_{IN} = V_{OUT} + 0.5\text{ V}$, $I_{OUT} = 50\text{ mA}$, $C_{IN} = 4.7\text{ }\mu\text{F}$, $C_{BIAS} = 1.0\text{ }\mu\text{F}$, $C_{OUT} = 4.7\text{ }\mu\text{F}$)

| Characteristics | Symbol | Test Condition | $T_j = 25^\circ\text{C}$ | | | $T_j = -40\text{ to }85^\circ\text{C}$ (Note 9) | | Unit | |
|---|--------------------|---|-----------------------------|------|------------|--|------------|-----------------------|----|
| | | | Min | Typ. | Max | Min | Max | | |
| Output voltage accuracy (Fixed Output voltage) | V_{OUT} | $I_{OUT} = 50\text{ mA}$ (Note 5) | $V_{OUT} < 1.8\text{ V}$ | -18 | — | +18 | — | — | mV |
| | | | $1.8\text{ V} \leq V_{OUT}$ | -1.0 | — | +1.0 | — | — | % |
| Adjustable voltage (Adjustable Output voltage) | V_{ADJ} | TCR15AGADJ | 0.588 | 0.60 | 0.612 | — | — | V | |
| Bias voltage | V_{BIAS} | $V_{OUT} \leq 1.1\text{ V}$, $I_{OUT} = 1\text{ mA}$ | 2.5 | — | 5.5 | 2.5 | 5.5 | V | |
| | | $V_{OUT} > 1.1\text{ V}$, $I_{OUT} = 1\text{ mA}$ | $V_{OUT} + 1.4\text{ V}$ | — | 5.5 | $V_{OUT} + 1.4\text{ V}$ | 5.5 | V | |
| Input voltage | V_{IN} | $I_{OUT} = 0\text{ mA}$ (Note 6) | $V_{OUT} + V_{DO}$ | — | V_{BIAS} | $V_{OUT} + V_{DO}$ | V_{BIAS} | V | |
| Line regulation | Reg·line | $V_{OUT} + 0.5\text{ V} \leq V_{IN} \leq 5.5\text{ V}$ $I_{OUT} = 1\text{ mA}$ | — | 0 | 15 | — | — | mV | |
| Load regulation | Reg·load | $0.01\text{ A} \leq I_{OUT} \leq 1.5\text{ A}$ | — | 3 | — | — | — | mV | |
| Quiescent current | I_B | $I_{OUT} = 0\text{ mA}$ (Note 7) | — | 25 | — | — | 40 | μA | |
| ADJ pin current (Adjustable Output voltage) | I_{ADJ} | $V_{ADJ} = 0.6\text{ V}$ | — | 0 | 0.1 | — | — | μA | |
| Stand-by current | $I_{BIAS(OFF)}$ | $V_{CT} = 0\text{ V}$, | — | 0.04 | — | — | 1 | μA | |
| | $I_{IN(OFF)}$ | $V_{CT} = 0\text{ V}$ | — | 0 | 0.1 | — | — | μA | |
| Control pull down current | I_{CT} | — | — | 0.03 | — | — | — | μA | |
| Dropout voltage | V_{DO} | $I_{OUT} = 1.5\text{ A}$, $V_{BIAS} = 3.3\text{ V}$ (Note 8) | — | 120 | — | — | 216 | mV | |
| Under voltage lockout | V_{UVLO} | V_{IN} voltage | — | 0.5 | — | — | 0.65 | V | |
| Temperature coefficient | T_{CVO} | $-40^\circ\text{C} \leq T_{opr} \leq 85^\circ\text{C}$ | — | 60 | — | — | — | ppm/ $^\circ\text{C}$ | |
| Output noise voltage | V_{NO} | $V_{BIAS} = 3.3\text{ V}$, $V_{IN} = V_{OUT} + 1\text{ V}$ $I_{OUT} = 10\text{ mA}$, $V_{OUT} = 0.9\text{ V}$ $10\text{ Hz} \leq f \leq 100\text{ kHz}$, $T_a = 25^\circ\text{C}$ | — | 52 | — | — | — | μV_{rms} | |
| Ripple rejection ratio | R.R.(V_{IN}) | $V_{BIAS} = 3.3\text{ V}$, $V_{IN} = V_{OUT} + 1\text{ V}$ $I_{OUT} = 10\text{ mA}$, $V_{OUT} = 0.9\text{ V}$ $f = 1\text{ kHz}$, V_{IN} Ripple = 200 mV_{p-p} $T_a = 25^\circ\text{C}$, $C_{OUT} = 4.7\text{ }\mu\text{F}$ | — | 95 | — | — | — | dB | |
| | R.R.(V_{BIAS}) | $V_{BIAS} = 3.3\text{ V}$, $V_{IN} = V_{OUT} + 1\text{ V}$ $I_{OUT} = 10\text{ mA}$, $V_{OUT} = 0.9\text{ V}$ $f = 1\text{ kHz}$, V_{BIAS} Ripple = 200 mV_{p-p} $T_a = 25^\circ\text{C}$, $C_{OUT} = 4.7\text{ }\mu\text{F}$ | — | 60 | — | — | — | dB | |
| Load transient response | ΔV_{OUT} | $I_{OUT} = 0.01\text{ A} \rightarrow 1.5\text{ A}$ | — | -100 | — | — | — | mV | |
| | | $I_{OUT} = 1.5\text{ A} \rightarrow 0.01\text{ A}$ | — | +115 | — | — | — | mV | |
| Control voltage (ON) | $V_{CT(ON)}$ | — | 1.0 | — | 5.5 | 1.0 | 5.5 | V | |
| Control voltage (OFF) | $V_{CT(OFF)}$ | — | 0 | — | 0.4 | 0 | 0.4 | V | |
| Output discharge on resistance | R_{SD} | — | — | 10 | — | — | — | Ω | |

Note 5: Stable state with fixed I_{OUT} condition.

Note 6: Please refer to Dropout Voltage (Page 7) and use it within Absolute Maximum Ratings Junction temperature and Operation Temperature Ranges.

Note 7: Control pull down current and external resistors current not included in this parameter.

Note 8: This parameter is tested at $V_{OUT} = 0.9\text{ V}$ for Adjustable output. For other voltage, please refer to Dropout Voltage (Page 7).

Dropout voltage $V_{DO} = V_{IN1} - (V_{OUT1} - 100\text{ mV})$.

V_{OUT1} is the output voltage when $V_{IN} = V_{OUT} + 0.5\text{ V}$.

V_{IN1} is the input voltage at which the output voltage becomes 100 mV drop of V_{OUT1} after gradually decreasing the input voltage

Note 9: $T_j = -40$ to $85\text{ }^\circ\text{C}$. This parameter is warranted by design.

Dropout voltage

($C_{IN} = 4.7\text{ }\mu\text{F}$, $C_{BIAS} = 1.0\text{ }\mu\text{F}$, $C_{OUT} = 4.7\text{ }\mu\text{F}$, $T_j = 25\text{ }^\circ\text{C}$)

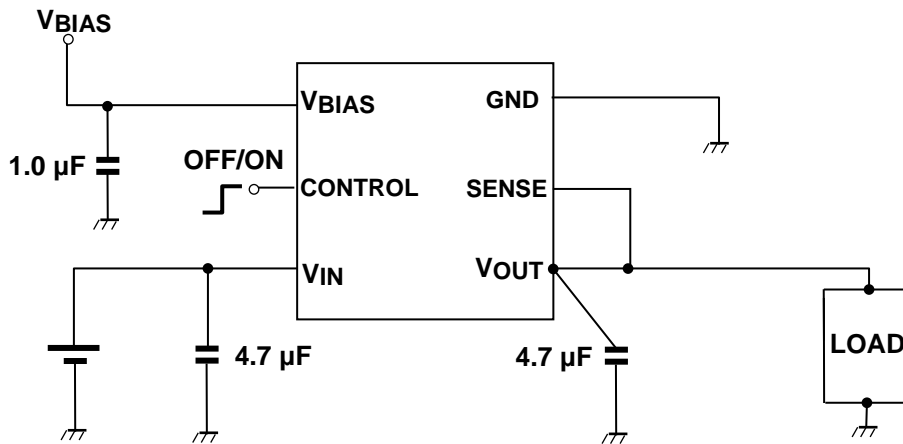
| Output voltages | V_{BIAS} input voltage | $I_{OUT} = 1000\text{ mA}$ | | | $I_{OUT} = 1500\text{ mA}$ | | | Unit |
|---|--------------------------|----------------------------|------|------------------|----------------------------|------|------------------|------|
| | | Min | Typ. | Max (Note 10) | Min | Typ. | Max (Note 10) | |
| $0.6\text{ V} \leq V_{OUT} < 0.7\text{ V}$ | 3.3 V | — | 73 | 133 | — | 110 | 199 | mV |
| $0.7\text{ V} \leq V_{OUT} < 0.8\text{ V}$ | 3.3 V | — | 75 | 135 | — | 112 | 203 | mV |
| $0.8\text{ V} \leq V_{OUT} < 0.9\text{ V}$ | 3.3 V | — | 77 | 139 | — | 115 | 208 | mV |
| $0.9\text{ V} \leq V_{OUT} < 1.0\text{ V}$ | 3.3 V | — | 80 | 144 | — | 120 | 216 | mV |
| $1.0\text{ V} \leq V_{OUT} < 1.1\text{ V}$ | 3.3 V | — | 83 | 152 | — | 125 | 228 | mV |
| $1.1\text{ V} \leq V_{OUT} < 1.2\text{ V}$ | 3.3 V | — | 89 | 160 | — | 134 | 240 | mV |
| $1.2\text{ V} \leq V_{OUT} < 1.3\text{ V}$ | 3.3 V | — | 94 | 171 | — | 141 | 257 | mV |
| 1.3 V | 3.3 V | — | 99 | 183 | — | 149 | 274 | mV |
| 1.4 V | 3.3 V | — | 107 | 197 | — | 161 | 295 | mV |
| 1.5 V | 3.3 V | — | 116 | 217 | — | 174 | 325 | mV |
| 1.6 V | $V_{OUT} + 1.7\text{ V}$ | — | 231 | 450 | — | 347 | 675 | mV |
| 1.7 V | $V_{OUT} + 1.7\text{ V}$ | — | 225 | 443 | — | 338 | 665 | mV |
| $1.8\text{ V} \leq V_{OUT} \leq 3.6\text{ V}$ | $V_{OUT} + 1.7\text{ V}$ | — | 221 | 432 | — | 332 | 648 | mV |

Note 10: $T_j = -40$ to $85\text{ }^\circ\text{C}$. This parameter is warranted by design.

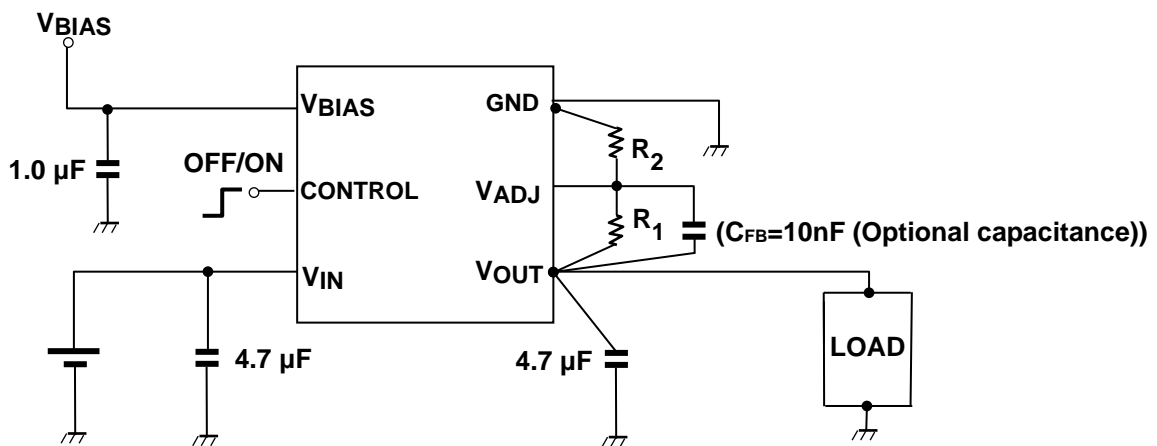
Application Note

1. Recommended Application Circuit

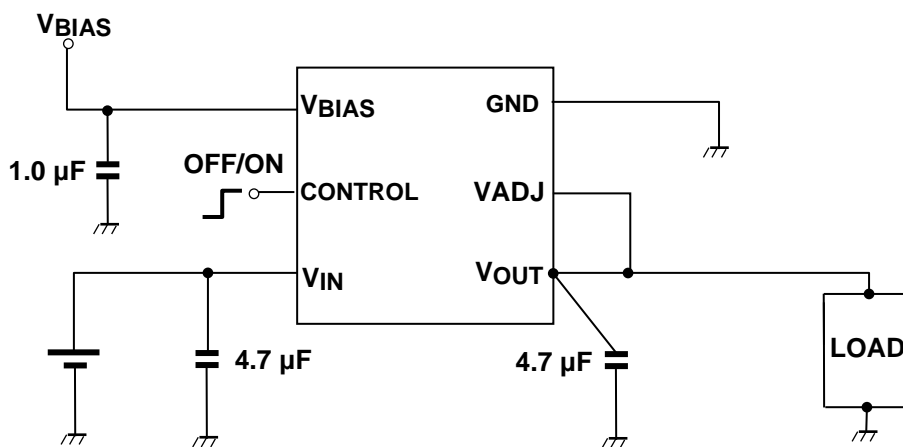
Fixed Output Voltage



Adjustable Output Voltage



Adjustable Output Voltage ($V_{OUT} = 0.6 V : R_1 = 0 \Omega, R_2 = \text{Open}$)



The figure above shows the recommended configuration for using a Low-Dropout regulator. Insert a capacitor at VIN , VOUT and VBIAS pins for stable input/output operation. (Ceramic capacitors can be used).

Connect a capacitor with a capacitance value as much as 4.7μF or more between VIN and GND pin and 1.0 μF or more between VBIAS and GND, and as close as possible to the pins. But simple usage of large input capacitance is known to form unwanted LC resonance in combination with input wire inductance. So please check parameter with the actual device and circuit.

C_{FB} is optional capacitance that improve Transient response, Output noise, Oscillation resistance, PSRR and Overshoot. However, it does not necessarily need.

VADJ is the output voltage control pin. Typical VADJ value is 0.6 V. For best performance R1 and R2 should have similar temperature coefficients, otherwise output voltage accuracy will be compromised.

$$V_{OUT} = V_{ADJ} \times \left(1 + \frac{R1}{R2}\right)$$

Reference resistance table

This is reference data. Please check parameter with the actual device and circuit.

TCR15AGADJ : VADJ = 0.6 V (typ.).

| Output voltage (typ.) | R1 | R2 |
|-----------------------|--------|-------|
| 0.6 V | 0 Ω | Open |
| 0.65 V | 2 kΩ | 24 kΩ |
| 0.7 V | 4 kΩ | 24 kΩ |
| 0.8 V | 8 kΩ | 24 kΩ |
| 0.9 V | 12 kΩ | 24 kΩ |
| 1.0 V | 16 kΩ | 24 kΩ |
| 1.1 V | 20 kΩ | 24 kΩ |
| 1.2 V | 24 kΩ | 24 kΩ |
| 1.3 V | 28 kΩ | 24 kΩ |
| 1.8 V | 48 kΩ | 24 kΩ |
| 2.5 V | 76 kΩ | 24 kΩ |
| 3.0 V | 96 kΩ | 24 kΩ |
| 3.3 V | 108 kΩ | 24 kΩ |
| 3.6 V | 120 kΩ | 24 kΩ |

2. Power Dissipation

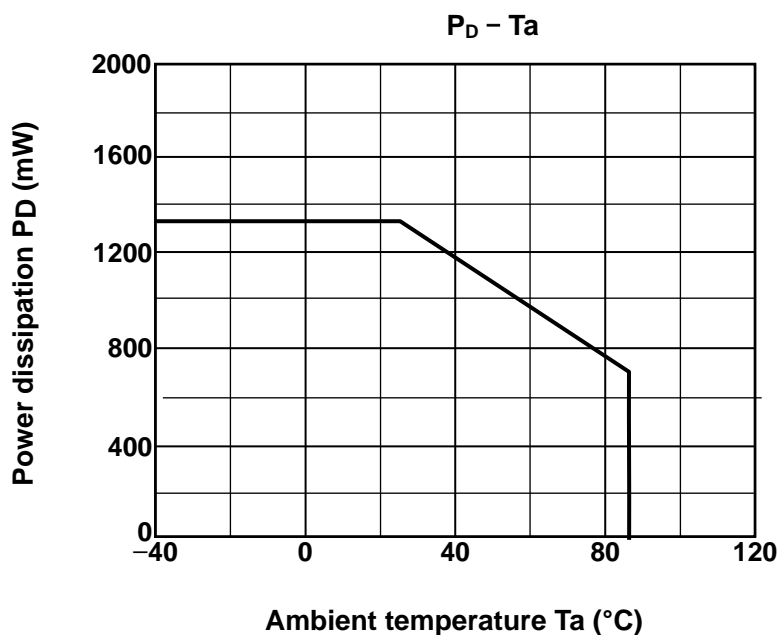
Board-mounted power dissipation ratings for TCR15AG series are available in the Absolute Maximum Ratings table. Power dissipation is measured on the board condition shown below.

[The Board Condition]

Board material: Glass epoxy (FR4)

Board dimension: 40 mm x 40 mm (4layer), t=1.8 mm

Metal pattern ratio: approximately 70% each layer



Please allow sufficient margin when designing a board pattern to fit the expected power dissipation. Also take into consideration the ambient temperature, input voltage, output current etc. and applying the appropriate derating for allowable power dissipation during operation.

Attention in Use

- Capacitors(Output, Input, and Bias Capacitor)

Ceramic capacitors can be used for these devices. However, because of the type of the capacitors, there might be unexpected thermal features. Please consider application condition for selecting capacitors. And Toshiba recommend the ESR of ceramic capacitor is under 1.0 Ω . For stable operation, please use over 4.7 μF Input capacitor, 1.0 μF Bias capacitor and 4.7 μF output ceramic capacitor.

- Mounting

The long distance between IC and each capacitor might affect phase assurance by impedance in wire and inductor. For stable power supply, output capacitor need to mount near IC as much as possible. Also VIN and GND pattern need to be large and make the wire impedance small as possible.

- Permissible Loss

Please have enough design patterns for expected maximum permissible loss. And under consideration of surrounding temperature, input voltage, and output current etc, we recommend proper dissipation ratings for maximum permissible loss; in general maximum dissipation rating is 70 to 80 percent.

- Overcurrent Protection and Thermal shutdown

Overcurrent protection and Thermal shutdown are designed in these products, but these are not designed to constantly ensure the suppression of the device within operation limits. Depending on the condition during actual usage, it could affect the electrical characteristic specification and reliability. Also note that if output pins and GND pins are not completely shorted out, these products might be break down.

When using these products, please read through and understand the concept of dissipation for absolute maximum ratings from the above mention or our 'Semiconductor Reliability Handbook'. Then use these products under absolute maximum ratings in any condition. Furthermore, Toshiba recommend inserting failsafe system into the design.

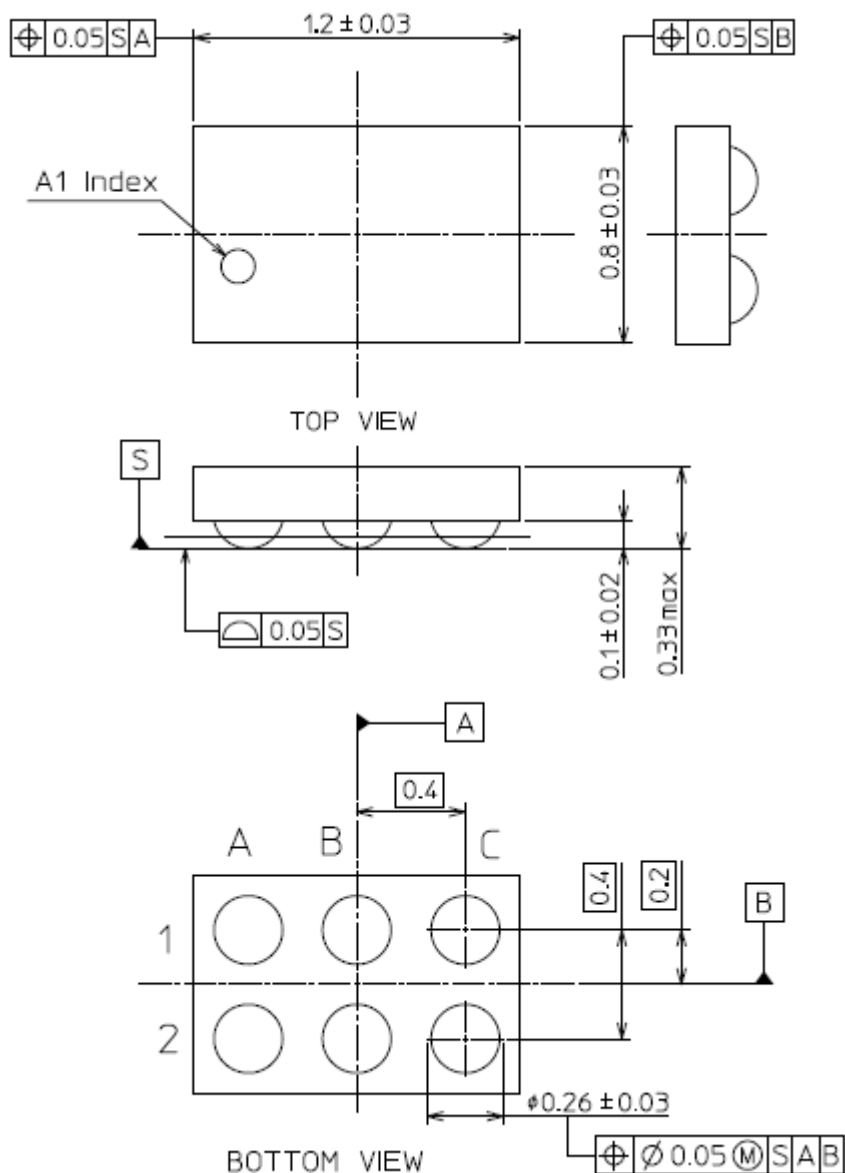
- Adjustable output voltage type

TCR15AGADJ is adjustable output voltage type. VADJ is the output voltage control pin, please refer to recommended application circuit and reference resistance table. Please select the tolerance of the resistance value in accordance by the system. In addition, please assemble R1 and R2 to minimize common impedance. For VADJ assembly, please design PCB pattern as short as possible to avoid noise effect.

Package Dimensions

WCSP6F

Unit: mm



Weight : 0.61 mg (typ.)

RESTRICTIONS ON PRODUCT USE

Toshiba Corporation and its subsidiaries and affiliates are collectively referred to as "TOSHIBA". Hardware, software and systems described in this document are collectively referred to as "Product".

- TOSHIBA reserves the right to make changes to the information in this document and related Product without notice.
- This document and any information herein may not be reproduced without prior written permission from TOSHIBA. Even with TOSHIBA's written permission, reproduction is permissible only if reproduction is without alteration/omission.
- Though TOSHIBA works continually to improve Product's quality and reliability, Product can malfunction or fail. Customers are responsible for complying with safety standards and for providing adequate designs and safeguards for their hardware, software and systems which minimize risk and avoid situations in which a malfunction or failure of Product could cause loss of human life, bodily injury or damage to property, including data loss or corruption. Before customers use the Product, create designs including the Product, or incorporate the Product into their own applications, customers must also refer to and comply with (a) the latest versions of all relevant TOSHIBA information, including without limitation, this document, the specifications, the data sheets and application notes for Product and the precautions and conditions set forth in the "TOSHIBA Semiconductor Reliability Handbook" and (b) the instructions for the application with which the Product will be used with or for. Customers are solely responsible for all aspects of their own product design or applications, including but not limited to (a) determining the appropriateness of the use of this Product in such design or applications; (b) evaluating and determining the applicability of any information contained in this document, or in charts, diagrams, programs, algorithms, sample application circuits, or any other referenced documents; and (c) validating all operating parameters for such designs and applications. **TOSHIBA ASSUMES NO LIABILITY FOR CUSTOMERS' PRODUCT DESIGN OR APPLICATIONS.**
- **PRODUCT IS NEITHER INTENDED NOR WARRANTED FOR USE IN EQUIPMENTS OR SYSTEMS THAT REQUIRE EXTRAORDINARILY HIGH LEVELS OF QUALITY AND/OR RELIABILITY, AND/OR A MALFUNCTION OR FAILURE OF WHICH MAY CAUSE LOSS OF HUMAN LIFE, BODILY INJURY, SERIOUS PROPERTY DAMAGE AND/OR SERIOUS PUBLIC IMPACT ("UNINTENDED USE").** Except for specific applications as expressly stated in this document, Unintended Use includes, without limitation, equipment used in nuclear facilities, equipment used in the aerospace industry, medical equipment, equipment used for automobiles, trains, ships and other transportation, traffic signaling equipment, equipment used to control combustions or explosions, safety devices, elevators and escalators, devices related to electric power, and equipment used in finance-related fields. **IF YOU USE PRODUCT FOR UNINTENDED USE, TOSHIBA ASSUMES NO LIABILITY FOR PRODUCT.** For details, please contact your TOSHIBA sales representative.
- Do not disassemble, analyze, reverse-engineer, alter, modify, translate or copy Product, whether in whole or in part.
- Product shall not be used for or incorporated into any products or systems whose manufacture, use, or sale is prohibited under any applicable laws or regulations.
- The information contained herein is presented only as guidance for Product use. No responsibility is assumed by TOSHIBA for any infringement of patents or any other intellectual property rights of third parties that may result from the use of Product. No license to any intellectual property right is granted by this document, whether express or implied, by estoppel or otherwise.
- **ABSENT A WRITTEN SIGNED AGREEMENT, EXCEPT AS PROVIDED IN THE RELEVANT TERMS AND CONDITIONS OF SALE FOR PRODUCT, AND TO THE MAXIMUM EXTENT ALLOWABLE BY LAW, TOSHIBA (1) ASSUMES NO LIABILITY WHATSOEVER, INCLUDING WITHOUT LIMITATION, INDIRECT, CONSEQUENTIAL, SPECIAL, OR INCIDENTAL DAMAGES OR LOSS, INCLUDING WITHOUT LIMITATION, LOSS OF PROFITS, LOSS OF OPPORTUNITIES, BUSINESS INTERRUPTION AND LOSS OF DATA, AND (2) DISCLAIMS ANY AND ALL EXPRESS OR IMPLIED WARRANTIES AND CONDITIONS RELATED TO SALE, USE OF PRODUCT, OR INFORMATION, INCLUDING WARRANTIES OR CONDITIONS OF MERCHANTABILITY, FITNESS FOR A PARTICULAR PURPOSE, ACCURACY OF INFORMATION, OR NONINFRINGEMENT.**
- Do not use or otherwise make available Product or related software or technology for any military purposes, including without limitation, for the design, development, use, stockpiling or manufacturing of nuclear, chemical, or biological weapons or missile technology products (mass destruction weapons). Product and related software and technology may be controlled under the applicable export laws and regulations including, without limitation, the Japanese Foreign Exchange and Foreign Trade Law and the U.S. Export Administration Regulations. Export and re-export of Product or related software or technology are strictly prohibited except in compliance with all applicable export laws and regulations.
- Please contact your TOSHIBA sales representative for details as to environmental matters such as the RoHS compatibility of Product. Please use Product in compliance with all applicable laws and regulations that regulate the inclusion or use of controlled substances, including without limitation, the EU RoHS Directive. **TOSHIBA ASSUMES NO LIABILITY FOR DAMAGES OR LOSSES OCCURRING AS A RESULT OF NONCOMPLIANCE WITH APPLICABLE LAWS AND REGULATIONS.**

Mouser Electronics

Authorized Distributor

Click to View Pricing, Inventory, Delivery & Lifecycle Information:

Toshiba:

[TCR15AG11,LF](#) [TCR15AG18,LF](#) [TCR15AG33,LF](#) [TCR15AG105,LF](#) [TCR15AG30,LF](#) [TCR15AG09,LF](#)
[TCR15AG25,LF](#) [TCR15AGADJ,LF](#) [TCR15AG10,LF](#) [TCR15AG12,LF](#)

Компания «Океан Электроники» предлагает заключение долгосрочных отношений при поставках импортных электронных компонентов на взаимовыгодных условиях!

Наши преимущества:

- Поставка оригинальных импортных электронных компонентов напрямую с производств Америки, Европы и Азии, а так же с крупнейших складов мира;
- Широкая линейка поставок активных и пассивных импортных электронных компонентов (более 30 млн. наименований);
- Поставка сложных, дефицитных, либо снятых с производства позиций;
- Оперативные сроки поставки под заказ (от 5 рабочих дней);
- Экспресс доставка в любую точку России;
- Помощь Конструкторского Отдела и консультации квалифицированных инженеров;
- Техническая поддержка проекта, помощь в подборе аналогов, поставка прототипов;
- Поставка электронных компонентов под контролем ВП;
- Система менеджмента качества сертифицирована по Международному стандарту ISO 9001;
- При необходимости вся продукция военного и аэрокосмического назначения проходит испытания и сертификацию в лаборатории (по согласованию с заказчиком);
- Поставка специализированных компонентов военного и аэрокосмического уровня качества (Xilinx, Altera, Analog Devices, Intersil, Interpoint, Microsemi, Actel, Aeroflex, Peregrine, VPT, Syfer, Eurofarad, Texas Instruments, MS Kennedy, Miteq, Cobham, E2V, MA-COM, Hittite, Mini-Circuits, General Dynamics и др.);

Компания «Океан Электроники» является официальным дистрибьютором и эксклюзивным представителем в России одного из крупнейших производителей разъемов военного и аэрокосмического назначения «JONHON», а так же официальным дистрибьютором и эксклюзивным представителем в России производителя высокотехнологичных и надежных решений для передачи СВЧ сигналов «FORSTAR».



JONHON

«JONHON» (основан в 1970 г.)

Разъемы специального, военного и аэрокосмического назначения:

(Применяются в военной, авиационной, аэрокосмической, морской, железнодорожной, горно- и нефтедобывающей отраслях промышленности)

«FORSTAR» (основан в 1998 г.)

ВЧ соединители, коаксиальные кабели, кабельные сборки и микроволновые компоненты:

(Применяются в телекоммуникациях гражданского и специального назначения, в средствах связи, РЛС, а так же военной, авиационной и аэрокосмической отраслях промышленности).



Телефон: 8 (812) 309-75-97 (многоканальный)

Факс: 8 (812) 320-03-32

Электронная почта: ocean@oceanchips.ru

Web: <http://oceanchips.ru/>

Адрес: 198099, г. Санкт-Петербург, ул. Калинина, д. 2, корп. 4, лит. А