

# SOURIAU

## 8STA/8TA Series

Compact Circular Connectors

Derived from MIL-DTL-38999 & JN1003



# 8STA/8TA Series



## Contents

### Overview

• Presentation .....	06
• Applications .....	06
• Features & benefits .....	07
• Product range overview .....	08
• Contact layouts .....	10

### Standard Series

• 8STA Series shell sizes 02, 04 & 06 .....	16
• 8STA Series shell sizes 08 to 24 .....	19
• Integrated clinch nuts .....	23
• High density .....	26
• PCB connectors .....	28
• Power contacts .....	32
• 8TA Series .....	35

### Derived Series

• Quick release for steering boss system .....	40
• Blind mating plug .....	42
• Through bulkhead .....	44
• Hermetic shell size 02 .....	46
• Hermetic fuel tank .....	48
• Fuel immersible .....	50

### Common Section

• Contacts:	
Crimp contacts .....	54
PCB contacts .....	55
• Tooling:	
Crimping tools .....	56
Wire stripping .....	57
Insertion & extraction tools .....	57
• Accessories:	
Filler plugs .....	58
Boots .....	58
Shrinkable termination detail .....	59
Nut plates .....	59
Gaskets .....	59
Metal protective caps .....	60

### Range Extension

• 209 Series .....	64
• High power contact .....	64
• Composite connectors .....	65
• micro38999 - 8BA Series .....	65
• <i>microComp</i> <sup>®</sup> Series .....	66
• UTS Series .....	66

OSTA  
Series



8STA/8TA Series

# Overview

■ Presentation .....	06
■ Applications .....	06
■ Features & benefits .....	07
■ Product range overview .....	08
■ Contact layouts .....	10



# 8STA/8TA Series

## Overview

### Presentation

#### Compact Circular Connectors

##### 8STA/8TA Series

- **8STA & 8TA** circular connectors are derived from international military specifications **MIL-DTL-38999 & JN1003**, and are designed to withstand high levels of shock & vibration in harsh environments.
- One of the primary objectives with this product family, is to push the boundaries in terms of **miniaturization** and **weight reduction**, as demonstrated by the introduction of the worlds smallest, & now most popular connector of this type: **8STA size 02**.
- Continuing on with this theme, several new products can be found in this latest catalogue, including chassis mounted receptacles with integrated nuts, eliminating the need for nut plates, lightweight cable receptacles, hermetic size 02 connectors and High Density 8STA with pin counts normally associated with much larger connectors.
- **8STA & 8TA** Series connectors are recommended for **harsh environment** applications where size and weight should be minimized.



### Applications

#### Motorsport Applications:

Formula 1, WRC, GP2, Moto GP, Superbike, Boat racing, ...

- *Electronic boxes, sensors, harnesses, ...*
- *Miniaturization, power, high density, ...*



# 8STA/8TA Series

## Overview

### Features & benefits

#### Integrated Backshell



- ▶ Space & weight saving.
- ▶ Cost effective.
- ▶ Right angle & straight version available.
- ▶ Easy to implement with heat shrink boot.

#### Environmental Resistant



- ▶ IP67 waterproof.
- ▶ Grommet and interfacial seal as MilAero products.
- ▶ 500 mating/unmating endurance.
- ▶ Withstands most of Motorsport fluids.

#### 8STA/8TA Series



- ▶ Compact circular connector.
- ▶ Derived from MIL-DTL-38999 & JN1003.
- ▶ Many derived products ! See page 39.

#### A Complete Range



- ▶ Crimp, PC tails, coax, triax, quadrax, power & thermocouple contacts.
- ▶ 12 shell sizes: from size 02, up to size 24.
- ▶ More than 70 contact layouts.

#### User Friendly



- ▶ Quick bayonet locking: 1/3 turn to mate.
- ▶ Secure connection with audible clic.
- ▶ Visual color indication when mated.
- ▶ Up to 7 color coded keyway orientations.

# 8STA/8TA Series

## Overview

### Product range overview

#### Standard Series



**8STA Series shell sizes 02 to 06**  
See page 16



**8STA Series shell sizes 08 to 24**  
See page 19



**Integrated Clinch Nuts**  
See page 23

**High Density**  
See page 26

**NEW**

**PC Tail Contacts**  
See page 28



**Power Contacts**  
See page 32



**8TA Series**  
See page 35



# 8STA/8TA Series

## Overview

### Derived Series



#### Steering Boss System

See page 40

#### Blind Mating Plug

See page 42

#### Through Bulkhead

See page 44



#### Hermetic Shell Size 02

See page 46

#### Hermetic Fuel Tank

See page 48

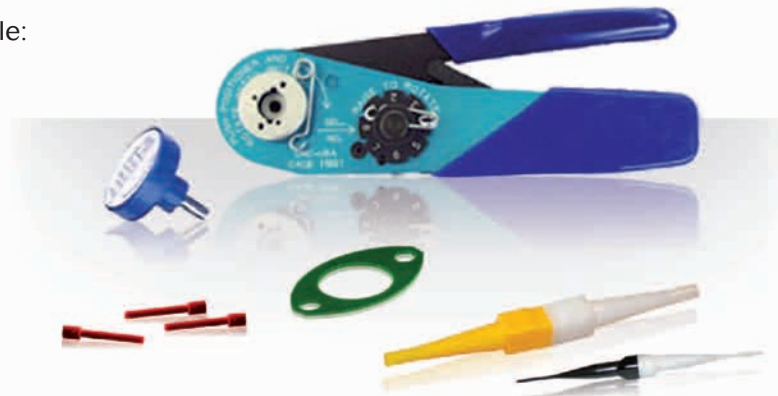
#### Fuel Immersible

See page 50

### Tooling & Accessories

• A full range of tooling and accessories available:

- . Nut plates
- . Gaskets
- . Metal protective caps
- . Filler plugs
- . Crimping tools
- . Insertion & extraction tools
- . ...



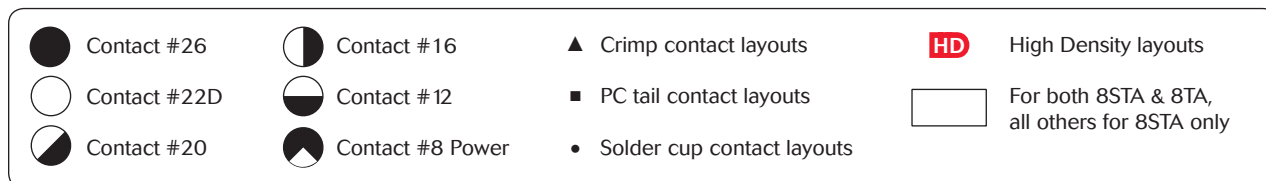
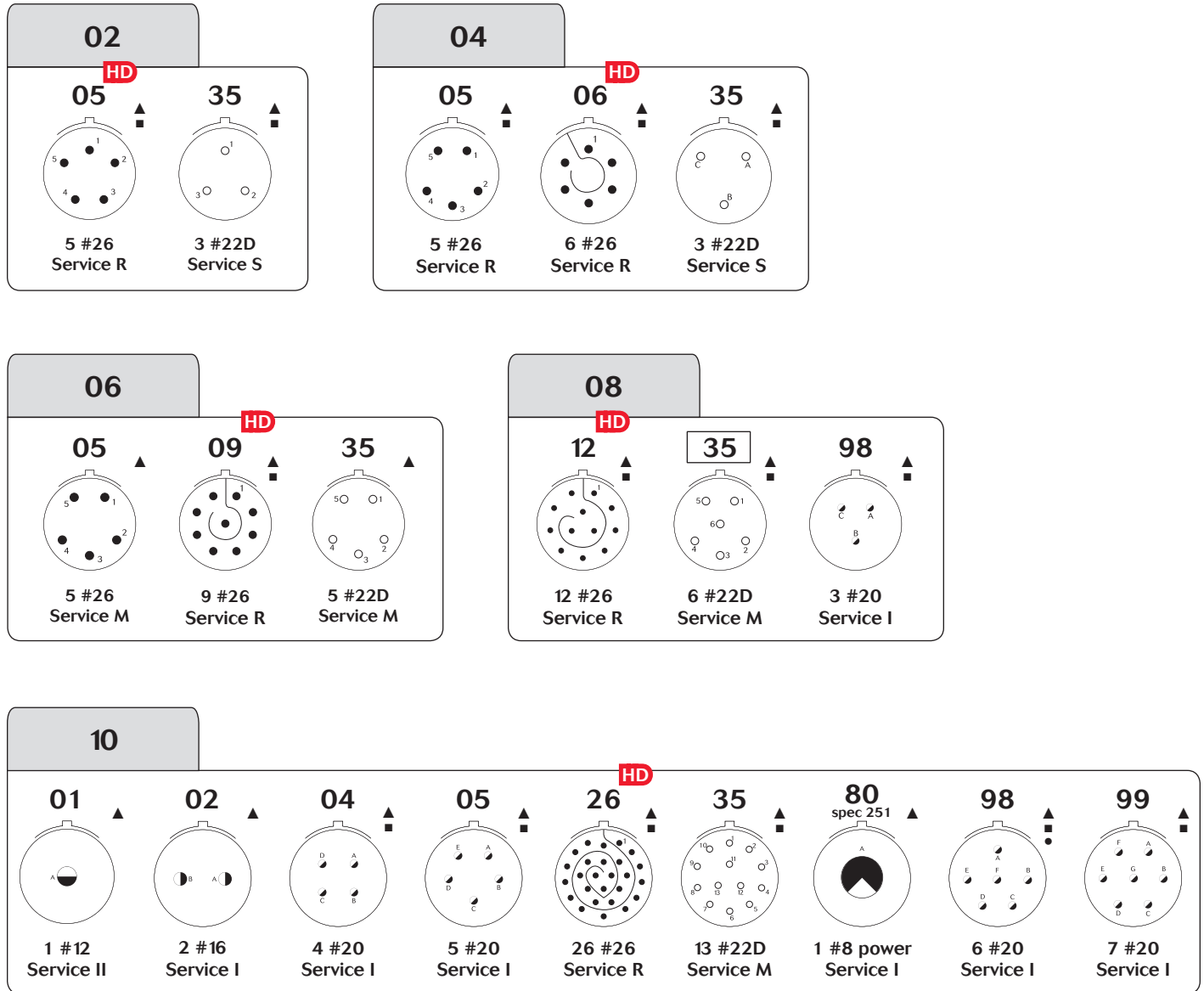
#### Common Section

page 53

# 8STA/8TA Series

## Overview

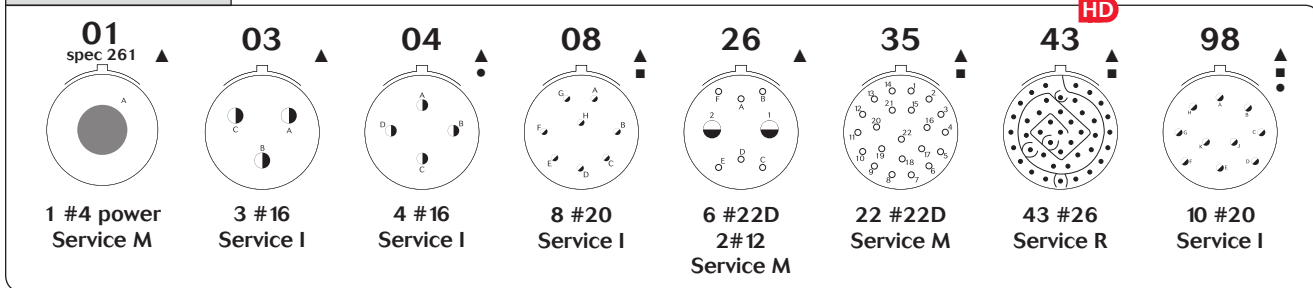
### Contact layouts (viewed from front face of male insulator)



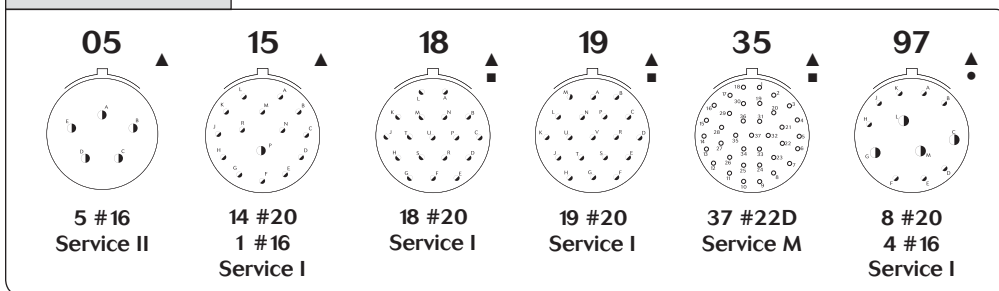
# 8STA/8TA Series

## Overview

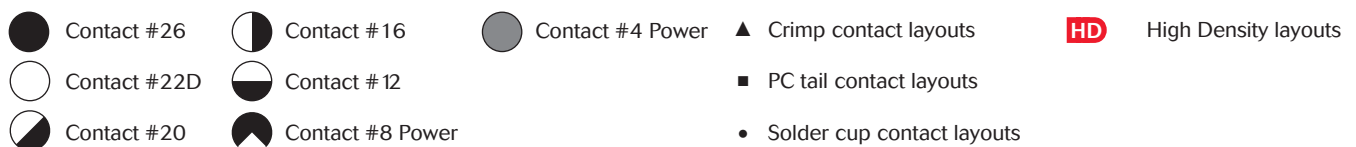
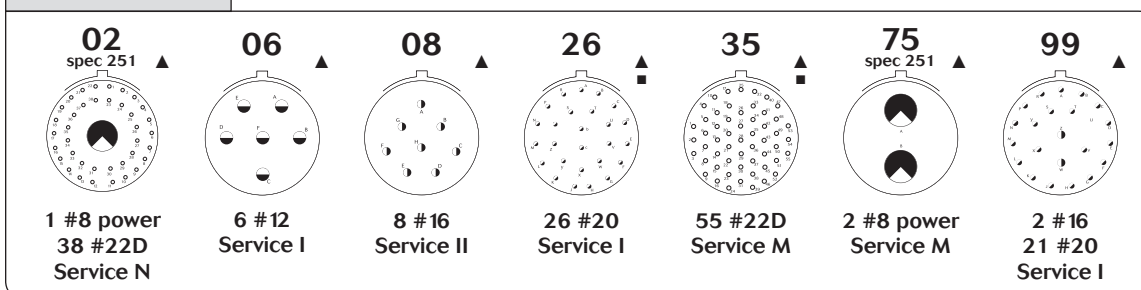
12



14



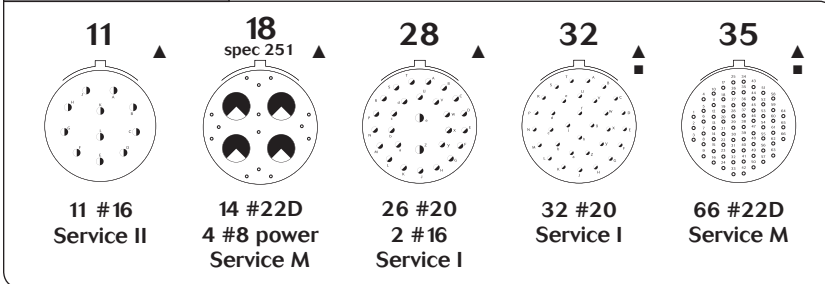
16



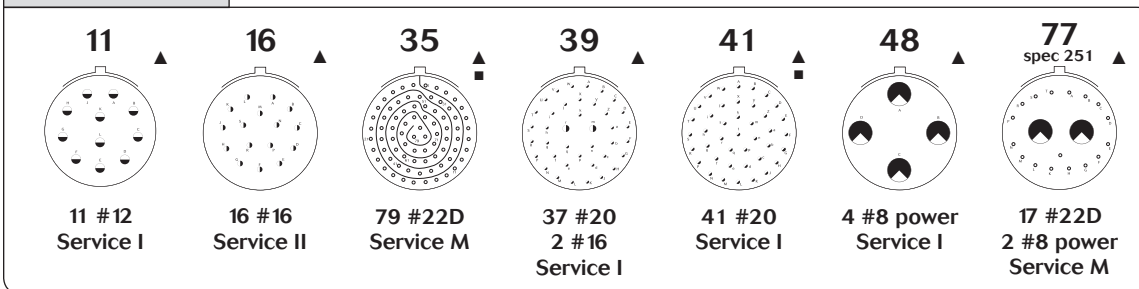
# 8STA/8TA Series

## Overview

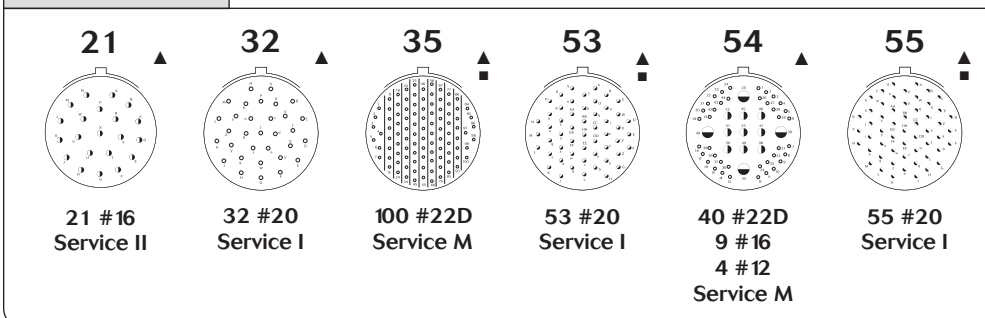
18



20



22



Contact #22D



Contact #12

▲ Crimp contact layouts



Contact #20



Contact #8 Power

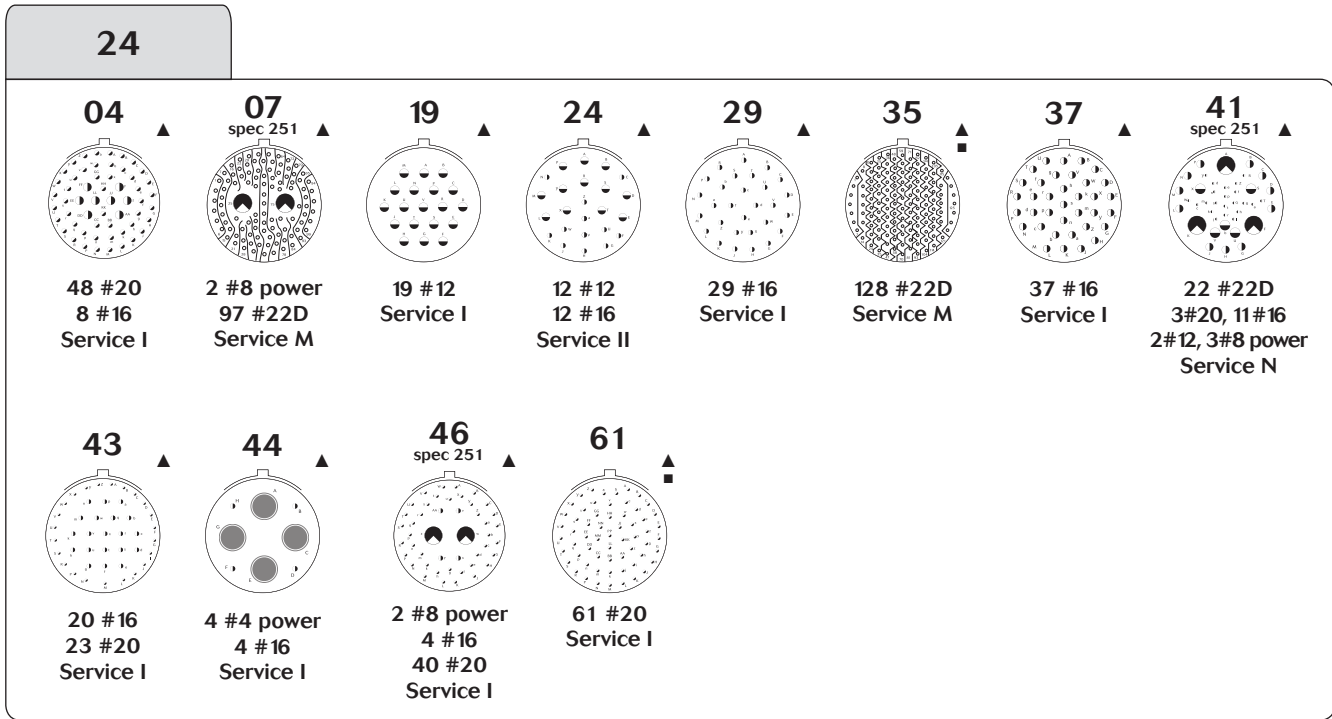
■ PC tail contact layouts



Contact #16

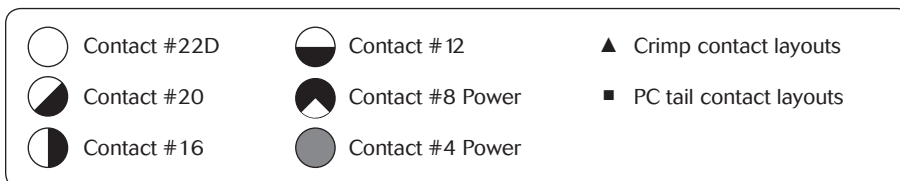
# 8STA/8TA Series

## Overview



### Test voltage rating (Vrms)

Service	Sea level	at 21 000 m
R	400	N/A
S	1000	N/A
M	1300	800
N	1000	600
I	1800	1000
II	2300	1000



OSTA  
Series



## 8STA/8TA Series

# Standard Series

■ 8STA Series - Shell sizes 02, 04 & 06 .....	16
■ 8STA Series - Shell sizes 08 to 24 .....	19
■ 8STA Series - Integrated clinch nuts .....	23
■ 8STA Series - High density .....	26
■ 8STA Series - PCB connectors .....	28
■ 8STA Series - Power contacts .....	32
■ 8TA Series - Compact low profile .....	35



# 8STA Series

## Shell Sizes 02, 04 & 06



## Description

- Size 02: the smallest circular connector with removable contacts #26
- Ultra compact design & very lightweight connector
- Rugged aluminium body to ensure long service life in the harshest environment
- Positive locking mechanism with locked colour indicators
- Scoop proof
- 7 color-coded keyway orientations
- Boot termination feature
- PCB option available
- Conductive black zinc or nickel plating

## Technical features

### Mechanical

- **Shell:**
  - Aluminium alloy
  - Glass fibre loaded plastic - composite (shell size 06 only)
- **Shell plating:**
  - Conductive black zinc (standard)
  - Nickel (F)
  - Composite (X)
- **Insulator:**
  - Thermoplastic
- **Grommet & seal:**
  - Liquid silicone rubber
- **Contact:**
  - Copper alloy
- **Contact plating:**
  - Gold
- **Endurance:**
  - 500 mating cycles
- **Shock:**
  - 300g for 3ms and EIA-364-27
- **Vibration:**
  - 147m/s<sup>2</sup>, 10 to 2000Hz
- **Contact retention:**
  - 35 N (size 26)
  - 45 N (size 22D)

### Climatic

- **Operating temperature:**
  - 55°C to +175°C
- **Sealing mated connectors:**
  - IP67 (1 metre for 30 min minimum)
- **Salt spray:**
  - Aluminum: 48 hours
  - Composite: 500 hours

### Electrical

- **Test voltage:**
  - Size 26: 400 Vrms
  - Size 22D: 1000 Vrms (shell size 02 & 04)
  - 1300 Vrms (shell size 06)
- **Contact resistance:**
  - Size 26: <16 mΩ
  - Size 22D: <14.6 mΩ
- **Insulation resistance:**
  - ≥ 5000mΩ @ 400Vdc / Size 26
  - ≥ 5000mΩ @ 500Vdc / Size 22D
- **Contact rating:**
  - Size 26: 3 Amp
  - Size 22D: 5 Amp



# 8STA Series

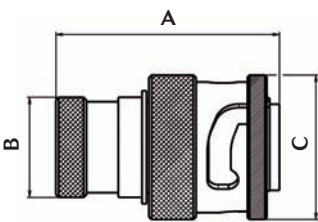
## Shell Sizes 02, 04 & 06

### Ordering information

Basic series	8STA	0		04	05	P	N
<b>Shell type</b>							
0: Oval flange receptacle							
1: In-line receptacle							
2: Oval flange receptacle with PCB contacts							
6: Plug							
7: Jam nut receptacle (consult us)							
<b>Plating</b>							
None: Standard version							
F: Nickel version							
X: Composite version (shell size 06 only)							
<b>Shell size</b>							
02, 04, 06							
<b>Contact layout</b>							
See pages 10 to 13							
<b>Type of contact</b>							
P: Pin							
S: Socket							
<b>Orientation</b>							
N: Red / A: Yellow / B: Blue / C: Orange / D: Green / E: Grey (shell size 02 only) / U: Universal (aluminum alloy only)							
<b>Specification</b>							
None: Standard version							
499: Integrated nut on the flange - M2 insert (only for shell style 0 & 2) - for more details, please see page 23							
528: Integrated nut on the flange - M2.5 insert (only for shell style 0 & 2) - for more details, please see page 23							
562: PCB version (jam nut shell size 02 only)							
022: Fuel immersible version (shell sizes 04 & 06 only) - for more details, please see page 50							

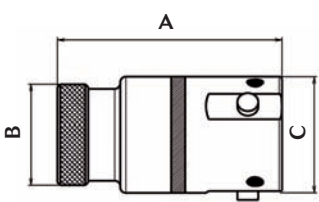
### Dimensions

#### Plug



Shell size	A	Ø B	Ø C
02	17.50	7.2	10.4
04	18.3 <sup>±0.2</sup>	8.5 <sup>±0.1</sup>	13.4 <sup>±0.1</sup>
06	21.95/22.2	10.1/10.35	15.05 <sup>±0.2</sup>

#### In-line receptacle



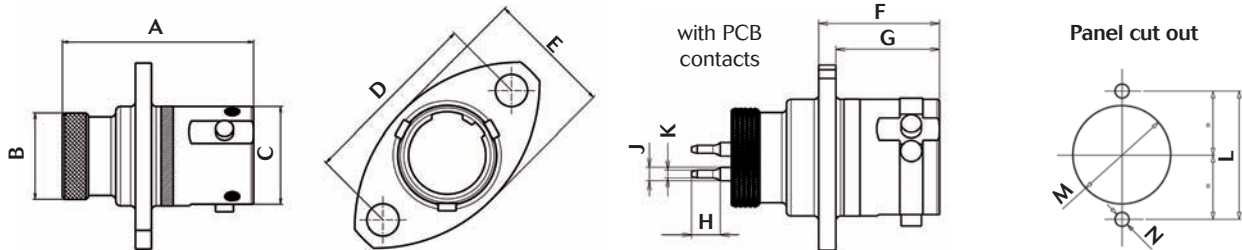
Shell size	A	Ø B	Ø C
02	17.50	7.2	8.3
04	18.1 <sup>±0.2</sup>	8.5 <sup>±0.1</sup>	10 <sup>±0.2</sup>
06	22.95/23.2	10.1/10.35	11.5/11.65

Note: All dimensions are in millimeters (mm)

# 8STA Series

## Shell Sizes 02, 04 & 06

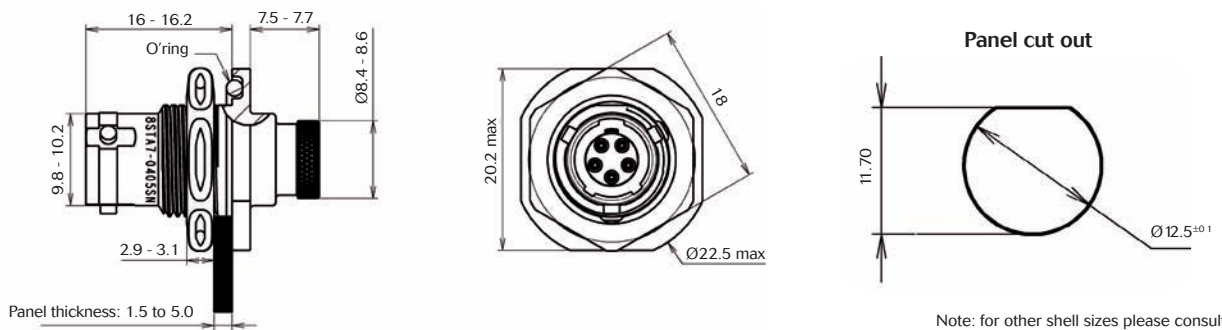
### Oval flange receptacle



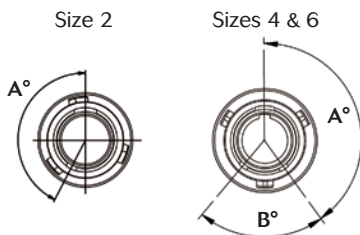
Shell size	A	Ø B	Ø C	D	E	F	G	H
02	17.5	7.2	8.3	15.3	-	10	-	2.45/2.55
04	17.9/18.3	8.4/8.6	9.8/10.2	16/16.4	12.8/13.2	10.4/10.7	8.8/9.2	2.5
06	22.9/23.2	10.1/10.3	11.5/11.6	17.8/18.2	14.7/14.9	12.6/12.9	10.7/10.8	3.9/4.1

Shell size	J		K		L	Ø M	Ø N
	#22D	#26	#22D	#26			
02	1.17/1.24	0.95/1.15	0.64/0.69	0.49/0.54	15.3 $\pm$ 0.2	9.3 $\pm$ 0.1	3.1 $\pm$ 0.2
04	1.19/1.24	1.1/1.15	0.64/0.69	0.49/0.54	16.2 $\pm$ 0.2	12 $\pm$ 0.1	3.1 $\pm$ 0.2
06	1.19/1.24	1.1/1.15	0.64/0.69	0.49/0.54	18 $\pm$ 0.2	13 $\pm$ 0.1	3.1 $\pm$ 0.2

### Jam nut receptacle (shell size 04)



### Orientation



View from front face of plug.

Key positions		N	A	B	C	D	E	U
Shell size 02	Angles A°	153°	51°	102°	204°	255°	306°	None
	Angles B°	145°	130°	110°	155°	90°	-	None
Shell sizes 04 & 06	Angles A°	75°	120°	120°	115°	115°	-	None
	Angles B°							
Color band		Red	Yellow	Blue	Orange	Green	Grey	None

# 8STA Series

## Shell Sizes 08 to 24



## Description

- 5 shell styles:
- 100% scoop-proof
- EMI-RFI shielding and shell to shell continuity is provided by conductive plating and integral grounding ring fitting to the plug
- Environment sealing from interfacial seal and rear grommet (sealing IP67)
- Positive locking mechanism with locked colour indicator
- 6 color-coded keyway orientations
- Conductive black zinc or nickel plating

## Technical features

### Mechanical

- **Shell:**  
Aluminium alloy
- **Shell plating:**  
Conductive black zinc  
Nickel (F)
- **Insulator:**  
Thermoplastic
- **Grommet & seal:**  
Liquid silicone rubber
- **Contact:**  
Copper alloy
- **Contact plating:**  
Gold
- **Endurance:**  
500 mating cycles
- **Shock:**  
300g for 3ms and EIA-364-27
- **Vibration:**  
147m/s<sup>2</sup>, 10 to 2000Hz
- **Contact retention:**

Size 22D:	45 N
Size 20:	60N
Size 16:	100 N
Size 12:	100 N
Size 8:	110 N
Size 4:	200 N

### Climatic

- **Operating temperature:**  
-55°C to +175°C
- **Sealing mated connectors:**  
IP67 (1 metre for 30 min minimum)
- **Salt spray:**  
Aluminum: 48 hours

### Electrical

- **Test voltage:**

Service	M	N	I	II
Sea level	1300	1000	1800	2300

- **Contact resistance:**

Size 22D:	14.6 mΩ
Size 20:	7.3 mΩ
Size 16:	3.8 mΩ
Size 12:	3.5 mΩ
Size 8:	3 mΩ
Size 4:	2 mΩ
- **Insulation resistance:**  
≥ 5000 mΩ (at 500 Vdc)
- **Contact rating:**

Size 22D:	5 A
Size 20:	7.5 A
Size 16:	13 A
Size 12:	23 A
Size 8:	45 A
Size 4:	80 A
- **Shell continuity:**  
≤10 mΩ

# 8STA Series

## Shell Sizes 08 to 24

### Ordering information

Basic series	8STA	0		10	35	P	N
<b>Shell type</b>							
0: Oval flange receptacle (for front or rear mounting)							
1: In-line receptacle							
2: Oval flange receptacle with PCB contacts							
6: Plug							
7: Jam nut receptacle							
<b>Plating</b>							
None: Standard version							
F: Nickel version							
<b>Shell size: 08 - 10 - 12 - 14 - 16 - 18 - 20 - 22 - 24</b>							
<b>Contact layout:</b> See pages 10 to 13							
<b>Type of contact</b>							
P: Pin							
S: Socket							
<b>Orientation</b>							
N: Red / A: Yellow / B: Blue / C: Orange / D: Green / U: Universal							
<b>Specification</b>							
None: Standard version							
499: Integrated nut on the flange - M2 insert (only for shell style 0 & 2) - for more details, please see page 23							
528: Integrated nut on the flange - M2.5 insert (only for shell style 0 & 2) - for more details, please see page 23							
523: Lightweight In-line receptacle (shell type 1)							
022: Fuel immersible version - for more details, please see page 50							

### Dimensions

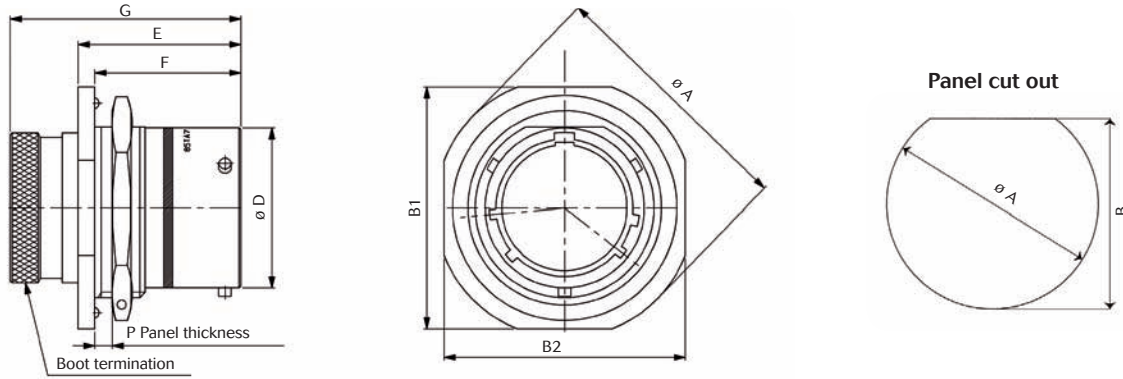
Oval flange receptacle												
Shell size	A max.	B ±0.20	ØC <sub>+0.1</sub> <sup>0</sup>	ØD <sub>-0.13</sub> <sup>+0.2</sup>	E <sub>+0.15</sub> <sup>0</sup>	F <sub>-0.13</sub> <sup>0</sup>	G max.	L max.	P max.	Panel cut out		
										ØA ±0.10	B ±0.20	ØC ±0.20
08	16.50	21.40	3.20	12.00	17.21	16.05	33.50	27.20	3.00	14.50	21.40	3.60
10	19.50	25.90		15.00				32.00		17.40	25.90	
12	24.00	29.10		19.05				35.20		21.90	29.10	
14	27.00	32.50		22.22				38.40		25.00	32.50	
16	30.30	34.80		25.40				41.00		28.20	34.80	
18	33.70	38.20		28.57				44.70		31.40	38.20	
20	37.00	41.60		31.75				47.90		34.60	41.60	
22	40.40	45.00	34.90	51.00	37.60	45.00						
24	43.40	49.50	3.77	38.10	18.20		55.80		41.00	49.50	4.10	

Note: All dimensions are in millimeters (mm)

# 8STA Series

## Shell Sizes 08 to 24

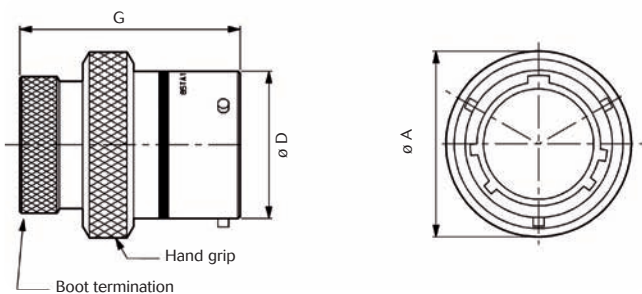
### Jam nut receptacle



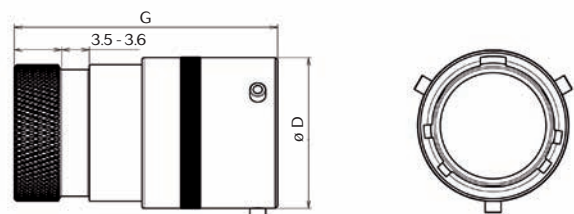
Shell size	ØA ±0.3	B1-B2 ±0.24	ØD <sub>0</sub> <sup>0</sup> -0.12	E ±0.10	F ±0.24	G ±0.3	P max.	Tightening torque (mN)	Panel cut out	
									ØA ±0.10	B ±0.20
08	26.90	24.10	11.97	25.91	23.24	36.71	3.00	4	14.50	13.60
10	30.15	27.30	14.94					6	17.70	16.80
12	34.89	32.10	19.01					9	22.70	20.90
14	38.06	34.92	22.18					10	25.70	24.10
16	41.25	38.40	25.36					13	28.80	27.20
18	44.41	41.60	28.53	26.71	37.51			20	32.00	30.40
20	49.19	46.30	31.71					23	35.10	33.60
22	52.33	49.50	34.88					25	38.00	36.80
24	55.50	52.45	38.06					26	42.00	39.90

### In-line receptacle

Standard version



Lightweight version (specification 523)



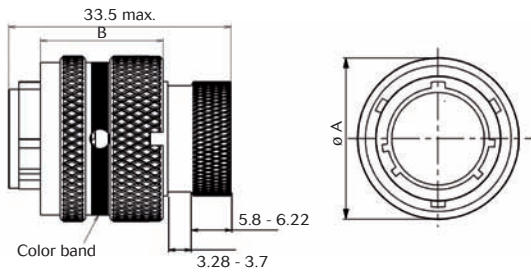
Shell size	8	10	12	14	16	18	20	22	24
ØA max.	17.6	20.7	25.1	28.3	31.4	34.7	38.1	41.2	44.7
ØD <sup>+0.20</sup> <sub>-0.13</sub>	12	15	19.05	22.22	25.4	28.57	31.75	34.92	38.1
G max.	33.5								

Note: All dimensions are in millimeters (mm)

# 8STA Series

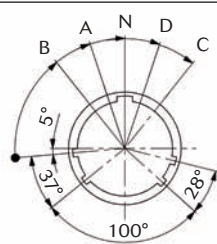
## Shell Sizes 08 to 24

### Plug

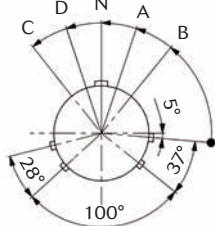


Shell size	ØA max.	B max.
08	18.70	18.55
10	21.50	
12	25.10	
14	29.00	
16	32.20	
18	35.40	19.30
20	38.20	
22	41.30	
24	44.50	19.05

### Orientation



Viewed from face of receptacle



Viewed from face of plug

Shell size	N Red	A Yellow	B Blue	C Orange	D Green
08	95°	77°	-	-	113°
10	95°	81°	67°	123°	109°
12	95°	75°	63°	127°	116°
14	95°	74°	61°	129°	116°
16	95°	77°	65°	125°	113°
18	95°	77°	65°	125°	113°
20	95°	77°	65°	125°	113°
22	95°	80°	69°	121°	110°
24	95°	80°	69°	121°	110°

For each shell size, U orientation can be mateable with any other orientations.

# 8STA Series

## Integrated Clinch Nuts



## Description

- A convenient & time saving feature - Weight saving opportunities: Elimination of nut plates
- SOURIAU's Offer:
  - . 12 shell sizes available, from 02 to 24
  - . Available for standard crimp receptacle (shell type 0) & PCB receptacle (shell type 2)

## Technical features

Current solution:



Connector + Nut plate

NEW solution:



Integrated clinchnut on the flange

## Mechanical

- **Shell:**  
Aluminium alloy
- **Shell plating:**  
Conductive black zinc
- **Insulator:**  
Thermoplastic
- **Grommet & seal:**  
Liquid silicone rubber
- **Contact:**  
Copper alloy
- **Contact plating:**  
Gold
- **Endurance:**  
500 mating cycles
- **Shock:**  
300g for 3ms and EIA-364-27
- **Vibration:**  
147m/s<sup>2</sup>, 10 to 2000Hz
- **Contact retention:**

Size 26:	35 N
Size 22D:	45 N
Size 20:	60N
Size 16:	100 N
Size 12:	100 N
Size 8:	110 N
Size 4:	200 N

## Climatic

- **Operating temperature:**  
-55°C to +175°C
- **Sealing mated connectors:**  
IP67 (1 metre for 30 min minimum)
- **Salt spray:**  
48 hours

## Electrical

- Please see details in each section concerned

# 8STA Series

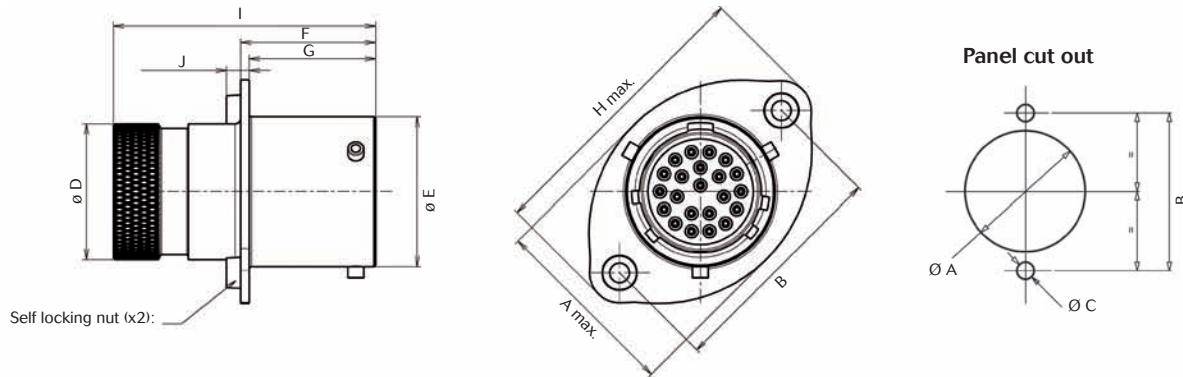
## Integrated Clinch Nuts

### Ordering information

Basic series	8STA	0	10	35	P	N	499
Shell type							
0: Oval flange receptacle							
2: Oval flange receptacle with PCB contacts							
Shell size	02 - 04 - 06 - 08 - 10 - 12 - 14 - 16 - 18 - 20 - 22 - 24						
Contact layout	See pages 10 to 13						
Type of contact							
P: Pin							
S: Socket							
Orientation	N: Red / A: Yellow / B: Blue / C: Orange / D: Green / U: Universal						
Specification (mandatory)							
499: Integrated nut on the flange - M2 insert for sizes 02 to 06 / M3 insert for sizes 08 to 24							
528: Integrated nut on the flange - M2.5 insert for sizes 02 to 06							

### Dimensions

#### Oval flange receptacle



Shell size	A max.	B $\pm 0.20$	$\phi$ D	$\phi$ E	F	G	H	I	J	Panel cut out		
										$\phi$ A $\pm 0.10$	B $\pm 0.20$	$\phi$ C $\pm 0.20$
02	10.50	15.4	7.20	8.30	10.15	8.80	21.4	16.30	3.22	9.30	15.30	3.10
04	13.2	16.4	8.6	10.2	10.7	9.2	22.3	18.30	3.37	12.00	16.20	
06	15.0	18.2	10.35	12.0	12.95	10.95	24.0	23.25	3.83	13.00	18.00	
08	16.50	21.40	10.62	12.00	17.21	16.05	29.25	33.4	3.32	14.50	21.40	3.60
10	19.50	25.90	13.72	15.00			33.75			17.40	25.90	
12	24.00	29.10	17.26	19.05			36.95			21.90	29.10	
14	27.00	32.50	20.41	22.22			40.35			25.00	32.50	
16	30.30	34.80	23.60	25.40			42.65			28.20	34.80	
18	33.70	38.20	26.76	28.57			46.05			31.40	38.20	
20	37.00	41.60	29.93	31.75	15.29	49.45	34.60	41.60				
22	40.40	45.00	33.11	34.90		52.85	37.60	45.00				
24	43.40	49.50	36.30	38.10		57.35	41.00	49.50	4.10			

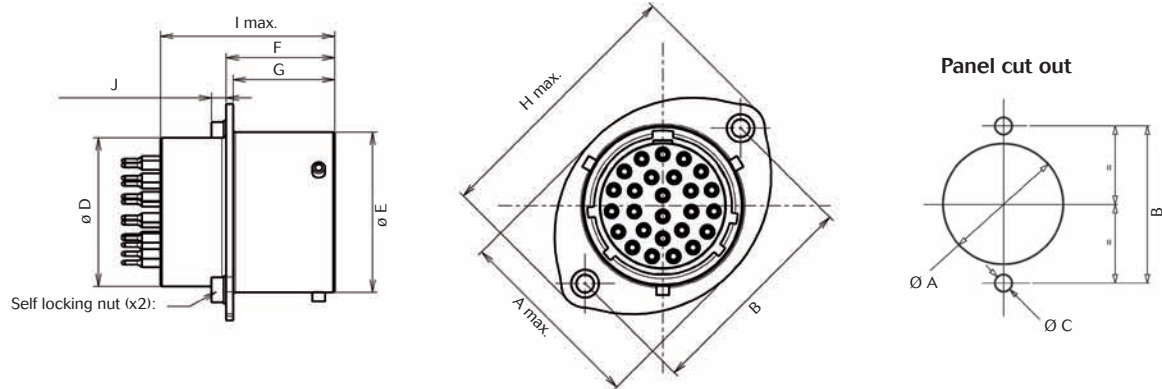
Note: All dimensions are in millimeters (mm)



# 8STA Series

## Integrated Clinch Nuts

### Oval flange receptacle with PCB contacts



Shell size	A max.	B $\pm 0.20$	$\varnothing$ D max.	E	F	G	H max.	I max.	J	Panel cut out		
										$\varnothing$ A $\pm 0.10$	B $\pm 0.20$	$\varnothing$ C $\pm 0.20$
02	10.5	15.3	7.2	8.3	10.15	8.8	21.3	17.5	2.05	9.30	15.30	3.10
04	13.2	16.4	8.6	10.2	10.7	9.2	22.2	18.3		12.00	16.20	
06	15.0	18.2	10.35	12.0	12.95	10.95	24.0	23.25		13.00	18.00	
08	16.50	21.40	11.10	12.00	17.21	16.05	42.40	27.65	2.72	14.50	21.40	3.60
10	19.50	25.90	13.90	14.87						17.40	25.90	
12	24.00	29.10	17.35	19.05						21.90	29.10	
14	27.00	32.50	20.50	22.22						25.00	32.50	
16	30.30	34.80	23.70	25.40						28.20	34.80	
18	33.70	38.20	26.91	28.57						31.40	38.20	
20	37.00	41.60	30.11	31.77	15.29	34.60	41.60	2.72	37.60	45.00	3.60	
22	40.40	45.00	33.20	34.90		37.60	45.00					
24	43.40	49.50	36.40	38.10		18.20	41.00		49.50	4.10		

For gaskets, please see page 58.

# 8STA Series

## High Density

NEW



## Description

- Derived from MIL-DTL-38999 & JN1003 standard
- Rugged aluminium body to ensure long service life in the harshest environment
- 100% scoop proof
- Available in 6 shell sizes: 02-05; 04-06; 06-09; 08-12; 10-26; 12-43
- Contacts #26 for AWG 24 to 30

## Technical features

### Mechanical

- **Shell:**  
Aluminium alloy
- **Shell plating:**  
Conductive black zinc  
Nickel (F)
- **Insulator:**  
Thermoplastic
- **Grommet & seal:**  
Liquid silicone rubber
- **Contact:**  
Copper alloy
- **Contact plating:**  
Gold
- **Endurance:**  
500 mating cycles
- **Shock:**  
300g for 3ms and EIA-364-27
- **Vibration:**  
147m/s<sup>2</sup>, 10 to 2000Hz

### Climatic

- **Operating temperature:**  
-55°C to +175°C
- **Sealing mated connectors:**  
IP67 (1 metre for 30 min minimum)
- **Salt spray:**  
48 hours

### Electrical

- **Contact resistance:**  
Size 26: 16mΩ
- **Insulation resistance:**  
≥5000mΩ (at 500Vdc)
- **Contact rating:**  
Size 26: 3 Amp
- **Shell continuity:**  
≤10mΩ

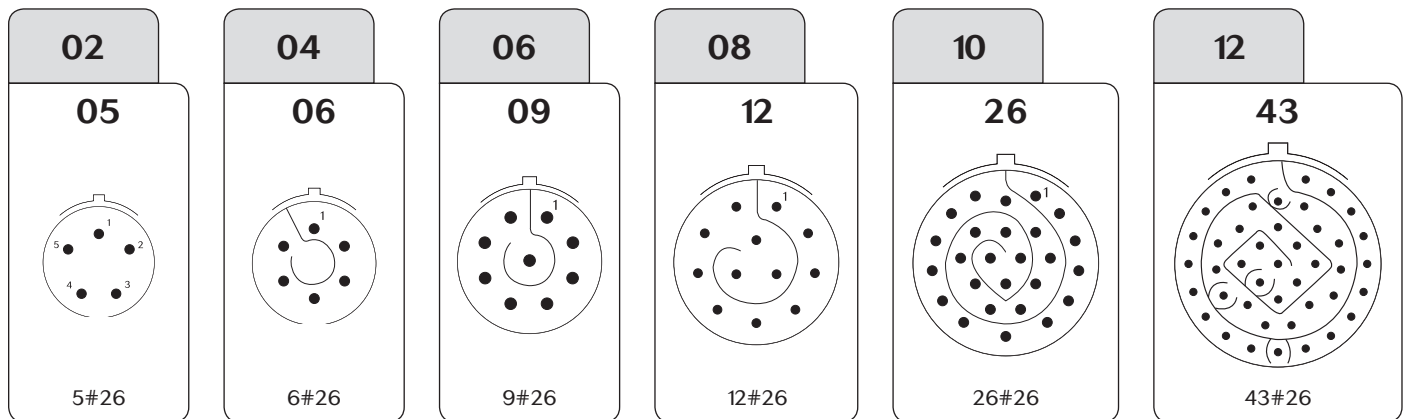
# 8STA Series

## High Density

### Ordering information

Basic series	8STA	6	12	43	P	N
<b>Shell type:</b>						
0: Oval flange receptacle						
1: In line receptacle						
2: Oval Flange receptacle with PCB contacts						
6: Plug						
7: Jam nut receptacle						
<b>Shell size:</b>						
02; 04; 06; 08; 10; 12						
<b>Contact layout:</b> See below						
<b>Type of contact:</b>						
P: Pin						
S: Socket						
<b>Orientation:</b>						
N: Red; A: Yellow; B: Blue; C: Orange; D: Green; E: Grey (shell size 02 only); U: Universal						
<b>Specification:</b>						
None : Standard crimp version						
499: Integrated clinch nut on the flange:						
. M2 insert (shell type 0 & 2 only for shell sizes 04 & 06)						
. M3 insert (shell type 0 & 2 only for shell sizes 08, 10 & 12)						
523: Light weight in line receptacle - for shell sizes 08 to 12 (shell type 1 only)						
528: Integrated clinch nut on the flange: M2.5 insert (shell type 0 & 2 only for shell sizes 04 & 06)						
566: Rackable plug - for shell sizes 10 & 12 (shell type 6 only)						

### Contact layouts



# 8STA Series PCB Connectors



## Description

- Derived from MIL-DTL-38999 & Eurofighter JN 1003, 8STA connectors use the extensive SOURIAU range of 38999 medium and high density signal contact layouts
- Rugged aluminium body to ensure long service life in the harshest environment
- 8STA PCB connectors are available in shell sizes 02 to 24 (12 sizes)
- 100% scoop proof
- Available with clinch nut
- 6 colour coded keyway orientations

## Technical features

### Mechanical

- **Shell:** Aluminium
- **Shell palting:** Conductive black zinc
- **Insulator:** Liquid silicone rubber
- **Seal:** Liquid silicone rubber
- **Contact:** Copper alloy
- **Contact plating:** Gold
- **Endurance:** 500 matings/unmatings
- **Shock:** 300g for 3ms and EIA-364-27
- **Vibration:** 147m/s<sup>2</sup>, 10 to 2000 Hz

### Electrical

- **Contact resistance:**
  - Size 26: 16 mΩ
  - Size 22D: 14.6 mΩ
  - Size 20: 7.3 mΩ
  - Size 16: 3.8 mΩ
- **Insulation resistance:**
  - ≥ 5000mΩ (at 500Vdc)
- **Contact rating:**
  - Size 26: 3 Amp
  - Size 22D: 5 Amp
  - Size 20: 7.5 Amp
  - Size 16: 13 Amp
- **Shell continuity:** ≤ 10mΩ

### Climatic

- **Temperature range:** -55°C to +175°C
- **Sealing mated connectors:**
  - IP 67 (1 metre for 30 min minimum)
- **Salt spray:** 48 hours

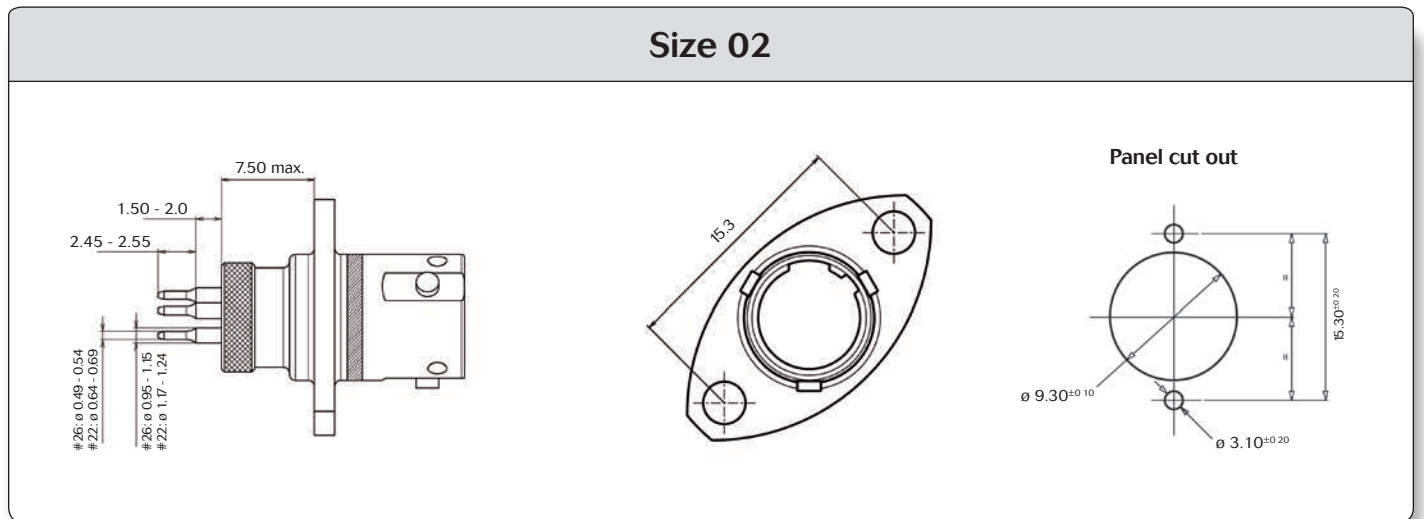
# 8STA Series

## PCB Connectors

### Ordering information

Basic series	8STA	2	12	35	P	N	-
<b>Shell type:</b> 2: Oval flange receptacle with PCB contacts							
<b>Shell size:</b> 02; 04; 06; 08; 10; 12; 14; 16; 18; 20; 22; 24							
<b>Contact layout:</b> See pages 10 to 13							
<b>Type of contact:</b> P: Pin S: Socket							
<b>Orientation:</b> N; A; B; C; D; E (E only for size 02)							
<b>Specification :</b> None: Standard version 499: Integrated clinch nut on flange (M2 for sizes 02, 04 & 06; M3 for sizes 08 to 24) 528: Integrated clinch nut on flange (M2.5 for sizes 02, 04 & 06) 571: Specific PC tail (length = 4.6mm) - only available for sizes 08 to 24 (see page 31) 625: Specific PC tail (length = 8.5mm) - only available for sizes 08 to 24 (see page 31)							

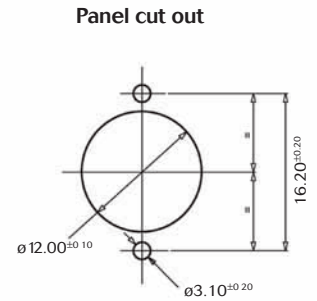
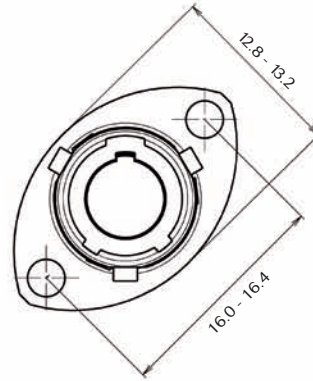
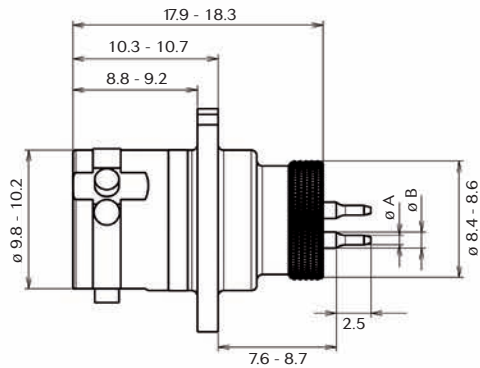
### Dimensions



Note: All dimensions are in millimeters (mm)

# 8STA Series PCB Connectors

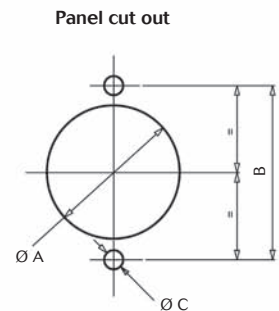
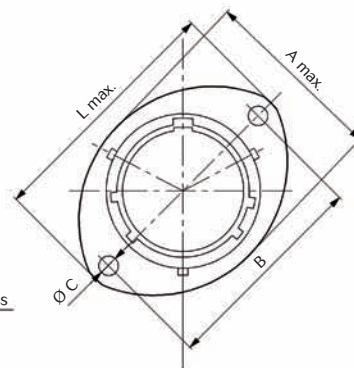
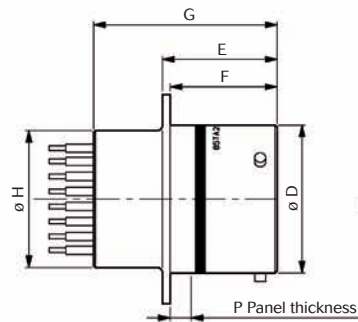
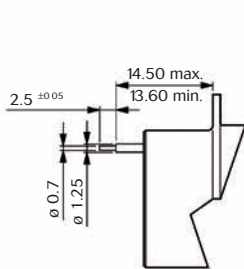
## Size 04



Layouts	Contacts	ø A	ø B
04-35	3 contacts #22D	0.64 / 0.69	1.19 / 1.24
04-05	5 contacts #26	0.49 / 0.54	1.1 / 1.15

For contact P/N, please consult us

## Sizes 08 to 24



Shell size	A max.	B ±0.20	ø C °	ø D +0.2	E °	F °	G max.	ø H max.	L max.	P max.	Panel cut out		
											ø A ±0.10	B ±0.20	ø C ±0.20
08	16.50	21.40	3.20	12.00	17.21	16.05	27.65	11.10	27.20	3.00	14.50	21.40	3.60
10	19.50	25.90		17.40							25.90		
12	24.00	29.10		21.90							29.10		
14	26.90	32.50		25.00							32.50		
16	30.30	34.80		28.20							34.80		
18	33.70	38.20		31.40							38.20		
20	37.00	41.60		34.60							41.60		
22	40.40	45.00		37.60							45.00		
24	43.40	49.50	3.77	38.10	18.20	15.29	36.40	55.80	41.00	49.50	4.10		

Note: All dimensions are in millimeters (mm)

# 8STA Series PCB Connectors

## Specific PCB versions

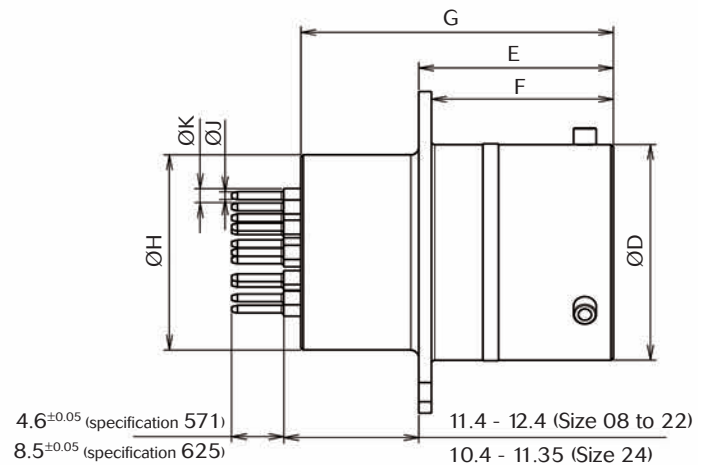
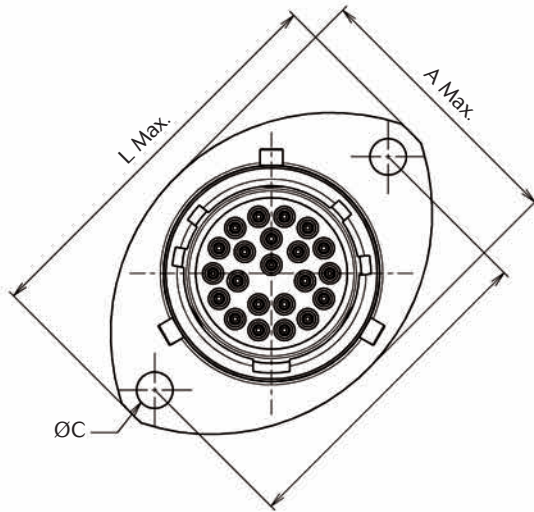
### Specification 571

Available from shell sizes 08 to 24 with layouts using contacts #22D et #20  
 Specific tail length = 4.6 mm  
 Also available with clinch nut: please consult us.

### Specification 625

Available from shell sizes 08 to 24 with layouts using contacts #22D et #20  
 Specific tail length = 8.5 mm  
 Also available with clinch nut: please consult us.

### Dimensions



4.6<sup>±0.05</sup> (specification 571)  
 8.5<sup>±0.05</sup> (specification 625)

11.4 - 12.4 (Size 08 to 22)  
 10.4 - 11.35 (Size 24)

Shell size	A Max	B <sup>±0.2</sup>	ØC <sup>±0.15</sup>	ØD <sup>±0.2</sup>	E <sup>±0.15</sup>	F <sup>±0.13</sup>	G Max	ØH Max	L Max
08	16.5	21.4	3.15	12	17.21	16.05	27.65	11.1	27.2
10	19.5	25.9		14.97				13.9	32
12	24	29.1		19.05				17.35	35.2
14	26.9	32.5		22.22				20.5	38.4
16	30.3	34.8		25.4				23.7	41
18	33.7	38.2		28.57				26.91	44.7
20	37	41.6		31.77				30.11	47.8
22	40.2	45	34.9	33.2	51				
24	43.4	49.5	3.77 <sup>±0.15</sup>	38.1	18.2	15.29	36.4	55.8	

Note: All dimensions are in millimeters (mm)

# 8STA Series Power Contacts



## Description

- A #4 contact for a wide range of wire sizes:  
Size 8, 10, 16, 25 & 35 mm<sup>2</sup>
- Easy visual wire identification:  
Coloured band on contact
- Allow the use of small wire sections:  
Reducer for wires 8 & 10 mm<sup>2</sup> in contact barrel 16mm<sup>2</sup>
- Ideal for high power applications:  
Up to 200A continuous (12-01 specif. 261)
- Space & cost saving with mixed connectors:  
Only one connector instead of 2 to transmit signal & power

## Technical features

### Mechanical

- **Shell:**  
Aluminium alloy
- **Shell plating:**  
Conductive black zinc
- **Insulator:**  
Thermoplastic
- **Grommet & seal:**  
Liquid silicone rubber
- **Contact:**  
Copper alloy
- **Contact plating:**  
Gold over nickel
- **Endurance:**  
500 mating cycles
- **Shock:**  
300g for 3ms and EIA-364-27
- **Vibration:**  
147m/s<sup>2</sup>, 10 to 2000Hz
- **Contact retention:**

Size 22D: 45 N	Size 20: 60 N
Size 16: 100 N	Size 12: 100 N
Size 8: 110 N	Size 4: 200 N

### Climatic

- **Operating temperature:**  
-55°C to +175°C
- **Sealing mated connectors:**  
IP67 (1 metre for 30 min minimum)
- **Salt spray:**  
48 hours

### Electrical

- **Test voltage:**

Service	M	N	I	II
Sea level	1300	1000	1800	2300

- **Contact resistance:**

Size 22D:	14.6 mΩ
Size 20:	7.3 mΩ
Size 16:	3.8 mΩ
Size 12:	3.5 mΩ
Size 8:	3 mΩ
Size 4:	2 mΩ
- **Insulation resistance:**  
≥ 5000 mΩ (at 500 Vdc)
- **Contact rating:**

Size 22D:	5 A
Size 20:	7.5 A
Size 16:	13 A
Size 12:	23 A
Size 8:	45 A
Size 4:	80 A
- **Shell continuity:**  
≤10 mΩ



# 8STA Series

## Power Contacts

### Ordering information

<b>Basic series</b>	<b>8STA</b>	<b>0</b>	<b>12</b>	<b>01</b>	<b>P</b>	<b>N</b>	<b>261</b>
<b>Shell type</b>							
0: Oval flange receptacle (for front or rear mounting)							
1: In-line receptacle							
6: Plug							
7: Jam nut receptacle							
<b>Shell size: 10 - 12 - 16 - 18 - 20 - 24</b>							
<b>Contact layout:</b> See below							
<b>Type of contact</b>							
P: Pin      A: without pin contacts (specifications 261 & 545 only)							
S: Socket    B: without socket contacts (specifications 261 & 545 only)							
<b>Orientation: N: Red / A: Yellow / B: Blue / C: Orange / D: Green / U: Universal</b>							
<b>Specification</b>							
None: for contact layouts 20-48 & 24-44							
251: for contact layouts 10-80, 16-02, 16-75, 18-18, 20-75, 20-78, 24-07, 24-41 & 24-46							
261: only for 12-01							
540: Layout 12-01 with protected socket							
545: Layout 24-44 - delivered with contact #16 & without contact #4							

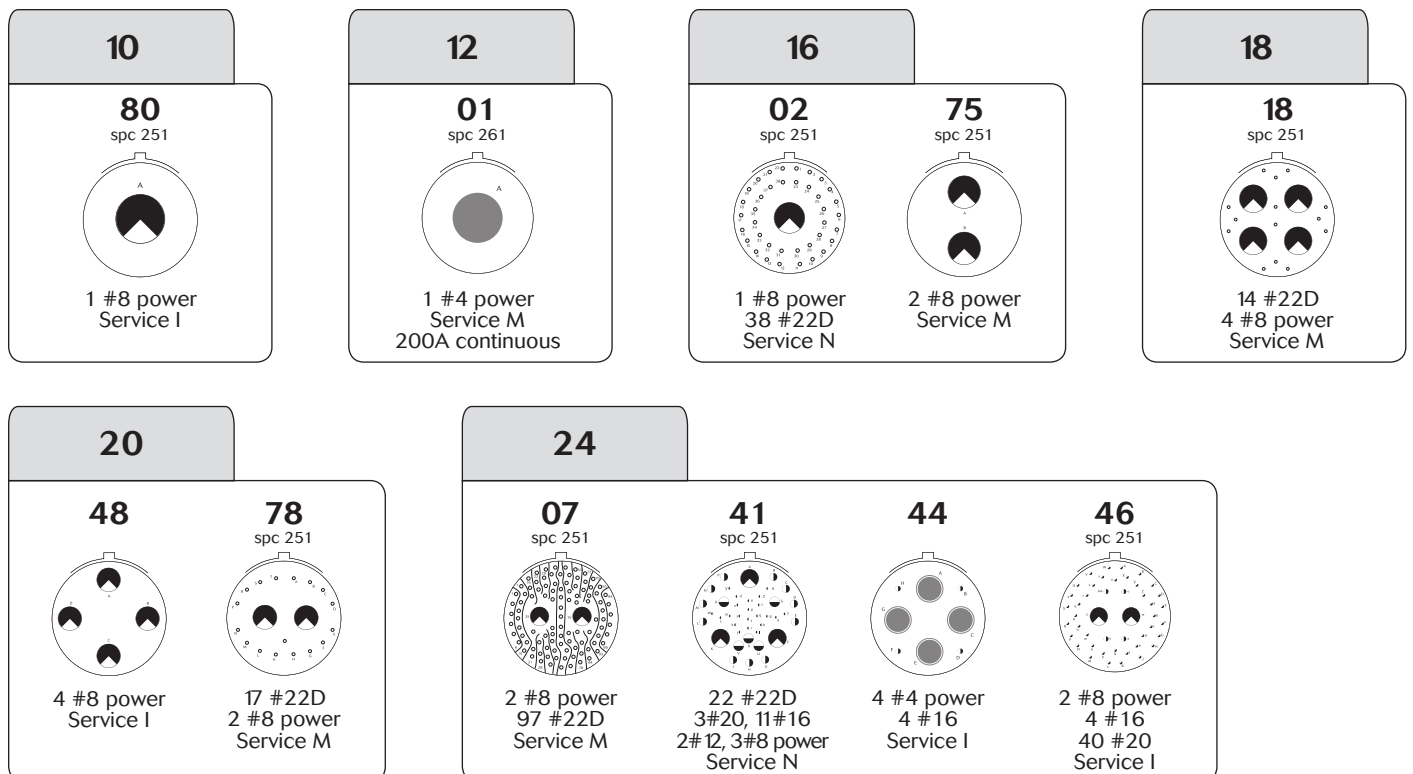
Note : (layout 12-01 specif. 261 only)

- Standard connector (8STA $x$ 1201 $yz$ 261 where  $x$  = shell type;  $y$  = type of cts;  $z$  = orientation) is provided with power contacts for 16mm<sup>2</sup> wire.
- For 10mm<sup>2</sup> wire, order standard connector (note 1) + reducing sleeve 8400 2351 A separately.
- For 25mm<sup>2</sup> wire, order connector without contact, see A & B details in type of contact (ex : 8STA $x$ 1201Az261 or Bz261) + contact separately (pin : 8599 7598 900 & socket : 8599 7599 900)
- For 35mm<sup>2</sup> wire, order connector without contact, see A & B details in type of contact (ex : 8STA $x$ 1201Az261 or Bz261) + contact separately (pin : 8599 0313 & socket : 8599 0316)

Note : (layout 24-44 specif. 545 only)




Specif. 545 = connector delivered with contact #16 & without power contact #4 & boots, power contact #4 to be ordered separately according wire section to be used (see table next page)

### Contact layouts



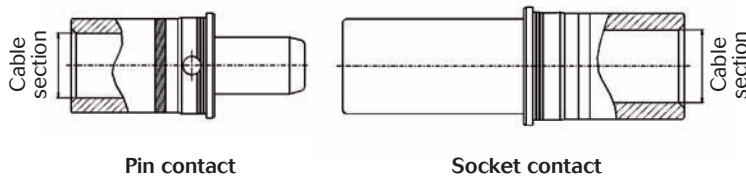
# 8STA Series Power Contacts

## Power contacts

Designation	Wire 16 mm <sup>2</sup>	Wire 25 mm <sup>2</sup>	Wire 35 mm <sup>2</sup>
	Removable contact		Non removable contact
Colour band	 Red	 Blue	 Green
Pin contact	8599 7520A 900	8599 7598 900	8599 0313
Socket contact	8599 7521A 900	8599 7599 900	8599 0316
Reducer - wire 8 & 10 mm <sup>2</sup>	8400 2351A	-	-
Crimping tool	M22520/23-01 + Die M22520/23-04 + Positionner M22520/23-11  And for wider wire 50 mm <sup>2</sup> : M22520/23-01 + Die WA23-4 + Positionner WA23-176L	M22520/23-01 + Die M22520/23-04 + Positionner M22520/23-11	M22520/23-01 + Die 8599-0319 + Positionner 8599-0318 (male) + Positionner 8599-0317 (female)
Plastic extraction tool	M81969/14-07 (blue)		-

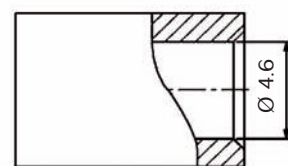
## Dimensions

### Size 4 power contact

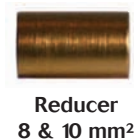


Contact	Cable section		
	16 mm <sup>2</sup>	25 mm <sup>2</sup>	35 mm <sup>2</sup>
Pin/Socket	Ø6.5 Min.	Ø7.33 Min.	Ø8.65 Min.
Colour band	Red	Blue	Green

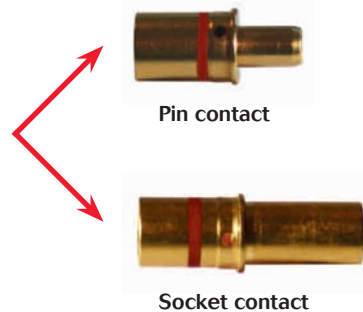
### Reducer for wire 8 & 10 mm<sup>2</sup>



Compatible with pin & socket contact / wire 16 mm<sup>2</sup>



Reducer  
8 & 10 mm<sup>2</sup>



# 8TA Series

## Compact Low Profile



## Description

- Rugged aluminium body to ensure long service life in the harshest environment
- Compact low profile derived from MIL-DTL-38999 Series 2
- 6 gold plated #22D contacts
- Environment sealing from interfacial seal and rear grommet
- Positive locking mechanism with locked colour indicators 3 keyway orientations
- Not scoop proof
- Conductive black zinc plating

## Technical features

### Mechanical

- **Shell:**  
Aluminium alloy
- **Shell plating:**  
Conductive black zinc
- **Insulator:**  
Thermoplastic
- **Grommet & seal:**  
Liquid silicone rubber
- **Contact:**  
Copper alloy
- **Contact plating:**  
Gold
- **Endurance:**  
500 matings/unmatings operations
- **Shock:**  
300g for 3ms and EIA-364-27
- **Vibration:**  
random 100 to 1000 Hz - 1 g<sup>2</sup>/Hz
- **Contact retention:**  
45 N

### Climatic

- **Operating temperature:**  
-55°C to +175°C
- **Sealing mated connectors:**  
IP67 (1 metre for 30 min minimum)
- **Salt spray:**  
48 hours

### Electrical

- **Test voltage:**  
1300 Vrms (sea level)
- **Contact resistance:**  
<14.6 mΩ
- **Insulation resistance:**  
≥ 5000 mΩ (at 500 Vdc)
- **Contact rating:**  
5 A
- **Shell continuity:**  
<60 mΩ

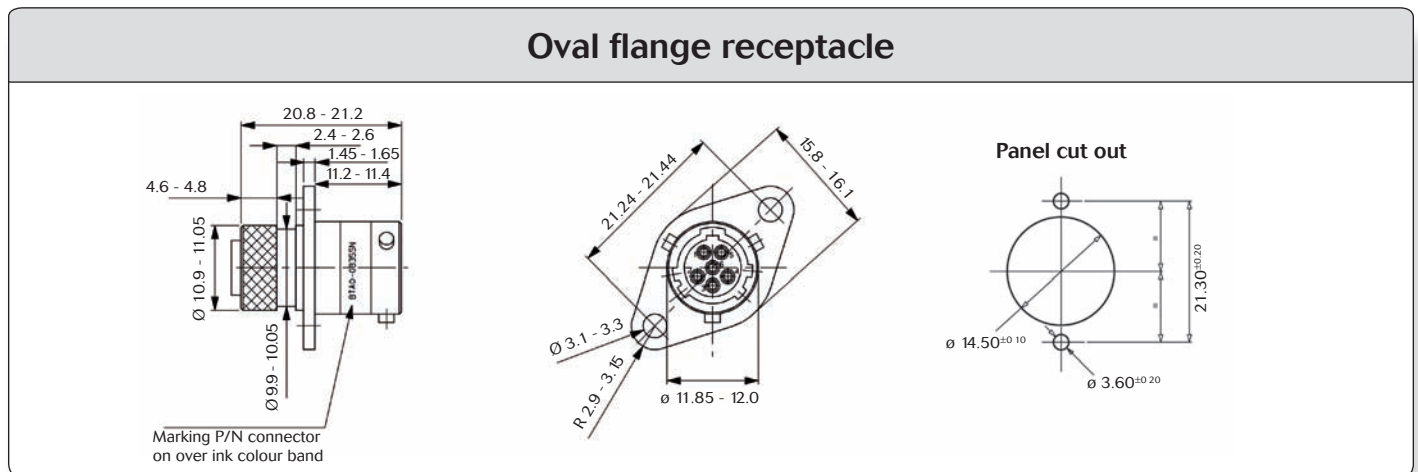
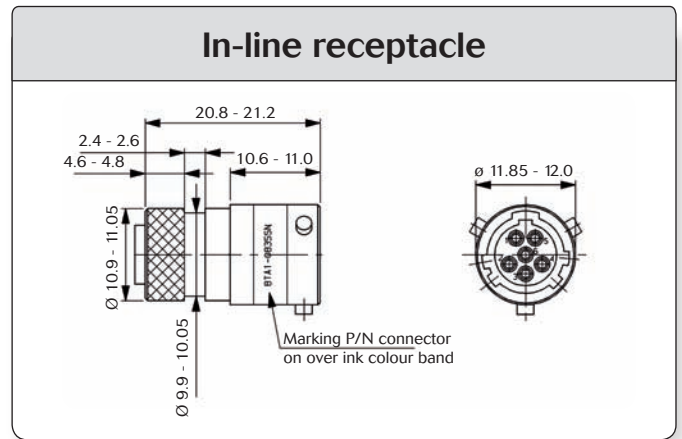
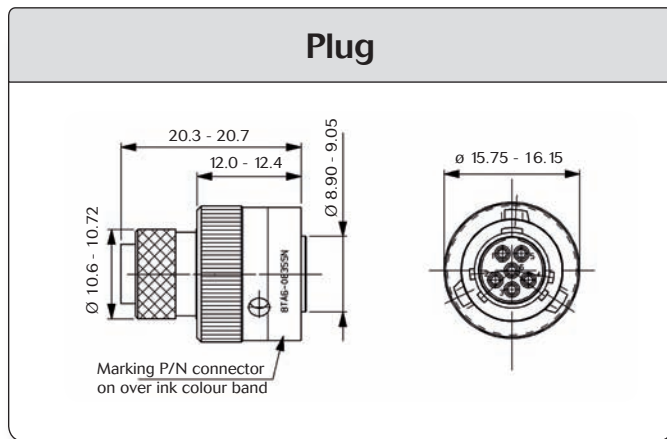
# 8TA Series

## Compact Low Profile

### Ordering information

Basic series	8TA	0	08	35	P	N
Shell type	<ul style="list-style-type: none"> <li>0: Oval flange receptacle (for front or rear mounting)</li> <li>1: In-line receptacle</li> <li>6: Plug</li> <li>7: Jam nut receptacle</li> </ul>					
Shell size	08					
Contact layout	35 (6 contacts #22D)					
Type of contact	<ul style="list-style-type: none"> <li>P: Pin</li> <li>S: Socket</li> </ul>					
Orientation	N: Red / A: Yellow / D: Green					

### Dimensions

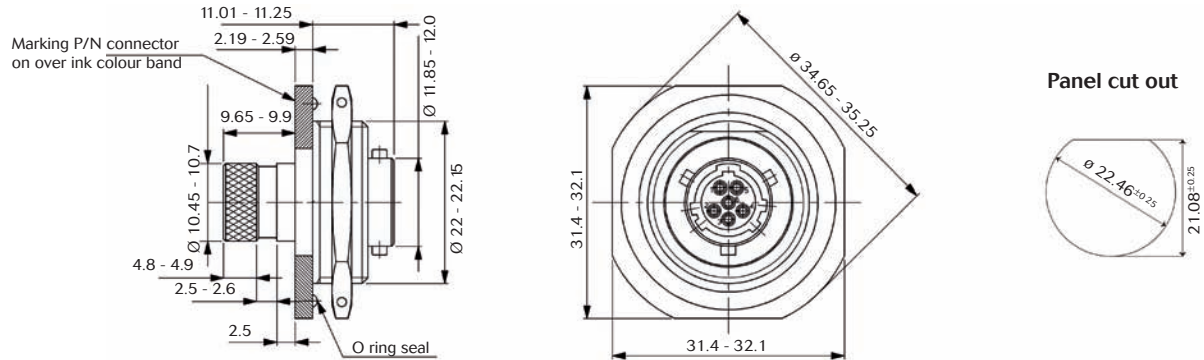


Note: All dimensions are in millimeters (mm)

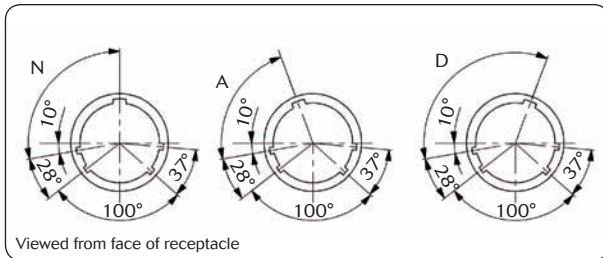
# 8TA Series

## Compact Low Profile

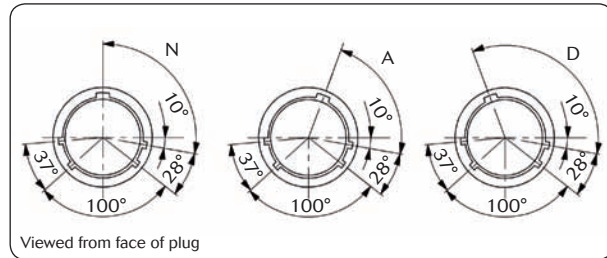
### Jam nut receptacle



### Orientation



Viewed from face of receptacle



Viewed from face of plug

Key positions	Alpha 1	Colour band
N	100°	Red
A	82°	Yellow
D	118°	Green

OSTA  
Series



8STA/8TA Series

# Derived Series

■ Quick release for steering boss system .....	40
■ Blind mating plug .....	42
■ Through bulkhead .....	44
■ Hermetic shell size O2 .....	46
■ Hermetic fuel tank .....	48
■ Fuel immersible .....	50



# 8STA Series

## Quick Release for Steering Boss System



### Description

- Rugged aluminium body to ensure long service life in the harshest environment.
- 100% scoop proof.
- Available in 2 shell sizes: 10 & 12 (Please consult us for other sizes).
- Standard insulators shell sizes 10 & 12 available.

### Technical features

#### Mechanical

- **Shell:**  
Aluminium
- **Shell plating:**  
Conductive black zinc
- **Insulator:**  
Thermoplastic
- **Grommet & seal:**  
Liquid silicone rubber
- **Contact:**  
Copper alloy
- **Contact plating:**  
Gold

- **Endurance:**  
500 matings/unmatings operations
- **Shock:**  
300g for 3ms and EIA-364-27
- **Vibration:**  
147m/s<sup>2</sup>, 10 to 2000Hz

#### Climatic

- **Operating temperature:**  
-55°C to +175°C
- **Sealing mated connectors:**  
IP67 (1 metre for 30 min minimum)
- **Salt spray:**  
48 hours

### Electrical

- **Contact resistance:**  
Size 22D: 14.6mΩ  
See 8STA catalog for other contact size.
- **Insulation resistance:**  
≥ 5000mΩ @ 500Vdc
- **Contact rating:**  
Size 22D: 5 Amp  
See 8STA catalog for other contact size.
- **Shell continuity:**  
≤ 10mΩ

### Ordering information

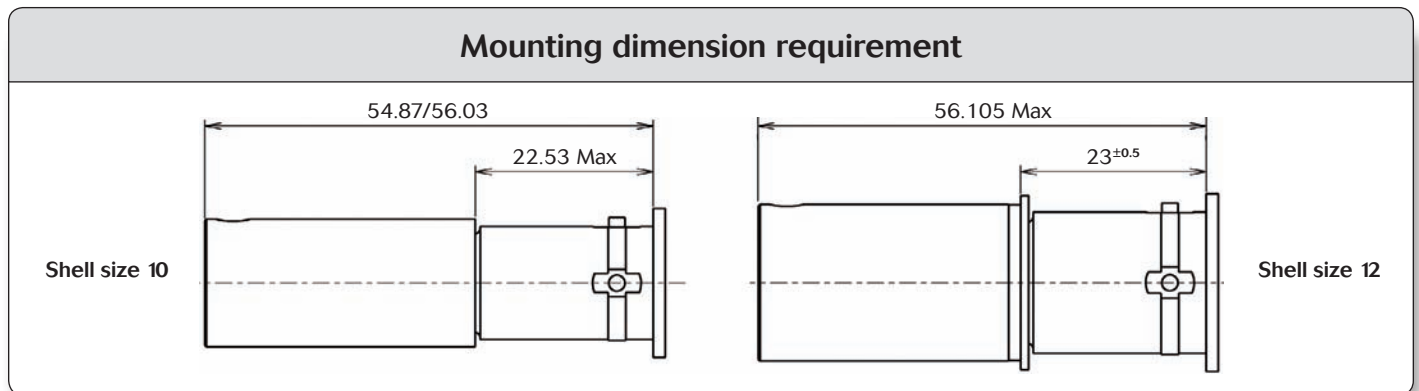
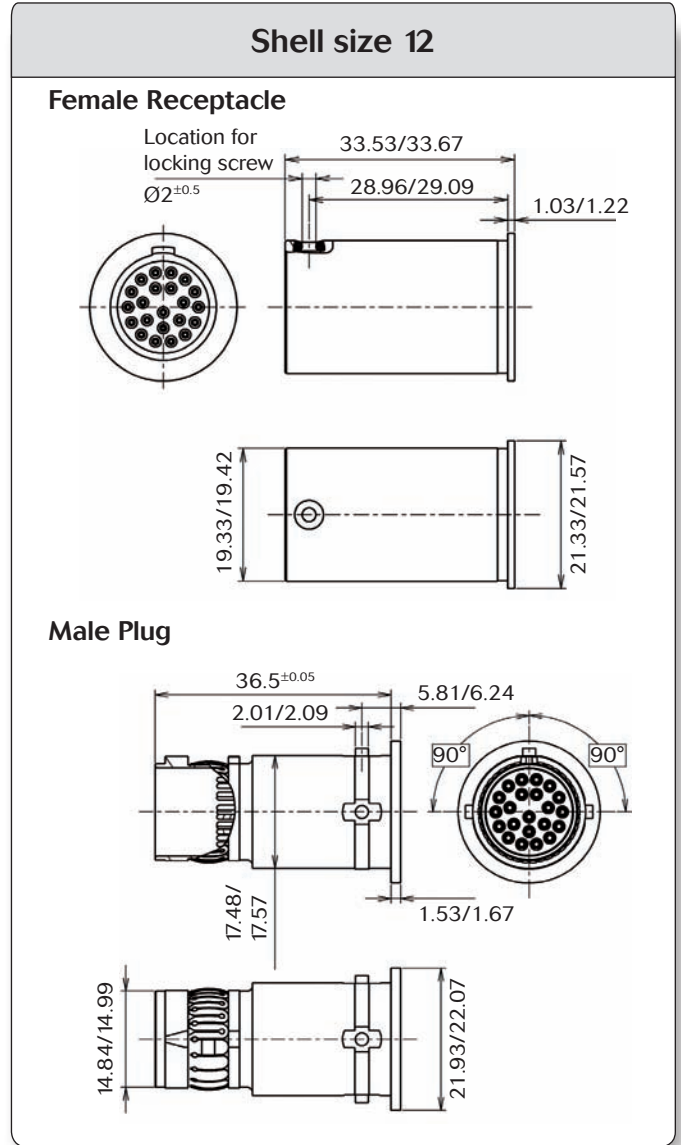
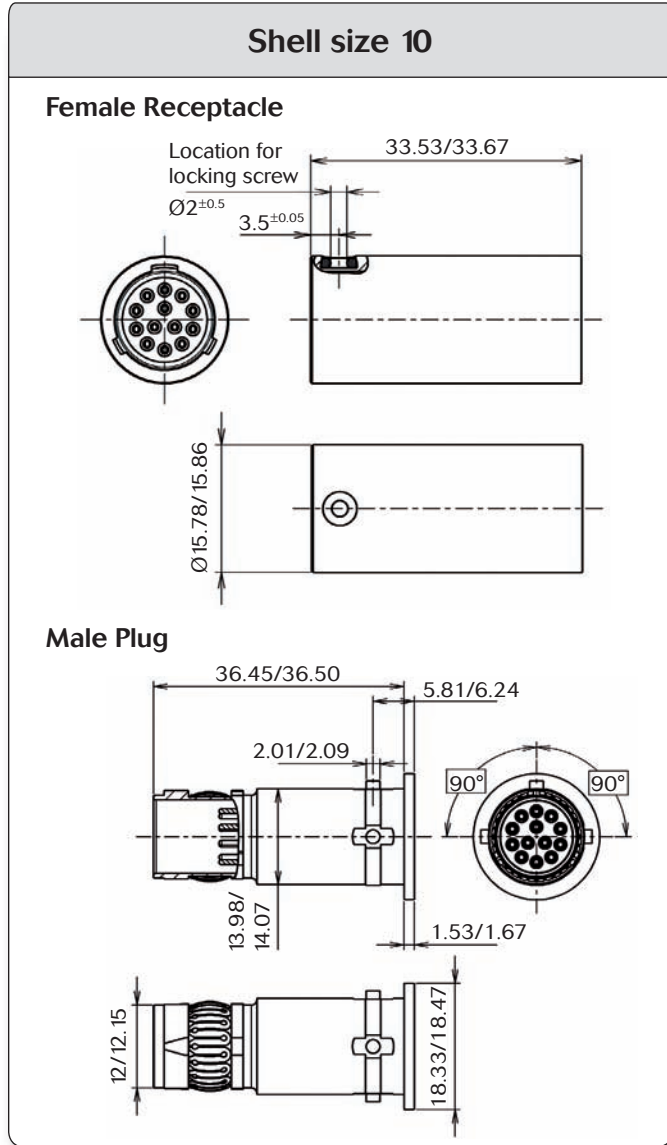
Basic series	8STA	6	12	35	P	N	518
Shell type							
0: Receptacle side							
6: Plug side							
Shell size: 08 (consult us) - 10 - 12							
Contact layout: See pages 10 to 13							
Type of contact							
P: Pin							
S: Socket							
Orientation: N							
Specification (mandatory)							
518: Steering column							



# 8STA Series

## Quick Release for Steering Boss System

### Dimensions



Note: All dimensions are in millimeters (mm)

# 8STA Series Blind Mating Plug



## Description

- Blind mating solution for quick connection in hard-to-reach areas.
- Specific 8STA plug:
  - . Compensating for misalignment in 3 axes.
- Blind connection:
  - . Easy & fast connection without any coupling / uncoupling between float-mounting unit & fixed unit.
  - . 100% Scoop proof.
- A versatile product:
  - . Available in sizes 10, 12, 14 & 16
  - . All layouts according connector shell size.
  - . Available in crimp contacts.
- Mandatory mating part:
  - . Standard jam nut receptacle 8STA7

## Technical Features

### Mechanical

- Shell: Aluminium alloy
- Shell plating: Conductive black zinc
- Insulator: Thermoplastic
- Grommet & seal: Liquid silicone rubber
- External cover: Green fluoro silicone
- Contact: Copper alloy
- Contact plating: Gold
- Contact retention:
  - . Size 22D: 45N    Size 20: 60N
  - . Size 16: 100N    Size 12: 100N
  - . Size 8: 110N    Size 4: 200N
- Flange dimension:
  - . Flange of plug size 16 equivalent to receptacle size 22
  - . Flange of plug size 14 equivalent to receptacle size 20
  - . Flange of plug size 12 equivalent to receptacle size 18
  - . Flange of plug size 10 equivalent to receptacle size 16

### Climatic

- Temperature range: -55°C to +175°C
- Sealing mated connectors:
  - . IP67 (1 meter for 30 min. minimum)
- Salt spray: 48 hours

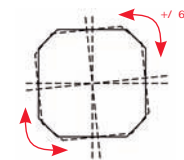
### Electrical

- Test voltage

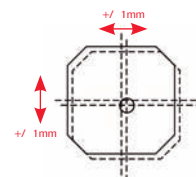
Service	M	N	I	II
Sea level	1300	1000	1800	2300

- Contact resistance:
  - . Size 22D: 4.6 mΩ
  - . Size 20: 7.3 mΩ    Size 16: 3.8 mΩ
  - . Size 12: 3.5 mΩ    Size 4: 2 mΩ
- Insulation resistance:
  - . ≥ 5000 mΩ (at 500 Vdc)
- Contact rating:
  - . Size 22D: 5A    Size 20: 7.5A
  - . Size 16: 13A    Size 12: 23A
  - . Size 8: 45A    Size 4: 80A

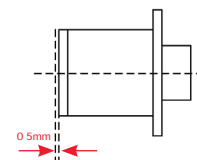
## Compensating for misalignment in 3 axes



Angular



Axial



Longitudinal

# 8STA Series

## Blind Mating Plug

### Ordering information

Series	8STA	6	12	35	S	N	566
Shell style	6: Plug						
Shell size	10, 12, 14, 16						
Contact layouts	See pages 10 to 13						
Type of contacts	P: Pin contacts S: Socket contacts						
Orientation	N: Red						
Specification (mandatory)	566: Rackable plug						

### Dimensions

#### Plug Type 6

**Mated Connector**  
(plug type 6 & jam nut receptacle type 7)

Shell size	$\text{ØA}^{+0.3}_{-0}$	$\text{ØB}^{+0.2}_{-0}$	$\text{ØC}$	$\text{D}^{+0.4}_{-0}$	E	F
10	25.17	12.85	13.72	34.60	41.00	30.30
12	28.35	15.92	17.26	38.00	44.70	33.70
14	31.52	18.90	20.41	41.40	47.90	37.00
16	34.70	22.08	23.60	44.80	51.00	40.40

Note: All dimensions are in millimeters (mm)

# 8STA Series Through Bulkhead

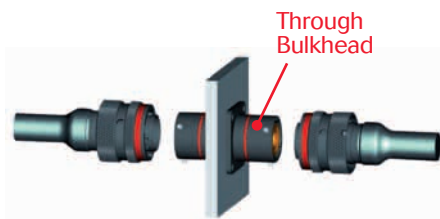


## Description

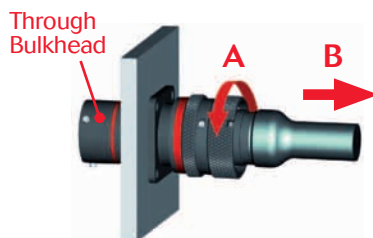
- Significant time saving advantage over conventional plugs & receptacles: «Double receptacle» mounted on panel
- Male / female single way power contact #4 in a shell size 12
- Easy identification with colour coded bands: 5 visual keyway orientations
- Simplified connection through a bulkhead, eliminating hard wiring to the panel on one side
- Ideal for external use (dust, water etc.): IP67 (Interfacial & mating seals)

## Technical features

- Easy mating/unmating on both sides of the bulkhead



- Simplifies maintenance procedures having a detachable connector on each side of the bulkhead



## Mechanical

- **Shell:**  
Aluminium alloy
- **Shell plating:**  
Conductive black zinc
- **Insulator:**  
Thermoplastic
- **Grommet & seal:**  
Liquid silicone rubber
- **Contact:**  
Copper alloy
- **Contact plating:**  
Gold over nickel
- **Endurance:**  
500 mating cycles
- **Shock:**  
300g for 3ms and EIA-364-27
- **Vibration:**  
147m/s<sup>2</sup>, 10 to 2000Hz
- **Contact retention:**  
200 N

## Climatic

- **Operating temperature:**  
-55°C to +175°C
- **Sealing mated connectors:**  
IP67 (1 metre for 30 min minimum)
- **Salt spray:**  
48 hours

## Electrical

- **Test voltage:**  
1300 Vrms (sea level)
- **Contact resistance:**  
2 mΩ
- **Insulation resistance:**  
≥ 5000 mΩ (at 500 Vdc)
- **Contact rating:**  
200A for use in 35°C max environment  
For derating curve, please contact us

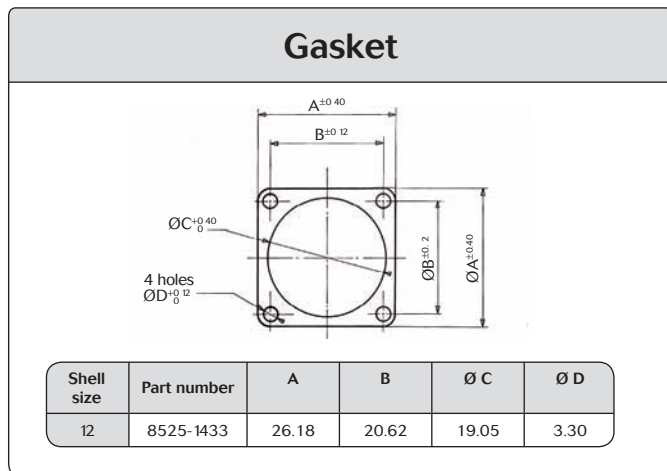
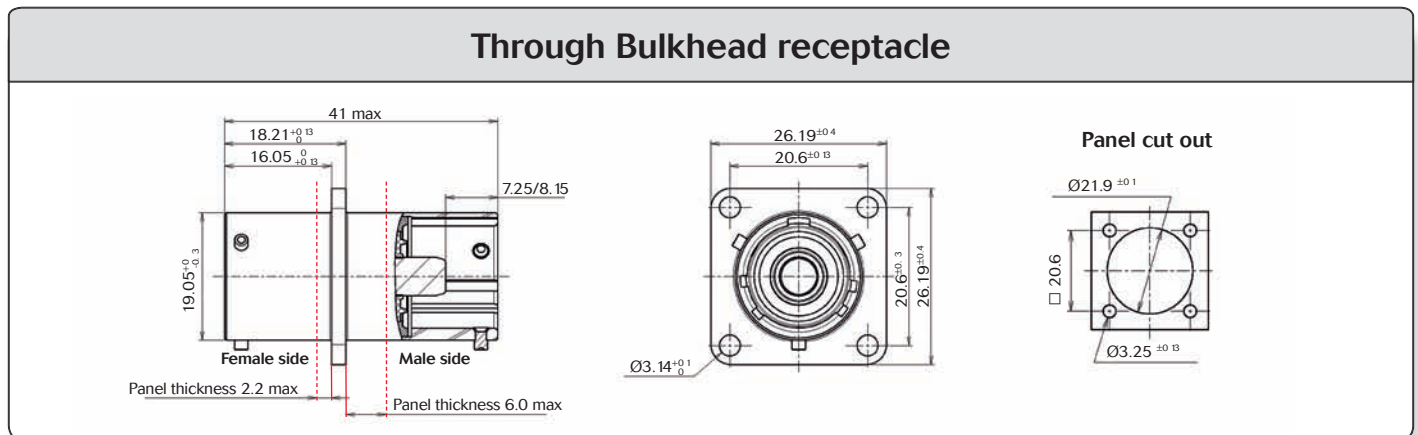
# 8STA Series

## Through Bulkhead

### Ordering information

Basic series	8STA	0	12	01	PS	N	500
Shell type	0: Receptacle						
Shell size	12						
Contact layout	01: 1 power contact #4						
Type of contact	PS: Pin + Socket contacts						
Orientation	N: Red / A: Yellow / B: Blue / C: Orange / D: Green / U: Universal						
Specification (mandatory)	500: Through Bulkhead connector						

### Dimensions



Note: All dimensions are in millimeters (mm)

# 8STA Series

## Hermetic Shell Size 02



## Description

- The smallest hermetic circular 5 way PC tail connector on the market
- Lightweight 8STA connector: 3 grs max
- Suitable for welding directly to sensor bodies: Designed for weld fixing
- Excellent corrosion resistance: Stainless steel body
- Excellent hermeticity: Hermetic glass bead ( $1.10^{-7}$  cm<sup>3</sup>/s)
- Intermateable with standard plug size 02-05
- Easy identification with colour coded bands: 7 visual keyway orientations
- Rapid & secure locking system with audible click: Bayonet connector

## Technical features

### Mechanical

- **Shell:**  
Stainless steel
- **Shell plating:**  
Passivated
- **Insulator:**  
Glass bead
- **Contact:**  
Iron-Nickel (NiFe2)
- **Contact plating:**  
Nickel
- **Endurance:**  
500 mating cycles
- **Shock:**  
300g for 3ms and EIA-364-27
- **Vibration:**  
10 to 2000 Hz 30g

### Climatic

- **Operating temperature:**  
-55°C to +175°C
- **Sealing mated connectors:**  
IP67 (1 meter for 30 min minimum)
- **Salt spray:**  
48 hours
- **Hermeticity:**  
 $1.10^{-7}$ cm<sup>3</sup>/s

### Electrical

- **Test voltage:**  
400V (sea level)
- **Contact resistance:**  
2 mΩ
- **Insulation resistance:**  
≥5000MΩ (at 500Vdc)
- **Contact rating:**  
3 Amp

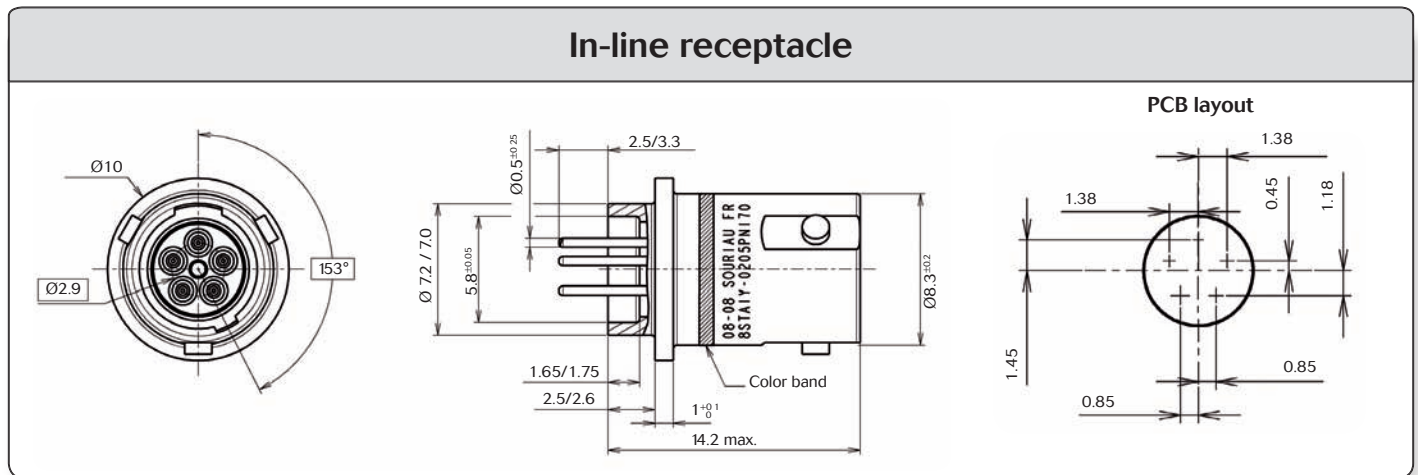
# 8STA Series

## Hermetic Shell Size 02

### Ordering information

Basic series	8STA	1	y	02	05	P	N	170
Shell type	1: In-line connector							
Class	y: Hermetic version							
Shell size	02							
Contact layout	05: 5 straight PCB contacts #26							
Type of contact	P: Pin contacts							
Orientation	N: Red / C: Orange - <i>please consult us for other keyway</i>							
Specification (mandatory)	170: Hermetic shell size 02							

### Dimensions



Note: All dimensions are in millimeters (mm)

# 8STA Series

## Hermetic Fuel Tank



## Description

- Hermetically sealed connector:  
1.10<sup>-7</sup> cm<sup>3</sup>/s @ 15PSI
- Withstands pressure differential without loss of electrical performances: Glass to metal insert
- Excellent resistance to racing fuels & fluids: Viton® interfacial seal
- Excellent corrosion resistance: Stainless steel material
- Low profile design for heat shrink boot & cost effective connector
- Integrated backshell

## Technical features

### Mechanical

- **Shell:** Stainless steel
- **Shell plating:** Passivated
- **Insulator:** Glass bead
- **Contact:** Nickel iron
- **Contact plating:** Gold
- **Endurance:** 500 mating cycles
- **Shock:** 300g for 3ms and EIA-364-27
- **Vibration:** 10 to 2000 Hz 30g

### Climatic

- **Operating temperature:**  
-55°C to +175°C
- **Sealing mated connectors:**  
IP67 (1 meter for 30 min minimum)
- **Salt spray:**  
48 hours
- **Hermeticity:**  
1.10<sup>-7</sup>cm<sup>3</sup>/s

### Electrical

- **Test voltage:**  
Service I: 1800V  
Service M: 1300V
- **Contact resistance:**  
2 mΩ
- **Insulation resistance:**  
≥5000MΩ (at 500Vdc)
- **Contact rating:**  
Size 16: 10 A  
Size 20: 5 A  
Size 22D: 3 A

## Ordering information

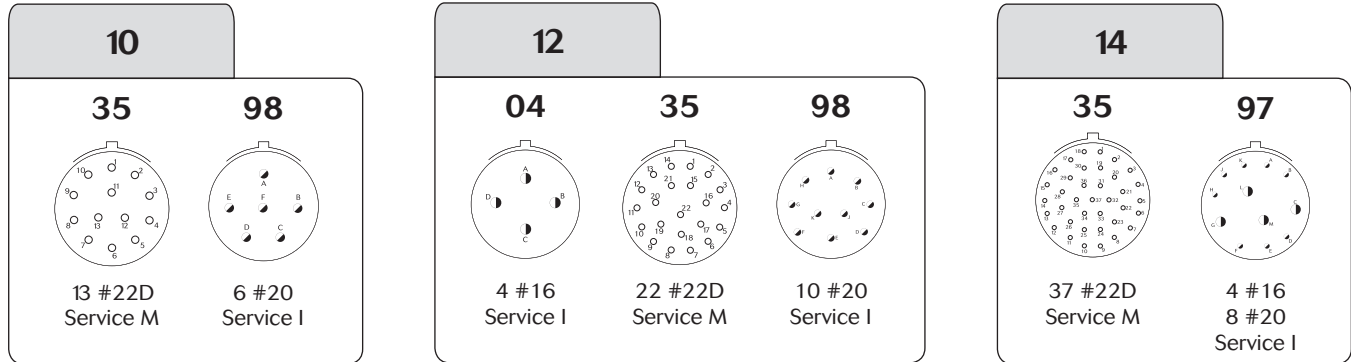
Basic series	8STA	7	y	10	98	P	N	022
Shell type	7: Jam nut receptacle							
Class	y: Hermetic version							
Shell size	10, 12, 14							
Contact layout	See next page for layouts available							
Type of contact	P: Pin contacts							
Orientation	N: Red <i>(please consult us for other orientation)</i>							
Specification (mandatory)	022: Fuel immersible version							



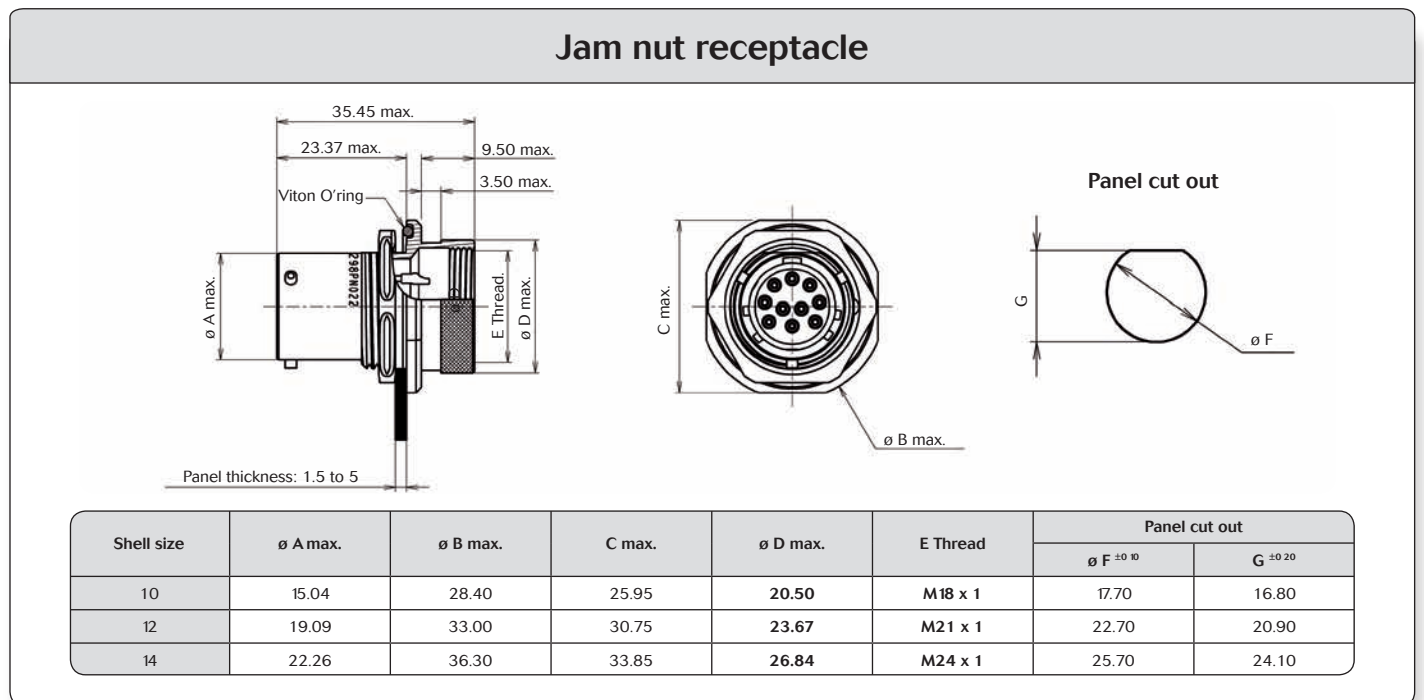
# 8STA Series

## Hermetic Fuel Tank

### Contact layouts (viewed from front face of male insulator)



### Dimensions



Note: All dimensions are in millimeters (mm)

# 8STA/8TA Series

## Fuel Immersible



## Description

- Available for 8STA & 8TA Series
- Continuous immersion without loss of performance: Special fuel resistant insert
- Excellent connector sealing on panels by using the jam nut version

## Technical features

### Mechanical

- **Shell:**  
Aluminium alloy
- **Shell plating:**  
Conductive black zinc
- **Insulator:**  
Thermoplastic
- **Grommet & seal:**  
Fluoroelastomer
- **Contact:**  
Copper alloy
- **Contact plating:**  
Gold
- **Endurance:**  
500 mating cycles
- **Shock:**  
300g for 3ms and EIA-364-27
- **Vibration:**
  - . 8STA: 147m/s<sup>2</sup>, 10 to 2000Hz
  - . 8TA: random 100 to 1000 Hz - 1G<sup>2</sup>/Hz
- **Contact retention:** (8TA: Size 22D only)

Size 22D:	45 N
Size 20:	60N
Size 16:	100 N
Size 12:	100 N

### Climatic

- **Operating temperature:**  
-55°C to +175°C
- **Sealing mated connectors:**  
IP67 (1 metre for 30 min minimum)
- **Salt spray:**  
48 hours

### Resistance to fluids

- **Withstands most of Motorsport fluids**

### Electrical

- **Test voltage:**  
1300 Vrms
- **Contact resistance:** (8TA: Size 22D only)

Size 22D:	14.6 mΩ
Size 20:	7.3 mΩ
Size 16:	3.8 mΩ
Size 12:	3.5 mΩ
- **Insulation resistance:**  
≥ 5000 mΩ (at 500 Vdc)
- **Contact rating:** (8TA: Size 22D only)

Size 22D:	5 A
Size 20:	7.5 A
Size 16:	13 A
Size 12:	23 A
- **Shell continuity:**  
≤10 mΩ

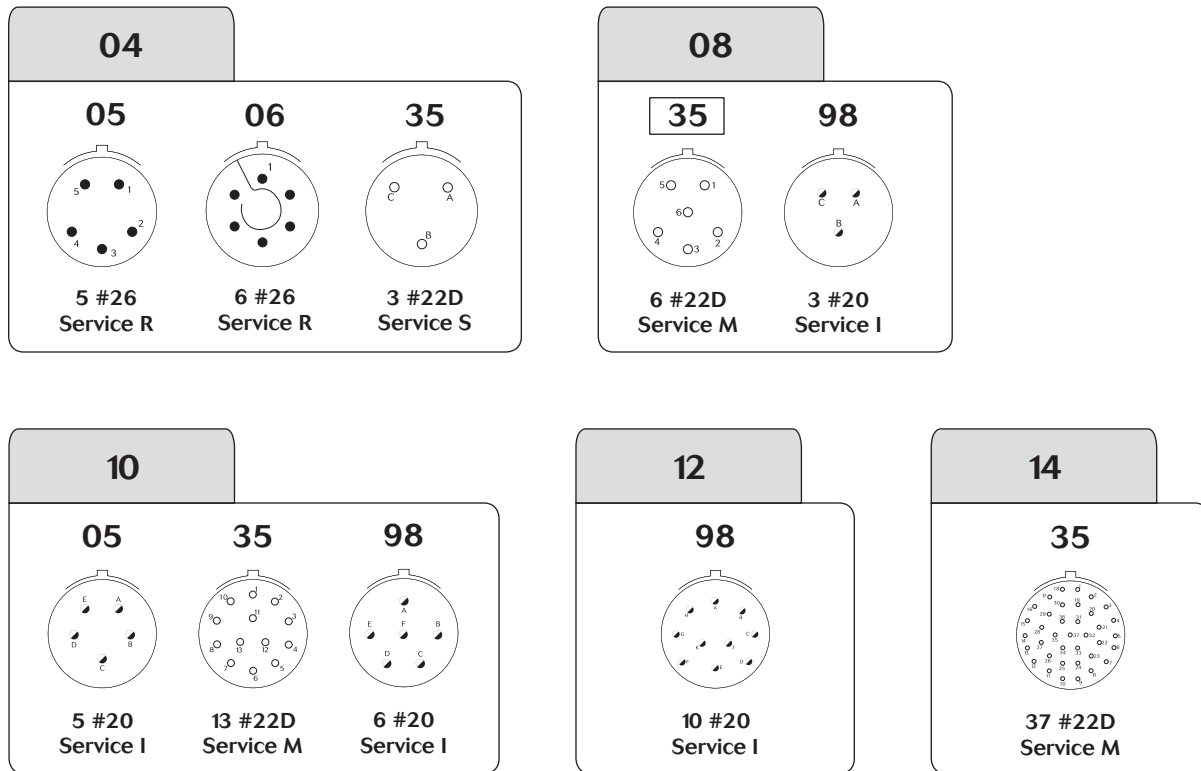
# 8STA/8TA Series

## Fuel Immersible

### Ordering information

Basic series	8STA 8TA	0 0	08 08	35 35	P P	N N	022 022
<b>Shell type</b>							
0: Oval flange receptacle							
1: In-line receptacle							
6: Plug							
7: Jam nut receptacle							
<b>Shell size</b>							
04, 08, 10, 12, 14, 16							
<b>Contact layout</b>							
See below							
<b>Type of contact</b>							
P: Pin contacts							
S: Socket contacts							
<b>Orientation</b>							
N: Red / A: Yellow / D: Green							
<b>Specification (mandatory)</b>							
022: Fuel immersible version							

### Contact layouts



For both 8STA & 8TA, all others being for 8STA only.

OSTA  
Series



8STA/8TA Series

# Common Section

■	Contacts:	
	Crimp contacts .....	54
	PCB contacts .....	55
■	Tooling:	
	Crimping tools .....	56
	Wire stripping .....	57
	Insertion & extraction tools .....	57
■	Accessories:	
	Filler plugs .....	58
	Boots .....	58
	Shrinkable termination detail .....	59
	Nut plates .....	59
	Gaskets .....	59
	Metal protective caps .....	60

# 8STA/8TA Series

## Common Section

### Contacts

#### Crimp contacts

Contact size	Shell size & layout	Contact type	Contact Ø max.	Part numbers	Admissible wire section				External Ø over insulation (mm)		
					mm <sup>2</sup>		AWG		Min.	Max.	
					Min.	Max.	Min.	Max.			
26 High Density	Shell sizes 08 to 24	Male	0.50	8599-0297	0.055	0.215	30	24	0.60	0.83	
		Female		8599-0298							
	04-05	Male	0.50	8599-0777 LY	0.095	0.24	30	24	0.60	0.83	
		Female		8599-0778 900							
	02-05; 04-06 06-09	Male		8599-1001							
		Female		8599-1002							
22D Signal contact	Shell sizes 08 to 24	Male	0.76	8599-0702 JJ	0.09	0.38	28	22	0.76	1.37	
		Female		8599-0706 900							
	02-35; 04-35 06-35 08-35 (8TA only)	Male	0.76	8599-0702 JJ	0.095	0.38	28	22	0.71	1.37	
		Female		8599-0710 900							
20 Signal contact	Shell sizes 08 to 24	Male	1.00	8599-0703 SA	0.21	0.60	24	20	1.02	2.11	
		Female		8599-0707 900							
16 Signal contact	Shell sizes 08 to 24	Male	1.60	8599-0704 MJ	0.60	1.34	20	16	1.65	2.77	
		Female		8599-0708 900							
16 Coaxial contact	Shell sizes 08 to 24	Male	1.60	M39029/76 424	RG 174; RG 179; RG 316				1.65	2.60	
		Female		M39029/77 428							
12 Signal contact	Shell sizes 08 to 24	Male	2.40	8599-0705 MJ	1.91	3.18	14	12	2.46	3.61	
		Female		8599-0709 900							
12 Coaxial contact	Shell sizes 08 to 24	Male		2.40	M39029/28 211	RG 174; RG 179; RG 316				2.40	2.60
		Female			M39029/75 416						
08 Power contact	Shell sizes 08 to 24	Male	3.64	8599-7544	-	8.98	-	8	4.50	6.50	
		Female		8599-7541							
		Boot		8599-4542							
		Reductor *		8599-7645							
08 Coaxial contact	Shell sizes 08 to 24	Male	3.64	M39029/59 366	RG 188A/U				-	2.80	
		Female		M39029/60 367							
		Boot		8590-4571							
08 Triaxial contact	Shell sizes 08 to 24	Male	3.64	M39029/90-529	MIL-C 17/176 00002; FILECA F2703/14 RAYCHEM CHEMINAX 10612; FILOTEX M 17/176 00002				3.15	3.40	
		Female		M39029/91-530							
		Boot		8590-4571							
04 Power contact (see p.34)	Shell sizes 08 to 24	Male	5.75	8599-7520A 900	7	10	According to wire used				
		Female		8599-7521A 900							
		Boot		8599-4590							
		Reductor **		8400-2351A							
		Male		8599-7520A 900	4	16					
		Female		8599-7521A 900							
		Boot		8599-4591							

\* Reductor must be used for wire 8 mm<sup>2</sup>

\*\* Reductor must be used for wire 8 & 10 mm<sup>2</sup>

Note: All dimensions are in millimeters (mm)

# 8STA/8TA Series

## Common Section

### Contacts

#### PCB contacts

Contact size	Shell size & layouts	Contact type	Contact Ø	Part numbers
22D	Shell size 02	Male	0.76	8599 1031-JJ
		Female		8599 1032-900
	Shell size 06	Male	0.76	F1P1P3E-0002AJJ
		Female		F1P1ES3-2202A00
	Shell sizes 08 to 24 shell type 2 only	Male	0.76	F1P1P3E-0001ALY
		Female		F1P1ES3-2201A00
26	Shell size 02	Male	0.50	8599 1004-JL
		Female		8599 1005-900
	Shell sizes 08 to 24 shell type 2 only	Male	1.03	F1P1P3E0020ALY
		Female		F1P1ES32001A00

# 8STA/8TA Series

## Common Section

### Tooling

#### Crimp contacts

8TA Series & 8STA Series size 02, 04 & 06

Contact size	Wire size	Shell size & layout	Contact type	Locator part number		Tool part number	
				Spec.	SOURIAU	Spec.	SOURIAU
22D	22 to 28	02-35 04-35 06-35 08-35 (8TA only)	Male	M22520/2-09	8476-09	M22520/2-01	8476-01
			Female	M22520/2-06	8476-06		
26	24 to 30	06-05	Male	-	8599-0048		
			Female		8599-0049		
		04-05	Male	-	8599-0050		
			Female		8599-0051		
		02-05 04-06 06-09	Male	-	640 088		
			Female		640 089		

#### Crimp contacts

8STA Series size 08 to 24

Contact size	Contact type	Pliers						
		M22520/1-01		M22520/2-01		M300BT	M22520/23-01 (pneumatic plier)	
		Turret Part number		Locator Part number		Locator Part number	Die Part number	Locator Part number
		Spec.	SOURIAU	Spec.	SOURIAU	Spec.	Spec.	Spec.
26 High Density	Male	-	-	-	8599-0397	-	-	-
	Female	-	-	-	8599-0398	-	-	-
22D	Male	-	-	M22520/2-09	8476-09	-	-	-
	Female	-	-	M22520/2-07	8476-07	-	-	-
20	Male	M22520/1-04	8365-04	M22520/2-10	8476-10	-	-	-
	Female							
16	Male							
	Female							
12	Male							
	Female							
8	Male	-	-	-	-	-	M22520/23-02	8599-9601
	Female	-	-	-	-	-	M22520/23-04	M22520/23-11
4	Male	-	-	-	-	-	M22520/23-04	M22520/23-11
	Female	-	-	-	-	-	M22520/23-04	M22520/23-11



M22520/1-01 + M22520/1-04



M22520/2-01  
+ M22520/2-09 & M22520/2-07



M22520/23-01

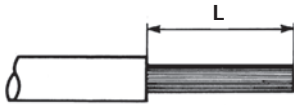


# 8STA/8TA Series

## Common Section

### Tooling

#### Wire stripping



Contact size	26	22D	20	16	12	8	4
L (mm)	4		6			12	

#### Insertion & extraction tools



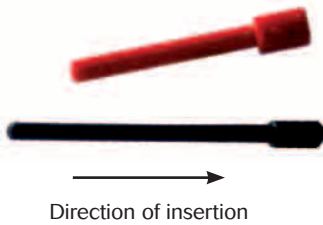
Contact size	Material	Part numbers		Colour	
		Specification	SOURIAU	Insertion	Extraction
26 Shell sizes 02 to 06	Plastic	-	8599-0444 900	Blue	Red
	Plastic	-	8599-0399 900	Black	White
22D	Plastic	M81969/14-01	-	Green	White
20	Plastic	M81969/14-10	-	Red	Orange
16	Plastic	M81969/14-03	-	Blue	White
12	Plastic	M81969/14-04	-	Yellow	
8	Plastic	M81969/14-06	-	-	Red
	Metallic	-	8660-197		-
4	Plastic	M81969/14-07	-	-	Blue
	Metallic	-	8533-8175		-

# 8STA/8TA Series

## Common Section

### Accessories

#### Filler plugs



Contact size	Part numbers		Colour
	Specification	SOURIAU	
22D	MS27488-22	8660-212	Black
20	MS27488-20	8522-389A	Red
16	MS27488-16	8522-390A	Blue
12	MS27488-12	8522-391A	Yellow

Not available for #26.

#### Boots

##### 8STA Series

Shell size	Straight boot		90° boot	
	Raychem	Hellerman	Raychem	Hellerman
02	203W301-25-G02	1037-4-G	223W601-25	1182-4-G
04	204W221-25-G03	1037-4-G	224W221-25-G03	1182-4-G
06	204W221	1030-4-G	224W221	1181-4-G
08	202K121	152-42-G	222K121	1152-4-G
10	202K132	152-42-G	222K132	1152-4-G
12	202K142	154-42-G	222K142	1154-4-G
14	202K142	155-42-G	222K142	1155-4-G
16	202K153	156-42-G	222K153	1156-4-G
18	202K153	156-42-G	222K153	1156-4-G
20	202K163	157-43-G	222K163	1157-4-G
22	202K163	157-43-G	222K163	1157-4-G
24	202K174	157-43-G	222K174	1157-4-G

##### 8TA Series

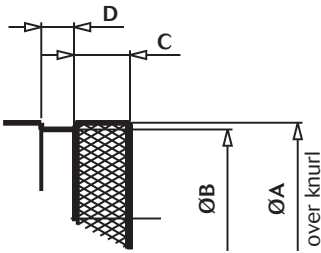
Shell size	Straight boot		90° boot	
	Raychem	Hellerman	Raychem	Hellerman
08	202K121	152-42-G	222K121	1152-4-G

# 8STA/8TA Series

## Common Section

### Accessories

#### Shrinkable termination detail



Shell size	02	04	06	08		10	12	14	16	18	20	22	24
				8TA	8STA								
ØA	7.20	8.65	9.90	8.65	10.62	13.72	17.26	20.41	23.6	26.76	29.93	33.11	36.3
ØB $\pm 0.05$	6.55	8.00	9.25 - 9.40	8.00	9.70	12.65	16.02	19.00	22.23	25.22	28.37	31.86	34.67
C $\pm 0.05$	2.20	2.70	4.20	2.70		6							
D	2.30	2.30	3.50	2.30		3.5							

#### Nut plates



- Nut plates are available for all 8STA (sizes 02 to 24) two holes flanges mounted connector receptacles.
- Their design was specially made for Motorsport market.

Shell size	P/N	T (Thread)
02	8STA-02 M25	M2.5
02	8STA-02 M20	M2
04	8STA-04	M2
04	8STA-04 M25	M2.5
06	8STA-06 M25	M2.5
08	8STA-08	M3
10	8STA-10	
12	8STA-12	
14	8STA-14	
16	8STA-16	
18	8STA-18	
20	8STA-20	
22	8STA-22	
24	8STA-24	

#### Gaskets



- Gaskets are available for all 8STA sizes (02 to 24)
- They are available in two versions:
  - Standard version: Liquid silicone rubber
  - Fuel tank version: Fluorel

Shell size	P/N Standard	P/N Fuel tank
02	8STA-G02	8STA-G02 022
04	8STA-G04	8STA-G04 022
06	8STA-G06	8STA-G06 022
08	8STA-G08	8STA-G08 022
10	8STA-G10	8STA-G10 022
12	8STA-G12	8STA-G12 022
14	8STA-G14	8STA-G14 022
16	8STA-G16	8STA-G16 022
18	8STA-G18	8STA-G18 022
20	8STA-G20	8STA-G20 022
22	8STA-G22	8STA-G22 022
24	8STA-G24	8STA-G24 022

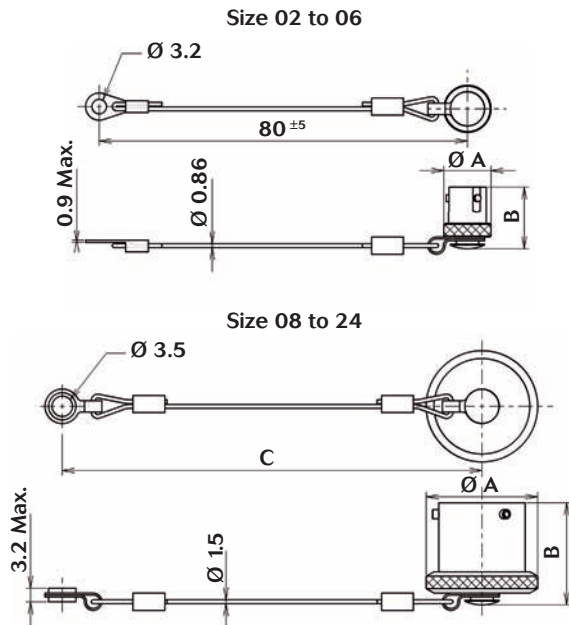
Note: All dimensions are in millimeters (mm)

# 8STA/8TA Series

## Common Section

### Accessories

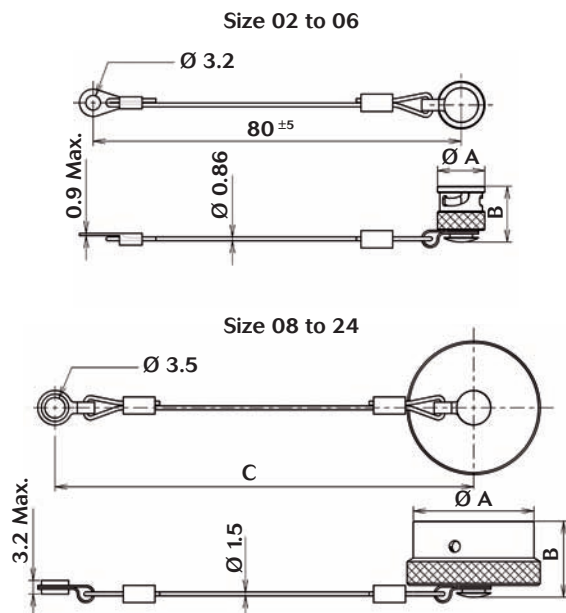
#### Plug metal protective cap & lanyard



Part number	Size	Ø A Max.	B Max.	C ±5
8STA802A	02	10.60	13.20	-
8STA804A	04	12.20	13.80	-
8STA806A	06-05	15.10	14.00	-
8STA808A	08	17.50	27.44	128
8STA810A	10	20.50		128
8STA812A	12	24.50		140
8STA814A	14	27.50		140
8STA816A	16	30.90		140
8STA818A	18	34.00		140
8STA820A	20	37.20		153
8STA822A	22	40.40		153
8STA824A	24	43.50		153

Cord material: Nylon  
Cap plating: Black anodic oxydation

#### Receptacle metal protective cap & lanyard



Part number	Size	Ø A Max.	B Max.	C ±5	
8STA902A	02	10.60	13.20	-	
8STA904A	04	13.50	13.80	-	
8STA906A	06-05	15.10	14.00	-	
8STA9F06A	06-35	15.10	14.00	-	
8STA908A	08	19.05	21.44	128	
8STA910A	10	21.85		128	
8STA912A	12	26.15		140	
8STA914A	14	29.35		140	
8STA916A	16	32.55		140	
8STA918A	18	35.35		140	
8STA920A	20	38.85		153	
8STA922A	22	42.05		153	
8STA924A	24	45.15		22.22	153

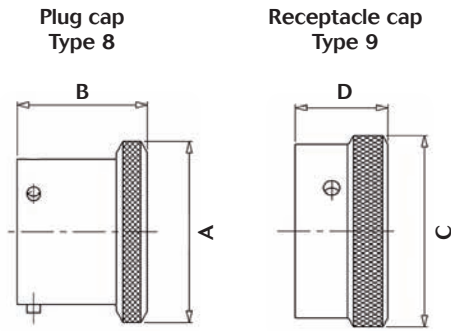
Cord material: Nylon  
Cap plating: Black anodic oxydation

# 8STA/8TA Series

## Common Section

### Accessories

#### Metal protective cap



Cap design may vary according to shell size.

Shell size	Part numbers		Dimensions				
	Plug cap	Receptacle cap	Plug cap		Receptacle cap		
			ØA Max.	B Max.	ØC Max.	D Max.	
02	8STA802	8STA902	10.60	11.20	10.60	9.80	
04	8STA804	8STA904	12.20	10.80	13.50	10.80	
06	8STA8F06	8STA9F06	15.10	11.00	15.10	13.00	
08	8TA	8TA808	8TA908	-	-	-	-
	8STA	8STA808	8STA908	17.50	21.00	19.00	14.20
10	8STA810	8STA910	20.50	21.80			
12	8STA812	8STA912	24.50	26.10			
14	8STA814	8STA914	27.70	29.30			
16	8STA816	8STA916	30.90	32.50		15.00	
18	8STA818	8STA918	34.00	35.30			
20	8STA820	8STA920	37.20	38.80			
22	8STA822	8STA922	40.40	42.00			
24	8STA824	8STA924	43.50	45.10		15.85	

OSTA  
Series



8STA/8TA Series

# Range Extension

■ 209 Series .....	64
■ High power contact .....	64
■ micro38999: 8BA Series .....	65
■ Composite connectors .....	65
■ <i>microComp</i> <sup>®</sup> Series .....	66
■ UTS Series .....	66



# 8STA/8TA Series

## Products Range Extension

### 209 Series

**Terminal Blocks for Power Distribution.**  
Distribution of electrical current for aircraft equipment.

**Versatility:**

- . The terminal blocks allow connection from 1 to 12 terminals.
- . A shunt can link the terminals.

**Easy to install:**

- . Screw mounting.
- . Covers are available to electrically and mechanically protect the connections.

**Flight proven:**

- . Used on major Airbus programs: A300, A320, A321, A319, A330, A340, A318, A380.

**Airbus qualified:**

- . NSA 937903 / 937904 / 937905 / 937906.
- . ASNE 0421 / 0467.



See «209 Series Terminal Blocks» product news on [www.souriau.com](http://www.souriau.com)

### High Power Contact

**38999 High Power (up to 850A). Designed to meet the harshest military requirement where high power and shielding are needed.**

**3 aluminum shell sizes available:**

- . Size 19 (450A max); size 23 (650A max); size 25 (850A max).
- . Different finish: cadmium, zinc nickel, electroless nickel.
- . Threaded coupling.

**Superior contact technology equipped with a silver plated braid:**

- . High contact endurance.
- . Low contact resistance.
- . No microcut under vibration.

**Modular design for easy installation:**

- . Removable backshell: straight, right angle or bus bar.
- . Backshell termination: for thread or shrink boot.
- . Possible to crimp various cable (Ø from 50 to 185mm).

**Safety.**



See «38999 Series III - High Power Contacts» product news on [www.souriau.com](http://www.souriau.com)



# 8STA/8TA Series

## Products Range Extension

### Composite Connectors

**SOURIAU leader on composite circular connectors. Denser and lighter than MIL-C-26500 and 852. Better performances compared to 38999 Series III at similar price.**

**Low weight:**

- . Up to 25% weight saving compared to aluminum.

**High performance:**

- . According to D38999 (QPL approved).
- . 1500 hours salt spray.

**Superior design:**

- . Match the latest lightning strike and 230V requirement.



See «8D Series - MIL-DTL-38999» catalog on [www.souriau.com](http://www.souriau.com)

### micr 38999 8BA Series

**Miniature Product with a Break Away Release. Space saving with scoop proof connector for harsh and EMI applications.**

**A compact and high density solution:**

- . Diameter up to 45% smaller than size 9 (D38999).
- . Up to 50% shorter.
- . Integrated backshell: Cost and space saving.
- . #26 & #22 contacts

**Excellent features:**

- . Designed for D38999 requirements.
- . IP67 sealing when mated.
- . Ballseal (EMI).
- . Stainless steel shell (1500 matings) & aluminum shell (500 matings).

**RoHS and Cadmium free:**

- . Available in zinc nickel (RoHS) plating.
- . Nickel and olive drab cadmium plating available.



See «micro38999, 8BA Break Away» product news on [www.souriau.com](http://www.souriau.com)

# 8STA/8TA Series

## Products Range Extension

### *microComp*<sup>®</sup> Series

To respond to miniaturization and weight saving trends in aeronautical and defense applications SOURIAU has developed an innovative high density connector range.

**Very light & high density:**

- . Shell in composite (or aluminum).
- . Up to 66% lighter than HD D-Sub.
- . Very high density up to 40% smaller than HD D-Sub.

**Excellent features:**

- . With crimp removable contacts for wire AWG 24 to 28
- . Temperature up to 175°C
- . High vibration and shock withstanding
- . Standard MIL-STD 83513 accessories
- . Compatible with high speed data rates (Gigabit Ethernet...)

**Quick connect version for harsh environment:**

- . 104 contacts push-push



### UTS Series

The UTS series is a plastic connector range but rugged enough to withstand industrial applications.

**A wide range:**

- . Based on multiple power & signal connectors and offers everything from box mounted receptacles and cable mounted plugs to cable mounted in-line and PCB mounted receptacles.
- . Almost all ways to accommodate wires exist: crimp, solder, screw termination.

**A philosophy built around three key elements:**

- . Dynamic IP68/69K.
- . UV Resistant.
- . UL/IEC Compliant.





# SOURIAU

[www.motorsport-connectors.com](http://www.motorsport-connectors.com)

[contactmilaero@souriau.com](mailto:contactmilaero@souriau.com)



Компания «Океан Электроники» предлагает заключение долгосрочных отношений при поставках импортных электронных компонентов на взаимовыгодных условиях!

Наши преимущества:

- Поставка оригинальных импортных электронных компонентов напрямую с производств Америки, Европы и Азии, а так же с крупнейших складов мира;
- Широкая линейка поставок активных и пассивных импортных электронных компонентов (более 30 млн. наименований);
- Поставка сложных, дефицитных, либо снятых с производства позиций;
- Оперативные сроки поставки под заказ (от 5 рабочих дней);
- Экспресс доставка в любую точку России;
- Помощь Конструкторского Отдела и консультации квалифицированных инженеров;
- Техническая поддержка проекта, помощь в подборе аналогов, поставка прототипов;
- Поставка электронных компонентов под контролем ВП;
- Система менеджмента качества сертифицирована по Международному стандарту ISO 9001;
- При необходимости вся продукция военного и аэрокосмического назначения проходит испытания и сертификацию в лаборатории (по согласованию с заказчиком);
- Поставка специализированных компонентов военного и аэрокосмического уровня качества (Xilinx, Altera, Analog Devices, Intersil, Interpoint, Microsemi, Actel, Aeroflex, Peregrine, VPT, Syfer, Eurofarad, Texas Instruments, MS Kennedy, Miteq, Cobham, E2V, MA-COM, Hittite, Mini-Circuits, General Dynamics и др.);

Компания «Океан Электроники» является официальным дистрибьютором и эксклюзивным представителем в России одного из крупнейших производителей разъемов военного и аэрокосмического назначения «**JONHON**», а так же официальным дистрибьютором и эксклюзивным представителем в России производителя высокотехнологичных и надежных решений для передачи СВЧ сигналов «**FORSTAR**».



## JONHON

«**JONHON**» (основан в 1970 г.)

Разъемы специального, военного и аэрокосмического назначения:

(Применяются в военной, авиационной, аэрокосмической, морской, железнодорожной, горно- и нефтедобывающей отраслях промышленности)

«**FORSTAR**» (основан в 1998 г.)

ВЧ соединители, коаксиальные кабели, кабельные сборки и микроволновые компоненты:

(Применяются в телекоммуникациях гражданского и специального назначения, в средствах связи, РЛС, а так же военной, авиационной и аэрокосмической отраслях промышленности).



Телефон: 8 (812) 309-75-97 (многоканальный)

Факс: 8 (812) 320-03-32

Электронная почта: [ocean@oceanchips.ru](mailto:ocean@oceanchips.ru)

Web: <http://oceanchips.ru/>

Адрес: 198099, г. Санкт-Петербург, ул. Калинина, д. 2, корп. 4, лит. А