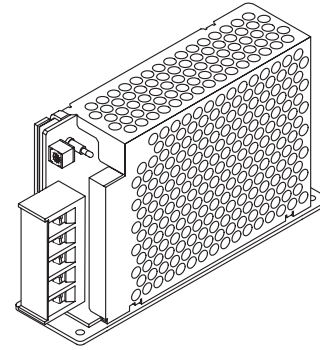


■ PB · PMA Series Attachment

BASE Attachment

Plate model	Applicable to model
F-PBA10-1	PBA10F
F-PBA15-1	PBA15F, PBW15F
F-PBA30-1	PBA30F, PBW30F, PMA15F
F-PBA50-1	PBA50F, PBW50F, PMA30F
F-PBA75-1	PBA75F, PMA60F
F-PBA100-1	PBA100F
F-PBA150-1	PBA150F, PMA100F

Example



< TOP VIEW > (Unit : mm) (Tolerance : ±1)

F-PBA10-1	F-PBA15-1
<p>Size</p> <p>★ Material : SECC ★ Thickness : 2.0</p>	<p>Size</p> <p>★ Material : SECC ★ Thickness : 2.0</p>
★ M3 × 6ℓ Flat screw is requested when mounting.	
<p>Mounting hole size</p> <p>FRONT ←</p>	<p>Mounting hole size</p> <p>FRONT ←</p>
F-PBA30-1	F-PBA50-1
<p>Size</p> <p>★ Material : SECC ★ Thickness : 2.0</p>	<p>Size</p> <p>★ Material : SECC ★ Thickness : 2.0</p>
★ M3 × 6ℓ Flat screw is requested when mounting.	
<p>Mounting hole size</p> <p>FRONT ←</p>	<p>Mounting hole size</p> <p>FRONT ←</p>

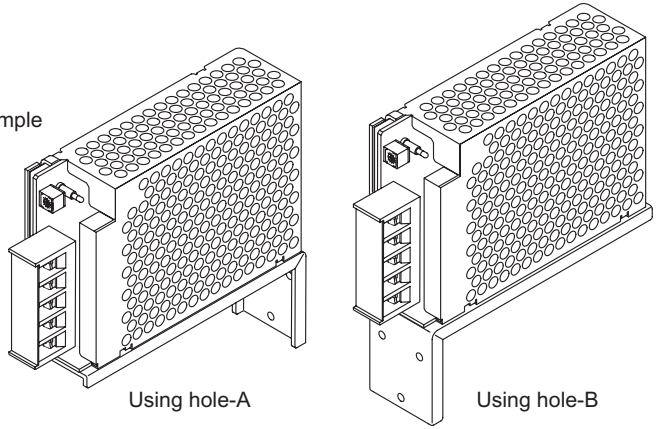
< TOP VIEW > (Unit : mm) (Tolerance : ±1)

<p style="text-align: center;">F-PBA75-1</p> <p>Size</p> <p style="text-align: right;">★ Material : SECC ★ Thickness : 2.0</p>	<p style="text-align: center;">F-PBA100-1</p> <p>Size</p> <p style="text-align: right;">★ Material : SECC ★ Thickness : 2.0</p>
<p>★ M3 × 6ℓ Flat screw is requested when mounting.</p>	
<p>Mounting hole size</p> <p>FRONT ←</p>	<p>Mounting hole size</p> <p>FRONT ←</p>
<p style="text-align: center;">F-PBA150-1</p> <p>Size</p> <p style="text-align: right;">★ Material : SECC ★ Thickness : 2.0</p>	
<p>★ M3 × 6ℓ Flat screw is requested when mounting.</p>	
<p>Mounting hole size</p> <p>FRONT ←</p>	

FRONT · REVERSE
Attachment

Plate model	Applicable to model
F-PBA10-2	PBA10F
F-PBA15-2	PBA15F, PBW15F
F-PBA30-2	PBA30F, PBW30F, PMA15F
F-PBA50-2	PBA50F, PBW50F, PMA30F
F-PBA75-2	PBA75F, PMA60F
F-PBA100-2	PBA100F
F-PBA150-2	PBA150F, PMA100F

Example



Using hole-A

Using hole-B

< TOP VIEW > (Unit : mm) (Tolerance : ±1)

<p style="text-align: center;">F-PBA10-2</p> <p>Size</p> <p style="text-align: right;"> ★ Material : SECC ★ Thickness : 1.6 </p>	<p style="text-align: center;">F-PBA15-2</p> <p>Size</p> <p style="text-align: right;"> ★ Material : SECC ★ Thickness : 1.6 </p>
<p style="text-align: center;">F-PBA30-2</p> <p>Size</p> <p style="text-align: right;"> ★ Material : SECC ★ Thickness : 1.6 </p>	<p style="text-align: center;">F-PBA50-2</p> <p>Size</p> <p style="text-align: right;"> ★ Material : SECC ★ Thickness : 2.0 </p>

< TOP VIEW > (Unit : mm) (Tolerance : ±1)

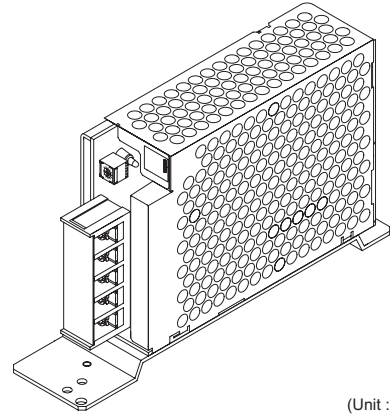
<p style="text-align: center;">F-PBA75-2</p> <p>Size</p> <p style="text-align: right;"> ★ Material : SECC ★ Thickness : 2.0 </p>	<p style="text-align: center;">F-PBA100-2</p> <p>Size</p> <p style="text-align: right;"> ★ Material : SECC ★ Thickness : 2.0 </p>
<p style="text-align: center;">F-PBA150-2</p> <p>Size</p> <p style="text-align: right;"> ★ Material : SECC ★ Thickness : 2.0 </p>	

Attachment for Replacement

This is an attachment when replacing to PBA series from P · PAA series.

Plate model	Applicable to model
F-PPBA15-1	P15 → PBA15F
F-PPBA30-1	P30 → PBA30F
F-PPBA50-1	P50, PAA50F → PBA50F
F-PPBA75-1	PAA75F → PBA75F
F-PPBA100-1	P100, PAA100F → PBA100F
F-PPBA150-1	P150, PAA150F → PBA150F

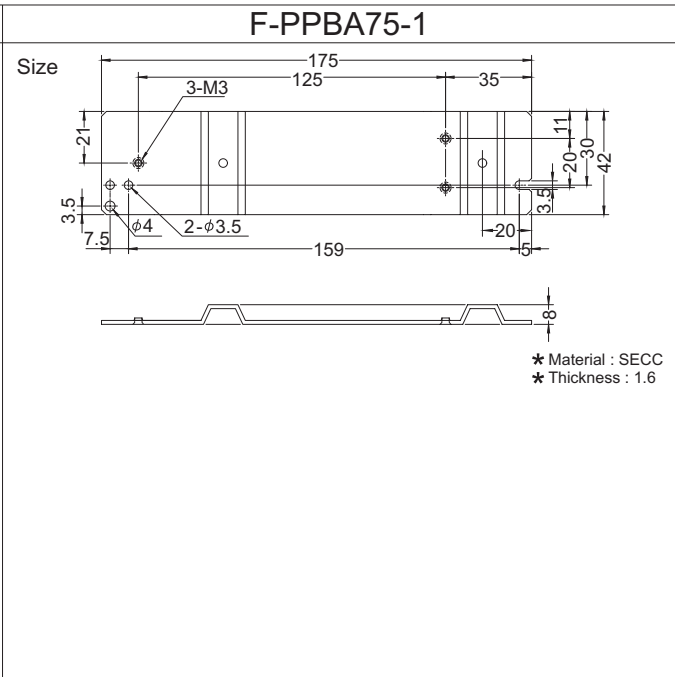
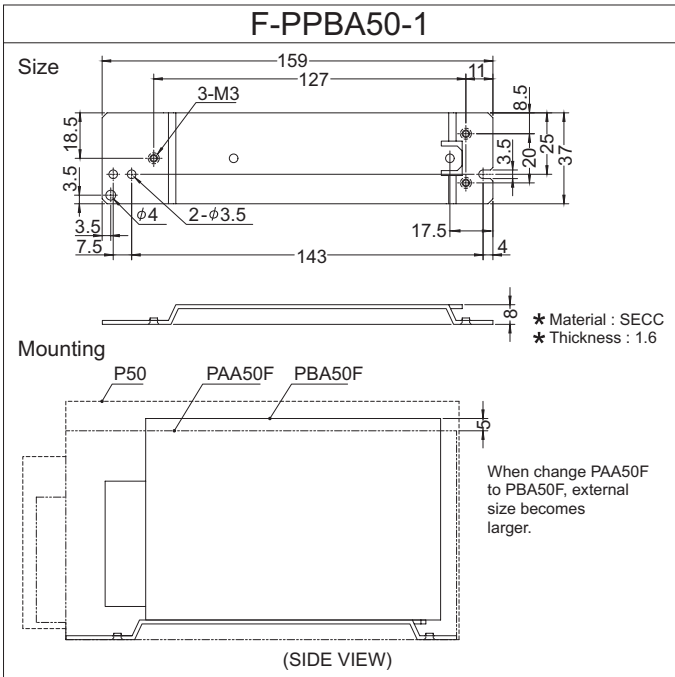
Example
(PBA50F)



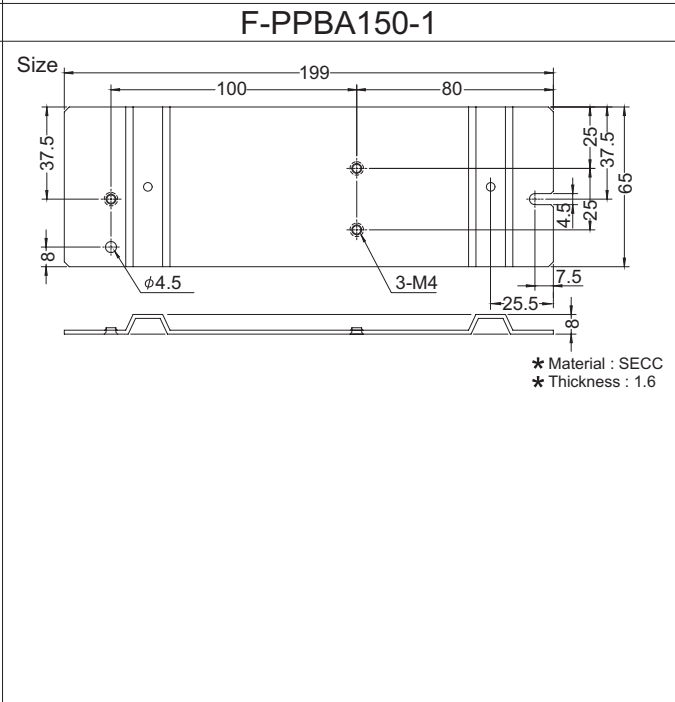
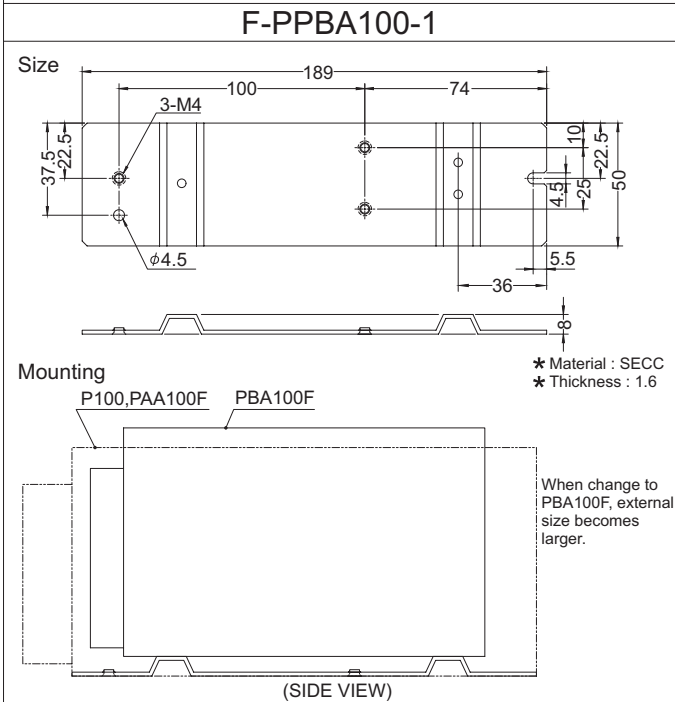
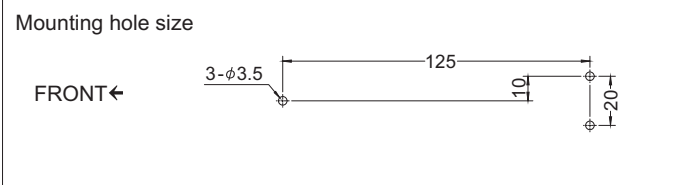
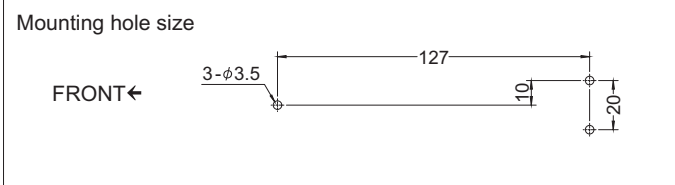
(Unit : mm) (Tolerance : ±1)

F-PPBA15-1	F-PPBA30-1
<p>Size</p> <p>Mounting</p> <p style="text-align: center;">(BOTTOM VIEW)</p> <p style="text-align: right;">* Material : SECC * Thickness : 1.6</p>	<p>Size</p> <p>Mounting</p> <p style="text-align: center;">(BOTTOM VIEW)</p> <p style="text-align: right;">* Material : SECC * Thickness : 1.6</p>
<p>* M3 × 8ℓ Flat screw is requested when mounting.</p>	
<p>Mounting hole size</p> <p>FRONT ←</p>	<p>Mounting hole size</p> <p>FRONT ←</p>

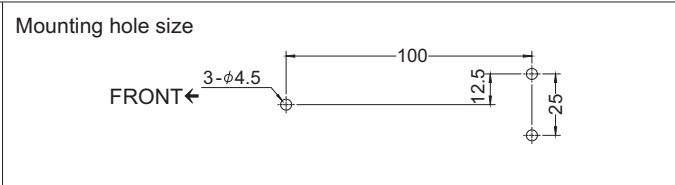
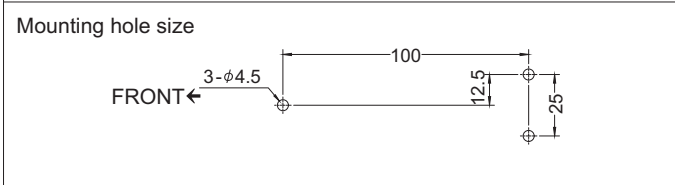
(Unit : mm) (Tolerance : ±1)



★ M3 × 8ℓ Flat screw is requested when mounting.



★ M3 × 8ℓ Flat screw is requested when mounting.



Din rail Attachment Plate(PB Series)

APPLICABLE TO MODEL

Din rail width : 35mm

Plate model	Model	screws for installation	
		Type	Qty
FD-PBA10	PBA10F	M3	2pcs
FD-PBA15	PBA15F, PBW15F		
FD-PBA30	PBA30F, PBW30F		
FD-PBA50	PBA50F, PBW50F, PBA75F		
FD-PBA100	PBA100F	M3	3pcs
	PBA150F	M3	2pcs
FD-PBA300	PBA300F	M4	2pcs

FD-PBA10, FD-PBA15, FD-PBA30 EXTERNAL VIEW

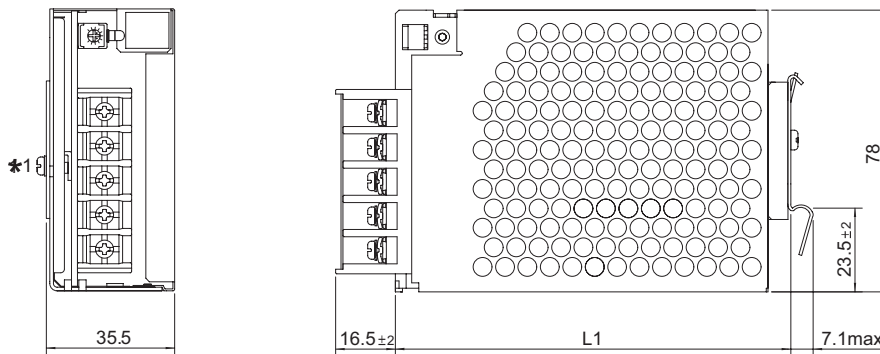


Plate model	Model	L1
FD-PBA10	PBA10F	75.0±2
FD-PBA15	PBA15F, PBW15F	92.0±2
FD-PBA30	PBA30F, PBW30F	110.0±2

- * Material : SECC
- * Thickness : 1.0
- * Tolerance : ±1
- *1 Screws for installation (attached to Plate)

FD-PBA50, FD-PBA100 EXTERNAL VIEW

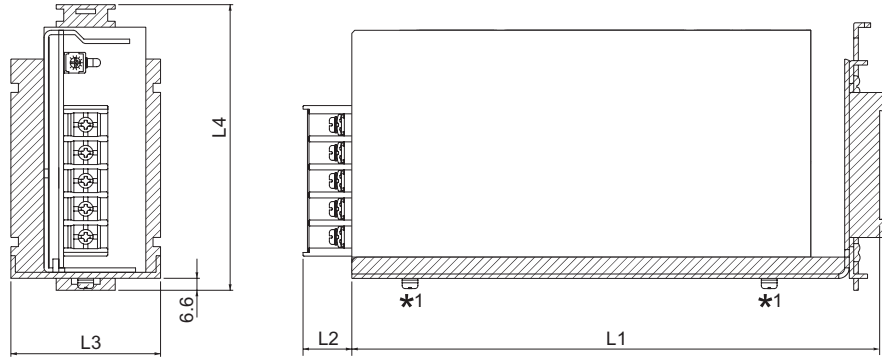


Plate model	Model	L1	L2	L3	L4
FD-PBA50	PBA50F	135	16.5±2	41	102.5
	PBA75F	150			
FD-PBA100	PBA100F	162	13.5±2	42.5	112
	PBA150F	183			

* Material : SECC
 * Thickness : 1.6
 * Tolerance : ±1
 *1 Screws for installation (attached to Plate)

FD-PBA300 EXTERNAL VIEW

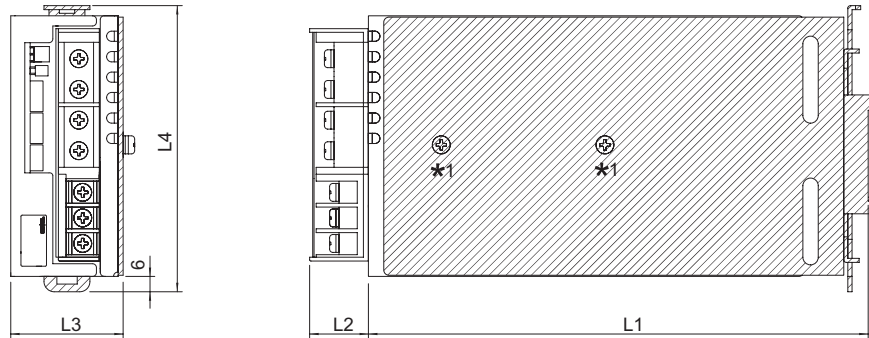


Plate model	Model	L1	L2	L3	L4
FD-PBA300	PBA300F	195.5	25max	44	112

* Material : SPHC
 * Thickness : 2.0
 * Tolerance : ±1
 *1 Screws for installation (attached to Plate)

Harness to use the function is prepared in PB series.

PB Series

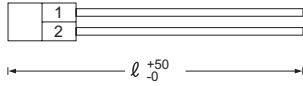
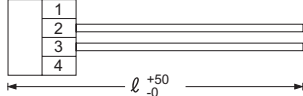
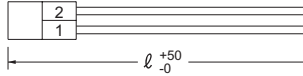
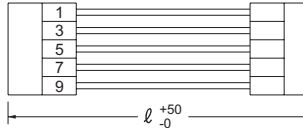
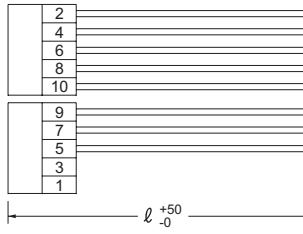
Mating harness

Model	Harness model #	Contents
PBA10F, PBA15F, PBW15F, PBA30F, PBW30F, PBA50F, PBW50F, PBA75F, PBA100F, PBA150F ★1	H-IN-1 or H-IN-8	Input harness when I/O interface is connector type (option : -J)
PBA10F, PBA15F, PBA30F, PBA50F	H-OU-20	Output harness when I/O interface is connector type (option : -J)
PBA75F, PBA100F, PBA150F ★1	H-OU-21	Output harness when I/O interface is connector type (option : -J)
PBW15F, PBW30F, PBW50F	H-OU-27	Output harness when I/O interface is connector type (option : -J)
PBA50F, PBW50F, PBA75F, PBA100F, PBA150F	H-RC-1	Harness for using option : -R
PBA100F, PBA150F ★2	H-SN-1	Harness for using option : -K
PBA10F, PBA15F, PBW15F, PBA30F, PBW30F PBA50F, PBW50F, PBA75F, PBA100F, PBA150F	H-SN-18	Harness for using option : -V
PBA300F	H-PA-3	Harness for parallel operation
PBA600F	H-SN-20	Harness for using all functions of CN1 and CN2
PBA1000F	H-SN-21	Harness for using all functions except remote sensing of CN2
PBA1500F	H-SN-22	Harness for using all functions of CN3
PBA1500T	H-SN-24	Harness for using example remote ON/OFF circuit (C)

★1 Available for 12V, 15V, 24V, 36V and 48V output model in PBA100F / 150F.

★2 Available for 3.3V and 5V output model in PBA100F / 150F.

<p>●Model number</p> <h3>H-IN-1</h3> <p>Housing : 10-63-3044 (Molex) Pin : 08-70-1030 or 08-70-1031 (Molex)</p>	<p>●Type</p>	<p>●Wire</p> <table border="1"> <thead> <tr> <th>Pin #</th> <th>Wire</th> <th>AWG</th> <th>Color</th> <th>Length ℓ (mm)</th> </tr> </thead> <tbody> <tr> <td>1</td> <td>UL1015</td> <td>20</td> <td>green</td> <td>500</td> </tr> <tr> <td>2</td> <td>UL1015</td> <td>20</td> <td>black</td> <td>500</td> </tr> <tr> <td>3</td> <td></td> <td></td> <td></td> <td></td> </tr> <tr> <td>4</td> <td>UL1015</td> <td>20</td> <td>white</td> <td>500</td> </tr> </tbody> </table>	Pin #	Wire	AWG	Color	Length ℓ (mm)	1	UL1015	20	green	500	2	UL1015	20	black	500	3					4	UL1015	20	white	500										
Pin #	Wire	AWG	Color	Length ℓ (mm)																																	
1	UL1015	20	green	500																																	
2	UL1015	20	black	500																																	
3																																					
4	UL1015	20	white	500																																	
<p>●Model number</p> <h3>H-IN-8</h3> <p>Housing : 10-63-3044 (Molex) Pin : 08-70-1030 or 08-70-1031 (Molex)</p>	<p>●Type</p>	<p>●Wire</p> <table border="1"> <thead> <tr> <th>Pin #</th> <th>Wire</th> <th>AWG</th> <th>Color</th> <th>Length ℓ (mm)</th> </tr> </thead> <tbody> <tr> <td>1</td> <td>UL1015</td> <td>20</td> <td>green/yellow</td> <td>500</td> </tr> <tr> <td>2</td> <td>UL1015</td> <td>20</td> <td>black</td> <td>500</td> </tr> <tr> <td>3</td> <td></td> <td></td> <td></td> <td></td> </tr> <tr> <td>4</td> <td>UL1015</td> <td>20</td> <td>white</td> <td>500</td> </tr> </tbody> </table>	Pin #	Wire	AWG	Color	Length ℓ (mm)	1	UL1015	20	green/yellow	500	2	UL1015	20	black	500	3					4	UL1015	20	white	500										
Pin #	Wire	AWG	Color	Length ℓ (mm)																																	
1	UL1015	20	green/yellow	500																																	
2	UL1015	20	black	500																																	
3																																					
4	UL1015	20	white	500																																	
<p>●Model number</p> <h3>H-OU-20</h3> <p>Housing : 09-50-1043 (Molex) Pin : 08-70-1030 or 08-70-1031 (Molex)</p>	<p>●Type</p>	<p>●Wire</p> <table border="1"> <thead> <tr> <th>Pin #</th> <th>Wire</th> <th>AWG</th> <th>Color</th> <th>Length ℓ (mm)</th> </tr> </thead> <tbody> <tr> <td>1</td> <td>UL1015</td> <td>18</td> <td>red</td> <td>500</td> </tr> <tr> <td>2</td> <td>UL1015</td> <td>18</td> <td>red</td> <td>500</td> </tr> <tr> <td>3</td> <td>UL1015</td> <td>18</td> <td>black</td> <td>500</td> </tr> <tr> <td>4</td> <td>UL1015</td> <td>18</td> <td>black</td> <td>500</td> </tr> </tbody> </table>	Pin #	Wire	AWG	Color	Length ℓ (mm)	1	UL1015	18	red	500	2	UL1015	18	red	500	3	UL1015	18	black	500	4	UL1015	18	black	500										
Pin #	Wire	AWG	Color	Length ℓ (mm)																																	
1	UL1015	18	red	500																																	
2	UL1015	18	red	500																																	
3	UL1015	18	black	500																																	
4	UL1015	18	black	500																																	
<p>●Model number</p> <h3>H-OU-21</h3> <p>Housing : 09-50-1063 (Molex) Pin : 08-70-1030 or 08-70-1031 (Molex)</p>	<p>●Type</p>	<p>●Wire</p> <table border="1"> <thead> <tr> <th>Pin #</th> <th>Wire</th> <th>AWG</th> <th>Color</th> <th>Length ℓ (mm)</th> </tr> </thead> <tbody> <tr> <td>1</td> <td>UL1015</td> <td>18</td> <td>red</td> <td>500</td> </tr> <tr> <td>2</td> <td>UL1015</td> <td>18</td> <td>red</td> <td>500</td> </tr> <tr> <td>3</td> <td>UL1015</td> <td>18</td> <td>red</td> <td>500</td> </tr> <tr> <td>4</td> <td>UL1015</td> <td>18</td> <td>black</td> <td>500</td> </tr> <tr> <td>5</td> <td>UL1015</td> <td>18</td> <td>black</td> <td>500</td> </tr> <tr> <td>6</td> <td>UL1015</td> <td>18</td> <td>black</td> <td>500</td> </tr> </tbody> </table>	Pin #	Wire	AWG	Color	Length ℓ (mm)	1	UL1015	18	red	500	2	UL1015	18	red	500	3	UL1015	18	red	500	4	UL1015	18	black	500	5	UL1015	18	black	500	6	UL1015	18	black	500
Pin #	Wire	AWG	Color	Length ℓ (mm)																																	
1	UL1015	18	red	500																																	
2	UL1015	18	red	500																																	
3	UL1015	18	red	500																																	
4	UL1015	18	black	500																																	
5	UL1015	18	black	500																																	
6	UL1015	18	black	500																																	
<p>●Model number</p> <h3>H-OU-27</h3> <p>Housing : 09-50-1043 (Molex) Pin : 08-70-1030 or 08-70-1031 (Molex)</p>	<p>●Type</p>	<p>●Wire</p> <table border="1"> <thead> <tr> <th>Pin #</th> <th>Wire</th> <th>AWG</th> <th>Color</th> <th>Length ℓ (mm)</th> </tr> </thead> <tbody> <tr> <td>1</td> <td>UL1015</td> <td>18</td> <td>red</td> <td>500</td> </tr> <tr> <td>2</td> <td>UL1015</td> <td>18</td> <td>black</td> <td>500</td> </tr> <tr> <td>3</td> <td>UL1015</td> <td>18</td> <td>black</td> <td>500</td> </tr> <tr> <td>4</td> <td>UL1015</td> <td>18</td> <td>purple</td> <td>500</td> </tr> </tbody> </table>	Pin #	Wire	AWG	Color	Length ℓ (mm)	1	UL1015	18	red	500	2	UL1015	18	black	500	3	UL1015	18	black	500	4	UL1015	18	purple	500										
Pin #	Wire	AWG	Color	Length ℓ (mm)																																	
1	UL1015	18	red	500																																	
2	UL1015	18	black	500																																	
3	UL1015	18	black	500																																	
4	UL1015	18	purple	500																																	

<p>●Model number H-RC-1</p> <p>Housing : XHP-2 (J.S.T.) Pin : SXH-001T-P0.6 (J.S.T.)</p>	<p>●Type</p> 	<p>●Wire</p> <table border="1"> <thead> <tr> <th>Pin #</th> <th>Wire</th> <th>AWG</th> <th>Color</th> <th>Length ℓ (mm)</th> </tr> </thead> <tbody> <tr> <td>1</td> <td>UL1007</td> <td>22</td> <td>orange</td> <td>500</td> </tr> <tr> <td>2</td> <td>UL1007</td> <td>22</td> <td>blue</td> <td>500</td> </tr> </tbody> </table>	Pin #	Wire	AWG	Color	Length ℓ (mm)	1	UL1007	22	orange	500	2	UL1007	22	blue	500																																								
Pin #	Wire	AWG	Color	Length ℓ (mm)																																																					
1	UL1007	22	orange	500																																																					
2	UL1007	22	blue	500																																																					
<p>●Model number H-SN-1</p> <p>Housing : XHP-4 (J.S.T.) Pin : SXH-001T-P0.6 (J.S.T.)</p>	<p>●Type</p> 	<p>●Wire</p> <table border="1"> <thead> <tr> <th>Pin #</th> <th>Wire</th> <th>AWG</th> <th>Color</th> <th>Length ℓ (mm)</th> </tr> </thead> <tbody> <tr> <td>1</td> <td></td> <td></td> <td></td> <td></td> </tr> <tr> <td>2</td> <td>UL1061</td> <td>28</td> <td>black</td> <td>500</td> </tr> <tr> <td>3</td> <td>UL1061</td> <td>28</td> <td>red</td> <td>500</td> </tr> <tr> <td>4</td> <td></td> <td></td> <td></td> <td></td> </tr> </tbody> </table>	Pin #	Wire	AWG	Color	Length ℓ (mm)	1					2	UL1061	28	black	500	3	UL1061	28	red	500	4																																		
Pin #	Wire	AWG	Color	Length ℓ (mm)																																																					
1																																																									
2	UL1061	28	black	500																																																					
3	UL1061	28	red	500																																																					
4																																																									
<p>●Model number H-SN-18</p> <p>Housing : PHR-2 (J.S.T.) Pin : SPH-002T-P0.5S (J.S.T.)</p>	<p>●Type</p> 	<p>●Wire</p> <table border="1"> <thead> <tr> <th>Pin #</th> <th>Wire</th> <th>AWG</th> <th>Color</th> <th>Length ℓ (mm)</th> </tr> </thead> <tbody> <tr> <td>1</td> <td>UL1007</td> <td>26</td> <td>yellow</td> <td>500</td> </tr> <tr> <td>2</td> <td>UL1007</td> <td>26</td> <td>orange</td> <td>500</td> </tr> </tbody> </table>	Pin #	Wire	AWG	Color	Length ℓ (mm)	1	UL1007	26	yellow	500	2	UL1007	26	orange	500																																								
Pin #	Wire	AWG	Color	Length ℓ (mm)																																																					
1	UL1007	26	yellow	500																																																					
2	UL1007	26	orange	500																																																					
<p>●Model number H-PA-3</p> <p>Housing : PHDR-10VS(J.S.T.) Pin : SPHD-002T-P0.5(J.S.T)</p>	<p>●Type</p> 	<p>●Wire</p> <table border="1"> <thead> <tr> <th>Pin #</th> <th>Wire</th> <th>AWG</th> <th>Color</th> <th>Length ℓ (mm)</th> </tr> </thead> <tbody> <tr> <td>1</td> <td>-</td> <td>-</td> <td>-</td> <td>-</td> </tr> <tr> <td>2</td> <td>UL1061</td> <td>28</td> <td>red</td> <td>270</td> </tr> <tr> <td>3</td> <td>-</td> <td>-</td> <td>-</td> <td>-</td> </tr> <tr> <td>4</td> <td>UL1061</td> <td>28</td> <td>black</td> <td>270</td> </tr> <tr> <td>5</td> <td>UL1061</td> <td>28</td> <td>yellow</td> <td>270</td> </tr> <tr> <td>6</td> <td>UL1061</td> <td>28</td> <td>green</td> <td>270</td> </tr> <tr> <td>7</td> <td>UL1061</td> <td>28</td> <td>blue</td> <td>270</td> </tr> <tr> <td>8</td> <td>-</td> <td>-</td> <td>-</td> <td>-</td> </tr> <tr> <td>9</td> <td>UL1061</td> <td>28</td> <td>orange</td> <td>270</td> </tr> <tr> <td>10</td> <td>UL1061</td> <td>28</td> <td>purple</td> <td>270</td> </tr> </tbody> </table>	Pin #	Wire	AWG	Color	Length ℓ (mm)	1	-	-	-	-	2	UL1061	28	red	270	3	-	-	-	-	4	UL1061	28	black	270	5	UL1061	28	yellow	270	6	UL1061	28	green	270	7	UL1061	28	blue	270	8	-	-	-	-	9	UL1061	28	orange	270	10	UL1061	28	purple	270
Pin #	Wire	AWG	Color	Length ℓ (mm)																																																					
1	-	-	-	-																																																					
2	UL1061	28	red	270																																																					
3	-	-	-	-																																																					
4	UL1061	28	black	270																																																					
5	UL1061	28	yellow	270																																																					
6	UL1061	28	green	270																																																					
7	UL1061	28	blue	270																																																					
8	-	-	-	-																																																					
9	UL1061	28	orange	270																																																					
10	UL1061	28	purple	270																																																					
<p>●Model number H-SN-20</p> <p>Housing : PHDR-10VS(J.S.T.) Pin : SPHD-002T-P0.5(J.S.T)</p>	<p>●Type</p> 	<p>●Wire</p> <table border="1"> <thead> <tr> <th>Pin #</th> <th>Wire</th> <th>AWG</th> <th>Color</th> <th>Length ℓ (mm)</th> </tr> </thead> <tbody> <tr> <td>1</td> <td>-</td> <td>-</td> <td>-</td> <td>-</td> </tr> <tr> <td>2</td> <td>UL1061</td> <td>28</td> <td>red</td> <td>500</td> </tr> <tr> <td>3</td> <td>-</td> <td>-</td> <td>-</td> <td>-</td> </tr> <tr> <td>4</td> <td>UL1061</td> <td>28</td> <td>black</td> <td>500</td> </tr> <tr> <td>5</td> <td>UL1061</td> <td>28</td> <td>yellow</td> <td>500</td> </tr> <tr> <td>6</td> <td>UL1061</td> <td>28</td> <td>green</td> <td>500</td> </tr> <tr> <td>7</td> <td>UL1061</td> <td>28</td> <td>blue</td> <td>500</td> </tr> <tr> <td>8</td> <td>UL1061</td> <td>28</td> <td>black</td> <td>500</td> </tr> <tr> <td>9</td> <td>UL1061</td> <td>28</td> <td>orange</td> <td>500</td> </tr> <tr> <td>10</td> <td>UL1061</td> <td>28</td> <td>purple</td> <td>500</td> </tr> </tbody> </table>	Pin #	Wire	AWG	Color	Length ℓ (mm)	1	-	-	-	-	2	UL1061	28	red	500	3	-	-	-	-	4	UL1061	28	black	500	5	UL1061	28	yellow	500	6	UL1061	28	green	500	7	UL1061	28	blue	500	8	UL1061	28	black	500	9	UL1061	28	orange	500	10	UL1061	28	purple	500
Pin #	Wire	AWG	Color	Length ℓ (mm)																																																					
1	-	-	-	-																																																					
2	UL1061	28	red	500																																																					
3	-	-	-	-																																																					
4	UL1061	28	black	500																																																					
5	UL1061	28	yellow	500																																																					
6	UL1061	28	green	500																																																					
7	UL1061	28	blue	500																																																					
8	UL1061	28	black	500																																																					
9	UL1061	28	orange	500																																																					
10	UL1061	28	purple	500																																																					

●Model number
H-SN-21

Housing : PHDR-10VS(J.S.T)
Pin : SPHD-002T-P0.5(J.S.T)

●Type

●Wire

Pin #	Wire	AWG	Color	Length l (mm)
1	-	-	-	-
2	-	-	-	-
3	-	-	-	-
4	-	-	-	-
5	UL1061	28	yellow	500
6	UL1061	28	green	500
7	UL1061	28	blue	500
8	UL1061	28	black	500
9	UL1061	28	orange	500
10	UL1061	28	purple	500

●Model number
H-SN-22

Housing : PHDR-8VS(J.S.T)
Pin : SPHD-002T-P0.5(J.S.T)

●Type

●Wire

Pin #	Wire	AWG	Color	Length l (mm)
1	-	-	-	-
2	-	-	-	-
3	UL1061	28	pink	500
4	UL1061	28	brown	500
5	UL1061	28	white	500
6	-	-	-	-
7	UL1061	28	yellow	500
8	UL1061	28	gray	500

●Model number
H-SN-24

CN A :
Housing : PHDR-10VS(J.S.T)
Pin : SPHD-002T-P0.5(J.S.T)

CN B :
Housing : PHDR-08VS(J.S.T)
Pin : SPHD-002T-P0.5(J.S.T)

●Type

●Wire

Pin #	Wire	AWG	Color	Length l (mm)	
CN A	1	UL1061	28	red	30
	2	UL1061	28	red	30
	3	UL1061	28	black	30
	4	UL1061	28	black	30
	5	-	-	-	-
	6	-	-	-	-
	7	-	-	-	-
	8	-	-	-	-
	9	UL1061	28	black	70
	10	UL1061	28	black	70
CN B	1	-	-	-	
	2	-	-	-	
	3	-	-	-	
	4	UL1061	28	black	70
	5	UL1061	28	black	70
	6	-	-	-	-
	7	-	-	-	-
	8	-	-	-	-

★ Pin #1 and #2, Pin #3 and #4 in CN A are connected by harness.
★ Pin #9 in CN A and Pin #4 in CN B are connected by harness.
★ Pin #10 in CN A and Pin #5 in CN B are connected by harness.

Terminal Attachment

Terminal attachment to facilitate two or more terminal connections to power supply output is prepared in PAA, MAX and ACE series.

Type	Mating Model	Contents
B-PAA600-1	PAA300 PAA600	Terminal attachment to facilitate two or more terminal connections to power supply output
B-MX-1	PBA600F MAX1600F MAX1600T MAX3200T	Terminal attachment to facilitate terminal connections to power supply output
B-MX-9	MAX1600F MAX1600T MAX3200T	Terminal attachment for series operation as output modules

B-PAA600-1	B-MX-1
<p>Size</p> <p style="text-align: right;"> * Material : Copper * Thickness : 2.0 * Dimension in mm </p>	<p>Size</p> <p style="text-align: right;"> * Material : Copper * Thickness : 2.0 * Dimension in mm </p>

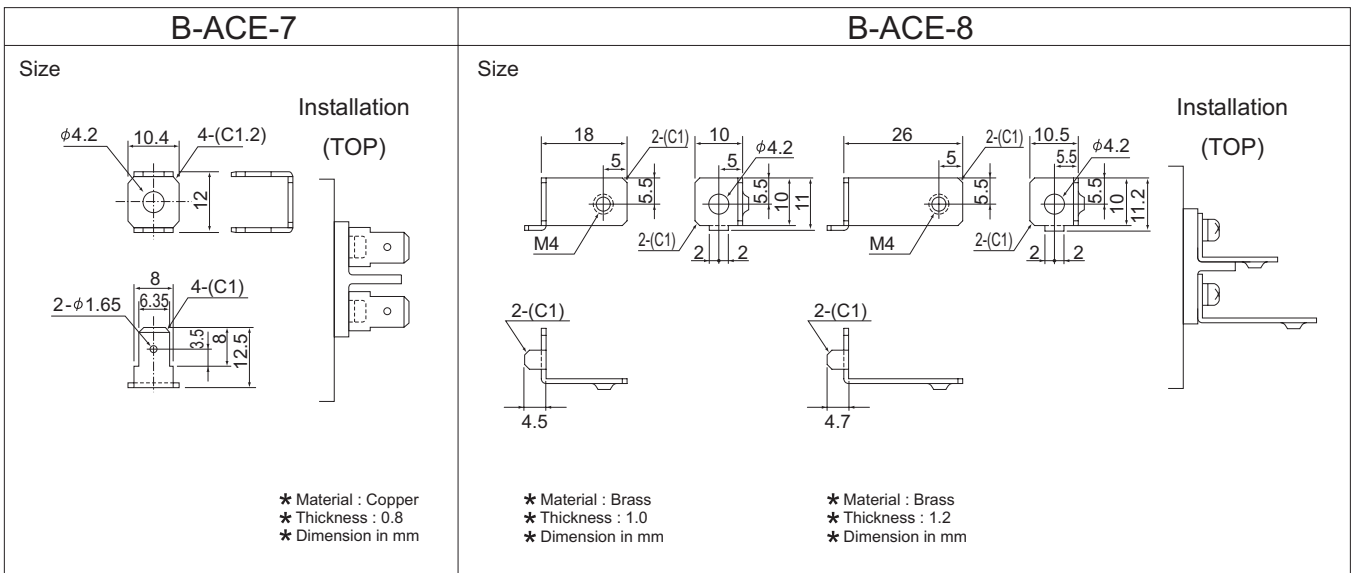
* It is necessary to install the attachments on opposite direction to avoid short-circuit between + and - in terminal block.

B-MX-9	
<p>Size</p> <p style="text-align: right;"> * Material : Copper * Thickness : 1.5 * Dimension in mm </p>	

Option * It is necessary to install B-MX-1 on opposite direction to avoid short-circuit between + and - terminal block.
 * Please note the direction of the installation to prevent the short-circuit between the outputs when using B-MX-1 and B-MX-9 at the same time.
 * The cover of terminal block does not be attached to B-MX-1 with installation screw and solderless terminal occasionally.

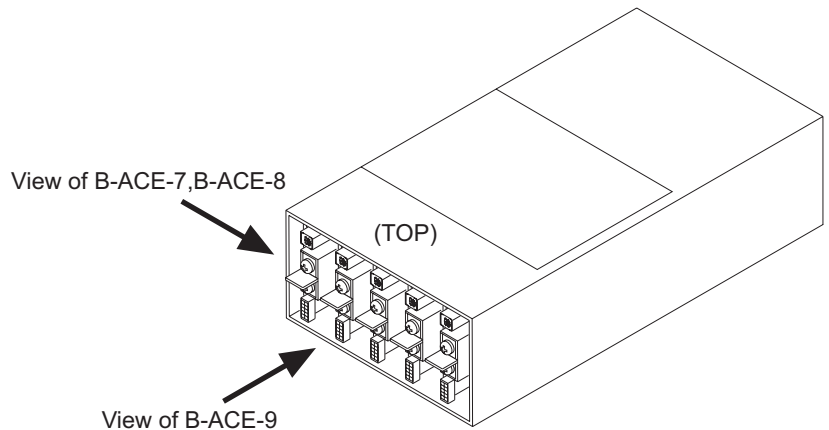
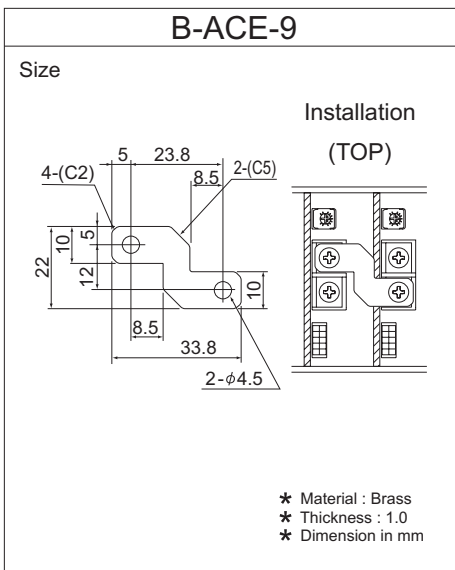
Type	Mating Model	Contents
B-ACE-7	ACE series	Terminal attachment to facilitate faston terminal output modules
B-ACE-8	ACE series	Terminal attachment to facilitate wiring
B-ACE-9	ACE series	Terminal attachment for series operation as output modules

★These attachments cannot be used for module code S, T, U, Y, W, Z, 9, Q, and V.



★ B-ACE-7: Recommended faston terminal #250. Quantity is 1 piece.

★ B-ACE-8: Please be careful with that B-ACE-8 is not stressed in wiring. Quantity is a couple.



Fan unit

PB Series

★Fan unit is prepared by the option.

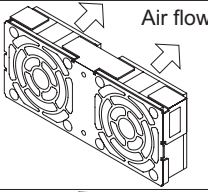
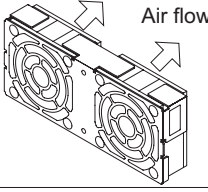
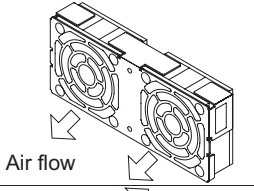
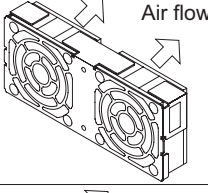
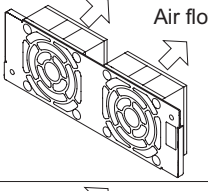
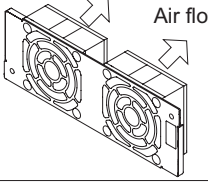
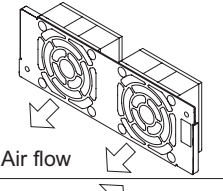
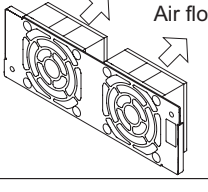
Fan unit type	Matching model	External	Pin connection								
FAN-PB3 (Standard)	PBA300F <Standard>		CONNECTOR = PHR-3 (Mfr : J. S. T) TERMINAL = SPH-002T-P0.5S (Mfr : J. S. T) <table border="1"> <thead> <tr> <th>Pin No.</th> <th>Content</th> </tr> </thead> <tbody> <tr> <td>1</td> <td>GND</td> </tr> <tr> <td>2</td> <td>FAN ALARM</td> </tr> <tr> <td>3</td> <td>POWER</td> </tr> </tbody> </table>	Pin No.	Content	1	GND	2	FAN ALARM	3	POWER
Pin No.	Content										
1	GND										
2	FAN ALARM										
3	POWER										
FAN-PB3-F3 (Air flow reverse : -F3)	PBA300F <Modification : F3>										
FAN-PB3-F4 (Low speed : -F4)	PBA300F <Modification : F4>										
FAN-PB6 (Standard)	PBA600F <Standard>		LENGTH OF HARNESS = 40 ± 5mm CONNECTOR = XAP-03V-1 (Mfr : J. S. T) TERMINAL = SXA-001T-P0.6 (Mfr : J. S. T) <table border="1"> <thead> <tr> <th>Pin No.</th> <th>Content</th> </tr> </thead> <tbody> <tr> <td>1</td> <td>GND</td> </tr> <tr> <td>2</td> <td>FAN ALARM</td> </tr> <tr> <td>3</td> <td>POWER</td> </tr> </tbody> </table> LENGTH OF HARNESS = 55 ± 7mm	Pin No.	Content	1	GND	2	FAN ALARM	3	POWER
Pin No.	Content										
1	GND										
2	FAN ALARM										
3	POWER										
FAN-PB6-F1 (Long life : -F1)	PBA600F <Modification : F1>										
FAN-PB6-F3 (Air flow reverse : -F3)	PBA600F <Modification : F3>										
FAN-PB6-F4 (Low speed : -F4)	PBA600F <Modification : F4>										

- ★ 1 Handle with care and don't add the impact such as falls or throwing to the unit.
- ★ 2 Exchange the unit after intercepting the input power.
- ★ 3 When the unit is exchanged, make sure there are not loosening of the connector and shutting the harness.

Fan unit

PB Series

★Fan unit is prepared by the option.

Fan unit type	Matching model	External	Pin connection								
FAN-PB10 (Standard)	PBA1000F <Standard>		<p>CONNECTOR = XAP-03V-1 (Mfr : J. S. T) TERMINAL = SXA-001T-P0.6 (Mfr : J. S. T)</p> <table border="1"> <thead> <tr> <th>Pin No.</th> <th>Content</th> </tr> </thead> <tbody> <tr> <td>1</td> <td>GND</td> </tr> <tr> <td>2</td> <td>FAN ALARM</td> </tr> <tr> <td>3</td> <td>POWER</td> </tr> </tbody> </table> <p>LENGTH OF HARNESS = 55 ± 7mm</p>	Pin No.	Content	1	GND	2	FAN ALARM	3	POWER
Pin No.	Content										
1	GND										
2	FAN ALARM										
3	POWER										
FAN-PB10-F1 (Long life : -F1)	PBA1000F <Modification : F1>										
FAN-PB10-F3 (Air flow reverse : -F3)	PBA1000F <Modification : F3>										
FAN-PB10-F4 (Low speed : -F4)	PBA1000F <Modification : F4>										
FAN-PB15 (Standard)	PBA1500F PBA1500T <Standard>										
FAN-PB15-F1 (Long life : -F1)	PBA1500F PBA1500T <Modification : F1>										
FAN-PB15-F3 (Air flow reverse : -F3)	PBA1500F PBA1500T <Modification : F3>										
FAN-PB15-F4 (Low speed : -F4)	PBA1500F PBA1500T <Modification : F4>										

★ 1 Handle with care and don't add the impact such as falls or throwing to the unit.

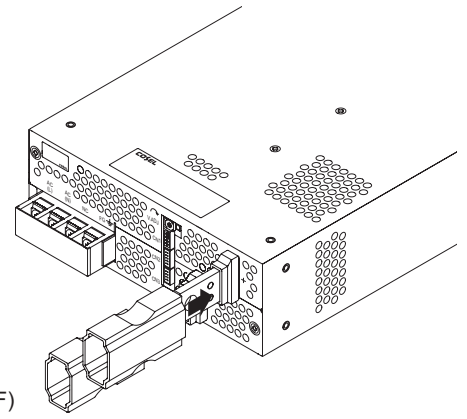
★ 2 Exchange the unit after intercepting the input power.

★ 3 When the unit is exchanged, make sure there are not loosening of the connector and shutting the harness.

Insulated tube for PBA1000F, PBA1500F & PBA1500T

This is a tube used to insulate an output terminal.

Plate model	Applicable to model
T-PBA1500-1	PBA1000F PBA1500F PBA1500T
T-PBA1500-2	PBA1000F PBA1500F PBA1500T



Example(PBA1500F)

(Unit : mm) (Tolerance : ±1)

T-PBA1500-1	T-PBA1500-2
<p>★ This is used when insulating the tip portion of an output terminal.</p> <p>★ Material : Silicone rubber Black</p>	<p>★ This is used when insulating the root portion of an output terminal.</p> <p>★ Material : Silicone rubber Black</p>

★ If this product is attached, a wiring portion can't be visible.
Be careful not to forget to attach the screw or the bolt for electric wire connection.

Mouser Electronics

Authorized Distributor

Click to View Pricing, Inventory, Delivery & Lifecycle Information:

Cosel:

[B-MX-9](#) [B-MX-1](#) [B-MX-6](#) [B-MX-4](#) [B-MX-7](#) [B-MX-5](#) [B-MX-8](#) [B-MX-2](#) [B-MX-3](#)

Компания «Океан Электроники» предлагает заключение долгосрочных отношений при поставках импортных электронных компонентов на взаимовыгодных условиях!

Наши преимущества:

- Поставка оригинальных импортных электронных компонентов напрямую с производств Америки, Европы и Азии, а так же с крупнейших складов мира;
- Широкая линейка поставок активных и пассивных импортных электронных компонентов (более 30 млн. наименований);
- Поставка сложных, дефицитных, либо снятых с производства позиций;
- Оперативные сроки поставки под заказ (от 5 рабочих дней);
- Экспресс доставка в любую точку России;
- Помощь Конструкторского Отдела и консультации квалифицированных инженеров;
- Техническая поддержка проекта, помощь в подборе аналогов, поставка прототипов;
- Поставка электронных компонентов под контролем ВП;
- Система менеджмента качества сертифицирована по Международному стандарту ISO 9001;
- При необходимости вся продукция военного и аэрокосмического назначения проходит испытания и сертификацию в лаборатории (по согласованию с заказчиком);
- Поставка специализированных компонентов военного и аэрокосмического уровня качества (Xilinx, Altera, Analog Devices, Intersil, Interpoint, Microsemi, Actel, Aeroflex, Peregrine, VPT, Syfer, Eurofarad, Texas Instruments, MS Kennedy, Miteq, Cobham, E2V, MA-COM, Hittite, Mini-Circuits, General Dynamics и др.);

Компания «Океан Электроники» является официальным дистрибьютором и эксклюзивным представителем в России одного из крупнейших производителей разъемов военного и аэрокосмического назначения «JONHON», а так же официальным дистрибьютором и эксклюзивным представителем в России производителя высокотехнологичных и надежных решений для передачи СВЧ сигналов «FORSTAR».



JONHON

«JONHON» (основан в 1970 г.)

Разъемы специального, военного и аэрокосмического назначения:

(Применяются в военной, авиационной, аэрокосмической, морской, железнодорожной, горно- и нефтедобывающей отраслях промышленности)

«FORSTAR» (основан в 1998 г.)

ВЧ соединители, коаксиальные кабели, кабельные сборки и микроволновые компоненты:

(Применяются в телекоммуникациях гражданского и специального назначения, в средствах связи, РЛС, а так же военной, авиационной и аэрокосмической отраслях промышленности).



Телефон: 8 (812) 309-75-97 (многоканальный)

Факс: 8 (812) 320-03-32

Электронная почта: ocean@oceanchips.ru

Web: <http://oceanchips.ru/>

Адрес: 198099, г. Санкт-Петербург, ул. Калинина, д. 2, корп. 4, лит. А