

PLEASE CHECK WWW.MOLEX.COM FOR LATEST PART INFORMATION

Part Number: [0459110015](#)
Status: **Active**
Overview: edge card connectors
Description: 12.90mm (.508") Pitch EXTreme PowerEdge™, Mixed Power/Signal Card Edge Connector, Double Sided, 3 Segments (Power, Signal, Signal Sequence), Through Hole Solder for 1.57mm (.062") Thick PC Board

Documents:

[3D Model](#) [Product Specification PS-45719-001 \(PDF\)](#)
[Drawing \(PDF\)](#) [RoHS Certificate of Compliance \(PDF\)](#)

Agency Certification

| | |
|-----|--------------|
| CSA | LR 19980 |
| TUV | 30482572.001 |
| UL | E29179 |

General

| | |
|----------------|--------------------------------------|
| Product Family | Edge Card Connectors |
| Series | 45911 |
| Component Type | Edgecard to PCB |
| Overview | edge_card_connectors |
| Product Name | EXTreme PowerEdge™ |

Physical

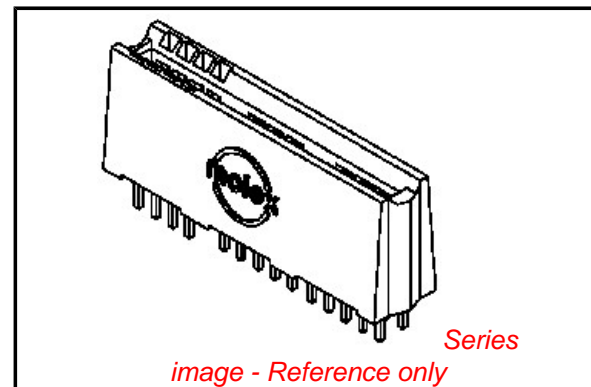
| | |
|--------------------------------|--------------------------------|
| Circuits (Loaded) | 18 |
| Circuits (maximum) | 18 |
| Circuits Detail | 2 Power, 8 Signal, 8 Signal |
| Color - Resin | Black |
| Durability (mating cycles max) | 250 |
| Entry Angle | Vertical (Top Entry) |
| Flammability | 94V-0 |
| Keying to Mating Part | N/A |
| Material - Metal | Phosphor Bronze |
| Material - Plating Mating | Gold |
| Material - Plating Termination | Tin |
| Material - Resin | High Temperature Thermoplastic |
| PC Tail Length (in) | 0.126 In |
| PC Tail Length (mm) | 3.19 mm |
| PCB Thickness Recommended (in) | 0.062 In |
| PCB Thickness Recommended (mm) | 1.60 mm |
| Packaging Type | Tray |
| Pitch - Mating Interface (in) | 0.508 In |
| Pitch - Mating Interface (mm) | 12.90 mm |
| Plating min: Mating (µin) | 30 |
| Plating min: Mating (µm) | 0.75 |
| Plating min: Termination (µin) | 150 |
| Plating min: Termination (µm) | 3.75 |
| Temperature Range - Operating | -40°C to +105°C |
| Termination Interface: Style | Through Hole |

Electrical

| | |
|-------------------------------|---------|
| Current - Maximum per Contact | 3A, 40A |
| Voltage - Maximum | 250V |

Solder Process Data

| | |
|--|------------------------|
| Duration at Max. Process Temperature (seconds) | 5 |
| Lead-free Process Capability | Wave Capable (TH only) |



EU RoHS

**ELV and RoHS
Compliant**
**REACH SVHC
Contains SVHC: No**
**Halogen-Free
Status**

China RoHS



**Need more information on product
environmental compliance?**

Email productcompliance@molex.com
For a multiple part number RoHS Certificate of Compliance, [click here](#)

Please visit the [Contact Us](#) section for any non-product compliance questions.

Search Parts in this Series

[45911Series](#)

Mates With

1.58mm (.062") double sided card edge

| | |
|---|-----|
| Max. Cycles at Max. Process Temperature | 1 |
| Process Temperature max. C | 250 |

Material Info

Reference - Drawing Numbers

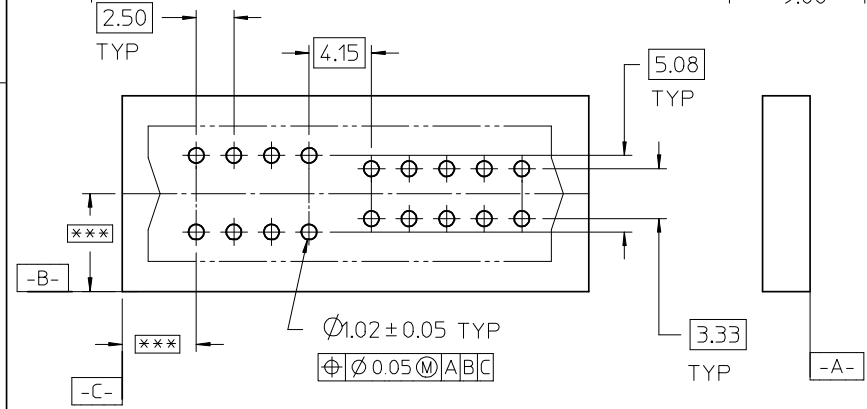
| | |
|-------------------------|--------------|
| Packaging Specification | PK-45714-001 |
| Product Specification | PS-45719-001 |
| Sales Drawing | SD-45911-001 |

This document was generated on 06/04/2010

PLEASE CHECK WWW.MOLEX.COM FOR LATEST PART INFORMATION



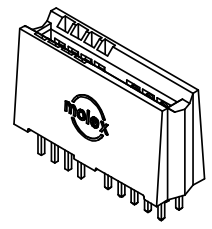
- NOTES:
- MATERIAL: HOUSING - LCP, UL94V-0, BLACK
MATERIAL: TERMINALS - COPPER ALLOY
 - FINISH: SELECT GOLD: 30 MI MIN IN CONTACT AREA
SELECT TIN: 150 MI MIN IN PC TAIL AREA
BOTH OVER NICKEL: 50 MI MIN
 - PRODUCT SPECIFICATION: PS-45719-001.
 - PACKAGING SPECIFICATION: PK-45714-001.
 - PCB THICKNESS: SEE CHART
 - EDGE CARD THICKNESS: 1.57±0.15
 - DIMENSIONS GIVEN ACROSS CENTERLINES ARE SYMMETRICAL ABOUT THOSE CENTERLINES WITHIN HALF THE TOTAL TOLERANCE.
 - 0.50 X 45° CHAMFER ON LEADING EDGE, TYP 4 SIDES.



PCB LAYOUT: COMPONENT SIDE
*** = TO BE DETERMINED BY CUSTOMER

| MATERIAL NUMBER | SEGMENT 2 | SEGMENT 1 | DIM P | | PCB THK |
|-----------------|-----------|-----------|-------|--|---------|
| | | | DIM T | | |
| 45911-0001 | SIGNAL | POWER | 4.50 | | 3.18 |
| 45911-0002 | POWER | SIGNAL | 4.33 | | 2.36 |
| 45911-0003 | SIGNAL | POWER | 3.19 | | 1.57 |
| 45911-0004 | POWER | SIGNAL | 3.19 | | |
| SEE 45844 | SIGNAL | SIGNAL | --- | | --- |
| SEE 45719 | POWER | POWER | --- | | --- |

EDGE CARD LAYOUT:
TOLERANCE: ±0.05



| | | |
|-------------|------------|--------------------|
| REVISE G | REV | DESCRIPTION |
| | 2008/04/25 | APPR: APATEL |
| | 2008/04/22 | CHKD: JSCHAFFER |
| | 2008/04/16 | DRWN: UCP2008-2498 |

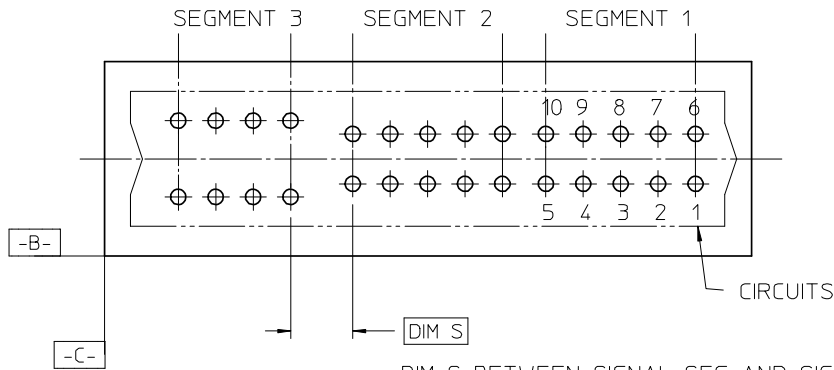
| |
|-----------------|
| QUALITY SYMBOLS |
|-----------------|

| | | |
|--|--------|-------|
| GENERAL TOLERANCES (UNLESS SPECIFIED) | | |
| | mm | INCH |
| 4 PLACES | ± --- | ± --- |
| 3 PLACES | ± --- | ± --- |
| 2 PLACES | ± 0.25 | ± --- |
| 1 PLACE | ± 0.25 | ± --- |
| ANGULAR ±1/2° | | |
| DRAFT WHERE APPLICABLE MUST REMAIN WITHIN DIMENSIONS | | |

| | |
|-----------------|------------|
| DIMENSION STYLE | |
| MM ONLY | |
| DRAWN BY | DATE |
| SAMIEC | 2005/04/14 |
| CHECKED BY | DATE |
| SAMIEC | 2005/04/14 |
| APPROVED BY | DATE |
| MARGULIS | 2005/04/14 |
| MATERIAL NUMBER | SEE CHART |
| SIZE | A |

| | | |
|---|--------------|------------------------|
| SCALE | DESIGN UNITS | THIRD ANGLE PROJECTION |
| 2:1 | METRIC | |
| TITLE | | |
| POWER EDGE ASSEMBLY POWER / SIGNAL MIXED VERTICAL SOLDER TAIL | | |
| molex MOLEX INCORPORATED | | |
| MATERIAL NUMBER | DOCUMENT NO. | SHEET NO. |
| SEE CHART | SD-45911-001 | 1 OF 4 |
| THIS DRAWING CONTAINS INFORMATION THAT IS PROPRIETARY TO MOLEX INCORPORATED AND SHOULD NOT BE USED WITHOUT WRITTEN PERMISSION | | |

MATERIAL NUMBER: 45911-0007 SHOWN
 SEE SHEET ONE FOR ALL OTHER NOTES AND DIMENSIONS



DIM S BETWEEN SIGNAL SEG AND SIGNAL SEG: 5.40
 DIM S BETWEEN POWER SEG AND POWER SEG: 2.90
 DIM S BETWEEN SIGNAL SEG AND POWER SEG: 4.15

PCB LAYOUT: COMPONENT SIDE

| MATERIAL NUMBER | SEGMENT 3 | SEGMENT 2 | SEGMENT 1 | DIM P DIM T | PCB THK |
|-----------------|-----------|-----------|-----------|----------------|--------------|
| 45911-0007 | SIGNAL | POWER | POWER | 4.50 4.33 | 3.18 2.36 |
| 45911-0008 | POWER | SIGNAL | POWER | | |
| 45911-0009 | SIGNAL | SIGNAL | POWER | | |
| 45911-0010 | SIGNAL | POWER | SIGNAL | | |
| 45911-0011 | POWER | SIGNAL | SIGNAL | 3.19 3.19 | 1.57 |
| 45911-0012 | POWER | POWER | SIGNAL | | |
| 45911-0013 | SIGNAL | POWER | POWER | | |
| 45911-0014 | POWER | SIGNAL | POWER | | |
| 45911-0015 | SIGNAL | SIGNAL | POWER | | |
| 45911-0016 | SIGNAL | POWER | SIGNAL | | |
| 45911-0017 | POWER | SIGNAL | SIGNAL | | |
| 45911-0018 | POWER | POWER | SIGNAL | | |



| | | | | | | | | | |
|---|--------------------------------|---------------------------------------|-------------|-----------------------------------|------------------------------|--|---|----------------------------|--|
| EC NO: UCP2008-2498 DRWN: JSCHAFFER 2008/04/16 CHKD: 2008/04/22 APPR: APATEL 2008/04/25 REV G | QUALITY SYMBOLS DESCRIPTION | GENERAL TOLERANCES (UNLESS SPECIFIED) | | DIMENSION STYLE MM ONLY | | SCALE 1:1 | DESIGN UNITS METRIC | THIRD ANGLE PROJECTION | |
| | | | mm | INCH | DRAWN BY | DATE | TITLE POWER EDGE ASSEMBLY POWER / SIGNAL MIXED VERTICAL SOLDER TAIL | | |
| | | 4 PLACES | ± --- | ± --- | SAMIEC | 2005/04/14 | | | |
| | | 3 PLACES | ± --- | ± --- | CHECKED BY | DATE | MOLEX MOLEX INCORPORATED | | |
| | | 2 PLACES | ± 0.25 | ± --- | SAMIEC | 2005/04/14 | | | |
| 1 PLACE | ± 0.25 | ± --- | APPROVED BY | DATE | MATERIAL NUMBER SEE CHART | | DOCUMENT NO. SD-45911-001 | SHEET NO. 2 OF 4 | |
| DRAFT WHERE APPLICABLE MUST REMAIN WITHIN DIMENSIONS | | ANGULAR ±1/2° | | SIZE A | | THIS DRAWING CONTAINS INFORMATION THAT IS PROPRIETARY TO MOLEX INCORPORATED AND SHOULD NOT BE USED WITHOUT WRITTEN PERMISSION | | | |



SEGMENT 1
CIRCUIT 1

SEE CHART ON SHEET 4
FOR MATERIAL NUMBERS



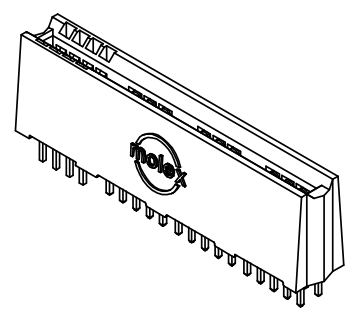
-B-

-C-

DIM S

DIM S BETWEEN SIGNAL SEG AND SIGNAL SEG: 5.40
 DIM S BETWEEN POWER SEG AND POWER SEG: 2.90
 DIM S BETWEEN SIGNAL SEG AND POWER SEG: 4.15

PCB LAYOUT: COMPONENT SIDE



| | | | | | | | | | | |
|---|---------------------------------------|---------------------------------------|--|-----------------------------------|---|--|--|------------------------|--|--|
| EC NO: UCP2008-2498 DRWN: JSCHAFFER 2008/04/16 CHKD: 2008/04/22 APPR: APATEL 2008/04/25 G | QUALITY SYMBOLS DESCRIPTION REV | GENERAL TOLERANCES (UNLESS SPECIFIED) | | DIMENSION STYLE MM ONLY | | SCALE 2:1 | DESIGN UNITS METRIC | THIRD ANGLE PROJECTION | | |
| | | | mm | INCH | DRAWN BY SAMIEC | DATE 2005/04/14 | TITLE POWER EDGE ASSEMBLY POWER / SIGNAL MIXED VERTICAL SOLDER TAIL | | | |
| | | 4 PLACES | ± --- | ± --- | CHECKED BY SAMIEC | DATE 2005/04/14 | | | | |
| | | 3 PLACES | ± --- | ± --- | APPROVED BY MARGULIS | DATE 2005/04/14 | MOLEX INCORPORATED | | | |
| | | 2 PLACES | ± 0.25 | ± --- | MATERIAL NUMBER SEE CHART ON SHEET 4 | | | | | |
| 1 PLACE | ± 0.25 | ± --- | DRAFT WHERE APPLICABLE MUST REMAIN WITHIN DIMENSIONS | | SIZE A | THIS DRAWING CONTAINS INFORMATION THAT IS PROPRIETARY TO MOLEX INCORPORATED AND SHOULD NOT BE USED WITHOUT WRITTEN PERMISSION | | | | |

| 6 | | 5 | | | 4 | | 3 | | 2 | | | 1 | |
|-----------------|-----------|-----------|-----------|-----------|-----------------------|--------------|-----------------|-----------|-----------|-----------|-----------|-----------------------|---------|
| MATERIAL NUMBER | SEGMENT 4 | SEGMENT 3 | SEGMENT 2 | SEGMENT 1 | $\frac{DIM P}{DIM T}$ | PCB THK | MATERIAL NUMBER | SEGMENT 4 | SEGMENT 3 | SEGMENT 2 | SEGMENT 1 | $\frac{DIM P}{DIM T}$ | PCB THK |
| 45911-0025 | SIGNAL | POWER | POWER | POWER | $\frac{4.50}{4.33}$ | 3.18 2.36 | 45911-0039 | SIGNAL | POWER | POWER | POWER | $\frac{3.19}{3.19}$ | 1.57 |
| 45911-0026 | POWER | SIGNAL | POWER | POWER | | | 45911-0040 | POWER | SIGNAL | POWER | POWER | | |
| 45911-0027 | SIGNAL | SIGNAL | POWER | POWER | | | 45911-0041 | SIGNAL | SIGNAL | POWER | POWER | | |
| 45911-0028 | SIGNAL | POWER | SIGNAL | POWER | | | 45911-0042 | SIGNAL | POWER | SIGNAL | POWER | | |
| 45911-0029 | POWER | SIGNAL | SIGNAL | POWER | | | 45911-0043 | POWER | SIGNAL | SIGNAL | POWER | | |
| 45911-0030 | POWER | POWER | SIGNAL | POWER | | | 45911-0044 | POWER | POWER | SIGNAL | POWER | | |
| 45911-0031 | SIGNAL | SIGNAL | SIGNAL | POWER | | | 45911-0045 | SIGNAL | SIGNAL | SIGNAL | POWER | | |
| 45911-0032 | SIGNAL | POWER | POWER | SIGNAL | | | 45911-0046 | SIGNAL | POWER | POWER | SIGNAL | | |
| 45911-0033 | POWER | SIGNAL | POWER | SIGNAL | | | 45911-0047 | POWER | SIGNAL | POWER | SIGNAL | | |
| 45911-0034 | SIGNAL | SIGNAL | POWER | SIGNAL | | | 45911-0048 | SIGNAL | SIGNAL | POWER | SIGNAL | | |
| 45911-0035 | SIGNAL | POWER | SIGNAL | SIGNAL | | | 45911-0049 | SIGNAL | POWER | SIGNAL | SIGNAL | | |
| 45911-0036 | POWER | SIGNAL | SIGNAL | SIGNAL | | | 45911-0050 | POWER | SIGNAL | SIGNAL | SIGNAL | | |
| 45911-0037 | POWER | POWER | SIGNAL | SIGNAL | | | 45911-0051 | POWER | POWER | SIGNAL | SIGNAL | | |
| 45911-0038 | POWER | POWER | POWER | SIGNAL | | | 45911-0052 | POWER | POWER | POWER | SIGNAL | | |

| EC NO: UCP2008-2498 DRWN: JSCHAFER CHKD: APPR: APATEL 2008/04/25 DESCRIPTION REV | GENERAL TOLERANCES (UNLESS SPECIFIED) | DIMENSION STYLE MM ONLY | SCALE 1:1 | DESIGN UNITS METRIC | THIRD ANGLE PROJECTION | | | | | | | | | | | | | | | |
|--|---|-----------------------------------|-------------------------------------|-------------------------------|--|-------|-------|----------|-------|-------|----------|--------|-------|---------|--------|-------|--------------------|--------------------|---|--|
| | <table border="1"> <thead> <tr> <th></th> <th>mm</th> <th>INCH</th> </tr> </thead> <tbody> <tr> <td>4 PLACES</td> <td>± ---</td> <td>± ---</td> </tr> <tr> <td>3 PLACES</td> <td>± ---</td> <td>± ---</td> </tr> <tr> <td>2 PLACES</td> <td>± 0.25</td> <td>± ---</td> </tr> <tr> <td>1 PLACE</td> <td>± 0.25</td> <td>± ---</td> </tr> </tbody> </table> | | mm | INCH | 4 PLACES | ± --- | ± --- | 3 PLACES | ± --- | ± --- | 2 PLACES | ± 0.25 | ± --- | 1 PLACE | ± 0.25 | ± --- | DRAWN BY SAMIEC | DATE 2005/04/14 | TITLE POWER EDGE ASSEMBLY POWER / SIGNAL MIXED VERTICAL SOLDER TAIL | |
| | | mm | INCH | | | | | | | | | | | | | | | | | |
| | 4 PLACES | ± --- | ± --- | | | | | | | | | | | | | | | | | |
| | 3 PLACES | ± --- | ± --- | | | | | | | | | | | | | | | | | |
| | 2 PLACES | ± 0.25 | ± --- | | | | | | | | | | | | | | | | | |
| 1 PLACE | ± 0.25 | ± --- | | | | | | | | | | | | | | | | | | |
| ANGULAR ±1/2° | CHECKED BY SAMIEC | DATE 2005/04/14 | | | | | | | | | | | | | | | | | | |
| DRAFT WHERE APPLICABLE MUST REMAIN WITHIN DIMENSIONS | MARGULIS | 2005/04/14 | MOLEX INCORPORATED | | SHEET NO. 4 OF 4 | | | | | | | | | | | | | | | |
| SIZE A | MATERIAL NO. SEE CHART | | DOCUMENT NO. SD-45911-001 | | THIS DRAWING CONTAINS INFORMATION THAT IS PROPRIETARY TO MOLEX INCORPORATED AND SHOULD NOT BE USED WITHOUT WRITTEN PERMISSION | | | | | | | | | | | | | | | |

Компания «Океан Электроники» предлагает заключение долгосрочных отношений при поставках импортных электронных компонентов на взаимовыгодных условиях!

Наши преимущества:

- Поставка оригинальных импортных электронных компонентов напрямую с производств Америки, Европы и Азии, а так же с крупнейших складов мира;
- Широкая линейка поставок активных и пассивных импортных электронных компонентов (более 30 млн. наименований);
- Поставка сложных, дефицитных, либо снятых с производства позиций;
- Оперативные сроки поставки под заказ (от 5 рабочих дней);
- Экспресс доставка в любую точку России;
- Помощь Конструкторского Отдела и консультации квалифицированных инженеров;
- Техническая поддержка проекта, помощь в подборе аналогов, поставка прототипов;
- Поставка электронных компонентов под контролем ВП;
- Система менеджмента качества сертифицирована по Международному стандарту ISO 9001;
- При необходимости вся продукция военного и аэрокосмического назначения проходит испытания и сертификацию в лаборатории (по согласованию с заказчиком);
- Поставка специализированных компонентов военного и аэрокосмического уровня качества (Xilinx, Altera, Analog Devices, Intersil, Interpoint, Microsemi, Actel, Aeroflex, Peregrine, VPT, Syfer, Eurofarad, Texas Instruments, MS Kennedy, Miteq, Cobham, E2V, MA-COM, Hittite, Mini-Circuits, General Dynamics и др.);

Компания «Океан Электроники» является официальным дистрибьютором и эксклюзивным представителем в России одного из крупнейших производителей разъемов военного и аэрокосмического назначения «JONHON», а так же официальным дистрибьютором и эксклюзивным представителем в России производителя высокотехнологичных и надежных решений для передачи СВЧ сигналов «FORSTAR».



JONHON

«JONHON» (основан в 1970 г.)

Разъемы специального, военного и аэрокосмического назначения:

(Применяются в военной, авиационной, аэрокосмической, морской, железнодорожной, горно- и нефтедобывающей отраслях промышленности)

«FORSTAR» (основан в 1998 г.)

ВЧ соединители, коаксиальные кабели, кабельные сборки и микроволновые компоненты:

(Применяются в телекоммуникациях гражданского и специального назначения, в средствах связи, РЛС, а так же военной, авиационной и аэрокосмической отраслях промышленности).



Телефон: 8 (812) 309-75-97 (многоканальный)

Факс: 8 (812) 320-03-32

Электронная почта: ocean@oceanchips.ru

Web: <http://oceanchips.ru/>

Адрес: 198099, г. Санкт-Петербург, ул. Калинина, д. 2, корп. 4, лит. А