



PIC32MX1XX/2XX 28/44-PIN XLP FAMILY

32-bit XLP Microcontrollers (up to 256 KB Flash and 64 KB SRAM) with Audio and Graphics Interfaces, USB, and Advanced Analog

Operating Conditions

- 2.5V to 3.6V, -40°C to +85°C, DC to 72 MHz
- 2.5V to 3.6V, -40°C to +105°C, DC to 72 MHz

Core: 72 MHz/116 DMIPS MIPS32® M4K®

- MIPS16e® mode for up to 40% smaller code size
- Code-efficient (C and Assembly) architecture
- Single-cycle (MAC) 32x16 and two-cycle 32x32 multiply

Clock Management

- 0.9% internal oscillator
- Programmable PLLs and oscillator clock sources
- Fail-Safe Clock Monitor (FSCM)
- Independent Watchdog Timer
- Fast wake-up and start-up

Power Management

- Various power management options for extreme power reduction (VBAT, Deep Sleep, Sleep, and Idle)
- Deep Sleep current: 673 nA (typical)
- Integrated POR and BOR
- Programmable High/Low-Voltage Detect (HLVD) on VDD

Audio Interface Features

- Data communication: I²S, LJ, RJ, and DSP modes
- Control interface: SPI and I²C
- Master clock:
 - Generation of fractional clock frequencies
 - Can be synchronized with USB clock
 - Can be tuned in run-time

Advanced Analog Features

- ADC Module:
 - 10-bit 1.1 Msps rate with one S&H
 - Up to 10 analog inputs on 28-pin devices and 13 analog inputs on 44-pin devices
- Flexible and independent ADC trigger sources
- Charge Time Measurement Unit (CTMU):
 - Supports mTouch™ capacitive touch sensing
 - Provides high-resolution time measurement (1 ns)
 - On-chip temperature measurement capability
- Comparators:
 - Up to three Analog Comparator modules
 - Programmable references with 32 voltage points

Timers/Output Compare/Input Capture

- Five General Purpose Timers:
 - Five 16-bit and up to two 32-bit Timers/Counters
- Five Output Compare (OC) modules
- Five Input Capture (IC) modules
- Peripheral Pin Select (PPS) to allow function remap
- Real-Time Clock and Calendar (RTCC) module

Communication Interfaces

- USB 2.0-compliant Full-speed OTG controller
- Two UART modules (17.5 Mbps):
 - Supports LIN 2.0 protocols and IrDA® support
- Two 4-wire SPI modules (25 Mbps)
- Two I²C modules (up to 1 Mbaud) with SMBus support
- PPS to allow function remap
- Parallel Master Port (PMP)

Direct Memory Access (DMA)

- Four channels of hardware DMA with automatic data size detection
- Two additional channels dedicated for USB
- Programmable Cyclic Redundancy Check (CRC)

Input/Output

- 10 mA source/sink on all I/O pins and up to 14 mA on non-standard VOH
- 5V-tolerant pins
- Selectable open drain, pull-ups, and pull-downs
- External interrupts on all I/O pins

Qualification and Class B Support

- AEC-Q100 REVG (Grade 2 -40°C to +105°C) (planned)
- Class B Safety Library, IEC 60730 (planned)

Debugger Development Support

- In-circuit and in-application programming
- 4-wire MIPS® Enhanced JTAG interface
- Unlimited program and six complex data breakpoints
- IEEE 1149.2-compatible (JTAG) boundary scan

Integrated Software Libraries and Tools

- C/C++ compiler with native DSP/fractional support
- MPLAB® Harmony Integrated Software Framework
- USB stack

Packages

| Type | SOIC | QFN | | TQFP |
|--------------------|------------------|---------|---------|-----------|
| Pin Count | 28 | 28 | 44 | 44 |
| I/O Pins (up to) | 21 | 21 | 34 | 34 |
| Contact/Lead Pitch | 1.27 | 0.65 | 0.65 | 0.80 |
| Dimensions | 17.90x10.30x2.65 | 6x6x0.9 | 8x8x0.9 | 10x10x1.0 |

Note: All dimensions are in millimeters (mm) unless specified.

PIC32MX1XX/2XX 28/44-PIN XLP FAMILY

TABLE 1: PIC32MX1XX 28/44-PIN XLP (GENERAL PURPOSE) FAMILY FEATURES

| Device | Pins | Program Memory (KB) ⁽¹⁾ | Data Memory (KB) | Remappable Peripherals | | | | Analog Comparators | I ² C™ | PMP | DMA Channels (Programmable/Dedicated) | CTMU | 10-bit 1 Msps ADC (Channels) | RTCC | I/O Pins | JTAG | VBAT | Packages | |
|-----------------|------|------------------------------------|------------------|------------------------|--|------|----------------------|--------------------|-------------------|-----|---------------------------------------|------|------------------------------|------|----------|------|------|----------|------------------------------------|
| | | | | Remappable Pins | Timers ⁽²⁾ /Capture/Compare/PWM | UART | SPI/I ² S | | | | | | | | | | | | External Interrupts ⁽³⁾ |
| PIC32MX154F128B | 28 | 128+12 | 32 | 20 | 5/5/5/5 | 2 | 2 | 5 | 3 | 2 | Y | 4/2 | Y | 10 | Y | 21 | Y | N | SOIC, QFN |
| PIC32MX154F128D | 44 | | | 30 | | | | | | | | | | | | | | N | TQFP, QFN |
| PIC32MX155F128B | 28 | | | 19 | | | | | | | | | | | | | | Y | SOIC, QFN |
| PIC32MX155F128D | 44 | | | 29 | | | | | | | | | | | | | | Y | TQFP, QFN |
| PIC32MX174F256B | 28 | 256+12 | 64 | 20 | 5/5/5/5 | 2 | 2 | 5 | 3 | 2 | Y | 4/2 | Y | 10 | Y | 21 | Y | N | SOIC, QFN |
| PIC32MX174F256D | 44 | | | 30 | | | | | | | | | | | | | | N | TQFP, QFN |
| PIC32MX175F256B | 28 | | | 19 | | | | | | | | | | | | | | Y | SOIC, QFN |
| PIC32MX175F256D | 44 | | | 29 | | | | | | | | | | | | | | Y | TQFP, QFN |

Note 1: This device features 12 KB of Boot Flash memory.
 2: Four out of five timers are remappable.
 3: Four out of five external interrupts are remappable.

TABLE 2: PIC32MX2XX 28/44-PIN XLP (USB) FAMILY FEATURES

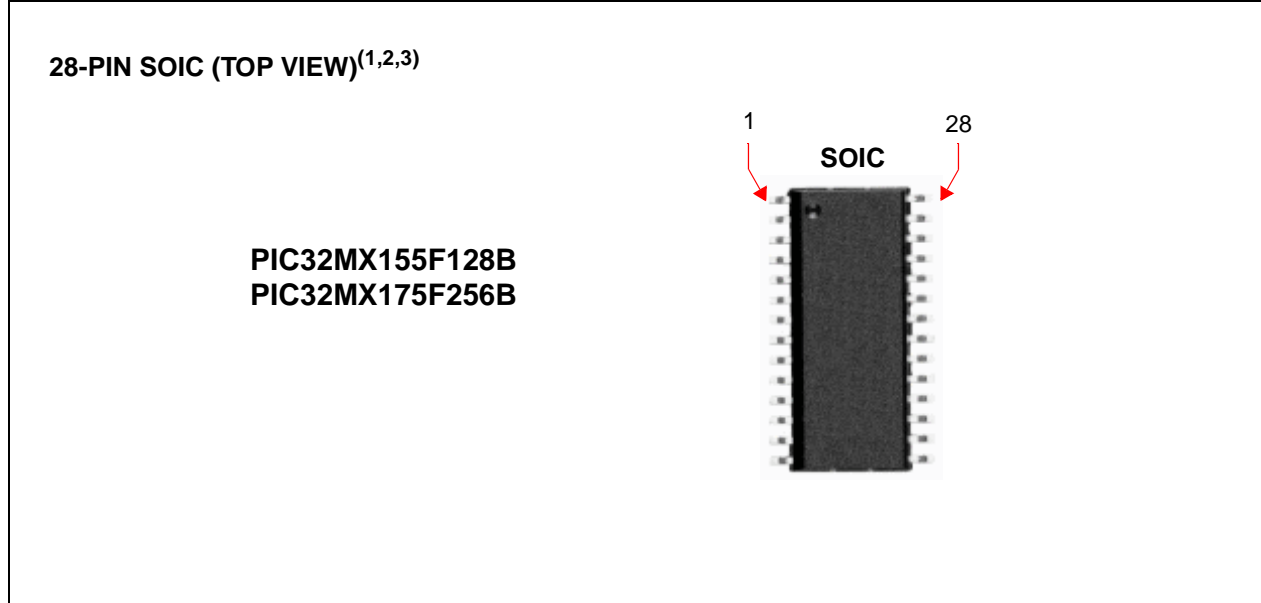
| Device | Pins | Program Memory (KB) ⁽¹⁾ | Data Memory (KB) | Remappable Peripherals | | | | Analog Comparators | USB On-The-Go (OTG) | I ² C™ | PMP | DMA Channels (Programmable/Dedicated) | CTMU | 10-bit 1 Msps ADC (Channels) | RTCC | I/O Pins | JTAG | VBAT | Packages | |
|-----------------|------|------------------------------------|------------------|------------------------|--|------|----------------------|--------------------|---------------------|-------------------|-----|---------------------------------------|------|------------------------------|------|----------|------|------|----------|------------------------------------|
| | | | | Remappable Pins | Timers ⁽²⁾ /Capture/Compare/PWM | UART | SPI/I ² S | | | | | | | | | | | | | External Interrupts ⁽³⁾ |
| PIC32MX254F128B | 28 | 128+12 | 32 | 17 | 5/5/5/5 | 2 | 2 | 5 | 3 | Y | 2 | Y | 4/2 | Y | 9 | Y | 17 | Y | N | SOIC, QFN |
| PIC32MX254F128D | 44 | | | 29 | | | | | | | | | | | | | | | N | TQFP, QFN |
| PIC32MX255F128B | 28 | | | 16 | | | | | | | | | | | | | | | Y | SOIC, QFN |
| PIC32MX255F128D | 44 | | | 28 | | | | | | | | | | | | | | | Y | TQFP, QFN |
| PIC32MX274F256B | 28 | 256+12 | 64 | 17 | 5/5/5 | 2 | 2 | 5 | 3 | Y | 2 | Y | 4/2 | Y | 9 | Y | 17 | Y | N | SOIC, QFN |
| PIC32MX274F256D | 44 | | | 29 | | | | | | | | | | | | | | | N | TQFP, QFN |
| PIC32MX275F256B | 28 | | | 16 | | | | | | | | | | | | | | | Y | SOIC, QFN |
| PIC32MX275F256D | 44 | | | 28 | | | | | | | | | | | | | | | Y | TQFP, QFN |

Note 1: This device features 12 KB of Boot Flash memory.
 2: Four out of five timers are remappable.
 3: Four out of five external interrupts are remappable.

PIC32MX1XX/2XX 28/44-PIN XLP FAMILY

Pin Diagrams

TABLE 3: PIN NAMES FOR 28-PIN GENERAL PURPOSE DEVICES WITH VBAT



| Pin # | Full Pin Name | Pin # | Full Pin Name |
|-------|--|-------|--|
| 1 | MCLR | 15 | PGEC3/RPB6/ASCL2/PMD6/RB6 |
| 2 | VREF+/AN0/C3INC/RPA0/ASDA1/CTED1/PMA1/RA0 | 16 | TDI/RPB7/CTED3/PMD5/INT0/RB7 |
| 3 | VREF-/AN1/RPA1/ASCL1/CTED2/PMRD/RA1 | 17 | TCK/RPB8/SCL1/CTED10/PMD4/RB8 |
| 4 | PGED2/AN2/C1IND/C2INB/C3IND/RPB0/RB0 | 18 | TDO/RPB9/SDA1/CTED4/PMD3/RB9 |
| 5 | PGEC2/AN3/C1INC/C2INA/LVDIN/RPB1/CTED12//RB1 | 19 | Vss |
| 6 | AN4/C1INB/C2IND/RPB2/SDA2/CTED13/RB2 | 20 | VCAP |
| 7 | AN5/C1INA/C2INC/RTCC/RPB3/SCL2/CTPLS/RB3 | 21 | PGED1/RPB10/CTED11/PMD2/RB10 |
| 8 | Vss | 22 | PGEC1/TMS/RPB11/PMD1/RB11 |
| 9 | OSC1/CLKI/RPA2/RA2 | 23 | AN12/PMD0/RB12 |
| 10 | OSC2/CLKO/RPA3/PMA0/RA3 | 24 | VBAT |
| 11 | SOSCI/RPB4/RB4 ⁽⁴⁾ | 25 | CVREFOUT/AN10/C3INB/RPB14/SCK1/CTED5/PMWR/RB14 |
| 12 | SOSCO/RPA4/T1CK/CTED9/RA4 | 26 | AN9/C3INA/RPB15/SCK2/CTED6/PMCS1/RB15 |
| 13 | VDD | 27 | AVSS |
| 14 | PGED3/RPB5/ASDA2/PMD7/RB5 | 28 | AVDD |

- Note**
- 1: The RPN pins can be used by remappable peripherals. See [Table 1](#) for the available peripherals and [12.3 "Peripheral Pin Select"](#) for restrictions.
 - 2: Every I/O port pin (RAX-RBx) can be used as a change notification pin (CNAX-CNBx). See [12.0 "I/O Ports"](#) for more information.
 - 3: Shaded pins are 5V tolerant.
 - 4: This is an input-only pin.

PIC32MX1XX/2XX 28/44-PIN XLP FAMILY

TABLE 4: PIN NAMES FOR 28-PIN GENERAL PURPOSE DEVICES WITHOUT VBAT



| Pin # | Full Pin Name | Pin # | Full Pin Name |
|-------|--|-------|--|
| 1 | MCLR | 15 | PGEC3/RPB6/ASCL2/PMD6/RB6 |
| 2 | VREF+/AN0/C3INC/RPA0/ASDA1/CTED1/PMA1/RA0 | 16 | TDI/RPB7/CTED3/PMD5/INT0/RB7 |
| 3 | VREF-/AN1/RPA1/ASCL1/CTED2/RA1 | 17 | TCK/RPB8/SCL1/CTED10/PMD4/RB8 |
| 4 | PGED2/AN2/C1IND/C2INB/C3IND/RPB0/RB0 | 18 | TDO/RPB9/SDA1/CTED4/PMD3/RB9 |
| 5 | PGEC2/AN3/C1INC/C2INA/LVDIN/RPB1/CTED12//RB1 | 19 | Vss |
| 6 | AN4/C1INB/C2IND/RPB2/SDA2/CTED13/RB2 | 20 | VCAP |
| 7 | AN5/C1INA/C2INC/RTCC/RPB3/SCL2/RB3 | 21 | PGED1/RPB10/CTED11/PMD2/RB10 |
| 8 | Vss | 22 | PGEC1/TMS/RPB11/PMD1/RB11 |
| 9 | OSC1/CLKI/RPA2/RA2 | 23 | AN12/PMD0/RB12 |
| 10 | OSC2/CLKO/RPA3/PMA0/RA3 | 24 | AN11/RPB13/CTPLS/PMRD/RB13 |
| 11 | SOSCI/RPB4/RB4 ⁽⁴⁾ | 25 | CVREFOUT/AN10/C3INB/RPB14/SCK1/CTED5/PMWR/RB14 |
| 12 | SOSCO/RPA4/T1CK/CTED9/RA4 | 26 | AN9/C3INA/RPB15/SCK2/CTED6/PMCS1/RB15 |
| 13 | VDD | 27 | AVss |
| 14 | PGED3/RPB5/ASDA2/PMD7/RB5 | 28 | AVDD |

- Note**
- 1: The RPN pins can be used by remappable peripherals. See [Table 1](#) for the available peripherals and [12.3 "Peripheral Pin Select"](#) for restrictions.
 - 2: Every I/O port pin (RAX-RBx) can be used as a change notification pin (CNAX-CNBx). See [12.0 "I/O Ports"](#) for more information.
 - 3: Shaded pins are 5V tolerant.
 - 4: This is an input-only pin.

PIC32MX1XX/2XX 28/44-PIN XLP FAMILY

TABLE 5: PIN NAMES FOR 28-PIN USB DEVICES WITH VBAT

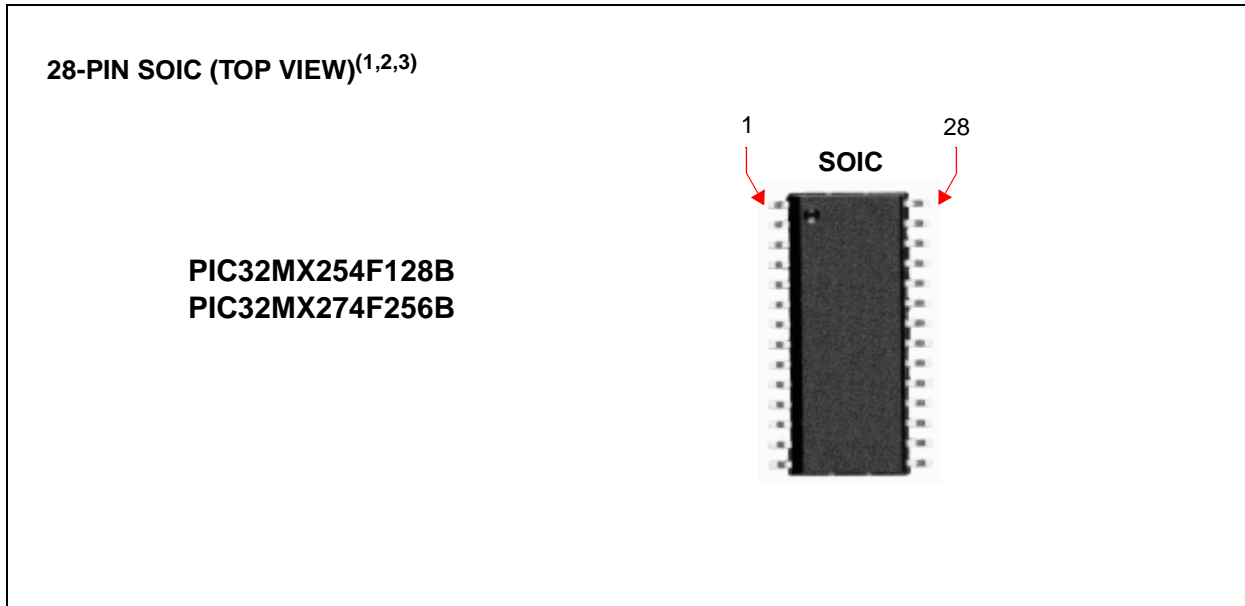


| Pin # | Full Pin Name | Pin # | Full Pin Name |
|-------|---|-------|--|
| 1 | MCLR | 15 | VBUS |
| 2 | PGED3/VREF+/AN0/C3INC/RPA0/ASDA1/CTED1/PMD7/RA0 | 16 | TDI/RPB7/CTED3/PMD5/INT0/RB7 |
| 3 | PGEC3/VREF-/AN1/RPA1/ASCL1/CTED2/PMD6/RA1 | 17 | TCK/RPB8/SCL1/CTED10/PMD4/RB8 |
| 4 | PGED2/AN2/C1IND/C2INB/C3IND/RPB0/PMD0/RB0 | 18 | TDO/RPB9/SDA1/CTED4/PMD3/RB9 |
| 5 | PGEC2/AN3/C1INC/C2INA/LVDIN/RPB1/CTED12/PMD1//RB1 | 19 | Vss |
| 6 | PGED1/AN4/C1INB/C2IND/RPB2/SDA2/CTED13/PMD2/RB2 | 20 | VCAP |
| 7 | PGEC1/AN5/C1INA/C2INC/RTCC/RPB3/SCL2/CTPLS/PMWR/RB3 | 21 | D+ |
| 8 | Vss | 22 | D- |
| 9 | OSC1/CLKI/RPA2/RA2 | 23 | VUSB3V3 |
| 10 | OSC2/CLKO/RPA3/PMA0/RA3 | 24 | VBAT |
| 11 | SOSCI/RPB4/CTED11/RB4 ⁽⁴⁾ | 25 | CVREFOUT/AN10/C3INB/RPB14/SCK1/CTED5/PMA1/RB14 |
| 12 | SOSCO/RPA4/T1CK/CTED9/RA4 | 26 | AN9/C3INA/RPB15/SCK2/CTED6/PMCS1/RB15 |
| 13 | VDD | 27 | AVss |
| 14 | TMS/RPB5/USBID/PMRD/RB5 | 28 | AVDD |

- Note**
- 1: The RPN pins can be used by remappable peripherals. See [Table 1](#) for the available peripherals and [12.3 "Peripheral Pin Select"](#) for restrictions.
 - 2: Every I/O port pin (RAX-RBx) can be used as a change notification pin (CNAX-CNBx). See [12.0 "I/O Ports"](#) for more information.
 - 3: Shaded pins are 5V tolerant.
 - 4: This is an input-only pin.

PIC32MX1XX/2XX 28/44-PIN XLP FAMILY

TABLE 6: PIN NAMES FOR 28-PIN USB DEVICES WITHOUT VBAT

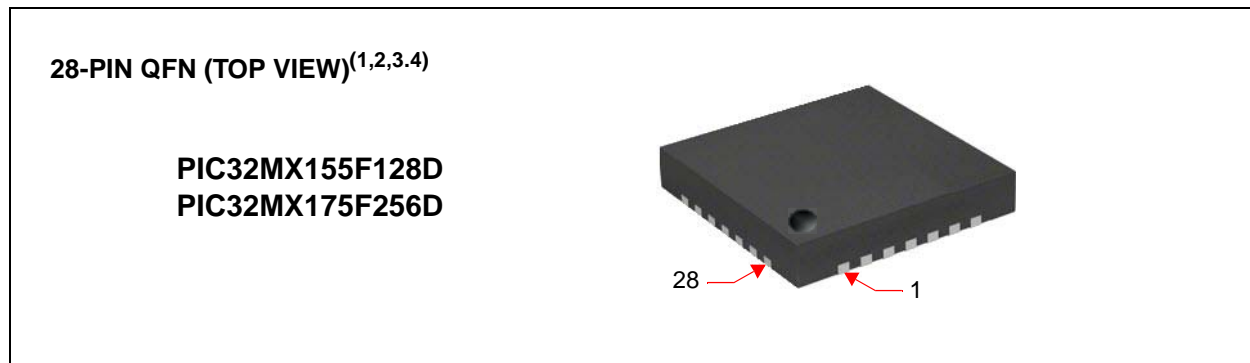


| Pin # | Full Pin Name | Pin # | Full Pin Name |
|-------|---|-------|--|
| 1 | MCLR | 15 | VBUS |
| 2 | PGED3/VREF+/AN0/C3INC/RPA0/ASDA1/CTED1/PMD7/RA0 | 16 | TDI/RPB7/CTED3/PMD5/INT0/RB7 |
| 3 | PGEC3/VREF-/AN1/RPA1/ASCL1/CTED2/PMD6/RA1 | 17 | TCK/RPB8/SCL1/CTED10/PMD4/RB8 |
| 4 | PGED2/AN2/C1IND/C2INB/C3IND/RPB0/PMD0/RB0 | 18 | TDO/RPB9/SDA1/CTED4/PMD3/RB9 |
| 5 | PGEC2/AN3/C1INC/C2INA/LVDIN/RPB1/CTED12/PMD1//RB1 | 19 | Vss |
| 6 | PGED1/AN4/C1INB/C2IND/RPB2/SDA2/CTED13/PMD2/RB2 | 20 | VCAP |
| 7 | PGEC1/AN5/C1INA/C2INC/RTCC/RPB3/SCL2/PMWR/RB3 | 21 | D+ |
| 8 | Vss | 22 | D- |
| 9 | OSC1/CLKI/RPA2/RA2 | 23 | VUSB3V3 |
| 10 | OSC2/CLKO/RPA3/PMA0/RA3 | 24 | AN11/RPB13/CTPLS/PMRD/RB13 |
| 11 | SOSCI/RPB4/CTED11/RB4 ⁽⁴⁾ | 25 | CVREFOUT/AN10/C3INB/RPB14/SCK1/CTED5/PMA1/RB14 |
| 12 | SOSCO/RPA4/T1CK/CTED9/RA4 | 26 | AN9/C3INA/RPB15/SCK2/CTED6/PMCS1/RB15 |
| 13 | VDD | 27 | AVss |
| 14 | TMS/RPB5/USBID/RB5 | 28 | AVDD |

- Note**
- 1: The RPN pins can be used by remappable peripherals. See [Table 1](#) for the available peripherals and [12.3 "Peripheral Pin Select"](#) for restrictions.
 - 2: Every I/O port pin (RAX-RBx) can be used as a change notification pin (CNAX-CNBx). See [12.0 "I/O Ports"](#) for more information.
 - 3: Shaded pins are 5V tolerant.
 - 4: This is an input-only pin.

PIC32MX1XX/2XX 28/44-PIN XLP FAMILY

TABLE 7: PIN NAMES FOR 28-PIN GENERAL PURPOSE DEVICES WITH VBAT



| Pin # | Full Pin Name | Pin # | Full Pin Name |
|-------|---|-------|--|
| 1 | PGED2/AN2/C1IND/C2INB/C3IND/RPB0/RB0 | 15 | TDO/RPB9/SDA1/CTED4/PMD3/RB9 |
| 2 | PGEC2/AN3/C1INC/C2INA/LVDIN/RPB1/CTED12/RB1 | 16 | Vss |
| 3 | AN4/C1INB/C2IND/RPB2/SDA2/CTED13/RB2 | 17 | VCAP |
| 4 | AN5/C1INA/C2INC/RTCC/RPB3/SCL2/CTPLS/RB3 | 18 | PGED1/RPB10/CTED11/PMD2/RB10 |
| 5 | Vss | 19 | PGEC1/TMS/RPB11/PMD1/RB11 |
| 6 | OSC1/CLKI/RPA2/RA2 | 20 | AN12/PMD0/RB12 |
| 7 | OSC2/CLKO/RPA3/PMA0/RA3 | 21 | VBAT |
| 8 | SOSCI/RPB4/RB4 ⁽⁵⁾ | 22 | CVREFOUT/AN10/C3INB/RPB14/SCK1/CTED5/PMWR/RB14 |
| 9 | SOSCO/RPA4/T1CK/CTED9/RA4 | 23 | AN9/C3INA/RPB15/SCK2/CTED6/PMCS1/RB15 |
| 10 | VDD | 24 | AVSS |
| 11 | PGED3/RPB5/ASDA2/PMD7/RB5 | 25 | AVDD |
| 12 | PGEC3/RPB6/ASCL2/PMD6/RB6 | 26 | $\overline{\text{MCLR}}$ |
| 13 | TDI/RPB7/CTED3/PMD5/INT0/RB7 | 27 | VREF+/AN0/C3INC/RPA0ASDA1//CTED1/PMA1/RA0 |
| 14 | TCK/RPB8/SCL1/CTED10/PMD4/RB8 | 28 | VREF-/AN1/RPA1/ASCL1/CTED2/PMRD/RA1 |

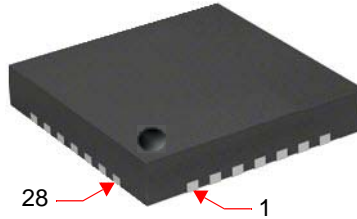
- Note**
- 1: The RPN pins can be used by remappable peripherals. See [Table 1](#) for the available peripherals and [12.3 "Peripheral Pin Select"](#) for restrictions.
 - 2: Every I/O port pin (RAX-RBx) can be used as a change notification pin (CNAX-CNBx). See [12.0 "I/O Ports"](#) for more information.
 - 3: The metal plane at the bottom of the device is not connected to any pins and is recommended to be connected to Vss externally.
 - 4: Shaded pins are 5V tolerant.
 - 5: This is an input-only pin.

PIC32MX1XX/2XX 28/44-PIN XLP FAMILY

TABLE 8: PIN NAMES FOR 28-PIN GENERAL PURPOSE DEVICES WITHOUT VBAT

28-PIN QFN (TOP VIEW)^(1,2,3,4)

PIC32MX154F128B
PIC32MX174F256B



| Pin # | Full Pin Name | Pin # | Full Pin Name |
|-------|---|-------|--|
| 1 | PGED2/AN2/C1IND/C2INB/C3IND/RPB0/RB0 | 15 | TDO/RPB9/SDA1/CTED4/PMD3/RB9 |
| 2 | PGEC2/AN3/C1INC/C2INA/LVDIN/RPB1/CTED12/RB1 | 16 | Vss |
| 3 | AN4/C1INB/C2IND/RPB2/SDA2/CTED13/RB2 | 17 | VCAP |
| 4 | AN5/C1INA/C2INC/RTCC/RPB3/SCL2/RB3 | 18 | PGED1/RPB10/CTED11/PMD2/RB10 |
| 5 | Vss | 19 | PGEC1/TMS/RPB11/PMD1/RB11 |
| 6 | OSC1/CLKI/RPA2/RA2 | 20 | AN12/PMD0/RB12 |
| 7 | OSC2/CLKO/RPA3/PMA0/RA3 | 21 | AN11/RPB13/CTPLS/PMRD/RB13 |
| 8 | SOSCI/RPB4/RB4 ⁽⁵⁾ | 22 | CVREFOUT/AN10/C3INB/RPB14/SCK1/CTED5/PMWR/RB14 |
| 9 | SOSCO/RPA4/T1CK/CTED9/RA4 | 23 | AN9/C3INA/RPB15/SCK2/CTED6/PMCS1/RB15 |
| 10 | VDD | 24 | AVSS |
| 11 | PGED3/RPB5/ASDA2/PMD7/RB5 | 25 | AVDD |
| 12 | PGEC3/RPB6/ASCL2/PMD6/RB6 | 26 | MCLR |
| 13 | TDI/RPB7/CTED3/PMD5/INT0/RB7 | 27 | VREF+/AN0/C3INC/RPA0/ASDA1/CTED1/PMA1/RA0 |
| 14 | TCK/RPB8/SCL1/CTED10/PMD4/RB8 | 28 | VREF-/AN1/RPA1/ASCL1/CTED2/RA1 |

- Note**
- 1: The RPN pins can be used by remappable peripherals. See [Table 1](#) for the available peripherals and [12.3 "Peripheral Pin Select"](#) for restrictions.
 - 2: Every I/O port pin (RAX-RBx) can be used as a change notification pin (CNAx-CNBx). See [12.0 "I/O Ports"](#) for more information.
 - 3: The metal plane at the bottom of the device is not connected to any pins and is recommended to be connected to Vss externally.
 - 4: Shaded pins are 5V tolerant.
 - 5: This is an input-only pin.

PIC32MX1XX/2XX 28/44-PIN XLP FAMILY

TABLE 9: PIN NAMES FOR 28-PIN USB DEVICES WITH VBAT



| Pin # | Full Pin Name | Pin # | Full Pin Name |
|-------|---|-------|---|
| 1 | PGED2/AN2/C1IND/C2INB/C3IND/RPB0/PMD0/RB0 | 15 | TDO/RPB9/SDA1/CTED4/PMD3/RB9 |
| 2 | PGEC2/AN3/C1INC/C2INA/LVDIN/RPB1/CTED12/PMD1/RB1 | 16 | Vss |
| 3 | PGED1/AN4/C1INB/C2IND/RPB2/SDA2/CTED13/PMD2/RB2 | 17 | VCAP |
| 4 | PGEC1/AN5/C1INA/C2INC/RTCC/RPB3/SCL2/CTPLS/PMWR/RB3 | 18 | D+ |
| 5 | Vss | 19 | D- |
| 6 | OSC1/CLKI/RPA2/RA2 | 20 | VUSB3V3 |
| 7 | OSC2/CLKO/RPA3/PMA0/RA3 | 21 | VBAT |
| 8 | SOSCI ¹ /RPB4/CTED11/RB4 ⁽⁵⁾ | 22 | CVREFOUT/AN10/C3INB/RPB14/SCK1/CTED5/PMA1/RB14 |
| 9 | SOSCO/RPA4/T1CK/CTED9/RA4 | 23 | AN9/C3INA/RPB15/SCK2/CTED6/PMCS1/RB15 |
| 10 | VDD | 24 | AVss |
| 11 | TMS/RPB5/USBID/PMRD/RB5 | 25 | AVDD |
| 12 | VBUS | 26 | <u>MCLR</u> |
| 13 | TDI/RPB7/CTED3/PMD5/INT0/RB7 | 27 | PGED3/VREF+/AN0/C3INC/RPA0/ASDA1/CTED1/PMD7/RA0 |
| 14 | TCK/RPB8/SCL1/CTED10/PMD4/RB8 | 28 | PGEC3/VREF-/AN1/RPA1/ASCL1/CTED2/PMD6/RA1 |

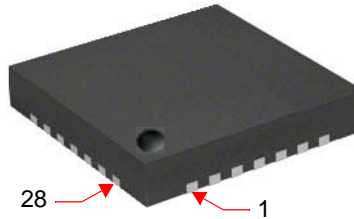
- Note**
- 1: The RPN pins can be used by remappable peripherals. See [Table 1](#) for the available peripherals and [12.3 "Peripheral Pin Select"](#) for restrictions.
 - 2: Every I/O port pin (RAX-RBx) can be used as a change notification pin (CNAx-CNBx). See [12.0 "I/O Ports"](#) for more information.
 - 3: The metal plane at the bottom of the device is not connected to any pins and is recommended to be connected to Vss externally.
 - 4: Shaded pins are 5V tolerant.
 - 5: This is an input-only pin.

PIC32MX1XX/2XX 28/44-PIN XLP FAMILY

TABLE 10: PIN NAMES FOR 28-PIN USB DEVICES WITHOUT VBAT

28-PIN QFN (TOP VIEW)^(1,2,3,4)

PIC32MX254F128B
PIC32MX274F256B



| Pin # | Full Pin Name | Pin # | Full Pin Name |
|-------|--|-------|---|
| 1 | PGED2/AN2/C1IND/C2INB/C3IND/RPB0/PMD0/RB0 | 15 | TDO/RPB9/SDA1/CTED4/PMD3/RB9 |
| 2 | PGEC2/AN3/C1INC/C2INA/LVDIN/RPB1/CTED12/PMD1/RB1 | 16 | Vss |
| 3 | PGED1/AN4/C1INB/C2IND/RPB2/SDA2/CTED13/PMD2/RB2 | 17 | VCAP |
| 4 | PGEC1/AN5/C1INA/C2INC/RTCC/RPB3/SCL2/PMWR/RB3 | 18 | D+ |
| 5 | Vss | 19 | D- |
| 6 | OSC1/CLKI/RPA2/RA2 | 20 | VUSB3V3 |
| 7 | OSC2/CLKO/RPA3/PMA0/RA3 | 21 | AN11/RPB13/CTPLS/PMRD/RB13 |
| 8 | SOSCI/RPB4/CTED11/RB4 ⁽⁵⁾ | 22 | CVREFOUT/AN10/C3INB/RPB14/SCK1/CTED5/PMA1/RB14 |
| 9 | SOSCO/RPA4/T1CK/CTED9/RA4 | 23 | AN9/C3INA/RPB15/SCK2/CTED6/PMCS1/RB15 |
| 10 | VDD | 24 | AVss |
| 11 | TMS/RPB5/USBID/RB5 | 25 | AVDD |
| 12 | VBUS | 26 | MCLR |
| 13 | TDI/RPB7/CTED3/PMD5/INT0/RB7 | 27 | PGED3/VREF+/AN0/C3INC/RPA0/ASDA1/CTED1/PMD7/RA0 |
| 14 | TCK/RPB8/SCL1/CTED10/PMD4/RB8 | 28 | PGEC3/VREF-/AN1/RPA1/ASCL1/CTED2/PMD6/RA1 |

- Note**
- 1: The RPN pins can be used by remappable peripherals. See [Table 1](#) for the available peripherals and [12.3 "Peripheral Pin Select"](#) for restrictions.
 - 2: Every I/O port pin (RAX-RBx) can be used as a change notification pin (CNAX-CNBx). See [12.0 "I/O Ports"](#) for more information.
 - 3: The metal plane at the bottom of the device is not connected to any pins and is recommended to be connected to Vss externally.
 - 4: Shaded pins are 5V tolerant.
 - 5: This is an input-only pin.

PIC32MX1XX/2XX 28/44-PIN XLP FAMILY

TABLE 11: PIN NAMES FOR 44-PIN GENERAL PURPOSE DEVICES WITH VBAT

44-PIN QFN AND TQFP (TOP VIEW)^(1,2,3,5)

PIC32MX155F128D
PIC32MX175F256D

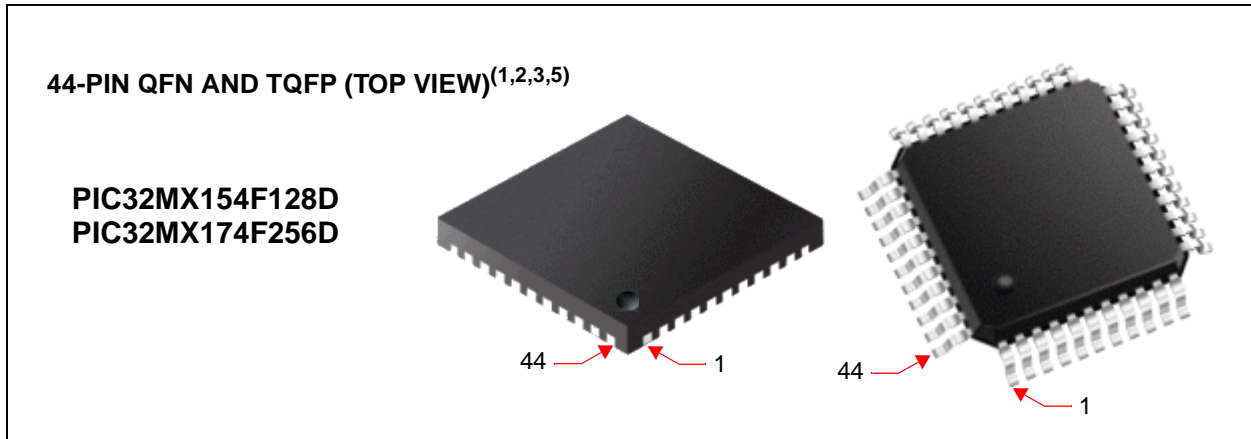


| Pin # | Full Pin Name | Pin # | Full Pin Name |
|-------|---|-------|---|
| 1 | RPB9/SDA1/CTED4/PMA7/RB9 | 23 | AN4/C1INB/C2IND/RPB2/SDA2/CTED13/RB2 |
| 2 | RPC6/PMA1/RC6 | 24 | AN5/C1INA/C2INC/RTCC/RPB3/SCL2/CTPLS/PMA2/RB3 |
| 3 | RPC7/PMCS1/RC7 | 25 | AN6/RPC0/RC0 |
| 4 | RPC8/PMD5/RC8 | 26 | AN7/RPC1/RC1 |
| 5 | RPC9/CTED7/PMD6/RC9 | 27 | AN8/RPC2/PMWR/RC2 |
| 6 | VSS | 28 | VDD |
| 7 | VCAP | 29 | VSS |
| 8 | PGED1/RPB10/CTED11/PMA8/RB10 | 30 | OSC1/CLKI/RPA2/RA2 |
| 9 | PGEC1/TMS/RPB11/PMA9/RB11 | 31 | OSC2/CLKO/RPA3/RA3 |
| 10 | AN12/PMD0/RB12 | 32 | TDO/RPA8/PMD2/RA8 |
| 11 | VBAT | 33 | SOSCI/RPB4/RB4 |
| 12 | PGED4/PMA10/RA10 | 34 | SOSCO/RPA4/T1CK/CTED9/RA4 |
| 13 | PGEC4/TCK/CTED8/PMD3/RA7 | 35 | TDI/RPA9/PMD1/RA9 |
| 14 | CVREFOUT/AN10/C3INB/RPB14/SCK1/CTED5/RB14 | 36 | RPC3/PMRD/RC3 |
| 15 | AN9/C3INA/RPB15/SCK2/CTED6/PMA0/RB15 | 37 | RPC4/PMD4/RC4 |
| 16 | AVSS | 38 | RPC5/PMD7/RC5 |
| 17 | AVDD | 39 | VSS |
| 18 | MCLR | 40 | VDD |
| 19 | VREF+/AN0/C3INC/RPA0/ASDA1/CTED1/RA0 | 41 | PGED3/RPB5/ASDA2/PMA3/RB5 |
| 20 | VREF-/AN1/RPA1/ASCL1/CTED2/RA1 | 42 | PGEC3/RPB6/ASCL2/PMA6/RB6 |
| 21 | PGED2/AN2/C1IND/C2INB/C3IND/RPB0/RB0 | 43 | RPB7/CTED3/PMA5/INT0/RB7 |
| 22 | PGEC2/AN3/C1INC/C2INA/LVDIN/RPB1/CTED12/RB1 | 44 | RPB8/SCL1/CTED10/PMA4/RB8 |

- Note**
- 1: The RPN pins can be used by remappable peripherals. See [Table 1](#) for the available peripherals and [12.3 "Peripheral Pin Select"](#) for restrictions.
 - 2: Every I/O port pin (RAX-RBx) can be used as a change notification pin (CNAX-CNBx). See [12.0 "I/O Ports"](#) for more information.
 - 3: The metal plane at the bottom of the device is not connected to any pins and is recommended to be connected to Vss externally.
 - 4: Shaded pins are 5V tolerant.

PIC32MX1XX/2XX 28/44-PIN XLP FAMILY

TABLE 12: PIN NAMES FOR 44-PIN GENERAL PURPOSE DEVICES WITHOUT VBAT

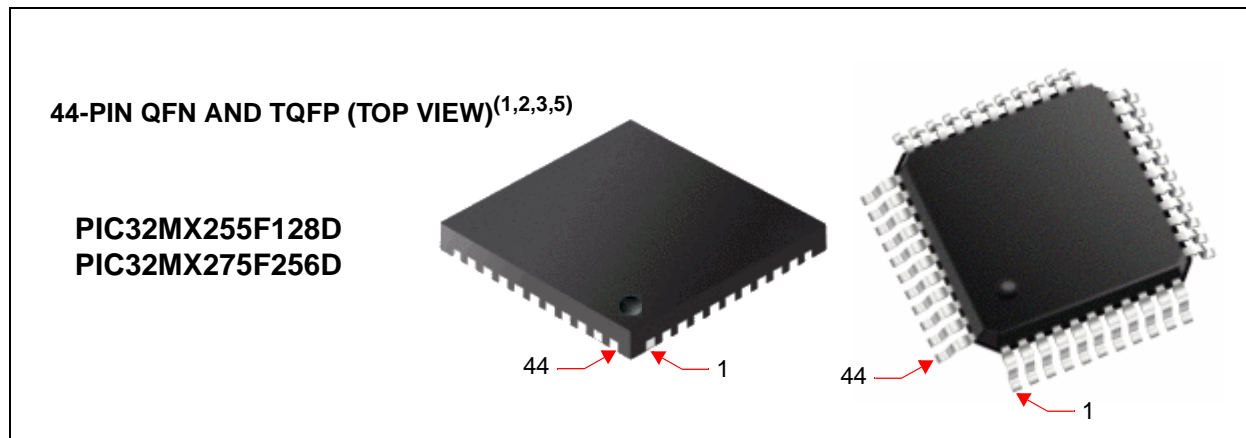


| Pin # | Full Pin Name | Pin # | Full Pin Name |
|-------|---|-------|---|
| 1 | RPB9/SDA1/CTED4/PMA7/RB9 | 23 | AN4/C1INB/C2IND/RPB2/SDA2/CTED13/RB2 |
| 2 | RPC6/PMA1/RC6 | 24 | AN5/C1INA/C2INC/RTCC/RPB3/SCL2/PMA2/RB3 |
| 3 | RPC7/PMCS1/RC7 | 25 | AN6/RPC0/RC0 |
| 4 | RPC8/PMD5/RC8 | 26 | AN7/RPC1/RC1 |
| 5 | RPC9/CTED7/PMD6/RC9 | 27 | AN8/RPC2/PMWR/RC2 |
| 6 | Vss | 28 | VDD |
| 7 | VCAP | 29 | Vss |
| 8 | PGED1/RPB10/CTED11/PMA8/RB10 | 30 | OSC1/CLKI/RPA2/RA2 |
| 9 | PGEC1/TMS/RPB11/PMA9/RB11 | 31 | OSC2/CLKO/RPA3/RA3 |
| 10 | AN12/PMD0/RB12 | 32 | TDO/RPA8/PMD2/RA8 |
| 11 | AN11/RPB13/CTPLS/PMRD/RB13 | 33 | SOSCI/RPB4/CTED11/RB4 |
| 12 | PGED4/PMA10/RA10 | 34 | SOSCO/RPA4/T1CK/RA4 |
| 13 | PGEC4/TCK/CTED8/PMD3/RA7 | 35 | TDI/RPA9/PMD1/RA9 |
| 14 | CVREFOUT/AN10/C3INB/RPB14/SCK1/CTED5/RB14 | 36 | RPC3/RC3 |
| 15 | AN9/C3INA/RPB15/SCK2/CTED6/PMA0/RB15 | 37 | RPC4/PMD4/RC4 |
| 16 | AVss | 38 | RPC5/PMD7/RC5 |
| 17 | AVDD | 39 | Vss |
| 18 | MCLR | 40 | VDD |
| 19 | VREF+/AN0/C3INC/RPA0/ASDA1/CTED1/RA0 | 41 | PGED3/RPB5/ASDA2/PMA3/RB5 |
| 20 | VREF-/AN1/RPA1/ASCL1/CTED2/RA1 | 42 | PGEC3/RPB6/ASCL2/PMA6/RB6 |
| 21 | PGED2/AN2/C1IND/C2INB/C3IND/RPB0/RB0 | 43 | RPB7/CTED3/PMA5/INT0/RB7 |
| 22 | PGEC2/AN3/C1INC/C2INA/LVDIN/RPB1/CTED12/RB1 | 44 | RPB8/SCL1/CTED10/PMA4/RB8 |

- Note**
- 1: The RPN pins can be used by remappable peripherals. See [Table 1](#) for the available peripherals and [12.3 "Peripheral Pin Select"](#) for restrictions.
 - 2: Every I/O port pin (RAX-RBx) can be used as a change notification pin (CNAX-CNBx). See [12.0 "I/O Ports"](#) for more information.
 - 3: The metal plane at the bottom of the device is not connected to any pins and is recommended to be connected to VSS externally.
 - 4: Shaded pins are 5V tolerant.

PIC32MX1XX/2XX 28/44-PIN XLP FAMILY

TABLE 13: PIN NAMES FOR 44-PIN USB DEVICES WITH VBAT



| Pin # | Full Pin Name | Pin # | Full Pin Name |
|-------|--|-------|---|
| 1 | RPB9/SDA1/CTED4/PMA7/RB9 | 23 | PGED1/AN4/C1INB/C2IND/RPB2/SDA2/CTED13/PMA8/RB2 |
| 2 | RPC6/PMA1/RC6 | 24 | PGEC1/AN5/C1INA/C2INC/RTCC/RPB3/SCL2/CTPLS/PMA2/RB3 |
| 3 | RPC7/PMCS1/RC7 | 25 | AN6/RPC0/RC0 |
| 4 | RPC8/PMD5/RC8 | 26 | AN7/RPC1/RC1 |
| 5 | RPC9/CTED7/PMD6/RC9 | 27 | AN8/RPC2/PMWR/RC2 |
| 6 | Vss | 28 | VDD |
| 7 | VCAP | 29 | Vss |
| 8 | D+ | 30 | OSC1/CLKI/RPA2/RA2 |
| 9 | D- | 31 | OSC2/CLKO/RPA3/RA3 |
| 10 | VUSB3V3 | 32 | TDO/RPA8/PMD2/RA8 |
| 11 | VBAT | 33 | SOSCI/RPB4/CTED11/RB4 |
| 12 | PGED4/PMD0/RA10 | 34 | SOSCO/RPA4/T1CK/CTED9/RA4 |
| 13 | PGEC4/TCK/CTED8/PMD3/RA7 | 35 | TDI/RPA9/PMD1/RA9 |
| 14 | CVREFOUT/AN10/C3INB/RPB14/SCK1/CTED5/RB14 | 36 | AN12/RPC3/PMRD/RC3 |
| 15 | AN9/C3INA/RPB15/SCK2/CTED6/PMA0/RB15 | 37 | RPC4/PMD4/RC4 |
| 16 | AVss | 38 | RPC5/PMD7/RC5 |
| 17 | AVDD | 39 | Vss |
| 18 | MCLR | 40 | VDD |
| 19 | PGED3/VREF+/AN0/C3INC/RPA0/ASDA1/CTED1/PMA3/RA0 | 41 | TMS/RPB5/USBID/RB5 |
| 20 | PGEC3/VREF-/AN1/RPA1/ASCL1/CTED2/PMA6/RA1 | 42 | VBUS |
| 21 | PGED2/AN2/C1IND/C2INB/C3IND/RPB0/PMA10/RB0 | 43 | RPB7/CTED3/PMA5/INT0/RB7 |
| 22 | PGEC2/AN3/C1INC/C2INA/LVDIN/RPB1/CTED12/PMA9/RB1 | 44 | RPB8/SCL1/CTED10/PMA4/RB8 |

- Note**
- 1: The RPh pins can be used by remappable peripherals. See Table 1 for the available peripherals and 12.3 "Peripheral Pin Select" for restrictions.
 - 2: Every I/O port pin (RAx-RBx) can be used as a change notification pin (CNAx-CNBx). See 12.0 "I/O Ports" for more information.
 - 3: The metal plane at the bottom of the device is not connected to any pins and is recommended to be connected to Vss externally.
 - 4: Shaded pins are 5V tolerant.

PIC32MX1XX/2XX 28/44-PIN XLP FAMILY

TABLE 14: PIN NAMES FOR 44-PIN USB DEVICES WITHOUT VBAT



| Pin # | Full Pin Name | Pin # | Full Pin Name |
|-------|--|-------|---|
| 1 | RPB9/SDA1/CTED4/PMA7/RB9 | 23 | PGED1/AN4/C1INB/C2IND/RPB2/SDA2/CTED13/PMA8/RB2 |
| 2 | RPC6/PMA1/RC6 | 24 | PGEC1/AN5/C1INA/C2INC/RTCC/RPB3/SCL2/PMA2/RB3 |
| 3 | RPC7/PMCS1/RC7 | 25 | AN6/RPC0/RC0 |
| 4 | RPC8/PMD5/RC8 | 26 | AN7/RPC1/RC1 |
| 5 | RPC9/CTED7/PMD6/RC9 | 27 | AN8/RPC2/PMWR/RC2 |
| 6 | Vss | 28 | VDD |
| 7 | VCAP | 29 | Vss |
| 8 | D+ | 30 | OSC1/CLKI/RPA2/RA2 |
| 9 | D- | 31 | OSC2/CLKO/RPA3/RA3 |
| 10 | VUSB3v3 | 32 | TDO/RPA8/PMD2/RA8 |
| 11 | AN11/RPB13/CTPLS/PMRD/RB13 | 33 | SOSCI/RPB4/CTED11/RB4 |
| 12 | PGED4/PMD0/RA10 | 34 | SOSCO/RPA4/T1CK/RA4 |
| 13 | PGEC4/TCK/CTED8/PMD3/RA7 | 35 | TDI/RPA9/PMD1/RA9 |
| 14 | CVREFOUT/AN10/C3INB/RPB14/SCK1/CTED5/RB14 | 36 | AN12/RPC3/RC3 |
| 15 | AN9/C3INA/RPB15/SCK2/CTED6/PMA0/RB15 | 37 | RPC4/PMD4/RC4 |
| 16 | AVss | 38 | RPC5/PMD7/RC5 |
| 17 | AVDD | 39 | Vss |
| 18 | MCLR | 40 | VDD |
| 19 | PGED3/VREF+/AN0/C3INC/RPA0/ASDA1/CTED1/PMA3/RA0 | 41 | TMS/RPB5/USBID/RB5 |
| 20 | PGEC3/VREF-/AN1/RPA1/ASCL1/CTED2/PMA6/RA1 | 42 | VBUS |
| 21 | PGED2/AN2/C1IND/C2INB/C3IND/RPB0/PMA10/RB0 | 43 | RPB7/CTED3/PMA5/INT0/RB7 |
| 22 | PGEC2/AN3/C1INC/C2INA/LVDIN/RPB1/CTED12/PMA9/RB1 | 44 | RPB8/SCL1/CTED10/PMA4/RB8 |

- Note**
- 1: The RPN pins can be used by remappable peripherals. See [Table 1](#) for the available peripherals and [12.3 "Peripheral Pin Select"](#) for restrictions.
 - 2: Every I/O port pin (RAX-RBx) can be used as a change notification pin (CNAx-CNBx). See [12.0 "I/O Ports"](#) for more information.
 - 3: The metal plane at the bottom of the device is not connected to any pins and is recommended to be connected to Vss externally.
 - 4: Shaded pins are 5V tolerant.

PIC32MX1XX/2XX 28/44-PIN XLP FAMILY

Table of Contents

| | | |
|------|--|-----|
| 1.0 | Device Overview | 19 |
| 2.0 | Guidelines for Getting Started with 32-bit MCUs..... | 33 |
| 3.0 | CPU | 39 |
| 4.0 | Memory Organization | 43 |
| 5.0 | Flash Program Memory..... | 55 |
| 6.0 | Resets | 61 |
| 7.0 | Interrupt Controller | 69 |
| 8.0 | Oscillator Configuration | 79 |
| 9.0 | Direct Memory Access (DMA) Controller | 93 |
| 10.0 | Prefetch Cache..... | 113 |
| 11.0 | USB On-The-Go (OTG)..... | 123 |
| 12.0 | I/O Ports | 147 |
| 13.0 | Timer1 | 163 |
| 14.0 | Timer2/3, Timer4/5 | 167 |
| 15.0 | Watchdog Timer (WDT) | 173 |
| 16.0 | Deep Sleep Watchdog Timer (DSWDT)..... | 177 |
| 17.0 | Input Capture..... | 179 |
| 18.0 | Output Compare | 183 |
| 19.0 | Serial Peripheral Interface (SPI)..... | 187 |
| 20.0 | Inter-Integrated Circuit (I ² C) | 195 |
| 21.0 | Universal Asynchronous Receiver Transmitter (UART) | 203 |
| 22.0 | Parallel Master Port (PMP)..... | 211 |
| 23.0 | Real-Time Clock and Calendar (RTCC)..... | 223 |
| 24.0 | 10-bit Analog-to-Digital Converter (ADC) | 233 |
| 25.0 | Comparator | 245 |
| 26.0 | Comparator Voltage Reference (CVREF) | 249 |
| 27.0 | High/Low-Voltage Detect (HLVD)..... | 253 |
| 28.0 | Charge Time Measurement Unit (CTMU) | 257 |
| 29.0 | Power-Saving Features | 263 |
| 30.0 | Special Features | 277 |
| 31.0 | Instruction Set | 291 |
| 32.0 | Development Support..... | 293 |
| 33.0 | Electrical Characteristics | 297 |
| 34.0 | DC and AC Device Characteristics Graphs..... | 341 |
| 35.0 | Packaging Information..... | 345 |
| | The Microchip Web Site | 361 |
| | Customer Change Notification Service | 361 |
| | Customer Support | 361 |
| | Product Identification System | 362 |

PIC32MX1XX/2XX 28/44-PIN XLP FAMILY

TO OUR VALUED CUSTOMERS

It is our intention to provide our valued customers with the best documentation possible to ensure successful use of your Microchip products. To this end, we will continue to improve our publications to better suit your needs. Our publications will be refined and enhanced as new volumes and updates are introduced.

If you have any questions or comments regarding this publication, please contact the Marketing Communications Department via E-mail at docerrors@microchip.com. We welcome your feedback.

Most Current Data Sheet

To obtain the most up-to-date version of this data sheet, please register at our Worldwide Web site at:

<http://www.microchip.com>

You can determine the version of a data sheet by examining its literature number found on the bottom outside corner of any page. The last character of the literature number is the version number, (e.g., DS30000000A is version A of document DS30000000).

Errata

An errata sheet, describing minor operational differences from the data sheet and recommended workarounds, may exist for current devices. As device/documentation issues become known to us, we will publish an errata sheet. The errata will specify the revision of silicon and revision of document to which it applies.

To determine if an errata sheet exists for a particular device, please check with one of the following:

- Microchip's Worldwide Web site; <http://www.microchip.com>
- Your local Microchip sales office (see last page)

When contacting a sales office, please specify which device, revision of silicon and data sheet (include literature number) you are using.

Customer Notification System

Register on our web site at www.microchip.com to receive the most current information on all of our products.

PIC32MX1XX/2XX 28/44-PIN XLP FAMILY

Referenced Sources

This device data sheet is based on the following individual chapters of the “PIC32 Family Reference Manual”. These documents should be considered as the general reference for the operation of a particular module or device feature.

Note: To access the following documents, refer to the *Documentation > Reference Manuals* section of the Microchip PIC32 website: <http://www.microchip.com/pic32>

- **Section 1. “Introduction”** (DS60001127)
- **Section 2. “CPU”** (DS60001113)
- **Section 3. “Memory Organization”** (DS60001115)
- **Section 4. “Prefetch Cache”** (DS60001119)
- **Section 5. “Flash Program Memory”** (DS60001121)
- **Section 6. “Oscillator Configuration”** (DS60001112)
- **Section 7. “Resets”** (DS60001118)
- **Section 8. “Interrupt Controller”** (DS60001108)
- **Section 9. “Watchdog Timer and Power-up Timer”** (DS60001114)
- **Section 10. “Power-Saving Features”** (DS60001130)
- **Section 12. “I/O Ports”** (DS60001120)
- **Section 13. “Parallel Master Port (PMP)”** (DS60001128)
- **Section 14. “Timers”** (DS60001105)
- **Section 15. “Input Capture”** (DS60001122)
- **Section 16. “Output Compare”** (DS60001111)
- **Section 17. “10-bit Analog-to-Digital Converter (ADC)”** (DS60001104)
- **Section 19. “Comparator”** (DS60001110)
- **Section 20. “Comparator Voltage Reference (C_{VREF})”** (DS60001109)
- **Section 21. “Universal Asynchronous Receiver Transmitter (UART)”** (DS60001107)
- **Section 23. “Serial Peripheral Interface (SPI)”** (DS60001106)
- **Section 24. “Inter-Integrated Circuit (I²C)”** (DS60001116)
- **Section 27. “USB On-The-Go (OTG)”** (DS60001126)
- **Section 29. “Real-Time Clock and Calendar (RTCC)”** (DS60001125)
- **Section 31. “Direct Memory Access (DMA) Controller”** (DS60001117)
- **Section 32. “Configuration”** (DS60001124)
- **Section 33. “Programming and Diagnostics”** (DS60001129)
- **Section 37. “Charge Time Measurement Unit (CTMU)”** (DS60001167)
- **Section 38. “High/Low Voltage Detect (HLVD)”** (*DS number pending*)

PIC32MX1XX/2XX 28/44-PIN XLP FAMILY

NOTES:

PIC32MX1XX/2XX 28/44-PIN XLP FAMILY

1.0 DEVICE OVERVIEW

Note: This data sheet summarizes the features of the PIC32MX1XX/2XX 28/44-pin XLP Family of devices. It is not intended to be a comprehensive reference source. To complement the information in this data sheet, refer to documents listed in the *Documentation > Reference Manual* section of the Microchip PIC32 web site (www.microchip.com/pic32).

This document contains device-specific information for PIC32MX1XX/2XX 28/44-pin XLP Family devices.

Figure 1-1 illustrates a general block diagram of the core and peripheral modules in the PIC32MX1XX/2XX 28/44-pin XLP Family of devices.

Table 1-1 through Table 1-16 list the functions of the various pins shown in the pinout diagrams.

FIGURE 1-1: BLOCK DIAGRAM



PIC32MX1XX/2XX 28/44-PIN XLP FAMILY

TABLE 1-1: ADC PINOUT I/O DESCRIPTIONS

| Pin Name | Pin Number ⁽¹⁾ | | | Pin Type | Buffer Type | Description |
|------------------------------------|---------------------------|-------------------|-----------------|----------|-------------|------------------------|
| | 28-pin QFN | 28-pin SOIC | 44-pin QFN/TQFP | | | |
| Analog-to-Digital Converter | | | | | | |
| AN0 | 27 | 2 | 19 | I | Analog | Analog input channels. |
| AN1 | 28 | 3 | 20 | I | Analog | |
| AN2 | 1 | 4 | 21 | I | Analog | |
| AN3 | 2 | 5 | 22 | I | Analog | |
| AN4 | 3 | 6 | 23 | I | Analog | |
| AN5 | 4 | 7 | 24 | I | Analog | |
| AN6 | — | — | 25 | I | Analog | |
| AN7 | — | — | 26 | I | Analog | |
| AN8 | — | — | 27 | I | Analog | |
| AN9 | 23 | 26 | 15 | I | Analog | |
| AN10 | 22 | 25 | 14 | I | Analog | |
| AN11 ⁽³⁾ | 21 | 24 | 11 | I | Analog | |
| AN12 | 20 ⁽²⁾ | 23 ⁽²⁾ | 10 | I | Analog | |

Legend: CMOS = CMOS compatible input or output Analog = Analog input P = Power
 ST = Schmitt Trigger input with CMOS levels O = Output I = Input
 TTL = TTL input buffer PPS = Peripheral Pin Select — = N/A

- Note 1:** Pin numbers are provided for reference only. See the “Pin Diagrams” section for device pin availability.
2: Pin number for General Purpose devices only.
3: This pin is not available on VBAT devices.

PIC32MX1XX/2XX 28/44-PIN XLP FAMILY

TABLE 1-2: OSCILLATOR PINOUT I/O DESCRIPTIONS

| Pin Name | Pin Number ⁽¹⁾ | | | Pin Type | Buffer Type | Description |
|--------------------|---------------------------|-------------|-----------------|----------|-------------|--|
| | 28-pin QFN | 28-pin SOIC | 44-pin QFN/TQFP | | | |
| Oscillators | | | | | | |
| CLKI | 6 | 9 | 30 | I | ST/CMOS | External clock source input. Always associated with OSC1 pin function. |
| CLKO | 7 | 10 | 31 | O | — | Oscillator crystal output. Connects to crystal or resonator in Crystal Oscillator mode. Optionally functions as CLKO in RC and EC modes. Always associated with OSC2 pin function. |
| OSC1 | 6 | 9 | 30 | I | ST/CMOS | Oscillator crystal input. ST buffer when configured in RC mode; CMOS otherwise. |
| OSC2 | 7 | 10 | 31 | O | — | Oscillator crystal output. Connects to crystal or resonator in Crystal Oscillator mode. Optionally functions as CLKO in RC and EC modes. |
| SOSCI | 8 | 11 | 33 | I | ST/CMOS | 32.768 kHz low-power oscillator crystal input; CMOS otherwise. |
| SOSCO | 9 | 12 | 34 | O | — | 32.768 kHz low-power oscillator crystal output. |
| REFCLKI | PPS | PPS | PPS | I | ST | Reference Input Clock |
| REFCLKO | PPS | PPS | PPS | O | — | Reference Output Clock |

Legend: CMOS = CMOS compatible input or output
 ST = Schmitt Trigger input with CMOS levels
 TTL = TTL input buffer
 Analog = Analog input
 O = Output
 PPS = Peripheral Pin Select
 P = Power
 I = Input
 — = N/A

Note 1: Pin numbers are provided for reference only. See the “[Pin Diagrams](#)” section for device pin availability.

TABLE 1-3: IC1 THROUGH IC5 PINOUT I/O DESCRIPTIONS

| Pin Name | Pin Number ⁽¹⁾ | | | Pin Type | Buffer Type | Description |
|----------------------|---------------------------|-------------|-----------------|----------|-------------|-------------------------|
| | 28-pin QFN | 28-pin SOIC | 44-pin QFN/TQFP | | | |
| Input Capture | | | | | | |
| IC1 | PPS | PPS | PPS | I | ST | Input Capture Input 1-5 |
| IC2 | PPS | PPS | PPS | I | ST | |
| IC3 | PPS | PPS | PPS | I | ST | |
| IC4 | PPS | PPS | PPS | I | ST | |
| IC5 | PPS | PPS | PPS | I | ST | |

Legend: CMOS = CMOS compatible input or output
 ST = Schmitt Trigger input with CMOS levels
 TTL = TTL input buffer
 Analog = Analog input
 O = Output
 PPS = Peripheral Pin Select
 P = Power
 I = Input
 — = N/A

Note 1: Pin numbers are provided for reference only. See the “[Pin Diagrams](#)” section for device pin availability.

PIC32MX1XX/2XX 28/44-PIN XLP FAMILY

TABLE 1-4: OC1 THROUGH OC5 PINOUT I/O DESCRIPTIONS

| Pin Name | Pin Number ⁽¹⁾ | | | Pin Type | Buffer Type | Description |
|-----------------------|---------------------------|-------------|-----------------|----------|-------------|------------------------------|
| | 28-pin QFN | 28-pin SOIC | 44-pin QFN/TQFP | | | |
| Output Compare | | | | | | |
| OC1 | PPS | PPS | PPS | O | — | Output Compare Output 1-5 |
| OC2 | PPS | PPS | PPS | O | — | |
| OC3 | PPS | PPS | PPS | O | — | |
| OC4 | PPS | PPS | PPS | O | — | |
| OC5 | PPS | PPS | PPS | O | — | |
| OCFA | PPS | PPS | PPS | I | ST | Output Compare Fault A Input |
| OCFB | PPS | PPS | PPS | I | ST | Output Compare Fault B Input |

Legend: CMOS = CMOS compatible input or output Analog = Analog input P = Power
 ST = Schmitt Trigger input with CMOS levels O = Output I = Input
 TTL = TTL input buffer PPS = Peripheral Pin Select — = N/A

Note 1: Pin numbers are provided for reference only. See the “[Pin Diagrams](#)” section for device pin availability.

TABLE 1-5: EXTERNAL INTERRUPTS PINOUT I/O DESCRIPTIONS

| Pin Name | Pin Number ⁽¹⁾ | | | Pin Type | Buffer Type | Description |
|----------------------------|---------------------------|-------------|-----------------|----------|-------------|------------------------|
| | 28-pin QFN | 28-pin SOIC | 44-pin QFN/TQFP | | | |
| External Interrupts | | | | | | |
| INT0 | 13 | 16 | 43 | I | ST | External Interrupt 0-4 |
| INT1 | PPS | PPS | PPS | I | ST | |
| INT2 | PPS | PPS | PPS | I | ST | |
| INT3 | PPS | PPS | PPS | I | ST | |
| INT4 | PPS | PPS | PPS | I | ST | |

Legend: CMOS = CMOS compatible input or output Analog = Analog input P = Power
 ST = Schmitt Trigger input with CMOS levels O = Output I = Input
 TTL = TTL input buffer PPS = Peripheral Pin Select — = N/A

Note 1: Pin numbers are provided for reference only. See the “[Pin Diagrams](#)” section for device pin availability.

PIC32MX1XX/2XX 28/44-PIN XLP FAMILY

TABLE 1-6: PORTA THROUGH PORTC PINOUT I/O DESCRIPTIONS

| Pin Name | Pin Number ⁽¹⁾ | | | Pin Type | Buffer Type | Description |
|---------------|---------------------------|-------------------|-------------------|----------|-------------|-----------------------------------|
| | 28-pin QFN | 28-pin SOIC | 44-pin QFN/TQFP | | | |
| PORT A | | | | | | |
| RA0 | 27 | 2 | 19 | I/O | ST | PORTA is a bidirectional I/O port |
| RA1 | 28 | 3 | 20 | I/O | ST | |
| RA2 | 6 | 9 | 30 | I/O | ST | |
| RA3 | 7 | 10 | 31 | I/O | ST | |
| RA4 | 9 | 12 | 34 | I/O | ST | |
| RA7 | — | — | 13 | I/O | ST | |
| RA8 | — | — | 32 | I/O | ST | |
| RA9 | — | — | 35 | I/O | ST | |
| RA10 | — | — | 12 | I/O | ST | |
| PORTB | | | | | | |
| RB0 | 1 | 4 | 21 | I/O | ST | PORTB is a bidirectional I/O port |
| RB1 | 2 | 5 | 22 | I/O | ST | |
| RB2 | 3 | 6 | 23 | I/O | ST | |
| RB3 | 4 | 7 | 24 | I/O | ST | |
| RB4 | 8 | 11 | 33 | I/O | ST | |
| RB5 | 11 | 14 | 41 | I/O | ST | |
| RB6 | 12 ⁽²⁾ | 15 ⁽²⁾ | 42 ⁽⁴⁾ | I/O | ST | |
| RB7 | 13 | 16 | 43 | I/O | ST | |
| RB8 | 14 | 17 | 44 | I/O | ST | |
| RB9 | 15 | 18 | 1 | I/O | ST | |
| RB10 | 18 ⁽⁴⁾ | 21 ⁽⁴⁾ | 8 ⁽⁴⁾ | I/O | ST | |
| RB11 | 19 ⁽⁴⁾ | 22 ⁽⁴⁾ | 9 ⁽⁴⁾ | I/O | ST | |
| RB12 | 20 ⁽⁴⁾ | 23 ⁽⁴⁾ | 10 ⁽⁴⁾ | I/O | ST | |
| RB13 | 21 ⁽³⁾ | 24 ⁽³⁾ | 11 ⁽³⁾ | I/O | ST | |
| RB14 | 22 | 25 | 14 | I/O | ST | |
| RB15 | 23 | 26 | 15 | I/O | ST | |

Legend: CMOS = CMOS compatible input or output
 ST = Schmitt Trigger input with CMOS levels
 TTL = TTL input buffer

Analog = Analog input
 O = Output
 PPS = Peripheral Pin Select

P = Power
 I = Input
 — = N/A

- Note 1:** Pin numbers are provided for reference only. See the “[Pin Diagrams](#)” section for device pin availability.
2: Pin number for General Purpose devices only.
3: This pin is not available for devices with VBAT.
4: This pin is not available for devices with USB.

PIC32MX1XX/2XX 28/44-PIN XLP FAMILY

TABLE 1-6: PORTA THROUGH PORTC PINOUT I/O DESCRIPTIONS (CONTINUED)

| Pin Name | Pin Number ⁽¹⁾ | | | Pin Type | Buffer Type | Description |
|--------------|---------------------------|-------------|-----------------|----------|-------------|-----------------------------------|
| | 28-pin QFN | 28-pin SOIC | 44-pin QFN/TQFP | | | |
| PORTC | | | | | | |
| RC0 | — | — | 25 | I/O | ST | PORTC is a bidirectional I/O port |
| RC1 | — | — | 26 | I/O | ST | |
| RC2 | — | — | 27 | I/O | ST | |
| RC3 | — | — | 36 | I/O | ST | |
| RC4 | — | — | 37 | I/O | ST | |
| RC5 | — | — | 38 | I/O | ST | |
| RC6 | — | — | 2 | I/O | ST | |
| RC7 | — | — | 3 | I/O | ST | |
| RC8 | — | — | 4 | I/O | ST | |
| RC9 | — | — | 5 | I/O | ST | |

Legend: CMOS = CMOS compatible input or output Analog = Analog input P = Power
 ST = Schmitt Trigger input with CMOS levels O = Output I = Input
 TTL = TTL input buffer PPS = Peripheral Pin Select — = N/A

- Note 1:** Pin numbers are provided for reference only. See the “[Pin Diagrams](#)” section for device pin availability.
2: Pin number for General Purpose devices only.
3: This pin is not available for devices with VBAT.
4: This pin is not available for devices with USB.

PIC32MX1XX/2XX 28/44-PIN XLP FAMILY

TABLE 1-7: TIMER1 THROUGH TIMER5 AND RTCC PINOUT I/O DESCRIPTIONS

| Pin Name | Pin Number ⁽¹⁾ | | | Pin Type | Buffer Type | Description |
|-------------------------------------|---------------------------|-------------|-----------------|----------|-------------|-------------------------------|
| | 28-pin QFN | 28-pin SOIC | 44-pin QFN/TQFP | | | |
| Timer1 through Timer5 | | | | | | |
| T1CK | 9 | 12 | 34 | I | ST | Timer1-5 External Clock Input |
| T2CK | PPS | PPS | PPS | I | ST | |
| T3CK | PPS | PPS | PPS | I | ST | |
| T4CK | PPS | PPS | PPS | I | ST | |
| T5CK | PPS | PPS | PPS | I | ST | |
| Real-Time Clock and Calendar | | | | | | |
| RTCC | 4 | 7 | 24 | O | ST | Real-Time Clock Alarm Output |

Legend: CMOS = CMOS compatible input or output Analog = Analog input P = Power
 ST = Schmitt Trigger input with CMOS levels O = Output I = Input
 TTL = TTL input buffer PPS = Peripheral Pin Select — = N/A

Note 1: Pin numbers are provided for reference only. See the “[Pin Diagrams](#)” section for device pin availability.

TABLE 1-8: UART1 AND UART2 PINOUT I/O DESCRIPTIONS

| Pin Name | Pin Number ⁽¹⁾ | | | Pin Type | Buffer Type | Description |
|--|---------------------------|-------------|-----------------|----------|-------------|---------------------|
| | 28-pin QFN | 28-pin SOIC | 44-pin QFN/TQFP | | | |
| Universal Asynchronous Receiver Transmitter 2 | | | | | | |
| $\overline{U1CTS}$ | PPS | PPS | PPS | I | ST | UART1 Clear to Send |
| $\overline{U1RTS}$ | PPS | PPS | PPS | O | — | UART1 Ready to Send |
| U1RX | PPS | PPS | PPS | I | ST | UART1 Receive |
| U1TX | PPS | PPS | PPS | O | — | UART1 Transmit |
| Universal Asynchronous Receiver Transmitter 2 | | | | | | |
| $\overline{U2CTS}$ | PPS | PPS | PPS | I | ST | UART2 Clear to Send |
| $\overline{U2RTS}$ | PPS | PPS | PPS | O | — | UART2 Ready to Send |
| U2RX | PPS | PPS | PPS | I | ST | UART2 Receive |
| U2TX | PPS | PPS | PPS | O | — | UART2 Transmit |

Legend: CMOS = CMOS compatible input or output Analog = Analog input P = Power
 ST = Schmitt Trigger input with CMOS levels O = Output I = Input
 TTL = TTL input buffer PPS = Peripheral Pin Select — = N/A

Note 1: Pin numbers are provided for reference only. See the “[Pin Diagrams](#)” section for device pin availability.

PIC32MX1XX/2XX 28/44-PIN XLP FAMILY

TABLE 1-9: SPI1 AND SPI2 PINOUT I/O DESCRIPTIONS

| Pin Name | Pin Number ⁽¹⁾ | | | Pin Type | Buffer Type | Description |
|--------------------------------------|---------------------------|-------------|-----------------|----------|-------------|--|
| | 28-pin QFN | 28-pin SOIC | 44-pin QFN/TQFP | | | |
| Serial Peripheral Interface 1 | | | | | | |
| SCK1 | 22 | 25 | 14 | I/O | ST | Synchronous Serial Clock Input/Output for SPI1 |
| SDI1 | PPS | PPS | PPS | I | ST | SPI1 Data In |
| SDO1 | PPS | PPS | PPS | O | — | SPI1 Data Out |
| SS1 | PPS | PPS | PPS | I/O | ST | SPI1 Slave Synchronization or Frame Pulse I/O |
| Serial Peripheral Interface 2 | | | | | | |
| SCK2 | 23 | 26 | 15 | I/O | ST | Synchronous Serial Clock Input/Output for SPI2 |
| SDI2 | PPS | PPS | PPS | I | ST | SPI2 Data In |
| SDO2 | PPS | PPS | PPS | O | — | SPI2 Data Out |
| SS2 | PPS | PPS | PPS | I/O | ST | SPI2 Slave Synchronization or Frame Pulse I/O |

Legend: CMOS = CMOS compatible input or output Analog = Analog input P = Power
 ST = Schmitt Trigger input with CMOS levels O = Output I = Input
 TTL = TTL input buffer PPS = Peripheral Pin Select — = N/A

Note 1: Pin numbers are provided for reference only. See the “[Pin Diagrams](#)” section for device pin availability.

TABLE 1-10: I2C1 AND I2C2 PINOUT I/O DESCRIPTIONS

| Pin Name | Pin Number ⁽¹⁾ | | | Pin Type | Buffer Type | Description |
|-----------------------------------|---------------------------|-------------------|-------------------|----------|-------------|--|
| | 28-pin QFN | 28-pin SOIC | 44-pin QFN/TQFP | | | |
| Inter-Integrated Circuit 1 | | | | | | |
| SCL1 | 14 | 17 | 44 | I/O | ST | Synchronous Serial Clock Input/Output for I2C1 |
| SDA1 | 15 | 18 | 1 | I/O | ST | Synchronous Serial Data Input/Output for I2C1 |
| ASCL1 | 28 | 3 | 20 | I/O | ST | Alternative Synchronous Serial Clock Input/Output for I2C1 |
| ASDA1 | 27 | 2 | 19 | I/O | ST | Alternative Synchronous Serial Data Input/Output for I2C1 |
| Inter-Integrated Circuit 2 | | | | | | |
| SCL2 | 4 | 7 | 24 | I/O | ST | Synchronous Serial Clock Input/Output for I2C2 |
| SDA2 | 3 | 6 | 23 | I/O | ST | Synchronous Serial Data Input/Output for I2C2 |
| ASCL2 | 12 ⁽²⁾ | 15 ⁽²⁾ | 42 ⁽²⁾ | I/O | ST | Alternative Synchronous Serial Clock Input/Output for I2C2 |
| ASDA2 | 11 ⁽²⁾ | 14 ⁽²⁾ | 41 ⁽²⁾ | I/O | ST | Alternative Synchronous Serial Data Input/Output for I2C2 |

Legend: CMOS = CMOS compatible input or output Analog = Analog input P = Power
 ST = Schmitt Trigger input with CMOS levels O = Output I = Input
 TTL = TTL input buffer PPS = Peripheral Pin Select — = N/A

Note 1: Pin numbers are provided for reference only. See the “[Pin Diagrams](#)” section for device pin availability.

2: This pin is not available for devices with USB.

PIC32MX1XX/2XX 28/44-PIN XLP FAMILY

TABLE 1-11: COMPARATOR 1, COMPARATOR 2, AND COMPARATOR VOLTAGE REFERENCE PINOUT I/O DESCRIPTIONS

| Pin Name | Pin Number ⁽¹⁾ | | | Pin Type | Buffer Type | Description |
|-------------------------------------|---------------------------|-------------|-----------------|----------|-------------|--|
| | 28-pin QFN | 28-pin SOIC | 44-pin QFN/TQFP | | | |
| Comparator Voltage Reference | | | | | | |
| VREF- | 28 | 3 | 20 | I | Analog | Comparator Voltage Reference (Low) |
| VREF+ | 27 | 2 | 19 | I | Analog | Comparator Voltage Reference (High) |
| CVREFOUT | 22 | 25 | 14 | O | Analog | Comparator Voltage Reference Output |
| Comparator 1 | | | | | | |
| C1INA | 4 | 7 | 24 | I | Analog | Comparator 1 Positive Input |
| C1INB | 3 | 6 | 23 | I | Analog | Comparator 1 Selectable Negative Input |
| C1INC | 2 | 5 | 22 | I | Analog | |
| C1IND | 1 | 4 | 21 | I | Analog | |
| C1OUT | PPS | PPS | PPS | O | — | Comparator 1 Output |
| Comparator 2 | | | | | | |
| C2INA | 2 | 5 | 22 | I | Analog | Comparator 2 Positive Input |
| C2INB | 1 | 4 | 21 | I | Analog | Comparator 2 Selectable Negative Input |
| C2INC | 4 | 7 | 24 | I | Analog | |
| C2IND | 3 | 6 | 23 | I | Analog | |
| C2OUT | PPS | PPS | PPS | O | — | Comparator 2 Output |
| Comparator 3 | | | | | | |
| C3INA | 23 | 26 | 15 | I | Analog | Comparator 3 Positive Input |
| C3INB | 22 | 25 | 14 | I | Analog | Comparator 3 Selectable Negative Input |
| C3INC | 27 | 2 | 19 | I | Analog | |
| C3IND | 1 | 4 | 21 | I | Analog | |
| C3OUT | PPS | PPS | PPS | O | — | Comparator 3 Output |

Legend: CMOS = CMOS compatible input or output Analog = Analog input P = Power
 ST = Schmitt Trigger input with CMOS levels O = Output I = Input
 TTL = TTL input buffer PPS = Peripheral Pin Select — = N/A

Note 1: Pin numbers are provided for reference only. See the “[Pin Diagrams](#)” section for device pin availability.

PIC32MX1XX/2XX 28/44-PIN XLP FAMILY

TABLE 1-12: PARALLEL MASTER PORT PINOUT I/O DESCRIPTIONS

| Pin Name | Pin Number ⁽¹⁾ | | | Pin Type | Buffer Type | Description |
|-----------------------------|---------------------------|---------------------|-------------------|----------|-------------|--|
| | 28-pin QFN | 28-pin SOIC | 44-pin QFN/TQFP | | | |
| Parallel Master Port | | | | | | |
| PMA0 | 7 | 10 | 15 | I/O | TTL/ST | Parallel Master Port Address bit 0 Input (Buffered Slave modes) and Output (Master modes) |
| PMA1 | 27 ⁽²⁾ | 2 ⁽²⁾ | 2 | I/O | TTL/ST | Parallel Master Port Address bit 1 Input (Buffered Slave modes) and Output (Master modes) |
| | 22 ⁽³⁾ | 25 ⁽³⁾ | | | | |
| PMA2 | — | — | 24 | O | — | Parallel Master Port Address (Demultiplexed Master modes) |
| PMA3 | — | — | 41 ⁽²⁾ | O | — | |
| | | | 19 ⁽³⁾ | | | |
| PMA4 | — | — | 44 | O | — | |
| PMA5 | — | — | 43 | O | — | |
| PMA6 | — | — | 42 ⁽²⁾ | O | — | |
| | | | 20 ⁽³⁾ | | | |
| PMA7 | — | — | 1 | O | — | |
| PMA8 | — | — | 8 ⁽²⁾ | O | — | |
| | | | 23 ⁽³⁾ | | | |
| PMA9 | — | — | 9 ⁽²⁾ | O | — | |
| | | | 22 ⁽³⁾ | | | |
| PMA10 | — | — | 12 ⁽²⁾ | O | — | |
| | | | 21 ⁽³⁾ | | | |
| PMCS1 | 23 | 26 | 3 | O | — | Parallel Master Port Chip Select 1 Strobe |
| PMD0 | 20 ⁽²⁾ | 23 ⁽²⁾ | 10 ⁽²⁾ | I/O | TTL/ST | Parallel Master Port Data (Demultiplexed Master mode) or Address/Data (Multiplexed Master modes) |
| | 1 ⁽³⁾ | 4 ⁽³⁾ | 12 ⁽³⁾ | | | |
| PMD1 | 19 ⁽²⁾ | 22 ⁽²⁾ | 35 | I/O | TTL/ST | |
| | 2 ⁽³⁾ | 5 ⁽³⁾ | | | | |
| PMD2 | 18 ⁽²⁾ | 21 ⁽²⁾ | 32 | I/O | TTL/ST | |
| | 3 ⁽³⁾ | 6 ⁽³⁾ | | | | |
| PMD3 | 15 | 18 | 13 | I/O | TTL/ST | |
| PMD4 | 14 | 17 | 37 | I/O | TTL/ST | |
| PMD5 | 13 | 16 | 4 | I/O | TTL/ST | |
| PMD6 | 12 ⁽²⁾ | 15 ⁽²⁾ | 5 | I/O | TTL/ST | |
| | 28 ⁽³⁾ | 3 ⁽³⁾ | | | | |
| PMD7 | 11 ⁽²⁾ | 14 ⁽²⁾ | 38 | I/O | TTL/ST | |
| | 27 ⁽³⁾ | 2 ⁽³⁾ | | | | |
| PMRD | 21 ^(2,5) | 24 ^(2,5) | 11 ⁽⁴⁾ | O | — | Parallel Master Port Read Strobe |
| | 11 ^(3,5) | 14 ⁽³⁾ | 36 ⁽⁵⁾ | | | |
| PMWR | 22 ⁽²⁾ | 25 ⁽²⁾ | 27 | O | — | Parallel Master Port Write Strobe |
| | 4 ⁽³⁾ | 7 ⁽³⁾ | | | | |

Legend: CMOS = CMOS compatible input or output
 ST = Schmitt Trigger input with CMOS levels
 TTL = TTL input buffer
 Analog = Analog input
 O = Output
 PPS = Peripheral Pin Select
 P = Power
 I = Input
 — = N/A

- Note 1:** Pin numbers are provided for reference only. See the “Pin Diagrams” section for device pin availability.
2: Pin number for General Purpose devices only.
3: Pin number for USB devices only.
4: Pin number for devices with VBAT only.
5: Pin number for devices without VBAT only.

PIC32MX1XX/2XX 28/44-PIN XLP FAMILY

TABLE 1-13: USB PINOUT I/O DESCRIPTIONS

| Pin Name | Pin Number ^(1,2) | | | Pin Type | Buffer Type | Description |
|-----------------------------|-----------------------------|-------------|-----------------|----------|-------------|--|
| | 28-pin QFN | 28-pin SOIC | 44-pin QFN/TQFP | | | |
| Universal Serial Bus | | | | | | |
| V _{BUS} | 12 | 15 | 42 | I | Analog | USB Bus Power Monitor |
| V _{USB3V3} | 20 | 23 | 10 | P | — | USB Internal Transceiver Supply. This pin must be connected to V _{DD} . |
| V _{BUSON} | PPS | PPS | PPS | O | — | USB Host and OTG Bus Power Control Output |
| D+ | 18 | 21 | 8 | I/O | Analog | USB D+ |
| D- | 19 | 22 | 9 | I/O | Analog | USB D- |
| USBID | 11 | 14 | 41 | I | ST | USB OTG ID Detect |
| USBON | 14 | 17 | 44 | O | — | ON Signal for External V _{BUS} Source |

Legend: CMOS = CMOS compatible input or output Analog = Analog input P = Power
 ST = Schmitt Trigger input with CMOS levels O = Output I = Input
 TTL = TTL input buffer PPS = Peripheral Pin Select — = N/A

- Note 1:** Pin numbers are provided for reference only. See the “[Pin Diagrams](#)” section for device pin availability.
2: All pins are only available on USB devices.
3: Pin number for devices without V_{BAT}.
4: Pin number for devices with USB only.
5: Pin number for devices without USB.

PIC32MX1XX/2XX 28/44-PIN XLP FAMILY

TABLE 1-14: CTMU PINOUT I/O DESCRIPTIONS

| Pin Name | Pin Number ⁽¹⁾ | | | Pin Type | Buffer Type | Description |
|-------------------------------------|---------------------------|-------------------|-------------------|----------|-------------|-------------------------------|
| | 28-pin QFN | 28-pin SOIC | 44-pin QFN/TQFP | | | |
| Charge Time Measurement Unit | | | | | | |
| CTED1 | 27 | 2 | 19 | I | ST | CTMU External Edge Input 1-13 |
| CTED2 | 28 | 3 | 20 | I | ST | |
| CTED3 | 13 | 16 | 43 | I | ST | |
| CTED4 | 15 | 18 | 1 | I | ST | |
| CTED5 | 22 | 25 | 14 | I | ST | |
| CTED6 | 23 | 26 | 15 | I | ST | |
| CTED7 | — | — | 5 | I | ST | |
| CTED8 | — | — | 13 | I | ST | |
| CTED9 | 9 | 12 | 34 ⁽²⁾ | I | ST | |
| CTED10 | 14 | 17 | 44 | I | ST | |
| CTED11 | 8 ⁽⁴⁾ | 11 ⁽⁴⁾ | 33 ⁽⁴⁾ | I | ST | |
| | 18 ⁽⁵⁾ | 21 ⁽⁵⁾ | 8 ⁽⁵⁾ | | | |
| CTED12 | 2 | 5 | 22 | I | ST | |
| CTED13 | 3 | 6 | 23 | I | ST | |
| CTPLS | 4 ⁽²⁾ | 7 ⁽²⁾ | 24 ⁽²⁾ | O | — | CTMU Pulse Output |
| | 21 ⁽³⁾ | 24 ⁽³⁾ | 11 ⁽³⁾ | | | |

Legend: CMOS = CMOS compatible input or output Analog = Analog input P = Power
 ST = Schmitt Trigger input with CMOS levels O = Output I = Input
 TTL = TTL input buffer PPS = Peripheral Pin Select — = N/A

Note 1: Pin numbers are provided for reference only. See the “[Pin Diagrams](#)” section for device pin availability.

2: Pin number for devices with VBAT only.

3: Pin number for devices without VBAT.

4: Pin number for devices with USB only.

5: Pin number for devices without USB.

PIC32MX1XX/2XX 28/44-PIN XLP FAMILY

TABLE 1-15: POWER, GROUND, AND VOLTAGE REFERENCE PINOUT I/O DESCRIPTIONS

| Pin Name | Pin Number ⁽¹⁾ | | | Pin Type | Buffer Type | Description |
|--------------------------|---------------------------|-------------------|-------------------|----------|-------------|---|
| | 28-pin QFN | 28-pin SOIC | 44-pin QFN/TQFP | | | |
| Power and Ground | | | | | | |
| AVDD | 25 | 28 | 17 | P | — | Positive supply for analog modules. This pin must be connected at all times. |
| AVSS | 24 | 27 | 16 | P | — | Ground reference for analog modules |
| VDD | 10 | 13 | 28, 40 | P | — | Positive supply for peripheral logic and I/O pins |
| VCAP | 17 | 20 | 7 | P | — | CPU logic filter capacitor connection |
| VSS | 5, 16 | 8, 19 | 6, 29, 39 | P | — | Ground reference for logic and I/O pins. This pin must be connected at all times. |
| LVDIN | 2 | 5 | 22 | | | Low-Voltage Detect pin |
| VBAT | 21 ⁽²⁾ | 24 ⁽²⁾ | 11 ⁽²⁾ | | | Positive supply for the battery backed section. It is recommended to connect this pin to VDD if VBAT mode is not used (i.e., not connected to the battery). |
| Voltage Reference | | | | | | |
| VREF+ | 27 | 2 | 19 | I | Analog | Analog voltage reference (high) input |
| VREF- | 28 | 3 | 20 | I | Analog | Analog voltage reference (low) input |

Legend: CMOS = CMOS compatible input or output Analog = Analog input P = Power
 ST = Schmitt Trigger input with CMOS levels O = Output I = Input
 TTL = TTL input buffer PPS = Peripheral Pin Select — = N/A

Note 1: Pin numbers are provided for reference only. See the “[Pin Diagrams](#)” section for device pin availability.
2: Pin number for devices with VBAT only.

PIC32MX1XX/2XX 28/44-PIN XLP FAMILY

TABLE 1-16: JTAG, TRACE, AND PROGRAMMING/DEBUGGING PINOUT I/O DESCRIPTIONS

| Pin Name | Pin Number ⁽¹⁾ | | | Pin Type | Buffer Type | Description |
|------------------------------|---------------------------|-------------------|-------------------|----------|-------------|--|
| | 28-pin QFN | 28-pin SOIC | 44-pin QFN/TQFP | | | |
| Power and Ground | | | | | | |
| TMS | 19 ⁽²⁾ | 22 ⁽²⁾ | 9 ⁽²⁾ | I | ST | JTAG Test mode select pin |
| | 11 ⁽³⁾ | 14 ⁽³⁾ | 41 ⁽³⁾ | | | |
| TCK | 14 | 17 | 13 | I | ST | JTAG test clock input pin |
| TDI | 13 | 16 | 35 | O | — | JTAG test data input pin |
| TDO | 15 | 18 | 32 | O | — | JTAG test data output pin |
| Programming/Debugging | | | | | | |
| PGED1 | 18 ⁽²⁾ | 21 ⁽²⁾ | 8 ⁽²⁾ | I/O | ST | Data I/O pin for Programming/Debugging Communication Channel 1 |
| | 3 ⁽³⁾ | 6 ⁽³⁾ | 23 ⁽³⁾ | | | |
| PGEC1 | 19 ⁽²⁾ | 22 ⁽²⁾ | 9 ⁽²⁾ | I | ST | Clock input pin for Programming/Debugging Communication Channel 1 |
| | 4 ⁽³⁾ | 7 ⁽³⁾ | 24 ⁽³⁾ | | | |
| PGED2 | 1 | 4 | 21 | I/O | ST | Data I/O pin for Programming/Debugging Communication Channel 2 |
| PGEC2 | 2 | 5 | 22 | I | ST | Clock input pin for Programming/Debugging Communication Channel 2 |
| PGED3 | 11 ⁽²⁾ | 14 ⁽²⁾ | 41 ⁽²⁾ | I/O | ST | Data I/O pin for Programming/Debugging Communication Channel 3 |
| | 27 ⁽³⁾ | 2 ⁽³⁾ | 19 ⁽³⁾ | | | |
| PGEC3 | 12 ⁽²⁾ | 15 ⁽²⁾ | 42 ⁽²⁾ | I | ST | Clock input pin for Programming/Debugging Communication Channel 3 |
| | 28 ⁽³⁾ | 3 ⁽³⁾ | 20 ⁽³⁾ | | | |
| PGED4 | — | — | 12 | I/O | ST | Data I/O pin for Programming/Debugging Communication Channel 4 |
| PGEC4 | — | — | 13 | I | ST | Clock input pin for Programming/Debugging Communication Channel 4 |
| $\overline{\text{MCLR}}$ | 26 | 1 | 18 | I/P | ST | Master Clear (Reset) input. This pin is an active-low Reset to the device. |

Legend: CMOS = CMOS compatible input or output Analog = Analog input P = Power
 ST = Schmitt Trigger input with CMOS levels O = Output I = Input
 TTL = TTL input buffer PPS = Peripheral Pin Select — = N/A

Note 1: Pin numbers are provided for reference only. See the “[Pin Diagrams](#)” section for device pin availability.
2: Pin number for General Purpose devices only.
3: Pin number for USB devices only.

PIC32MX1XX/2XX 28/44-PIN XLP FAMILY

2.0 GUIDELINES FOR GETTING STARTED WITH 32-BIT MCUs

Note: This data sheet summarizes the features of the PIC32MX1XX/2XX 28/44-pin XLP Family of devices. It is not intended to be a comprehensive reference source. To complement the information in this data sheet, refer to the documents listed in the *Documentation > Reference Manual* section of the Microchip PIC32 web site (www.microchip.com/pic32).

2.1 Basic Connection Requirements

Getting started with the PIC32MX1XX/2XX 28/44-pin XLP Family of 32-bit Microcontrollers (MCUs) requires attention to a minimal set of device pin connections before proceeding with development. The following is a list of pin names, which must always be connected:

- All VDD and VSS pins (see [2.2 “Decoupling Capacitors”](#))
- All AVDD and AVSS pins, even if the ADC module is not used (see [2.2 “Decoupling Capacitors”](#))
- VCAP pin (see [2.3 “Capacitor on Internal Voltage Regulator \(VCAP\)”](#))
- MCLR pin (see [2.4 “Master Clear \(MCLR\) Pin”](#))
- PGECx/PGEDx pins, used for In-Circuit Serial Programming™ (ICSP™) and debugging purposes (see [2.5 “ICSP Pins”](#))
- OSC1 and OSC2 pins, when external oscillator source is used (see [2.7 “External Oscillator Pins”](#))

The following pins may be required:

- VREF+/VREF- pins – used when external voltage reference for the ADC module is implemented

Note: The AVDD and AVSS pins must be connected, regardless of ADC use and the ADC voltage reference source.

2.2 Decoupling Capacitors

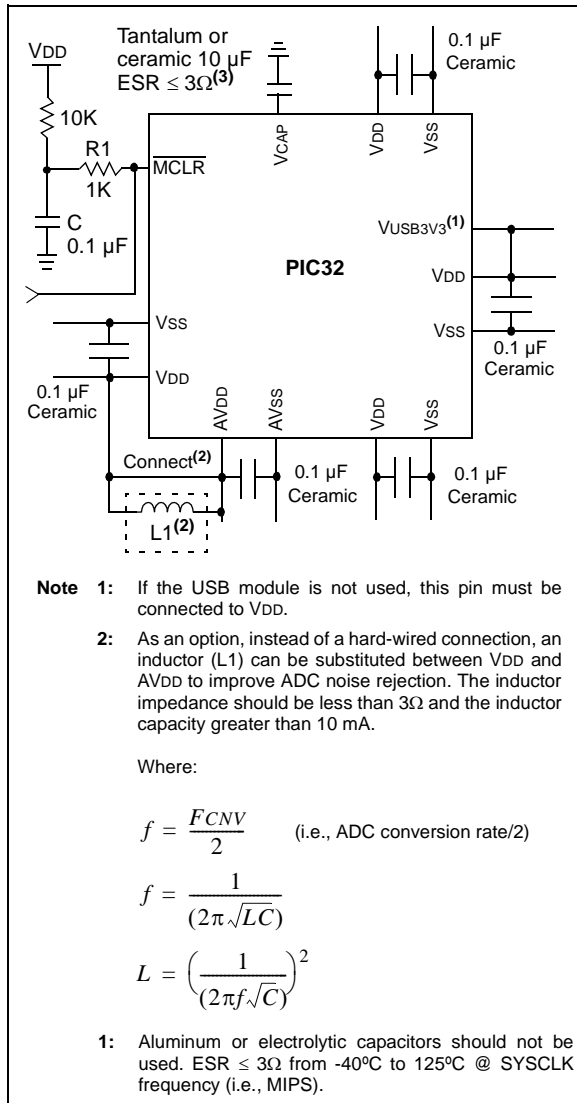
The use of decoupling capacitors on power supply pins, such as VDD, VSS, AVDD and AVSS is required. See [Figure 2-1](#).

Consider the following criteria when using decoupling capacitors:

- **Value and type of capacitor:** A value of 0.1 μF (100 nF), 10-20V is recommended. The capacitor should be a low Equivalent Series Resistance (low-ESR) capacitor and have resonance frequency in the range of 20 MHz and higher. It is further recommended that ceramic capacitors be used.
- **Placement on the printed circuit board:** The decoupling capacitors should be placed as close to the pins as possible. It is recommended that the capacitors be placed on the same side of the board as the device. If space is constricted, the capacitor can be placed on another layer on the PCB using a via; however, ensure that the trace length from the pin to the capacitor is within one-quarter inch (6 mm) in length.
- **Handling high frequency noise:** If the board is experiencing high frequency noise, upward of tens of MHz, add a second ceramic-type capacitor in parallel to the above described decoupling capacitor. The value of the second capacitor can be in the range of 0.01 μF to 0.001 μF . Place this second capacitor next to the primary decoupling capacitor. In high-speed circuit designs, consider implementing a decade pair of capacitances as close to the power and ground pins as possible. For example, 0.1 μF in parallel with 0.001 μF .
- **Maximizing performance:** On the board layout from the power supply circuit, run the power and return traces to the decoupling capacitors first, and then to the device pins. This ensures that the decoupling capacitors are first in the power chain. Equally important is to keep the trace length between the capacitor and the power pins to a minimum thereby reducing PCB track inductance.

PIC32MX1XX/2XX 28/44-PIN XLP FAMILY

FIGURE 2-1: RECOMMENDED MINIMUM CONNECTION



2.2.1 BULK CAPACITORS

The use of a bulk capacitor is recommended to improve power supply stability. Typical values range from 4.7 μF to 47 μF . This capacitor should be located as close to the device as possible.

2.3 Capacitor on Internal Voltage Regulator (VCAP)

2.3.1 INTERNAL REGULATOR MODE

A low-ESR (3 ohm) capacitor is required on the VCAP pin, which is used to stabilize the internal voltage regulator output. The VCAP pin must not be connected to VDD, and must have a CEFC capacitor, with at least a 6V rating, connected to ground. The type can be ceramic or tantalum. Refer to [33.0 "Electrical Characteristics"](#) for additional information on CEFC specifications.

2.4 Master Clear ($\overline{\text{MCLR}}$) Pin

The $\overline{\text{MCLR}}$ pin provides two specific device functions:

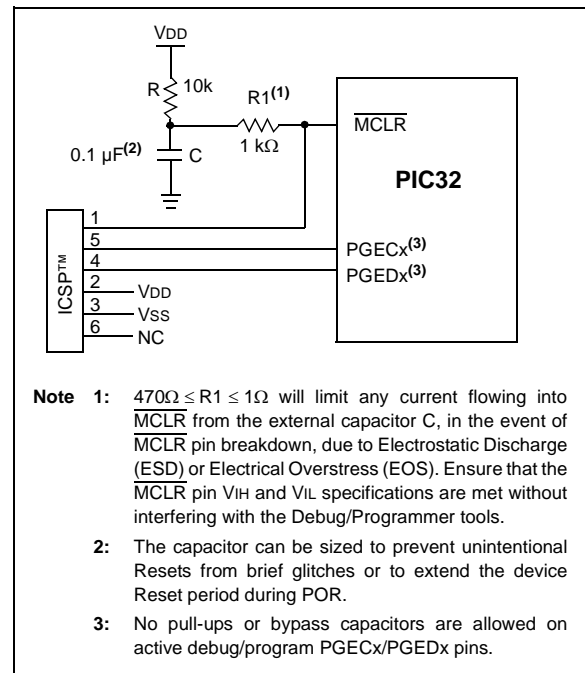
- Device Reset
- Device programming and debugging

Pulling The $\overline{\text{MCLR}}$ pin low generates a device Reset. [Figure 2-2](#) illustrates a typical $\overline{\text{MCLR}}$ circuit. During device programming and debugging, the resistance and capacitance that can be added to the pin must be considered. Device programmers and debuggers drive the $\overline{\text{MCLR}}$ pin. Consequently, specific voltage levels (V_{IH} and V_{IL}) and fast signal transitions must not be adversely affected. Therefore, specific values of R and C will need to be adjusted based on the application and PCB requirements.

For example, as illustrated in [Figure 2-2](#), it is recommended that the capacitor C, be isolated from the $\overline{\text{MCLR}}$ pin during programming and debugging operations.

Place the components illustrated in [Figure 2-2](#) within one-quarter inch (6 mm) from the $\overline{\text{MCLR}}$ pin.

FIGURE 2-2: EXAMPLE OF $\overline{\text{MCLR}}$ PIN CONNECTIONS



PIC32MX1XX/2XX 28/44-PIN XLP FAMILY

2.5 ICSP Pins

The PGECx and PGEDx pins are used for ICSP and debugging purposes. It is recommended to keep the trace length between the ICSP connector and the ICSP pins on the device as short as possible. If the ICSP connector is expected to experience an ESD event, a series resistor is recommended, with the value in the range of a few tens of Ohms, not to exceed 100 Ohms.

Pull-up resistors, series diodes and capacitors on the PGECx and PGEDx pins are not recommended as they will interfere with the programmer/debugger communications to the device. If such discrete components are an application requirement, they should be removed from the circuit during programming and debugging. Alternatively, refer to the AC/DC characteristics and timing requirements information in the respective device Flash programming specification for information on capacitive loading limits and pin input voltage high (V_{IH}) and input low (V_{IL}) requirements.

Ensure that the “Communication Channel Select” (i.e., PGECx/PGEDx pins) programmed into the device matches the physical connections for the ICSP to MPLAB® ICD 3 or MPLAB REAL ICE™.

For more information on ICD 3 and REAL ICE connection requirements, refer to the following documents that are available on the Microchip web site:

- “Using MPLAB® ICD 3” (poster) (DS50001765)
- “MPLAB® ICD 3 Design Advisory” (DS50001764)
- “MPLAB® REAL ICE™ In-Circuit Debugger User’s Guide” (DS50001616)
- “Using MPLAB® REAL ICE™ Emulator” (poster) (DS50001749)

2.6 JTAG

The TMS, TDO, TDI and TCK pins are used for testing and debugging according to the Joint Test Action Group (JTAG) standard. It is recommended to keep the trace length between the JTAG connector and the JTAG pins on the device as short as possible. If the JTAG connector is expected to experience an ESD event, a series resistor is recommended with the value in the range of a few tens of Ohms, not to exceed 100 Ohms.

Pull-up resistors, series diodes and capacitors on the TMS, TDO, TDI and TCK pins are not recommended as they will interfere with the programmer/debugger communications to the device. If such discrete components are an application requirement, they should be removed from the circuit during programming and debugging. Alternatively, refer to the AC/DC characteristics and timing requirements information in the respective device Flash programming specification for information on capacitive loading limits and pin input voltage high (V_{IH}) and input low (V_{IL}) requirements.

2.7 External Oscillator Pins

Many MCUs have options for at least two oscillators: a high-frequency primary oscillator and a low-frequency secondary oscillator (refer to [8.0 “Oscillator Configuration”](#) for details).

The oscillator circuit should be placed on the same side of the board as the device. Also, place the oscillator circuit close to the respective oscillator pins, not exceeding one-half inch (12 mm) distance between them. The load capacitors should be placed next to the oscillator itself, on the same side of the board. Use a grounded copper pour around the oscillator circuit to isolate them from surrounding circuits. The grounded copper pour should be routed directly to the MCU ground. Do not run any signal traces or power traces inside the ground pour. Also, if using a two-sided board, avoid any traces on the other side of the board where the crystal is placed. A suggested layout is illustrated in [Figure 2-3](#).

FIGURE 2-3: SUGGESTED OSCILLATOR CIRCUIT PLACEMENT



2.8 Unused I/Os

Unused I/O pins should not be allowed to float as inputs. They can be configured as outputs and driven to a logic-low state.

Alternatively, inputs can be reserved by connecting the pin to VSS through a 1k to 10k resistor and configuring the pin as an input.

PIC32MX1XX/2XX 28/44-PIN XLP FAMILY

2.8.1 CRYSTAL OSCILLATOR DESIGN CONSIDERATION

The following example assumptions are used to calculate the Primary Oscillator loading capacitor values:

- C_{IN} = PIC32_OSC2_Pin Capacitance = ~4-5 pF
- C_{OUT} = PIC32_OSC1_Pin Capacitance = ~4-5 pF
- C_1 and C_2 = XTAL manufacturing recommended loading capacitance
- Estimated PCB stray capacitance, (i.e., 12 mm length) = 2.5 pF

EXAMPLE 2-1: CRYSTAL LOAD CAPACITOR CALCULATION

Crystal manufacturer recommended: $C_1 = C_2 = 15 \text{ pF}$

Therefore:

$$\begin{aligned} C_{LOAD} &= \{ ([C_{IN} + C_1] * [C_{OUT} + C_2]) / [C_{IN} + C_1 + C_2 + C_{OUT}] \} \\ &\quad + \text{estimated oscillator PCB stray capacitance} \\ &= \{ ([5 + 15][5 + 15]) / [5 + 15 + 15 + 5] \} + 2.5 \text{ pF} \\ &= \{ ([20][20]) / [40] \} + 2.5 \\ &= 10 + 2.5 = 12.5 \text{ pF} \end{aligned}$$

Rounded to the nearest standard value or 13 pF in this example for Primary Oscillator crystals "C1" and "C2".

The following tips are used to increase oscillator gain, (i.e., to increase peak-to-peak oscillator signal):

- Select a crystal with a lower "minimum" power drive rating
- Select an crystal oscillator with a lower XTAL manufacturing "ESR" rating.
- Add a parallel resistor across the crystal. The smaller the resistor value the greater the gain. It is recommended to stay in the range of 600k to 1M
- C_1 and C_2 values also affect the gain of the oscillator. The lower the values, the higher the gain.
- C_2/C_1 ratio also affects gain. To increase the gain, make C_1 slightly smaller than C_2 , which will also help start-up performance.

Note: Do not add excessive gain such that the oscillator signal is clipped, flat on top of the sine wave. If so, you need to reduce the gain or add a series resistor, R_S , as shown in circuit "C" in Figure 2-4. Failure to do so will stress and age the crystal, which can result in an early failure. Adjust the gain to trim the max peak-to-peak to $\sim V_{DD} - 0.6V$. When measuring the oscillator signal you must use a FET scope probe or a probe with $\leq 1.5 \text{ pF}$ or the scope probe itself will unduly change the gain and peak-to-peak levels.

2.8.1.1 Additional Microchip References

- AN588 "PICmicro® Microcontroller Oscillator Design Guide"
- AN826 "Crystal Oscillator Basics and Crystal Selection for rPIC™ and PICmicro® Devices"
- AN849 "Basic PICmicro® Oscillator Design"

FIGURE 2-4: PRIMARY CRYSTAL OSCILLATOR CIRCUIT RECOMMENDATIONS



PIC32MX1XX/2XX 28/44-PIN XLP FAMILY

2.9 Typical Application Connection Examples

Examples of typical application connections are shown in [Figure 2-5](#) and [Figure 2-6](#).

FIGURE 2-5: REMOTE SENSING APPLICATION



FIGURE 2-6: CAPACITIVE TOUCH SENSING WITH GRAPHICS APPLICATION



PIC32MX1XX/2XX 28/44-PIN XLP FAMILY

NOTES:

PIC32MX1XX/2XX 28/44-PIN XLP FAMILY

3.0 CPU

Note: This data sheet summarizes the features of the PIC32MX1XX/2XX 28/44-pin XLP Family of devices. It is not intended to be a comprehensive reference source. To complement the information in this data sheet, refer to **Section 2. “CPU”** (DS60001113), which is available from the *Documentation > Reference Manual* section of the Microchip PIC32 web site (www.microchip.com/pic32). Resources for the MIPS32® M4K® Processor Core are available at: www.imgtec.com.

The MIPS32® M4K® Processor Core is the heart of the PIC32MX1XX/2XX family processor. The CPU fetches instructions, decodes each instruction, fetches source operands, executes each instruction and writes the results of instruction execution to the destinations.

3.1 Features

- 5-stage pipeline
- 32-bit address and data paths
- MIPS32 Enhanced Architecture (Release 2)
 - Multiply-accumulate and multiply-subtract instructions
 - Targeted multiply instruction
 - Zero/One detect instructions
 - WAIT instruction
 - Conditional move instructions (MOVN, MOVZ)
 - Vectored interrupts
 - Programmable exception vector base
 - Atomic interrupt enable/disable
 - Bit field manipulation instructions
- MIPS16e® code compression
 - 16-bit encoding of 32-bit instructions to improve code density
 - Special PC-relative instructions for efficient loading of addresses and constants
 - SAVE and RESTORE macro instructions for setting up and tearing down stack frames within subroutines
 - Improved support for handling 8-bit and 16-bit data types
- Simple Fixed Mapping Translation (FMT) mechanism
- Simple dual bus interface
 - Independent 32-bit address and data buses
 - Transactions can be aborted to improve interrupt latency
- Autonomous multiply/divide unit
 - Maximum issue rate of one 32x16 multiply per clock
 - Maximum issue rate of one 32x32 multiply every other clock
 - Early-in iterative divide. Minimum 11 and maximum 33 clock latency (dividend (rs) sign extension-dependent)
- Power control
 - Minimum frequency: 0 MHz
 - Low-Power mode (triggered by WAIT instruction)
 - Extensive use of local gated clocks
- EJTAG debug and instruction trace
 - Support for single stepping
 - Virtual instruction and data address/value
 - Breakpoints

FIGURE 3-1: MIPS32® M4K® PROCESSOR CORE BLOCK DIAGRAM



PIC32MX1XX/2XX 28/44-PIN XLP FAMILY

3.2 Architecture Overview

The MIPS32 M4K processor core contains several logic blocks working together in parallel, providing an efficient high-performance computing engine. The following blocks are included with the core:

- Execution Unit
- Multiply/Divide Unit (MDU)
- System Control Coprocessor (CP0)
- Fixed Mapping Translation (FMT)
- Dual Internal Bus interfaces
- Power Management
- MIPS16e[®] Support
- Enhanced JTAG (EJTAG) Controller

3.2.1 EXECUTION UNIT

The MIPS32 M4K processor core execution unit implements a load/store architecture with single-cycle ALU operations (logical, shift, add, subtract) and an autonomous multiply/divide unit. The core contains thirty-two 32-bit General Purpose Registers (GPRs) used for integer operations and address calculation. The register file consists of two read ports and one write port and is fully bypassed to minimize operation latency in the pipeline.

The execution unit includes:

- 32-bit adder used for calculating the data address
- Address unit for calculating the next instruction address
- Logic for branch determination and branch target address calculation
- Load aligner
- Bypass multiplexers used to avoid stalls when executing instruction streams where data producing instructions are followed closely by consumers of their results
- Leading Zero/One detect unit for implementing the CLZ and CLO instructions
- Arithmetic Logic Unit (ALU) for performing bitwise logical operations
- Shifter and store aligner

3.2.2 MULTIPLY/DIVIDE UNIT (MDU)

The MIPS32 M4K processor core includes a Multiply/Divide Unit (MDU) that contains a separate pipeline for multiply and divide operations. This pipeline operates in parallel with the Integer Unit (IU) pipeline and does not stall when the IU pipeline stalls. This allows MDU operations to be partially masked by system stalls and/or other integer unit instructions.

The high-performance MDU consists of a 32x16 booth recoded multiplier, result/accumulation registers (HI and LO), a divide state machine, and the necessary multiplexers and control logic. The first number shown ('32' of 32x16) represents the *rs* operand. The second number ('16' of 32x16) represents the *rt* operand. The PIC32 core only checks the value of the latter (*rt*) operand to determine how many times the operation must pass through the multiplier. The 16x16 and 32x16 operations pass through the multiplier once. A 32x32 operation passes through the multiplier twice.

The MDU supports execution of one 16x16 or 32x16 multiply operation every clock cycle; 32x32 multiply operations can be issued every other clock cycle. Appropriate interlocks are implemented to stall the issuance of back-to-back 32x32 multiply operations. The multiply operand size is automatically determined by logic built into the MDU.

Divide operations are implemented with a simple 1 bit per clock iterative algorithm. An early-in detection checks the sign extension of the dividend (*rs*) operand. If *rs* is 8 bits wide, 23 iterations are skipped. For a 16-bit wide *rs*, 15 iterations are skipped and for a 24-bit wide *rs*, 7 iterations are skipped. Any attempt to issue a subsequent MDU instruction while a divide is still active causes an IU pipeline stall until the divide operation is completed.

Table 3-1 lists the repeat rate (peak issue rate of cycles until the operation can be reissued) and latency (number of cycles until a result is available) for the PIC32 core multiply and divide instructions. The approximate latency and repeat rates are listed in terms of pipeline clocks.

TABLE 3-1: MIPS32[®] M4K[®] PROCESSOR CORE HIGH-PERFORMANCE INTEGER MULTIPLY/DIVIDE UNIT LATENCIES AND REPEAT RATES

| Opcode | Operand Size (mul <i>rt</i>) (div <i>rs</i>) | Latency | Repeat Rate |
|------------------------------------|--|---------|-------------|
| MULT/MULTU, MADD/MADDU, MSUB/MSUBU | 16 bits | 1 | 1 |
| | 32 bits | 2 | 2 |
| MUL | 16 bits | 2 | 1 |
| | 32 bits | 3 | 2 |
| DIV/DIVU | 8 bits | 12 | 11 |
| | 16 bits | 19 | 18 |
| | 24 bits | 26 | 25 |
| | 32 bits | 33 | 32 |

PIC32MX1XX/2XX 28/44-PIN XLP FAMILY

The MIPS architecture defines that the result of a multiply or divide operation be placed in the HI and LO registers. Using the Move-From-HI (MFHI) and Move-From-LO (MFLO) instructions, these values can be transferred to the General Purpose Register file.

In addition to the HI/LO targeted operations, the MIPS32® architecture also defines a multiply instruction, MUL, which places the least significant results in the primary register file instead of the HI/LO register pair. By avoiding the explicit MFLO instruction required when using the LO register, and by supporting multiple destination registers, the throughput of multiply-intensive operations is increased.

Two other instructions, Multiply-Add (MADD) and Multiply-Subtract (MSUB), are used to perform the multiply-accumulate and multiply-subtract operations. The MADD instruction multiplies two numbers and then

adds the product to the current contents of the HI and LO registers. Similarly, the MSUB instruction multiplies two operands and then subtracts the product from the HI and LO registers. The MADD and MSUB operations are commonly used in DSP algorithms.

3.2.3 SYSTEM CONTROL COPROCESSOR (CP0)

In the MIPS architecture, CP0 is responsible for the virtual-to-physical address translation, the exception control system, the processor's diagnostics capability, the operating modes (Kernel, User and Debug) and whether interrupts are enabled or disabled. Configuration information, such as presence of options like MIPS16e, is also available by accessing the CP0 registers, listed in [Table 3-2](#).

TABLE 3-2: COPROCESSOR 0 REGISTERS

| Register Number | Register Name | Function |
|-----------------|-------------------------|--|
| 0-6 | Reserved | Reserved in the PIC32MX1XX/2XX XLP Family core. |
| 7 | HWREna | Enables access via the RDHWR instruction to selected hardware registers. |
| 8 | BadVAddr ⁽¹⁾ | Reports the address for the most recent address-related exception. |
| 9 | Count ⁽¹⁾ | Processor cycle count. |
| 10 | Reserved | Reserved in the PIC32MX1XX/2XX XLP Family core. |
| 11 | Compare ⁽¹⁾ | Timer interrupt control. |
| 12 | Status ⁽¹⁾ | Processor status and control. |
| 12 | IntCtl ⁽¹⁾ | Interrupt system status and control. |
| 12 | SRSCtl ⁽¹⁾ | Shadow register set status and control. |
| 12 | SRSMap ⁽¹⁾ | Provides mapping from vectored interrupt to a shadow set. |
| 13 | Cause ⁽¹⁾ | Cause of last general exception. |
| 14 | EPC ⁽¹⁾ | Program counter at last exception. |
| 15 | PRId | Processor identification and revision. |
| 15 | EBASE | Exception vector base register. |
| 16 | Config | Configuration register. |
| 16 | Config1 | Configuration Register 1. |
| 16 | Config2 | Configuration Register 2. |
| 16 | Config3 | Configuration Register 3. |
| 17-22 | Reserved | Reserved in the PIC32MX1XX/2XX XLP Family core. |
| 23 | Debug ⁽²⁾ | Debug control and exception status. |
| 24 | DEPC ⁽²⁾ | Program counter at last debug exception. |
| 25-29 | Reserved | Reserved in the PIC32MX1XX/2XX XLP Family core. |
| 30 | ErrorEPC ⁽¹⁾ | Program counter at last error. |
| 31 | DESAVE ⁽²⁾ | Debug handler scratchpad register. |

Note 1: Registers used in exception processing.

2: Registers used during debug.

PIC32MX1XX/2XX 28/44-PIN XLP FAMILY

Coprocessor 0 also contains the logic for identifying and managing exceptions. Exceptions can be caused by a variety of sources, including alignment errors in data, external events or program errors. [Table 3-3](#) lists the exception types in order of priority.

TABLE 3-3: MIPS32® M4K® PROCESSOR CORE EXCEPTION TYPES

| Exception | Description |
|-----------|---|
| Reset | Assertion $\overline{\text{MCLR}}$ or a Power-on Reset (POR). |
| DSS | EJTAG debug single step. |
| DINT | EJTAG debug interrupt. Caused by the assertion of the external EJ_DINT input or by setting the EtagBrk bit in the ECR register. |
| NMI | Assertion of NMI signal. |
| Interrupt | Assertion of unmasked hardware or software interrupt signal. |
| DIB | EJTAG debug hardware instruction break matched. |
| AdEL | Fetch address alignment error. Fetch reference to protected address. |
| IBE | Instruction fetch bus error. |
| DBp | EJTAG breakpoint (execution of SDBBP instruction). |
| Sys | Execution of SYSCALL instruction. |
| Bp | Execution of BREAK instruction. |
| RI | Execution of a reserved instruction. |
| CpU | Execution of a coprocessor instruction for a coprocessor that is not enabled. |
| CEU | Execution of a CorExtend instruction when CorExtend is not enabled. |
| Ov | Execution of an arithmetic instruction that overflowed. |
| Tr | Execution of a trap (when trap condition is true). |
| DDBL/DDBS | EJTAG Data Address Break (address only) or EJTAG data value break on store (address + value). |
| AdEL | Load address alignment error. Load reference to protected address. |
| AdES | Store address alignment error. Store to protected address. |
| DBE | Load or store bus error. |
| DDBL | EJTAG data hardware breakpoint matched in load data compare. |

3.3 Power Management

The MIPS M4K processor core offers many power management features, including low-power design, active power management and power-down modes of operation. The core is a static design that supports slowing or Halting the clocks, which reduces system power consumption during Idle periods.

3.3.1 INSTRUCTION-CONTROLLED POWER MANAGEMENT

The mechanism for invoking Power-Down mode is through execution of the WAIT instruction. For more information on power management, see [29.0 “Power-Saving Features”](#).

3.4 EJTAG Debug Support

The MIPS M4K processor core provides an Enhanced JTAG (EJTAG) interface for use in the software debug of application and kernel code. In addition to standard User mode and Kernel modes of operation, the M4K core provides a Debug mode that is entered after a debug exception (derived from a hardware breakpoint, single-step exception, etc.) is taken and continues until a Debug Exception Return (DERET) instruction is executed. During this time, the processor executes the debug exception handler routine.

The EJTAG interface operates through the Test Access Port (TAP), a serial communication port used for transferring test data in and out of the core. In addition to the standard JTAG instructions, special instructions defined in the EJTAG specification define which registers are selected and how they are used.

PIC32MX1XX/2XX 28/44-PIN XLP FAMILY

4.0 MEMORY ORGANIZATION

Note: This data sheet summarizes the features of the PIC32MX1XX/2XX 28/44-pin XLP Family of devices. It is not intended to be a comprehensive reference source. For detailed information, refer to **Section 3. “Memory Organization”** (DS60001115), which is available from the *Documentation > Reference Manual* section of the Microchip PIC32 web site (www.microchip.com/pic32).

PIC32MX1XX/2XX 28/44-pin XLP Family microcontrollers provide 4 GB unified virtual memory address space. All memory regions, including program, data memory, Special Function Registers (SFRs), and Configuration registers, reside in this address space at their respective unique addresses. The program and data memories can be optionally partitioned into user and kernel memories. In addition, the data memory can be made executable, allowing PIC32MX1XX/2XX 28/44-pin XLP Family devices to execute from data memory.

Key features include:

- 32-bit native data width
- Separate User (KUSEG) and Kernel (KSEG0/KSEG1) mode address space
- Flexible program Flash memory partitioning
- Flexible data RAM partitioning for data and program space
- Separate Boot Flash memory for protected code
- Robust bus exception handling to intercept runaway code
- Simple memory mapping with Fixed Mapping Translation (FMT) unit
- Cacheable (KSEG0) and non-cacheable (KSEG1) address regions

4.1 PIC32MX1XX/2XX 28/44-pin XLP Family Memory Layout

PIC32MX1XX/2XX 28/44-pin XLP Family microcontrollers implement two address schemes: virtual and physical. All hardware resources, such as program memory, data memory and peripherals, are located at their respective physical addresses. Virtual addresses are exclusively used by the CPU to fetch and execute instructions as well as access peripherals. Physical addresses are used by bus master peripherals, such as DMA and the Flash controller, that access memory independently of the CPU.

The memory maps for the PIC32MX1XX/2XX 28/44-pin XLP Family devices are illustrated in [Figure 4-1](#) and [Figure 4-2](#).

[Table 4-1](#) provides SFR memory map details.

PIC32MX1XX/2XX 28/44-PIN XLP FAMILY

FIGURE 4-1: MEMORY MAP ON RESET FOR PIC32MX15X/25X DEVICES (32 KB RAM, 128 KB FLASH)



PIC32MX1XX/2XX 28/44-PIN XLP FAMILY

FIGURE 4-2: MEMORY MAP ON RESET FOR PIC32MX17X/27X DEVICES (64 KB RAM, 256 KB FLASH)



PIC32MX1XX/2XX 28/44-PIN XLP FAMILY

TABLE 4-1: SFR MEMORY MAP

| Peripheral | Virtual Address | |
|---------------------------|-----------------|--------------|
| | Base | Offset Start |
| Deep Sleep Controller | 0xBF80 | 0x0000 |
| RTCC | | 0x0200 |
| Timer1-Timer5 | | 0x0600 |
| Input Capture 1-5 | | 0x2000 |
| Output Compare 1-5 | | 0x3000 |
| I2C1 and I2C2 | | 0x5000 |
| SPI1 and SPI2 | | 0x5800 |
| UART1 and UART2 | | 0x6000 |
| PMP | | 0x7000 |
| ADC | | 0x9000 |
| CVREF | | 0x9800 |
| Comparator | | 0xA000 |
| CTMU | | 0xA200 |
| Oscillator, Reset | | 0xF000 |
| Device and Revision ID | | 0xF220 |
| Peripheral Module Disable | | 0xF240 |
| Flash Controller | | 0xF400 |
| Watchdog Timer | | 0xF600 |
| PPS | | 0xFA00 |
| HLVD | | 0xFC00 |
| Interrupts | 0xBF88 | 0x1000 |
| Bus Matrix | | 0x2000 |
| DMA | | 0x3000 |
| Prefetch | | 0x4000 |
| USB | | 0x5000 |
| PORTA-PORTC | | 0x6000 |
| Configuration | 0xBFC0 | 0x2FF0 |

4.2 Bus Matrix Control Registers

TABLE 4-2: BUS MATRIX REGISTER MAP

| Virtual Address (BF88_#) | Register Name | Bit Range | Bits | | | | | | | | | | | | | | | | All Resets | | |
|-----------------------------|-------------------------|-----------|-----------------|-------|-------|-------|-------|-------|---------------|------|------|------|------|--------------|------|-----------------|---------------|---------------|---------------|--------------|------|
| | | | 31/15 | 30/14 | 29/13 | 28/12 | 27/11 | 26/10 | 25/9 | 24/8 | 23/7 | 22/6 | 21/5 | 20/4 | 19/3 | 18/2 | 17/1 | 16/0 | | | |
| 2000 | BMXCON ⁽¹⁾ | 31:16 | — | — | — | — | — | — | BMX CHEDMA | — | — | — | — | — | — | BMX ERRIXI | BMX ERRICD | BMX ERRDMA | BMX ERRDS | BMX ERRIS | 001F |
| | | 15:0 | — | — | — | — | — | — | — | — | — | — | — | BMX WSDRM | — | — | — | BMXARB<2:0> | | | 0041 |
| 2010 | BMXDKPBA ⁽¹⁾ | 31:16 | — | — | — | — | — | — | — | — | — | — | — | — | — | — | — | — | — | — | 0000 |
| | | 15:0 | BMXDKPBA<15:0> | | | | | | | | | | | | | | | | 0000 | | |
| 2020 | BMXDUDBA ⁽¹⁾ | 31:16 | — | — | — | — | — | — | — | — | — | — | — | — | — | — | — | — | — | — | 0000 |
| | | 15:0 | BMXDUDBA<15:0> | | | | | | | | | | | | | | | | 0000 | | |
| 2030 | BMXDUPBA ⁽¹⁾ | 31:16 | — | — | — | — | — | — | — | — | — | — | — | — | — | — | — | — | — | — | 0000 |
| | | 15:0 | BMXDUPBA<15:0> | | | | | | | | | | | | | | | | 0000 | | |
| 2040 | BMXDRMSZ | 31:16 | BMXDRMSZ<31:0> | | | | | | | | | | | | | | | | xxxx | | |
| | | 15:0 | BMXDRMSZ<31:0> | | | | | | | | | | | | | | | | xxxx | | |
| 2050 | BMXPUPBA ⁽¹⁾ | 31:16 | — | — | — | — | — | — | — | — | — | — | — | — | — | BMXPUPBA<19:16> | | | | 0000 | |
| | | 15:0 | BMXPUPBA<15:0> | | | | | | | | | | | | | | | | 0000 | | |
| 2060 | BMXPFMSZ | 31:16 | BMXPFMSZ<31:0> | | | | | | | | | | | | | | | | xxxx | | |
| | | 15:0 | BMXPFMSZ<31:0> | | | | | | | | | | | | | | | | xxxx | | |
| 2070 | BMXBOOTSZ | 31:16 | BMXBOOTSZ<31:0> | | | | | | | | | | | | | | | | 0000 | | |
| | | 15:0 | BMXBOOTSZ<31:0> | | | | | | | | | | | | | | | | 0C00 | | |

Legend: x = unknown value on Reset; — = unimplemented, read as '0'. Reset values are shown in hexadecimal.

Note 1: This register has corresponding CLR, SET and INV registers at its virtual address, plus an offset of 0x4, 0x8 and 0xC, respectively. See [12.2 "CLR, SET and INV Registers"](#) for more information.

PIC32MX1XX/2XX 28/44-PIN XLP FAMILY

REGISTER 4-1: BMXCON: BUS MATRIX CONFIGURATION REGISTER

| Bit Range | Bit 31/23/15/7 | Bit 30/22/14/6 | Bit 29/21/13/5 | Bit 28/20/12/4 | Bit 27/19/11/3 | Bit 26/18/10/2 | Bit 25/17/9/1 | Bit 24/16/8/0 |
|-----------|----------------|----------------|----------------|----------------|----------------|----------------|---------------|---------------|
| 31:24 | U-0 | U-0 | U-0 | U-0 | U-0 | R/W-1 | U-0 | U-0 |
| | — | — | — | — | — | BMX CHEDMA | — | — |
| 23:16 | U-0 | U-0 | U-0 | R/W-1 | R/W-1 | R/W-1 | R/W-1 | R/W-1 |
| | — | — | — | BMX ERRIXI | BMX ERRICD | BMX ERRDMA | BMX ERRDS | BMX ERRIS |
| 15:8 | U-0 | U-0 | U-0 | U-0 | U-0 | U-0 | U-0 | U-0 |
| | — | — | — | — | — | — | — | — |
| 7:0 | U-0 | R/W-1 | U-0 | U-0 | U-0 | R/W-0 | R/W-0 | R/W-1 |
| | — | BMX WSDRM | — | — | — | BMXARB<2:0> | | |

Legend:

R = Readable bit W = Writable bit U = Unimplemented bit, read as '0'
-n = Value at POR '1' = Bit is set '0' = Bit is cleared

- bit 31-27 **Unimplemented:** Read as '0'
- bit 26 **BMXCHEDMA:** BMX PFM Cacheability for DMA Access bit
 - 1 = Enable Program Flash memory (data) cacheability for DMA accesses (requires cache to have data caching enabled)
 - 0 = Disable program Flash memory (data) cacheability for DMA accesses (hits are still read from the cache, but misses do not update the cache)
- bit 25-21 **Unimplemented:** Read as '0'
- bit 20 **BMXERRIXI:** Enable Bus Error from IXI bit
 - 1 = Enable bus error exceptions for unmapped address accesses initiated from IXI shared bus
 - 0 = Disable bus error exceptions for unmapped address accesses initiated from IXI shared bus
- bit 19 **BMXERRICD:** Enable Bus Error from ICD Debug Unit bit
 - 1 = Enable bus error exceptions for unmapped address accesses initiated from ICD
 - 0 = Disable bus error exceptions for unmapped address accesses initiated from ICD
- bit 18 **BMXERRDMA:** Bus Error from DMA bit
 - 1 = Enable bus error exceptions for unmapped address accesses initiated from DMA
 - 0 = Disable bus error exceptions for unmapped address accesses initiated from DMA
- bit 17 **BMXERRDS:** Bus Error from CPU Data Access bit (disabled in Debug mode)
 - 1 = Enable bus error exceptions for unmapped address accesses initiated from CPU data access
 - 0 = Disable bus error exceptions for unmapped address accesses initiated from CPU data access
- bit 16 **BMXERRIS:** Bus Error from CPU Instruction Access bit (disabled in Debug mode)
 - 1 = Enable bus error exceptions for unmapped address accesses initiated from CPU instruction access
 - 0 = Disable bus error exceptions for unmapped address accesses initiated from CPU instruction access
- bit 15-7 **Unimplemented:** Read as '0'
- bit 6 **BMXWSDRM:** CPU Instruction or Data Access from Data RAM Wait State bit
 - 1 = Data RAM accesses from CPU have one wait state for address setup
 - 0 = Data RAM accesses from CPU have zero wait states for address setup
- bit 5-3 **Unimplemented:** Read as '0'
- bit 2-0 **BMXARB<2:0>:** Bus Matrix Arbitration Mode bits
 - 111 = Reserved (using these Configuration modes will produce undefined behavior)
 - .
 - .
 - 011 = Reserved (using these Configuration modes will produce undefined behavior)
 - 010 = Arbitration Mode 2
 - 001 = Arbitration Mode 1 (default)
 - 000 = Arbitration Mode 0

PIC32MX1XX/2XX 28/44-PIN XLP FAMILY

REGISTER 4-2: BMXDKPBA: DATA RAM KERNEL PROGRAM BASE ADDRESS REGISTER

| Bit Range | Bit 31/23/15/7 | Bit 30/22/14/6 | Bit 29/21/13/5 | Bit 28/20/12/4 | Bit 27/19/11/3 | Bit 26/18/10/2 | Bit 25/17/9/1 | Bit 24/16/8/0 |
|-----------|----------------|----------------|----------------|----------------|----------------|----------------|---------------|---------------|
| 31:24 | U-0 | U-0 | U-0 | U-0 | U-0 | U-0 | U-0 | U-0 |
| | — | — | — | — | — | — | — | — |
| 23:16 | U-0 | U-0 | U-0 | U-0 | U-0 | U-0 | U-0 | U-0 |
| | — | — | — | — | — | — | — | — |
| 15:8 | R/W-0 | R/W-0 | R/W-0 | R/W-0 | R/W-0 | R/W-0 | R-0 | R-0 |
| | BMXDKPBA<15:8> | | | | | | | |
| 7:0 | R-0 | R-0 | R-0 | R-0 | R-0 | R-0 | R-0 | R-0 |
| | BMXDKPBA<7:0> | | | | | | | |

Legend:

R = Readable bit W = Writable bit U = Unimplemented bit, read as '0'
 -n = Value at POR '1' = Bit is set '0' = Bit is cleared x = Bit is unknown

bit 31-16 **Unimplemented:** Read as '0'

bit 15-10 **BMXDKPBA<15:10>:** DRM Kernel Program Base Address bits

When non-zero, this value selects the relative base address for kernel program space in RAM

bit 9-0 **BMXDKPBA<9:0>:** Read-Only bits

This value is always '0', which forces 1 KB increments

Note 1: At Reset, the value in this register is forced to zero, which causes all of the RAM to be allocated to Kernal mode data usage.

2: The value in this register must be less than or equal to BMXDRMSZ.

PIC32MX1XX/2XX 28/44-PIN XLP FAMILY

REGISTER 4-3: BMXDUDBA: DATA RAM USER DATA BASE ADDRESS REGISTER

| Bit Range | Bit 31/23/15/7 | Bit 30/22/14/6 | Bit 29/21/13/5 | Bit 28/20/12/4 | Bit 27/19/11/3 | Bit 26/18/10/2 | Bit 25/17/9/1 | Bit 24/16/8/0 |
|-----------|----------------|----------------|----------------|----------------|----------------|----------------|---------------|---------------|
| 31:24 | U-0 | U-0 | U-0 | U-0 | U-0 | U-0 | U-0 | U-0 |
| | — | — | — | — | — | — | — | — |
| 23:16 | U-0 | U-0 | U-0 | U-0 | U-0 | U-0 | U-0 | U-0 |
| | — | — | — | — | — | — | — | — |
| 15:8 | R/W-0 | R/W-0 | R/W-0 | R/W-0 | R/W-0 | R/W-0 | R-0 | R-0 |
| | BMXDUDBA<15:8> | | | | | | | |
| 7:0 | R-0 | R-0 | R-0 | R-0 | R-0 | R-0 | R-0 | R-0 |
| | BMXDUDBA<7:0> | | | | | | | |

Legend:

R = Readable bit W = Writable bit U = Unimplemented bit, read as '0'
 -n = Value at POR '1' = Bit is set '0' = Bit is cleared x = Bit is unknown

bit 31-16 **Unimplemented:** Read as '0'

bit 15-10 **BMXDUDBA<15:10>:** DRM User Data Base Address bits

When non-zero, the value selects the relative base address for User mode data space in RAM, the value must be greater than BMXDKPBA.

bit 9-0 **BMXDUDBA<9:0>:** Read-Only bits

This value is always '0', which forces 1 KB increments

Note 1: At Reset, the value in this register is forced to zero, which causes all of the RAM to be allocated to Kernal mode data usage.
2: The value in this register must be less than or equal to BMXDRMSZ.

PIC32MX1XX/2XX 28/44-PIN XLP FAMILY

REGISTER 4-4: BMXDUPBA: DATA RAM USER PROGRAM BASE ADDRESS REGISTER

| Bit Range | Bit 31/23/15/7 | Bit 30/22/14/6 | Bit 29/21/13/5 | Bit 28/20/12/4 | Bit 27/19/11/3 | Bit 26/18/10/2 | Bit 25/17/9/1 | Bit 24/16/8/0 |
|-----------|----------------|----------------|----------------|----------------|----------------|----------------|---------------|---------------|
| 31:24 | U-0 | U-0 | U-0 | U-0 | U-0 | U-0 | U-0 | U-0 |
| | — | — | — | — | — | — | — | — |
| 23:16 | U-0 | U-0 | U-0 | U-0 | U-0 | U-0 | U-0 | U-0 |
| | — | — | — | — | — | — | — | — |
| 15:8 | R/W-0 | R/W-0 | R/W-0 | R/W-0 | R/W-0 | R/W-0 | R-0 | R-0 |
| | BMXDUPBA<15:8> | | | | | | | |
| 7:0 | R-0 | R-0 | R-0 | R-0 | R-0 | R-0 | R-0 | R-0 |
| | BMXDUPBA<7:0> | | | | | | | |

Legend:

R = Readable bit W = Writable bit U = Unimplemented bit, read as '0'
 -n = Value at POR '1' = Bit is set '0' = Bit is cleared x = Bit is unknown

bit 31-16 **Unimplemented:** Read as '0'

bit 15-10 **BMXDUPBA<15:10>:** DRM User Program Base Address bits

When non-zero, the value selects the relative base address for User mode program space in RAM, BMXDUPBA must be greater than BMXDUDBA.

bit 9-0 **BMXDUPBA<9:0>:** Read-Only bits

This value is always '0', which forces 1 KB increments

Note 1: At Reset, the value in this register is forced to zero, which causes all of the RAM to be allocated to Kernal mode data usage.
2: The value in this register must be less than or equal to BMXDRMSZ.

PIC32MX1XX/2XX 28/44-PIN XLP FAMILY

REGISTER 4-5: BMXDRMSZ: DATA RAM SIZE REGISTER

| Bit Range | Bit 31/23/15/7 | Bit 30/22/14/6 | Bit 29/21/13/5 | Bit 28/20/12/4 | Bit 27/19/11/3 | Bit 26/18/10/2 | Bit 25/17/9/1 | Bit 24/16/8/0 |
|-----------------|----------------|----------------|----------------|----------------|----------------|----------------|---------------|---------------|
| 31:24 | R | R | R | R | R | R | R | R |
| BMXDRMSZ<31:24> | | | | | | | | |
| 23:16 | R | R | R | R | R | R | R | R |
| BMXDRMSZ<23:16> | | | | | | | | |
| 15:8 | R | R | R | R | R | R | R | R |
| BMXDRMSZ<15:8> | | | | | | | | |
| 7:0 | R | R | R | R | R | R | R | R |
| BMXDRMSZ<7:0> | | | | | | | | |

Legend:

R = Readable bit W = Writable bit U = Unimplemented bit, read as '0'
 -n = Value at POR '1' = Bit is set '0' = Bit is cleared x = Bit is unknown

bit 31-0 **BMXDRMSZ<31:0>**: Data RAM Memory (DRM) Size bits
 Static value that indicates the size of the Data RAM in bytes:
 0x00008000 = Device has 32 KB RAM
 0x00010000 = Device has 64 KB RAM

REGISTER 4-6: BMXPUPBA: PROGRAM FLASH (PFM) USER PROGRAM BASE ADDRESS REGISTER

| Bit Range | Bit 31/23/15/7 | Bit 30/22/14/6 | Bit 29/21/13/5 | Bit 28/20/12/4 | Bit 27/19/11/3 | Bit 26/18/10/2 | Bit 25/17/9/1 | Bit 24/16/8/0 |
|-----------------|----------------|----------------|----------------|----------------|----------------|----------------|---------------|---------------|
| 31:24 | U-0 | U-0 | U-0 | U-0 | U-0 | U-0 | U-0 | U-0 |
| — | | | | | | | | |
| 23:16 | U-0 | U-0 | U-0 | U-0 | R/W-0 | R/W-0 | R/W-0 | R/W-0 |
| — | | | | | | | | |
| BMXPUPBA<19:16> | | | | | | | | |
| 15:8 | R/W-0 | R/W-0 | R/W-0 | R/W-0 | R/W-0 | R-0 | R-0 | R-0 |
| BMXPUPBA<15:8> | | | | | | | | |
| 7:0 | R-0 | R-0 | R-0 | R-0 | R-0 | R-0 | R-0 | R-0 |
| BMXPUPBA<7:0> | | | | | | | | |

Legend:

R = Readable bit W = Writable bit U = Unimplemented bit, read as '0'
 -n = Value at POR '1' = Bit is set '0' = Bit is cleared x = Bit is unknown

bit 31-20 **Unimplemented**: Read as '0'
 bit 19-11 **BMXPUPBA<19:11>**: Program Flash (PFM) User Program Base Address bits
 bit 10-0 **BMXPUPBA<10:0>**: Read-Only bits
 This value is always '0', which forces 2 KB increments

Note 1: At Reset, the value in this register is forced to zero, which causes all of the RAM to be allocated to Kernal mode data usage.
2: The value in this register must be less than or equal to BMXPFMSZ.

PIC32MX1XX/2XX 28/44-PIN XLP FAMILY

REGISTER 4-7: BMXPFMSZ: PROGRAM FLASH (PFM) SIZE REGISTER

| Bit Range | Bit 31/23/15/7 | Bit 30/22/14/6 | Bit 29/21/13/5 | Bit 28/20/12/4 | Bit 27/19/11/3 | Bit 26/18/10/2 | Bit 25/17/9/1 | Bit 24/16/8/0 |
|-----------|-----------------|----------------|----------------|----------------|----------------|----------------|---------------|---------------|
| 31:24 | R | R | R | R | R | R | R | R |
| | BMXPFMSZ<31:24> | | | | | | | |
| 23:16 | R | R | R | R | R | R | R | R |
| | BMXPFMSZ<23:16> | | | | | | | |
| 15:8 | R | R | R | R | R | R | R | R |
| | BMXPFMSZ<15:8> | | | | | | | |
| 7:0 | R | R | R | R | R | R | R | R |
| | BMXPFMSZ<7:0> | | | | | | | |

Legend:

R = Readable bit W = Writable bit U = Unimplemented bit, read as '0'
 -n = Value at POR '1' = Bit is set '0' = Bit is cleared x = Bit is unknown

bit 31-0 **BMXPFMSZ<31:0>**: Program Flash Memory (PFM) Size bits

Static value that indicates the size of the PFM in bytes:

0x00020000 = Device has 128 KB Flash

0x00040000 = Device has 256 KB Flash

REGISTER 4-8: BMXBOOTSZ: BOOT FLASH (IFM) SIZE REGISTER

| Bit Range | Bit 31/23/15/7 | Bit 30/22/14/6 | Bit 29/21/13/5 | Bit 28/20/12/4 | Bit 27/19/11/3 | Bit 26/18/10/2 | Bit 25/17/9/1 | Bit 24/16/8/0 |
|-----------|------------------|----------------|----------------|----------------|----------------|----------------|---------------|---------------|
| 31:24 | R | R | R | R | R | R | R | R |
| | BMXBOOTSZ<31:24> | | | | | | | |
| 23:16 | R | R | R | R | R | R | R | R |
| | BMXBOOTSZ<23:16> | | | | | | | |
| 15:8 | R | R | R | R | R | R | R | R |
| | BMXBOOTSZ<15:8> | | | | | | | |
| 7:0 | R | R | R | R | R | R | R | R |
| | BMXBOOTSZ<7:0> | | | | | | | |

Legend:

R = Readable bit W = Writable bit U = Unimplemented bit, read as '0'
 -n = Value at POR '1' = Bit is set '0' = Bit is cleared x = Bit is unknown

bit 31-0 **BMXBOOTSZ<31:0>**: Boot Flash Memory (BFM) Size bits

Static value that indicates the size of the Boot PFM in bytes:

0x00003000 = Device has 12 KB Boot Flash

PIC32MX1XX/2XX 28/44-PIN XLP FAMILY

NOTES:

PIC32MX1XX/2XX 28/44-PIN XLP FAMILY

5.0 FLASH PROGRAM MEMORY

Note: This data sheet summarizes the features of the PIC32MX1XX/2XX 28/44-pin XLP Family of devices. It is not intended to be a comprehensive reference source. To complement the information in this data sheet, refer to **Section 5. “Flash Program Memory”** (DS60001121), which is available from the *Documentation > Reference Manual* section of the Microchip PIC32 web site (www.microchip.com/pic32).

PIC32MX1XX/2XX 28/44-pin XLP Family devices contain an internal Flash program memory for executing user code. There are three methods by which the user can program the Flash memory:

- Run-Time Self-Programming (RTSP)
- EJTAG Programming
- In-Circuit Serial Programming™ (ICSP™)

RTSP is performed by software executing from either Flash or RAM memory. Information about RTSP techniques is available in **Section 5. “Flash Program Memory”** (DS60001121) in the *“PIC32 Family Reference Manual”*.

EJTAG is performed using the EJTAG port of the device and an EJTAG capable programmer.

ICSP is performed using a serial data connection to the device and allows much faster programming times than RTSP.

The EJTAG and ICSP methods are described in the *“PIC32 Flash Programming Specification”* (DS60001145), which can be downloaded from the Microchip web site (www.microchip.com).

Note: The Flash page size on PIC32MX-1XX/2XX 28/44-pin XLP Family devices is 1 KB and the row size is 128 bytes (256 IW and 32 IW, respectively).

5.1 Flash Controller Control Registers

TABLE 5-1: FLASH CONTROLLER REGISTER MAP

| Virtual Address (BF80_#) | Register Name | Bit Range | Bits | | | | | | | | | | | | | | | All Resets |
|-----------------------------|------------------------|-----------|------------------|-------|-------|--------|---------|-------|------|------|------|------|------|------|------------|------|------|------------|
| | | | 31/15 | 30/14 | 29/13 | 28/12 | 27/11 | 26/10 | 25/9 | 24/8 | 23/7 | 22/6 | 21/5 | 20/4 | 19/3 | 18/2 | 17/1 | |
| F400 | NVMCON ⁽¹⁾ | 31:16 | — | — | — | — | — | — | — | — | — | — | — | — | — | — | — | 0000 |
| | | 15:0 | WR | WREN | WRERR | LVDERR | LVDSTAT | — | — | — | — | — | — | — | NVMOP<3:0> | | | 0000 |
| F410 | NVMKEY | 31:16 | NVMKEY<31:0> | | | | | | | | | | | | | | | 0000 |
| | | 15:0 | | | | | | | | | | | | | | | | 0000 |
| F420 | NVMADDR ⁽¹⁾ | 31:16 | NVMADDR<31:0> | | | | | | | | | | | | | | | 0000 |
| | | 15:0 | | | | | | | | | | | | | | | | 0000 |
| F430 | NVMDATA | 31:16 | NVMDATA<31:0> | | | | | | | | | | | | | | | 0000 |
| | | 15:0 | | | | | | | | | | | | | | | | 0000 |
| F440 | NVMSRCADDR | 31:16 | NVMSRCADDR<31:0> | | | | | | | | | | | | | | | 0000 |
| | | 15:0 | | | | | | | | | | | | | | | | 0000 |

Legend: x = unknown value on Reset; — = unimplemented, read as '0'. Reset values are shown in hexadecimal.

Note 1: This register has corresponding CLR, SET and INV registers at its virtual address, plus offsets of 0x4, 0x8 and 0xC, respectively. See [12.2 “CLR, SET and INV Registers”](#) for more information.

PIC32MX1XX/2XX 28/44-PIN XLP FAMILY

REGISTER 5-1: NVMCON: PROGRAMMING CONTROL REGISTER

| Bit Range | Bit 31/23/15/7 | Bit 30/22/14/6 | Bit 29/21/13/5 | Bit 28/20/12/4 | Bit 27/19/11/3 | Bit 26/18/10/2 | Bit 25/17/9/1 | Bit 24/16/8/0 |
|-----------|----------------|----------------|----------------------|-----------------------|------------------------|----------------|---------------|---------------|
| 31:24 | U-0 | U-0 | U-0 | U-0 | U-0 | U-0 | U-0 | U-0 |
| | — | — | — | — | — | — | — | — |
| 23:16 | U-0 | U-0 | U-0 | U-0 | U-0 | U-0 | U-0 | U-0 |
| | — | — | — | — | — | — | — | — |
| 15:8 | R/W-0 | R/W-0 | R-0 | R-0 | R-0 | U-0 | U-0 | U-0 |
| | WR | WREN | WRERR ⁽¹⁾ | LVDERR ⁽¹⁾ | LVDSTAT ⁽¹⁾ | — | — | — |
| 7:0 | U-0 | U-0 | U-0 | U-0 | R/W-0 | R/W-0 | R/W-0 | R/W-0 |
| | — | — | — | — | NVMOP<3:0> | | | |

Legend:

| | | |
|-------------------|------------------|------------------------------------|
| R = Readable bit | W = Writable bit | U = Unimplemented bit, read as '0' |
| -n = Value at POR | '1' = Bit is set | '0' = Bit is cleared |
| | | x = Bit is unknown |

bit 31-16 **Unimplemented:** Read as '0'

bit 15 **WR:** Write Control bit

This bit is writable when WREN = 1 and the unlock sequence is followed.

1 = Initiate a Flash operation. Hardware clears this bit when the operation completes
0 = Flash operation is complete or inactive

bit 14 **WREN:** Write Enable bit

This is the only bit in this register reset by a device Reset.

1 = Enable writes to WR bit and enables HLVD circuit
0 = Disable writes to WR bit and disables HLVD circuit

bit 13 **WRERR:** Write Error bit⁽¹⁾

This bit is read-only and is automatically set by hardware.

1 = Program or erase sequence did not complete successfully
0 = Program or erase sequence completed normally

bit 12 **LVDERR:** Low-Voltage Detect Error bit (LVD circuit must be enabled)⁽¹⁾

This bit is read-only and is automatically set by hardware.

1 = Low-voltage detected (possible data corruption, if WRERR is set)
0 = Voltage level is acceptable for programming

bit 11 **LVDSTAT:** Low-Voltage Detect Status bit (LVD circuit must be enabled)⁽¹⁾

This bit is read-only and is automatically set and cleared by the hardware.

1 = Low-voltage event is active
0 = Low-voltage event is not active

bit 10-4 **Unimplemented:** Read as '0'

bit 3-0 **NVMOP<3:0>:** NVM Operation bits

These bits are writable when WREN = 0.

1111 = Reserved

•
•
•

0111 = Reserved

0110 = No operation

0101 = Program Flash Memory (PFM) erase operation: erases PFM, if all pages are not write-protected

0100 = Page erase operation: erases page selected by NVMADDR, if it is not write-protected

0011 = Row program operation: programs row selected by NVMADDR, if it is not write-protected

0010 = No operation

0001 = Word program operation: programs word selected by NVMADDR, if it is not write-protected

0000 = No operation

Note 1: This bit is cleared by setting NVMOP == 'b0000, and initiating a Flash operation (i.e., WR).

PIC32MX1XX/2XX 28/44-PIN XLP FAMILY

REGISTER 5-2: NVMKEY: PROGRAMMING UNLOCK REGISTER

| Bit Range | Bit 31/23/15/7 | Bit 30/22/14/6 | Bit 29/21/13/5 | Bit 28/20/12/4 | Bit 27/19/11/3 | Bit 26/18/10/2 | Bit 25/17/9/1 | Bit 24/16/8/0 |
|---------------|----------------|----------------|----------------|----------------|----------------|----------------|---------------|---------------|
| 31:24 | W-0 | W-0 | W-0 | W-0 | W-0 | W-0 | W-0 | W-0 |
| NVMKEY<31:24> | | | | | | | | |
| 23:16 | W-0 | W-0 | W-0 | W-0 | W-0 | W-0 | W-0 | W-0 |
| NVMKEY<23:16> | | | | | | | | |
| 15:8 | W-0 | W-0 | W-0 | W-0 | W-0 | W-0 | W-0 | W-0 |
| NVMKEY<15:8> | | | | | | | | |
| 7:0 | W-0 | W-0 | W-0 | W-0 | W-0 | W-0 | W-0 | W-0 |
| NVMKEY<7:0> | | | | | | | | |

Legend:

R = Readable bit W = Writable bit U = Unimplemented bit, read as '0'
 -n = Value at POR '1' = Bit is set '0' = Bit is cleared x = Bit is unknown

bit 31-0 **NVMKEY<31:0>**: Unlock Register bits
 These bits are write-only, and read as '0' on any read

Note: This register is used as part of the unlock sequence to prevent inadvertent writes to the PFM.

REGISTER 5-3: NVMADDR: FLASH ADDRESS REGISTER

| Bit Range | Bit 31/23/15/7 | Bit 30/22/14/6 | Bit 29/21/13/5 | Bit 28/20/12/4 | Bit 27/19/11/3 | Bit 26/18/10/2 | Bit 25/17/9/1 | Bit 24/16/8/0 |
|----------------|----------------|----------------|----------------|----------------|----------------|----------------|---------------|---------------|
| 31:24 | R/W-0 | R/W-0 | R/W-0 | R/W-0 | R/W-0 | R/W-0 | R/W-0 | R/W-0 |
| NVMADDR<31:24> | | | | | | | | |
| 23:16 | R/W-0 | R/W-0 | R/W-0 | R/W-0 | R/W-0 | R/W-0 | R/W-0 | R/W-0 |
| NVMADDR<23:16> | | | | | | | | |
| 15:8 | R/W-0 | R/W-0 | R/W-0 | R/W-0 | R/W-0 | R/W-0 | R/W-0 | R/W-0 |
| NVMADDR<15:8> | | | | | | | | |
| 7:0 | R/W-0 | R/W-0 | R/W-0 | R/W-0 | R/W-0 | R/W-0 | R/W-0 | R/W-0 |
| NVMADDR<7:0> | | | | | | | | |

Legend:

R = Readable bit W = Writable bit U = Unimplemented bit, read as '0'
 -n = Value at POR '1' = Bit is set '0' = Bit is cleared x = Bit is unknown

bit 31-0 **NVMADDR<31:0>**: Flash Address bits
 Bulk/Chip/PFM Erase: Address is ignored.
 Page Erase: Address identifies the page to erase.
 Row Program: Address identifies the row to program.
 Word Program: Address identifies the word to program.

PIC32MX1XX/2XX 28/44-PIN XLP FAMILY

REGISTER 5-4: NVMDATA: FLASH PROGRAM DATA REGISTER

| Bit Range | Bit 31/23/15/7 | Bit 30/22/14/6 | Bit 29/21/13/5 | Bit 28/20/12/4 | Bit 27/19/11/3 | Bit 26/18/10/2 | Bit 25/17/9/1 | Bit 24/16/8/0 |
|----------------|----------------|----------------|----------------|----------------|----------------|----------------|---------------|---------------|
| 31:24 | R/W-0 | R/W-0 | R/W-0 | R/W-0 | R/W-0 | R/W-0 | R/W-0 | R/W-0 |
| NVMDATA<31:24> | | | | | | | | |
| 23:16 | R/W-0 | R/W-0 | R/W-0 | R/W-0 | R/W-0 | R/W-0 | R/W-0 | R/W-0 |
| NVMDATA<23:16> | | | | | | | | |
| 15:8 | R/W-0 | R/W-0 | R/W-0 | R/W-0 | R/W-0 | R/W-0 | R/W-0 | R/W-0 |
| NVMDATA<15:8> | | | | | | | | |
| 7:0 | R/W-0 | R/W-0 | R/W-0 | R/W-0 | R/W-0 | R/W-0 | R/W-0 | R/W-0 |
| NVMDATA<7:0> | | | | | | | | |

Legend:

R = Readable bit W = Writable bit U = Unimplemented bit, read as '0'
 -n = Value at POR '1' = Bit is set '0' = Bit is cleared x = Bit is unknown

bit 31-0 **NVMDATA<31:0>**: Flash Programming Data bits

Note: The bits in this register are only reset by a Power-on Reset (POR).

REGISTER 5-5: NVMSRCADDR: SOURCE DATA ADDRESS REGISTER

| Bit Range | Bit 31/23/15/7 | Bit 30/22/14/6 | Bit 29/21/13/5 | Bit 28/20/12/4 | Bit 27/19/11/3 | Bit 26/18/10/2 | Bit 25/17/9/1 | Bit 24/16/8/0 |
|-------------------|----------------|----------------|----------------|----------------|----------------|----------------|---------------|---------------|
| 31:24 | R/W-0 | R/W-0 | R/W-0 | R/W-0 | R/W-0 | R/W-0 | R/W-0 | R/W-0 |
| NVMSRCADDR<31:24> | | | | | | | | |
| 23:16 | R/W-0 | R/W-0 | R/W-0 | R/W-0 | R/W-0 | R/W-0 | R/W-0 | R/W-0 |
| NVMSRCADDR<23:16> | | | | | | | | |
| 15:8 | R/W-0 | R/W-0 | R/W-0 | R/W-0 | R/W-0 | R/W-0 | R/W-0 | R/W-0 |
| NVMSRCADDR<15:8> | | | | | | | | |
| 7:0 | R/W-0 | R/W-0 | R/W-0 | R/W-0 | R/W-0 | R/W-0 | R/W-0 | R/W-0 |
| NVMSRCADDR<7:0> | | | | | | | | |

Legend:

R = Readable bit W = Writable bit U = Unimplemented bit, read as '0'
 -n = Value at POR '1' = Bit is set '0' = Bit is cleared x = Bit is unknown

bit 31-0 **NVMSRCADDR<31:0>**: Source Data Address bits

The system physical address of the data to be programmed into the Flash when the NVMOP<3:0> bits (NVMSRCADDR<3:0>) are set to perform row programming.

PIC32MX1XX/2XX 28/44-PIN XLP FAMILY

NOTES:

PIC32MX1XX/2XX 28/44-PIN XLP FAMILY

6.0 RESETS

Note: This data sheet summarizes the features of the PIC32MX1XX/2XX 28/44-pin XLP Family of devices. It is not intended to be a comprehensive reference source. To complement the information in this data sheet, refer to **Section 7. “Resets”** (DS60001118), which is available from the *Documentation > Reference Manual* section of the Microchip PIC32 web site (www.microchip.com/pic32).

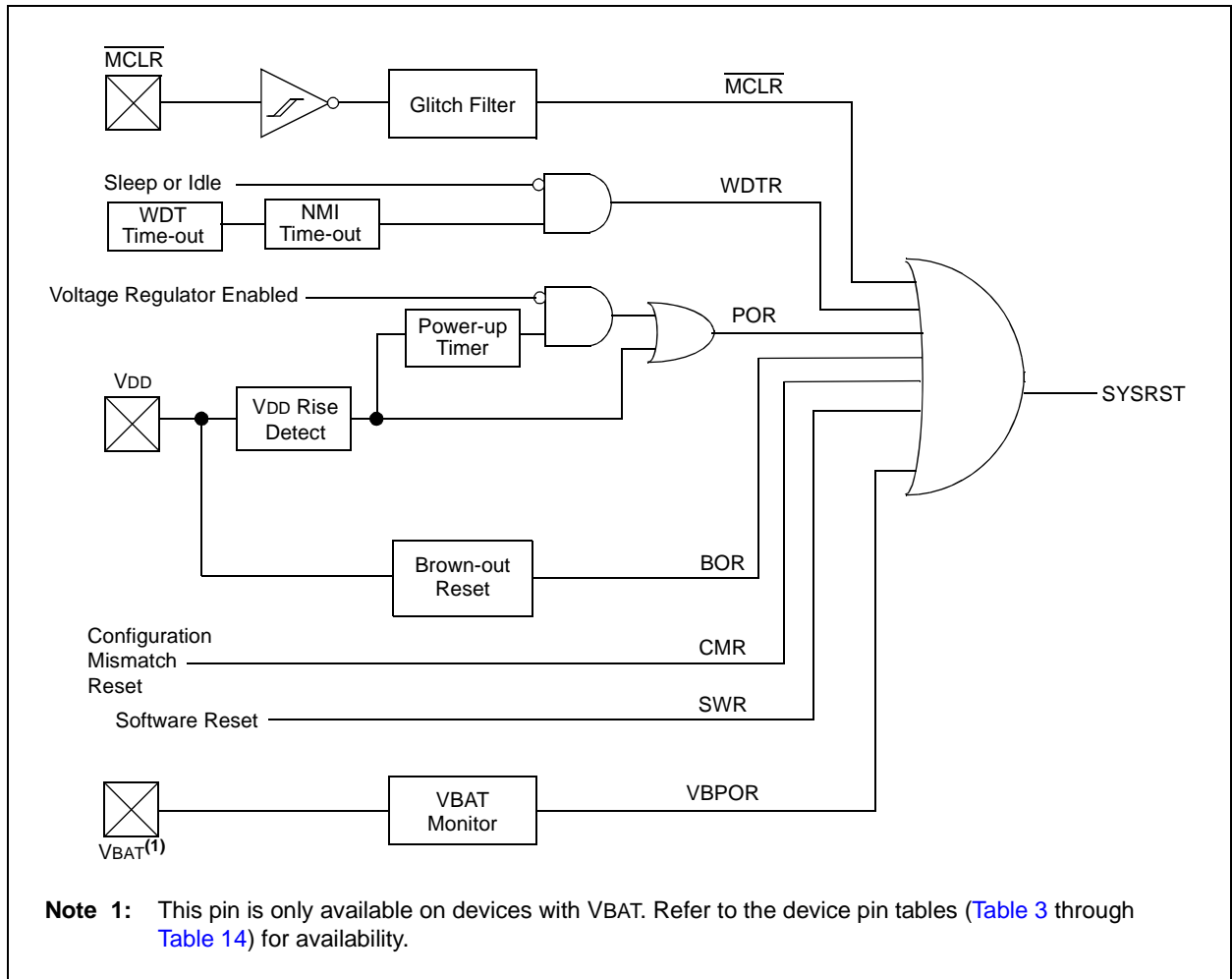
The Reset module combines all Reset sources and controls the device Master Reset signal, SYSRST. The device Reset sources are as follows:

- Power-on Reset (POR)
- Brown-out Reset (BOR)
- VBAT Power-on Reset (VBPOR)
- Master Clear Reset pin ($\overline{\text{MCLR}}$)
- Software Reset (SWR)
- Watchdog Timer Reset (WDTR)
- Configuration Mismatch Reset (CMR)

All device Reset will set a corresponding Status bit in the RCON register (see [Register 6-1](#)) to indicate the type of reset.

A simplified block diagram of the Reset module is illustrated in [Figure 6-1](#).

FIGURE 6-1: SYSTEM RESET BLOCK DIAGRAM



6.1 Reset Control Registers

TABLE 6-1: RESET CONTROL REGISTER MAP

| Virtual Address (BF80_#) | Register Name ⁽¹⁾ | Bit Range | Bits | | | | | | | | | | | | | | | All Resets | | |
|--------------------------|------------------------------|-----------|--------------|-------|-------|-------|---------|----------|------|------|-------|------|------|------|-------|------|------|----------------------|---------------------|-------|
| | | | 31/15 | 30/14 | 29/13 | 28/12 | 27/11 | 26/10 | 25/9 | 24/8 | 23/7 | 22/6 | 21/5 | 20/4 | 19/3 | 18/2 | 17/1 | | 16/0 | |
| F040 | RCON | 31:16 | — | — | — | — | BCFGERR | BCFGFAIL | — | — | — | — | — | — | — | — | — | VBPOR ⁽³⁾ | VBAT ⁽³⁾ | C802 |
| | | 15:0 | — | — | — | — | — | DPSLP | CMR | — | EXTR | SWR | — | WDTO | SLEEP | IDLE | BOR | POR | — | 0003 |
| F050 | RSWRST | 31:16 | — | — | — | — | — | — | — | — | — | — | — | — | — | — | — | — | — | 0000 |
| | | 15:0 | — | — | — | — | — | — | — | — | — | — | — | — | — | — | — | — | — | SWRST |
| F060 | RNMICON | 31:16 | — | — | — | — | — | — | — | WDTO | SWNMI | — | — | — | — | GNMI | HLVD | CF | WDTS | 0000 |
| | | 15:0 | NMICNT<15:0> | | | | | | | | | | | | | | | | | 0000 |
| F070 | PWRCON | 31:16 | — | — | — | — | — | — | — | — | — | — | — | — | — | — | — | — | — | 0000 |
| | | 15:0 | — | — | — | — | — | — | — | — | — | — | — | — | — | — | — | — | — | VREGS |

Legend: x = unknown value on Reset; — = unimplemented, read as '0'. Reset values are shown in hexadecimal.

- Note 1:** All registers in this table have corresponding CLR, SET and INV registers at their virtual addresses, plus offsets of 0x4, 0x8 and 0xC, respectively. See 12.2 “CLR, SET and INV Registers” for more information.
- Note 2:** Reset values are dependent on the DEVCFGx Configuration bits and the type of reset.
- Note 3:** This bit is only available on devices with VBAT.

PIC32MX1XX/2XX 28/44-PIN XLP FAMILY

REGISTER 6-1: RCON: RESET CONTROL REGISTER

| Bit Range | Bit 31/23/15/7 | Bit 30/22/14/6 | Bit 29/21/13/5 | Bit 28/20/12/4 | Bit 27/19/11/3 | Bit 26/18/10/2 | Bit 25/17/9/1 | Bit 24/16/8/0 |
|-----------|----------------|----------------|----------------|----------------|----------------|----------------------|----------------------|---------------------|
| 31:24 | U-0 | U-0 | U-0 | U-0 | RW-0, HC | R/W-0, HC | U-0 | U-0 |
| | — | — | — | — | BCFGERR | BCFGFAIL | — | — |
| 23:16 | U-0 | U-0 | U-0 | U-0 | U-0 | U-0 | R/W-1, HS | R/W-1, HS |
| | — | — | — | — | — | — | VBPOR ⁽²⁾ | VBAT ⁽²⁾ |
| 15:8 | U-0 | U-0 | U-0 | U-0 | U-0 | R/W-0, HS | R/W-0, HS | U-0 |
| | — | — | — | — | — | DPSLP ⁽¹⁾ | CMR | — |
| 7:0 | R/W-0, HS | R/W-0, HS | U-0 | R/W-0, HS | R/W-0, HS | R/W-0, HS | R/W-1, HS | R/W-1, HS |
| | EXTR | SWR | — | WDTO | SLEEP | IDLE | BOR ⁽¹⁾ | POR ⁽¹⁾ |

| | | |
|-------------------|-------------------|--|
| Legend: | HS = Hardware Set | HC = Hardware Cleared |
| R = Readable bit | W = Writable bit | U = Unimplemented bit, read as '0' |
| -n = Value at POR | '1' = Bit is set | '0' = Bit is cleared x = Bit is unknown |

- bit 31-29 **Unimplemented:** Read as '0'
- bit **Unimplemented:** Read as '0'
- bit 27 **BCFGERR:** Primary Configuration Registers Error Flag bit
 - 1 = An error occurred during a read of the primary configuration registers
 - 0 = No error occurred during a read of the primary configuration registers
- bit 26 **BCFGFAIL:** Primary/Secondary Configuration Registers Error Flag bit
 - 1 = An error occurred during a read of the primary and alternate configuration registers
 - 0 = No error occurred during a read of the primary and alternate configuration registers
- bit 25-18 **Unimplemented:** Read as '0'
- bit 17 **VBPOR:** VBPOR Mode Flag bit⁽²⁾
 - 1 = A VBAT domain POR has occurred
 - 0 = A VBAT domain POR has not occurred
- bit 16 **VBAT:** VBAT Mode Flag bit⁽²⁾
 - 1 = A POR exit from VBAT has occurred (a true POR must be established with the valid VBAT voltage on the VBAT pin)
 - 0 = A POR exit from VBAT has not occurred
- bit 15-11 **Unimplemented:** Read as '0'
- bit 10 **DPSLP:** Deep Sleep Mode Flag bit⁽¹⁾
 - 1 = Deep Sleep mode has occurred
 - 0 = Deep Sleep mode has not occurred
- bit 9 **CMR:** Configuration Mismatch Reset Flag bit
 - 1 = A Configuration Mismatch Reset has occurred
 - 0 = A Configuration Mismatch Reset has not occurred
- bit 8 **Unimplemented:** Read as '0'
- bit 7 **EXTR:** External Reset (\overline{MCLR}) Pin Flag bit
 - 1 = Master Clear (pin) Reset has occurred
 - 0 = Master Clear (pin) Reset has not occurred
- bit 6 **SWR:** Software Reset Flag bit
 - 1 = Software Reset was executed
 - 0 = Software Reset was not executed
- bit 5 **Unimplemented:** Read as '0'

- Note 1:** User software must clear this bit to view the next detection.
Note 2: This bit is only available on devices with VBAT.

PIC32MX1XX/2XX 28/44-PIN XLP FAMILY

REGISTER 6-1: RCON: RESET CONTROL REGISTER

- bit 4 **WDTO:** Watchdog Timer Time-out Flag bit
 1 = WDT Time-out has occurred
 0 = WDT Time-out has not occurred
- bit 3 **SLEEP:** Wake From Sleep Flag bit
 1 = Device was in Sleep mode
 0 = Device was not in Sleep mode
- bit 2 **IDLE:** Wake From Idle Flag bit
 1 = Device was in Idle mode
 0 = Device was not in Idle mode
- bit 1 **BOR:** Brown-out Reset Flag bit⁽¹⁾
 1 = Brown-out Reset has occurred
 0 = Brown-out Reset has not occurred
- bit 0 **POR:** Power-on Reset Flag bit⁽¹⁾
 1 = Power-on Reset has occurred
 0 = Power-on Reset has not occurred

- Note 1:** User software must clear this bit to view the next detection.
2: This bit is only available on devices with VBAT.

PIC32MX1XX/2XX 28/44-PIN XLP FAMILY

REGISTER 6-2: RSWRST: SOFTWARE RESET REGISTER

| Bit Range | Bit 31/23/15/7 | Bit 30/22/14/6 | Bit 29/21/13/5 | Bit 28/20/12/4 | Bit 27/19/11/3 | Bit 26/18/10/2 | Bit 25/17/9/1 | Bit 24/16/8/0 |
|-----------|----------------|----------------|----------------|----------------|----------------|----------------|---------------|------------------------|
| 31:24 | U-0 | U-0 | U-0 | U-0 | U-0 | U-0 | U-0 | U-0 |
| | — | — | — | — | — | — | — | — |
| 23:16 | U-0 | U-0 | U-0 | U-0 | U-0 | U-0 | U-0 | U-0 |
| | — | — | — | — | — | — | — | — |
| 15:8 | U-0 | U-0 | U-0 | U-0 | U-0 | U-0 | U-0 | U-0 |
| | — | — | — | — | — | — | — | — |
| 7:0 | U-0 | U-0 | U-0 | U-0 | U-0 | U-0 | U-0 | W-0, HC |
| | — | — | — | — | — | — | — | SWRST ^(1,2) |

| | |
|-------------------|--|
| Legend: | HC = Hardware Cleared |
| R = Readable bit | W = Writable bit U = Unimplemented bit, read as '0' |
| -n = Value at POR | '1' = Bit is set '0' = Bit is cleared x = Bit is unknown |

- bit 31-1 **Unimplemented:** Read as '0'
- bit 0 **SWRST:** Software Reset Trigger bit^(1,2)
 - 1 = Enable software Reset event
 - 0 = No effect

- Note 1:** The system unlock sequence must be performed before the SWRST bit can be written. Refer to **Section 42. "Oscillators with Enhanced PLL"** (DS60001250) in the *"PIC32 Family Reference Manual"* for details.
- 2:** Once this bit is set, any read of the RSWRST register will cause a reset to occur.

PIC32MX1XX/2XX 28/44-PIN XLP FAMILY

REGISTER 6-3: RNMICON: NON-MASKABLE INTERRUPT (NMI) CONTROL REGISTER

| Bit Range | Bit 31/23/15/7 | Bit 30/22/14/6 | Bit 29/21/13/5 | Bit 28/20/12/4 | Bit 27/19/11/3 | Bit 26/18/10/2 | Bit 25/17/9/1 | Bit 24/16/8/0 |
|-----------|----------------|----------------|----------------|----------------|----------------|----------------|---------------|---------------|
| 31:24 | U-0 | U-0 | U-0 | U-0 | U-0 | U-0 | U-0 | R/W-0 |
| | — | — | — | — | — | — | — | WDTO |
| 23:16 | R/W-0 | U-0 | U-0 | U-0 | R/W-0 | R/W-0 | R/W-0 | R/W-0 |
| | SWNMI | — | — | — | GNMI | HLVD | CF | WDTS |
| 15:8 | R/W-0 | R/W-0 | R/W-0 | R/W-0 | R/W-0 | R/W-0 | R/W-0 | R/W-0 |
| | NMI_CNT<15:8> | | | | | | | |
| 7:0 | R/W-0 | R/W-0 | R/W-0 | R/W-0 | R/W-0 | R/W-0 | R/W-0 | R/W-0 |
| | NMI_CNT<7:0> | | | | | | | |

Legend:

R = Readable bit W = Writable bit U = Unimplemented bit, read as '0'
-n = Value at POR '1' = Bit is set '0' = Bit is cleared x = Bit is unknown

- bit 31-25 **Unimplemented:** Read as '0'
- bit 24 **WDTO:** Watchdog Timer Time-Out Flag bit
1 = WDT time-out has occurred and caused a NMI
0 = WDT time-out has not occurred
Setting this bit will cause a WDT NMI event, and NMI_CNT will begin counting.
- bit 23 **SWNMI:** Software NMI Trigger.
1 = An NMI will be generated
0 = An NMI will not be generated
- bit 22-20 **Unimplemented:** Read as '0'
- bit 19 **GNMI:** General NMI bit
1 = A general NMI event has been detected or a user-initiated NMI event has occurred
0 = A general NMI event has not been detected

Setting GNMI to a '1' causes a user-initiated NMI event. This bit is also set by writing 0x4E to the NMIKEY<7:0> (INTCON<31:24>) bits.
- bit 18 **HLVD:** High/Low-Voltage Detect bit
1 = HLVD has detected a low-voltage condition and caused an NMI
0 = HLVD has not detected a low-voltage condition
- bit 17 **CF:** Clock Fail Detect bit
1 = FSCM has detected clock failure and caused an NMI
0 = FSCM has not detected clock failure

Setting this bit will cause a CF NMI event.
- bit 16 **WDTS:** Watchdog Timer Time-out in Sleep Mode Flag bit
1 = WDT time-out has occurred during Sleep mode and caused a wake-up from sleep
0 = WDT time-out has not occurred during Sleep mode
Setting this bit will cause a WDT NMI.
- bit 15-0 **NMI_CNT<15:0>:** NMI Reset Counter Value bits
These bits specify the reload value used by the NMI reset counter.
1111111111111111-0000000000000001 = Number of SYSCLK cycles before a device Reset occurs⁽¹⁾
0000000000000000 = No delay between NMI assertion and device Reset event

Note 1: If a Watchdog Timer NMI event (when not in Sleep mode) is cleared before this counter reaches '0', no device Reset is asserted. This NMI reset counter is only applicable to these two specific NMI events.

Note: The system unlock sequence must be performed before the SWRST bit can be written. Refer to **Section 42. “Oscillators with Enhanced PLL”** (DS60001250) in the *“PIC32 Family Reference Manual”* for details.

PIC32MX1XX/2XX 28/44-PIN XLP FAMILY

REGISTER 6-4: PWRCON: POWER CONTROL REGISTER

| Bit Range | Bit 31/23/15/7 | Bit 30/22/14/6 | Bit 29/21/13/5 | Bit 28/20/12/4 | Bit 27/19/11/3 | Bit 26/18/10/2 | Bit 25/17/9/1 | Bit 24/16/8/0 |
|-----------|----------------|----------------|----------------|----------------|----------------|----------------|---------------|---------------|
| 31:24 | U-0 | U-0 | U-0 | U-0 | U-0 | U-0 | U-0 | U-0 |
| | — | — | — | — | — | — | — | — |
| 23:16 | U-0 | U-0 | U-0 | U-0 | U-0 | U-0 | U-0 | U-0 |
| | — | — | — | — | — | — | — | — |
| 15:8 | U-0 | U-0 | U-0 | U-0 | U-0 | U-0 | U-0 | U-0 |
| | — | — | — | — | — | — | — | — |
| 7:0 | U-0 | U-0 | U-0 | U-0 | U-0 | U-0 | U-0 | R/W-0 |
| | — | — | — | — | — | — | — | VREGS |

Legend:

| | | |
|-------------------|------------------|--|
| R = Readable bit | W = Writable bit | U = Unimplemented bit, read as '0' |
| -n = Value at POR | '1' = Bit is set | '0' = Bit is cleared x = Bit is unknown |

bit 31-1 **Unimplemented:** Read as '0'

bit 0 **VREGS:** Voltage Regulator Stand-by Enable bit
 1 = Voltage regulator will remain active during Sleep
 0 = Voltage regulator will go to Stand-by mode during Sleep

PIC32MX1XX/2XX 28/44-PIN XLP FAMILY

NOTES:

PIC32MX1XX/2XX 28/44-PIN XLP FAMILY

7.0 INTERRUPT CONTROLLER

Note: This data sheet summarizes the features of the PIC32MX1XX/2XX 28/44-pin XLP Family of devices. It is not intended to be a comprehensive reference source. To complement the information in this data sheet, refer to **Section 8. “Interrupt Controller”** (DS60001108), which is available from the *Documentation > Reference Manual* section of the Microchip PIC32 web site (www.microchip.com/pic32).

PIC32MX1XX/2XX 28/44-pin XLP Family devices generate interrupt requests in response to interrupt events from peripheral modules. The interrupt control module exists externally to the CPU logic and prioritizes the interrupt events before presenting them to the CPU.

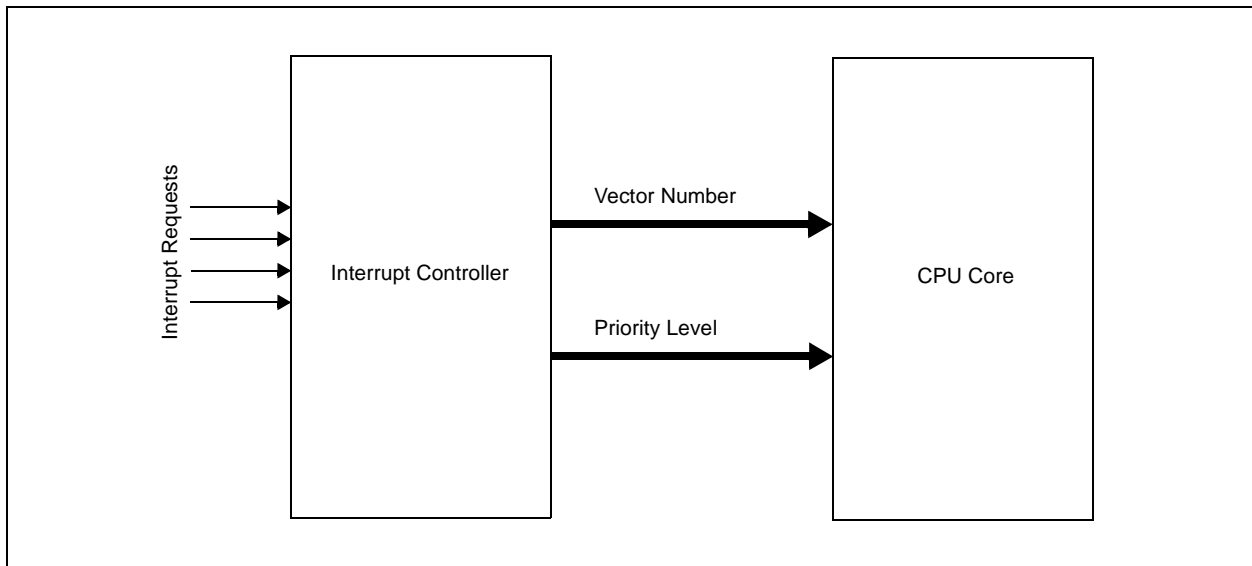
The PIC32MX1XX/2XX 28/44-pin XLP Family interrupt module includes the following features:

- Up to 64 interrupt sources
- Up to 44 interrupt vectors
- Single and multi-vector mode operations
- Five external interrupts with edge polarity control
- Interrupt proximity timer
- Seven user-selectable priority levels for each vector
- Four user-selectable subpriority levels within each priority
- Software can generate any interrupt
- User-configurable Interrupt Vector Table (IVT) location
- User-configurable interrupt vector spacing

Note: The dedicated shadow register set is not present on PIC32MX1XX/2XX 28/44-pin XLP Family devices.

A simplified block diagram of the Interrupt Controller module is illustrated in [Figure 7-1](#).

FIGURE 7-1: INTERRUPT CONTROLLER MODULE BLOCK DIAGRAM



PIC32MX1XX/2XX 28/44-PIN XLP FAMILY

TABLE 7-1: INTERRUPT IRQ, VECTOR AND BIT LOCATION

| Interrupt Source ⁽¹⁾ | IRQ # | Vector # | Interrupt Bit Location | | | | Persistent Interrupt |
|-------------------------------------|-------|----------|------------------------|----------|-------------|--------------|----------------------|
| | | | Flag | Enable | Priority | Sub-priority | |
| Highest Natural Order Priority | | | | | | | |
| CT – Core Timer Interrupt | 0 | 0 | IFS0<0> | IEC0<0> | IPC0<4:2> | IPC0<1:0> | No |
| CS0 – Core Software Interrupt 0 | 1 | 1 | IFS0<1> | IEC0<1> | IPC0<12:10> | IPC0<9:8> | No |
| CS1 – Core Software Interrupt 1 | 2 | 2 | IFS0<2> | IEC0<2> | IPC0<20:18> | IPC0<17:16> | No |
| INT0 – External Interrupt | 3 | 3 | IFS0<3> | IEC0<3> | IPC0<28:26> | IPC0<25:24> | No |
| T1 – Timer1 | 4 | 4 | IFS0<4> | IEC0<4> | IPC1<4:2> | IPC1<1:0> | No |
| IC1E – Input Capture 1 Error | 5 | 5 | IFS0<5> | IEC0<5> | IPC1<12:10> | IPC1<9:8> | Yes |
| IC1 – Input Capture 1 | 6 | 5 | IFS0<6> | IEC0<6> | IPC1<12:10> | IPC1<9:8> | Yes |
| OC1 – Output Compare 1 | 7 | 6 | IFS0<7> | IEC0<7> | IPC1<20:18> | IPC1<17:16> | No |
| INT1 – External Interrupt 1 | 8 | 7 | IFS0<8> | IEC0<8> | IPC1<28:26> | IPC1<25:24> | No |
| T2 – Timer2 | 9 | 8 | IFS0<9> | IEC0<9> | IPC2<4:2> | IPC2<1:0> | No |
| IC2E – Input Capture 2 Error | 10 | 9 | IFS0<10> | IEC0<10> | IPC2<12:10> | IPC2<9:8> | Yes |
| IC2 – Input Capture 2 | 11 | 9 | IFS0<11> | IEC0<11> | IPC2<12:10> | IPC2<9:8> | Yes |
| OC2 – Output Compare 2 | 12 | 10 | IFS0<12> | IEC0<12> | IPC2<20:18> | IPC2<17:16> | No |
| INT2 – External Interrupt 2 | 13 | 11 | IFS0<13> | IEC0<13> | IPC2<28:26> | IPC2<25:24> | No |
| T3 – Timer3 | 14 | 12 | IFS0<14> | IEC0<14> | IPC3<4:2> | IPC3<1:0> | No |
| IC3E – Input Capture 3 Error | 15 | 13 | IFS0<15> | IEC0<15> | IPC3<12:10> | IPC3<9:8> | Yes |
| IC3 – Input Capture 3 | 16 | 13 | IFS0<16> | IEC0<16> | IPC3<12:10> | IPC3<9:8> | Yes |
| OC3 – Output Compare 3 | 17 | 14 | IFS0<17> | IEC0<17> | IPC3<20:18> | IPC3<17:16> | No |
| INT3 – External Interrupt 3 | 18 | 15 | IFS0<18> | IEC0<18> | IPC3<28:26> | IPC3<25:24> | No |
| T4 – Timer4 | 19 | 16 | IFS0<19> | IEC0<19> | IPC4<4:2> | IPC4<1:0> | No |
| IC4E – Input Capture 4 Error | 20 | 17 | IFS0<20> | IEC0<20> | IPC4<12:10> | IPC4<9:8> | Yes |
| IC4 – Input Capture 4 | 21 | 17 | IFS0<21> | IEC0<21> | IPC4<12:10> | IPC4<9:8> | Yes |
| OC4 – Output Compare 4 | 22 | 18 | IFS0<22> | IEC0<22> | IPC4<20:18> | IPC4<17:16> | No |
| INT4 – External Interrupt 4 | 23 | 19 | IFS0<23> | IEC0<23> | IPC4<28:26> | IPC4<25:24> | No |
| T5 – Timer5 | 24 | 20 | IFS0<24> | IEC0<24> | IPC5<4:2> | IPC5<1:0> | No |
| IC5E – Input Capture 5 Error | 25 | 21 | IFS0<25> | IEC0<25> | IPC5<12:10> | IPC5<9:8> | Yes |
| IC5 – Input Capture 5 | 26 | 21 | IFS0<26> | IEC0<26> | IPC5<12:10> | IPC5<9:8> | Yes |
| OC5 – Output Compare 5 | 27 | 22 | IFS0<27> | IEC0<27> | IPC5<20:18> | IPC5<17:16> | No |
| AD1 – ADC1 Convert done | 28 | 23 | IFS0<28> | IEC0<28> | IPC5<28:26> | IPC5<25:24> | Yes |
| FSCM – Fail-Safe Clock Monitor | 29 | 24 | IFS0<29> | IEC0<29> | IPC6<4:2> | IPC6<1:0> | No |
| RTCC – Real-Time Clock and Calendar | 30 | 25 | IFS0<30> | IEC0<30> | IPC6<12:10> | IPC6<9:8> | No |
| FCE – Flash Control Event | 31 | 26 | IFS0<31> | IEC0<31> | IPC6<20:18> | IPC6<17:16> | No |
| CMP1 – Comparator Interrupt | 32 | 27 | IFS1<0> | IEC1<0> | IPC6<28:26> | IPC6<25:24> | No |
| CMP2 – Comparator Interrupt | 33 | 28 | IFS1<1> | IEC1<1> | IPC7<4:2> | IPC7<1:0> | No |
| CMP3 – Comparator Interrupt | 34 | 29 | IFS1<2> | IEC1<2> | IPC7<12:10> | IPC7<9:8> | No |
| USB – USB Interrupts | 35 | 30 | IFS1<3> | IEC1<3> | IPC7<20:18> | IPC7<17:16> | Yes |
| SPI1E – SPI1 Fault | 36 | 31 | IFS1<4> | IEC1<4> | IPC7<28:26> | IPC7<25:24> | Yes |
| SPI1RX – SPI1 Receive Done | 37 | 31 | IFS1<5> | IEC1<5> | IPC7<28:26> | IPC7<25:24> | Yes |
| SPI1TX – SPI1 Transfer Done | 38 | 31 | IFS1<6> | IEC1<6> | IPC7<28:26> | IPC7<25:24> | Yes |

Note 1: Not all interrupt sources are available on all devices. See [TABLE 1: “PIC32MX1XX 28/44-Pin XLP \(General Purpose\) Family Features”](#) and [TABLE 2: “PIC32MX2XX 28/44-Pin XLP \(USB\) Family Features”](#) for the lists of available peripherals.

PIC32MX1XX/2XX 28/44-PIN XLP FAMILY

TABLE 7-1: INTERRUPT IRQ, VECTOR AND BIT LOCATION (CONTINUED)

| Interrupt Source ⁽¹⁾ | IRQ # | Vector # | Interrupt Bit Location | | | | Persistent Interrupt |
|------------------------------------|-------|----------|------------------------|----------|--------------|--------------|----------------------|
| | | | Flag | Enable | Priority | Sub-priority | |
| U1E – UART1 Fault | 39 | 32 | IFS1<7> | IEC1<7> | IPC8<4:2> | IPC8<1:0> | Yes |
| U1RX – UART1 Receive Done | 40 | 32 | IFS1<8> | IEC1<8> | IPC8<4:2> | IPC8<1:0> | Yes |
| U1TX – UART1 Transfer Done | 41 | 32 | IFS1<9> | IEC1<9> | IPC8<4:2> | IPC8<1:0> | Yes |
| I2C1B – I2C1 Bus Collision Event | 42 | 33 | IFS1<10> | IEC1<10> | IPC8<12:10> | IPC8<9:8> | Yes |
| I2C1S – I2C1 Slave Event | 43 | 33 | IFS1<11> | IEC1<11> | IPC8<12:10> | IPC8<9:8> | Yes |
| I2C1M – I2C1 Master Event | 44 | 33 | IFS1<12> | IEC1<12> | IPC8<12:10> | IPC8<9:8> | Yes |
| CNA – PORTA Input Change Interrupt | 45 | 34 | IFS1<13> | IEC1<13> | IPC8<20:18> | IPC8<17:16> | Yes |
| CNB – PORTB Input Change Interrupt | 46 | 34 | IFS1<14> | IEC1<14> | IPC8<20:18> | IPC8<17:16> | Yes |
| CNC – PORTC Input Change Interrupt | 47 | 34 | IFS1<15> | IEC1<15> | IPC8<20:18> | IPC8<17:16> | Yes |
| PMP – Parallel Master Port | 48 | 35 | IFS1<16> | IEC1<16> | IPC8<28:26> | IPC8<25:24> | Yes |
| PMPE – Parallel Master Port Error | 49 | 35 | IFS1<17> | IEC1<17> | IPC8<28:26> | IPC8<25:24> | Yes |
| SPI2E – SPI2 Fault | 50 | 36 | IFS1<18> | IEC1<18> | IPC9<4:2> | IPC9<1:0> | Yes |
| SPI2RX – SPI2 Receive Done | 51 | 36 | IFS1<19> | IEC1<19> | IPC9<4:2> | IPC9<1:0> | Yes |
| SPI2TX – SPI2 Transfer Done | 52 | 36 | IFS1<20> | IEC1<20> | IPC9<4:2> | IPC9<1:0> | Yes |
| U2E – UART2 Error | 53 | 37 | IFS1<21> | IEC1<21> | IPC9<12:10> | IPC9<9:8> | Yes |
| U2RX – UART2 Receiver | 54 | 37 | IFS1<22> | IEC1<22> | IPC9<12:10> | IPC9<9:8> | Yes |
| U2TX – UART2 Transmitter | 55 | 37 | IFS1<23> | IEC1<23> | IPC9<12:10> | IPC9<9:8> | Yes |
| I2C2B – I2C2 Bus Collision Event | 56 | 38 | IFS1<24> | IEC1<24> | IPC9<20:18> | IPC9<17:16> | Yes |
| I2C2S – I2C2 Slave Event | 57 | 38 | IFS1<25> | IEC1<25> | IPC9<20:18> | IPC9<17:16> | Yes |
| I2C2M – I2C2 Master Event | 58 | 38 | IFS1<26> | IEC1<26> | IPC9<20:18> | IPC9<17:16> | Yes |
| CTMU – CTMU Event | 59 | 39 | IFS1<27> | IEC1<27> | IPC9<28:26> | IPC9<25:24> | Yes |
| DMA0 – DMA Channel 0 | 60 | 40 | IFS1<28> | IEC1<28> | IPC10<4:2> | IPC10<1:0> | No |
| DMA1 – DMA Channel 1 | 61 | 41 | IFS1<29> | IEC1<29> | IPC10<12:10> | IPC10<9:8> | No |
| DMA2 – DMA Channel 2 | 62 | 42 | IFS1<30> | IEC1<30> | IPC10<20:18> | IPC10<17:16> | No |
| DMA3 – DMA Channel 3 | 63 | 43 | IFS1<31> | IEC1<31> | IPC10<28:26> | IPC10<25:24> | No |
| Lowest Natural Order Priority | | | | | | | |

Note 1: Not all interrupt sources are available on all devices. See [TABLE 1: “PIC32MX1XX 28/44-Pin XLP \(General Purpose\) Family Features”](#) and [TABLE 2: “PIC32MX2XX 28/44-Pin XLP \(USB\) Family Features”](#) for the lists of available peripherals.

7.1 Interrupt Control Registers

TABLE 7-2: INTERRUPT REGISTER MAP

| Virtual Address (BF88.#) | Register Name ⁽¹⁾ | Bit Range | Bits | | | | | | | | | | | | | | | All Resets | |
|-----------------------------|---------------------------------|-----------|-------------|--------|--------|-------------|---------|------------|-------------|---------|--------|----------|----------|----------|----------------------|---------|-------------|---------------|------|
| | | | 31/15 | 30/14 | 29/13 | 28/12 | 27/11 | 26/10 | 25/9 | 24/8 | 23/7 | 22/6 | 21/5 | 20/4 | 19/3 | 18/2 | 17/1 | | 16/0 |
| 1000 | INTCON | 31:16 | — | — | — | — | — | — | — | — | — | — | — | — | — | — | — | — | 0000 |
| | | 15:0 | — | — | — | MVEC | — | TPC<2:0> | | | — | — | — | INT4EP | INT3EP | INT2EP | INT1EP | INT0EP | 0000 |
| 1010 | INTSTAT ⁽³⁾ | 31:16 | — | — | — | — | — | — | — | — | — | — | — | — | — | — | — | — | 0000 |
| | | 15:0 | — | — | — | — | — | SRIPL<2:0> | | | — | — | VEC<5:0> | | | | | 0000 | |
| 1020 | IPTMR | 31:16 | IPTMR<31:0> | | | | | | | | | | | | | | | 0000 | |
| | | 15:0 | | | | | | | | | | | | | | | | 0000 | |
| 1030 | IFS0 | 31:16 | FCEIF | RTCCIF | FSCMIF | AD1IF | OC5IF | IC5IF | IC5EIF | T5IF | INT4IF | OC4IF | IC4IF | IC4EIF | T4IF | INT3IF | OC3IF | IC3IF | 0000 |
| | | 15:0 | IC3EIF | T3IF | INT2IF | OC2IF | IC2IF | IC2EIF | T2IF | INT1IF | OC1IF | IC1IF | IC1EIF | T1IF | INT0IF | CS1IF | CS0IF | CTIF | 0000 |
| 1040 | IFS1 | 31:16 | DMA3IF | DMA2IF | DMA1IF | DMA0IF | CTMUIF | I2C2MIF | I2C2SIF | I2C2BIF | U2TXIF | U2RXIF | U2EIF | SPI2TXIF | SPI2RXIF | SPI2EIF | PMPEIF | PMPIF | 0000 |
| | | 15:0 | CNCIF | CNBIF | CNAIF | I2C1MIF | I2C1SIF | I2C1BIF | U1TXIF | U1RXIF | U1EIF | SPI1TXIF | SPI1RXIF | SPI1EIF | USBF ⁽²⁾ | CMP3IF | CMP2IF | CMP1IF | 0000 |
| 1060 | IEC0 | 31:16 | FCEIE | RTCCIE | FSCMIE | AD1IE | OC5IE | IC5IE | IC5EIE | T5IE | INT4IE | OC4IE | IC4IE | IC4EIE | T4IE | INT3IE | OC3IE | IC3IE | 0000 |
| | | 15:0 | IC3EIE | T3IE | INT2IE | OC2IE | IC2IE | IC2EIE | T2IE | INT1IE | OC1IE | IC1IE | IC1EIE | T1IE | INT0IE | CS1IE | CS0IE | CTIE | 0000 |
| 1070 | IEC1 | 31:16 | DMA3IE | DMA2IE | DMA1IE | DMA0IE | CTMUIE | I2C2MIE | I2C2SIE | I2C2BIE | U2TXIE | U2RXIE | U2EIE | SPI2TXIE | SPI2RXIE | SPI2EIE | PMPEIE | PMPIE | 0000 |
| | | 15:0 | CNCIE | CNBIE | CNAIE | I2C1MIE | I2C1SIE | I2C1BIE | U1TXIE | U1RXIE | U1EIE | SPI1TXIE | SPI1RXIE | SPI1EIE | USBIE ⁽²⁾ | CMP3IE | CMP2IE | CMP1IE | 0000 |
| 1090 | IPC0 | 31:16 | — | — | — | INT0IP<2:0> | | | INT0IS<1:0> | | | — | — | — | CS1IP<2:0> | | CS1IS<1:0> | 0000 | |
| | | 15:0 | — | — | — | CS0IP<2:0> | | | CS0IS<1:0> | | | — | — | — | CTIP<2:0> | | CTIS<1:0> | 0000 | |
| 10A0 | IPC1 | 31:16 | — | — | — | INT1IP<2:0> | | | INT1IS<1:0> | | | — | — | — | OC1IP<2:0> | | OC1IS<1:0> | 0000 | |
| | | 15:0 | — | — | — | IC1IP<2:0> | | | IC1IS<1:0> | | | — | — | — | T1IP<2:0> | | T1IS<1:0> | 0000 | |
| 10B0 | IPC2 | 31:16 | — | — | — | INT2IP<2:0> | | | INT2IS<1:0> | | | — | — | — | OC2IP<2:0> | | OC2IS<1:0> | 0000 | |
| | | 15:0 | — | — | — | IC2IP<2:0> | | | IC2IS<1:0> | | | — | — | — | T2IP<2:0> | | T2IS<1:0> | 0000 | |
| 10C0 | IPC3 | 31:16 | — | — | — | INT3IP<2:0> | | | INT3IS<1:0> | | | — | — | — | OC3IP<2:0> | | OC3IS<1:0> | 0000 | |
| | | 15:0 | — | — | — | IC3IP<2:0> | | | IC3IS<1:0> | | | — | — | — | T3IP<2:0> | | T3IS<1:0> | 0000 | |
| 10D0 | IPC4 | 31:16 | — | — | — | INT4IP<2:0> | | | INT4IS<1:0> | | | — | — | — | OC4IP<2:0> | | OC4IS<1:0> | 0000 | |
| | | 15:0 | — | — | — | IC4IP<2:0> | | | IC4IS<1:0> | | | — | — | — | T4IP<2:0> | | T4IS<1:0> | 0000 | |
| 10E0 | IPC5 | 31:16 | — | — | — | AD1IP<2:0> | | | AD1IS<1:0> | | | — | — | — | OC5IP<2:0> | | OC5IS<1:0> | 0000 | |
| | | 15:0 | — | — | — | IC5IP<2:0> | | | IC5IS<1:0> | | | — | — | — | T5IP<2:0> | | T5IS<1:0> | 0000 | |
| 10F0 | IPC6 | 31:16 | — | — | — | CMP1IP<2:0> | | | CMP1IS<1:0> | | | — | — | — | FCEIP<2:0> | | FCEIS<1:0> | 0000 | |
| | | 15:0 | — | — | — | RTCCIP<2:0> | | | RTCCIS<1:0> | | | — | — | — | FSCMIP<2:0> | | FSCMIS<1:0> | 0000 | |

Legend: x = unknown value on Reset; — = unimplemented, read as '0'. Reset values are shown in hexadecimal.

- Note 1:** With the exception of those noted, all registers in this table have corresponding CLR, SET and INV registers at their virtual addresses, plus offsets of 0x4 0x8 and 0xC, respectively. See [12.2 “CLR, SET and INV Registers”](#) for more information.
- 2:** These bits are not available on PIC32MX1XX devices.
- 3:** This register does not have associated CLR, SET, INV registers.

TABLE 7-2: INTERRUPT REGISTER MAP (CONTINUED)

| Virtual Address (BF88_#) | Register Name ⁽¹⁾ | Bit Range | Bits | | | | | | | | | | | | | | All Resets | | |
|-----------------------------|---------------------------------|-----------|-------|-------|-------|-------------|-------|-------|-------------|------|------|------|------|------|---------------------------|------|---------------------------|------|------|
| | | | 31/15 | 30/14 | 29/13 | 28/12 | 27/11 | 26/10 | 25/9 | 24/8 | 23/7 | 22/6 | 21/5 | 20/4 | 19/3 | 18/2 | | 17/1 | 16/0 |
| 1100 | IPC7 | 31:16 | — | — | — | SPI1IP<2:0> | | | SPI1IS<1:0> | | | — | — | — | USBIP<2:0> ⁽²⁾ | | USBIS<1:0> ⁽²⁾ | | 0000 |
| | | 15:0 | — | — | — | CMP3IP<2:0> | | | CMP3IS<1:0> | | | — | — | — | CMP2IP<2:0> | | CMP2IS<1:0> | | 0000 |
| 1110 | IPC8 | 31:16 | — | — | — | PMPIP<2:0> | | | PMPIS<1:0> | | | — | — | — | CNIP<2:0> | | CNIS<1:0> | | 0000 |
| | | 15:0 | — | — | — | I2C1IP<2:0> | | | I2C1IS<1:0> | | | — | — | — | U1IP<2:0> | | U1IS<1:0> | | 0000 |
| 1120 | IPC9 | 31:16 | — | — | — | CTMUIP<2:0> | | | CTMUIS<1:0> | | | — | — | — | I2C2IP<2:0> | | I2C2IS<1:0> | | 0000 |
| | | 15:0 | — | — | — | U2IP<2:0> | | | U2IS<1:0> | | | — | — | — | SPI2IP<2:0> | | SPI2IS<1:0> | | 0000 |
| 1130 | IPC10 | 31:16 | — | — | — | DMA3IP<2:0> | | | DMA3IS<1:0> | | | — | — | — | DMA2IP<2:0> | | DMA2IS<1:0> | | 0000 |
| | | 15:0 | — | — | — | DMA1IP<2:0> | | | DMA1IS<1:0> | | | — | — | — | DMA0IP<2:0> | | DMA0IS<1:0> | | 0000 |

Legend: x = unknown value on Reset; — = unimplemented, read as '0'. Reset values are shown in hexadecimal.

- Note 1:** With the exception of those noted, all registers in this table have corresponding CLR, SET and INV registers at their virtual addresses, plus offsets of 0x4 0x8 and 0xC, respectively. See [12.2 “CLR, SET and INV Registers”](#) for more information.
- 2:** These bits are not available on PIC32MX1XX devices.
- 3:** This register does not have associated CLR, SET, INV registers.

PIC32MX1XX/2XX 28/44-PIN XLP FAMILY

REGISTER 7-1: INTCON: INTERRUPT CONTROL REGISTER

| Bit Range | Bit 31/23/15/7 | Bit 30/22/14/6 | Bit 29/21/13/5 | Bit 28/20/12/4 | Bit 27/19/11/3 | Bit 26/18/10/2 | Bit 25/17/9/1 | Bit 24/16/8/0 |
|-----------|----------------|----------------|----------------|-----------------|-----------------|-----------------|-----------------|-----------------|
| 31:24 | U-0 — | U-0 — | U-0 — | U-0 — | U-0 — | U-0 — | U-0 — | U-0 — |
| 23:16 | U-0 — | U-0 — | U-0 — | U-0 — | U-0 — | U-0 — | U-0 — | U-0 — |
| 15:8 | U-0 — | U-0 — | U-0 — | R/W-0 MVEC | U-0 — | R/W-0 | R/W-0 | R/W-0 |
| 7:0 | U-0 — | U-0 — | U-0 — | R/W-0 INT4EP | R/W-0 INT3EP | R/W-0 INT2EP | R/W-0 INT1EP | R/W-0 INT0EP |

Legend:

R = Readable bit W = Writable bit U = Unimplemented bit, read as '0'
 -n = Value at POR '1' = Bit is set '0' = Bit is cleared x = Bit is unknown

bit 31-16 **Unimplemented:** Read as '0'

bit 15-13 **Unimplemented:** Read as '0'

bit 12 **MVEC:** Multi Vector Configuration bit

- 1 = Interrupt controller configured for Multi-vector mode
- 0 = Interrupt controller configured for Single-vector mode

bit 11 **Unimplemented:** Read as '0'

bit 10-8 **TPC<2:0>:** Interrupt Proximity Timer Control bits

- 111 = Interrupts of group priority 7 or lower start the Interrupt Proximity timer
- 110 = Interrupts of group priority 6 or lower start the Interrupt Proximity timer
- 101 = Interrupts of group priority 5 or lower start the Interrupt Proximity timer
- 100 = Interrupts of group priority 4 or lower start the Interrupt Proximity timer
- 011 = Interrupts of group priority 3 or lower start the Interrupt Proximity timer
- 010 = Interrupts of group priority 2 or lower start the Interrupt Proximity timer
- 001 = Interrupts of group priority 1 start the Interrupt Proximity timer
- 000 = Disables Interrupt Proximity timer

bit 7-5 **Unimplemented:** Read as '0'

bit 4 **INT4EP:** External Interrupt 4 Edge Polarity Control bit

- 1 = Rising edge
- 0 = Falling edge

bit 3 **INT3EP:** External Interrupt 3 Edge Polarity Control bit

- 1 = Rising edge
- 0 = Falling edge

bit 2 **INT2EP:** External Interrupt 2 Edge Polarity Control bit

- 1 = Rising edge
- 0 = Falling edge

bit 1 **INT1EP:** External Interrupt 1 Edge Polarity Control bit

- 1 = Rising edge
- 0 = Falling edge

bit 0 **INT0EP:** External Interrupt 0 Edge Polarity Control bit

- 1 = Rising edge
- 0 = Falling edge

PIC32MX1XX/2XX 28/44-PIN XLP FAMILY

REGISTER 7-2: INTSTAT: INTERRUPT STATUS REGISTER

| Bit Range | Bit 31/23/15/7 | Bit 30/22/14/6 | Bit 29/21/13/5 | Bit 28/20/12/4 | Bit 27/19/11/3 | Bit 26/18/10/2 | Bit 25/17/9/1 | Bit 24/16/8/0 |
|-----------|----------------|----------------|-------------------------|----------------|----------------|---------------------------|---------------|---------------|
| 31:24 | U-0 | U-0 | U-0 | U-0 | U-0 | U-0 | U-0 | U-0 |
| | — | — | — | — | — | — | — | — |
| 23:16 | U-0 | U-0 | U-0 | U-0 | U-0 | U-0 | U-0 | U-0 |
| | — | — | — | — | — | — | — | — |
| 15:8 | U-0 | U-0 | U-0 | U-0 | U-0 | R/W-0 | R/W-0 | R/W-0 |
| | — | — | — | — | — | SRIPL<2:0> ⁽¹⁾ | | |
| 7:0 | U-0 | U-0 | R/W-0 | R/W-0 | R/W-0 | R/W-0 | R/W-0 | R/W-0 |
| | — | — | VEC<5:0> ⁽¹⁾ | | | | | |

Legend:

R = Readable bit W = Writable bit U = Unimplemented bit, read as '0'
 -n = Value at POR '1' = Bit is set '0' = Bit is cleared x = Bit is unknown

- bit 31-11 **Unimplemented:** Read as '0'
- bit 10-8 **SRIPL<2:0>:** Requested Priority Level bits⁽¹⁾
 111-000 = The priority level of the latest interrupt presented to the CPU
- bit 7-6 **Unimplemented:** Read as '0'
- bit 5-0 **VEC<5:0>:** Interrupt Vector bits⁽¹⁾
 11111-00000 = The interrupt vector that is presented to the CPU

Note 1: This value should only be used when the interrupt controller is configured for Single Vector mode.

REGISTER 7-3: IPTMR: INTERRUPT PROXIMITY TIMER REGISTER

| Bit Range | Bit 31/23/15/7 | Bit 30/22/14/6 | Bit 29/21/13/5 | Bit 28/20/12/4 | Bit 27/19/11/3 | Bit 26/18/10/2 | Bit 25/17/9/1 | Bit 24/16/8/0 |
|-----------|----------------|----------------|----------------|----------------|----------------|----------------|---------------|---------------|
| 31:24 | R/W-0 | R/W-0 | R/W-0 | R/W-0 | R/W-0 | R/W-0 | R/W-0 | R/W-0 |
| | IPTMR<31:24> | | | | | | | |
| 23:16 | R/W-0 | R/W-0 | R/W-0 | R/W-0 | R/W-0 | R/W-0 | R/W-0 | R/W-0 |
| | IPTMR<23:16> | | | | | | | |
| 15:8 | R/W-0 | R/W-0 | R/W-0 | R/W-0 | R/W-0 | R/W-0 | R/W-0 | R/W-0 |
| | IPTMR<15:8> | | | | | | | |
| 7:0 | R/W-0 | R/W-0 | R/W-0 | R/W-0 | R/W-0 | R/W-0 | R/W-0 | R/W-0 |
| | IPTMR<7:0> | | | | | | | |

Legend:

R = Readable bit W = Writable bit U = Unimplemented bit, read as '0'
 -n = Value at POR '1' = Bit is set '0' = Bit is cleared x = Bit is unknown

- bit 31-0 **IPTMR<31:0>:** Interrupt Proximity Timer Reload bits
 Used by the Interrupt Proximity Timer as a reload value when the Interrupt Proximity timer is triggered by an interrupt event.

PIC32MX1XX/2XX 28/44-PIN XLP FAMILY

REGISTER 7-4: IFSx: INTERRUPT FLAG STATUS REGISTER

| Bit Range | Bit 31/23/15/7 | Bit 30/22/14/6 | Bit 29/21/13/5 | Bit 28/20/12/4 | Bit 27/19/11/3 | Bit 26/18/10/2 | Bit 25/17/9/1 | Bit 24/16/8/0 |
|-----------|----------------|----------------|----------------|----------------|----------------|----------------|---------------|---------------|
| 31:24 | R/W-0 | R/W-0 | R/W-0 | R/W-0 | R/W-0 | R/W-0 | R/W-0 | R/W-0 |
| | IFS31 | IFS30 | IFS29 | IFS28 | IFS27 | IFS26 | IFS25 | IFS24 |
| 23:16 | R/W-0 | R/W-0 | R/W-0 | R/W-0 | R/W-0 | R/W-0 | R/W-0 | R/W-0 |
| | IFS23 | IFS22 | IFS21 | IFS20 | IFS19 | IFS18 | IFS17 | IFS16 |
| 15:8 | R/W-0 | R/W-0 | R/W-0 | R/W-0 | R/W-0 | R/W-0 | R/W-0 | R/W-0 |
| | IFS15 | IFS14 | IFS13 | IFS12 | IFS11 | IFS10 | IFS09 | IFS08 |
| 7:0 | R/W-0 | R/W-0 | R/W-0 | R/W-0 | R/W-0 | R/W-0 | R/W-0 | R/W-0 |
| | IFS07 | IFS06 | IFS05 | IFS04 | IFS03 | IFS02 | IFS01 | IFS00 |

Legend:

R = Readable bit W = Writable bit U = Unimplemented bit, read as '0'
-n = Value at POR '1' = Bit is set '0' = Bit is cleared x = Bit is unknown

bit 31-0 **IFS31-IFS00:** Interrupt Flag Status bits
1 = Interrupt request has occurred
0 = No interrupt request has occurred

Note: This register represents a generic definition of the IFSx register. Refer to [Table 7-1](#) for the exact bit definitions.

REGISTER 7-5: IECx: INTERRUPT ENABLE CONTROL REGISTER

| Bit Range | Bit 31/23/15/7 | Bit 30/22/14/6 | Bit 29/21/13/5 | Bit 28/20/12/4 | Bit 27/19/11/3 | Bit 26/18/10/2 | Bit 25/17/9/1 | Bit 24/16/8/0 |
|-----------|----------------|----------------|----------------|----------------|----------------|----------------|---------------|---------------|
| 31:24 | R/W-0 | R/W-0 | R/W-0 | R/W-0 | R/W-0 | R/W-0 | R/W-0 | R/W-0 |
| | IEC31 | IEC30 | IEC29 | IEC28 | IEC27 | IEC26 | IEC25 | IEC24 |
| 23:16 | R/W-0 | R/W-0 | R/W-0 | R/W-0 | R/W-0 | R/W-0 | R/W-0 | R/W-0 |
| | IEC23 | IEC22 | IEC21 | IEC20 | IEC19 | IEC18 | IEC17 | IEC16 |
| 15:8 | R/W-0 | R/W-0 | R/W-0 | R/W-0 | R/W-0 | R/W-0 | R/W-0 | R/W-0 |
| | IEC15 | IEC14 | IEC13 | IEC12 | IEC11 | IEC10 | IEC09 | IEC08 |
| 7:0 | R/W-0 | R/W-0 | R/W-0 | R/W-0 | R/W-0 | R/W-0 | R/W-0 | R/W-0 |
| | IEC07 | IEC06 | IEC05 | IEC04 | IEC03 | IEC02 | IEC01 | IEC00 |

Legend:

R = Readable bit W = Writable bit U = Unimplemented bit, read as '0'
-n = Value at POR '1' = Bit is set '0' = Bit is cleared x = Bit is unknown

bit 31-0 **IEC31-IEC00:** Interrupt Enable bits
1 = Interrupt is enabled
0 = Interrupt is disabled

Note: This register represents a generic definition of the IECx register. Refer to [Table 7-1](#) for the exact bit definitions.

PIC32MX1XX/2XX 28/44-PIN XLP FAMILY

REGISTER 7-6: IPCx: INTERRUPT PRIORITY CONTROL REGISTER

| Bit Range | Bit 31/23/15/7 | Bit 30/22/14/6 | Bit 29/21/13/5 | Bit 28/20/12/4 | Bit 27/19/11/3 | Bit 26/18/10/2 | Bit 25/17/9/1 | Bit 24/16/8/0 |
|-----------|----------------|----------------|----------------|----------------|----------------|----------------|---------------|---------------|
| 31:24 | U-0 | U-0 | U-0 | R/W-0 | R/W-0 | R/W-0 | R/W-0 | R/W-0 |
| | — | — | — | IP03<2:0> | | | IS03<1:0> | |
| 23:16 | U-0 | U-0 | U-0 | R/W-0 | R/W-0 | R/W-0 | R/W-0 | R/W-0 |
| | — | — | — | IP02<2:0> | | | IS02<1:0> | |
| 15:8 | U-0 | U-0 | U-0 | R/W-0 | R/W-0 | R/W-0 | R/W-0 | R/W-0 |
| | — | — | — | IP01<2:0> | | | IS01<1:0> | |
| 7:0 | U-0 | U-0 | U-0 | R/W-0 | R/W-0 | R/W-0 | R/W-0 | R/W-0 |
| | — | — | — | IP00<2:0> | | | IS00<1:0> | |

Legend:

R = Readable bit

W = Writable bit

U = Unimplemented bit, read as '0'

-n = Value at POR

'1' = Bit is set

'0' = Bit is cleared

x = Bit is unknown

bit 31-29 **Unimplemented:** Read as '0'

bit 28-26 **IP03<2:0>**: Interrupt Priority bits

111 = Interrupt priority is 7

•
•
•

010 = Interrupt priority is 2

001 = Interrupt priority is 1

000 = Interrupt is disabled

bit 25-24 **IS03<1:0>**: Interrupt Subpriority bits

11 = Interrupt subpriority is 3

10 = Interrupt subpriority is 2

01 = Interrupt subpriority is 1

00 = Interrupt subpriority is 0

bit 23-21 **Unimplemented:** Read as '0'

bit 20-18 **IP02<2:0>**: Interrupt Priority bits

111 = Interrupt priority is 7

•
•
•

010 = Interrupt priority is 2

001 = Interrupt priority is 1

000 = Interrupt is disabled

bit 17-16 **IS02<1:0>**: Interrupt Subpriority bits

11 = Interrupt subpriority is 3

10 = Interrupt subpriority is 2

01 = Interrupt subpriority is 1

00 = Interrupt subpriority is 0

bit 15-13 **Unimplemented:** Read as '0'

bit 12-10 **IP01<2:0>**: Interrupt Priority bits

111 = Interrupt priority is 7

•
•
•

010 = Interrupt priority is 2

001 = Interrupt priority is 1

000 = Interrupt is disabled

Note: This register represents a generic definition of the IPCx register. Refer to [Table 7-1](#) for the exact bit definitions.

PIC32MX1XX/2XX 28/44-PIN XLP FAMILY

REGISTER 7-6: IPCx: INTERRUPT PRIORITY CONTROL REGISTER (CONTINUED)

bit 9-8 **IS01<1:0>**: Interrupt Subpriority bits

- 11 = Interrupt subpriority is 3
- 10 = Interrupt subpriority is 2
- 01 = Interrupt subpriority is 1
- 00 = Interrupt subpriority is 0

bit 7-5 **Unimplemented**: Read as '0'

bit 4-2 **IP00<2:0>**: Interrupt Priority bits

111 = Interrupt priority is 7

•
•
•

010 = Interrupt priority is 2

001 = Interrupt priority is 1

000 = Interrupt is disabled

bit 1-0 **IS00<1:0>**: Interrupt Subpriority bits

- 11 = Interrupt subpriority is 3
- 10 = Interrupt subpriority is 2
- 01 = Interrupt subpriority is 1
- 00 = Interrupt subpriority is 0

Note: This register represents a generic definition of the IPCx register. Refer to [Table 7-1](#) for the exact bit definitions.

PIC32MX1XX/2XX 28/44-PIN XLP FAMILY

8.0 OSCILLATOR CONFIGURATION

Note: This data sheet summarizes the features of the PIC32MX1XX/2XX XLP family of devices. It is not intended to be a comprehensive reference source. To complement the information in this data sheet, refer to **Section 42. “Oscillators with Enhanced PLL”** (DS60001250) in the *“PIC32 Family Reference Manual”*, which is available from the Microchip web site (www.microchip.com/PIC32).

The PIC32MX1XX/2XX XLP oscillator system has the following modules and features:

- A total of five external and internal oscillator options as clock sources
- On-Chip PLL with user-selectable input divider, multiplier and output divider to boost operating frequency on select internal and external oscillator sources
- On-Chip user-selectable divisor postscaler on select oscillator sources
- Software-controllable switching between various clock sources
- A Fail-Safe Clock Monitor (FSCM) that detects clock failure and permits safe application recovery
- Dedicated On-Chip PLL for USB modules
- Flexible reference clock output
- Multiple clock branches for peripherals for better performance flexibility

A block diagram of the oscillator system is provided in [Figure 8-1](#).

8.1 Fail-Safe Clock Monitor (FSCM)

The PIC32MX1XX/2XX XLP oscillator system includes a Fail-safe Clock Monitor (FSCM). The FSCM monitors the SYSCLK for continuous operation. If it detects that the SYSCLK has failed, it switches the SYSCLK over to the BFRC oscillator and triggers a NMI. The BFRC is an untuned 8 MHz oscillator that will drive the SYSCLK during FSCM event. When the NMI is executed, software can attempt to restart the main oscillator or shut down the system.

In Sleep mode both the SYSCLK and the FSCM halt, which prevents FSCM detection.

PIC32MX1XX/2XX 28/44-PIN XLP FAMILY

FIGURE 8-1: PIC32MX1XX/2XX XLP FAMILY OSCILLATOR DIAGRAM



- Notes:**
1. A series resistor, R_S, may be required for AT strip cut crystals, or to eliminate clipping. Alternately, to increase oscillator circuit gain, add a parallel resistor, R_P, with a value of 1 MΩ.
 2. The internal feedback resistor, R_F, is typically in the range of 2 to 10 MΩ.
 3. Refer to **Section 42. "Oscillators with Enhanced PLL"** (DS60001250) in the "PIC32 Family Reference Manual" for help in determining the best oscillator components.
 4. PBOCLK divided by 2 is available on the OSC2 pin in certain clock modes.
 5. Refer to **Table 33-19** in **33.0 "Electrical Characteristics"** for frequency limitations.
 6. The USB PLL is only available on PIC32MX2XX XLP devices.

8.2 Oscillator Control Registers

TABLE 8-1: OSCILLATOR CONFIGURATION REGISTER MAP

| Virtual Address (BF80_#) | Register Name | Bit Range | Bits | | | | | | | | | | | | | | | All Resets ⁽¹⁾ | |
|-----------------------------|------------------|-----------|-------------|-------------|-------|-------|----------|------------------------------|---------|---------|---------|------------|----------|---------|------|---------------|---------|---------------------------|------|
| | | | 31/15 | 30/14 | 29/13 | 28/12 | 27/11 | 26/10 | 25/9 | 24/8 | 23/7 | 22/6 | 21/5 | 20/4 | 19/3 | 18/2 | 17/1 | | 16/0 |
| F000 | OSCCON | 31:16 | — | — | — | — | — | FRCDIV<2:0> | | | DRMEN | — | SLP2SPD | — | — | — | — | — | 0020 |
| | | 15:0 | — | COSC<2:0> | | | — | NOSC<2:0> | | | CLKLOCK | — | — | SLPEN | CF | UFRGEN | SOSCEN | OSWEN | xx0x |
| F010 | OSCTUN | 31:16 | — | — | — | — | — | — | — | — | — | — | — | — | — | — | — | — | 0000 |
| | | 15:0 | — | — | — | — | — | — | — | — | — | — | TUN<5:0> | | | | | 00xx | |
| F020 | SPLLCON | 31:16 | — | — | — | — | — | PLLODIV<2:0> | | | — | — | — | — | — | PLLMULT<2:0> | | | 01xx |
| | | 15:0 | — | — | — | — | — | PLLIDIV<2:0> | | | PLLICK | — | — | — | — | — | — | — | 0x0x |
| F030 | UPLLCON | 31:16 | — | — | — | — | — | UPLLODIV<2:0> ⁽¹⁾ | | | — | — | — | — | — | UPLLMULT<2:0> | | | 01xx |
| | | 15:0 | — | — | — | — | — | UPLLIDIV<2:0> ⁽¹⁾ | | | — | — | — | — | — | — | — | — | 0x0x |
| F080 | REFO0CON | 31:16 | — | RODIV<14:0> | | | | | | | | | | | | | | 0000 | |
| | | 15:0 | ON | — | SIDL | OE | RSLP | — | DIVSWEN | ACTIVE | — | — | — | — | — | ROSEL<3:0> | | | 0000 |
| F090 | REFO0TRIM | 31:16 | ROTRIM<8:0> | | | | | | | | — | — | — | — | — | — | — | — | 0000 |
| | | 15:0 | — | — | — | — | — | — | — | — | — | — | — | — | — | — | — | — | 0000 |
| F0A0 | PB0DIV | 31:16 | — | — | — | — | — | — | — | — | — | — | — | — | — | — | — | — | 0000 |
| | | 15:0 | — | — | — | — | PBDIVRDY | — | — | — | — | PBDIV<6:0> | | | | | | 8801 | |
| F0C0 | CLKSTAT | 31:16 | — | — | — | — | — | — | — | — | — | — | — | — | — | — | — | — | 0000 |
| | | 15:0 | — | — | — | — | — | — | — | UPLLRDY | SPLLRDY | — | LPRCRDY | SOSCRDY | — | POSCRDY | SPLLRDY | FRCRDY | 0000 |

Legend: x = unknown value on Reset; — = unimplemented, read as '0'. Reset values are shown in hexadecimal.

Note 1: Reset values are dependent on the DEVCFGx Configuration bits and the type of reset.

PIC32MX1XX/2XX 28/44-PIN XLP FAMILY

REGISTER 8-1: OSCCON: OSCILLATOR CONTROL REGISTER

| Bit Range | Bit 31/23/15/7 | Bit 30/22/14/6 | Bit 29/21/13/5 | Bit 28/20/12/4 | Bit 27/19/11/3 | Bit 26/18/10/2 | Bit 25/17/9/1 | Bit 24/16/8/0 |
|-----------|------------------|----------------|------------------|----------------|-----------------|------------------|-----------------|-------------------------------|
| 31:24 | U-0 — | U-0 — | U-0 — | U-0 — | U-0 — | R/W-0 | R/W-0 | R/W-0 |
| | FRCDIV<2:0> | | | | | | | |
| 23:16 | R/W-0 DRMEN | U-0 — | R/W-y SLP2SPD | U-0 — | U-0 — | U-0 — | U-0 — | U-0 — |
| 15:8 | U-0 — | R-0 | R-0 | R-0 | U-0 | R/W-y | R/W-y | R/W-y |
| | COSC<2:0> | | | | NOSC<2:0> | | | |
| 7:0 | R/W-0 CLKLOCK | U-0 — | U-0 — | R/W-0 SLPEN | R/W-0, HS CF | R/W-y UFRCCEN | R/W-y SOSCEN | R/W-y OSWEN ⁽¹⁾ |

| | | |
|-------------------|--|------------------------------------|
| Legend: | y = Value set from Configuration bits on POR | HS = Hardware Set |
| R = Readable bit | W = Writable bit | U = Unimplemented bit, read as '0' |
| -n = Value at POR | '1' = Bit is set | '0' = Bit is cleared |
| | | x = Bit is unknown |

bit 31-27 **Unimplemented:** Read as '0'

bit 26-24 **FRCDIV<2:0>:** Internal Fast RC (FRC) Oscillator Clock Divider bits

- 111 = FRC divided by 256
- 110 = FRC divided by 64
- 101 = FRC divided by 32
- 100 = FRC divided by 16
- 011 = FRC divided by 8
- 010 = FRC divided by 4
- 001 = FRC divided by 2
- 000 = FRC divided by 1 (default setting)

bit 23 **DRMEN:** Dream Mode Enable bit

- 1 = Dream mode is enabled
- 0 = Dream mode is disabled

bit 22 **Unimplemented:** Read as '0'

bit 21 **SLP2SPD:** Sleep Two-speed Start-up Control bit

- 1 = Use FRC as SYSCLK until the selected clock is ready
- 0 = Use the selected clock directly

bit 20-15 **Unimplemented:** Read as '0'

bit 14-12 **COSC<2:0>:** Current Oscillator Selection bits

- 111 = Reserved
- 110 = Reserved
- 101 = Internal Low-Power RC (LPRC) Oscillator
- 100 = Secondary Oscillator (Sosc)
- 011 = Reserved
- 010 = Primary Oscillator (Posc) (HS or EC)
- 001 = System PLL (SPLL)
- 000 = Internal Fast RC (FRC) Oscillator divided by FRCDIV<2:0> bits (FRCDIV)

bit 11 **Unimplemented:** Read as '0'

Note 1: The reset value for this bit depends on the setting of the IESO bit (DEVCFG1<7>). When IESO = 1, the reset value is '1'. When IESO = 0, the reset value is '0'.

Note: Writes to this register require an unlock sequence. Refer to **Section 42. "Oscillators with Enhanced PLL"** (DS60001250) in the "PIC32 Family Reference Manual" for details.

PIC32MX1XX/2XX 28/44-PIN XLP FAMILY

REGISTER 8-1: OSCCON: OSCILLATOR CONTROL REGISTER

bit 10-8 **NOSC<2:0>**: New Oscillator Selection bits

111 = Reserved

110 = Reserved

101 = Internal Low-Power RC (LPRC) Oscillator

100 = Secondary Oscillator (Sosc)

011 = Reserved

010 = Primary Oscillator (Posc) (HS or EC)

001 = System PLL (SPLL)

000 = Internal Fast RC (FRC) Oscillator divided by FRCDIV<2:0> bits (FRCDIV)

On Reset, these bits are set to the value of the FNOOSC<2:0> Configuration bits (DEVCFG1<2:0>).

bit 7 **CLKLOCK**: Clock Selection Lock Enable bit

1 = Clock and PLL selections are locked

0 = Clock and PLL selections are not locked and may be modified

bit 6-5 **Unimplemented**: Read as '0'

bit 4 **SLPEN**: Sleep Mode Enable bit

1 = Device will enter Sleep mode when a WAIT instruction is executed

0 = Device will enter Idle mode when a WAIT instruction is executed

bit 3 **CF**: Clock Fail Detect bit

1 = FSCM has detected a clock failure

0 = No clock failure has been detected

bit 2 **UFRGEN**: USB FRC Clock Enable bit

1 = Enable FRC as the USB clock source

0 = Use the Primary Oscillator or UPLL as the USB clock source

bit 1 **SOSCEN**: Secondary Oscillator (SOSC) Enable bit

1 = Enable Secondary Oscillator

0 = Disable Secondary Oscillator

bit 0 **OSWEN**: Oscillator Switch Enable bit⁽¹⁾

1 = Initiate an oscillator switch to selection specified by NOSC<2:0> bits

0 = Oscillator switch is complete

Note 1: The reset value for this bit depends on the setting of the IESO bit (DEVCFG1<7>). When IESO = 1, the reset value is '1'. When IESO = 0, the reset value is '0'.

Note: Writes to this register require an unlock sequence. Refer to **Section 42. "Oscillators with Enhanced PLL"** (DS60001250) in the *"PIC32 Family Reference Manual"* for details.

PIC32MX1XX/2XX 28/44-PIN XLP FAMILY

REGISTER 8-2: OSCTUN: FRC TUNING REGISTER

| Bit Range | Bit 31/23/15/7 | Bit 30/22/14/6 | Bit 29/21/13/5 | Bit 28/20/12/4 | Bit 27/19/11/3 | Bit 26/18/10/2 | Bit 25/17/9/1 | Bit 24/16/8/0 |
|-----------|----------------|----------------|-------------------------|----------------|----------------|----------------|---------------|---------------|
| 31:24 | U-0 | U-0 | U-0 | U-0 | U-0 | U-0 | U-0 | U-0 |
| | — | — | — | — | — | — | — | — |
| 23:16 | U-0 | R-0 | U-0 | U-0 | U-0 | U-0 | U-0 | U-0 |
| | — | — | — | — | — | — | — | — |
| 15:8 | U-0 | R-0 | U-0 | U-0 | U-0 | U-0 | U-0 | U-0 |
| | — | — | — | — | — | — | — | — |
| 7:0 | U-0 | U-0 | R/W-0 | R/W-0 | R/W-0 | R/W-0 | R/W-0 | R/W-0 |
| | — | — | TUN<5:0> ⁽¹⁾ | | | | | |

Legend:

R = Readable bit

W = Writable bit

U = Unimplemented bit, read as '0'

-n = Value at POR

'1' = Bit is set

'0' = Bit is cleared

x = Bit is unknown

bit 31-6 **Unimplemented:** Read as '0'

bit 5-0 **TUN<5:0>:** FRC Oscillator Tuning bits⁽¹⁾

100000 = Center frequency -2%

100001 =

•

•

•

111111 =

000000 = Center frequency; Oscillator runs at nominal frequency (8 MHz)

000001 =

•

•

•

011110 =

011111 = Center frequency +2%

Note 1: OSCTUN functionality has been provided to help customers compensate for temperature effects on the FRC frequency over a wide range of temperatures. The tuning step size is an approximation, and is neither characterized, nor tested.

Note: Writes to this register require an unlock sequence. Refer to **Section 42. "Oscillators with Enhanced PLL"** (DS60001250) in the *"PIC32 Family Reference Manual"* for details.

PIC32MX1XX/2XX 28/44-PIN XLP FAMILY

REGISTER 8-3: SPLLCON: SYSTEM PLL CONTROL REGISTER

| Bit Range | Bit 31/23/15/7 | Bit 30/22/14/6 | Bit 29/21/13/5 | Bit 28/20/12/4 | Bit 27/19/11/3 | Bit 26/18/10/2 | Bit 25/17/9/1 | Bit 24/16/8/0 |
|-----------|----------------|----------------|----------------|----------------|----------------|----------------|---------------|---------------|
| 31:24 | U-0 | U-0 | U-0 | U-0 | U-0 | R/W-y | R/W-y | R/W-y |
| | — | — | — | — | — | PLLODIV<2:0> | | |
| 23:16 | U-0 | U-0 | U-0 | U-0 | U-0 | R/W-y | R/W-y | R/W-y |
| | — | — | — | — | — | PLLMULT<2:0> | | |
| 15:8 | U-0 | U-0 | U-0 | U-0 | U-0 | R/W-y | R/W-y | R/W-y |
| | — | — | — | — | — | PLLIDIV<2:0> | | |
| 7:0 | R/W-y | U-0 | U-0 | U-0 | U-0 | U-0 | U-0 | U-0 |
| | PLLICLK | — | — | — | — | — | — | — |

| | |
|-------------------|--|
| Legend: | y = Value set from Configuration bits on POR |
| R = Readable bit | W = Writable bit U = Unimplemented bit, read as '0' |
| -n = Value at POR | '1' = Bit is set '0' = Bit is cleared x = Bit is unknown |

bit 31-27 **Unimplemented:** Read as '0'

bit 26-24 **PLLODIV<2:0>:** System PLL Output Clock Divider bits

- 111 = PLL Divide by 16
- 110 = PLL Divide by 12
- 101 = PLL Divide by 8
- 100 = PLL Divide by 6
- 011 = PLL Divide by 4
- 010 = PLL Divide by 3
- 001 = PLL Divide by 2
- 000 = PLL Divide by 1

The default setting is specified by the FPLLODIV<2:0> Configuration bits in the DEVCFG2 register. Refer to [Register 30-3](#) in **30.0 "Special Features"** for information.

bit 23-19 **Unimplemented:** Read as '0'

bit 18-16 **PLLMULT<2:0>:** System PLL Multiplier bits

- 111 = Multiply by 24
- 110 = Multiply by 21
- 101 = Multiply by 20
- 100 = Multiply by 19
- 011 = Multiply by 18
- 010 = Multiply by 17
- 001 = Multiply by 16
- 000 = Multiply by 15

The default setting is specified by the FPLLMULT<6:0> Configuration bits in the DEVCFG2 register. Refer to [Register 30-3](#) in **30.0 "Special Features"** for information.

bit 15-11 **Unimplemented:** Read as '0'

Note 1: Writes to this register require an unlock sequence. Refer to **Section 42. "Oscillators with Enhanced PLL"** (DS60001250) in the *"PIC32 Family Reference Manual"* for details.

2: Writes to this register are not allowed if the SPLL is selected as a clock source (COSC<2:0> = 001).

PIC32MX1XX/2XX 28/44-PIN XLP FAMILY

REGISTER 8-3: SPLLCON: SYSTEM PLL CONTROL REGISTER

bit 10-8 **PLLIDIV<2:0>**: System PLL Input Clock Divider bits

- 111 = Divide by 12
- 110 = Divide by 10
- 101 = Divide by 6
- 100 = Divide by 5
- 011 = Divide by 4
- 010 = Divide by 3
- 001 = Divide by 2
- 000 = Divide by 1

The default setting is specified by the FPLLIDIV<2:0> Configuration bits in the DEVCFG2 register. Refer to [Register 30-3](#) in **30.0 “Special Features”** for information. If the PLLICK is set for FRC, this setting is ignored by the PLL and the divider is set to Divide-by-1.

bit 7 **PLLICK**: System PLL Input Clock Source bit

- 1 = FRC is selected as the input to the System PLL
- 0 = POSC is selected as the input to the System PLL

The POR default is specified by the FPLLICK Configuration bit in the DEVCFG2 register. Refer to [Register 30-3](#) in **30.0 “Special Features”** for information.

bit 6-0 **Unimplemented**: Read as '0'

- Note 1:** Writes to this register require an unlock sequence. Refer to **Section 42. “Oscillators with Enhanced PLL”** (DS60001250) in the *“PIC32 Family Reference Manual”* for details.
- 2:** Writes to this register are not allowed if the SPLL is selected as a clock source (COSC<2:0> = 001).

PIC32MX1XX/2XX 28/44-PIN XLP FAMILY

REGISTER 8-4: UPLLCON: USB PLL CONTROL REGISTER

| Bit Range | Bit 31/23/15/7 | Bit 30/22/14/6 | Bit 29/21/13/5 | Bit 28/20/12/4 | Bit 27/19/11/3 | Bit 26/18/10/2 | Bit 25/17/9/1 | Bit 24/16/8/0 |
|-----------|----------------|----------------|----------------|----------------|----------------|----------------|---------------|---------------|
| 31:24 | U-0 | U-0 | U-0 | U-0 | U-0 | R/W-y | R/W-y | R/W-y |
| | — | — | — | — | — | UPLLODIV<2:0> | | |
| 23:16 | U-0 | U-0 | U-0 | U-0 | U-0 | R/W-y | R/W-y | R/W-y |
| | — | — | — | — | — | UPLLMULT<2:0> | | |
| 15:8 | U-0 | U-0 | U-0 | U-0 | U-0 | R/W-y | R/W-y | R/W-y |
| | — | — | — | — | — | UPLLIDIV<2:0> | | |
| 7:0 | U-0 | U-0 | U-0 | U-0 | U-0 | U-0 | U-0 | U-0 |
| | — | — | — | — | — | — | — | — |

| | |
|-------------------|--|
| Legend: | y = Value set from Configuration bits on POR |
| R = Readable bit | W = Writable bit U = Unimplemented bit, read as '0' |
| -n = Value at POR | '1' = Bit is set '0' = Bit is cleared x = Bit is unknown |

bit 31-27 **Unimplemented:** Read as '0'

bit 26-24 **UPLLODIV<2:0>:** USB PLL Output Clock Divider bits

111 = PLL Divide by 16
 110 = PLL Divide by 12
 101 = PLL Divide by 8
 100 = PLL Divide by 6
 011 = PLL Divide by 4
 010 = PLL Divide by 3
 001 = PLL Divide by 2
 000 = PLL Divide by 1

bit 23-19 **Unimplemented:** Read as '0'

bit 18-16 **UPLLMULT<2:0>:** USB PLL Multiplier bits

111 = Multiply by 24
 110 = Multiply by 21
 101 = Multiply by 20
 100 = Multiply by 19
 011 = Multiply by 18
 010 = Multiply by 17
 001 = Multiply by 16
 000 = Multiply by 15

bit 15-11 **Unimplemented:** Read as '0'

bit 10-8 **UPLLIDIV<2:0>:** USB PLL Input Clock Divider bits

111 = Divide by 12
 110 = Divide by 10
 101 = Divide by 6
 100 = Divide by 5
 011 = Divide by 4
 010 = Divide by 3
 001 = Divide by 2
 000 = Divide by 1

bit 7-0 **Unimplemented:** Read as '0'

Note 1: Writes to this register require an unlock sequence. Refer to **Section 42. "Oscillators with Enhanced PLL"** (DS60001250) in the *"PIC32 Family Reference Manual"* for details.

PIC32MX1XX/2XX 28/44-PIN XLP FAMILY

REGISTER 8-5: REFO0CON: REFERENCE OSCILLATOR CONTROL REGISTER

| Bit Range | Bit 31/23/15/7 | Bit 30/22/14/6 | Bit 29/21/13/5 | Bit 28/20/12/4 | Bit 27/19/11/3 | Bit 26/18/10/2 | Bit 25/17/9/1 | Bit 24/16/8/0 |
|---------------------------|----------------------------|----------------|----------------|----------------|------------------------------|----------------|----------------------|--------------------------------------|
| 31:24 | U-0 — | R/W-0 | R/W-0 | R/W-0 | R/W-0 | R/W-0 | R/W-0 | R/W-0 |
| RODIV<14:8> | | | | | | | | |
| 23:16 | R/W-0 | R/W-0 | R/W-0 | R/W-0 | R/W-0 | R/W-0 | R/W-0 | R/W-0 |
| RODIV<7:0> | | | | | | | | |
| 15:8 | R/W-0 ON ⁽¹⁾ | U-0 — | R/W-0 SIDL | R/W-0 OE | R/W-0 RSLP ⁽²⁾ | U-0 — | R/W-0, HC DIVSWEN | R-0, HS, HC ACTIVE ⁽¹⁾ |
| 7:0 | U-0 — | U-0 — | U-0 — | U-0 — | R/W-0 | R/W-0 | R/W-0 | R/W-0 |
| ROSEL<3:0> ⁽³⁾ | | | | | | | | |

| | | |
|-------------------|-----------------------|--|
| Legend: | HC = Hardware Cleared | HS = Hardware Set |
| R = Readable bit | W = Writable bit | U = Unimplemented bit, read as '0' |
| -n = Value at POR | '1' = Bit is set | '0' = Bit is cleared x = Bit is unknown |

- bit 31 **Unimplemented:** Read as '0'
- bit 30-16 **RODIV<14:0>** Reference Clock Divider bits
The value selects the reference clock divider bits (see [Figure 8-1](#) for details). A value of '0' selects no divider.
- bit 15 **ON:** Output Enable bit⁽¹⁾
1 = Reference Oscillator Module enabled
0 = Reference Oscillator Module disabled
- bit 14 **Unimplemented:** Read as '0'
- bit 13 **SIDL:** Peripheral Stop in Idle Mode bit
1 = Discontinue module operation when the device enters Idle mode
0 = Continue module operation in Idle mode
- bit 12 **OE:** Reference Clock Output Enable bit
1 = Reference clock is driven out on REFCLKOx pin
0 = Reference clock is not driven out on REFCLKOx pin
- bit 11 **RSLP:** Reference Oscillator Module Run in Sleep bit⁽²⁾
1 = Reference Oscillator Module output continues to run in Sleep
0 = Reference Oscillator Module output is disabled in Sleep
- bit 10 **Unimplemented:** Read as '0'
- bit 9 **DIVSWEN:** Divider Switch Enable bit
1 = Divider switch is in progress
0 = Divider switch is complete
- bit 8 **ACTIVE:** Reference Clock Request Status bit⁽¹⁾
1 = Reference clock request is active
0 = Reference clock request is not active
- bit 7-4 **Unimplemented:** Read as '0'
- bit 3-0 **ROSEL<3:0>**: Reference Clock Source Select bits⁽³⁾
1111 = Reserved
•
•
•
1001 = Reserved
1000 = REFCLKI
0111 = System PLL output
0110 = USB PLL output
0101 = SOSC
0100 = LPRC
0011 = FRC
0010 = POSC
0001 = PBCLK
0000 = SYSCLK

- Note 1:** Do not write to this register when the ON bit is not equal to the ACTIVE bit.
- 2:** This bit is ignored when the ROSEL<3:0> bits = 0000 or 0001.
- 3:** The ROSEL<3:0> bits should not be written while the ACTIVE bit is '1', as undefined behavior may result.

PIC32MX1XX/2XX 28/44-PIN XLP FAMILY

REGISTER 8-6: REFO0TRIM: REFERENCE OSCILLATOR TRIM REGISTER

| Bit Range | Bit 31/23/15/7 | Bit 30/22/14/6 | Bit 29/21/13/5 | Bit 28/20/12/4 | Bit 27/19/11/3 | Bit 26/18/10/2 | Bit 25/17/9/1 | Bit 24/16/8/0 |
|-------------|----------------|----------------|----------------|----------------|----------------|----------------|---------------|---------------|
| 31:24 | R/W-0 | R/W-0 | R/W-0 | R/W-0 | R/W-0 | R/W-0 | R/W-0 | R/W-0 |
| ROTRIM<8:1> | | | | | | | | |
| 23:16 | R/W-0 | R-0 | U-0 | U-0 | U-0 | U-0 | U-0 | U-0 |
| | ROTRIM<0> | — | — | — | — | — | — | — |
| 15:8 | U-0 | R-0 | U-0 | U-0 | U-0 | U-0 | U-0 | U-0 |
| | — | — | — | — | — | — | — | — |
| 7:0 | U-0 | U-0 | U-0 | U-0 | U-0 | U-0 | U-0 | U-0 |
| | — | — | — | — | — | — | — | — |

Legend:

R = Readable bit

W = Writable bit

U = Unimplemented bit, read as '0'

-n = Value at POR

'1' = Bit is set

'0' = Bit is cleared

x = Bit is unknown

bit 31-23 **ROTRIM<8:0>**: Reference Oscillator Trim bits

111111111 = 511/512 divisor added to RODIV value

111111110 = 510/512 divisor added to RODIV value

•

•

•

100000000 = 256/512 divisor added to RODIV value

•

•

•

000000010 = 2/512 divisor added to RODIV value

000000001 = 1/512 divisor added to RODIV value

000000000 = 0 divisor added to RODIV value

bit 22-0 **Unimplemented**: Read as '0'

- Note 1:** While the ON bit (REFO0CON<15>) is '1', writes to this register do not take effect until the DIVSWEN bit is also set to '1'.
- 2:** Do not write to this register when the ON bit (REFO0CON<15>) is not equal to the ACTIVE bit (REFO0CON<8>).
- 3:** Specified values in this register do not take effect if RODIV<14:0> bits (REFO0CON<30:16>) = 0.

PIC32MX1XX/2XX 28/44-PIN XLP FAMILY

REGISTER 8-7: PB0DIV: PERIPHERAL BUS CLOCK 0 DIVISOR CONTROL REGISTER

| Bit Range | Bit 31/23/15/7 | Bit 30/22/14/6 | Bit 29/21/13/5 | Bit 28/20/12/4 | Bit 27/19/11/3 | Bit 26/18/10/2 | Bit 25/17/9/1 | Bit 24/16/8/0 |
|-----------|----------------|----------------|----------------|----------------|----------------|----------------|---------------|---------------|
| 31:24 | U-0 | U-0 | U-0 | U-0 | U-0 | U-0 | U-0 | U-0 |
| | — | — | — | — | — | — | — | — |
| 23:16 | U-0 | U-0 | U-0 | U-0 | U-0 | U-0 | U-0 | U-0 |
| | — | — | — | — | — | — | — | — |
| 15:8 | U-0 | U-0 | U-0 | U-0 | R-1 | U-0 | U-0 | U-0 |
| | — | — | — | — | PBDIVRDY | — | — | — |
| 7:0 | U-0 | U-0 | U-0 | U-0 | U-0 | U-0 | R/W-x | R/W-x |
| | — | — | — | — | — | — | PBDIV<1:0> | |

Legend:

R = Readable bit

W = Writable bit

U = Unimplemented bit, read as '0'

-n = Value at POR

'1' = Bit is set

'0' = Bit is cleared

x = Bit is unknown

bit 31-12 **Unimplemented:** Read as '0'

bit 11 **PBDIVRDY:** Peripheral Bus 'x' Clock Divisor Ready bit

1 = Clock divisor logic is not switching divisors and the PBxDIV<6:0> bits may be written

0 = Clock divisor logic is currently switching values and the PBxDIV<6:0> bits cannot be written

bit 10-2 **Unimplemented:** Read as '0'

bit 1-0 **PBDIV<1:0>:** Peripheral Bus 'x' Clock Divisor Control bits

11 = PBCLKx is SYSCLK divided by 8

10 = PBCLKx is SYSCLK divided by 4

01 = PBCLKx is SYSCLK divided by 2

00 = PBCLKx is SYSCLK divided by 1

Note: Writes to this register require an unlock sequence. Refer to **Section 42. "Oscillators with Enhanced PLL"** (DS60001250) in the *"PIC32 Family Reference Manual"* for details.

PIC32MX1XX/2XX 28/44-PIN XLP FAMILY

REGISTER 8-8: CLKSTAT: OSCILLATOR CLOCK STATUS REGISTER

| Bit Range | Bit 31/23/15/7 | Bit 30/22/14/6 | Bit 29/21/13/5 | Bit 28/20/12/4 | Bit 27/19/11/3 | Bit 26/18/10/2 | Bit 25/17/9/1 | Bit 24/16/8/0 |
|-----------|----------------|----------------|----------------|----------------|----------------|----------------|---------------|---------------|
| 31:24 | U-0 | U-0 | U-0 | U-0 | U-0 | U-0 | U-0 | U-0 |
| | — | — | — | — | — | — | — | — |
| 23:16 | U-0 | U-0 | U-0 | U-0 | U-0 | U-0 | U-0 | U-0 |
| | — | — | — | — | — | — | — | — |
| 15:8 | U-0 | U-0 | U-0 | U-0 | U-0 | U-0 | U-0 | R-0 |
| | — | — | — | — | — | — | — | UPLLRDY |
| 7:0 | R-0 | U-0 | R-0 | R-0 | U-0 | R-0 | R-0 | R-0 |
| | SPLLRDY | — | LPRCRDY | SOSCRDY | — | POSCRDY | DIVSPLLRDY | FRCRDY |

Legend:

R = Readable bit W = Writable bit U = Unimplemented bit, read as '0'
 -n = Value at POR '1' = Bit is set '0' = Bit is cleared x = Bit is unknown

bit 31-9 **Unimplemented:** Read as '0'

bit 8 **UPLLRDY:** USB PLL (UPLL) Ready Status bit

1 = UPLL is ready
 0 = UPLL is not ready

bit 7 **SPLLRDY:** System PLL (SPLL) Ready Status bit

1 = SPLL is ready
 0 = SPLL is not ready

bit 6 **Unimplemented:** Read as '0'

bit 5 **LPRCRDY:** Low-Power RC (LPRC) Oscillator Ready Status bit

1 = LPRC is stable and ready
 0 = LPRC is disabled or not operating

bit 4 **SOSCRDY:** Secondary Oscillator (SOSC) Ready Status bit

1 = SOSC is stable and ready
 0 = SOSC is disabled or not operating

bit 3 **Unimplemented:** Read as '0'

bit 2 **POSCRDY:** Primary Oscillator (Posc) Ready Status bit

1 = POSC is stable and ready
 0 = POSC is disabled or not operating

bit 1 **DIVSPLLRDY:** Divided System PLL Ready Status bit

1 = Divided System PLL is ready
 0 = Divided System PLL is not ready

bit 0 **FRCRDY:** Fast RC (FRC) Oscillator Ready Status bit

1 = FRC is stable and ready
 0 = FRC is disabled for not operating

PIC32MX1XX/2XX 28/44-PIN XLP FAMILY

REGISTER 8-9: CLKDIAG: USER CLOCK DIAGNOSTIC CONTROL REGISTER

| Bit Range | Bit 31/23/15/7 | Bit 30/22/14/6 | Bit 29/21/13/5 | Bit 28/20/12/4 | Bit 27/19/11/3 | Bit 26/18/10/2 | Bit 25/17/9/1 | Bit 24/16/8/0 |
|-----------|----------------|----------------|----------------|----------------|----------------|----------------|---------------|---------------|
| 31:24 | U-0 | U-0 | U-0 | U-0 | U-0 | U-0 | U-0 | U-0 |
| | — | — | — | — | — | — | — | — |
| 23:16 | U-0 | U-0 | U-0 | U-0 | U-0 | U-0 | U-0 | U-0 |
| | — | — | — | — | — | — | — | — |
| 15:8 | U-0 | U-0 | U-0 | U-0 | U-0 | U-0 | U-0 | U-0 |
| | — | — | — | — | — | — | — | — |
| 7:0 | U-0 | U-0 | R/W-0 | R/W-0 | R/W-0 | R/W-0 | R/W-0 | R/W-0 |
| | — | — | UPLLSTOP | SPLLSTOP | LPRCSTOP | FRCSTOP | SOSCSTOP | POSCSTOP |

Legend:

R = Readable bit W = Writable bit U = Unimplemented bit, read as '0'
-n = Value at POR '1' = Bit is set '0' = Bit is cleared x = Bit is unknown

bit 31-6 **Unimplemented:** Read as '0'

bit 5 **UPLLSTOP:** USB PLL (UPLL) Clock Stop Control Value bit

1 = UPLL clock source is stopped
0 = UPLL clock source runs as normal

bit 4 **SPLLSTOP:** System PLL (SPLL) Clock Stop Control Value bit

1 = SPLL clock source is stopped
0 = SPLL clock source runs as normal

bit 3 **LPRCSTOP:** Low-Power RC Oscillator (LPRC) Clock Stop Control Value bit

1 = LPRC clock source is stopped
0 = LPRC clock source runs as normal

bit 2 **FRCSTOP:** Fast RC Oscillator (FRC) Clock Stop Control Value bit

1 = FRC clock source is stopped
0 = FRC clock source runs as normal

bit 1 **SOSCSTOP:** Secondary Oscillator (Sosc) Clock Stop Control Value bit

1 = Sosc clock source is stopped
0 = Sosc clock source runs as normal

bit 0 **POSCSTOP:** Primary Oscillator (Posc) Clock Stop Control Value bit

1 = Posc clock source is stopped
0 = Posc clock source runs as normal

PIC32MX1XX/2XX 28/44-PIN XLP FAMILY

9.0 DIRECT MEMORY ACCESS (DMA) CONTROLLER

Note: This data sheet summarizes the features of the PIC32MX1XX/2XX 28/44-pin XLP Family of devices. It is not intended to be a comprehensive reference source. To complement the information in this data sheet, refer to **Section 31. “Direct Memory Access (DMA) Controller”** (DS60001117), which is available from the *Documentation > Reference Manual* section of the Microchip PIC32 web site (www.microchip.com/pic32).

The PIC32 Direct Memory Access (DMA) controller is a bus master module useful for data transfers between different devices without CPU intervention. The source and destination of a DMA transfer can be any of the memory mapped modules existent in the PIC32, such as Peripheral Bus devices: SPI, UART, PMP, etc., or memory itself. [Figure 9-1](#) show a block diagram of the DMA Controller module.

The DMA Controller module has the following key features:

- Four identical channels, each featuring:
 - Auto-increment source and destination address registers
 - Source and destination pointers
 - Memory to memory and memory to peripheral transfers
- Automatic word-size detection:
 - Transfer granularity, down to byte level
 - Bytes need not be word-aligned at source and destination

- Fixed priority channel arbitration
- Flexible DMA channel operating modes:
 - Manual (software) or automatic (interrupt) DMA requests
 - One-Shot or Auto-Repeat Block Transfer modes
 - Channel-to-channel chaining
- Flexible DMA requests:
 - A DMA request can be selected from any of the peripheral interrupt sources
 - Each channel can select any (appropriate) observable interrupt as its DMA request source
 - A DMA transfer abort can be selected from any of the peripheral interrupt sources
 - Pattern (data) match transfer termination
- Multiple DMA channel status interrupts:
 - DMA channel block transfer complete
 - Source empty or half empty
 - Destination full or half full
 - DMA transfer aborted due to an external event
 - Invalid DMA address generated
- DMA debug support features:
 - Most recent address accessed by a DMA channel
 - Most recent DMA channel to transfer data
- CRC Generation module:
 - CRC module can be assigned to any of the available channels
 - CRC module is highly configurable

FIGURE 9-1: DMA BLOCK DIAGRAM



9.1 DMA Control Registers

TABLE 9-1: DMA GLOBAL REGISTER MAP

| Virtual Address (BF88_#) | Register Name ⁽¹⁾ | Bit Range | Bits | | | | | | | | | | | | | | | All Resets | |
|-----------------------------|---------------------------------|-----------|---------------|-------|-------|---------|---------|-------|------|------|------|------|------|------|------|---------------------------|------|------------|------|
| | | | 31/15 | 30/14 | 29/13 | 28/12 | 27/11 | 26/10 | 25/9 | 24/8 | 23/7 | 22/6 | 21/5 | 20/4 | 19/3 | 18/2 | 17/1 | | 16/0 |
| 3000 | DMACON | 31:16 | — | — | — | — | — | — | — | — | — | — | — | — | — | — | — | — | 0000 |
| | | 15:0 | ON | — | — | SUSPEND | DMABUSY | — | — | — | — | — | — | — | — | — | — | — | 0000 |
| 3010 | DMASTAT | 31:16 | — | — | — | — | — | — | — | — | — | — | — | — | — | — | — | — | 0000 |
| | | 15:0 | — | — | — | — | — | — | — | — | — | — | — | — | RDWR | DMACH<2:0> ⁽²⁾ | | — | 0000 |
| 3020 | DMAADDR | 31:16 | DMAADDR<31:0> | | | | | | | | | | | | | | | 0000 | |
| | | 15:0 | | | | | | | | | | | | | | | | 0000 | |

Legend: x = unknown value on Reset; — = unimplemented, read as '0'. Reset values are shown in hexadecimal.

Note 1: All registers in this table have corresponding CLR, SET and INV registers at its virtual address, plus an offset of 0x4, 0x8 and 0xC, respectively. See [12.2 "CLR, SET and INV Registers"](#) for more information.

TABLE 9-2: DMA CRC REGISTER MAP

| Virtual Address (BF88_#) | Register Name ⁽¹⁾ | Bit Range | Bits | | | | | | | | | | | | | | | All Resets | |
|-----------------------------|---------------------------------|-----------|----------------|-------|-----------|-----------|-------|-------|------|-------|--------|--------|------|------|------------|------|------|------------|------|
| | | | 31/15 | 30/14 | 29/13 | 28/12 | 27/11 | 26/10 | 25/9 | 24/8 | 23/7 | 22/6 | 21/5 | 20/4 | 19/3 | 18/2 | 17/1 | | 16/0 |
| 3030 | DCRCCON | 31:16 | — | — | BYTO<1:0> | | WBO | — | — | BITO | — | — | — | — | — | — | — | — | 0000 |
| | | 15:0 | — | — | — | PLEN<4:0> | | | | CRCEN | CRCAPP | CRCTYP | — | — | CRCCH<2:0> | | | 0000 | |
| 3040 | DCRCDATA | 31:16 | DCRCDATA<31:0> | | | | | | | | | | | | | | | 0000 | |
| | | 15:0 | | | | | | | | | | | | | | | | 0000 | |
| 3050 | DCRCXOR | 31:16 | DCRCXOR<31:0> | | | | | | | | | | | | | | | 0000 | |
| | | 15:0 | | | | | | | | | | | | | | | | 0000 | |

Legend: x = unknown value on Reset; — = unimplemented, read as '0'. Reset values are shown in hexadecimal.

Note 1: All registers in this table have corresponding CLR, SET and INV registers at their virtual addresses, plus offsets of 0x4, 0x8 and 0xC, respectively. See [12.2 "CLR, SET and INV Registers"](#) for more information.

TABLE 9-3: DMA CHANNELS 0-3 REGISTER MAP

| Virtual Address (BF88_#) | Register Name ⁽¹⁾ | Bit Range | Bits | | | | | | | | | | | | | | | All Resets | |
|-----------------------------|---------------------------------|-----------|--------------|-------|-------|-------|-------|-------|------|--------|--------|--------|--------|--------|--------|--------|--------|------------|------|
| | | | 31/15 | 30/14 | 29/13 | 28/12 | 27/11 | 26/10 | 25/9 | 24/8 | 23/7 | 22/6 | 21/5 | 20/4 | 19/3 | 18/2 | 17/1 | | 16/0 |
| 3060 | DCH0CON | 31:16 | — | — | — | — | — | — | — | — | — | — | — | — | — | — | — | — | 0000 |
| | | 15:0 | CHBUSY | — | — | — | — | — | — | CHCHNS | CHEN | CHAED | CHCHN | CHAEN | — | CHEDET | — | CHPRI<1:0> | 0000 |
| 3070 | DCH0ECON | 31:16 | — | — | — | — | — | — | — | — | — | — | — | — | — | — | — | — | 00FF |
| | | 15:0 | CHSIRQ<7:0> | | | | | | | | CFORCE | CABORT | PATEN | SIRQEN | AIRQEN | — | — | — | FF00 |
| 3080 | DCH0INT | 31:16 | — | — | — | — | — | — | — | — | — | — | — | — | — | — | — | — | 0000 |
| | | 15:0 | — | — | — | — | — | — | — | — | CHSDIE | CHSHIE | CHDDIE | CHDHIE | CHBCIE | CHCCIE | CHTAIE | CHERIE | 0000 |
| 3090 | DCH0SSA | 31:16 | CHSSA<31:0> | | | | | | | | | | | | | | | 0000 | |
| | | 15:0 | | | | | | | | | | | | | | | | 0000 | |
| 30A0 | DCH0DSA | 31:16 | CHDSA<31:0> | | | | | | | | | | | | | | | 0000 | |
| | | 15:0 | | | | | | | | | | | | | | | | 0000 | |
| 30B0 | DCH0SSIZ | 31:16 | — | — | — | — | — | — | — | — | — | — | — | — | — | — | — | — | 0000 |
| | | 15:0 | CHSSIZ<15:0> | | | | | | | | | | | | | | | 0000 | |
| 30C0 | DCH0DSIZ | 31:16 | — | — | — | — | — | — | — | — | — | — | — | — | — | — | — | — | 0000 |
| | | 15:0 | CHDSIZ<15:0> | | | | | | | | | | | | | | | 0000 | |
| 30D0 | DCH0SPTR | 31:16 | — | — | — | — | — | — | — | — | — | — | — | — | — | — | — | — | 0000 |
| | | 15:0 | CHSPTR<15:0> | | | | | | | | | | | | | | | 0000 | |
| 30E0 | DCH0DPTR | 31:16 | — | — | — | — | — | — | — | — | — | — | — | — | — | — | — | — | 0000 |
| | | 15:0 | CHDPTR<15:0> | | | | | | | | | | | | | | | 0000 | |
| 30F0 | DCH0CSIZ | 31:16 | — | — | — | — | — | — | — | — | — | — | — | — | — | — | — | — | 0000 |
| | | 15:0 | CHCSIZ<15:0> | | | | | | | | | | | | | | | 0000 | |
| 3100 | DCH0CPTR | 31:16 | — | — | — | — | — | — | — | — | — | — | — | — | — | — | — | — | 0000 |
| | | 15:0 | CHCPTR<15:0> | | | | | | | | | | | | | | | 0000 | |
| 3110 | DCH0DAT | 31:16 | — | — | — | — | — | — | — | — | — | — | — | — | — | — | — | — | 0000 |
| | | 15:0 | CHPDAT<7:0> | | | | | | | | | | | | | | | 0000 | |
| 3120 | DCH1CON | 31:16 | — | — | — | — | — | — | — | — | — | — | — | — | — | — | — | — | 0000 |
| | | 15:0 | CHBUSY | — | — | — | — | — | — | CHCHNS | CHEN | CHAED | CHCHN | CHAEN | — | CHEDET | — | CHPRI<1:0> | 0000 |
| 3130 | DCH1ECON | 31:16 | — | — | — | — | — | — | — | — | — | — | — | — | — | — | — | — | 00FF |
| | | 15:0 | CHSIRQ<7:0> | | | | | | | | CFORCE | CABORT | PATEN | SIRQEN | AIRQEN | — | — | — | FF00 |
| 3140 | DCH1INT | 31:16 | — | — | — | — | — | — | — | — | — | — | — | — | — | — | — | — | 0000 |
| | | 15:0 | — | — | — | — | — | — | — | — | CHSDIE | CHSHIE | CHDDIE | CHDHIE | CHBCIE | CHCCIE | CHTAIE | CHERIE | 0000 |
| 3150 | DCH1SSA | 31:16 | CHSSA<31:0> | | | | | | | | | | | | | | | 0000 | |
| | | 15:0 | | | | | | | | | | | | | | | | 0000 | |
| 3160 | DCH1DSA | 31:16 | CHDSA<31:0> | | | | | | | | | | | | | | | 0000 | |
| | | 15:0 | | | | | | | | | | | | | | | | 0000 | |

Legend: x = unknown value on Reset; — = unimplemented, read as '0'. Reset values are shown in hexadecimal.

Note 1: All registers in this table have corresponding CLR, SET and INV registers at their virtual addresses, plus offsets of 0x4, 0x8 and 0xC, respectively. See [12.2 “CLR, SET and INV Registers”](#) for more information.

TABLE 9-3: DMA CHANNELS 0-3 REGISTER MAP (CONTINUED)

| Virtual Address (BF88_#) | Register Name ⁽¹⁾ | Bit Range | Bits | | | | | | | | | | | | | | | | All Resets |
|--------------------------|------------------------------|-----------|--------------|-------|-------|-------|-------|-------|------|--------|------|-------|--------|--------|-------|--------|--------|------------|------------|
| | | | 31/15 | 30/14 | 29/13 | 28/12 | 27/11 | 26/10 | 25/9 | 24/8 | 23/7 | 22/6 | 21/5 | 20/4 | 19/3 | 18/2 | 17/1 | 16/0 | |
| 3170 | DCH1SSIZ | 31:16 | — | — | — | — | — | — | — | — | — | — | — | — | — | — | — | — | 0000 |
| | | 15:0 | CHSSIZ<15:0> | | | | | | | | | | | | | | | | 0000 |
| 3180 | DCH1DSIZ | 31:16 | — | — | — | — | — | — | — | — | — | — | — | — | — | — | — | — | 0000 |
| | | 15:0 | CHDSIZ<15:0> | | | | | | | | | | | | | | | | 0000 |
| 3190 | DCH1SPTR | 31:16 | — | — | — | — | — | — | — | — | — | — | — | — | — | — | — | — | 0000 |
| | | 15:0 | CHSPTR<15:0> | | | | | | | | | | | | | | | | 0000 |
| 31A0 | DCH1DPTR | 31:16 | — | — | — | — | — | — | — | — | — | — | — | — | — | — | — | — | 0000 |
| | | 15:0 | CHDPTR<15:0> | | | | | | | | | | | | | | | | 0000 |
| 31B0 | DCH1CSIZ | 31:16 | — | — | — | — | — | — | — | — | — | — | — | — | — | — | — | — | 0000 |
| | | 15:0 | CHCSIZ<15:0> | | | | | | | | | | | | | | | | 0000 |
| 31C0 | DCH1CPTR | 31:16 | — | — | — | — | — | — | — | — | — | — | — | — | — | — | — | — | 0000 |
| | | 15:0 | CHCPTR<15:0> | | | | | | | | | | | | | | | | 0000 |
| 31D0 | DCH1DAT | 31:16 | — | — | — | — | — | — | — | — | — | — | — | — | — | — | — | — | 0000 |
| | | 15:0 | CHPDAT<7:0> | | | | | | | | | | | | | | | | 0000 |
| 31E0 | DCH2CON | 31:16 | — | — | — | — | — | — | — | — | — | — | — | — | — | — | — | — | 0000 |
| | | 15:0 | CHBUSY | — | — | — | — | — | — | CHCHNS | CHEN | CHAED | CHCHN | CHAEN | — | CHEDET | — | CHPRI<1:0> | 0000 |
| 31F0 | DCH2ECON | 31:16 | — | — | — | — | — | — | — | — | — | — | — | — | — | — | — | — | 00FF |
| | | 15:0 | CHSIRQ<7:0> | | | | | | | | | | CFORCE | CABORT | PATEN | SIRQEN | AIRQEN | — | — |
| 3200 | DCH2INT | 31:16 | — | — | — | — | — | — | — | — | — | — | — | — | — | — | — | — | 0000 |
| | | 15:0 | — | — | — | — | — | — | — | — | — | — | — | — | — | — | — | — | 0000 |
| 3210 | DCH2SSA | 31:16 | CHSSA<31:0> | | | | | | | | | | | | | | | | 0000 |
| | | 15:0 | CHSSA<31:0> | | | | | | | | | | | | | | | | 0000 |
| 3220 | DCH2DSA | 31:16 | CHDSA<31:0> | | | | | | | | | | | | | | | | 0000 |
| | | 15:0 | CHDSA<31:0> | | | | | | | | | | | | | | | | 0000 |
| 3230 | DCH2SSIZ | 31:16 | — | — | — | — | — | — | — | — | — | — | — | — | — | — | — | — | 0000 |
| | | 15:0 | CHSSIZ<15:0> | | | | | | | | | | | | | | | | 0000 |
| 3240 | DCH2DSIZ | 31:16 | — | — | — | — | — | — | — | — | — | — | — | — | — | — | — | — | 0000 |
| | | 15:0 | CHDSIZ<15:0> | | | | | | | | | | | | | | | | 0000 |
| 3250 | DCH2SPTR | 31:16 | — | — | — | — | — | — | — | — | — | — | — | — | — | — | — | — | 0000 |
| | | 15:0 | CHSPTR<15:0> | | | | | | | | | | | | | | | | 0000 |
| 3260 | DCH2DPTR | 31:16 | — | — | — | — | — | — | — | — | — | — | — | — | — | — | — | — | 0000 |
| | | 15:0 | CHDPTR<15:0> | | | | | | | | | | | | | | | | 0000 |
| 3270 | DCH2CSIZ | 31:16 | — | — | — | — | — | — | — | — | — | — | — | — | — | — | — | — | 0000 |
| | | 15:0 | CHCSIZ<15:0> | | | | | | | | | | | | | | | | 0000 |

Legend: x = unknown value on Reset; — = unimplemented, read as '0'. Reset values are shown in hexadecimal.

Note 1: All registers in this table have corresponding CLR, SET and INV registers at their virtual addresses, plus offsets of 0x4, 0x8 and 0xC, respectively. See 12.2 “CLR, SET and INV Registers” for more information.

TABLE 9-3: DMA CHANNELS 0-3 REGISTER MAP (CONTINUED)

| Virtual Address (BF88_#) | Register Name ⁽¹⁾ | Bit Range | Bits | | | | | | | | | | | | | | | All Resets | |
|-----------------------------|---------------------------------|-----------|--------------|-------|-------|-------|-------|--------|--------|--------|--------|--------|--------|--------|--------|--------|------------|------------|------|
| | | | 31/15 | 30/14 | 29/13 | 28/12 | 27/11 | 26/10 | 25/9 | 24/8 | 23/7 | 22/6 | 21/5 | 20/4 | 19/3 | 18/2 | 17/1 | | 16/0 |
| 3280 | DCH2CPTR | 31:16 | — | — | — | — | — | — | — | — | — | — | — | — | — | — | — | — | 0000 |
| | | 15:0 | CHCPTR<15:0> | | | | | | | | | | | | | | | 0000 | |
| 3290 | DCH2DAT | 31:16 | — | — | — | — | — | — | — | — | — | — | — | — | — | — | — | — | 0000 |
| | | 15:0 | CHPDAT<7:0> | | | | | | | | | | | | | | | 0000 | |
| 32A0 | DCH3CON | 31:16 | — | — | — | — | — | — | — | — | — | — | — | — | — | — | — | — | 0000 |
| | | 15:0 | CHBUSY | — | — | — | — | — | — | CHCHNS | CHEN | CHAED | CHCHN | CHAEN | — | CHEDET | CHPRI<1:0> | — | 0000 |
| 32B0 | DCH3ECON | 31:16 | — | — | — | — | — | — | — | — | — | — | — | — | — | — | — | — | 00FF |
| | | 15:0 | CHSIRQ<7:0> | | | | | CFORCE | CABORT | PATEN | SIRQEN | AIRQEN | — | — | — | — | — | — | FF00 |
| 32C0 | DCH3INT | 31:16 | — | — | — | — | — | — | — | — | — | — | — | — | — | — | — | — | 0000 |
| | | 15:0 | — | — | — | — | — | — | — | — | CHSDIE | CHSHIE | CHDDIE | CHDHIE | CHBCIE | CHCCIE | CHTAIE | CHERIE | 0000 |
| 32D0 | DCH3SSA | 31:16 | CHSSA<31:0> | | | | | | | | | | | | | | | 0000 | |
| | | 15:0 | | | | | | | | | | | | | | | | 0000 | |
| 32E0 | DCH3DSA | 31:16 | CHDSA<31:0> | | | | | | | | | | | | | | | 0000 | |
| | | 15:0 | | | | | | | | | | | | | | | | 0000 | |
| 32F0 | DCH3SSIZ | 31:16 | — | — | — | — | — | — | — | — | — | — | — | — | — | — | — | — | 0000 |
| | | 15:0 | CHSSIZ<15:0> | | | | | | | | | | | | | | | 0000 | |
| 3300 | DCH3DSIZ | 31:16 | — | — | — | — | — | — | — | — | — | — | — | — | — | — | — | — | 0000 |
| | | 15:0 | CHDSIZ<15:0> | | | | | | | | | | | | | | | 0000 | |
| 3310 | DCH3SPTR | 31:16 | — | — | — | — | — | — | — | — | — | — | — | — | — | — | — | — | 0000 |
| | | 15:0 | CHSPTR<15:0> | | | | | | | | | | | | | | | 0000 | |
| 3320 | DCH3DPTR | 31:16 | — | — | — | — | — | — | — | — | — | — | — | — | — | — | — | — | 0000 |
| | | 15:0 | CHDPTR<15:0> | | | | | | | | | | | | | | | 0000 | |
| 3330 | DCH3CSIZ | 31:16 | — | — | — | — | — | — | — | — | — | — | — | — | — | — | — | — | 0000 |
| | | 15:0 | CHCSIZ<15:0> | | | | | | | | | | | | | | | 0000 | |
| 3340 | DCH3CPTR | 31:16 | — | — | — | — | — | — | — | — | — | — | — | — | — | — | — | — | 0000 |
| | | 15:0 | CHCPTR<15:0> | | | | | | | | | | | | | | | 0000 | |
| 3350 | DCH3DAT | 31:16 | — | — | — | — | — | — | — | — | — | — | — | — | — | — | — | — | 0000 |
| | | 15:0 | CHPDAT<7:0> | | | | | | | | | | | | | | | 0000 | |

Legend: x = unknown value on Reset; — = unimplemented, read as '0'. Reset values are shown in hexadecimal.

Note 1: All registers in this table have corresponding CLR, SET and INV registers at their virtual addresses, plus offsets of 0x4, 0x8 and 0xC, respectively. See [12.2 "CLR, SET and INV Registers"](#) for more information.

PIC32MX1XX/2XX 28/44-PIN XLP FAMILY

REGISTER 9-1: DMACON: DMA CONTROLLER CONTROL REGISTER

| Bit Range | Bit 31/23/15/7 | Bit 30/22/14/6 | Bit 29/21/13/5 | Bit 28/20/12/4 | Bit 27/19/11/3 | Bit 26/18/10/2 | Bit 25/17/9/1 | Bit 24/16/8/0 |
|-----------|----------------------------|----------------|----------------|------------------|------------------|----------------|---------------|---------------|
| 31:24 | U-0 — | U-0 — | U-0 — | U-0 — | U-0 — | U-0 — | U-0 — | U-0 — |
| 23:16 | U-0 — | U-0 — | U-0 — | U-0 — | U-0 — | U-0 — | U-0 — | U-0 — |
| 15:8 | R/W-0 ON ⁽¹⁾ | U-0 — | U-0 — | R/W-0 SUSPEND | R/W-0 DMABUSY | U-0 — | U-0 — | U-0 — |
| 7:0 | U-0 — | U-0 — | U-0 — | U-0 — | U-0 — | U-0 — | U-0 — | U-0 — |

Legend:

R = Readable bit W = Writable bit U = Unimplemented bit, read as '0'
 -n = Value at POR '1' = Bit is set '0' = Bit is cleared x = Bit is unknown

bit 31-16 **Unimplemented:** Read as '0'

bit 15 **ON:** DMA On bit⁽¹⁾

- 1 = DMA module is enabled
- 0 = DMA module is disabled

bit 14-13 **Unimplemented:** Read as '0'

bit 12 **SUSPEND:** DMA Suspend bit

- 1 = DMA transfers are suspended to allow CPU uninterrupted access to data bus
- 0 = DMA operates normally

bit 11 **DMABUSY:** DMA Module Busy bit

- 1 = DMA module is active
- 0 = DMA module is disabled and not actively transferring data

bit 10-0 **Unimplemented:** Read as '0'

Note 1: When using 1:1 PBCLK divisor, the user's software should not read/write the peripheral's SFRs in the SYSCLK cycle immediately following the instruction that clears the module's ON bit.

PIC32MX1XX/2XX 28/44-PIN XLP FAMILY

REGISTER 9-2: DMASTAT: DMA STATUS REGISTER

| Bit Range | Bit 31/23/15/7 | Bit 30/22/14/6 | Bit 29/21/13/5 | Bit 28/20/12/4 | Bit 27/19/11/3 | Bit 26/18/10/2 | Bit 25/17/9/1 | Bit 24/16/8/0 |
|-----------|----------------|----------------|----------------|----------------|----------------|----------------|---------------|---------------|
| 31:24 | U-0 | U-0 | U-0 | U-0 | U-0 | U-0 | U-0 | U-0 |
| | — | — | — | — | — | — | — | — |
| 23:16 | U-0 | U-0 | U-0 | U-0 | U-0 | U-0 | U-0 | U-0 |
| | — | — | — | — | — | — | — | — |
| 15:8 | U-0 | U-0 | U-0 | U-0 | U-0 | U-0 | U-0 | U-0 |
| | — | — | — | — | — | — | — | — |
| 7:0 | U-0 | U-0 | U-0 | U-0 | R-0 | R-0 | R-0 | R-0 |
| | — | — | — | — | RDWR | DMACH<2:0> | | |

Legend:

R = Readable bit W = Writable bit U = Unimplemented bit, read as '0'
 -n = Value at POR '1' = Bit is set '0' = Bit is cleared x = Bit is unknown

bit 31-4 **Unimplemented:** Read as '0'

bit 3 **RDWR:** Read/Write Status bit
 1 = Last DMA bus access was a read
 0 = Last DMA bus access was a write

bit 2-0 **DMACH<2:0>:** DMA Channel bits
 These bits contain the value of the most recent active DMA channel.

REGISTER 9-3: DMAADDR: DMA ADDRESS REGISTER

| Bit Range | Bit 31/23/15/7 | Bit 30/22/14/6 | Bit 29/21/13/5 | Bit 28/20/12/4 | Bit 27/19/11/3 | Bit 26/18/10/2 | Bit 25/17/9/1 | Bit 24/16/8/0 |
|-----------|----------------|----------------|----------------|----------------|----------------|----------------|---------------|---------------|
| 31:24 | R-0 | R-0 | R-0 | R-0 | R-0 | R-0 | R-0 | R-0 |
| | DMAADDR<31:24> | | | | | | | |
| 23:16 | R-0 | R-0 | R-0 | R-0 | R-0 | R-0 | R-0 | R-0 |
| | DMAADDR<23:16> | | | | | | | |
| 15:8 | R-0 | R-0 | R-0 | R-0 | R-0 | R-0 | R-0 | R-0 |
| | DMAADDR<15:8> | | | | | | | |
| 7:0 | R-0 | R-0 | R-0 | R-0 | R-0 | R-0 | R-0 | R-0 |
| | DMAADDR<7:0> | | | | | | | |

Legend:

R = Readable bit W = Writable bit U = Unimplemented bit, read as '0'
 -n = Value at POR '1' = Bit is set '0' = Bit is cleared x = Bit is unknown

bit 31-0 **DMAADDR<31:0>:** DMA Module Address bits
 These bits contain the address of the most recent DMA access.

PIC32MX1XX/2XX 28/44-PIN XLP FAMILY

REGISTER 9-4: DCRCCON: DMA CRC CONTROL REGISTER

| Bit Range | Bit 31/23/15/7 | Bit 30/22/14/6 | Bit 29/21/13/5 | Bit 28/20/12/4 | Bit 27/19/11/3 | Bit 26/18/10/2 | Bit 25/17/9/1 | Bit 24/16/8/0 |
|-----------|----------------|------------------------|----------------|----------------|--------------------|----------------|---------------|---------------|
| 31:24 | U-0 | U-0 | R/W-0 | R/W-0 | R/W-0 | U-0 | U-0 | R/W-0 |
| | — | — | BYTO<1:0> | | WBO ⁽¹⁾ | — | — | BITO |
| 23:16 | U-0 | U-0 | U-0 | U-0 | U-0 | U-0 | U-0 | U-0 |
| | — | — | — | — | — | — | — | — |
| 15:8 | U-0 | U-0 | U-0 | R/W-0 | R/W-0 | R/W-0 | R/W-0 | R/W-0 |
| | — | — | — | PLEN<4:0> | | | | |
| 7:0 | R/W-0 | R/W-0 | R/W-0 | U-0 | U-0 | R/W-0 | R/W-0 | R/W-0 |
| | CRCCEN | CRCCAPP ⁽¹⁾ | CRCC TYP | — | — | CRCCCH<2:0> | | |

Legend:

R = Readable bit W = Writable bit U = Unimplemented bit, read as '0'
 -n = Value at POR '1' = Bit is set '0' = Bit is cleared x = Bit is unknown

bit 31-30 **Unimplemented:** Read as '0'

bit 29-28 **BYTO<1:0>:** CRC Byte Order Selection bits

- 11 = Endian byte swap on half-word boundaries (i.e., source half-word order with reverse source byte order per half-word)
- 10 = Swap half-words on word boundaries (i.e., reverse source half-word order with source byte order per half-word)
- 01 = Endian byte swap on word boundaries (i.e., reverse source byte order)
- 00 = No swapping (i.e., source byte order)

bit 27 **WBO:** CRC Write Byte Order Selection bit⁽¹⁾

- 1 = Source data is written to the destination re-ordered as defined by BYTO<1:0>
- 0 = Source data is written to the destination unaltered

bit 26-25 **Unimplemented:** Read as '0'

bit 24 **BITO:** CRC Bit Order Selection bit

When CRCTYP (DCRCCON<15>) = 1 (CRC module is in IP Header mode):

- 1 = The IP header checksum is calculated Least Significant bit (LSb) first (i.e., reflected)
- 0 = The IP header checksum is calculated Most Significant bit (MSb) first (i.e., not reflected)

When CRCTYP (DCRCCON<15>) = 0 (CRC module is in LFSR mode):

- 1 = The LFSR CRC is calculated Least Significant bit first (i.e., reflected)
- 0 = The LFSR CRC is calculated Most Significant bit first (i.e., not reflected)

bit 23-13 **Unimplemented:** Read as '0'

bit 12-8 **PLEN<4:0>:** Polynomial Length bits

When CRCTYP (DCRCCON<15>) = 1 (CRC module is in IP Header mode):

These bits are unused.

When CRCTYP (DCRCCON<15>) = 0 (CRC module is in LFSR mode):

Denotes the length of the polynomial – 1.

bit 7 **CRCCEN:** CRC Enable bit

- 1 = CRC module is enabled and channel transfers are routed through the CRC module
- 0 = CRC module is disabled and channel transfers proceed normally

Note 1: When WBO = 1, unaligned transfers are not supported and the CRCCAPP bit cannot be set.

PIC32MX1XX/2XX 28/44-PIN XLP FAMILY

REGISTER 9-4: DCRCCON: DMA CRC CONTROL REGISTER (CONTINUED)

- bit 6 **CRCAPP:** CRC Append Mode bit⁽¹⁾
1 = The DMA transfers data from the source into the CRC but NOT to the destination. When a block transfer completes the DMA writes the calculated CRC value to the location given by CHxDSA
0 = The DMA transfers data from the source through the CRC obeying WBO as it writes the data to the destination
- bit 5 **CRCTYP:** CRC Type Selection bit
1 = The CRC module will calculate an IP header checksum
0 = The CRC module will calculate a LFSR CRC
- bit 4-3 **Unimplemented:** Read as '0'
- bit 2-0 **CRCCH<2:0>:** CRC Channel Select bits
111 = Reserved
110 = Reserved
101 = Reserved
100 = Reserved
011 = CRC is assigned to Channel 3
010 = CRC is assigned to Channel 2
001 = CRC is assigned to Channel 1
000 = CRC is assigned to Channel 0

Note 1: When WBO = 1, unaligned transfers are not supported and the CRCAPP bit cannot be set.

PIC32MX1XX/2XX 28/44-PIN XLP FAMILY

REGISTER 9-5: DCRCDATA: DMA CRC DATA REGISTER

| Bit Range | Bit 31/23/15/7 | Bit 30/22/14/6 | Bit 29/21/13/5 | Bit 28/20/12/4 | Bit 27/19/11/3 | Bit 26/18/10/2 | Bit 25/17/9/1 | Bit 24/16/8/0 |
|-----------------|----------------|----------------|----------------|----------------|----------------|----------------|---------------|---------------|
| 31:24 | R/W-0 | R/W-0 | R/W-0 | R/W-0 | R/W-0 | R/W-0 | R/W-0 | R/W-0 |
| DCRCDATA<31:24> | | | | | | | | |
| 23:16 | R/W-0 | R/W-0 | R/W-0 | R/W-0 | R/W-0 | R/W-0 | R/W-0 | R/W-0 |
| DCRCDATA<23:16> | | | | | | | | |
| 15:8 | R/W-0 | R/W-0 | R/W-0 | R/W-0 | R/W-0 | R/W-0 | R/W-0 | R/W-0 |
| DCRCDATA<15:8> | | | | | | | | |
| 7:0 | R/W-0 | R/W-0 | R/W-0 | R/W-0 | R/W-0 | R/W-0 | R/W-0 | R/W-0 |
| DCRCDATA<7:0> | | | | | | | | |

Legend:

R = Readable bit W = Writable bit U = Unimplemented bit, read as '0'
 -n = Value at POR '1' = Bit is set '0' = Bit is cleared x = Bit is unknown

bit 31-0 **DCRCDATA<31:0>**: CRC Data Register bits

Writing to this register will seed the CRC generator. Reading from this register will return the current value of the CRC. Bits greater than PLEN will return '0' on any read.

When CRCTYP (DCRCCON<15>) = 1 (CRC module is in IP Header mode):

Only the lower 16 bits contain IP header checksum information. The upper 16 bits are always '0'. Data written to this register is converted and read back in 1's complement form (i.e., current IP header checksum value).

When CRCTYP (DCRCCON<15>) = 0 (CRC module is in LFSR mode):

Bits greater than PLEN will return '0' on any read.

REGISTER 9-6: DCRCXOR: DMA CRCXOR ENABLE REGISTER

| Bit Range | Bit 31/23/15/7 | Bit 30/22/14/6 | Bit 29/21/13/5 | Bit 28/20/12/4 | Bit 27/19/11/3 | Bit 26/18/10/2 | Bit 25/17/9/1 | Bit 24/16/8/0 |
|----------------|----------------|----------------|----------------|----------------|----------------|----------------|---------------|---------------|
| 31:24 | R/W-0 | R/W-0 | R/W-0 | R/W-0 | R/W-0 | R/W-0 | R/W-0 | R/W-0 |
| DCRCXOR<31:24> | | | | | | | | |
| 23:16 | R/W-0 | R/W-0 | R/W-0 | R/W-0 | R/W-0 | R/W-0 | R/W-0 | R/W-0 |
| DCRCXOR<23:16> | | | | | | | | |
| 15:8 | R/W-0 | R/W-0 | R/W-0 | R/W-0 | R/W-0 | R/W-0 | R/W-0 | R/W-0 |
| DCRCXOR<15:8> | | | | | | | | |
| 7:0 | R/W-0 | R/W-0 | R/W-0 | R/W-0 | R/W-0 | R/W-0 | R/W-0 | R/W-0 |
| DCRCXOR<7:0> | | | | | | | | |

Legend:

R = Readable bit W = Writable bit U = Unimplemented bit, read as '0'
 -n = Value at POR '1' = Bit is set '0' = Bit is cleared x = Bit is unknown

bit 31-0 **DCRCXOR<31:0>**: CRC XOR Register bits

When CRCTYP (DCRCCON<15>) = 1 (CRC module is in IP Header mode):

This register is unused.

When CRCTYP (DCRCCON<15>) = 0 (CRC module is in LFSR mode):

1 = Enable the XOR input to the Shift register

0 = Disable the XOR input to the Shift register; data is shifted in directly from the previous stage in the register

PIC32MX1XX/2XX 28/44-PIN XLP FAMILY

REGISTER 9-7: DCHxCON: DMA CHANNEL 'x' CONTROL REGISTER

| Bit Range | Bit 31/23/15/7 | Bit 30/22/14/6 | Bit 29/21/13/5 | Bit 28/20/12/4 | Bit 27/19/11/3 | Bit 26/18/10/2 | Bit 25/17/9/1 | Bit 24/16/8/0 |
|-----------|---------------------|----------------|----------------|----------------|----------------|----------------|---------------|-----------------------|
| 31:24 | U-0 | U-0 | U-0 | U-0 | U-0 | U-0 | U-0 | U-0 |
| | — | — | — | — | — | — | — | — |
| 23:16 | U-0 | U-0 | U-0 | U-0 | U-0 | U-0 | U-0 | U-0 |
| | — | — | — | — | — | — | — | — |
| 15:8 | R/W-0 | U-0 | U-0 | U-0 | U-0 | U-0 | U-0 | R/W-0 |
| | CHBUSY | — | — | — | — | — | — | CHCHNS ⁽¹⁾ |
| 7:0 | R/W-0 | R/W-0 | R/W-0 | R/W-0 | U-0 | R-0 | R/W-0 | R/W-0 |
| | CHEN ⁽²⁾ | CHAED | CHCHN | CHAEN | — | CHEDET | CHPRI<1:0> | |

Legend:

R = Readable bit W = Writable bit U = Unimplemented bit, read as '0'
 -n = Value at POR '1' = Bit is set '0' = Bit is cleared x = Bit is unknown

- bit 31-16 **Unimplemented:** Read as '0'
- bit 15 **CHBUSY:** Channel Busy bit
 1 = Channel is active or has been enabled
 0 = Channel is inactive or has been disabled
- bit 14-9 **Unimplemented:** Read as '0'
- bit 8 **CHCHNS:** Chain Channel Selection bit⁽¹⁾
 1 = Chain to channel lower in natural priority (CH1 will be enabled by CH2 transfer complete)
 0 = Chain to channel higher in natural priority (CH1 will be enabled by CH0 transfer complete)
- bit 7 **CHEN:** Channel Enable bit⁽²⁾
 1 = Channel is enabled
 0 = Channel is disabled
- bit 6 **CHAED:** Channel Allow Events If Disabled bit
 1 = Channel start/abort events will be registered, even if the channel is disabled
 0 = Channel start/abort events will be ignored if the channel is disabled
- bit **CHCHN:** Channel Chain Enable bit
 1 = Allow channel to be chained
 0 = Do not allow channel to be chained
- bit 4 **CHAEN:** Channel Automatic Enable bit
 1 = Channel is continuously enabled, and not automatically disabled after a block transfer is complete
 0 = Channel is disabled on block transfer complete
- bit 3 **Unimplemented:** Read as '0'
- bit 2 **CHEDET:** Channel Event Detected bit
 1 = An event has been detected
 0 = No events have been detected
- bit 1-0 **CHPRI<1:0>:** Channel Priority bits
 11 = Channel has priority 3 (highest)
 10 = Channel has priority 2
 01 = Channel has priority 1
 00 = Channel has priority 0

Note 1: The chain selection bit takes effect when chaining is enabled (i.e., CHCHN = 1).
Note 2: When the channel is suspended by clearing this bit, the user application should poll the CHBUSY bit (if available on the device variant) to see when the channel is suspended, as it may take some clock cycles to complete a current transaction before the channel is suspended.

PIC32MX1XX/2XX 28/44-PIN XLP FAMILY

REGISTER 9-8: DCHxECON: DMA CHANNEL 'x' EVENT CONTROL REGISTER

| Bit Range | Bit 31/23/15/7 | Bit 30/22/14/6 | Bit 29/21/13/5 | Bit 28/20/12/4 | Bit 27/19/11/3 | Bit 26/18/10/2 | Bit 25/17/9/1 | Bit 24/16/8/0 |
|----------------------------|----------------|----------------|----------------|-----------------|-----------------|----------------|---------------|---------------|
| 31:24 | U-0 — | U-0 — | U-0 — | U-0 — | U-0 — | U-0 — | U-0 — | U-0 — |
| 23:16 | R/W-1 | R/W-1 | R/W-1 | R/W-1 | R/W-1 | R/W-1 | R/W-1 | R/W-1 |
| CHAIRQ<7:0> ⁽¹⁾ | | | | | | | | |
| 15:8 | R/W-1 | R/W-1 | R/W-1 | R/W-1 | R/W-1 | R/W-1 | R/W-1 | R/W-1 |
| CHSIRQ<7:0> ⁽¹⁾ | | | | | | | | |
| 7:0 | S-0 CFORCE | S-0 CABORT | R/W-0 PATEN | R/W-0 SIRQEN | R/W-0 AIRQEN | U-0 — | U-0 — | U-0 — |

| | |
|-------------------|------------------------------------|
| Legend: | S = Settable bit |
| R = Readable bit | W = Writable bit |
| -n = Value at POR | '1' = Bit is set |
| | U = Unimplemented bit, read as '0' |
| | '0' = Bit is cleared |
| | x = Bit is unknown |

bit 31-24 **Unimplemented:** Read as '0'

bit 23-16 **CHAIRQ<7:0>**: Channel Transfer Abort IRQ bits⁽¹⁾

11111111 = Interrupt 255 will abort any transfers in progress and set CHAIF flag

-
-
-

00000001 = Interrupt 1 will abort any transfers in progress and set CHAIF flag

00000000 = Interrupt 0 will abort any transfers in progress and set CHAIF flag

bit 15-8 **CHSIRQ<7:0>**: Channel Transfer Start IRQ bits⁽¹⁾

11111111 = Interrupt 255 will initiate a DMA transfer

-
-
-

00000001 = Interrupt 1 will initiate a DMA transfer

00000000 = Interrupt 0 will initiate a DMA transfer

bit 7 **CFORCE**: DMA Forced Transfer bit

1 = A DMA transfer is forced to begin when this bit is written to a '1'

0 = This bit always reads '0'

bit 6 **CABORT**: DMA Abort Transfer bit

1 = A DMA transfer is aborted when this bit is written to a '1'

0 = This bit always reads '0'

bit 5 **PATEN**: Channel Pattern Match Abort Enable bit

1 = Abort transfer and clear CHEN on pattern match

0 = Pattern match is disabled

bit 4 **SIRQEN**: Channel Start IRQ Enable bit

1 = Start channel cell transfer if an interrupt matching CHSIRQ occurs

0 = Interrupt number CHSIRQ is ignored and does not start a transfer

bit 3 **AIRQEN**: Channel Abort IRQ Enable bit

1 = Channel transfer is aborted if an interrupt matching CHAIRQ occurs

0 = Interrupt number CHAIRQ is ignored and does not terminate a transfer

bit 2-0 **Unimplemented:** Read as '0'

Note 1: See [Table 7-1: "Interrupt IRQ, Vector and Bit Location"](#) for the list of available interrupt IRQ sources.

PIC32MX1XX/2XX 28/44-PIN XLP FAMILY

REGISTER 9-9: DCHxINT: DMA CHANNEL 'x' INTERRUPT CONTROL REGISTER

| Bit Range | Bit 31/23/15/7 | Bit 30/22/14/6 | Bit 29/21/13/5 | Bit 28/20/12/4 | Bit 27/19/11/3 | Bit 26/18/10/2 | Bit 25/17/9/1 | Bit 24/16/8/0 |
|-----------|-----------------|-----------------|-----------------|-----------------|-----------------|-----------------|-----------------|-----------------|
| 31:24 | U-0 — | U-0 — | U-0 — | U-0 — | U-0 — | U-0 — | U-0 — | U-0 — |
| 23:16 | R/W-0 CHSDIE | R/W-0 CHSHIE | R/W-0 CHDDIE | R/W-0 CHDHIE | R/W-0 CHBCIE | R/W-0 CHCCIE | R/W-0 CHTAIE | R/W-0 CHERIE |
| 15:8 | U-0 — | U-0 — | U-0 — | U-0 — | U-0 — | U-0 — | U-0 — | U-0 — |
| 7:0 | R/W-0 CHSDIF | R/W-0 CHSHIF | R/W-0 CHDDIF | R/W-0 CHDHIF | R/W-0 CHBCIF | R/W-0 CHCCIF | R/W-0 CHTAIF | R/W-0 CHERIF |

Legend:

| | | |
|-------------------|------------------|--|
| R = Readable bit | W = Writable bit | U = Unimplemented bit, read as '0' |
| -n = Value at POR | '1' = Bit is set | '0' = Bit is cleared x = Bit is unknown |

bit 31-24 **Unimplemented:** Read as '0'

bit 23 **CHSDIE:** Channel Source Done Interrupt Enable bit

1 = Interrupt is enabled
0 = Interrupt is disabled

bit 22 **CHSHIE:** Channel Source Half Empty Interrupt Enable bit

1 = Interrupt is enabled
0 = Interrupt is disabled

bit 21 **CHDDIE:** Channel Destination Done Interrupt Enable bit

1 = Interrupt is enabled
0 = Interrupt is disabled

bit 20 **CHDHIE:** Channel Destination Half Full Interrupt Enable bit

1 = Interrupt is enabled
0 = Interrupt is disabled

bit 19 **CHBCIE:** Channel Block Transfer Complete Interrupt Enable bit

1 = Interrupt is enabled
0 = Interrupt is disabled

bit 18 **CHCCIE:** Channel Cell Transfer Complete Interrupt Enable bit

1 = Interrupt is enabled
0 = Interrupt is disabled

bit 17 **CHTAIE:** Channel Transfer Abort Interrupt Enable bit

1 = Interrupt is enabled
0 = Interrupt is disabled

bit 16 **CHERIE:** Channel Address Error Interrupt Enable bit

1 = Interrupt is enabled
0 = Interrupt is disabled

bit 15-8 **Unimplemented:** Read as '0'

bit 7 **CHSDIF:** Channel Source Done Interrupt Flag bit

1 = Channel Source Pointer has reached end of source (CHSPTR = CHSSIZ)
0 = No interrupt is pending

bit 6 **CHSHIF:** Channel Source Half Empty Interrupt Flag bit

1 = Channel Source Pointer has reached midpoint of source (CHSPTR = CHSSIZ/2)
0 = No interrupt is pending

bit 5 **CHDDIF:** Channel Destination Done Interrupt Flag bit

1 = Channel Destination Pointer has reached end of destination (CHDPTR = CHDSIZ)
0 = No interrupt is pending

PIC32MX1XX/2XX 28/44-PIN XLP FAMILY

REGISTER 9-9: DCHxINT: DMA CHANNEL 'x' INTERRUPT CONTROL REGISTER (CONTINUED)

- bit 4 **CHDHIF:** Channel Destination Half Full Interrupt Flag bit
 1 = Channel Destination Pointer has reached midpoint of destination (CHDPTR = CHDSIZ/2)
 0 = No interrupt is pending
- bit 3 **CHBCIF:** Channel Block Transfer Complete Interrupt Flag bit
 1 = A block transfer has been completed (the larger of CHSSIZ/CHDSIZ bytes has been transferred), or a
 pattern match event occurs
 0 = No interrupt is pending
- bit 2 **CHCCIF:** Channel Cell Transfer Complete Interrupt Flag bit
 1 = A cell transfer has been completed (CHCSIZ bytes have been transferred)
 0 = No interrupt is pending
- bit 1 **CHTAIF:** Channel Transfer Abort Interrupt Flag bit
 1 = An interrupt matching CHAIRQ has been detected and the DMA transfer has been aborted
 0 = No interrupt is pending
- bit 0 **CHERIF:** Channel Address Error Interrupt Flag bit
 1 = A channel address error has been detected (either the source or the destination address is invalid)
 0 = No interrupt is pending

PIC32MX1XX/2XX 28/44-PIN XLP FAMILY

REGISTER 9-10: DCHxSSA: DMA CHANNEL 'x' SOURCE START ADDRESS REGISTER

| Bit Range | Bit 31/23/15/7 | Bit 30/22/14/6 | Bit 29/21/13/5 | Bit 28/20/12/4 | Bit 27/19/11/3 | Bit 26/18/10/2 | Bit 25/17/9/1 | Bit 24/16/8/0 |
|-----------|----------------|----------------|----------------|----------------|----------------|----------------|---------------|---------------|
| 31:24 | R/W-0 | R/W-0 | R/W-0 | R/W-0 | R/W-0 | R/W-0 | R/W-0 | R/W-0 |
| | CHSSA<31:24> | | | | | | | |
| 23:16 | R/W-0 | R/W-0 | R/W-0 | R/W-0 | R/W-0 | R/W-0 | R/W-0 | R/W-0 |
| | CHSSA<23:16> | | | | | | | |
| 15:8 | R/W-0 | R/W-0 | R/W-0 | R/W-0 | R/W-0 | R/W-0 | R/W-0 | R/W-0 |
| | CHSSA<15:8> | | | | | | | |
| 7:0 | R/W-0 | R/W-0 | R/W-0 | R/W-0 | R/W-0 | R/W-0 | R/W-0 | R/W-0 |
| | CHSSA<7:0> | | | | | | | |

Legend:

R = Readable bit W = Writable bit U = Unimplemented bit, read as '0'
 -n = Value at POR '1' = Bit is set '0' = Bit is cleared x = Bit is unknown

bit 31-0 **CHSSA<31:0>** Channel Source Start Address bits
 Channel source start address.

Note: This must be the physical address of the source.

REGISTER 9-11: DCHxDISA: DMA CHANNEL 'x' DESTINATION START ADDRESS REGISTER

| Bit Range | Bit 31/23/15/7 | Bit 30/22/14/6 | Bit 29/21/13/5 | Bit 28/20/12/4 | Bit 27/19/11/3 | Bit 26/18/10/2 | Bit 25/17/9/1 | Bit 24/16/8/0 |
|-----------|----------------|----------------|----------------|----------------|----------------|----------------|---------------|---------------|
| 31:24 | R/W-0 | R/W-0 | R/W-0 | R/W-0 | R/W-0 | R/W-0 | R/W-0 | R/W-0 |
| | CHDSA<31:24> | | | | | | | |
| 23:16 | R/W-0 | R/W-0 | R/W-0 | R/W-0 | R/W-0 | R/W-0 | R/W-0 | R/W-0 |
| | CHDSA<23:16> | | | | | | | |
| 15:8 | R/W-0 | R/W-0 | R/W-0 | R/W-0 | R/W-0 | R/W-0 | R/W-0 | R/W-0 |
| | CHDSA<15:8> | | | | | | | |
| 7:0 | R/W-0 | R/W-0 | R/W-0 | R/W-0 | R/W-0 | R/W-0 | R/W-0 | R/W-0 |
| | CHDSA<7:0> | | | | | | | |

Legend:

R = Readable bit W = Writable bit U = Unimplemented bit, read as '0'
 -n = Value at POR '1' = Bit is set '0' = Bit is cleared x = Bit is unknown

bit 31-0 **CHDSA<31:0>**: Channel Destination Start Address bits
 Channel destination start address.

Note: This must be the physical address of the destination.

PIC32MX1XX/2XX 28/44-PIN XLP FAMILY

REGISTER 9-12: DCHxSSIZ: DMA CHANNEL 'x' SOURCE SIZE REGISTER

| Bit Range | Bit 31/23/15/7 | Bit 30/22/14/6 | Bit 29/21/13/5 | Bit 28/20/12/4 | Bit 27/19/11/3 | Bit 26/18/10/2 | Bit 25/17/9/1 | Bit 24/16/8/0 |
|-----------|----------------|----------------|----------------|----------------|----------------|----------------|---------------|---------------|
| 31:24 | U-0 | U-0 | U-0 | U-0 | U-0 | U-0 | U-0 | U-0 |
| | — | — | — | — | — | — | — | — |
| 23:16 | U-0 | U-0 | U-0 | U-0 | U-0 | U-0 | U-0 | U-0 |
| | — | — | — | — | — | — | — | — |
| 15:8 | R/W-0 | R/W-0 | R/W-0 | R/W-0 | R/W-0 | R/W-0 | R/W-0 | R/W-0 |
| | CHSSIZ<15:8> | | | | | | | |
| 7:0 | R/W-0 | R/W-0 | R/W-0 | R/W-0 | R/W-0 | R/W-0 | R/W-0 | R/W-0 |
| | CHSSIZ<7:0> | | | | | | | |

Legend:

R = Readable bit W = Writable bit U = Unimplemented bit, read as '0'
-n = Value at POR '1' = Bit is set '0' = Bit is cleared x = Bit is unknown

bit 31-16 **Unimplemented:** Read as '0'
bit 15-0 **CHSSIZ<15:0>**: Channel Source Size bits
1111111111111111 = 65,535 byte source size
•
•
•
0000000000000010 = 2 byte source size
0000000000000001 = 1 byte source size
0000000000000000 = 65,536 byte source size

REGISTER 9-13: DCHxDSIZ: DMA CHANNEL 'x' DESTINATION SIZE REGISTER

| Bit Range | Bit 31/23/15/7 | Bit 30/22/14/6 | Bit 29/21/13/5 | Bit 28/20/12/4 | Bit 27/19/11/3 | Bit 26/18/10/2 | Bit 25/17/9/1 | Bit 24/16/8/0 |
|-----------|----------------|----------------|----------------|----------------|----------------|----------------|---------------|---------------|
| 31:24 | U-0 | U-0 | U-0 | U-0 | U-0 | U-0 | U-0 | U-0 |
| | — | — | — | — | — | — | — | — |
| 23:16 | U-0 | U-0 | U-0 | U-0 | U-0 | U-0 | U-0 | U-0 |
| | — | — | — | — | — | — | — | — |
| 15:8 | R/W-0 | R/W-0 | R/W-0 | R/W-0 | R/W-0 | R/W-0 | R/W-0 | R/W-0 |
| | CHDSIZ<15:8> | | | | | | | |
| 7:0 | R/W-0 | R/W-0 | R/W-0 | R/W-0 | R/W-0 | R/W-0 | R/W-0 | R/W-0 |
| | CHDSIZ<7:0> | | | | | | | |

Legend:

R = Readable bit W = Writable bit U = Unimplemented bit, read as '0'
-n = Value at POR '1' = Bit is set '0' = Bit is cleared x = Bit is unknown

bit 31-16 **Unimplemented:** Read as '0'
bit 15-0 **CHDSIZ<15:0>**: Channel Destination Size bits
1111111111111111 = 65,535 byte destination size
•
•
•
0000000000000010 = 2 byte destination size
0000000000000001 = 1 byte destination size
0000000000000000 = 65,536 byte destination size

PIC32MX1XX/2XX 28/44-PIN XLP FAMILY

REGISTER 9-14: DCHxSPTR: DMA CHANNEL 'x' SOURCE POINTER REGISTER

| Bit Range | Bit 31/23/15/7 | Bit 30/22/14/6 | Bit 29/21/13/5 | Bit 28/20/12/4 | Bit 27/19/11/3 | Bit 26/18/10/2 | Bit 25/17/9/1 | Bit 24/16/8/0 |
|-----------|----------------|----------------|----------------|----------------|----------------|----------------|---------------|---------------|
| 31:24 | U-0 | U-0 | U-0 | U-0 | U-0 | U-0 | U-0 | U-0 |
| | — | — | — | — | — | — | — | — |
| 23:16 | U-0 | U-0 | U-0 | U-0 | U-0 | U-0 | U-0 | U-0 |
| | — | — | — | — | — | — | — | — |
| 15:8 | R-0 | R-0 | R-0 | R-0 | R-0 | R-0 | R-0 | R-0 |
| | CHSPTR<15:8> | | | | | | | |
| 7:0 | R-0 | R-0 | R-0 | R-0 | R-0 | R-0 | R-0 | R-0 |
| | CHSPTR<7:0> | | | | | | | |

Legend:

R = Readable bit W = Writable bit U = Unimplemented bit, read as '0'
 -n = Value at POR '1' = Bit is set '0' = Bit is cleared x = Bit is unknown

bit 31-16 **Unimplemented:** Read as '0'
 bit 15-0 **CHSPTR<15:0>**: Channel Source Pointer bits
 1111111111111111 = Points to byte 65,535 of the source
 .
 .
 .
 0000000000000001 = Points to byte 1 of the source
 0000000000000000 = Points to byte 0 of the source

Note: When in Pattern Detect mode, this register is reset on a pattern detect.

REGISTER 9-15: DCHxDPTR: DMA CHANNEL 'x' DESTINATION POINTER REGISTER

| Bit Range | Bit 31/23/15/7 | Bit 30/22/14/6 | Bit 29/21/13/5 | Bit 28/20/12/4 | Bit 27/19/11/3 | Bit 26/18/10/2 | Bit 25/17/9/1 | Bit 24/16/8/0 |
|-----------|----------------|----------------|----------------|----------------|----------------|----------------|---------------|---------------|
| 31:24 | U-0 | U-0 | U-0 | U-0 | U-0 | U-0 | U-0 | U-0 |
| | — | — | — | — | — | — | — | — |
| 23:16 | U-0 | U-0 | U-0 | U-0 | U-0 | U-0 | U-0 | U-0 |
| | — | — | — | — | — | — | — | — |
| 15:8 | R-0 | R-0 | R-0 | R-0 | R-0 | R-0 | R-0 | R-0 |
| | CHDPTR<15:8> | | | | | | | |
| 7:0 | R-0 | R-0 | R-0 | R-0 | R-0 | R-0 | R-0 | R-0 |
| | CHDPTR<7:0> | | | | | | | |

Legend:

R = Readable bit W = Writable bit U = Unimplemented bit, read as '0'
 -n = Value at POR '1' = Bit is set '0' = Bit is cleared x = Bit is unknown

bit 31-16 **Unimplemented:** Read as '0'
 bit 15-0 **CHDPTR<15:0>**: Channel Destination Pointer bits
 1111111111111111 = Points to byte 65,535 of the destination
 .
 .
 .
 0000000000000001 = Points to byte 1 of the destination
 0000000000000000 = Points to byte 0 of the destination

PIC32MX1XX/2XX 28/44-PIN XLP FAMILY

REGISTER 9-16: DCHxCSIZ: DMA CHANNEL 'x' CELL-SIZE REGISTER

| Bit Range | Bit 31/23/15/7 | Bit 30/22/14/6 | Bit 29/21/13/5 | Bit 28/20/12/4 | Bit 27/19/11/3 | Bit 26/18/10/2 | Bit 25/17/9/1 | Bit 24/16/8/0 |
|-----------|----------------|----------------|----------------|----------------|----------------|----------------|---------------|---------------|
| 31:24 | U-0 | U-0 | U-0 | U-0 | U-0 | U-0 | U-0 | U-0 |
| | — | — | — | — | — | — | — | — |
| 23:16 | U-0 | U-0 | U-0 | U-0 | U-0 | U-0 | U-0 | U-0 |
| | — | — | — | — | — | — | — | — |
| 15:8 | R/W-0 | R/W-0 | R/W-0 | R/W-0 | R/W-0 | R/W-0 | R/W-0 | R/W-0 |
| | CHCSIZ<15:8> | | | | | | | |
| 7:0 | R/W-0 | R/W-0 | R/W-0 | R/W-0 | R/W-0 | R/W-0 | R/W-0 | R/W-0 |
| | CHCSIZ<7:0> | | | | | | | |

Legend:

R = Readable bit W = Writable bit U = Unimplemented bit, read as '0'
-n = Value at POR '1' = Bit is set '0' = Bit is cleared x = Bit is unknown

bit 31-16 **Unimplemented:** Read as '0'

bit 15-0 **CHCSIZ<15:0>**: Channel Cell Size bits

1111111111111111 = 65,535 bytes transferred on an event
•
•
•
0000000000000010 = 2 bytes transferred on an event
0000000000000001 = 1 byte transferred on an event
0000000000000000 = 65,536 bytes transferred on an event

REGISTER 9-17: DCHxCPTR: DMA CHANNEL 'x' CELL POINTER REGISTER

| Bit Range | Bit 31/23/15/7 | Bit 30/22/14/6 | Bit 29/21/13/5 | Bit 28/20/12/4 | Bit 27/19/11/3 | Bit 26/18/10/2 | Bit 25/17/9/1 | Bit 24/16/8/0 |
|-----------|----------------|----------------|----------------|----------------|----------------|----------------|---------------|---------------|
| 31:24 | U-0 | U-0 | U-0 | U-0 | U-0 | U-0 | U-0 | U-0 |
| | — | — | — | — | — | — | — | — |
| 23:16 | U-0 | U-0 | U-0 | U-0 | U-0 | U-0 | U-0 | U-0 |
| | — | — | — | — | — | — | — | — |
| 15:8 | R-0 | R-0 | R-0 | R-0 | R-0 | R-0 | R-0 | R-0 |
| | CHCPTR<15:8> | | | | | | | |
| 7:0 | R-0 | R-0 | R-0 | R-0 | R-0 | R-0 | R-0 | R-0 |
| | CHCPTR<7:0> | | | | | | | |

Legend:

R = Readable bit W = Writable bit U = Unimplemented bit, read as '0'
-n = Value at POR '1' = Bit is set '0' = Bit is cleared x = Bit is unknown

bit 31-16 **Unimplemented:** Read as '0'

bit 15-0 **CHCPTR<15:0>**: Channel Cell Progress Pointer bits

1111111111111111 = 65,535 bytes have been transferred since the last event
•
•
•
0000000000000001 = 1 byte has been transferred since the last event
0000000000000000 = 0 bytes have been transferred since the last event

Note: When in Pattern Detect mode, this register is reset on a pattern detect.

PIC32MX1XX/2XX 28/44-PIN XLP FAMILY

REGISTER 9-18: DCHxDAT: DMA CHANNEL 'x' PATTERN DATA REGISTER

| Bit Range | Bit 31/23/15/7 | Bit 30/22/14/6 | Bit 29/21/13/5 | Bit 28/20/12/4 | Bit 27/19/11/3 | Bit 26/18/10/2 | Bit 25/17/9/1 | Bit 24/16/8/0 |
|-----------|----------------|----------------|----------------|----------------|----------------|----------------|---------------|---------------|
| 31:24 | U-0 | U-0 | U-0 | U-0 | U-0 | U-0 | U-0 | U-0 |
| | — | — | — | — | — | — | — | — |
| 23:16 | U-0 | U-0 | U-0 | U-0 | U-0 | U-0 | U-0 | U-0 |
| | — | — | — | — | — | — | — | — |
| 15:8 | U-0 | U-0 | U-0 | U-0 | U-0 | U-0 | U-0 | U-0 |
| | — | — | — | — | — | — | — | — |
| 7:0 | R/W-0 | R/W-0 | R/W-0 | R/W-0 | R/W-0 | R/W-0 | R/W-0 | R/W-0 |
| | CHPDAT<7:0> | | | | | | | |

Legend:

R = Readable bit W = Writable bit U = Unimplemented bit, read as '0'
 -n = Value at POR '1' = Bit is set '0' = Bit is cleared x = Bit is unknown

bit 31-8 **Unimplemented:** Read as '0'

bit 7-0 **CHPDAT<7:0>:** Channel Data Register bits

Pattern Terminate mode:

Data to be matched must be stored in this register to allow a "terminate on match".

All other modes:

Unused.

PIC32MX1XX/2XX 28/44-PIN XLP FAMILY

NOTES:

PIC32MX1XX/2XX 28/44-PIN XLP FAMILY

10.0 PREFETCH CACHE

Note: This data sheet summarizes the features of the PIC32MX1XX/2XX 28/44-pin XLP Family family of devices. It is not intended to be a comprehensive reference source. To complement the information in this data sheet, refer to **Section 4. “Prefetch Cache”** (DS60001119), which is available from the *Documentation > Reference Manual* section of the Microchip PIC32 web site (www.microchip.com/pic32).

Prefetch cache increases performance for applications executing out of the cacheable program Flash memory regions by implementing instruction caching, constant data caching and instruction prefetching.

The following are key features of the Prefetch Cache module:

- 16 fully associative lockable cache lines
- 16-byte cache lines
- Up to four cache lines allocated to data
- Two cache lines with address mask to hold repeated instructions
- Pseudo LRU replacement policy
- All cache lines are software writable
- 16-byte parallel memory fetch
- Predictive instruction prefetch

A simplified block diagram of the Prefetch Cache module is illustrated in [Figure 10-1](#).

FIGURE 10-1: PREFETCH CACHE MODULE BLOCK DIAGRAM



10.1 Control Registers

TABLE 10-1: PREFETCH REGISTER MAP

| Virtual Address (BF88_#) | Register Name | Bit Range | Bits | | | | | | | | | | | | | | | All Resets | |
|--------------------------|-----------------------|-----------|----------|-------|-------|-------|-------|-------|------|-----------|------|------|-------------|------|-------------|------------|-------|----------------|------|
| | | | 31/15 | 30/14 | 29/13 | 28/12 | 27/11 | 26/10 | 25/9 | 24/8 | 23/7 | 22/6 | 21/5 | 20/4 | 19/3 | 18/2 | 17/1 | | 16/0 |
| 4000 | CHECON ⁽¹⁾ | 31:16 | — | — | — | — | — | — | — | — | — | — | — | — | — | — | — | CHECOH | 0000 |
| | | 15:0 | — | — | — | — | — | — | — | DCSZ<1:0> | — | — | PREFEN<1:0> | — | — | PFMWS<2:0> | — | — | 0007 |
| 4010 | CHEACC ⁽¹⁾ | 31:16 | CHEWEN | — | — | — | — | — | — | — | — | — | — | — | — | — | — | 0000 | |
| | | 15:0 | — | — | — | — | — | — | — | — | — | — | — | — | — | — | — | CHEIDX<3:0> | 00xx |
| 4020 | CHETAG ⁽¹⁾ | 31:16 | LTAGBOOT | — | — | — | — | — | — | — | — | — | — | — | — | — | — | xxxx0 | |
| | | 15:0 | — | — | — | — | — | — | — | — | — | — | — | — | LTAG<23:16> | LVALID | LLOCK | LTYPE | — |
| 4030 | CHEMSK ⁽¹⁾ | 31:16 | — | — | — | — | — | — | — | — | — | — | — | — | — | — | — | 0000 | |
| | | 15:0 | — | — | — | — | — | — | — | — | — | — | — | — | — | — | — | LMASK<15:5> | xxxx |
| 4040 | CHEW0 | 31:16 | — | — | — | — | — | — | — | — | — | — | — | — | — | — | — | xxxx | |
| | | 15:0 | — | — | — | — | — | — | — | — | — | — | — | — | — | — | — | CHEW0<31:0> | xxxx |
| 4050 | CHEW1 | 31:16 | — | — | — | — | — | — | — | — | — | — | — | — | — | — | — | xxxx | |
| | | 15:0 | — | — | — | — | — | — | — | — | — | — | — | — | — | — | — | CHEW1<31:0> | xxxx |
| 4060 | CHEW2 | 31:16 | — | — | — | — | — | — | — | — | — | — | — | — | — | — | — | xxxx | |
| | | 15:0 | — | — | — | — | — | — | — | — | — | — | — | — | — | — | — | CHEW2<31:0> | xxxx |
| 4070 | CHEW3 | 31:16 | — | — | — | — | — | — | — | — | — | — | — | — | — | — | — | xxxx | |
| | | 15:0 | — | — | — | — | — | — | — | — | — | — | — | — | — | — | — | CHEW3<31:0> | xxxx |
| 4080 | CHELRU | 31:16 | — | — | — | — | — | — | — | — | — | — | — | — | — | — | — | 0000 | |
| | | 15:0 | — | — | — | — | — | — | — | — | — | — | — | — | — | — | — | CHELRU<24:16> | 0000 |
| 4090 | CHEHIT | 31:16 | — | — | — | — | — | — | — | — | — | — | — | — | — | — | — | xxxx | |
| | | 15:0 | — | — | — | — | — | — | — | — | — | — | — | — | — | — | — | CHEHIT<31:0> | xxxx |
| 40A0 | CHEMIS | 31:16 | — | — | — | — | — | — | — | — | — | — | — | — | — | — | — | xxxx | |
| | | 15:0 | — | — | — | — | — | — | — | — | — | — | — | — | — | — | — | CHEMIS<31:0> | xxxx |
| 40C0 | CHEPFABT | 31:16 | — | — | — | — | — | — | — | — | — | — | — | — | — | — | — | xxxx | |
| | | 15:0 | — | — | — | — | — | — | — | — | — | — | — | — | — | — | — | CHEPFABT<31:0> | xxxx |

Legend: x = unknown value on Reset, — = unimplemented, read as '0'. Reset values are shown in hexadecimal.

Note 1: This register has corresponding CLR, SET and INV registers at its virtual address, plus an offset of 0x4, 0x8 and 0xC, respectively. See Section 12.2 "CLR, SET and INV Registers" for more information.

PIC32MX1XX/2XX 28/44-PIN XLP FAMILY

REGISTER 10-1: CHECON: CACHE CONTROL REGISTER

| Bit Range | Bit 31/23/15/7 | Bit 30/22/14/6 | Bit 29/21/13/5 | Bit 28/20/12/4 | Bit 27/19/11/3 | Bit 26/18/10/2 | Bit 25/17/9/1 | Bit 24/16/8/0 |
|-----------|----------------|----------------|----------------------|----------------------|----------------|---------------------|---------------------|---------------------|
| 31:24 | U-0 — | U-0 — | U-0 — | U-0 — | U-0 — | U-0 — | U-0 — | U-0 — |
| 23:16 | U-0 — | U-0 — | U-0 — | U-0 — | U-0 — | U-0 — | U-0 — | R/W-0 CHECOH |
| 15:8 | U-0 — | U-0 — | U-0 — | U-0 — | U-0 — | U-0 — | R/W-0 DCSZ<1:0> | R/W-0 R/W-0 |
| 7:0 | U-0 — | U-0 — | R/W-0 PREFEN<1:0> | R/W-0 PREFEN<1:0> | U-0 — | R/W-1 PFMWS<2:0> | R/W-1 PFMWS<2:0> | R/W-1 PFMWS<2:0> |

Legend:

R = Readable bit

W = Writable bit

U = Unimplemented bit, read as '0'

-n = Value at POR

'1' = Bit is set

'0' = Bit is cleared

x = Bit is unknown

bit 31-17 **Unimplemented:** Write '0'; ignore read

bit 16 **CHECOH:** Cache Coherency Setting on a PFM Program Cycle bit

1 = Invalidate all data and instruction lines

0 = Invalidate all data lines and instruction lines that are not locked

bit 15-10 **Unimplemented:** Write '0'; ignore read

bit 9-8 **DCSZ<1:0>:** Data Cache Size in Lines bits

11 = Enable data caching with a size of 4 Lines

10 = Enable data caching with a size of 2 Lines

01 = Enable data caching with a size of 1 Line

00 = Disable data caching

Changing these bits induce all lines to be reinitialized to the "invalid" state.

bit 7-6 **Unimplemented:** Write '0'; ignore read

bit 5-4 **PREFEN<1:0>:** Predictive Prefetch Enable bits

11 = Enable predictive prefetch for both cacheable and non-cacheable regions

10 = Enable predictive prefetch for non-cacheable regions only

01 = Enable predictive prefetch for cacheable regions only

00 = Disable predictive prefetch

bit 3 **Unimplemented:** Write '0'; ignore read

bit 2-0 **PFMWS<2:0>:** PFM Access Time Defined in Terms of SYSLK Wait States bits

111 = Seven Wait states

110 = Six Wait states

101 = Five Wait states

100 = Four Wait states

011 = Three Wait states

010 = Two Wait states

001 = One Wait state

000 = Zero Wait state

PIC32MX1XX/2XX 28/44-PIN XLP FAMILY

REGISTER 10-2: CHEACC: CACHE ACCESS REGISTER

| Bit Range | Bit 31/23/15/7 | Bit 30/22/14/6 | Bit 29/21/13/5 | Bit 28/20/12/4 | Bit 27/19/11/3 | Bit 26/18/10/2 | Bit 25/17/9/1 | Bit 24/16/8/0 |
|-----------|----------------|----------------|----------------|----------------|----------------|----------------|---------------|---------------|
| 31:24 | R/W-0 | U-0 | U-0 | U-0 | U-0 | U-0 | U-0 | U-0 |
| | CHEWEN | — | — | — | — | — | — | — |
| 23:16 | U-0 | U-0 | U-0 | U-0 | U-0 | U-0 | U-0 | U-0 |
| | — | — | — | — | — | — | — | — |
| 15:8 | U-0 | U-0 | U-0 | U-0 | U-0 | U-0 | U-0 | U-0 |
| | — | — | — | — | — | — | — | — |
| 7:0 | U-0 | U-0 | U-0 | U-0 | R/W-0 | R/W-0 | R/W-0 | R/W-0 |
| | — | — | — | — | CHEIDX<3:0> | | | |

Legend:

| | | |
|-------------------|------------------|--|
| R = Readable bit | W = Writable bit | U = Unimplemented bit, read as '0' |
| -n = Value at POR | '1' = Bit is set | '0' = Bit is cleared x = Bit is unknown |

- bit 31 **CHEWEN:** Cache Access Enable bits for registers CHETAG, CHEMSK, CHEW0, CHEW1, CHEW2, and CHEW3
 - 1 = The cache line selected by CHEIDX<3:0> is writeable
 - 0 = The cache line selected by CHEIDX<3:0> is not writeable
- bit 30-4 **Unimplemented:** Write '0'; ignore read
- bit 3-0 **CHEIDX<3:0>:** Cache Line Index bits
 - The value selects the cache line for reading or writing.

PIC32MX1XX/2XX 28/44-PIN XLP FAMILY

REGISTER 10-3: CHETAG: CACHE TAG REGISTER

| Bit Range | Bit 31/23/15/7 | Bit 30/22/14/6 | Bit 29/21/13/5 | Bit 28/20/12/4 | Bit 27/19/11/3 | Bit 26/18/10/2 | Bit 25/17/9/1 | Bit 24/16/8/0 |
|-----------|----------------|----------------|----------------|----------------|----------------|----------------|---------------|---------------|
| 31:24 | R/W-0 | U-0 | U-0 | U-0 | U-0 | U-0 | U-0 | U-0 |
| | LTAGBOOT | — | — | — | — | — | — | — |
| 23:16 | R/W-x | R/W-x | R/W-x | R/W-x | R/W-x | R/W-x | R/W-x | R/W-x |
| | LTAG<19:12> | | | | | | | |
| 15:8 | R/W-x | R/W-x | R/W-x | R/W-x | R/W-x | R/W-x | R/W-x | R/W-x |
| | LTAG<11:4> | | | | | | | |
| 7:0 | R/W-x | R/W-x | R/W-x | R/W-x | R/W-0 | R/W-0 | R/W-1 | U-0 |
| | LTAG<3:0> | | | | LVALID | LLOCK | LTYPE | — |

Legend:

R = Readable bit

W = Writable bit

U = Unimplemented bit, read as '0'

-n = Value at POR

'1' = Bit is set

'0' = Bit is cleared

x = Bit is unknown

bit 31 **LTAGBOOT:** Line TAG Address Boot bit

1 = The line is in the 0x1D000000 (physical) area of memory

0 = The line is in the 0x1FC00000 (physical) area of memory

bit 30-24 **Unimplemented:** Write '0'; ignore read

bit 23-4 **LTAG<19:0>:** Line TAG Address bits

LTAG<19:0> bits are compared against physical address to determine a hit. Because its address range and position of PFM in kernel space and user space, the LTAG PFM address is identical for virtual addresses, (system) physical addresses, and PFM physical addresses.

bit 3 **LVALID:** Line Valid bit

1 = The line is valid and is compared to the physical address for hit detection

0 = The line is not valid and is not compared to the physical address for hit detection

bit 2 **LLOCK:** Line Lock bit

1 = The line is locked and will not be replaced

0 = The line is not locked and can be replaced

bit 1 **LTYPE:** Line Type bit

1 = The line caches instruction words

0 = The line caches data words

bit 0 **Unimplemented:** Write '0'; ignore read

PIC32MX1XX/2XX 28/44-PIN XLP FAMILY

REGISTER 10-4: CHEMSK: CACHE TAG MASK REGISTER

| Bit Range | Bit 31/23/15/7 | Bit 30/22/14/6 | Bit 29/21/13/5 | Bit 28/20/12/4 | Bit 27/19/11/3 | Bit 26/18/10/2 | Bit 25/17/9/1 | Bit 24/16/8/0 |
|-----------|----------------|----------------|----------------|----------------|----------------|----------------|---------------|---------------|
| 31:24 | U-0 | U-0 | U-0 | U-0 | U-0 | U-0 | U-0 | U-0 |
| | — | — | — | — | — | — | — | — |
| 23:16 | U-0 | U-0 | U-0 | U-0 | U-0 | U-0 | U-0 | U-0 |
| | — | — | — | — | — | — | — | — |
| 15:8 | R/W-0 | R/W-0 | R/W-0 | R/W-0 | R/W-0 | R/W-0 | R/W-0 | R/W-0 |
| | LMASK<10:3> | | | | | | | |
| 7:0 | R/W-0 | R/W-0 | R/W-0 | U-0 | U-0 | U-0 | U-0 | U-0 |
| | LMASK<2:0> | | | — | — | — | — | — |

Legend:

R = Readable bit W = Writable bit U = Unimplemented bit, read as '0'
-n = Value at POR '1' = Bit is set '0' = Bit is cleared x = Bit is unknown

bit 31-16 **Unimplemented:** Write '0'; ignore read

bit 15-5 **LMASK<10:0>:** Line Mask bits

- 1 = Enables mask logic to force a match on the corresponding bit position in the LTAG<19:0> bits (CHETAG<23:4>) and the physical address.
- 0 = Only writeable for values of CHEIDX<3:0> bits (CHEACC<3:0>) equal to 0x0A and 0x0B. Disables mask logic.

bit 4-0 **Unimplemented:** Write '0'; ignore read

REGISTER 10-5: CHEW0: CACHE WORD 0

| Bit Range | Bit 31/23/15/7 | Bit 30/22/14/6 | Bit 29/21/13/5 | Bit 28/20/12/4 | Bit 27/19/11/3 | Bit 26/18/10/2 | Bit 25/17/9/1 | Bit 24/16/8/0 |
|-----------|----------------|----------------|----------------|----------------|----------------|----------------|---------------|---------------|
| 31:24 | R/W-x | R/W-x | R/W-x | R/W-x | R/W-x | R/W-x | R/W-x | R/W-x |
| | CHEW0<31:24> | | | | | | | |
| 23:16 | R/W-x | R/W-x | R/W-x | R/W-x | R/W-x | R/W-x | R/W-x | R/W-x |
| | CHEW0<23:16> | | | | | | | |
| 15:8 | R/W-x | R/W-x | R/W-x | R/W-x | R/W-x | R/W-x | R/W-x | R/W-x |
| | CHEW0<15:8> | | | | | | | |
| 7:0 | R/W-x | R/W-x | R/W-x | R/W-x | R/W-x | R/W-x | R/W-x | R/W-x |
| | CHEW0<7:0> | | | | | | | |

Legend:

R = Readable bit W = Writable bit U = Unimplemented bit, read as '0'
-n = Value at POR '1' = Bit is set '0' = Bit is cleared x = Bit is unknown

bit 31-0 **CHEW0<31:0>:** Word 0 of the cache line selected by the CHEIDX<3:0> bits (CHEACC<3:0>)
Readable only if the device is not code-protected.

PIC32MX1XX/2XX 28/44-PIN XLP FAMILY

REGISTER 10-6: CHEW1: CACHE WORD 1

| Bit Range | Bit 31/23/15/7 | Bit 30/22/14/6 | Bit 29/21/13/5 | Bit 28/20/12/4 | Bit 27/19/11/3 | Bit 26/18/10/2 | Bit 25/17/9/1 | Bit 24/16/8/0 |
|--------------|----------------|----------------|----------------|----------------|----------------|----------------|---------------|---------------|
| 31:24 | R/W-x | R/W-x | R/W-x | R/W-x | R/W-x | R/W-x | R/W-x | R/W-x |
| CHEW1<31:24> | | | | | | | | |
| 23:16 | R/W-x | R/W-x | R/W-x | R/W-x | R/W-x | R/W-x | R/W-x | R/W-x |
| CHEW1<23:16> | | | | | | | | |
| 15:8 | R/W-x | R/W-x | R/W-x | R/W-x | R/W-x | R/W-x | R/W-x | R/W-x |
| CHEW1<15:8> | | | | | | | | |
| 7:0 | R/W-x | R/W-x | R/W-x | R/W-x | R/W-x | R/W-x | R/W-x | R/W-x |
| CHEW1<7:0> | | | | | | | | |

Legend:

R = Readable bit
 -n = Value at POR

W = Writable bit
 '1' = Bit is set

U = Unimplemented bit, read as '0'
 '0' = Bit is cleared
 x = Bit is unknown

bit 31-0 **CHEW1<31:0>**: Word 1 of the cache line selected by the CHEIDX<3:0> bits (CHEACC<3:0>)
 Readable only if the device is not code-protected.

REGISTER 10-7: CHEW2: CACHE WORD 2

| Bit Range | Bit 31/23/15/7 | Bit 30/22/14/6 | Bit 29/21/13/5 | Bit 28/20/12/4 | Bit 27/19/11/3 | Bit 26/18/10/2 | Bit 25/17/9/1 | Bit 24/16/8/0 |
|--------------|----------------|----------------|----------------|----------------|----------------|----------------|---------------|---------------|
| 31:24 | R/W-x | R/W-x | R/W-x | R/W-x | R/W-x | R/W-x | R/W-x | R/W-x |
| CHEW2<31:24> | | | | | | | | |
| 23:16 | R/W-x | R/W-x | R/W-x | R/W-x | R/W-x | R/W-x | R/W-x | R/W-x |
| CHEW2<23:16> | | | | | | | | |
| 15:8 | R/W-x | R/W-x | R/W-x | R/W-x | R/W-x | R/W-x | R/W-x | R/W-x |
| CHEW2<15:8> | | | | | | | | |
| 7:0 | R/W-x | R/W-x | R/W-x | R/W-x | R/W-x | R/W-x | R/W-x | R/W-x |
| CHEW2<7:0> | | | | | | | | |

Legend:

R = Readable bit
 -n = Value at POR

W = Writable bit
 '1' = Bit is set

U = Unimplemented bit, read as '0'
 '0' = Bit is cleared
 x = Bit is unknown

bit 31-0 **CHEW2<31:0>**: Word 2 of the cache line selected by the CHEIDX<3:0> bits (CHEACC<3:0>)
 Readable only if the device is not code-protected.

PIC32MX1XX/2XX 28/44-PIN XLP FAMILY

REGISTER 10-8: CHEW3: CACHE WORD 3

| Bit Range | Bit 31/23/15/7 | Bit 30/22/14/6 | Bit 29/21/13/5 | Bit 28/20/12/4 | Bit 27/19/11/3 | Bit 26/18/10/2 | Bit 25/17/9/1 | Bit 24/16/8/0 |
|-----------|----------------|----------------|----------------|----------------|----------------|----------------|---------------|---------------|
| 31:24 | R/W-x | R/W-x | R/W-x | R/W-x | R/W-x | R/W-x | R/W-x | R/W-x |
| | CHEW3<31:24> | | | | | | | |
| 23:16 | R/W-x | R/W-x | R/W-x | R/W-x | R/W-x | R/W-x | R/W-x | R/W-x |
| | CHEW3<23:16> | | | | | | | |
| 15:8 | R/W-x | R/W-x | R/W-x | R/W-x | R/W-x | R/W-x | R/W-x | R/W-x |
| | CHEW3<15:8> | | | | | | | |
| 7:0 | R/W-x | R/W-x | R/W-x | R/W-x | R/W-x | R/W-x | R/W-x | R/W-x |
| | CHEW3<7:0> | | | | | | | |

Legend:

R = Readable bit W = Writable bit U = Unimplemented bit, read as '0'
-n = Value at POR '1' = Bit is set '0' = Bit is cleared x = Bit is unknown

bit 31-0 **CHEW3<31:0>**: Word 3 of the cache line selected by the CHEIDX<3:0> bits (CHEACC<3:0>)
Readable only if the device is not code-protected.

Note: This register is a window into the cache data array and is readable only if the device is not code-protected.

REGISTER 10-9: CHELRU: CACHE LRU REGISTER

| Bit Range | Bit 31/23/15/7 | Bit 30/22/14/6 | Bit 29/21/13/5 | Bit 28/20/12/4 | Bit 27/19/11/3 | Bit 26/18/10/2 | Bit 25/17/9/1 | Bit 24/16/8/0 |
|-----------|----------------|----------------|----------------|----------------|----------------|----------------|---------------|---------------|
| 31:24 | U-0 | U-0 | U-0 | U-0 | U-0 | U-0 | U-0 | R-0 |
| | CHELRU<24> | | | | | | | |
| 23:16 | R-0 | R-0 | R-0 | R-0 | R-0 | R-0 | R-0 | R-0 |
| | CHELRU<23:16> | | | | | | | |
| 15:8 | R-0 | R-0 | R-0 | R-0 | R-0 | R-0 | R-0 | R-0 |
| | CHELRU<15:8> | | | | | | | |
| 7:0 | R-0 | R-0 | R-0 | R-0 | R-0 | R-0 | R-0 | R-0 |
| | CHELRU<7:0> | | | | | | | |

Legend:

R = Readable bit W = Writable bit U = Unimplemented bit, read as '0'
-n = Value at POR '1' = Bit is set '0' = Bit is cleared x = Bit is unknown

bit 31-25 **Unimplemented:** Write '0'; ignore read

bit 24-0 **CHELRU<24:0>**: Cache Least Recently Used State Encoding bits
Indicates the pseudo-LRU state of the cache.

PIC32MX1XX/2XX 28/44-PIN XLP FAMILY

REGISTER 10-10: CHEHIT: CACHE HIT STATISTICS REGISTER

| Bit Range | Bit 31/23/15/7 | Bit 30/22/14/6 | Bit 29/21/13/5 | Bit 28/20/12/4 | Bit 27/19/11/3 | Bit 26/18/10/2 | Bit 25/17/9/1 | Bit 24/16/8/0 |
|---------------|----------------|----------------|----------------|----------------|----------------|----------------|---------------|---------------|
| 31:24 | R/W-x | R/W-x | R/W-x | R/W-x | R/W-x | R/W-x | R/W-x | R/W-x |
| CHEHIT<31:24> | | | | | | | | |
| 23:16 | R/W-x | R/W-x | R/W-x | R/W-x | R/W-x | R/W-x | R/W-x | R/W-x |
| CHEHIT<23:16> | | | | | | | | |
| 15:8 | R/W-x | R/W-x | R/W-x | R/W-x | R/W-x | R/W-x | R/W-x | R/W-x |
| CHEHIT<15:8> | | | | | | | | |
| 7:0 | R/W-x | R/W-x | R/W-x | R/W-x | R/W-x | R/W-x | R/W-x | R/W-x |
| CHEHIT<7:0> | | | | | | | | |

Legend:

R = Readable bit

W = Writable bit

U = Unimplemented bit, read as '0'

-n = Value at POR

'1' = Bit is set

'0' = Bit is cleared

x = Bit is unknown

bit 31-0 **CHEHIT<31:0>**: Cache Hit Count bits

Incremented each time the processor issues an instruction fetch or load that hits the prefetch cache from a cacheable region. Non-cacheable accesses do not modify this value.

REGISTER 10-11: CHEMIS: CACHE MISS STATISTICS REGISTER

| Bit Range | Bit 31/23/15/7 | Bit 30/22/14/6 | Bit 29/21/13/5 | Bit 28/20/12/4 | Bit 27/19/11/3 | Bit 26/18/10/2 | Bit 25/17/9/1 | Bit 24/16/8/0 |
|---------------|----------------|----------------|----------------|----------------|----------------|----------------|---------------|---------------|
| 31:24 | R/W-x | R/W-x | R/W-x | R/W-x | R/W-x | R/W-x | R/W-x | R/W-x |
| CHEMIS<31:24> | | | | | | | | |
| 23:16 | R/W-x | R/W-x | R/W-x | R/W-x | R/W-x | R/W-x | R/W-x | R/W-x |
| CHEMIS<23:16> | | | | | | | | |
| 15:8 | R/W-x | R/W-x | R/W-x | R/W-x | R/W-x | R/W-x | R/W-x | R/W-x |
| CHEMIS<15:8> | | | | | | | | |
| 7:0 | R/W-x | R/W-x | R/W-x | R/W-x | R/W-x | R/W-x | R/W-x | R/W-x |
| CHEMIS<7:0> | | | | | | | | |

Legend:

R = Readable bit

W = Writable bit

U = Unimplemented bit, read as '0'

-n = Value at POR

'1' = Bit is set

'0' = Bit is cleared

x = Bit is unknown

bit 31-0 **CHEMIS<31:0>**: Cache Miss Count bits

Incremented each time the processor issues an instruction fetch from a cacheable region that misses the prefetch cache. Non-cacheable accesses do not modify this value.

PIC32MX1XX/2XX 28/44-PIN XLP FAMILY

REGISTER 10-12: CHEPFABT: PREFETCH CACHE ABORT STATISTICS REGISTER

| Bit Range | Bit 31/23/15/7 | Bit 30/22/14/6 | Bit 29/21/13/5 | Bit 28/20/12/4 | Bit 27/19/11/3 | Bit 26/18/10/2 | Bit 25/17/9/1 | Bit 24/16/8/0 |
|-----------|-----------------|----------------|----------------|----------------|----------------|----------------|---------------|---------------|
| 31:24 | R/W-x | R/W-x | R/W-x | R/W-x | R/W-x | R/W-x | R/W-x | R/W-x |
| | CHEPFABT<31:24> | | | | | | | |
| 23:16 | R/W-x | R/W-x | R/W-x | R/W-x | R/W-x | R/W-x | R/W-x | R/W-x |
| | CHEPFABT<23:16> | | | | | | | |
| 15:8 | R/W-x | R/W-x | R/W-x | R/W-x | R/W-x | R/W-x | R/W-x | R/W-x |
| | CHEPFABT<15:8> | | | | | | | |
| 7:0 | R/W-x | R/W-x | R/W-x | R/W-x | R/W-x | R/W-x | R/W-x | R/W-x |
| | CHEPFABT<7:0> | | | | | | | |

Legend:

R = Readable bit
-n = Value at POR

W = Writable bit
'1' = Bit is set

U = Unimplemented bit, read as '0'
'0' = Bit is cleared
x = Bit is unknown

bit 31-0 **CHEPFABT<31:0>**: Prefab Abort Count bits

Incremented each time an automatic prefetch cache is aborted due to a non-sequential instruction fetch, load or store.

PIC32MX1XX/2XX 28/44-PIN XLP FAMILY

11.0 USB ON-THE-GO (OTG)

Note: This data sheet summarizes the features of the PIC32MX1XX/2XX 28/44-pin XLP Family of devices. It is not intended to be a comprehensive reference source. To complement the information in this data sheet, refer to **Section 27. “USB On-The-Go (OTG)”** (DS60001126), which is available from the *Documentation > Reference Manual* section of the Microchip PIC32 web site (www.microchip.com/pic32).

The Universal Serial Bus (USB) module contains analog and digital components to provide a USB 2.0 full-speed and low-speed embedded host, Full-Speed device or OTG implementation with a minimum of external components. This module in Host mode is intended for use as an embedded host and therefore does not implement a UHCI or OHCI controller.

The USB module consists of the clock generator, the USB voltage comparators, the transceiver, the Serial Interface Engine (SIE), a dedicated USB DMA controller, pull-up and pull-down resistors, and the register interface. A block diagram of the PIC32 USB OTG module is presented in [Figure 11-1](#).

The clock generator provides the 48 MHz clock required for USB Full-Speed and Low-Speed communication. The voltage comparators monitor the voltage on the VBUS pin to determine the state of the bus. The transceiver provides the analog translation between the USB bus and the digital logic. The SIE is a state machine that transfers data to and from the endpoint buffers and generates the hardware protocol for data transfers. The USB DMA controller transfers data between the data buffers in RAM and the SIE. The integrated pull-up and pull-down resistors eliminate the need for external signaling components. The register interface allows the CPU to configure and communicate with the module.

The PIC32 USB module includes the following features:

- USB Full-Speed support for Host and Device
- Low-speed host support
- USB OTG support
- Integrated signaling resistors
- Integrated analog comparators for VBUS monitoring
- Integrated USB transceiver
- Transaction handshaking performed by hardware
- Endpoint buffering anywhere in system RAM
- Integrated DMA to access system RAM and Flash

Note: The implementation and use of the USB specifications, as well as other third party specifications or technologies, may require licensing; including, but not limited to, USB Implementers Forum, Inc., also referred to as USB-IF (www.usb.org). The user is fully responsible for investigating and satisfying any applicable licensing obligations.

PIC32MX1XX/2XX 28/44-PIN XLP FAMILY

FIGURE 11-1: PIC32MX1XX/2XX 28/44-PIN XLP FAMILY FAMILY USB INTERFACE DIAGRAM



11.1 USB Control Registers

TABLE 11-1: USB REGISTER MAP

| Virtual Address (BF88.#) | Register Name ⁽¹⁾ | Bit Range | Bits | | | | | | | | | | | | | | | All Resets | | | | | | | | |
|-----------------------------|---------------------------------|-----------|-------|-------|-------|-------|-------|-------|------|--------|------------------------|---------------|--------------|----------|---------|----------|----------|------------|----------|------|--|--|--|--|--|--|
| | | | 31/15 | 30/14 | 29/13 | 28/12 | 27/11 | 26/10 | 25/9 | 24/8 | 23/7 | 22/6 | 21/5 | 20/4 | 19/3 | 18/2 | 17/1 | | 16/0 | | | | | | | |
| 5040 | U1OTGIR ⁽²⁾ | 31:16 | — | — | — | — | — | — | — | — | — | — | — | — | — | — | — | — | 0000 | | | | | | | |
| | | 15:0 | — | — | — | — | — | — | — | — | IDIF | T1MSECIF | LSTATEIF | ACTVIF | SESVDIF | SESENDIF | — | VBUSVDIF | 0000 | | | | | | | |
| 5050 | U1OTGIE | 31:16 | — | — | — | — | — | — | — | — | — | — | — | — | — | — | — | — | 0000 | | | | | | | |
| | | 15:0 | — | — | — | — | — | — | — | — | IDIE | T1MSECIE | LSTATEIE | ACTVIE | SESVDIE | SESENDIE | — | VBUSVDIE | 0000 | | | | | | | |
| 5060 | U1OTGSTAT ⁽³⁾ | 31:16 | — | — | — | — | — | — | — | — | — | — | — | — | — | — | — | — | 0000 | | | | | | | |
| | | 15:0 | — | — | — | — | — | — | — | — | ID | — | LSTATE | — | SESVD | SESEND | — | VBUSVD | 0000 | | | | | | | |
| 5070 | U1OTGCON | 31:16 | — | — | — | — | — | — | — | — | — | — | — | — | — | — | — | — | 0000 | | | | | | | |
| | | 15:0 | — | — | — | — | — | — | — | — | DPPULUP | DMPULUP | DPPULDWN | DMPULDWN | VBUSON | OTGEN | VBUSCHG | VBUSDIS | 0000 | | | | | | | |
| 5080 | U1PWRC | 31:16 | — | — | — | — | — | — | — | — | — | — | — | — | — | — | — | — | 0000 | | | | | | | |
| | | 15:0 | — | — | — | — | — | — | — | — | UACTPND ⁽⁴⁾ | — | — | USLPGRD | USBBUSY | — | USUSPEND | USBPWR | 0000 | | | | | | | |
| 5200 | U1IR ⁽²⁾ | 31:16 | — | — | — | — | — | — | — | — | — | — | — | — | — | — | — | — | 0000 | | | | | | | |
| | | 15:0 | — | — | — | — | — | — | — | — | STALLIF | ATTACHIF | RESUMEIF | IDLEIF | TRNIF | SOFIF | UERRIF | URSTIF | DETACHIF | 0000 | | | | | | |
| 5210 | U1IE | 31:16 | — | — | — | — | — | — | — | — | — | — | — | — | — | — | — | — | 0000 | | | | | | | |
| | | 15:0 | — | — | — | — | — | — | — | — | STALLIE | ATTACHIE | RESUMEIE | IDLEIE | TRNIE | SOFIE | UERRIE | URSTIE | DETACHIE | 0000 | | | | | | |
| 5220 | U1EIR ⁽²⁾ | 31:16 | — | — | — | — | — | — | — | — | — | — | — | — | — | — | — | — | 0000 | | | | | | | |
| | | 15:0 | — | — | — | — | — | — | — | — | BTSEF | BMXEF | DMAEF | BTOEF | DFN8EF | CRC16EF | CRC5EF | EOFEF | PIDEF | 0000 | | | | | | |
| 5230 | U1EIE | 31:16 | — | — | — | — | — | — | — | — | — | — | — | — | — | — | — | — | 0000 | | | | | | | |
| | | 15:0 | — | — | — | — | — | — | — | — | BTSEE | BMXEE | DMAEE | BTOEE | DFN8EE | CRC16EE | CRC5EE | EOFEE | PIDEE | 0000 | | | | | | |
| 5240 | U1STAT ⁽³⁾ | 31:16 | — | — | — | — | — | — | — | — | — | — | — | — | — | — | — | — | 0000 | | | | | | | |
| | | 15:0 | — | — | — | — | — | — | — | — | — | ENDPT<3:0> | | | DIR | PPBI | — | — | — | 0000 | | | | | | |
| 5250 | U1CON | 31:16 | — | — | — | — | — | — | — | — | — | — | — | — | — | — | — | — | 0000 | | | | | | | |
| | | 15:0 | — | — | — | — | — | — | — | — | JSTATE | SE0 | PKTDIS | USBRST | HOSTEN | RESUME | PPBRST | USBEN | SOFEN | 0000 | | | | | | |
| 15:0 | — | — | — | — | — | — | — | — | — | LSPDEN | | | DEVADDR<6:0> | | | | | — | 0000 | | | | | | | |
| 5260 | U1ADDR | 31:16 | — | — | — | — | — | — | — | — | — | — | — | — | — | — | — | — | 0000 | | | | | | | |
| | | 15:0 | — | — | — | — | — | — | — | — | — | BDTPTRL<15:9> | | | | | | | | | | | | | | |
| 5270 | U1BDTP1 | 31:16 | — | — | — | — | — | — | — | — | — | — | — | — | — | — | — | — | — | 0000 | | | | | | |
| | | 15:0 | — | — | — | — | — | — | — | — | — | BDTPTRL<15:9> | | | | | | | | | | | | | | |

Legend: x = unknown value on Reset; — = unimplemented, read as '0'. Reset values are shown in hexadecimal.

- Note** 1: With the exception of those noted, all registers in this table (except as noted) have corresponding CLR, SET and INV registers at their virtual address, plus an offset of 0x4, 0x8, and 0xC respectively. See **12.2 "CLR, SET and INV Registers"** for more information.
- 2: This register does not have associated SET and INV registers.
- 3: This register does not have associated CLR, SET and INV registers.
- 4: Reset value for this bit is undefined.

TABLE 11-1: USB REGISTER MAP (CONTINUED)

| Virtual Address (BF88_#) | Register Name ^(f) | Bit Range | Bits | | | | | | | | | | | | | | | | All Resets |
|-----------------------------|---------------------------------|-----------|--------------|-------|-------|-------|-------|-------|------|------|---------|----------|------|----------|--------|--------|---------|--------|------------|
| | | | 31/15 | 30/14 | 29/13 | 28/12 | 27/11 | 26/10 | 25/9 | 24/8 | 23/7 | 22/6 | 21/5 | 20/4 | 19/3 | 18/2 | 17/1 | 16/0 | |
| 5280 | U1FRML ⁽³⁾ | 31:16 | — | — | — | — | — | — | — | — | — | — | — | — | — | — | — | — | 0000 |
| | | 15:0 | FRML<7:0> | | | | | | | | | | | | | | | | 0000 |
| 5290 | U1FRMH ⁽³⁾ | 31:16 | — | — | — | — | — | — | — | — | — | — | — | — | — | — | — | — | 0000 |
| | | 15:0 | FRMH<2:0> | | | | | | | | | | | | | | | | 0000 |
| 52A0 | U1TOK | 31:16 | — | — | — | — | — | — | — | — | — | — | — | — | — | — | — | — | 0000 |
| | | 15:0 | PID<3:0> | | | | | | | | EP<3:0> | | | | | | | | 0000 |
| 52B0 | U1SOF | 31:16 | — | — | — | — | — | — | — | — | — | — | — | — | — | — | — | — | 0000 |
| | | 15:0 | CNT<7:0> | | | | | | | | | | | | | | | | 0000 |
| 52C0 | U1BDTP2 | 31:16 | — | — | — | — | — | — | — | — | — | — | — | — | — | — | — | — | 0000 |
| | | 15:0 | BDTPTRH<7:0> | | | | | | | | | | | | | | | | 0000 |
| 52D0 | U1BDTP3 | 31:16 | — | — | — | — | — | — | — | — | — | — | — | — | — | — | — | — | 0000 |
| | | 15:0 | BDTPTRU<7:0> | | | | | | | | | | | | | | | | 0000 |
| 52E0 | U1CNFG1 | 31:16 | — | — | — | — | — | — | — | — | — | — | — | — | — | — | — | — | 0000 |
| | | 15:0 | — | — | — | — | — | — | — | — | UTEYE | UOEMON | — | USBSIDL | — | — | — | — | UASUSPND |
| 5300 | U1EP0 | 31:16 | — | — | — | — | — | — | — | — | — | — | — | — | — | — | — | — | 0000 |
| | | 15:0 | — | — | — | — | — | — | — | — | LSPD | RETRYDIS | — | EPCONDIS | EPRXEN | EPTXEN | EPSTALL | EPHSHK | 0000 |
| 5310 | U1EP1 | 31:16 | — | — | — | — | — | — | — | — | — | — | — | — | — | — | — | — | 0000 |
| | | 15:0 | — | — | — | — | — | — | — | — | — | — | — | — | — | — | — | — | 0000 |
| 5320 | U1EP2 | 31:16 | — | — | — | — | — | — | — | — | — | — | — | — | — | — | — | — | 0000 |
| | | 15:0 | — | — | — | — | — | — | — | — | — | — | — | — | — | — | — | — | 0000 |
| 5330 | U1EP3 | 31:16 | — | — | — | — | — | — | — | — | — | — | — | — | — | — | — | — | 0000 |
| | | 15:0 | — | — | — | — | — | — | — | — | — | — | — | — | — | — | — | — | 0000 |
| 5340 | U1EP4 | 31:16 | — | — | — | — | — | — | — | — | — | — | — | — | — | — | — | — | 0000 |
| | | 15:0 | — | — | — | — | — | — | — | — | — | — | — | — | — | — | — | — | 0000 |
| 5350 | U1EP5 | 31:16 | — | — | — | — | — | — | — | — | — | — | — | — | — | — | — | — | 0000 |
| | | 15:0 | — | — | — | — | — | — | — | — | — | — | — | — | — | — | — | — | 0000 |
| 5360 | U1EP6 | 31:16 | — | — | — | — | — | — | — | — | — | — | — | — | — | — | — | — | 0000 |
| | | 15:0 | — | — | — | — | — | — | — | — | — | — | — | — | — | — | — | — | 0000 |
| 5370 | U1EP7 | 31:16 | — | — | — | — | — | — | — | — | — | — | — | — | — | — | — | — | 0000 |
| | | 15:0 | — | — | — | — | — | — | — | — | — | — | — | — | — | — | — | — | 0000 |
| 5380 | U1EP8 | 31:16 | — | — | — | — | — | — | — | — | — | — | — | — | — | — | — | — | 0000 |
| | | 15:0 | — | — | — | — | — | — | — | — | — | — | — | — | — | — | — | — | 0000 |

Legend: x = unknown value on Reset; — = unimplemented, read as '0'. Reset values are shown in hexadecimal.

- Note** 1: With the exception of those noted, all registers in this table (except as noted) have corresponding CLR, SET and INV registers at their virtual address, plus an offset of 0x4, 0x8, and 0xC respectively. See 12.2 "CLR, SET and INV Registers" for more information.
- 2: This register does not have associated SET and INV registers.
- 3: This register does not have associated CLR, SET and INV registers.
- 4: Reset value for this bit is undefined.

TABLE 11-1: USB REGISTER MAP (CONTINUED)

| Virtual Address (BF88_#) | Register Name ⁽¹⁾ | Bit Range | Bits | | | | | | | | | | | | | | | | All Resets | |
|--------------------------|------------------------------|-----------|-------|-------|-------|-------|-------|-------|------|------|------|------|------|------|------|----------|--------|--------|------------|--------|
| | | | 31/15 | 30/14 | 29/13 | 28/12 | 27/11 | 26/10 | 25/9 | 24/8 | 23/7 | 22/6 | 21/5 | 20/4 | 19/3 | 18/2 | 17/1 | 16/0 | | |
| 5390 | U1EP9 | 31:16 | — | — | — | — | — | — | — | — | — | — | — | — | — | — | — | — | 0000 | |
| | | 15:0 | — | — | — | — | — | — | — | — | — | — | — | — | — | EPCONDIS | EPRXEN | EPTXEN | EPSTALL | EPHSHK |
| 53A0 | U1EP10 | 31:16 | — | — | — | — | — | — | — | — | — | — | — | — | — | — | — | — | — | 0000 |
| | | 15:0 | — | — | — | — | — | — | — | — | — | — | — | — | — | EPCONDIS | EPRXEN | EPTXEN | EPSTALL | EPHSHK |
| 53B0 | U1EP11 | 31:16 | — | — | — | — | — | — | — | — | — | — | — | — | — | — | — | — | — | 0000 |
| | | 15:0 | — | — | — | — | — | — | — | — | — | — | — | — | — | EPCONDIS | EPRXEN | EPTXEN | EPSTALL | EPHSHK |
| 53C0 | U1EP12 | 31:16 | — | — | — | — | — | — | — | — | — | — | — | — | — | — | — | — | — | 0000 |
| | | 15:0 | — | — | — | — | — | — | — | — | — | — | — | — | — | EPCONDIS | EPRXEN | EPTXEN | EPSTALL | EPHSHK |
| 53D0 | U1EP13 | 31:16 | — | — | — | — | — | — | — | — | — | — | — | — | — | — | — | — | — | 0000 |
| | | 15:0 | — | — | — | — | — | — | — | — | — | — | — | — | — | EPCONDIS | EPRXEN | EPTXEN | EPSTALL | EPHSHK |
| 53E0 | U1EP14 | 31:16 | — | — | — | — | — | — | — | — | — | — | — | — | — | — | — | — | — | 0000 |
| | | 15:0 | — | — | — | — | — | — | — | — | — | — | — | — | — | EPCONDIS | EPRXEN | EPTXEN | EPSTALL | EPHSHK |
| 53F0 | U1EP15 | 31:16 | — | — | — | — | — | — | — | — | — | — | — | — | — | — | — | — | — | 0000 |
| | | 15:0 | — | — | — | — | — | — | — | — | — | — | — | — | — | EPCONDIS | EPRXEN | EPTXEN | EPSTALL | EPHSHK |

Legend: x = unknown value on Reset; — = unimplemented, read as '0'. Reset values are shown in hexadecimal.

Note 1: With the exception of those noted, all registers in this table (except as noted) have corresponding CLR, SET and INV registers at their virtual address, plus an offset of 0x4, 0x8, and 0xC respectively. See [12.2 "CLR, SET and INV Registers"](#) for more information.

2: This register does not have associated SET and INV registers.

3: This register does not have associated CLR, SET and INV registers.

4: Reset value for this bit is undefined.

PIC32MX1XX/2XX 28/44-PIN XLP FAMILY

REGISTER 11-1: U1OTGIR: USB OTG INTERRUPT STATUS REGISTER

| Bit Range | Bit 31/23/15/7 | Bit 30/22/14/6 | Bit 29/21/13/5 | Bit 28/20/12/4 | Bit 27/19/11/3 | Bit 26/18/10/2 | Bit 25/17/9/1 | Bit 24/16/8/0 |
|-----------|----------------|----------------|----------------|----------------|----------------|----------------|---------------|---------------|
| 31:24 | U-0 | U-0 | U-0 | U-0 | U-0 | U-0 | U-0 | U-0 |
| | — | — | — | — | — | — | — | — |
| 23:16 | U-0 | U-0 | U-0 | U-0 | U-0 | U-0 | U-0 | U-0 |
| | — | — | — | — | — | — | — | — |
| 15:8 | U-0 | U-0 | U-0 | U-0 | U-0 | U-0 | U-0 | U-0 |
| | — | — | — | — | — | — | — | — |
| 7:0 | R/WC-0, HS | R/WC-0, HS | R/WC-0, HS | R/WC-0, HS | R/WC-0, HS | R/WC-0, HS | U-0 | R/WC-0, HS |
| | IDIF | T1MSECIF | LSTATEIF | ACTVIF | SESVDF | SESENDIF | — | VBUSVDIF |

| | | |
|-------------------|-------------------------|--|
| Legend: | WC = Write '1' to clear | HS = Hardware Settable bit |
| R = Readable bit | W = Writable bit | U = Unimplemented bit, read as '0' |
| -n = Value at POR | '1' = Bit is set | '0' = Bit is cleared x = Bit is unknown |

bit 31-8 **Unimplemented:** Read as '0'

bit 7 **IDIF:** ID State Change Indicator bit
 1 = A change in the ID state was detected
 0 = No change in the ID state was detected

bit 6 **T1MSECIF:** 1 Millisecond Timer bit
 1 = 1 millisecond timer has expired
 0 = 1 millisecond timer has not expired

bit 5 **LSTATEIF:** Line State Stable Indicator bit
 1 = USB line state has been stable for 1 ms, but different from last time
 0 = USB line state has not been stable for 1 ms

bit 4 **ACTVIF:** Bus Activity Indicator bit
 1 = Activity on the D+, D-, ID or VBUS pins has caused the device to wake-up
 0 = Activity has not been detected

bit 3 **SESVDF:** Session Valid Change Indicator bit
 1 = VBUS voltage has dropped below the session end level
 0 = VBUS voltage has not dropped below the session end level

bit 2 **SESENDIF:** B-Device VBUS Change Indicator bit
 1 = A change on the session end input was detected
 0 = No change on the session end input was detected

bit 1 **Unimplemented:** Read as '0'

bit 0 **VBUSVDIF:** A-Device VBUS Change Indicator bit
 1 = A change on the session valid input was detected
 0 = No change on the session valid input was detected

PIC32MX1XX/2XX 28/44-PIN XLP FAMILY

REGISTER 11-2: U1OTGIE: USB OTG INTERRUPT ENABLE REGISTER

| Bit Range | Bit 31/23/15/7 | Bit 30/22/14/6 | Bit 29/21/13/5 | Bit 28/20/12/4 | Bit 27/19/11/3 | Bit 26/18/10/2 | Bit 25/17/9/1 | Bit 24/16/8/0 |
|-----------|----------------|----------------|----------------|----------------|----------------|----------------|---------------|---------------|
| 31:24 | U-0 | U-0 | U-0 | U-0 | U-0 | U-0 | U-0 | U-0 |
| | — | — | — | — | — | — | — | — |
| 23:16 | U-0 | U-0 | U-0 | U-0 | U-0 | U-0 | U-0 | U-0 |
| | — | — | — | — | — | — | — | — |
| 15:8 | U-0 | U-0 | U-0 | U-0 | U-0 | U-0 | U-0 | U-0 |
| | — | — | — | — | — | — | — | — |
| 7:0 | R/W-0 | R/W-0 | R/W-0 | R/W-0 | R/W-0 | R/W-0 | U-0 | R/W-0 |
| | IDIE | T1MSECIE | LSTATEIE | ACTVIE | SESVDIE | SESENDIE | — | VBUSVDIE |

Legend:

R = Readable bit

W = Writable bit

U = Unimplemented bit, read as '0'

-n = Value at POR

'1' = Bit is set

'0' = Bit is cleared

x = Bit is unknown

bit 31-8 **Unimplemented:** Read as '0'

bit 7 **IDIE:** ID Interrupt Enable bit

1 = ID interrupt is enabled

0 = ID interrupt is disabled

bit 6 **T1MSECIE:** 1 Millisecond Timer Interrupt Enable bit

1 = 1 millisecond timer interrupt is enabled

0 = 1 millisecond timer interrupt is disabled

bit 5 **LSTATEIE:** Line State Interrupt Enable bit

1 = Line state interrupt is enabled

0 = Line state interrupt is disabled

bit 4 **ACTVIE:** Bus Activity Interrupt Enable bit

1 = Activity interrupt is enabled

0 = Activity interrupt is disabled

bit 3 **SESVDIE:** Session Valid Interrupt Enable bit

1 = Session valid interrupt is enabled

0 = Session valid interrupt is disabled

bit 2 **SESENDIE:** B-Device Session End Interrupt Enable bit

1 = B-Device session end interrupt is enabled

0 = B-Device session end interrupt is disabled

bit 1 **Unimplemented:** Read as '0'

bit 0 **VBUSVDIE:** A-Device VBUS Valid Interrupt Enable bit

1 = A-Device VBUS valid interrupt is enabled

0 = A-Device VBUS valid interrupt is disabled

PIC32MX1XX/2XX 28/44-PIN XLP FAMILY

REGISTER 11-3: U1OTGSTAT: USB OTG STATUS REGISTER

| Bit Range | Bit 31/23/15/7 | Bit 30/22/14/6 | Bit 29/21/13/5 | Bit 28/20/12/4 | Bit 27/19/11/3 | Bit 26/18/10/2 | Bit 25/17/9/1 | Bit 24/16/8/0 |
|-----------|----------------|----------------|----------------|----------------|----------------|----------------|---------------|---------------|
| 31:24 | U-0 | U-0 | U-0 | U-0 | U-0 | U-0 | U-0 | U-0 |
| | — | — | — | — | — | — | — | — |
| 23:16 | U-0 | U-0 | U-0 | U-0 | U-0 | U-0 | U-0 | U-0 |
| | — | — | — | — | — | — | — | — |
| 15:8 | U-0 | U-0 | U-0 | U-0 | U-0 | U-0 | U-0 | U-0 |
| | — | — | — | — | — | — | — | — |
| 7:0 | R-0 | U-0 | R-0 | U-0 | R-0 | R-0 | U-0 | R-0 |
| | ID | — | LSTATE | — | SESVD | SESEND | — | VBUSVD |

Legend:

R = Readable bit W = Writable bit U = Unimplemented bit, read as '0'
-n = Value at POR '1' = Bit is set '0' = Bit is cleared x = Bit is unknown

- bit 31-8 **Unimplemented:** Read as '0'
- bit 7 **ID:** ID Pin State Indicator bit
 - 1 = No cable is attached or a "type B" cable has been inserted into the USB receptacle
 - 0 = A "type A" OTG cable has been inserted into the USB receptacle
- bit 6 **Unimplemented:** Read as '0'
- bit 5 **LSTATE:** Line State Stable Indicator bit
 - 1 = USB line state (SE0 (U1CON<6>) bit and JSTATE (U1CON<7>)) bit has been stable for previous 1 ms
 - 0 = USB line state (SE0 and JSTATE) has not been stable for previous 1 ms
- bit 4 **Unimplemented:** Read as '0'
- bit 3 **SESVD:** Session Valid Indicator bit
 - 1 = VBUS voltage is above Session Valid on the A or B device
 - 0 = VBUS voltage is below Session Valid on the A or B device
- bit 2 **SESEND:** B-Device Session End Indicator bit
 - 1 = VBUS voltage is below Session Valid on the B device
 - 0 = VBUS voltage is above Session Valid on the B device
- bit 1 **Unimplemented:** Read as '0'
- bit 0 **VBUSVD:** A-Device VBUS Valid Indicator bit
 - 1 = VBUS voltage is above Session Valid on the A device
 - 0 = VBUS voltage is below Session Valid on the A device

PIC32MX1XX/2XX 28/44-PIN XLP FAMILY

REGISTER 11-4: U1OTGCON: USB OTG CONTROL REGISTER

| Bit Range | Bit 31/23/15/7 | Bit 30/22/14/6 | Bit 29/21/13/5 | Bit 28/20/12/4 | Bit 27/19/11/3 | Bit 26/18/10/2 | Bit 25/17/9/1 | Bit 24/16/8/0 |
|-----------|----------------|----------------|----------------|----------------|----------------|----------------|---------------|---------------|
| 31:24 | U-0 | U-0 | U-0 | U-0 | U-0 | U-0 | U-0 | U-0 |
| | — | — | — | — | — | — | — | — |
| 23:16 | U-0 | U-0 | U-0 | U-0 | U-0 | U-0 | U-0 | U-0 |
| | — | — | — | — | — | — | — | — |
| 15:8 | U-0 | U-0 | U-0 | U-0 | U-0 | U-0 | U-0 | U-0 |
| | — | — | — | — | — | — | — | — |
| 7:0 | R/W-0 | R/W-0 | R/W-0 | R/W-0 | R/W-0 | R/W-0 | R/W-0 | R/W-0 |
| | DPPULUP | DMPULUP | DPPULDWN | DMPULDWN | VBUSON | OTGEN | VBUSCHG | VBUSDIS |

Legend:

| | | |
|-------------------|------------------|------------------------------------|
| R = Readable bit | W = Writable bit | U = Unimplemented bit, read as '0' |
| -n = Value at POR | '1' = Bit is set | '0' = Bit is cleared |
| | | x = Bit is unknown |

bit 31-8 **Unimplemented:** Read as '0'

bit 7 **DPPULUP:** D+ Pull-Up Enable bit

1 = D+ data line pull-up resistor is enabled
0 = D+ data line pull-up resistor is disabled

bit 6 **DMPULUP:** D- Pull-Up Enable bit

1 = D- data line pull-up resistor is enabled
0 = D- data line pull-up resistor is disabled

bit 5 **DPPULDWN:** D+ Pull-Down Enable bit

1 = D+ data line pull-down resistor is enabled
0 = D+ data line pull-down resistor is disabled

bit 4 **DMPULDWN:** D- Pull-Down Enable bit

1 = D- data line pull-down resistor is enabled
0 = D- data line pull-down resistor is disabled

bit 3 **VBUSON:** VBUS Power-on bit

1 = VBUS line is powered
0 = VBUS line is not powered

bit 2 **OTGEN:** OTG Functionality Enable bit

1 = DPPULUP, DMPULUP, DPPULDWN and DMPULDWN bits are under software control
0 = DPPULUP, DMPULUP, DPPULDWN and DMPULDWN bits are under USB hardware control

bit 1 **VBUSCHG:** VBUS Charge Enable bit

1 = VBUS line is charged through a pull-up resistor
0 = VBUS line is not charged through a resistor

bit 0 **VBUSDIS:** VBUS Discharge Enable bit

1 = VBUS line is discharged through a pull-down resistor
0 = VBUS line is not discharged through a resistor

PIC32MX1XX/2XX 28/44-PIN XLP FAMILY

REGISTER 11-5: U1PWRC: USB POWER CONTROL REGISTER

| Bit Range | Bit 31/23/15/7 | Bit 30/22/14/6 | Bit 29/21/13/5 | Bit 28/20/12/4 | Bit 27/19/11/3 | Bit 26/18/10/2 | Bit 25/17/9/1 | Bit 24/16/8/0 |
|-----------|----------------|----------------|----------------|----------------|------------------------|----------------|---------------|---------------|
| 31:24 | U-0 | U-0 | U-0 | U-0 | U-0 | U-0 | U-0 | U-0 |
| | — | — | — | — | — | — | — | — |
| 23:16 | U-0 | U-0 | U-0 | U-0 | U-0 | U-0 | U-0 | U-0 |
| | — | — | — | — | — | — | — | — |
| 15:8 | U-0 | U-0 | U-0 | U-0 | U-0 | U-0 | U-0 | U-0 |
| | — | — | — | — | — | — | — | — |
| 7:0 | R-0 | U-0 | U-0 | R/W-0 | R/W-0 | U-0 | R/W-0 | R/W-0 |
| | UACTPND | — | — | USLPGRD | USBBUSY ⁽¹⁾ | — | USUSPEND | USBPWR |

Legend:

| | | |
|-------------------|------------------|------------------------------------|
| R = Readable bit | W = Writable bit | U = Unimplemented bit, read as '0' |
| -n = Value at POR | '1' = Bit is set | '0' = Bit is cleared |
| | | x = Bit is unknown |

bit 31-8 **Unimplemented:** Read as '0'

bit 7 **UACTPND:** USB Activity Pending bit

- 1 = USB bus activity has been detected; however, an interrupt is pending, which has yet to be generated
- 0 = An interrupt is not pending

bit 6-5 **Unimplemented:** Read as '0'

bit 4 **USLPGRD:** USB Sleep Entry Guard bit

- 1 = Sleep entry is blocked if USB bus activity is detected or if a notification is pending
- 0 = USB module does not block Sleep entry

bit 3 **USBBUSY:** USB Module Busy bit⁽¹⁾

- 1 = USB module is active or disabled, but not ready to be enabled
- 0 = USB module is not active and is ready to be enabled

bit 2 **Unimplemented:** Read as '0'

bit 1 **USUSPEND:** USB Suspend Mode bit

- 1 = USB module is placed in Suspend mode
(The 48 MHz USB clock will be gated off. The transceiver is placed in a low-power state.)
- 0 = USB module operates normally

bit 0 **USBPWR:** USB Operation Enable bit

- 1 = USB module is turned on
- 0 = USB module is disabled
(Outputs held inactive, device pins not used by USB, analog features are shut down to reduce power consumption.)

Note 1: When USBPWR = 0 and USBBUSY = 1, status from all other registers is invalid and writes to all USB module registers produce undefined results.

PIC32MX1XX/2XX 28/44-PIN XLP FAMILY

REGISTER 11-6: U1IR: USB INTERRUPT REGISTER

| Bit Range | Bit 31/23/15/7 | Bit 30/22/14/6 | Bit 29/21/13/5 | Bit 28/20/12/4 | Bit 27/19/11/3 | Bit 26/18/10/2 | Bit 25/17/9/1 | Bit 24/16/8/0 |
|-----------|-----------------------|---------------------------------------|---------------------------------------|----------------------|------------------------------------|---------------------|------------------------------|--|
| 31:24 | U-0 — | U-0 — | U-0 — | U-0 — | U-0 — | U-0 — | U-0 — | U-0 — |
| 23:16 | U-0 — | U-0 — | U-0 — | U-0 — | U-0 — | U-0 — | U-0 — | U-0 — |
| 15:8 | U-0 — | U-0 — | U-0 — | U-0 — | U-0 — | U-0 — | U-0 — | U-0 — |
| 7:0 | R/WC-0, HS STALLIF | R/WC-0, HS ATTACHIF ⁽¹⁾ | R/WC-0, HS RESUMEIF ⁽²⁾ | R/WC-0, HS IDLEIF | R/WC-0, HS TRNIF ⁽³⁾ | R/WC-0, HS SOFIF | R-0 UERRIF ⁽⁴⁾ | R/WC-0, HS URSTIF ⁽⁵⁾ DETACHIF ⁽⁶⁾ |

| | | |
|-------------------|-------------------------|--|
| Legend: | WC = Write '1' to clear | HS = Hardware Settable bit |
| R = Readable bit | W = Writable bit | U = Unimplemented bit, read as '0' |
| -n = Value at POR | '1' = Bit is set | '0' = Bit is cleared x = Bit is unknown |

bit 31-8 **Unimplemented:** Read as '0'

bit 7 **STALLIF:** STALL Handshake Interrupt bit

1 = In Host mode a STALL handshake was received during the handshake phase of the transaction
 In Device mode a STALL handshake was transmitted during the handshake phase of the transaction
 0 = STALL handshake has not been sent

bit 6 **ATTACHIF:** Peripheral Attach Interrupt bit⁽¹⁾

1 = Peripheral attachment was detected by the USB module
 0 = Peripheral attachment was not detected

bit 5 **RESUMEIF:** Resume Interrupt bit⁽²⁾

1 = K-State is observed on the D+ or D- pin for 2.5 μ s
 0 = K-State is not observed

bit 4 **IDLEIF:** Idle Detect Interrupt bit

1 = Idle condition detected (constant Idle state of 3 ms or more)
 0 = No Idle condition detected

bit 3 **TRNIF:** Token Processing Complete Interrupt bit⁽³⁾

1 = Processing of current token is complete; a read of the U1STAT register will provide endpoint information
 0 = Processing of current token not complete

bit 2 **SOFIF:** SOF Token Interrupt bit

1 = SOF token received by the peripheral or the SOF threshold reached by the host
 0 = SOF token was not received nor threshold reached

bit 1 **UERRIF:** USB Error Condition Interrupt bit⁽⁴⁾

1 = Unmasked error condition has occurred
 0 = Unmasked error condition has not occurred

bit 0 **URSTIF:** USB Reset Interrupt bit (Device mode)⁽⁵⁾

1 = Valid USB Reset has occurred
 0 = No USB Reset has occurred

DETACHIF: USB Detach Interrupt bit (Host mode)⁽⁶⁾

1 = Peripheral detachment was detected by the USB module
 0 = Peripheral detachment was not detected

Note 1: This bit is valid only if the HOSTEN bit is set (see [Register 11-11](#)), there is no activity on the USB for 2.5 μ s, and the current bus state is not SE0.

2: When not in Suspend mode, this interrupt should be disabled.

3: Clearing this bit will cause the STAT FIFO to advance.

4: Only error conditions enabled through the U1EIE register will set this bit.

5: Device mode.

6: Host mode.

PIC32MX1XX/2XX 28/44-PIN XLP FAMILY

REGISTER 11-7: U1IE: USB INTERRUPT ENABLE REGISTER

| Bit Range | Bit 31/23/15/7 | Bit 30/22/14/6 | Bit 29/21/13/5 | Bit 28/20/12/4 | Bit 27/19/11/3 | Bit 26/18/10/2 | Bit 25/17/9/1 | Bit 24/16/8/0 |
|-----------|----------------|----------------|----------------|----------------|----------------|----------------|-----------------------|--|
| 31:24 | U-0 | U-0 | U-0 | U-0 | U-0 | U-0 | U-0 | U-0 |
| | — | — | — | — | — | — | — | — |
| 23:16 | U-0 | U-0 | U-0 | U-0 | U-0 | U-0 | U-0 | U-0 |
| | — | — | — | — | — | — | — | — |
| 15:8 | U-0 | U-0 | U-0 | U-0 | U-0 | U-0 | U-0 | U-0 |
| | — | — | — | — | — | — | — | — |
| 7:0 | R/W-0 | R/W-0 | R/W-0 | R/W-0 | R/W-0 | R/W-0 | R/W-0 | R/W-0 |
| | STALLIE | ATTACHIE | RESUMEIE | IDLEIE | TRNIE | SOFIE | UERRIE ⁽¹⁾ | URSTIE ⁽²⁾ DETACHIE ⁽³⁾ |

Legend:

R = Readable bit W = Writable bit U = Unimplemented bit, read as '0'
 -n = Value at POR '1' = Bit is set '0' = Bit is cleared x = Bit is unknown

bit 31-8 **Unimplemented:** Read as '0'

bit 7 **STALLIE:** STALL Handshake Interrupt Enable bit

1 = STALL interrupt is enabled
 0 = STALL interrupt is disabled

bit 6 **ATTACHIE:** ATTACH Interrupt Enable bit

1 = ATTACH interrupt is enabled
 0 = ATTACH interrupt is disabled

bit 5 **RESUMEIE:** RESUME Interrupt Enable bit

1 = RESUME interrupt is enabled
 0 = RESUME interrupt is disabled

bit 4 **IDLEIE:** Idle Detect Interrupt Enable bit

1 = Idle interrupt is enabled
 0 = Idle interrupt is disabled

bit 3 **TRNIE:** Token Processing Complete Interrupt Enable bit

1 = TRNIF interrupt is enabled
 0 = TRNIF interrupt is disabled

bit 2 **SOFIE:** SOF Token Interrupt Enable bit

1 = SOFIF interrupt is enabled
 0 = SOFIF interrupt is disabled

bit 1 **UERRIE:** USB Error Interrupt Enable bit⁽¹⁾

1 = USB Error interrupt is enabled
 0 = USB Error interrupt is disabled

bit 0 **URSTIE:** USB Reset Interrupt Enable bit⁽²⁾

1 = URSTIF interrupt is enabled
 0 = URSTIF interrupt is disabled

DETACHIE: USB Detach Interrupt Enable bit⁽³⁾

1 = DATTCHIF interrupt is enabled
 0 = DATTCHIF interrupt is disabled

Note 1: For an interrupt to propagate USBIF, the UERRIE (U1IE<1>) bit must be set.

2: Device mode.

3: Host mode.

PIC32MX1XX/2XX 28/44-PIN XLP FAMILY

REGISTER 11-8: U1EIR: USB ERROR INTERRUPT STATUS REGISTER

| Bit Range | Bit 31/23/15/7 | Bit 30/22/14/6 | Bit 29/21/13/5 | Bit 28/20/12/4 | Bit 27/19/11/3 | Bit 26/18/10/2 | Bit 25/17/9/1 | Bit 24/16/8/0 |
|-----------|---------------------|---------------------|------------------------------------|------------------------------------|----------------------|-----------------------|---|---------------------|
| 31:24 | U-0 — | U-0 — | U-0 — | U-0 — | U-0 — | U-0 — | U-0 — | U-0 — |
| 23:16 | U-0 — | U-0 — | U-0 — | U-0 — | U-0 — | U-0 — | U-0 — | U-0 — |
| 15:8 | U-0 — | U-0 — | U-0 — | U-0 — | U-0 — | U-0 — | U-0 — | U-0 — |
| 7:0 | R/WC-0, HS BTSEF | R/WC-0, HS BMXEF | R/WC-0, HS DMAEF ⁽¹⁾ | R/WC-0, HS BTOEF ⁽²⁾ | R/WC-0, HS DFN8EF | R/WC-0, HS CRC16EF | R/WC-0, HS CRC5EF ⁽⁴⁾ EOFEF ^(3,5) | R/WC-0, HS PIDEF |

| | | |
|-------------------|-------------------------|--|
| Legend: | WC = Write '1' to clear | HS = Hardware Settable bit |
| R = Readable bit | W = Writable bit | U = Unimplemented bit, read as '0' |
| -n = Value at POR | '1' = Bit is set | '0' = Bit is cleared x = Bit is unknown |

bit 31-8 **Unimplemented:** Read as '0'

bit 7 **BTSEF:** Bit Stuff Error Flag bit
1 = Packet rejected due to bit stuff error
0 = Packet accepted

bit 6 **BMXEF:** Bus Matrix Error Flag bit
1 = The base address, of the Buffer Descriptor Table, or the address of an individual buffer pointed to by a Buffer Descriptor Table entry, is invalid.
0 = No address error

bit 5 **DMAEF:** DMA Error Flag bit⁽¹⁾
1 = USB DMA error condition detected
0 = No DMA error

bit 4 **BTOEF:** Bus Turnaround Time-Out Error Flag bit⁽²⁾
1 = Bus turnaround time-out has occurred
0 = No bus turnaround time-out

bit 3 **DFN8EF:** Data Field Size Error Flag bit
1 = Data field received is not an integral number of bytes
0 = Data field received is an integral number of bytes

bit 2 **CRC16EF:** CRC16 Failure Flag bit
1 = Data packet rejected due to CRC16 error
0 = Data packet accepted

Note 1: This type of error occurs when the module's request for the DMA bus is not granted in time to service the module's demand for memory, resulting in an overflow or underflow condition, and/or the allocated buffer size is not sufficient to store the received data packet causing it to be truncated.

2: This type of error occurs when more than 16-bit-times of Idle from the previous End-of-Packet (EOP) has elapsed.

3: This type of error occurs when the module is transmitting or receiving data and the SOF counter has reached zero.

4: Device mode.

5: Host mode.

PIC32MX1XX/2XX 28/44-PIN XLP FAMILY

REGISTER 11-8: U1EIR: USB ERROR INTERRUPT STATUS REGISTER (CONTINUED)

bit 1 **CRC5EF:** CRC5 Host Error Flag bit⁽⁴⁾
1 = Token packet rejected due to CRC5 error
0 = Token packet accepted

EOFEF: EOF Error Flag bit^(3,5)
1 = An EOF error condition was detected
0 = No EOF error condition was detected

bit 0 **PIDEF:** PID Check Failure Flag bit
1 = PID check failed
0 = PID check passed

- Note 1:** This type of error occurs when the module's request for the DMA bus is not granted in time to service the module's demand for memory, resulting in an overflow or underflow condition, and/or the allocated buffer size is not sufficient to store the received data packet causing it to be truncated.
- 2:** This type of error occurs when more than 16-bit-times of Idle from the previous End-of-Packet (EOP) has elapsed.
- 3:** This type of error occurs when the module is transmitting or receiving data and the SOF counter has reached zero.
- 4:** Device mode.
- 5:** Host mode.

PIC32MX1XX/2XX 28/44-PIN XLP FAMILY

REGISTER 11-9: U1EIE: USB ERROR INTERRUPT ENABLE REGISTER

| Bit Range | Bit 31/23/15/7 | Bit 30/22/14/6 | Bit 29/21/13/5 | Bit 28/20/12/4 | Bit 27/19/11/3 | Bit 26/18/10/2 | Bit 25/17/9/1 | Bit 24/16/8/0 |
|-----------|----------------|----------------|----------------|----------------|----------------|----------------|---|---------------|
| 31:24 | U-0 — | U-0 — | U-0 — | U-0 — | U-0 — | U-0 — | U-0 — | U-0 — |
| 23:16 | U-0 — | U-0 — | U-0 — | U-0 — | U-0 — | U-0 — | U-0 — | U-0 — |
| 15:8 | U-0 — | U-0 — | U-0 — | U-0 — | U-0 — | U-0 — | U-0 — | U-0 — |
| 7:0 | R/W-0 | R/W-0 | R/W-0 | R/W-0 | R/W-0 | R/W-0 | R/W-0 | R/W-0 |
| | BTSEE | BMXEE | DMAEE | BTOEE | DFN8EE | CRC16EE | CRC5EE ⁽¹⁾ EOFEE ⁽²⁾ | PIDEE |

Legend:

R = Readable bit W = Writable bit U = Unimplemented bit, read as '0'
 -n = Value at POR '1' = Bit is set '0' = Bit is cleared x = Bit is unknown

- bit 31-8 **Unimplemented:** Read as '0'
- bit 7 **BTSEE:** Bit Stuff Error Interrupt Enable bit
 1 = BTSEF interrupt is enabled
 0 = BTSEF interrupt is disabled
- bit 6 **BMXEE:** Bus Matrix Error Interrupt Enable bit
 1 = BMXEF interrupt is enabled
 0 = BMXEF interrupt is disabled
- bit 5 **DMAEE:** DMA Error Interrupt Enable bit
 1 = DMAEF interrupt is enabled
 0 = DMAEF interrupt is disabled
- bit 4 **BTOEE:** Bus Turnaround Time-out Error Interrupt Enable bit
 1 = BTOEF interrupt is enabled
 0 = BTOEF interrupt is disabled
- bit 3 **DFN8EE:** Data Field Size Error Interrupt Enable bit
 1 = DFN8EF interrupt is enabled
 0 = DFN8EF interrupt is disabled
- bit 2 **CRC16EE:** CRC16 Failure Interrupt Enable bit
 1 = CRC16EF interrupt is enabled
 0 = CRC16EF interrupt is disabled
- bit 1 **CRC5EE:** CRC5 Host Error Interrupt Enable bit⁽¹⁾
 1 = CRC5EF interrupt is enabled
 0 = CRC5EF interrupt is disabled
EOFEE: EOF Error Interrupt Enable bit⁽²⁾
 1 = EOF interrupt is enabled
 0 = EOF interrupt is disabled
- bit 0 **PIDEE:** PID Check Failure Interrupt Enable bit
 1 = PIDEF interrupt is enabled
 0 = PIDEF interrupt is disabled

- Note 1:** Device mode.
- 2:** Host mode.

Note: For an interrupt to propagate the USBIF register, the UERRIE (U1IE<1>) bit must be set.

PIC32MX1XX/2XX 28/44-PIN XLP FAMILY

REGISTER 11-10: U1STAT: USB STATUS REGISTER

| Bit Range | Bit 31/23/15/7 | Bit 30/22/14/6 | Bit 29/21/13/5 | Bit 28/20/12/4 | Bit 27/19/11/3 | Bit 26/18/10/2 | Bit 25/17/9/1 | Bit 24/16/8/0 |
|-----------|----------------|----------------|----------------|----------------|----------------|----------------|---------------|---------------|
| 31:24 | U-0 | U-0 | U-0 | U-0 | U-0 | U-0 | U-0 | U-0 |
| | — | — | — | — | — | — | — | — |
| 23:16 | U-0 | U-0 | U-0 | U-0 | U-0 | U-0 | U-0 | U-0 |
| | — | — | — | — | — | — | — | — |
| 15:8 | U-0 | U-0 | U-0 | U-0 | U-0 | U-0 | U-0 | U-0 |
| | — | — | — | — | — | — | — | — |
| 7:0 | R-x | R-x | R-x | R-x | R-x | R-x | U-0 | U-0 |
| | ENDPT<3:0> | | | | DIR | PPBI | — | — |

Legend:

R = Readable bit

W = Writable bit

U = Unimplemented bit, read as '0'

-n = Value at POR

'1' = Bit is set

'0' = Bit is cleared

x = Bit is unknown

bit 31-8 **Unimplemented:** Read as '0'

bit 7-4 **ENDPT<3:0>**: Encoded Number of Last Endpoint Activity bits
(Represents the number of the Buffer Descriptor Table, updated by the last USB transfer.)

1111 = Endpoint 15

1110 = Endpoint 14

•

•

•

0001 = Endpoint 1

0000 = Endpoint 0

bit 3 **DIR**: Last Buffer Descriptor Direction Indicator bit

1 = Last transaction was a transmit (TX) transfer

0 = Last transaction was a receive (RX) transfer

bit 2 **PPBI**: Ping-Pong Buffer Descriptor Pointer Indicator bit

1 = The last transaction was to the ODD Buffer Descriptor bank

0 = The last transaction was to the EVEN Buffer Descriptor bank

bit 1-0 **Unimplemented:** Read as '0'

Note: The U1STAT register is a window into a 4-byte FIFO maintained by the USB module. U1STAT value is only valid when the TRNIF (U1IR<3>) bit is active. Clearing the TRNIF bit advances the FIFO. Data in register is invalid when the TRNIF bit = 0.

PIC32MX1XX/2XX 28/44-PIN XLP FAMILY

REGISTER 11-11: U1CON: USB CONTROL REGISTER

| Bit Range | Bit 31/23/15/7 | Bit 30/22/14/6 | Bit 29/21/13/5 | Bit 28/20/12/4 | Bit 27/19/11/3 | Bit 26/18/10/2 | Bit 25/17/9/1 | Bit 24/16/8/0 |
|-----------|----------------|----------------|---|----------------|-----------------------|-----------------------|---------------|--|
| 31:24 | U-0 — | U-0 — | U-0 — | U-0 — | U-0 — | U-0 — | U-0 — | U-0 — |
| 23:16 | U-0 — | U-0 — | U-0 — | U-0 — | U-0 — | U-0 — | U-0 — | U-0 — |
| 15:8 | U-0 — | U-0 — | U-0 — | U-0 — | U-0 — | U-0 — | U-0 — | U-0 — |
| 7:0 | R-x | R-x | R/W-0 | R/W-0 | R/W-0 | R/W-0 | R/W-0 | R/W-0 |
| | JSTATE | SE0 | PKTDIS ⁽⁴⁾ TOKBUSY ^(1,5) | USBRST | HOSTEN ⁽²⁾ | RESUME ⁽³⁾ | PPBRST | USBEN ⁽⁴⁾ SOFEN ⁽⁵⁾ |

Legend:

R = Readable bit

W = Writable bit

U = Unimplemented bit, read as '0'

-n = Value at POR

'1' = Bit is set

'0' = Bit is cleared

x = Bit is unknown

bit 31-8 **Unimplemented:** Read as '0'

bit 7 **JSTATE:** Live Differential Receiver JSTATE flag bit

1 = JSTATE was detected on the USB

0 = No JSTATE was detected

bit 6 **SE0:** Live Single-Ended Zero flag bit

1 = Single-Ended Zero was detected on the USB

0 = No Single-Ended Zero was detected

bit 5 **PKTDIS:** Packet Transfer Disable bit⁽⁴⁾

1 = Token and packet processing is disabled (set upon SETUP token received)

0 = Token and packet processing is enabled

TOKBUSY: Token Busy Indicator bit^(1,5)

1 = Token is being executed by the USB module

0 = No token is being executed

bit 4 **USBRST:** Module Reset bit⁽⁵⁾

1 = USB reset generated

0 = USB reset terminated

bit 3 **HOSTEN:** Host Mode Enable bit⁽²⁾

1 = USB host capability is enabled

0 = USB host capability is disabled

bit 2 **RESUME:** RESUME Signaling Enable bit⁽³⁾

1 = RESUME signaling is activated

0 = RESUME signaling is disabled

Note 1: Software is required to check this bit before issuing another token command to the U1TOK register (see [Register 11-15](#)).

2: All host control logic is reset any time that the value of this bit is toggled.

3: Software must set RESUME for 10 ms if the part is a function, or for 25 ms if the part is a host, and then clear it to enable remote wake-up. In Host mode, the USB module will append a Low-Speed EOP to the RESUME signaling when this bit is cleared.

4: Device mode.

5: Host mode.

PIC32MX1XX/2XX 28/44-PIN XLP FAMILY

REGISTER 11-11: U1CON: USB CONTROL REGISTER (CONTINUED)

- bit 1 **PPBRST:** Ping-Pong Buffers Reset bit
 1 = Reset all Even/Odd buffer pointers to the EVEN Buffer Descriptor banks
 0 = Even/Odd buffer pointers are not Reset
- bit 0 **USBEN:** USB Module Enable bit⁽⁴⁾
 1 = USB module and supporting circuitry is enabled
 0 = USB module and supporting circuitry is disabled
- SOFEN:** SOF Enable bit⁽⁵⁾
 1 = SOF token is sent every 1 ms
 0 = SOF token is disabled

- Note 1:** Software is required to check this bit before issuing another token command to the U1TOK register (see [Register 11-15](#)).
- 2:** All host control logic is reset any time that the value of this bit is toggled.
- 3:** Software must set RESUME for 10 ms if the part is a function, or for 25 ms if the part is a host, and then clear it to enable remote wake-up. In Host mode, the USB module will append a Low-Speed EOP to the RESUME signaling when this bit is cleared.
- 4:** Device mode.
- 5:** Host mode.

PIC32MX1XX/2XX 28/44-PIN XLP FAMILY

REGISTER 11-12: U1ADDR: USB ADDRESS REGISTER

| Bit Range | Bit 31/23/15/7 | Bit 30/22/14/6 | Bit 29/21/13/5 | Bit 28/20/12/4 | Bit 27/19/11/3 | Bit 26/18/10/2 | Bit 25/17/9/1 | Bit 24/16/8/0 |
|-----------|----------------|----------------|----------------|----------------|----------------|----------------|---------------|---------------|
| 31:24 | U-0 | U-0 | U-0 | U-0 | U-0 | U-0 | U-0 | U-0 |
| | — | — | — | — | — | — | — | — |
| 23:16 | U-0 | U-0 | U-0 | U-0 | U-0 | U-0 | U-0 | U-0 |
| | — | — | — | — | — | — | — | — |
| 15:8 | U-0 | U-0 | U-0 | U-0 | U-0 | U-0 | U-0 | U-0 |
| | — | — | — | — | — | — | — | — |
| 7:0 | R/W-0 | R/W-0 | R/W-0 | R/W-0 | R/W-0 | R/W-0 | R/W-0 | R/W-0 |
| | LSPDEN | DEVADDR<6:0> | | | | | | |

Legend:

R = Readable bit W = Writable bit U = Unimplemented bit, read as '0'
 -n = Value at POR '1' = Bit is set '0' = Bit is cleared x = Bit is unknown

bit 31-8 **Unimplemented:** Read as '0'

bit 7 **LSPDEN:** Low-Speed Enable Indicator bit
 1 = Next token command to be executed at Low-Speed
 0 = Next token command to be executed at Full-Speed

bit 6-0 **DEVADDR<6:0>:** 7-bit USB Device Address bits

REGISTER 11-13: U1FRML: USB FRAME NUMBER LOW REGISTER

| Bit Range | Bit 31/23/15/7 | Bit 30/22/14/6 | Bit 29/21/13/5 | Bit 28/20/12/4 | Bit 27/19/11/3 | Bit 26/18/10/2 | Bit 25/17/9/1 | Bit 24/16/8/0 |
|-----------|----------------|----------------|----------------|----------------|----------------|----------------|---------------|---------------|
| 31:24 | U-0 | U-0 | U-0 | U-0 | U-0 | U-0 | U-0 | U-0 |
| | — | — | — | — | — | — | — | — |
| 23:16 | U-0 | U-0 | U-0 | U-0 | U-0 | U-0 | U-0 | U-0 |
| | — | — | — | — | — | — | — | — |
| 15:8 | U-0 | U-0 | U-0 | U-0 | U-0 | U-0 | U-0 | U-0 |
| | — | — | — | — | — | — | — | — |
| 7:0 | R-0 | R-0 | R-0 | R-0 | R-0 | R-0 | R-0 | R-0 |
| | FRML<7:0> | | | | | | | |

Legend:

R = Readable bit W = Writable bit U = Unimplemented bit, read as '0'
 -n = Value at POR '1' = Bit is set '0' = Bit is cleared x = Bit is unknown

bit 31-8 **Unimplemented:** Read as '0'

bit 7-0 **FRML<7:0>:** The 11-bit Frame Number Lower bits
 The register bits are updated with the current frame number whenever a SOF TOKEN is received.

PIC32MX1XX/2XX 28/44-PIN XLP FAMILY

REGISTER 11-14: U1FRMH: USB FRAME NUMBER HIGH REGISTER

| Bit Range | Bit 31/23/15/7 | Bit 30/22/14/6 | Bit 29/21/13/5 | Bit 28/20/12/4 | Bit 27/19/11/3 | Bit 26/18/10/2 | Bit 25/17/9/1 | Bit 24/16/8/0 |
|-----------|----------------|----------------|----------------|----------------|----------------|----------------|---------------|---------------|
| 31:24 | U-0 | U-0 | U-0 | U-0 | U-0 | U-0 | U-0 | U-0 |
| | — | — | — | — | — | — | — | — |
| 23:16 | U-0 | U-0 | U-0 | U-0 | U-0 | U-0 | U-0 | U-0 |
| | — | — | — | — | — | — | — | — |
| 15:8 | U-0 | U-0 | U-0 | U-0 | U-0 | U-0 | U-0 | U-0 |
| | — | — | — | — | — | — | — | — |
| 7:0 | U-0 | U-0 | U-0 | U-0 | U-0 | R-0 | R-0 | R-0 |
| | — | — | — | — | — | FRMH<2:0> | | |

Legend:

R = Readable bit W = Writable bit U = Unimplemented bit, read as '0'
 -n = Value at POR '1' = Bit is set '0' = Bit is cleared x = Bit is unknown

bit 31-3 **Unimplemented:** Read as '0'

bit 2-0 **FRMH<2:0>:** The Upper 3 bits of the Frame Numbers bits

The register bits are updated with the current frame number whenever a SOF TOKEN is received.

REGISTER 11-15: U1TOK: USB TOKEN REGISTER

| Bit Range | Bit 31/23/15/7 | Bit 30/22/14/6 | Bit 29/21/13/5 | Bit 28/20/12/4 | Bit 27/19/11/3 | Bit 26/18/10/2 | Bit 25/17/9/1 | Bit 24/16/8/0 |
|-----------|-------------------------|----------------|----------------|----------------|----------------|----------------|---------------|---------------|
| 31:24 | U-0 | U-0 | U-0 | U-0 | U-0 | U-0 | U-0 | U-0 |
| | — | — | — | — | — | — | — | — |
| 23:16 | U-0 | U-0 | U-0 | U-0 | U-0 | U-0 | U-0 | U-0 |
| | — | — | — | — | — | — | — | — |
| 15:8 | U-0 | U-0 | U-0 | U-0 | U-0 | U-0 | U-0 | U-0 |
| | — | — | — | — | — | — | — | — |
| 7:0 | R/W-0 | R/W-0 | R/W-0 | R/W-0 | R/W-0 | R/W-0 | R/W-0 | R/W-0 |
| | PID<3:0> ⁽¹⁾ | | | | EP<3:0> | | | |

Legend:

R = Readable bit W = Writable bit U = Unimplemented bit, read as '0'
 -n = Value at POR '1' = Bit is set '0' = Bit is cleared x = Bit is unknown

bit 31-8 **Unimplemented:** Read as '0'

bit 7-4 **PID<3:0>:** Token Type Indicator bits⁽¹⁾

1101 = SETUP (TX) token type transaction

1001 = IN (RX) token type transaction

0001 = OUT (TX) token type transaction

Note: All other values are reserved and must not be used.

bit 3-0 **EP<3:0>:** Token Command Endpoint Address bits

The four bit value must specify a valid endpoint.

Note 1: All other values are reserved and must not be used.

PIC32MX1XX/2XX 28/44-PIN XLP FAMILY

REGISTER 11-16: U1SOF: USB SOF THRESHOLD REGISTER

| Bit Range | Bit 31/23/15/7 | Bit 30/22/14/6 | Bit 29/21/13/5 | Bit 28/20/12/4 | Bit 27/19/11/3 | Bit 26/18/10/2 | Bit 25/17/9/1 | Bit 24/16/8/0 |
|-----------|----------------|----------------|----------------|----------------|----------------|----------------|---------------|---------------|
| 31:24 | U-0 | U-0 | U-0 | U-0 | U-0 | U-0 | U-0 | U-0 |
| | — | — | — | — | — | — | — | — |
| 23:16 | U-0 | U-0 | U-0 | U-0 | U-0 | U-0 | U-0 | U-0 |
| | — | — | — | — | — | — | — | — |
| 15:8 | U-0 | U-0 | U-0 | U-0 | U-0 | U-0 | U-0 | U-0 |
| | — | — | — | — | — | — | — | — |
| 7:0 | R/W-0 | R/W-0 | R/W-0 | R/W-0 | R/W-0 | R/W-0 | R/W-0 | R/W-0 |
| | CNT<7:0> | | | | | | | |

Legend:

R = Readable bit W = Writable bit U = Unimplemented bit, read as '0'
 -n = Value at POR '1' = Bit is set '0' = Bit is cleared x = Bit is unknown

bit 31-8 **Unimplemented:** Read as '0'
 bit 7-0 **CNT<7:0>:** SOF Threshold Value bits
 Typical values of the threshold are:
 01001010 = 64-byte packet
 00101010 = 32-byte packet
 00011010 = 16-byte packet
 00010010 = 8-byte packet

REGISTER 11-17: U1BDTP1: USB BUFFER DESCRIPTOR TABLE PAGE 1 REGISTER

| Bit Range | Bit 31/23/15/7 | Bit 30/22/14/6 | Bit 29/21/13/5 | Bit 28/20/12/4 | Bit 27/19/11/3 | Bit 26/18/10/2 | Bit 25/17/9/1 | Bit 24/16/8/0 |
|-----------|----------------|----------------|----------------|----------------|----------------|----------------|---------------|---------------|
| 31:24 | U-0 | U-0 | U-0 | U-0 | U-0 | U-0 | U-0 | U-0 |
| | — | — | — | — | — | — | — | — |
| 23:16 | U-0 | U-0 | U-0 | U-0 | U-0 | U-0 | U-0 | U-0 |
| | — | — | — | — | — | — | — | — |
| 15:8 | U-0 | U-0 | U-0 | U-0 | U-0 | U-0 | U-0 | U-0 |
| | — | — | — | — | — | — | — | — |
| 7:0 | R/W-0 | R/W-0 | R/W-0 | R/W-0 | R/W-0 | R/W-0 | R/W-0 | U-0 |
| | BDTPTRL<15:9> | | | | | | | |

Legend:

R = Readable bit W = Writable bit U = Unimplemented bit, read as '0'
 -n = Value at POR '1' = Bit is set '0' = Bit is cleared x = Bit is unknown

bit 31-8 **Unimplemented:** Read as '0'
 bit 7-1 **BDTPTRL<15:9>:** Buffer Descriptor Table Base Address bits
 This 7-bit value provides address bits 15 through 9 of the Buffer Descriptor Table base address, which defines the starting location of the Buffer Descriptor Table in system memory.
 The 32-bit Buffer Descriptor Table base address is 512-byte aligned.
 bit 0 **Unimplemented:** Read as '0'

PIC32MX1XX/2XX 28/44-PIN XLP FAMILY

REGISTER 11-18: U1BDTP2: USB BUFFER DESCRIPTOR TABLE PAGE 2 REGISTER

| Bit Range | Bit 31/23/15/7 | Bit 30/22/14/6 | Bit 29/21/13/5 | Bit 28/20/12/4 | Bit 27/19/11/3 | Bit 26/18/10/2 | Bit 25/17/9/1 | Bit 24/16/8/0 |
|-----------|----------------|----------------|----------------|----------------|----------------|----------------|---------------|---------------|
| 31:24 | U-0 | U-0 | U-0 | U-0 | U-0 | U-0 | U-0 | U-0 |
| | — | — | — | — | — | — | — | — |
| 23:16 | U-0 | U-0 | U-0 | U-0 | U-0 | U-0 | U-0 | U-0 |
| | — | — | — | — | — | — | — | — |
| 15:8 | U-0 | U-0 | U-0 | U-0 | U-0 | U-0 | U-0 | U-0 |
| | — | — | — | — | — | — | — | — |
| 7:0 | R/W-0 | R/W-0 | R/W-0 | R/W-0 | R/W-0 | R/W-0 | R/W-0 | R/W-0 |
| | BDTPTRH<23:16> | | | | | | | |

Legend:

R = Readable bit W = Writable bit U = Unimplemented bit, read as '0'
 -n = Value at POR '1' = Bit is set '0' = Bit is cleared x = Bit is unknown

bit 31-8 **Unimplemented:** Read as '0'

bit 7-0 **BDTPTRH<23:16>:** Buffer Descriptor Table Base Address bits

This 8-bit value provides address bits 23 through 16 of the Buffer Descriptor Table base address, which defines the starting location of the Buffer Descriptor Table in system memory.

The 32-bit Buffer Descriptor Table base address is 512-byte aligned.

REGISTER 11-19: U1BDTP3: USB BUFFER DESCRIPTOR TABLE PAGE 3 REGISTER

| Bit Range | Bit 31/23/15/7 | Bit 30/22/14/6 | Bit 29/21/13/5 | Bit 28/20/12/4 | Bit 27/19/11/3 | Bit 26/18/10/2 | Bit 25/17/9/1 | Bit 24/16/8/0 |
|-----------|----------------|----------------|----------------|----------------|----------------|----------------|---------------|---------------|
| 31:24 | U-0 | U-0 | U-0 | U-0 | U-0 | U-0 | U-0 | U-0 |
| | — | — | — | — | — | — | — | — |
| 23:16 | U-0 | U-0 | U-0 | U-0 | U-0 | U-0 | U-0 | U-0 |
| | — | — | — | — | — | — | — | — |
| 15:8 | U-0 | U-0 | U-0 | U-0 | U-0 | U-0 | U-0 | U-0 |
| | — | — | — | — | — | — | — | — |
| 7:0 | R/W-0 | R/W-0 | R/W-0 | R/W-0 | R/W-0 | R/W-0 | R/W-0 | R/W-0 |
| | BDTPTRU<31:24> | | | | | | | |

Legend:

R = Readable bit W = Writable bit U = Unimplemented bit, read as '0'
 -n = Value at POR '1' = Bit is set '0' = Bit is cleared x = Bit is unknown

bit 31-8 **Unimplemented:** Read as '0'

bit 7-0 **BDTPTRU<31:24>:** Buffer Descriptor Table Base Address bits

This 8-bit value provides address bits 31 through 24 of the Buffer Descriptor Table base address, defines the starting location of the Buffer Descriptor Table in system memory.

The 32-bit Buffer Descriptor Table base address is 512-byte aligned.

PIC32MX1XX/2XX 28/44-PIN XLP FAMILY

REGISTER 11-20: U1CNFG1: USB CONFIGURATION 1 REGISTER

| Bit Range | Bit 31/23/15/7 | Bit 30/22/14/6 | Bit 29/21/13/5 | Bit 28/20/12/4 | Bit 27/19/11/3 | Bit 26/18/10/2 | Bit 25/17/9/1 | Bit 24/16/8/0 |
|-----------|----------------|-----------------|----------------|------------------|----------------|----------------|---------------|-------------------|
| 31:24 | U-0 — | U-0 — | U-0 — | U-0 — | U-0 — | U-0 — | U-0 — | U-0 — |
| 23:16 | U-0 — | U-0 — | U-0 — | U-0 — | U-0 — | U-0 — | U-0 — | U-0 — |
| 15:8 | U-0 — | U-0 — | U-0 — | U-0 — | U-0 — | U-0 — | U-0 — | U-0 — |
| 7:0 | R/W-0 UTEYE | R/W-0 UOEMON | U-0 — | R/W-0 USBSIDL | U-0 — | U-0 — | U-0 — | R/W-0 UASUSPND |

Legend:

R = Readable bit

W = Writable bit

U = Unimplemented bit, read as '0'

-n = Value at POR

'1' = Bit is set

'0' = Bit is cleared

x = Bit is unknown

bit 31-8 **Unimplemented:** Read as '0'

bit 7 **UTEYE:** USB Eye-Pattern Test Enable bit

1 = Eye-Pattern Test is enabled

0 = Eye-Pattern Test is disabled

bit 6 **UOEMON:** USB \overline{OE} Monitor Enable bit

1 = OE signal is active; it indicates intervals during which the D+/D- lines are driving

0 = OE signal is inactive

bit 5 **Unimplemented:** Read as '0'

bit 4 **USBSIDL:** Stop in Idle Mode bit

1 = Discontinue module operation when the device enters Idle mode

0 = Continue module operation when the device enters Idle mode

bit 3-1 **Unimplemented:** Read as '0'

bit 0 **UASUSPND:** Automatic Suspend Enable bit

1 = USB module automatically suspends upon entry to Sleep mode. See the USUSPEND bit (U1PWRC<1>) in [Register 11-5](#).

0 = USB module does not automatically suspend upon entry to Sleep mode. Software must use the USUSPEND bit (U1PWRC<1>) to suspend the module, including the USB 48 MHz clock.

PIC32MX1XX/2XX 28/44-PIN XLP FAMILY

REGISTER 11-21: U1EP0-U1EP15: USB ENDPOINT CONTROL REGISTER

| Bit Range | Bit 31/23/15/7 | Bit 30/22/14/6 | Bit 29/21/13/5 | Bit 28/20/12/4 | Bit 27/19/11/3 | Bit 26/18/10/2 | Bit 25/17/9/1 | Bit 24/16/8/0 |
|-----------|----------------|----------------|----------------|----------------|----------------|----------------|---------------|---------------|
| 31:24 | U-0 | U-0 | U-0 | U-0 | U-0 | U-0 | U-0 | U-0 |
| | — | — | — | — | — | — | — | — |
| 23:16 | U-0 | U-0 | U-0 | U-0 | U-0 | U-0 | U-0 | U-0 |
| | — | — | — | — | — | — | — | — |
| 15:8 | U-0 | U-0 | U-0 | U-0 | U-0 | U-0 | U-0 | U-0 |
| | — | — | — | — | — | — | — | — |
| 7:0 | R/W-0 | R/W-0 | U-0 | R/W-0 | R/W-0 | R/W-0 | R/W-0 | R/W-0 |
| | LSPD | RETRYDIS | — | EPCONDIS | EPRXEN | EPTXEN | EPSTALL | EPHSK |

Legend:

R = Readable bit W = Writable bit U = Unimplemented bit, read as '0'
 -n = Value at POR '1' = Bit is set '0' = Bit is cleared x = Bit is unknown

bit 31-8 **Unimplemented:** Read as '0'

bit 7 **LSPD:** Low-Speed Direct Connection Enable bit (Host mode and U1EP0 only)
 1 = Direct connection to a Low-Speed device enabled
 0 = Direct connection to a Low-Speed device disabled; hub required with PRE_PID

bit 6 **RETRYDIS:** Retry Disable bit (Host mode and U1EP0 only)
 1 = Retry NAKed transactions disabled
 0 = Retry NAKed transactions enabled; retry done in hardware

bit 5 **Unimplemented:** Read as '0'

bit 4 **EPCONDIS:** Bidirectional Endpoint Control bit
If EPTXEN = 1 and EPRXEN = 1:
 1 = Disable Endpoint n from Control transfers; only TX and RX transfers allowed
 0 = Enable Endpoint n for Control (SETUP) transfers; TX and RX transfers also allowed
 Otherwise, this bit is ignored.

bit 3 **EPRXEN:** Endpoint Receive Enable bit
 1 = Endpoint n receive is enabled
 0 = Endpoint n receive is disabled

bit 2 **EPTXEN:** Endpoint Transmit Enable bit
 1 = Endpoint n transmit is enabled
 0 = Endpoint n transmit is disabled

bit 1 **EPSTALL:** Endpoint Stall Status bit
 1 = Endpoint n was stalled
 0 = Endpoint n was not stalled

bit 0 **EPHSK:** Endpoint Handshake Enable bit
 1 = Endpoint Handshake is enabled
 0 = Endpoint Handshake is disabled (typically used for isochronous endpoints)

PIC32MX1XX/2XX 28/44-PIN XLP FAMILY

12.0 I/O PORTS

Note: This data sheet summarizes the features of the PIC32MX1XX/2XX 28/44-pin XLP Family of devices. It is not intended to be a comprehensive reference source. To complement the information in this data sheet, refer to **Section 12. “I/O Ports”** (DS60001120), which is available from the *Documentation > Reference Manual* section of the Microchip PIC32 web site (www.microchip.com/pic32).

General purpose I/O pins are the simplest of peripherals. They allow the PIC® MCU to monitor and control other devices. To add flexibility and functionality, some pins are multiplexed with alternate functions.

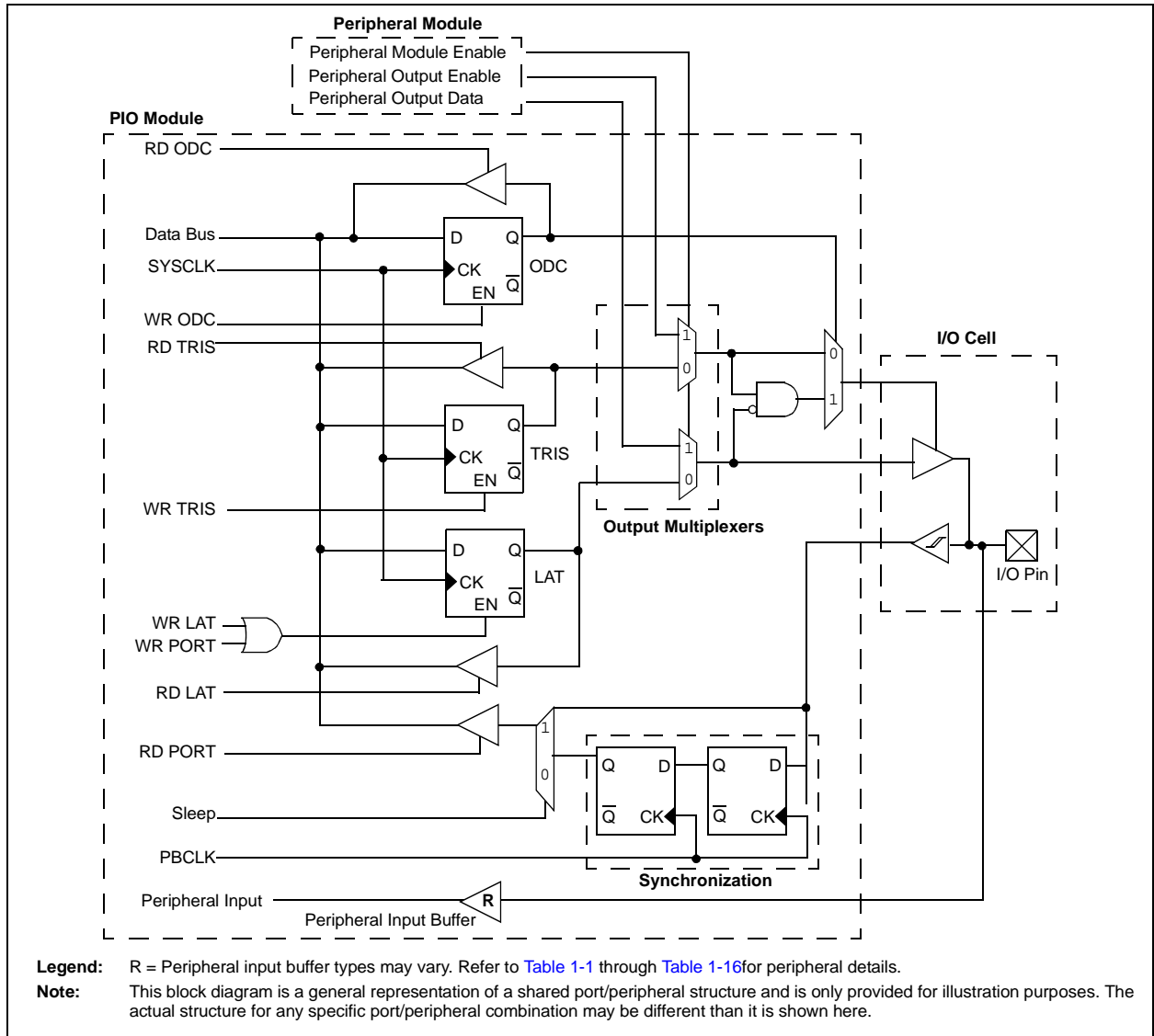
These functions depend on which peripheral features are on the device. In general, when a peripheral is functioning, that pin may not be used as a general purpose I/O pin.

The following are key features of the I/O Ports module:

- Individual output pin open-drain enable/disable
- Individual input pin weak pull-up and pull-down
- Monitor selective inputs and generate interrupt when change in pin state is detected
- Operation during Sleep and Idle modes
- Fast bit manipulation using CLR, SET, and INV registers

Figure 12-1 illustrates a block diagram of a typical multiplexed I/O port.

FIGURE 12-1: BLOCK DIAGRAM OF A TYPICAL MULTIPLEXED PORT STRUCTURE



Legend: R = Peripheral input buffer types may vary. Refer to Table 1-1 through Table 1-16 for peripheral details.

Note: This block diagram is a general representation of a shared port/peripheral structure and is only provided for illustration purposes. The actual structure for any specific port/peripheral combination may be different than it is shown here.

PIC32MX1XX/2XX 28/44-PIN XLP FAMILY

12.1 Parallel I/O (PIO) Ports

All port pins have 10 registers directly associated with their operation as digital I/O. The data direction register (TRISx) determines whether the pin is an input or an output. If the data direction bit is a '1', then the pin is an input. All port pins are defined as inputs after a Reset. Reads from the latch (LATx) read the latch. Writes to the latch write the latch. Reads from the port (PORTx) read the port pins, while writes to the port pins write the latch.

12.1.1 OPEN-DRAIN CONFIGURATION

In addition to the PORTx, LATx, and TRISx registers for data control, some port pins can also be individually configured for either digital or open-drain output. This is controlled by the Open-Drain Control register, ODCx, associated with each port. Setting any of the bits configures the corresponding pin to act as an open-drain output.

The open-drain feature allows the generation of outputs higher than VDD (e.g., 5V) on any desired 5V-tolerant pins by using external pull-up resistors. The maximum open-drain voltage allowed is the same as the maximum V_H specification.

See the “[Pin Diagrams](#)” section for the available pins and their functionality.

12.1.2 CONFIGURING ANALOG AND DIGITAL PORT PINS

The ANSELx register controls the operation of the analog port pins. The port pins that are to function as analog inputs must have their corresponding ANSEL and TRIS bits set. In order to use port pins for I/O functionality with digital modules, such as Timers, UARTs, etc., the corresponding ANSELx bit must be cleared.

The ANSELx register has a default value of 0xFFFF; therefore, all pins that share analog functions are analog (not digital) by default.

If the TRIS bit is cleared (output) while the ANSELx bit is set, the digital output level (VOH or VOL) is converted by an analog peripheral, such as the ADC module or Comparator module.

When the PORT register is read, all pins configured as analog input channels are read as cleared (a low level).

Pins configured as digital inputs do not convert an analog input. Analog levels on any pin defined as a digital input (including the ANx pins) can cause the input buffer to consume current that exceeds the device specifications.

12.1.3 I/O PORT WRITE/READ TIMING

One instruction cycle is required between a port direction change or port write operation and a read operation of the same port. Typically this instruction would be a NOP.

12.1.4 INPUT CHANGE NOTIFICATION

The input change notification function of the I/O ports allows the PIC32MX1XX/2XX 28/44-pin XLP Family devices to generate interrupt requests to the processor in response to a change-of-state on selected input pins. This feature can detect input change-of-states even in Sleep mode, when the clocks are disabled. Every I/O port pin can be selected (enabled) for generating an interrupt request on a change-of-state.

Five control registers are associated with the CN functionality of each I/O port. The CNENx registers contain the CN interrupt enable control bits for each of the input pins. Setting any of these bits enables a CN interrupt for the corresponding pins.

The CNSTATx register indicates whether a change occurred on the corresponding pin since the last read of the PORTx bit.

Each I/O pin also has a weak pull-up and a weak pull-down connected to it. The pull-ups act as a current source or sink source connected to the pin, and eliminate the need for external resistors when push-button or keypad devices are connected. The pull-ups and pull-downs are enabled separately using the CNPUx and the CNPDx registers, which contain the control bits for each of the pins. Setting any of the control bits enables the weak pull-ups and/or pull-downs for the corresponding pins.

Note: Pull-ups and pull-downs on change notification pins should always be disabled when the port pin is configured as a digital output.

An additional control register (CNCONx) is shown in [Register 12-3](#).

12.2 CLR, SET and INV Registers

Every I/O module register has a corresponding CLR (clear), SET (set) and INV (invert) register designed to provide fast atomic bit manipulations. As the name of the register implies, a value written to a SET, CLR or INV register effectively performs the implied operation, but only on the corresponding base register and only bits specified as '1' are modified. Bits specified as '0' are not modified.

Reading SET, CLR and INV registers returns undefined values. To see the affects of a write operation to a SET, CLR, or INV register, the base register must be read.

PIC32MX1XX/2XX 28/44-PIN XLP FAMILY

12.3 Peripheral Pin Select

A major challenge in general purpose devices is providing the largest possible set of peripheral features while minimizing the conflict of features on I/O pins. The challenge is even greater on low pin-count devices. In an application where more than one peripheral needs to be assigned to a single pin, inconvenient workarounds in application code or a complete redesign may be the only option.

The Peripheral Pin Select (PPS) configuration provides an alternative to these choices by enabling peripheral set selection and their placement on a wide range of I/O pins. By increasing the pinout options available on a particular device, users can better tailor the device to their entire application, rather than trimming the application to fit the device.

The PPS configuration feature operates over a fixed subset of digital I/O pins. Users may independently map the input and/or output of most digital peripherals to these I/O pins. PPS is performed in software and generally does not require the device to be reprogrammed. Hardware safeguards are included that prevent accidental or spurious changes to the peripheral mapping once it has been established.

12.3.1 AVAILABLE PINS

The number of available pins is dependent on the particular device and its pin count. Pins that support the PPS feature include the designation “RPn” in their full pin designation, where “RP” designates a remappable peripheral and “n” is the remappable port number.

12.3.2 AVAILABLE PERIPHERALS

The peripherals managed by the PPS are all digital-only peripherals. These include general serial communications (UART and SPI), general purpose timer clock inputs, timer-related peripherals (input capture and output compare) and interrupt-on-change inputs.

In comparison, some digital-only peripheral modules are never included in the PPS feature. This is because the peripheral's function requires special I/O circuitry on a specific port and cannot be easily connected to multiple pins. These modules include I²C among others. A similar requirement excludes all modules with analog inputs, such as the Analog-to-Digital Converter (ADC).

A key difference between remappable and non-remappable peripherals is that remappable peripherals are not associated with a default I/O pin. The peripheral must always be assigned to a specific I/O pin before it can be used. In contrast, non-remappable peripherals are always available on a default pin, assuming that the peripheral is active and not conflicting with another peripheral.

When a remappable peripheral is active on a given I/O pin, it takes priority over all other digital I/O and digital communication peripherals associated with the pin.

Priority is given regardless of the type of peripheral that is mapped. Remappable peripherals never take priority over any analog functions associated with the pin.

12.3.3 CONTROLLING PERIPHERAL PIN SELECT

PPS features are controlled through two sets of SFRs: one to map peripheral inputs, and one to map outputs. Because they are separately controlled, a particular peripheral's input and output (if the peripheral has both) can be placed on any selectable function pin without constraint.

The association of a peripheral to a peripheral-selectable pin is handled in two different ways, depending on whether an input or output is being mapped.

12.3.4 INPUT MAPPING

The inputs of the PPS options are mapped on the basis of the peripheral. That is, a control register associated with a peripheral dictates the pin it will be mapped to. The [pin name]R registers, where [pin name] refers to the peripheral pins listed in Table , are used to configure peripheral input mapping (see Register 12-1). Each register contains sets of 4 bit fields. Programming these bit fields with an appropriate value maps the RPn pin with the corresponding value to that peripheral. For any given device, the valid range of values for any bit field is shown in Table .

For example, Figure 12-2 illustrates the remappable pin selection for the U1RX input.

FIGURE 12-2: REMAPPABLE INPUT EXAMPLE FOR U1RX



PIC32MX1XX/2XX 28/44-PIN XLP FAMILY

TABLE 12-1: INPUT PIN SELECTION

| Peripheral Pin | [pin name]R SFR | [pin name]R bits | [pin name]R Value to RPN Pin Selection |
|--------------------|-----------------|------------------|--|
| INT4 | INT4R | INT4R<3:0> | 0000 = RPA0 |
| T2CK | T2CKR | T2CKR<3:0> | 0001 = RPB3 |
| IC4 | IC4R | IC4R<3:0> | 0010 = RPB4 |
| $\overline{SS1}$ | SS1R | SS1R<3:0> | 0011 = RPB15 |
| REFCLKI | REFCLKIR | REFCLKIR<3:0> | 0100 = RPB7 |
| INT3 | INT3R | INT3R<3:0> | 0101 = RPC7 ⁽¹⁾ |
| T3CK | T3CKR | T3CKR<3:0> | 0110 = RPC0 ⁽¹⁾ |
| IC3 | IC3R | IC3R<3:0> | 0111 = RPC5 ⁽¹⁾ |
| $\overline{U1CTS}$ | U1CTSR | U1CTSR<3:0> | 1000 = Reserved |
| U2RX | U2RXR | U2RXR<3:0> | . |
| SDI1 | SDI1R | SDI1R<3:0> | . |
| INT2 | INT2R | INT2R<3:0> | 1111 = Reserved |
| T4CK | T4CKR | T4CKR<3:0> | 0000 = RPA1 |
| IC1 | IC1R | IC1R<3:0> | 0001 = RPB5 |
| $\overline{U2CTS}$ | U2CTSR | U2CTSR<3:0> | 0010 = RPB1 |
| SDI2 | SDI2R | SDI2R<3:0> | 0011 = RPB11 ⁽²⁾ |
| OCFB | OCFBR | OCFBR<3:0> | 0100 = RPB8 |
| INT1 | INT1R | INT1R<3:0> | 0101 = RPA8 ⁽¹⁾ |
| T5CK | T5CKR | T5CKR<3:0> | 0110 = RPC8 ⁽¹⁾ |
| IC2 | IC2R | IC2R<3:0> | 0111 = RPA9 ⁽¹⁾ |
| $\overline{SS2}$ | SS2R | SS2R<3:0> | 1000 = Reserved |
| OCFA | OCFAR | OCFAR<3:0> | . |
| | | | 1111 = Reserved |

Note 1: This pin is only available on 44-pin devices.

2: This pin is not available on USB devices.

3: This pin is not available on VBAT devices.

12.3.5 OUTPUT MAPPING

In contrast to inputs, the outputs of the PPS options are mapped on the basis of the pin. In this case, a control register associated with a particular pin dictates the peripheral output to be mapped. The RPNR registers (Register 12-2) are used to control output mapping. Like the [pin name]R registers, each register contains sets of 4 bit fields. The value of the bit field corresponds to one of the peripherals, and that peripheral's output is mapped to the pin (see Table and Figure 12-3).

A null output is associated with the output register reset value of '0'. This is done to ensure that remappable outputs remain disconnected from all output pins by default.

FIGURE 12-3: EXAMPLE OF MULTIPLEXING OF REMAPPABLE OUTPUT FOR RPA0



12.3.6 CONTROLLING CONFIGURATION CHANGES

Because peripheral remapping can be changed during run time, some restrictions on peripheral remapping are needed to prevent accidental configuration changes. PIC32 devices include two features to prevent alterations to the peripheral map:

- Control register lock sequence
- Configuration bit select lock

12.3.6.1 Control Register Lock Sequence

Under normal operation, writes to the RPNR and [pin name]R registers are not allowed. Attempted writes appear to execute normally, but the contents of the registers remain unchanged. To change these registers, they must be unlocked in hardware. The register lock is controlled by the Configuration bit, IOLOCK (CFGCON<13>). Setting IOLOCK prevents writes to the control registers; clearing IOLOCK allows writes.

To set or clear the IOLOCK bit, an unlock sequence must be executed. Refer to **Section 6. "Oscillator"** (DS60001112) in the "PIC32 Family Reference Manual" for details.

12.3.6.2 Configuration Bit Select Lock

As an additional level of safety, the device can be configured to prevent more than one write session to the RPNR and [pin name]R registers. The Configuration bit, IOL1WAY (DEVCFG3<29>), blocks the IOLOCK bit from being cleared after it has been set once. If IOLOCK remains set, the register unlock procedure does not execute, and the PPS control registers cannot be written to. The only way to clear the bit and re-enable peripheral remapping is to perform a device Reset.

In the default (unprogrammed) state, IOL1WAY is set, restricting users to one write session.

PIC32MX1XX/2XX 28/44-PIN XLP FAMILY

TABLE 12-2: OUTPUT PIN SELECTION

| RPn Port Pin | RPnR SFR | RPnR bits | RPnR Value to Peripheral Selection |
|----------------------|----------|-------------|--|
| RPA0 | RPA0R | RPA0R<3:0> | 0000 = No Connect 0001 = U1TX 0010 = U2RTS 0011 = SS1 0100 = VBUSON ⁽⁴⁾ 0101 = OC1 0110 = Reserved 0111 = C2OUT 1000 = Reserved • • • 1111 = Reserved |
| RPB3 | RPB3R | RPB3R<3:0> | |
| RPB15 | RPB15R | RPB15R<3:0> | |
| RPB7 | RPB7R | RPB7R<3:0> | |
| RPC7 ⁽¹⁾ | RPC7R | RPC7R<3:0> | |
| RPC0 ⁽¹⁾ | RPC0R | RPC0R<3:0> | |
| RPC5 ⁽¹⁾ | RPC5R | RPC5R<3:0> | |
| RPA1 | RPA1R | RPA1R<3:0> | |
| RPB5 | RPB5R | RPB5R<3:0> | |
| RPB1 | RPB1R | RPB1R<3:0> | |
| RPB11 ⁽²⁾ | RPB11R | RPB11R<3:0> | |
| RPB8 | RPB8R | RPB8R<3:0> | |
| RPA8 ⁽¹⁾ | RPA8R | RPA8R<3:0> | |
| RPC8 ⁽¹⁾ | RPC8R | RPC8R<3:0> | |
| RPA9 ⁽¹⁾ | RPA9R | RPA9R<3:0> | |
| RPA2 | RPA2R | RPA2R<3:0> | 0000 = No Connect 0001 = Reserved 0010 = Reserved 0011 = SDO1 0100 = SDO2 0101 = OC4 0110 = OC5 0111 = REFCLKO 1000 = Reserved • • • 1111 = Reserved |
| RPB6 ⁽²⁾ | RPB6R | RPB6R<3:0> | |
| RPB13 ⁽³⁾ | RPB13R | RPB13R<3:0> | |
| RPB2 | RPB2R | RPB2R<3:0> | |
| RPC6 ⁽¹⁾ | RPC6R | RPC6R<3:0> | |
| RPC1 ⁽¹⁾ | RPC1R | RPC1R<3:0> | |
| RPC3 ⁽¹⁾ | RPC3R | RPC3R<3:0> | |
| RPA3 | RPA3R | RPA3R<3:0> | |
| RPB14 | RPB14R | RPB14R<3:0> | |
| RPB0 | RPB0R | RPB0R<3:0> | |
| RPB10 ⁽²⁾ | RPB10R | RPB10R<3:0> | |
| RPB9 | RPB9R | RPB9R<3:0> | |
| RPC9 ⁽¹⁾ | RPC9R | RPC9R<3:0> | |
| RPC2 ⁽¹⁾ | RPC2R | RPC2R<3:0> | |
| RPC4 ⁽¹⁾ | RPC4R | RPC4R<3:0> | |

- Note 1:** This pin is only available on 44-pin devices.
2: This pin is not available on USB devices.
3: This pin is not available on VBAT devices.
4: This pin is only available on USB devices.

12.4 Ports Control Registers

TABLE 12-3: PORTA REGISTER MAP

| Virtual Address (BF88..#) | Register Name ⁽¹⁾ | Bit Range | Bits | | | | | | | | | | | | | | | | All Resets |
|---------------------------|------------------------------|-----------|-------|-------|-------|-------|-------|--------------------------|-------------------------|-------------------------|-------------------------|------|------|----------|----------|----------|----------|----------|------------|
| | | | 31/15 | 30/14 | 29/13 | 28/12 | 27/11 | 26/10 | 25/9 | 24/8 | 23/7 | 22/6 | 21/5 | 20/4 | 19/3 | 18/2 | 17/1 | 16/0 | |
| 6000 | ANSELA | 31:16 | — | — | — | — | — | — | — | — | — | — | — | — | — | — | — | — | 0000 |
| | | 15:0 | — | — | — | — | — | — | — | — | — | — | — | — | — | — | — | ANSA1 | ANSA0 |
| 6010 | TRISA | 31:16 | — | — | — | — | — | — | — | — | — | — | — | — | — | — | — | — | 0000 |
| | | 15:0 | — | — | — | — | — | TRISA10 ⁽²⁾ | TRISA9 ⁽²⁾ | TRISA8 ⁽²⁾ | TRISA7 ⁽²⁾ | — | — | TRISA4 | TRISA3 | TRISA2 | TRISA1 | TRISA0 | 079F |
| 6020 | PORTA | 31:16 | — | — | — | — | — | — | — | — | — | — | — | — | — | — | — | — | 0000 |
| | | 15:0 | — | — | — | — | — | RA10 ⁽²⁾ | RA9 ⁽²⁾ | RA8 ⁽²⁾ | RA7 ⁽²⁾ | — | — | RA4 | RA3 | RA2 | RA1 | RA0 | xxxxx |
| 6030 | LATA | 31:16 | — | — | — | — | — | — | — | — | — | — | — | — | — | — | — | — | 0000 |
| | | 15:0 | — | — | — | — | — | LATA10 ⁽²⁾ | LATA9 ⁽²⁾ | LATA8 ⁽²⁾ | LATA7 ⁽²⁾ | — | — | LATA4 | LATA3 | LATA2 | LATA1 | LATA0 | xxxxx |
| 6040 | ODCA | 31:16 | — | — | — | — | — | — | — | — | — | — | — | — | — | — | — | — | 0000 |
| | | 15:0 | — | — | — | — | — | ODCA10 ⁽²⁾ | ODCA9 ⁽²⁾ | ODCA8 ⁽²⁾ | ODCA7 ⁽²⁾ | — | — | ODCA4 | ODCA3 | ODCA2 | ODCA1 | ODCA0 | 0000 |
| 6050 | CNPUA | 31:16 | — | — | — | — | — | — | — | — | — | — | — | — | — | — | — | — | 0000 |
| | | 15:0 | — | — | — | — | — | CNPUA10 ⁽²⁾ | CNPUA9 ⁽²⁾ | CNPUA8 ⁽²⁾ | CNPUA7 ⁽²⁾ | — | — | CNPUA4 | CNPUA3 | CNPUA2 | CNPUA1 | CNPUA0 | 0000 |
| 6060 | CNPDA | 31:16 | — | — | — | — | — | — | — | — | — | — | — | — | — | — | — | — | 0000 |
| | | 15:0 | — | — | — | — | — | CNPDA10 ⁽²⁾ | CNPDA9 ⁽²⁾ | CNPDA8 ⁽²⁾ | CNPDA7 ⁽²⁾ | — | — | CNPDA4 | CNPDA3 | CNPDA2 | CNPDA1 | CNPDA0 | 0000 |
| 6070 | CNCONA | 31:16 | — | — | — | — | — | — | — | — | — | — | — | — | — | — | — | — | 0000 |
| | | 15:0 | ON | — | SIDL | — | — | — | — | — | — | — | — | — | — | — | — | — | 0000 |
| 6080 | CNENA | 31:16 | — | — | — | — | — | — | — | — | — | — | — | — | — | — | — | — | 0000 |
| | | 15:0 | — | — | — | — | — | CNIEA10 ⁽²⁾ | CNIEA9 ⁽²⁾ | CNIEA8 ⁽²⁾ | CNIEA7 ⁽²⁾ | — | — | CNIEA4 | CNIEA3 | CNIEA2 | CNIEA1 | CNIEA0 | 0000 |
| 6090 | CNSTATA | 31:16 | — | — | — | — | — | — | — | — | — | — | — | — | — | — | — | — | 0000 |
| | | 15:0 | — | — | — | — | — | CNSTATA10 ⁽²⁾ | CNSTATA9 ⁽²⁾ | CNSTATA8 ⁽²⁾ | CNSTATA7 ⁽²⁾ | — | — | CNSTATA4 | CNSTATA3 | CNSTATA2 | CNSTATA1 | CNSTATA0 | 0000 |

Legend: x = unknown value on Reset; — = unimplemented, read as '0'. Reset values are shown in hexadecimal.

- Note** 1: All registers in this table have corresponding CLR, SET and INV registers at their virtual addresses, plus offsets of 0x4, 0x8 and 0xC, respectively. See [12.2 "CLR, SET and INV Registers"](#) for more information.
- 2: This bit is only available on 44-pin devices.

TABLE 12-4: PORTB REGISTER MAP

| Virtual Address (BF88.#) | Register Name | Bit Range | Bits | | | | | | | | | | | | | | | | All Resets |
|--------------------------|---------------|-----------|------------|------------|---------------------------|---------------------------|---------------------------|---------------------------|-----------|-----------|-----------|--------------------------|-----------|-----------|-----------|-----------|-----------|-----------|------------|
| | | | 31/15 | 30/14 | 29/13 | 28/12 | 27/11 | 26/10 | 25/9 | 24/8 | 23/7 | 22/6 | 21/5 | 20/4 | 19/3 | 18/2 | 17/1 | 16/0 | |
| 6100 | ANSELB | 31:16 | — | — | — | — | — | — | — | — | — | — | — | — | — | — | — | — | 0000 |
| | | 15:0 | ANSB15 | ANSB14 | ANSB13 ⁽³⁾ | ANSB12 ⁽²⁾ | — | — | — | — | — | — | — | — | — | ANSB3 | ANSB2 | ANSB1 | ANSB0 |
| 6110 | TRISB | 31:16 | — | — | — | — | — | — | — | — | — | — | — | — | — | — | — | — | 0000 |
| | | 15:0 | TRISB15 | TRISB14 | TRISB13 ⁽³⁾ | TRISB12 ⁽²⁾ | TRISB11 ⁽²⁾ | TRISB10 ⁽²⁾ | TRISB9 | TRISB8 | TRISB7 | TRISB6 ⁽²⁾ | TRISB5 | TRISB4 | TRISB3 | TRISB2 | TRISB1 | TRISB0 | FFFF |
| 6120 | PORTB | 31:16 | — | — | — | — | — | — | — | — | — | — | — | — | — | — | — | — | 0000 |
| | | 15:0 | RB15 | RB14 | RB13 ⁽³⁾ | RB12 ⁽²⁾ | RB11 ⁽²⁾ | RB10 ⁽²⁾ | RB9 | RB8 | RB7 | RC6 ⁽²⁾ | RB5 | RB4 | RB3 | RB2 | RB1 | RB0 | xxxxx |
| 6130 | LATB | 31:16 | — | — | — | — | — | — | — | — | — | — | — | — | — | — | — | — | 0000 |
| | | 15:0 | LATB15 | LATB14 | LATB13 ⁽³⁾ | LATB12 ⁽²⁾ | LATB11 ⁽²⁾ | LATB10 ⁽²⁾ | LATB9 | LATB8 | LATB7 | LATB6 ⁽²⁾ | LATB5 | LATB4 | LATB3 | LATB2 | LATB1 | LATB0 | xxxxx |
| 6140 | ODCB | 31:16 | — | — | — | — | — | — | — | — | — | — | — | — | — | — | — | — | 0000 |
| | | 15:0 | ODCB15 | ODCB14 | ODCB13 ⁽³⁾ | ODCB12 ⁽²⁾ | ODCB11 ⁽²⁾ | ODCB10 ⁽²⁾ | ODCB9 | ODCB8 | ODCB7 | ODCB6 | ODCB5 | ODCB4 | ODCB3 | ODCB2 | ODCB1 | ODCB0 | 0000 |
| 6150 | CNPUB | 31:16 | — | — | — | — | — | — | — | — | — | — | — | — | — | — | — | — | 0000 |
| | | 15:0 | CNPUB15 | CNPUB14 | CNPUB13 ⁽³⁾ | CNPUB12 ⁽²⁾ | CNPUB11 ⁽²⁾ | CNPUB10 ⁽²⁾ | CNPUB9 | CNPUB8 | CNPUB7 | CNPUB6 ⁽²⁾ | CNPUB5 | CNPUB4 | CNPUB3 | CNPUB2 | CNPUB1 | CNPUB0 | 0000 |
| 6160 | CNPDB | 31:16 | — | — | — | — | — | — | — | — | — | — | — | — | — | — | — | — | 0000 |
| | | 15:0 | CNPDB15 | CNPDB14 | CNPDB13 | CNPDB12 ⁽²⁾ | CNPDB11 ⁽²⁾ | CNPDB10 ⁽²⁾ | CNPDB9 | CNPDB8 | CNPDB7 | CNPDB6 ⁽²⁾ | CNPDB5 | CNPDB4 | CNPDB3 | CNPDB2 | CNPDB1 | CNPDB0 | 0000 |
| 6170 | CNCONB | 31:16 | — | — | — | — | — | — | — | — | — | — | — | — | — | — | — | — | 0000 |
| | | 15:0 | ON | — | SIDL | — | — | — | — | — | — | — | — | — | — | — | — | — | 0000 |
| 6180 | CNENB | 31:16 | — | — | — | — | — | — | — | — | — | — | — | — | — | — | — | — | 0000 |
| | | 15:0 | CNIEB15 | CNIEB14 | CNIEB13 ⁽³⁾ | CNIEB11 ⁽²⁾ | CNIEB11 ⁽²⁾ | CNIEB10 ⁽²⁾ | CNIEB9 | CNIEB8 | CNIEB7 | CNIEB6 ⁽²⁾ | CNIEB5 | CNIEB4 | CNIEB3 | CNIEB2 | CNIEB1 | CNIEB0 | 0000 |
| 6190 | CNSTATB | 31:16 | — | — | — | — | — | — | — | — | — | — | — | — | — | — | — | — | 0000 |
| | | 15:0 | CN STATB15 | CN STATB14 | CN STATB13 ⁽³⁾ | CN STATB12 ⁽²⁾ | CN STATB11 ⁽²⁾ | CN STATB10 ⁽²⁾ | CN STATB9 | CN STATB8 | CN STATB7 | CN STATB6 ⁽²⁾ | CN STATB5 | CN STATB4 | CN STATB3 | CN STATB2 | CN STATB1 | CN STATB0 | 0000 |

Legend: x = unknown value on Reset; — = unimplemented, read as '0'. Reset values are shown in hexadecimal.

- Note 1:** All registers in this table have corresponding CLR, SET and INV registers at their virtual addresses, plus offsets of 0x4, 0x8 and 0xC, respectively. See 12.2 “CLR, SET and INV Registers” for more information.
- 2:** This bit is not available on USB devices.
- 3:** This bit is not available on VBAT devices.

TABLE 12-5: PORTC REGISTER MAP

| Virtual Address (BF88.#) | Register Name ^(1,2) | Bit Range | Bits | | | | | | | | | | | | | | | | All Resets |
|--------------------------|--------------------------------|-----------|-------|-------|-------|-------|-------|-------|----------|----------|----------|----------|----------|----------|----------|----------|----------|----------|------------|
| | | | 31/15 | 30/14 | 29/13 | 28/12 | 27/11 | 26/10 | 25/9 | 24/8 | 23/7 | 22/6 | 21/5 | 20/4 | 19/3 | 18/2 | 17/1 | 16/0 | |
| 6200 | ANSEL | 31:16 | — | — | — | — | — | — | — | — | — | — | — | — | — | — | — | — | 0000 |
| | | 15:0 | — | — | — | — | — | — | — | — | — | — | — | — | — | ANSC3 | ANSC2 | ANSC1 | ANSC0 |
| 6210 | TRISC | 31:16 | — | — | — | — | — | — | — | — | — | — | — | — | — | — | — | — | 0000 |
| | | 15:0 | — | — | — | — | — | — | TRISC9 | TRISC8 | TRISC7 | TRISC6 | TRISC5 | TRISC4 | TRISC3 | TRISC2 | TRISC1 | TRISC0 | 03FF |
| 6220 | PORTC | 31:16 | — | — | — | — | — | — | — | — | — | — | — | — | — | — | — | — | 0000 |
| | | 15:0 | — | — | — | — | — | — | RC9 | RC8 | RC7 | RC6 | RC5 | RC4 | RC3 | RC2 | RC1 | RC0 | xxxx |
| 6230 | LATC | 31:16 | — | — | — | — | — | — | — | — | — | — | — | — | — | — | — | — | 0000 |
| | | 15:0 | — | — | — | — | — | — | LATC9 | LATC8 | LATC7 | LATC6 | LATC5 | LATC4 | LATC3 | LATC2 | LATC1 | LATC0 | xxxx |
| 6240 | ODCC | 31:16 | — | — | — | — | — | — | — | — | — | — | — | — | — | — | — | — | 0000 |
| | | 15:0 | — | — | — | — | — | — | ODCC9 | ODCC8 | ODCC7 | ODCC6 | ODCC5 | ODCC4 | ODCC3 | ODCC2 | ODCC1 | ODCC0 | 0000 |
| 6250 | CNPUC | 31:16 | — | — | — | — | — | — | — | — | — | — | — | — | — | — | — | — | 0000 |
| | | 15:0 | — | — | — | — | — | — | CNPUC9 | CNPUC8 | CNPUC7 | CNPUC6 | CNPUC5 | CNPUC4 | CNPUC3 | CNPUC2 | CNPUC1 | CNPUC0 | 0000 |
| 6260 | CNPDC | 31:16 | — | — | — | — | — | — | — | — | — | — | — | — | — | — | — | — | 0000 |
| | | 15:0 | — | — | — | — | — | — | CNPDC9 | CNPDC8 | CNPDC7 | CNPDC6 | CNPDC5 | CNPDC4 | CNPDC3 | CNPDC2 | CNPDC1 | CNPDC0 | 0000 |
| 6270 | CNCONC | 31:16 | — | — | — | — | — | — | — | — | — | — | — | — | — | — | — | — | 0000 |
| | | 15:0 | ON | — | SIDL | — | — | — | — | — | — | — | — | — | — | — | — | — | — |
| 6280 | CNENC | 31:16 | — | — | — | — | — | — | — | — | — | — | — | — | — | — | — | — | 0000 |
| | | 15:0 | — | — | — | — | — | — | CNIEC9 | CNIEC8 | CNIEC7 | CNIEC6 | CNIEC5 | CNIEC4 | CNIEC3 | CNIEC2 | CNIEC1 | CNIEC0 | 0000 |
| 6290 | CNSTATC | 31:16 | — | — | — | — | — | — | — | — | — | — | — | — | — | — | — | — | 0000 |
| | | 15:0 | — | — | — | — | — | — | CNSTATC9 | CNSTATC8 | CNSTATC7 | CNSTATC6 | CNSTATC5 | CNSTATC4 | CNSTATC3 | CNSTATC2 | CNSTATC1 | CNSTATC0 | 0000 |

Legend: x = unknown value on Reset; — = unimplemented, read as '0'. Reset values are shown in hexadecimal.

- Note 1:** All registers in this table have corresponding CLR, SET and INV registers at their virtual addresses, plus offsets of 0x4, 0x8 and 0xC, respectively. See 12.2 “CLR, SET and INV Registers” for more information.
- Note 2:** PORTC is not available on 28-pin devices.

TABLE 12-6: PERIPHERAL PIN SELECT INPUT REGISTER MAP

| Virtual Address (BF80_#) | Register Name | Bit Range | Bits | | | | | | | | | | | | | | | | All Resets |
|-----------------------------|------------------|-----------|-------|-------|-------|-------|-------|-------|------|------|------|------|------|------|------------|------|------|------|------------|
| | | | 31/15 | 30/14 | 29/13 | 28/12 | 27/11 | 26/10 | 25/9 | 24/8 | 23/7 | 22/6 | 21/5 | 20/4 | 19/3 | 18/2 | 17/1 | 16/0 | |
| FA04 | INT1R | 31:16 | — | — | — | — | — | — | — | — | — | — | — | — | — | — | — | — | 0000 |
| | | 15:0 | — | — | — | — | — | — | — | — | — | — | — | — | INT1R<3:0> | | | | 0000 |
| FA08 | INT2R | 31:16 | — | — | — | — | — | — | — | — | — | — | — | — | — | — | — | — | 0000 |
| | | 15:0 | — | — | — | — | — | — | — | — | — | — | — | — | INT2R<3:0> | | | | 0000 |
| FA0C | INT3R | 31:16 | — | — | — | — | — | — | — | — | — | — | — | — | — | — | — | — | 0000 |
| | | 15:0 | — | — | — | — | — | — | — | — | — | — | — | — | INT3R<3:0> | | | | 0000 |
| FA10 | INT4R | 31:16 | — | — | — | — | — | — | — | — | — | — | — | — | — | — | — | — | 0000 |
| | | 15:0 | — | — | — | — | — | — | — | — | — | — | — | — | INT4R<3:0> | | | | 0000 |
| FA18 | T2CKR | 31:16 | — | — | — | — | — | — | — | — | — | — | — | — | — | — | — | — | 0000 |
| | | 15:0 | — | — | — | — | — | — | — | — | — | — | — | — | T2CKR<3:0> | | | | 0000 |
| FA1C | T3CKR | 31:16 | — | — | — | — | — | — | — | — | — | — | — | — | — | — | — | — | 0000 |
| | | 15:0 | — | — | — | — | — | — | — | — | — | — | — | — | T3CKR<3:0> | | | | 0000 |
| FA20 | T4CKR | 31:16 | — | — | — | — | — | — | — | — | — | — | — | — | — | — | — | — | 0000 |
| | | 15:0 | — | — | — | — | — | — | — | — | — | — | — | — | T4CKR<3:0> | | | | 0000 |
| FA24 | T5CKR | 31:16 | — | — | — | — | — | — | — | — | — | — | — | — | — | — | — | — | 0000 |
| | | 15:0 | — | — | — | — | — | — | — | — | — | — | — | — | T5CKR<3:0> | | | | 0000 |
| FA28 | IC1R | 31:16 | — | — | — | — | — | — | — | — | — | — | — | — | — | — | — | — | 0000 |
| | | 15:0 | — | — | — | — | — | — | — | — | — | — | — | — | IC1R<3:0> | | | | 0000 |
| FA2C | IC2R | 31:16 | — | — | — | — | — | — | — | — | — | — | — | — | — | — | — | — | 0000 |
| | | 15:0 | — | — | — | — | — | — | — | — | — | — | — | — | IC2R<3:0> | | | | 0000 |
| FA30 | IC3R | 31:16 | — | — | — | — | — | — | — | — | — | — | — | — | — | — | — | — | 0000 |
| | | 15:0 | — | — | — | — | — | — | — | — | — | — | — | — | IC3R<3:0> | | | | 0000 |
| FA34 | IC4R | 31:16 | — | — | — | — | — | — | — | — | — | — | — | — | — | — | — | — | 0000 |
| | | 15:0 | — | — | — | — | — | — | — | — | — | — | — | — | IC4R<3:0> | | | | 0000 |
| FA38 | IC5R | 31:16 | — | — | — | — | — | — | — | — | — | — | — | — | — | — | — | — | 0000 |
| | | 15:0 | — | — | — | — | — | — | — | — | — | — | — | — | IC5R<3:0> | | | | 0000 |
| FA48 | OCFAR | 31:16 | — | — | — | — | — | — | — | — | — | — | — | — | — | — | — | — | 0000 |
| | | 15:0 | — | — | — | — | — | — | — | — | — | — | — | — | OCFAR<3:0> | | | | 0000 |
| FA4C | OCFBR | 31:16 | — | — | — | — | — | — | — | — | — | — | — | — | — | — | — | — | 0000 |
| | | 15:0 | — | — | — | — | — | — | — | — | — | — | — | — | OCFBR<3:0> | | | | 0000 |
| FA50 | U1RXR | 31:16 | — | — | — | — | — | — | — | — | — | — | — | — | — | — | — | — | 0000 |
| | | 15:0 | — | — | — | — | — | — | — | — | — | — | — | — | U1RXR<3:0> | | | | 0000 |

TABLE 12-6: PERIPHERAL PIN SELECT INPUT REGISTER MAP (CONTINUED)

| Virtual Address (BF80_#) | Register Name | Bit Range | Bits | | | | | | | | | | | | | | | All Resets | |
|-----------------------------|------------------|-----------|-------|-------|-------|-------|-------|-------|------|------|------|------|------|------|---------------|------|------|------------|------|
| | | | 31/15 | 30/14 | 29/13 | 28/12 | 27/11 | 26/10 | 25/9 | 24/8 | 23/7 | 22/6 | 21/5 | 20/4 | 19/3 | 18/2 | 17/1 | | 16/0 |
| FA54 | U1CTSR | 31:16 | — | — | — | — | — | — | — | — | — | — | — | — | — | — | — | — | 0000 |
| | | 15:0 | — | — | — | — | — | — | — | — | — | — | — | — | U1CTSR<3:0> | | | 0000 | |
| FA58 | U2RXR | 31:16 | — | — | — | — | — | — | — | — | — | — | — | — | — | — | — | — | 0000 |
| | | 15:0 | — | — | — | — | — | — | — | — | — | — | — | — | U2RXR<3:0> | | | 0000 | |
| FA5C | U2CTSR | 31:16 | — | — | — | — | — | — | — | — | — | — | — | — | — | — | — | — | 0000 |
| | | 15:0 | — | — | — | — | — | — | — | — | — | — | — | — | U2CTSR<3:0> | | | 0000 | |
| FA84 | SDI1R | 31:16 | — | — | — | — | — | — | — | — | — | — | — | — | — | — | — | — | 0000 |
| | | 15:0 | — | — | — | — | — | — | — | — | — | — | — | — | SDI1R<3:0> | | | 0000 | |
| FA88 | SS1R | 31:16 | — | — | — | — | — | — | — | — | — | — | — | — | — | — | — | — | 0000 |
| | | 15:0 | — | — | — | — | — | — | — | — | — | — | — | — | SS1R<3:0> | | | 0000 | |
| FA90 | SDI2R | 31:16 | — | — | — | — | — | — | — | — | — | — | — | — | — | — | — | — | 0000 |
| | | 15:0 | — | — | — | — | — | — | — | — | — | — | — | — | SDI2R<3:0> | | | 0000 | |
| FA94 | SS2R | 31:16 | — | — | — | — | — | — | — | — | — | — | — | — | — | — | — | — | 0000 |
| | | 15:0 | — | — | — | — | — | — | — | — | — | — | — | — | SS2R<3:0> | | | 0000 | |
| FAB8 | REFCLKIR | 31:16 | — | — | — | — | — | — | — | — | — | — | — | — | — | — | — | — | 0000 |
| | | 15:0 | — | — | — | — | — | — | — | — | — | — | — | — | REFCLKIR<3:0> | | | 0000 | |

TABLE 12-7: PERIPHERAL PIN SELECT OUTPUT REGISTER MAP

| Virtual Address (BF80_#) | Register Name | Bit Range | Bits | | | | | | | | | | | | | | | All Resets | |
|-----------------------------|----------------------|-----------|-------|-------|-------|-------|-------|-------|------|------|------|------|------|------|-----------|------|------|------------|------|
| | | | 31/15 | 30/14 | 29/13 | 28/12 | 27/11 | 26/10 | 25/9 | 24/8 | 23/7 | 22/6 | 21/5 | 20/4 | 19/3 | 18/2 | 17/1 | | 16/0 |
| FB00 | RPA0R | 31:16 | — | — | — | — | — | — | — | — | — | — | — | — | — | — | — | — | 0000 |
| | | 15:0 | — | — | — | — | — | — | — | — | — | — | — | — | RPA0<3:0> | | | | 0000 |
| FB04 | RPA1R | 31:16 | — | — | — | — | — | — | — | — | — | — | — | — | — | — | — | — | 0000 |
| | | 15:0 | — | — | — | — | — | — | — | — | — | — | — | — | RPA1<3:0> | | | | 0000 |
| FB08 | RPA2R | 31:16 | — | — | — | — | — | — | — | — | — | — | — | — | — | — | — | — | 0000 |
| | | 15:0 | — | — | — | — | — | — | — | — | — | — | — | — | RPA2<3:0> | | | | 0000 |
| FB0C | RPA3R | 31:16 | — | — | — | — | — | — | — | — | — | — | — | — | — | — | — | — | 0000 |
| | | 15:0 | — | — | — | — | — | — | — | — | — | — | — | — | RPA3<3:0> | | | | 0000 |
| FB10 | RPA4R | 31:16 | — | — | — | — | — | — | — | — | — | — | — | — | — | — | — | — | 0000 |
| | | 15:0 | — | — | — | — | — | — | — | — | — | — | — | — | RPA4<3:0> | | | | 0000 |
| FB20 | RPA8R ⁽¹⁾ | 31:16 | — | — | — | — | — | — | — | — | — | — | — | — | — | — | — | — | 0000 |
| | | 15:0 | — | — | — | — | — | — | — | — | — | — | — | — | RPA8<3:0> | | | | 0000 |
| FB24 | RPA9R ⁽¹⁾ | 31:16 | — | — | — | — | — | — | — | — | — | — | — | — | — | — | — | — | 0000 |
| | | 15:0 | — | — | — | — | — | — | — | — | — | — | — | — | RPA9<3:0> | | | | 0000 |
| FB2C | RPB0R | 31:16 | — | — | — | — | — | — | — | — | — | — | — | — | — | — | — | — | 0000 |
| | | 15:0 | — | — | — | — | — | — | — | — | — | — | — | — | RPB0<3:0> | | | | 0000 |
| FB30 | RPB1R | 31:16 | — | — | — | — | — | — | — | — | — | — | — | — | — | — | — | — | 0000 |
| | | 15:0 | — | — | — | — | — | — | — | — | — | — | — | — | RPB1<3:0> | | | | 0000 |
| FB34 | RPB2R | 31:16 | — | — | — | — | — | — | — | — | — | — | — | — | — | — | — | — | 0000 |
| | | 15:0 | — | — | — | — | — | — | — | — | — | — | — | — | RPB2<3:0> | | | | 0000 |
| FB38 | RPB3R | 31:16 | — | — | — | — | — | — | — | — | — | — | — | — | — | — | — | — | 0000 |
| | | 15:0 | — | — | — | — | — | — | — | — | — | — | — | — | RPB3<3:0> | | | | 0000 |
| FB3C | RPB4R | 31:16 | — | — | — | — | — | — | — | — | — | — | — | — | — | — | — | — | 0000 |
| | | 15:0 | — | — | — | — | — | — | — | — | — | — | — | — | RPB4<3:0> | | | | 0000 |
| FB40 | RPB5R | 31:16 | — | — | — | — | — | — | — | — | — | — | — | — | — | — | — | — | 0000 |
| | | 15:0 | — | — | — | — | — | — | — | — | — | — | — | — | RPB5<3:0> | | | | 0000 |
| FB44 | RPB6R ⁽²⁾ | 31:16 | — | — | — | — | — | — | — | — | — | — | — | — | — | — | — | — | 0000 |
| | | 15:0 | — | — | — | — | — | — | — | — | — | — | — | — | RPB6<3:0> | | | | 0000 |

Legend: x = unknown value on Reset; — = unimplemented, read as '0'. Reset values are shown in hexadecimal.

- Note**
- 1: This register is only available on 44-pin devices.
 - 2: This register is only available on USB devices.
 - 3: This register is only available on VBAT devices.

TABLE 12-7: PERIPHERAL PIN SELECT OUTPUT REGISTER MAP (CONTINUED)

| Virtual Address (BF80_#) | Register Name | Bit Range | Bits | | | | | | | | | | | | | | | | All Resets |
|-----------------------------|-----------------------|--------------|-------|-------|-------|-------|-------|-------|------|------|------|------|------|------|------------|------|------|------|---------------|
| | | | 31/15 | 30/14 | 29/13 | 28/12 | 27/11 | 26/10 | 25/9 | 24/8 | 23/7 | 22/6 | 21/5 | 20/4 | 19/3 | 18/2 | 17/1 | 16/0 | |
| FB48 | RPB7R | 31:16 | — | — | — | — | — | — | — | — | — | — | — | — | — | — | — | — | 0000 |
| | | 15:0 | — | — | — | — | — | — | — | — | — | — | — | — | RPB7<3:0> | | | | 0000 |
| FB4C | RPB8R | 31:16 | — | — | — | — | — | — | — | — | — | — | — | — | — | — | — | — | 0000 |
| | | 15:0 | — | — | — | — | — | — | — | — | — | — | — | — | RPB8<3:0> | | | | 0000 |
| FB50 | RPB9R | 31:16 | — | — | — | — | — | — | — | — | — | — | — | — | — | — | — | — | 0000 |
| | | 15:0 | — | — | — | — | — | — | — | — | — | — | — | — | RPB9<3:0> | | | | 0000 |
| FB54 | RPB10R | 31:16 | — | — | — | — | — | — | — | — | — | — | — | — | — | — | — | — | 0000 |
| | | 15:0 | — | — | — | — | — | — | — | — | — | — | — | — | RPB10<3:0> | | | | 0000 |
| FB58 | RPB11R | 31:16 | — | — | — | — | — | — | — | — | — | — | — | — | — | — | — | — | 0000 |
| | | 15:0 | — | — | — | — | — | — | — | — | — | — | — | — | RPB11<3:0> | | | | 0000 |
| FB60 | RPB13R ⁽³⁾ | 31:16 | — | — | — | — | — | — | — | — | — | — | — | — | — | — | — | — | 0000 |
| | | 15:0 | — | — | — | — | — | — | — | — | — | — | — | — | RPB13<3:0> | | | | 0000 |
| FB64 | RPB14R | 31:16 | — | — | — | — | — | — | — | — | — | — | — | — | — | — | — | — | 0000 |
| | | 15:0 | — | — | — | — | — | — | — | — | — | — | — | — | RPB14<3:0> | | | | 0000 |
| FB68 | RPB15R | 31:16 | — | — | — | — | — | — | — | — | — | — | — | — | — | — | — | — | 0000 |
| | | 15:0 | — | — | — | — | — | — | — | — | — | — | — | — | RPB15<3:0> | | | | 0000 |
| FB6C | RPC0R ⁽¹⁾ | 31:16 | — | — | — | — | — | — | — | — | — | — | — | — | — | — | — | — | 0000 |
| | | 15:0 | — | — | — | — | — | — | — | — | — | — | — | — | RPC0<3:0> | | | | 0000 |
| FB70 | RPC1R ⁽¹⁾ | 31:16 | — | — | — | — | — | — | — | — | — | — | — | — | — | — | — | — | 0000 |
| | | 15:0 | — | — | — | — | — | — | — | — | — | — | — | — | RPC1<3:0> | | | | 0000 |
| FB74 | RPC2R ⁽¹⁾ | 31:16 | — | — | — | — | — | — | — | — | — | — | — | — | — | — | — | — | 0000 |
| | | 15:0 | — | — | — | — | — | — | — | — | — | — | — | — | RPC2<3:0> | | | | 0000 |
| FB78 | RPC3R ⁽¹⁾ | 31:16 | — | — | — | — | — | — | — | — | — | — | — | — | — | — | — | — | 0000 |
| | | 15:0 | — | — | — | — | — | — | — | — | — | — | — | — | RPC3<3:0> | | | | 0000 |
| FB7C | RPC4R ⁽¹⁾ | 31:16 | — | — | — | — | — | — | — | — | — | — | — | — | — | — | — | — | 0000 |
| | | 15:0 | — | — | — | — | — | — | — | — | — | — | — | — | RPC4<3:0> | | | | 0000 |
| FB80 | RPC5R ⁽¹⁾ | 31:16 | — | — | — | — | — | — | — | — | — | — | — | — | — | — | — | — | 0000 |
| | | 15:0 | — | — | — | — | — | — | — | — | — | — | — | — | RPC5<3:0> | | | | 0000 |

Legend: x = unknown value on Reset; — = unimplemented, read as '0'. Reset values are shown in hexadecimal.

- Note** 1: This register is only available on 44-pin devices.
 2: This register is only available on USB devices.
 3: This register is only available on VBAT devices.

TABLE 12-7: PERIPHERAL PIN SELECT OUTPUT REGISTER MAP (CONTINUED)

| Virtual Address (BF80_#) | Register Name | Bit Range | Bits | | | | | | | | | | | | | | | All Resets | |
|-----------------------------|----------------------|--------------|-------|-------|-------|-------|-------|-------|------|------|------|------|------|------|-----------|------|------|---------------|------|
| | | | 31/15 | 30/14 | 29/13 | 28/12 | 27/11 | 26/10 | 25/9 | 24/8 | 23/7 | 22/6 | 21/5 | 20/4 | 19/3 | 18/2 | 17/1 | | 16/0 |
| FB84 | RPC6R ⁽¹⁾ | 31:16 | — | — | — | — | — | — | — | — | — | — | — | — | — | — | — | — | 0000 |
| | | 15:0 | — | — | — | — | — | — | — | — | — | — | — | — | RPC6<3:0> | | | 0000 | |
| FB88 | RPC7R ⁽¹⁾ | 31:16 | — | — | — | — | — | — | — | — | — | — | — | — | — | — | — | — | 0000 |
| | | 15:0 | — | — | — | — | — | — | — | — | — | — | — | — | RPC7<3:0> | | | 0000 | |
| FB8C | RPC8R ⁽¹⁾ | 31:16 | — | — | — | — | — | — | — | — | — | — | — | — | — | — | — | — | 0000 |
| | | 15:0 | — | — | — | — | — | — | — | — | — | — | — | — | RPC8<3:0> | | | 0000 | |
| FB90 | RPC9R ⁽¹⁾ | 31:16 | — | — | — | — | — | — | — | — | — | — | — | — | — | — | — | — | 0000 |
| | | 15:0 | — | — | — | — | — | — | — | — | — | — | — | — | RPC9<3:0> | | | 0000 | |

Legend: x = unknown value on Reset; — = unimplemented, read as '0'. Reset values are shown in hexadecimal.

- Note**
- 1: This register is only available on 44-pin devices.
 - 2: This register is only available on USB devices.
 - 3: This register is only available on VBAT devices.

PIC32MX1XX/2XX 28/44-PIN XLP FAMILY

REGISTER 12-1: [pin name]R: PERIPHERAL PIN SELECT INPUT REGISTER

| Bit Range | Bit 31/23/15/7 | Bit 30/22/14/6 | Bit 29/21/13/5 | Bit 28/20/12/4 | Bit 27/19/11/3 | Bit 26/18/10/2 | Bit 25/17/9/1 | Bit 24/16/8/0 |
|-----------|----------------|----------------|----------------|----------------|------------------|----------------|---------------|---------------|
| 31:24 | U-0 | U-0 | U-0 | U-0 | U-0 | U-0 | U-0 | U-0 |
| | — | — | — | — | — | — | — | — |
| 23:16 | U-0 | U-0 | U-0 | U-0 | U-0 | U-0 | U-0 | U-0 |
| | — | — | — | — | — | — | — | — |
| 15:8 | U-0 | U-0 | U-0 | U-0 | U-0 | U-0 | U-0 | U-0 |
| | — | — | — | — | — | — | — | — |
| 7:0 | U-0 | U-0 | U-0 | U-0 | R/W-0 | R/W-0 | R/W-0 | R/W-0 |
| | — | — | — | — | [pin name]R<3:0> | | | |

Legend:

R = Readable bit W = Writable bit U = Unimplemented bit, read as '0'
 -n = Value at POR '1' = Bit is set '0' = Bit is cleared x = Bit is unknown

bit 31-4 **Unimplemented:** Read as '0'

bit 3-0 **[pin name]R<3:0>**: Peripheral Pin Select Input bits

Where [pin name] refers to the pins that are used to configure peripheral input mapping. See [Table 12-1](#) for input pin selection values.

Note: Register values can only be changed if the Configuration bit, IOLOCK (CFGCON<13>), = 0.

REGISTER 12-2: RPnR: PERIPHERAL PIN SELECT OUTPUT REGISTER

| Bit Range | Bit 31/23/15/7 | Bit 30/22/14/6 | Bit 29/21/13/5 | Bit 28/20/12/4 | Bit 27/19/11/3 | Bit 26/18/10/2 | Bit 25/17/9/1 | Bit 24/16/8/0 |
|-----------|----------------|----------------|----------------|----------------|----------------|----------------|---------------|---------------|
| 31:24 | U-0 | U-0 | U-0 | U-0 | U-0 | U-0 | U-0 | U-0 |
| | — | — | — | — | — | — | — | — |
| 23:16 | U-0 | U-0 | U-0 | U-0 | U-0 | U-0 | U-0 | U-0 |
| | — | — | — | — | — | — | — | — |
| 15:8 | U-0 | U-0 | U-0 | U-0 | U-0 | U-0 | U-0 | U-0 |
| | — | — | — | — | — | — | — | — |
| 7:0 | U-0 | U-0 | U-0 | U-0 | R/W-0 | R/W-0 | R/W-0 | R/W-0 |
| | — | — | — | — | RPnR<3:0> | | | |

Legend:

R = Readable bit W = Writable bit U = Unimplemented bit, read as '0'
 -n = Value at POR '1' = Bit is set '0' = Bit is cleared x = Bit is unknown

bit 31-4 **Unimplemented:** Read as '0'

bit 3-0 **RPnR<3:0>**: Peripheral Pin Select Output bits

See [Table 12-2](#) for output pin selection values.

Note: Register values can only be changed if the Configuration bit, IOLOCK (CFGCON<13>), = 0.

PIC32MX1XX/2XX 28/44-PIN XLP FAMILY

REGISTER 12-3: CNCONx: CHANGE NOTICE CONTROL FOR PORTx REGISTER (x = A, B, C)

| Bit Range | Bit 31/23/15/7 | Bit 30/22/14/6 | Bit 29/21/13/5 | Bit 28/20/12/4 | Bit 27/19/11/3 | Bit 26/18/10/2 | Bit 25/17/9/1 | Bit 24/16/8/0 |
|-----------|----------------|----------------|----------------|----------------|----------------|----------------|---------------|---------------|
| 31:24 | U-0 | U-0 | U-0 | U-0 | U-0 | U-0 | U-0 | U-0 |
| | — | — | — | — | — | — | — | — |
| 23:16 | U-0 | U-0 | U-0 | U-0 | U-0 | U-0 | U-0 | U-0 |
| | — | — | — | — | — | — | — | — |
| 15:8 | R/W-0 | U-0 | R/W-0 | U-0 | U-0 | U-0 | U-0 | U-0 |
| | ON | — | SIDL | — | — | — | — | — |
| 7:0 | U-0 | U-0 | U-0 | U-0 | U-0 | U-0 | U-0 | U-0 |
| | — | — | — | — | — | — | — | — |

Legend:

R = Readable bit W = Writable bit U = Unimplemented bit, read as '0'
 -n = Value at POR '1' = Bit is set '0' = Bit is cleared x = Bit is unknown

- bit 31-16 **Unimplemented:** Read as '0'
- bit 15 **ON:** Change Notice (CN) Control ON bit
 - 1 = CN is enabled
 - 0 = CN is disabled
- bit 14 **Unimplemented:** Read as '0'
- bit 13 **SIDL:** Stop in Idle Control bit
 - 1 = Idle mode halts CN operation
 - 0 = Idle does not affect CN operation
- bit 12-0 **Unimplemented:** Read as '0'

PIC32MX1XX/2XX 28/44-PIN XLP FAMILY

13.0 TIMER1

Note: This data sheet summarizes the features of the PIC32MX1XX/2XX 28/44-pin XLP Family of devices. It is not intended to be a comprehensive reference source. To complement the information in this data sheet, refer to **Section 14. “Timers”** (DS60001105), which is available from the *Documentation > Reference Manual* section of the Microchip PIC32 web site (www.microchip.com/pic32).

This family of PIC32 devices features one synchronous/asynchronous 16-bit timer that can operate as a free-running interval timer for various timing applications and counting external events. This timer can also be used with the Low-Power Secondary Oscillator (Sosc) for Real-Time Clock (RTC) applications.

The following modes are supported:

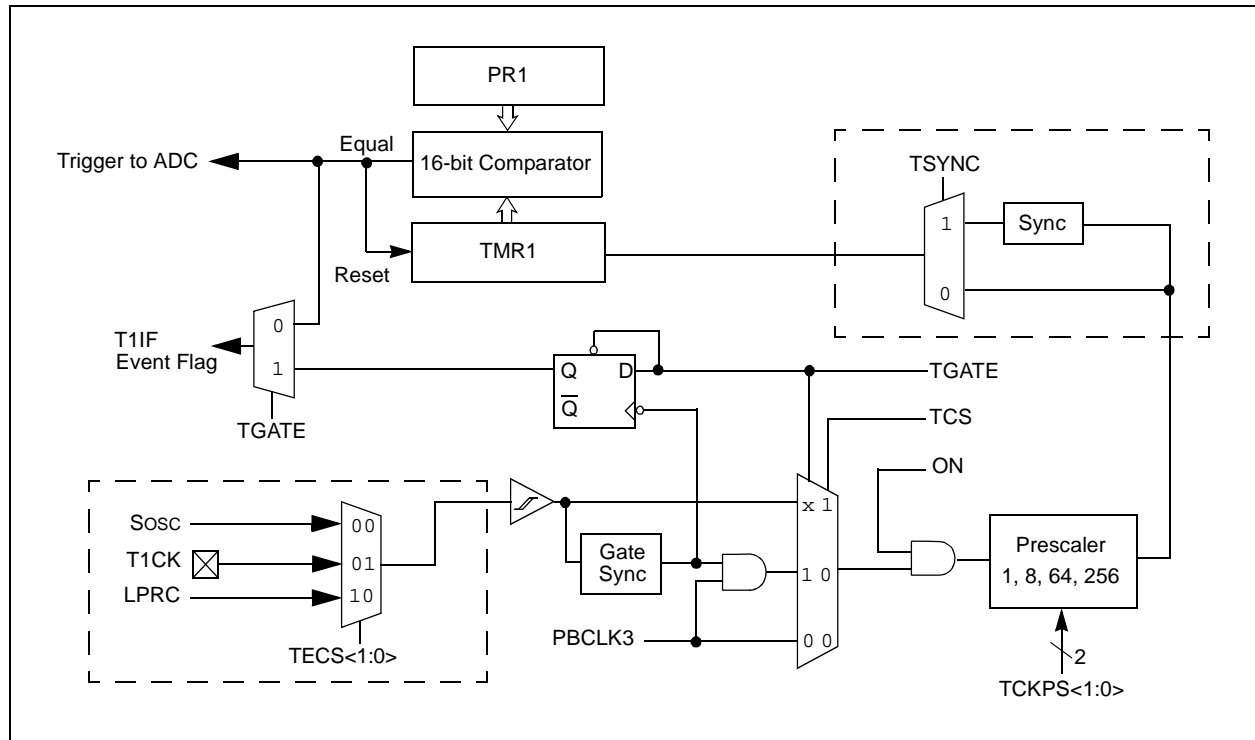
- Synchronous Internal Timer
- Synchronous Internal Gated Timer
- Synchronous External Timer
- Asynchronous External Timer

13.1 Additional Supported Features

- Selectable clock prescaler
- Timer operation during CPU Idle and Sleep mode
- Fast bit manipulation using CLR, SET and INV registers
- Asynchronous mode can be used with the Sosc to function as a Real-Time Clock (RTC)

Figure 13-1 illustrates a general block diagram of Timer1.

FIGURE 13-1: TIMER1 BLOCK DIAGRAM



13.2 Timer1 Control Registers

TABLE 13-1: TIMER1 REGISTER MAP

| Virtual Address (BF80_#) | Register Name(1) | Bit Range | Bits | | | | | | | | | | | | | | | All Resets |
|--------------------------|------------------|-----------|------------|-------|-------|-------|-------|-------|-----------|-------|------|------------|------|-------|------|------|------|------------|
| | | | 31/15 | 30/14 | 29/13 | 28/12 | 27/11 | 26/10 | 25/9 | 24/8 | 23/7 | 22/6 | 21/5 | 20/4 | 19/3 | 18/2 | 17/1 | |
| 0600 | T1CON | 31:16 | — | — | — | — | — | — | — | — | — | — | — | — | — | — | — | 0000 |
| | | 15:0 | ON | — | SIDL | TWDIS | TWIP | — | TECS<1:0> | TGATE | — | TCKPS<1:0> | — | TSYNC | TCS | — | — | 0000 |
| 0610 | TMR1 | 31:16 | — | — | — | — | — | — | — | — | — | — | — | — | — | — | — | 0000 |
| | | 15:0 | TMR1<15:0> | | | | | | | | | | | | | | | 0000 |
| 0620 | PR1 | 31:16 | — | — | — | — | — | — | — | — | — | — | — | — | — | — | — | 0000 |
| | | 15:0 | PR1<15:0> | | | | | | | | | | | | | | | FFFF |

Legend: x = unknown value on Reset; — = unimplemented, read as '0'. Reset values are shown in hexadecimal.

Note 1: All registers in this table have corresponding CLR, SET and INV registers at their virtual addresses, plus offsets of 0x4, 0x8 and 0xC, respectively. See 12.2 "CLR, SET and INV Registers" for more information.

PIC32MX1XX/2XX 28/44-PIN XLP FAMILY

REGISTER 13-1: T1CON: TYPE A TIMER CONTROL REGISTER

| Bit Range | Bit 31/23/15/7 | Bit 30/22/14/6 | Bit 29/21/13/5 | Bit 28/20/12/4 | Bit 27/19/11/3 | Bit 26/18/10/2 | Bit 25/17/9/1 | Bit 24/16/8/0 |
|-----------|-------------------|----------------|----------------|----------------|----------------|----------------|---------------|---------------|
| 31:24 | U-0 | U-0 | U-0 | U-0 | U-0 | U-0 | U-0 | U-0 |
| | — | — | — | — | — | — | — | — |
| 23:16 | U-0 | U-0 | U-0 | U-0 | U-0 | U-0 | U-0 | U-0 |
| | — | — | — | — | — | — | — | — |
| 15:8 | R/W-0 | U-0 | R/W-0 | R/W-0 | R-0 | U-0 | R/W-0 | R/W-0 |
| | ON ⁽¹⁾ | — | SIDL | TWDIS | TWIP | — | TECS<1:0> | |
| 7:0 | R/W-0 | U-0 | R/W-0 | R/W-0 | U-0 | R/W-0 | R/W-0 | U-0 |
| | TGATE | — | TCKPS<1:0> | | — | TSYNC | TCS | — |

Legend:

R = Readable bit W = Writable bit U = Unimplemented bit, read as '0'
 -n = Value at POR '1' = Bit is set '0' = Bit is cleared x = Bit is unknown

bit 31-16 **Unimplemented:** Read as '0'

bit 15 **ON:** Timer On bit⁽¹⁾
 1 = Timer is enabled
 0 = Timer is disabled

bit 14 **Unimplemented:** Read as '0'

bit 13 **SIDL:** Stop in Idle Mode bit
 1 = Discontinue module operation when the device enters Idle mode
 0 = Continue module operation when the device enters Idle mode

bit 12 **TWDIS:** Asynchronous Timer Write Disable bit
 1 = Writes to Timer1 are ignored until pending write operation completes
 0 = Back-to-back writes are enabled (Legacy Asynchronous Timer functionality)

bit 11 **TWIP:** Asynchronous Timer Write in Progress bit
In Asynchronous Timer mode:
 1 = Asynchronous write to the Timer1 register in progress
 0 = Asynchronous write to Timer1 register is complete
In Synchronous Timer mode:
 This bit is read as '0'.

bit 10 **Unimplemented:** Read as '0'

bit 9-8 **TECS<1:0>:** Timer1 External Clock Selection bits
 11 = Reserved
 10 = External clock comes from the LPRC
 01 = External clock comes from the T1CK pin
 00 = External clock comes from the SOSC

bit 7 **TGATE:** Timer Gated Time Accumulation Enable bit
When TCS = 1:
 This bit is ignored.
When TCS = 0:
 1 = Gated time accumulation is enabled
 0 = Gated time accumulation is disabled

bit 6 **Unimplemented:** Read as '0'

Note 1: When using 1:1 PBCLK divisor, the user's software should not read/write the peripheral SFRs in the SYSCLK cycle immediately following the instruction that clears the module's ON bit.

PIC32MX1XX/2XX 28/44-PIN XLP FAMILY

REGISTER 13-1: T1CON: TYPE A TIMER CONTROL REGISTER (CONTINUED)

- bit 5-4 **TCKPS<1:0>**: Timer Input Clock Prescale Select bits
11 = 1:256 prescale value
10 = 1:64 prescale value
01 = 1:8 prescale value
00 = 1:1 prescale value
- bit 3 **Unimplemented**: Read as '0'
- bit 2 **TSYNC**: Timer External Clock Input Synchronization Selection bit
When TCS = 1:
1 = External clock input is synchronized
0 = External clock input is not synchronized
When TCS = 0:
This bit is ignored.
- bit 1 **TCS**: Timer Clock Source Select bit
1 = External clock is defined by the TECS<1:0> bits
0 = Internal peripheral clock
- bit 0 **Unimplemented**: Read as '0'

Note 1: When using 1:1 PBCLK divisor, the user's software should not read/write the peripheral SFRs in the SYSCLK cycle immediately following the instruction that clears the module's ON bit.

PIC32MX1XX/2XX 28/44-PIN XLP FAMILY

14.0 TIMER2/3, TIMER4/5

Note: This data sheet summarizes the features of the PIC32MX1XX/2XX 28/44-pin XLP Family of devices. It is not intended to be a comprehensive reference source. To complement the information in this data sheet, refer to **Section 14. “Timers”** (DS60001105), which is available from the *Documentation > Reference Manual* section of the Microchip PIC32 web site (www.microchip.com/pic32).

This family of PIC32 devices features four synchronous 16-bit timers (default) that can operate as a free-running interval timer for various timing applications and counting external events. The following modes are supported:

- Synchronous internal 16-bit timer
- Synchronous internal 16-bit gated timer
- Synchronous external 16-bit timer

Two 32-bit synchronous timers are available by combining Timer2 with Timer3 and Timer4 with Timer5. The 32-bit timers can operate in three modes:

- Synchronous internal 32-bit timer
- Synchronous internal 32-bit gated timer
- Synchronous external 32-bit timer

Note: In this chapter, references to registers, TxCON, TMRx and PRx, use ‘x’ to represent Timer2 through Timer5 in 16-bit modes. In 32-bit modes, ‘x’ represents Timer2 or Timer4 and ‘y’ represents Timer3 or Timer5.

14.1 Additional Supported Features

- Selectable clock prescaler
- Timers operational during CPU idle
- Time base for Input Capture and Output Compare modules (Timer2 and Timer3 only)
- ADC event trigger (Timer3 in 16-bit mode, Timer2/3 in 32-bit mode)
- Fast bit manipulation using CLR, SET and INV registers

Figure 14-1 and Figure 14-2 illustrate block diagrams of Timer2/3 and Timer4/5.

FIGURE 14-1: TIMER2-TIMER5 BLOCK DIAGRAM (16-BIT)



PIC32MX1XX/2XX 28/44-PIN XLP FAMILY

FIGURE 14-2: TIMER2/3, TIMER4/5 BLOCK DIAGRAM (32-BIT)



14.2 Timer Control Registers

TABLE 14-1: TIMER2-TIMER5 REGISTER MAP

| Virtual Address (BF80..#) | Register Name(1) | Bit Range | Bits | | | | | | | | | | | | | | | All Resets | |
|------------------------------|---------------------|-----------|------------|-------|-------|-------|-------|-------|------|------|-------|------------|------|------|------|------|------|------------|------|
| | | | 31/15 | 30/14 | 29/13 | 28/12 | 27/11 | 26/10 | 25/9 | 24/8 | 23/7 | 22/6 | 21/5 | 20/4 | 19/3 | 18/2 | 17/1 | | 16/0 |
| 0800 | T2CON | 31:16 | — | — | — | — | — | — | — | — | — | — | — | — | — | — | — | — | 0000 |
| | | 15:0 | ON | — | SIDL | — | — | — | — | — | TGATE | TCKPS<2:0> | | | — | T32 | — | TCS | — |
| 0810 | TMR2 | 31:16 | — | — | — | — | — | — | — | — | — | — | — | — | — | — | — | — | 0000 |
| | | 15:0 | TMR2<15:0> | | | | | | | | | | | | | | | 0000 | |
| 0820 | PR2 | 31:16 | — | — | — | — | — | — | — | — | — | — | — | — | — | — | — | — | 0000 |
| | | 15:0 | PR2<15:0> | | | | | | | | | | | | | | | FFFF | |
| 0A00 | T3CON | 31:16 | — | — | — | — | — | — | — | — | — | — | — | — | — | — | — | — | 0000 |
| | | 15:0 | ON | — | SIDL | — | — | — | — | — | TGATE | TCKPS<2:0> | | | — | — | TCS | — | 0000 |
| 0A10 | TMR3 | 31:16 | — | — | — | — | — | — | — | — | — | — | — | — | — | — | — | — | 0000 |
| | | 15:0 | TMR3<15:0> | | | | | | | | | | | | | | | 0000 | |
| 0A20 | PR3 | 31:16 | — | — | — | — | — | — | — | — | — | — | — | — | — | — | — | — | 0000 |
| | | 15:0 | PR3<15:0> | | | | | | | | | | | | | | | FFFF | |
| 0C00 | T4CON | 31:16 | — | — | — | — | — | — | — | — | — | — | — | — | — | — | — | — | 0000 |
| | | 15:0 | ON | — | SIDL | — | — | — | — | — | TGATE | TCKPS<2:0> | | | — | T32 | — | TCS | — |
| 0C10 | TMR4 | 31:16 | — | — | — | — | — | — | — | — | — | — | — | — | — | — | — | — | 0000 |
| | | 15:0 | TMR4<15:0> | | | | | | | | | | | | | | | 0000 | |
| 0C20 | PR4 | 31:16 | — | — | — | — | — | — | — | — | — | — | — | — | — | — | — | — | 0000 |
| | | 15:0 | PR4<15:0> | | | | | | | | | | | | | | | FFFF | |
| 0E00 | T5CON | 31:16 | — | — | — | — | — | — | — | — | — | — | — | — | — | — | — | — | 0000 |
| | | 15:0 | ON | — | SIDL | — | — | — | — | — | TGATE | TCKPS<2:0> | | | — | — | TCS | — | 0000 |
| 0E10 | TMR5 | 31:16 | — | — | — | — | — | — | — | — | — | — | — | — | — | — | — | — | 0000 |
| | | 15:0 | TMR5<15:0> | | | | | | | | | | | | | | | 0000 | |
| 0E20 | PR5 | 31:16 | — | — | — | — | — | — | — | — | — | — | — | — | — | — | — | — | 0000 |
| | | 15:0 | PR5<15:0> | | | | | | | | | | | | | | | FFFF | |

Legend: x = unknown value on Reset; — = unimplemented, read as '0'. Reset values are shown in hexadecimal.

Note 1: All registers in this table have corresponding CLR, SET and INV registers at their virtual addresses, plus offsets of 0x4, 0x8 and 0xC, respectively. See [12.2 "CLR, SET and INV Registers"](#) for more information.

PIC32MX1XX/2XX 28/44-PIN XLP FAMILY

REGISTER 14-1: TXCON: TYPE B TIMER CONTROL REGISTER

| Bit Range | Bit 31/23/15/7 | Bit 30/22/14/6 | Bit 29/21/13/5 | Bit 28/20/12/4 | Bit 27/19/11/3 | Bit 26/18/10/2 | Bit 25/17/9/1 | Bit 24/16/8/0 |
|-----------|-------------------------------|---------------------------|------------------------------|----------------|--------------------|----------------|--------------------|---------------|
| 31:24 | U-0 — | U-0 — | U-0 — | U-0 — | U-0 — | U-0 — | U-0 — | U-0 — |
| 23:16 | U-0 — | U-0 — | U-0 — | U-0 — | U-0 — | U-0 — | U-0 — | U-0 — |
| 15:8 | R/W-0 ON ^(1,3) | U-0 — | R/W-0 SIDL ⁽⁴⁾ | U-0 — | U-0 — | U-0 — | U-0 — | U-0 — |
| 7:0 | R/W-0 TGATE ⁽³⁾ | R/W-0 | R/W-0 | R/W-0 | R/W-0 | U-0 | R/W-0 | U-0 |
| | | TCKPS<2:0> ⁽³⁾ | | | T32 ⁽²⁾ | — | TCS ⁽³⁾ | — |

Legend:

| | | |
|-------------------|------------------|--|
| R = Readable bit | W = Writable bit | U = Unimplemented bit, read as '0' |
| -n = Value at POR | '1' = Bit is set | '0' = Bit is cleared x = Bit is unknown |

bit 31-16 **Unimplemented:** Read as '0'

bit 15 **ON:** Timer On bit^(1,3)
 1 = Module is enabled
 0 = Module is disabled

bit 14 **Unimplemented:** Read as '0'

bit 13 **SIDL:** Stop in Idle Mode bit⁽⁴⁾
 1 = Discontinue module operation when the device enters Idle mode
 0 = Continue module operation when the device enters Idle mode

bit 12-8 **Unimplemented:** Read as '0'

bit 7 **TGATE:** Timer Gated Time Accumulation Enable bit⁽³⁾
When TCS = 1:
 This bit is ignored and is read as '0'.
When TCS = 0:
 1 = Gated time accumulation is enabled
 0 = Gated time accumulation is disabled

bit 6-4 **TCKPS<2:0>:** Timer Input Clock Prescale Select bits⁽³⁾
 111 = 1:256 prescale value
 110 = 1:64 prescale value
 101 = 1:32 prescale value
 100 = 1:16 prescale value
 011 = 1:8 prescale value
 010 = 1:4 prescale value
 001 = 1:2 prescale value
 000 = 1:1 prescale value

- Note 1:** When using 1:1 PBCLK divisor, the user's software should not read/write the peripheral SFRs in the SYSCLK cycle immediately following the instruction that clears the module's ON bit.
- 2:** This bit is available only on even numbered timers (Timer2 and Timer4).
- 3:** While operating in 32-bit mode, this bit has no effect for odd numbered timers (Timer3, and Timer5). All timer functions are set through the even numbered timers.
- 4:** While operating in 32-bit mode, this bit must be cleared on odd numbered timers to enable the 32-bit timer in Idle mode.

PIC32MX1XX/2XX 28/44-PIN XLP FAMILY

REGISTER 14-1: TXCON: TYPE B TIMER CONTROL REGISTER (CONTINUED)

- bit 3 **T32:** 32-Bit Timer Mode Select bit⁽²⁾
1 = Odd numbered and even numbered timers form a 32-bit timer
0 = Odd numbered and even numbered timers form a separate 16-bit timer
- bit 2 **Unimplemented:** Read as '0'
- bit 1 **TCS:** Timer Clock Source Select bit⁽³⁾
1 = External clock from TxCK pin
0 = Internal peripheral clock
- bit 0 **Unimplemented:** Read as '0'

- Note 1:** When using 1:1 PBCLK divisor, the user's software should not read/write the peripheral SFRs in the SYSCLK cycle immediately following the instruction that clears the module's ON bit.
- 2:** This bit is available only on even numbered timers (Timer2 and Timer4).
- 3:** While operating in 32-bit mode, this bit has no effect for odd numbered timers (Timer3, and Timer5). All timer functions are set through the even numbered timers.
- 4:** While operating in 32-bit mode, this bit must be cleared on odd numbered timers to enable the 32-bit timer in Idle mode.

PIC32MX1XX/2XX 28/44-PIN XLP FAMILY

NOTES:

PIC32MX1XX/2XX 28/44-PIN XLP FAMILY

15.0 WATCHDOG TIMER (WDT)

Note: This data sheet summarizes the features of the PIC32MX1XX/2XX 28/44-pin XLP Family family of devices. It is not intended to be a comprehensive reference source. To complement the information in this data sheet, refer to **Section 9. “Watchdog, Deadman, and Power-up Timers”** (DS60001114), which is available from the *Documentation > Reference Manual* section of the Microchip PIC32 web site (www.microchip.com/pic32).

When enabled, the Watchdog Timer (WDT) operates from the internal Low-Power Oscillator (LPRC) clock source and can be used to detect system software malfunctions by resetting the device if the WDT is not cleared periodically in software. Various WDT time-out periods can be selected using the WDT postscaler. The WDT can also be used to wake the device from Sleep or Idle mode.

The following are key features of the WDT module:

- Configuration or software controlled
- User-configurable time-out period
- Can wake up the device from Sleep or Idle mode

FIGURE 15-1: WATCHDOG TIMER BLOCK DIAGRAM



15.1 Watchdog Timer Control Registers

TABLE 15-1: WATCHDOG TIMER REGISTER MAP

| Virtual Address (BF80_#) | Register Name | Bit Range | Bits | | | | | | | | | | | | | | | All Resets |
|--------------------------|-----------------------|-----------|-----------------|-------|-------|-------------|-------|-------|------|------|------|------|------|------|------|------|------|------------|
| | | | 31/15 | 30/14 | 29/13 | 28/12 | 27/11 | 26/10 | 25/9 | 24/8 | 23/7 | 22/6 | 21/5 | 20/4 | 19/3 | 18/2 | 17/1 | |
| F600 | WDTCON ⁽¹⁾ | 31:16 | WDTCLRKEY<15:0> | | | | | | | | | | | | | | | 0000 |
| | | 15:0 | ON | — | — | RUNDIV<4:0> | | | | — | — | — | — | — | — | — | — | WDTWINEN |

Legend: x = unknown value on Reset; — = unimplemented, read as '0'. Reset values are shown in hexadecimal.

Note 1: This register has corresponding CLR, SET and INV registers at its virtual address, plus an offset of 0x4, 0x8 and 0xC, respectively. See 12.2 “CLR, SET and INV Registers” for more information.

PIC32MX1XX/2XX 28/44-PIN XLP FAMILY

REGISTER 15-1: WDTCON: WATCHDOG TIMER CONTROL REGISTER

| Bit Range | Bit 31/23/15/7 | Bit 30/22/14/6 | Bit 29/21/13/5 | Bit 28/20/12/4 | Bit 27/19/11/3 | Bit 26/18/10/2 | Bit 25/17/9/1 | Bit 24/16/8/0 |
|-------------------------------|----------------|----------------|----------------|----------------|----------------|----------------|---------------|---------------|
| 31:24 | W-0 | W-0 | W-0 | W-0 | W-0 | W-0 | W-0 | W-0 |
| WDTCLRKEY<15:8> | | | | | | | | |
| 23:16 | W-0 | W-0 | W-0 | W-0 | W-0 | W-0 | W-0 | W-0 |
| WDTCLRKEY<7:0> | | | | | | | | |
| 15:8 | R/W-0 | U-0 | U-0 | R-y | R-y | R-y | R-y | R-y |
| ON ⁽¹⁾ RUNDIV<4:0> | | | | | | | | |
| 7:0 | U-0 | U-0 | U-0 | U-0 | U-0 | U-0 | U-0 | R/W-0 |
| | | | | | | | | WDTWINEN |

Legend:

| | | |
|-------------------|------------------|------------------------------------|
| R = Readable bit | W = Writable bit | U = Unimplemented bit, read as '0' |
| -n = Value at POR | '1' = Bit is set | '0' = Bit is cleared |
| | | x = Bit is unknown |

bit 31-16 **WDTCLRKEY<15:0>**: Watchdog Timer Clear Key bits

To clear the Watchdog Timer to prevent a time-out, software must write the value 0x5743 to these bits using a single 16-bit write.

bit 15 **ON**: Watchdog Timer Enable bit⁽¹⁾

1 = The Watchdog Timer module is enabled
0 = The Watchdog Timer module is disabled

bit 14-13 **Unimplemented**: Read as '0'

bit 12-8 **RUNDIV<4:0>**: Watchdog Timer Postscaler Value in Run Mode bits

In Run mode, these bits are set to the values of the WDTPS<4:0> Configuration bits in DEVCFG1.

bit 7-1 **Unimplemented**: Read as '0'

bit 0 **WDTWINEN**: Watchdog Timer Window Enable bit

1 = Enable windowed Watchdog Timer
0 = Disable windowed Watchdog Timer

Note 1: This bit only has control when FWDTEN (DEVCFG1<23>) = 0.

PIC32MX1XX/2XX 28/44-PIN XLP FAMILY

NOTES:

PIC32MX1XX/2XX 28/44-PIN XLP FAMILY

16.0 DEEP SLEEP WATCHDOG TIMER (DSWDT)

Note: This data sheet summarizes the features of the PIC32MX1XX/2XX 28/44-pin XLP Family family of devices. It is not intended to be a comprehensive reference source. To complement the information in this data sheet, refer to **Section 9. “Watchdog, Deadman, and Power-up Timers”** (DS60001114), which is available from the *Documentation > Reference Manual* section of the Microchip PIC32 web site (www.microchip.com/pic32).

The Deep Sleep Watchdog Timer (DSWDT) is a dedicated Watchdog Timer for Deep Sleep mode operations of the device. The DSWDT is very useful in battery-powered applications and in low-power modes of operations.

The primary function of the DSWDT is to automatically exit Deep Sleep mode after a prescribed amount of time has elapsed.

The DSWDT is controlled through the DEVCFG2 Configuration register at boot time (one-time programmable per POR). When enabled through the DSWDTEN bit in DEVCFG2, the DSWDT operates either from the internal Low-Power RC (LPRC) clock or from the Secondary Oscillator (Sosc). The clock selection for the DSWDT is done through the DSWDTOSC bit in the DEVCFG2 register.

FIGURE 16-1: DEEP SLEEP WATCHDOG TIMER BLOCK DIAGRAM



PIC32MX1XX/2XX 28/44-PIN XLP FAMILY

NOTES:

PIC32MX1XX/2XX 28/44-PIN XLP FAMILY

17.0 INPUT CAPTURE

Note: This data sheet summarizes the features of the PIC32MX1XX/2XX 28/44-pin XLP Family of devices. It is not intended to be a comprehensive reference source. To complement the information in this data sheet, refer to **Section 15. “Input Capture”** (DS60001122), which is available from the *Documentation > Reference Manual* section of the Microchip PIC32 web site (www.microchip.com/pic32).

The Input Capture module is useful in applications requiring frequency (period) and pulse measurement.

The Input Capture module captures the 16-bit or 32-bit value of the selected Time Base registers when an event occurs at the ICx pin. The following events cause capture events:

- Simple capture event modes:
 - Capture timer value on every rising and falling edge of input at ICx pin
 - Capture timer value on every edge (rising and falling)
 - Capture timer value on every edge (rising and falling), specified edge first.

- Prescaler capture event modes:
 - Capture timer value on every 4th rising edge of input at ICx pin
 - Capture timer value on every 16th rising edge of input at ICx pin

Each input capture channel can select between one of two 16-bit timers (Timer2 or Timer3) for the time base, or two 16-bit timers (Timer2 and Timer3) together to form a 32-bit timer. The selected timer can use either an internal or external clock.

Other operational features include:

- Device wake-up from capture pin during Sleep and Idle modes
- Interrupt on input capture event
- 4-word FIFO buffer for capture values (interrupt optionally generated after 1, 2, 3, or 4 buffer locations are filled)
- Input capture can also be used to provide additional sources of external interrupts

Figure 17-1 illustrates a general block diagram of the Input Capture module.

FIGURE 17-1: INPUT CAPTURE BLOCK DIAGRAM



17.1 Input Capture Control Registers

TABLE 17-1: INPUT CAPTURE 1-INPUT CAPTURE 5 REGISTER MAP

| Virtual Address (BF80.#) | Register Name | Bit Range | Bits | | | | | | | | | | | | | | | All Resets | |
|--------------------------|-----------------------|-----------|--------------|-------|-------|-------|-------|-------|-------|------|-------|----------|------|-------|----------|------|------|------------|------|
| | | | 31/15 | 30/14 | 29/13 | 28/12 | 27/11 | 26/10 | 25/9 | 24/8 | 23/7 | 22/6 | 21/5 | 20/4 | 19/3 | 18/2 | 17/1 | | 16/0 |
| 2000 | IC1CON ⁽¹⁾ | 31:16 | — | — | — | — | — | — | — | — | — | — | — | — | — | — | — | — | 0000 |
| | | 15:0 | ON | — | SIDL | — | — | — | FEDGE | C32 | ICTMR | ICI<1:0> | ICOV | ICBNE | ICM<2:0> | 0000 | | | |
| 2010 | IC1BUF | 31:16 | IC1BUF<31:0> | | | | | | | | | | | | | | | xxxx | |
| | | 15:0 | | | | | | | | | | | | | | | | xxxx | |
| 2200 | IC2CON ⁽¹⁾ | 31:16 | — | — | — | — | — | — | — | — | — | — | — | — | — | — | — | — | 0000 |
| | | 15:0 | ON | — | SIDL | — | — | — | FEDGE | C32 | ICTMR | ICI<1:0> | ICOV | ICBNE | ICM<2:0> | 0000 | | | |
| 2210 | IC2BUF | 31:16 | IC2BUF<31:0> | | | | | | | | | | | | | | | xxxx | |
| | | 15:0 | | | | | | | | | | | | | | | | xxxx | |
| 2400 | IC3CON ⁽¹⁾ | 31:16 | — | — | — | — | — | — | — | — | — | — | — | — | — | — | — | — | 0000 |
| | | 15:0 | ON | — | SIDL | — | — | — | FEDGE | C32 | ICTMR | ICI<1:0> | ICOV | ICBNE | ICM<2:0> | 0000 | | | |
| 2410 | IC3BUF | 31:16 | IC3BUF<31:0> | | | | | | | | | | | | | | | xxxx | |
| | | 15:0 | | | | | | | | | | | | | | | | xxxx | |
| 2600 | IC4CON ⁽¹⁾ | 31:16 | — | — | — | — | — | — | — | — | — | — | — | — | — | — | — | — | 0000 |
| | | 15:0 | ON | — | SIDL | — | — | — | FEDGE | C32 | ICTMR | ICI<1:0> | ICOV | ICBNE | ICM<2:0> | 0000 | | | |
| 2610 | IC4BUF | 31:16 | IC4BUF<31:0> | | | | | | | | | | | | | | | xxxx | |
| | | 15:0 | | | | | | | | | | | | | | | | xxxx | |
| 2800 | IC5CON ⁽¹⁾ | 31:16 | — | — | — | — | — | — | — | — | — | — | — | — | — | — | — | — | 0000 |
| | | 15:0 | ON | — | SIDL | — | — | — | FEDGE | C32 | ICTMR | ICI<1:0> | ICOV | ICBNE | ICM<2:0> | 0000 | | | |
| 2810 | IC5BUF | 31:16 | IC5BUF<31:0> | | | | | | | | | | | | | | | xxxx | |
| | | 15:0 | | | | | | | | | | | | | | | | xxxx | |

Legend: x = unknown value on Reset; — = unimplemented, read as '0'. Reset values are shown in hexadecimal.

Note 1: This register has corresponding CLR, SET and INV registers at its virtual address, plus an offset of 0x4, 0x8 and 0xC, respectively. See [12.2 "CLR, SET and INV Registers"](#) for more information.

PIC32MX1XX/2XX 28/44-PIN XLP FAMILY

REGISTER 17-1: ICxCON: INPUT CAPTURE 'x' CONTROL REGISTER

| Bit Range | Bit 31/23/15/7 | Bit 30/22/14/6 | Bit 29/21/13/5 | Bit 28/20/12/4 | Bit 27/19/11/3 | Bit 26/18/10/2 | Bit 25/17/9/1 | Bit 24/16/8/0 |
|-----------|-------------------|----------------|----------------|----------------|----------------|----------------|---------------|---------------|
| 31:24 | U-0 | U-0 | U-0 | U-0 | U-0 | U-0 | U-0 | U-0 |
| | — | — | — | — | — | — | — | — |
| 23:16 | U-0 | U-0 | U-0 | U-0 | U-0 | U-0 | U-0 | U-0 |
| | — | — | — | — | — | — | — | — |
| 15:8 | R/W-0 | U-0 | R/W-0 | U-0 | U-0 | U-0 | R/W-0 | R/W-0 |
| | ON ⁽¹⁾ | — | SIDL | — | — | — | FEDGE | C32 |
| 7:0 | R/W-0 | R/W-0 | R/W-0 | R-0 | R-0 | R/W-0 | R/W-0 | R/W-0 |
| | ICTMR | ICI<1:0> | | ICOV | ICBNE | ICM<2:0> | | |

Legend:

R = Readable bit

W = Writable bit

U = Unimplemented bit

-n = Bit Value at POR: ('0', '1', x = unknown)

P = Programmable bit r = Reserved bit

bit 31-16 **Unimplemented:** Read as '0'

bit 15 **ON:** Input Capture Module Enable bit⁽¹⁾

1 = Module is enabled

0 = Disable and reset module, disable clocks, disable interrupt generation and allow SFR modifications

bit 14 **Unimplemented:** Read as '0'

bit 13 **SIDL:** Stop in Idle Control bit

1 = Halt in Idle mode

0 = Continue to operate in Idle mode

bit 12-10 **Unimplemented:** Read as '0'

bit 9 **FEDGE:** First Capture Edge Select bit (only used in mode 6, ICM<2:0> = 110)

1 = Capture rising edge first

0 = Capture falling edge first

bit 8 **C32:** 32-bit Capture Select bit

1 = 32-bit timer resource capture

0 = 16-bit timer resource capture

bit 7 **ICTMR:** Timer Select bit (Does not affect timer selection when C32 (ICxCON<8>) is '1')

0 = Timer3 is the counter source for capture

1 = Timer2 is the counter source for capture

bit 6-5 **ICI<1:0>:** Interrupt Control bits

11 = Interrupt on every fourth capture event

10 = Interrupt on every third capture event

01 = Interrupt on every second capture event

00 = Interrupt on every capture event

bit 4 **ICOV:** Input Capture Overflow Status Flag bit (read-only)

1 = Input capture overflow has occurred

0 = No input capture overflow has occurred

bit 3 **ICBNE:** Input Capture Buffer Not Empty Status bit (read-only)

1 = Input capture buffer is not empty; at least one more capture value can be read

0 = Input capture buffer is empty

Note 1: When using 1:1 PBCLK divisor, the user's software should not read/write the peripheral's SFRs in the SYSCLK cycle immediately following the instruction that clears the module's ON bit.

PIC32MX1XX/2XX 28/44-PIN XLP FAMILY

REGISTER 17-1: ICxCON: INPUT CAPTURE 'x' CONTROL REGISTER (CONTINUED)

bit 2-0 **ICM<2:0>**: Input Capture Mode Select bits

- 111 = Interrupt-Only mode (only supported while in Sleep mode or Idle mode)
- 110 = Simple Capture Event mode – every edge, specified edge first and every edge thereafter
- 101 = Prescaled Capture Event mode – every sixteenth rising edge
- 100 = Prescaled Capture Event mode – every fourth rising edge
- 011 = Simple Capture Event mode – every rising edge
- 010 = Simple Capture Event mode – every falling edge
- 001 = Edge Detect mode – every edge (rising and falling)
- 000 = Input Capture module is disabled

Note 1: When using 1:1 PBCLK divisor, the user's software should not read/write the peripheral's SFRs in the SYSCLK cycle immediately following the instruction that clears the module's ON bit.

PIC32MX1XX/2XX 28/44-PIN XLP FAMILY

18.0 OUTPUT COMPARE

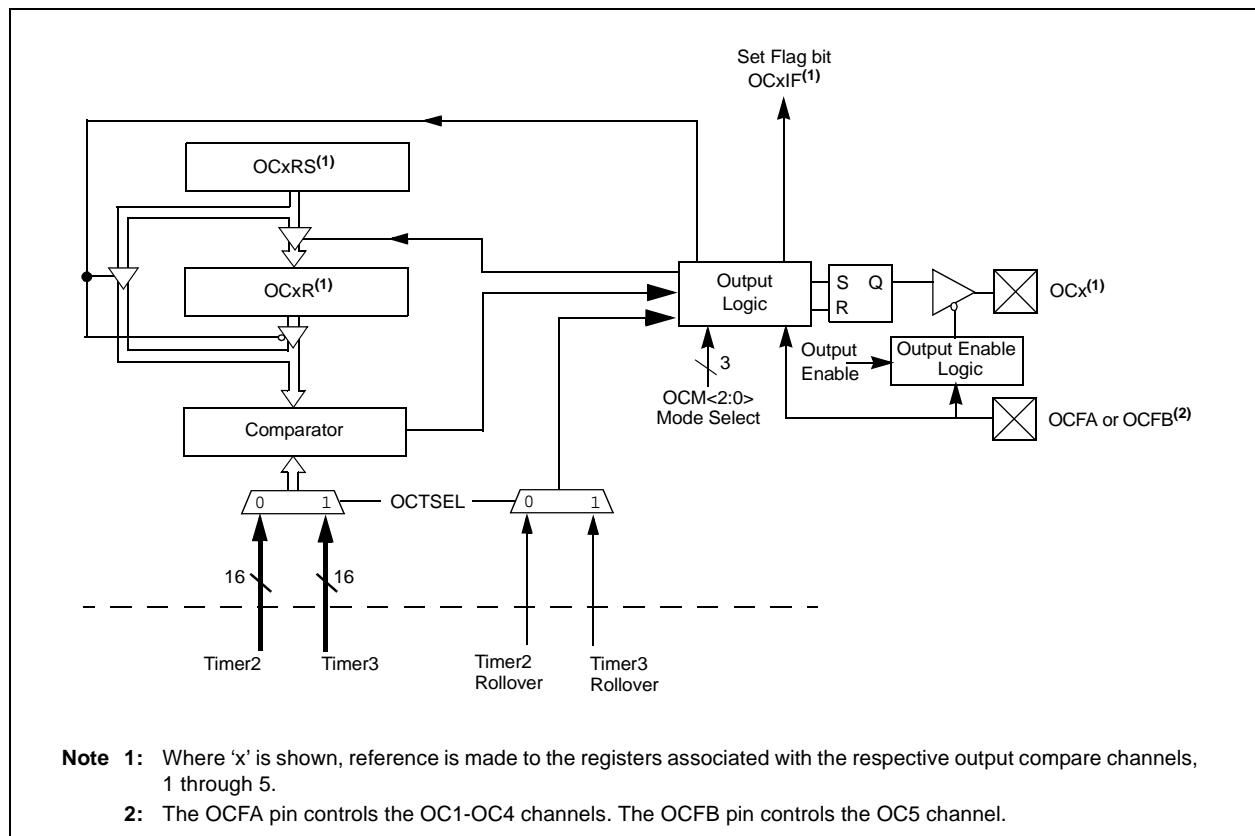
Note: This data sheet summarizes the features of the PIC32MX1XX/2XX 28/44-pin XLP Family of devices. It is not intended to be a comprehensive reference source. To complement the information in this data sheet, refer to **Section 16. "Output Compare"** (DS60001111), which is available from the *Documentation > Reference Manual* section of the Microchip PIC32 web site (www.microchip.com/pic32).

The Output Compare module is used to generate a single pulse or a train of pulses in response to selected time base events. For all modes of operation, the Output Compare module compares the values stored in the OCxR and/or the OCxRS registers to the value in the selected timer. When a match occurs, the Output Compare module generates an event based on the selected mode of operation.

The following are some of the key features of the Output Compare module:

- Multiple Output Compare Modules in a device
- Programmable interrupt generation on compare event
- Single and Dual Compare modes
- Single and continuous output pulse generation
- Pulse-Width Modulation (PWM) mode
- Hardware-based PWM Fault detection and automatic output disable
- Can operate from either of two available 16-bit time bases or a single 32-bit time base

FIGURE 18-1: OUTPUT COMPARE MODULE BLOCK DIAGRAM



18.1 Output Compare Control Registers

TABLE 18-1: OUTPUT COMPARE 1-OUTPUT COMPARE 5 REGISTER MAP

| Virtual Address (BF80_#) | Register Name(f) | Bit Range | Bits | | | | | | | | | | | | | | | All Resets |
|-----------------------------|---------------------|-----------|-------------|-------|-------|-------|-------|-------|------|------|------|------|------|-------|--------|----------|------|------------|
| | | | 31/15 | 30/14 | 29/13 | 28/12 | 27/11 | 26/10 | 25/9 | 24/8 | 23/7 | 22/6 | 21/5 | 20/4 | 19/3 | 18/2 | 17/1 | |
| 3000 | OC1CON | 31:16 | — | — | — | — | — | — | — | — | — | — | — | — | — | — | — | 0000 |
| | | 15:0 | ON | — | SIDL | — | — | — | — | — | — | — | OC32 | OCFLT | OCTSEL | OCM<2:0> | | |
| 3010 | OC1R | 31:16 | OC1R<31:0> | | | | | | | | | | | | | | | xxxx |
| | | 15:0 | | | | | | | | | | | | | | | | xxxx |
| 3020 | OC1RS | 31:16 | OC1RS<31:0> | | | | | | | | | | | | | | | xxxx |
| | | 15:0 | | | | | | | | | | | | | | | | xxxx |
| 3200 | OC2CON | 31:16 | — | — | — | — | — | — | — | — | — | — | — | — | — | — | — | 0000 |
| | | 15:0 | ON | — | SIDL | — | — | — | — | — | — | — | OC32 | OCFLT | OCTSEL | OCM<2:0> | | |
| 3210 | OC2R | 31:16 | OC2R<31:0> | | | | | | | | | | | | | | | xxxx |
| | | 15:0 | | | | | | | | | | | | | | | | xxxx |
| 3220 | OC2RS | 31:16 | OC2RS<31:0> | | | | | | | | | | | | | | | xxxx |
| | | 15:0 | | | | | | | | | | | | | | | | xxxx |
| 3400 | OC3CON | 31:16 | — | — | — | — | — | — | — | — | — | — | — | — | — | — | — | 0000 |
| | | 15:0 | ON | — | SIDL | — | — | — | — | — | — | — | OC32 | OCFLT | OCTSEL | OCM<2:0> | | |
| 3410 | OC3R | 31:16 | OC3R<31:0> | | | | | | | | | | | | | | | xxxx |
| | | 15:0 | | | | | | | | | | | | | | | | xxxx |
| 3420 | OC3RS | 31:16 | OC3RS<31:0> | | | | | | | | | | | | | | | xxxx |
| | | 15:0 | | | | | | | | | | | | | | | | xxxx |
| 3600 | OC4CON | 31:16 | — | — | — | — | — | — | — | — | — | — | — | — | — | — | — | 0000 |
| | | 15:0 | ON | — | SIDL | — | — | — | — | — | — | — | OC32 | OCFLT | OCTSEL | OCM<2:0> | | |
| 3610 | OC4R | 31:16 | OC4R<31:0> | | | | | | | | | | | | | | | xxxx |
| | | 15:0 | | | | | | | | | | | | | | | | xxxx |
| 3620 | OC4RS | 31:16 | OC4RS<31:0> | | | | | | | | | | | | | | | xxxx |
| | | 15:0 | | | | | | | | | | | | | | | | xxxx |
| 3800 | OC5CON | 31:16 | — | — | — | — | — | — | — | — | — | — | — | — | — | — | — | 0000 |
| | | 15:0 | ON | — | SIDL | — | — | — | — | — | — | — | OC32 | OCFLT | OCTSEL | OCM<2:0> | | |
| 3810 | OC5R | 31:16 | OC5R<31:0> | | | | | | | | | | | | | | | xxxx |
| | | 15:0 | | | | | | | | | | | | | | | | xxxx |
| 3820 | OC5RS | 31:16 | OC5RS<31:0> | | | | | | | | | | | | | | | xxxx |
| | | 15:0 | | | | | | | | | | | | | | | | xxxx |

Legend: x = unknown value on Reset; — = unimplemented, read as '0'. Reset values are shown in hexadecimal.

Note 1: All registers in this table have corresponding CLR, SET and INV registers at their virtual addresses, plus offsets of 0x4, 0x8 and 0xC, respectively. See [12.2 "CLR, SET and INV Registers"](#) for more information.

PIC32MX1XX/2XX 28/44-PIN XLP FAMILY

REGISTER 18-1: OCxCON: OUTPUT COMPARE 'x' CONTROL REGISTER

| Bit Range | Bit 31/23/15/7 | Bit 30/22/14/6 | Bit 29/21/13/5 | Bit 28/20/12/4 | Bit 27/19/11/3 | Bit 26/18/10/2 | Bit 25/17/9/1 | Bit 24/16/8/0 |
|-----------|-------------------|----------------|----------------|----------------------|----------------|----------------|---------------|---------------|
| 31:24 | U-0 | U-0 | U-0 | U-0 | U-0 | U-0 | U-0 | U-0 |
| | — | — | — | — | — | — | — | — |
| 23:16 | U-0 | U-0 | U-0 | U-0 | U-0 | U-0 | U-0 | U-0 |
| | — | — | — | — | — | — | — | — |
| 15:8 | R/W-0 | U-0 | R/W-0 | U-0 | U-0 | U-0 | U-0 | U-0 |
| | ON ⁽¹⁾ | — | SIDL | — | — | — | — | — |
| 7:0 | U-0 | U-0 | R/W-0 | R-0 | R/W-0 | R/W-0 | R/W-0 | R/W-0 |
| | — | — | OC32 | OCFLT ⁽²⁾ | OCTSEL | OCM<2:0> | | |

Legend:

| | | |
|-------------------|------------------|--|
| R = Readable bit | W = Writable bit | U = Unimplemented bit, read as '0' |
| -n = Value at POR | '1' = Bit is set | '0' = Bit is cleared x = Bit is unknown |

bit 31-16 **Unimplemented:** Read as '0'

bit 15 **ON:** Output Compare Peripheral On bit⁽¹⁾

- 1 = Output Compare peripheral is enabled
- 0 = Output Compare peripheral is disabled

bit 14 **Unimplemented:** Read as '0'

bit 13 **SIDL:** Stop in Idle Mode bit

- 1 = Discontinue module operation when the device enters Idle mode
- 0 = Continue module operation when the device enters Idle mode

bit 12-6 **Unimplemented:** Read as '0'

bit 5 **OC32:** 32-bit Compare Mode bit

- 1 = OCxR<31:0> and/or OCxRS<31:0> are used for comparisons to the 32-bit timer source
- 0 = OCxR<15:0> and OCxRS<15:0> are used for comparisons to the 16-bit timer source

bit 4 **OCFLT:** PWM Fault Condition Status bit⁽²⁾

- 1 = PWM Fault condition has occurred (cleared in hardware only)
- 0 = No PWM Fault condition has occurred

bit 3 **OCTSEL:** Output Compare Timer Select bit

- 1 = Timer3 is the clock source for this Output Compare module
- 0 = Timer2 is the clock source for this Output Compare module

bit 2-0 **OCM<2:0>:** Output Compare Mode Select bits

- 111 = PWM mode on OCx; Fault pin enabled
- 110 = PWM mode on OCx; Fault pin disabled
- 101 = Initialize OCx pin low; generate continuous output pulses on OCx pin
- 100 = Initialize OCx pin low; generate single output pulse on OCx pin
- 011 = Compare event toggles OCx pin
- 010 = Initialize OCx pin high; compare event forces OCx pin low
- 001 = Initialize OCx pin low; compare event forces OCx pin high
- 000 = Output compare peripheral is disabled but continues to draw current

Note 1: When using 1:1 PBCLK divisor, the user's software should not read/write the peripheral's SFRs in the SYSCLK cycle immediately following the instruction that clears the module's ON bit.

2: This bit is only used when OCM<2:0> = '111'. It is read as '0' in all other modes.

PIC32MX1XX/2XX 28/44-PIN XLP FAMILY

NOTES:

PIC32MX1XX/2XX 28/44-PIN XLP FAMILY

19.0 SERIAL PERIPHERAL INTERFACE (SPI)

Note: This data sheet summarizes the features of the PIC32MX1XX/2XX 28/44-pin XLP Family of devices. It is not intended to be a comprehensive reference source. To complement the information in this data sheet, refer to **Section 23. "Serial Peripheral Interface (SPI)"** (DS60001106), which is available from the *Documentation > Reference Manual* section of the Microchip PIC32 web site (www.microchip.com/pic32).

The SPI module is a synchronous serial interface that is useful for communicating with external peripherals and other microcontrollers. These peripheral devices may be Serial EEPROMs, Shift registers, display drivers, Analog-to-Digital Converters (ADC), etc. The PIC32 SPI module is compatible with Motorola® SPI and SIOP interfaces.

The following are key features of the SPI module:

- Master mode and Slave mode support
- Four clock formats
- Enhanced Framed SPI protocol support
- User-configurable 8-bit, 16-bit and 32-bit data width
- Separate SPI FIFO buffers for receive and transmit
 - FIFO buffers act as 4/8/16-level deep FIFOs based on 32/16/8-bit data width
- Programmable interrupt event on every 8-bit, 16-bit and 32-bit data transfer
- Operation during Sleep and Idle modes
- Audio Codec Support:
 - I²S protocol
 - Left-justified
 - Right-justified
 - PCM

FIGURE 19-1: SPI MODULE BLOCK DIAGRAM



19.1 SPI Control Registers

TABLE 19-1: SPI1 AND SPI2 REGISTER MAP

| Virtual Address (BF80_#) | Register Name(1) | Bit Range | Bits | | | | | | | | | | | | | | All Resets | | |
|--------------------------|------------------|-----------|------------|---------|--------|---------------|-----------|-------------|--------|--------|---------|--------|---------------|--------|--------------|--------------|-------------|--------|------|
| | | | 31/15 | 30/14 | 29/13 | 28/12 | 27/11 | 26/10 | 25/9 | 24/8 | 23/7 | 22/6 | 21/5 | 20/4 | 19/3 | 18/2 | | 17/1 | 16/0 |
| 5800 | SPI1CON | 31:16 | FRMEN | FRMSYNC | FRMPOL | MSEN | FRMSYPW | FRMCNT<2:0> | | | MCLKSEL | — | — | — | — | — | SPIFE | ENHBUF | 0000 |
| | | 15:0 | ON | — | SIDL | DISSDO | MODE32 | MODE16 | SMP | CKE | SSEN | CKP | MSTEN | DISSDI | STXISEL<1:0> | SRXISEL<1:0> | — | — | 0000 |
| 5810 | SPI1STAT | 31:16 | — | — | — | RXBUFELM<4:0> | | | | — | — | — | TXBUFELM<4:0> | | | | 0000 | | |
| | | 15:0 | — | — | — | FRMERR | SPIBUSY | — | — | SPITUR | SRMT | SPIROV | SPIRBE | — | SPITBE | — | SPITBF | SPIRBF | 0008 |
| 5820 | SPI1BUF | 31:16 | DATA<31:0> | | | | | | | | | | | | | | 0000 | | |
| | | 15:0 | DATA<31:0> | | | | | | | | | | | | | | 0000 | | |
| 5830 | SPI1BRG | 31:16 | — | — | — | — | — | — | — | — | — | — | — | — | — | — | — | — | 0000 |
| | | 15:0 | BRG<12:0> | | | | | | | | | | | | | | 0000 | | |
| 5840 | SPI1CON2 | 31:16 | — | — | — | — | — | — | — | — | — | — | — | — | — | — | — | — | 0000 |
| | | 15:0 | SPI SGNEXT | — | — | FRM ERREN | SPI ROVEN | SPI TUREN | IGNROV | IGNTUR | AUDEN | — | — | — | AUD MONO | — | AUDMOD<1:0> | — | — |
| 5A00 | SPI2CON | 31:16 | FRMEN | FRMSYNC | FRMPOL | MSEN | FRMSYPW | FRMCNT<2:0> | | | MCLKSEL | — | — | — | — | — | SPIFE | ENHBUF | 0000 |
| | | 15:0 | ON | — | SIDL | DISSDO | MODE32 | MODE16 | SMP | CKE | SSEN | CKP | MSTEN | DISSDI | STXISEL<1:0> | SRXISEL<1:0> | — | — | 0000 |
| 5A10 | SPI2STAT | 31:16 | — | — | — | RXBUFELM<4:0> | | | | — | — | — | TXBUFELM<4:0> | | | | 0000 | | |
| | | 15:0 | — | — | — | FRMERR | SPIBUSY | — | — | SPITUR | SRMT | SPIROV | SPIRBE | — | SPITBE | — | SPITBF | SPIRBF | 0008 |
| 5A20 | SPI2BUF | 31:16 | DATA<31:0> | | | | | | | | | | | | | | 0000 | | |
| | | 15:0 | DATA<31:0> | | | | | | | | | | | | | | 0000 | | |
| 5A30 | SPI2BRG | 31:16 | — | — | — | — | — | — | — | — | — | — | — | — | — | — | — | — | 0000 |
| | | 15:0 | BRG<12:0> | | | | | | | | | | | | | | 0000 | | |
| 5A40 | SPI2CON2 | 31:16 | — | — | — | — | — | — | — | — | — | — | — | — | — | — | — | — | 0000 |
| | | 15:0 | SPI SGNEXT | — | — | FRM ERREN | SPI ROVEN | SPI TUREN | IGNROV | IGNTUR | AUDEN | — | — | — | AUD MONO | — | AUDMOD<1:0> | — | — |

Legend: x = unknown value on Reset; — = unimplemented, read as '0'. Reset values are shown in hexadecimal.

Note 1: All registers in this table except SPIxBUF have corresponding CLR, SET and INV registers at their virtual addresses, plus offsets of 0x4, 0x8 and 0xC, respectively. See [12.2 "CLR, SET and INV Registers"](#) for more information.

PIC32MX1XX/2XX 28/44-PIN XLP FAMILY

REGISTER 19-1: SPIxCON: SPI CONTROL REGISTER

| Bit Range | Bit 31/23/15/7 | Bit 30/22/14/6 | Bit 29/21/13/5 | Bit 28/20/12/4 | Bit 27/19/11/3 | Bit 26/18/10/2 | Bit 25/17/9/1 | Bit 24/16/8/0 |
|-----------|---------------------------------|-----------------------------|-----------------|-----------------|------------------|-----------------------|----------------|--------------------------------|
| 31:24 | R/W-0 FRMEN | R/W-0 FRMSYNC | R/W-0 FRMPOL | R/W-0 MSSEN | R/W-0 FRMSYPW | R/W-0 | R/W-0 | R/W-0 FRMCNT<2:0> |
| 23:16 | R/W-0 MCLKSEL ⁽²⁾ | U-0 — | U-0 — | U-0 — | U-0 — | U-0 — | R/W-0 SPIFE | R/W-0 ENHBUF ⁽²⁾ |
| 15:8 | R/W-0 ON ⁽¹⁾ | U-0 — | R/W-0 SIDL | R/W-0 DISSDO | R/W-0 MODE32 | R/W-0 MODE16 | R/W-0 SMP | R/W-0 CKE ⁽³⁾ |
| 7:0 | R/W-0 SSEN | R/W-0 CKP ⁽⁴⁾ | R/W-0 MSTEN | R/W-0 DISSDI | R/W-0 | R/W-0 STXISEL<1:0> | R/W-0 | R/W-0 SRXISEL<1:0> |

Legend:

| | | |
|-------------------|------------------|------------------------------------|
| R = Readable bit | W = Writable bit | U = Unimplemented bit, read as '0' |
| -n = Value at POR | '1' = Bit is set | '0' = Bit is cleared |
| | | x = Bit is unknown |

- bit 31 **FRMEN:** Framed SPI Support bit
1 = Framed SPI support is enabled (\overline{SSx} pin used as FSYNC input/output)
0 = Framed SPI support is disabled
- bit 30 **FRMSYNC:** Frame Sync Pulse Direction Control on \overline{SSx} pin bit (Framed SPI mode only)
1 = Frame sync pulse input (Slave mode)
0 = Frame sync pulse output (Master mode)
- bit 29 **FRMPOL:** Frame Sync Polarity bit (Framed SPI mode only)
1 = Frame pulse is active-high
0 = Frame pulse is active-low
- bit 28 **MSSEN:** Master Mode Slave Select Enable bit
1 = Slave select SPI support enabled. The \overline{SS} pin is automatically driven during transmission in Master mode. Polarity is determined by the FRMPOL bit.
0 = Slave select SPI support is disabled.
- bit 27 **FRMSYPW:** Frame Sync Pulse Width bit
1 = Frame sync pulse is one character wide
0 = Frame sync pulse is one clock wide
- bit 26-24 **FRMCNT<2:0>:** Frame Sync Pulse Counter bits. Controls the number of data characters transmitted per pulse. This bit is only valid in FRAMED_SYNC mode.
111 = Reserved; do not use
110 = Reserved; do not use
101 = Generate a frame sync pulse on every 32 data characters
100 = Generate a frame sync pulse on every 16 data characters
011 = Generate a frame sync pulse on every 8 data characters
010 = Generate a frame sync pulse on every 4 data characters
001 = Generate a frame sync pulse on every 2 data characters
000 = Generate a frame sync pulse on every data character
- bit 23 **MCLKSEL:** Master Clock Enable bit⁽²⁾
1 = REFCLK is used by the Baud Rate Generator
0 = PBCLK is used by the Baud Rate Generator
- bit 22-18 **Unimplemented:** Read as '0'

- Note 1:** When using the 1:1 PBCLK divisor, the user's software should not read or write the peripheral's SFRs in the SYSCLOCK cycle immediately following the instruction that clears the module's ON bit.
- 2:** This bit can only be written when the ON bit = 0.
- 3:** This bit is not used in the Framed SPI mode. The user should program this bit to '0' for the Framed SPI mode (FRMEN = 1).
- 4:** When AUDEN = 1, the SPI module functions as if the CKP bit is equal to '1', regardless of the actual value of CKP.

PIC32MX1XX/2XX 28/44-PIN XLP FAMILY

REGISTER 19-1: SPIxCON: SPI CONTROL REGISTER (CONTINUED)

- bit 17 **SPIFE**: Frame Sync Pulse Edge Select bit (Framed SPI mode only)
 1 = Frame synchronization pulse coincides with the first bit clock
 0 = Frame synchronization pulse precedes the first bit clock
- bit 16 **ENHBUF**: Enhanced Buffer Enable bit⁽²⁾
 1 = Enhanced Buffer mode is enabled
 0 = Enhanced Buffer mode is disabled
- bit 15 **ON**: SPI Peripheral On bit⁽¹⁾
 1 = SPI Peripheral is enabled
 0 = SPI Peripheral is disabled
- bit 14 **Unimplemented**: Read as '0'
- bit 13 **SIDL**: Stop in Idle Mode bit
 1 = Discontinue module operation when the device enters Idle mode
 0 = Continue module operation when the device enters Idle mode
- bit 12 **DISSDO**: Disable SDOx pin bit
 1 = SDOx pin is not used by the module. Pin is controlled by associated PORT register
 0 = SDOx pin is controlled by the module
- bit 11-10 **MODE<32,16>**: 32/16-Bit Communication Select bits
When AUDEN = 1:
- | MODE32 | MODE16 | Communication |
|--------|--------|---|
| 1 | 1 | 24-bit Data, 32-bit FIFO, 32-bit Channel/64-bit Frame |
| 1 | 0 | 32-bit Data, 32-bit FIFO, 32-bit Channel/64-bit Frame |
| 0 | 1 | 16-bit Data, 16-bit FIFO, 32-bit Channel/64-bit Frame |
| 0 | 0 | 16-bit Data, 16-bit FIFO, 16-bit Channel/32-bit Frame |
- When AUDEN = 0:
- | MODE32 | MODE16 | Communication |
|--------|--------|---------------|
| 1 | x | 32-bit |
| 0 | 1 | 16-bit |
| 0 | 0 | 8-bit |
- bit 9 **SMP**: SPI Data Input Sample Phase bit
Master mode (MSTEN = 1):
 1 = Input data sampled at end of data output time
 0 = Input data sampled at middle of data output time
Slave mode (MSTEN = 0):
 SMP value is ignored when SPI is used in Slave mode. The module always uses SMP = 0.
 To write a '1' to this bit, the MSTEN value = 1 must first be written.
- bit 8 **CKE**: SPI Clock Edge Select bit⁽³⁾
 1 = Serial output data changes on transition from active clock state to Idle clock state (see the CKP bit)
 0 = Serial output data changes on transition from Idle clock state to active clock state (see the CKP bit)
- bit 7 **SSEN**: Slave Select Enable (Slave mode) bit
 1 = \overline{SSx} pin used for Slave mode
 0 = \overline{SSx} pin not used for Slave mode, pin controlled by port function.
- bit 6 **CKP**: Clock Polarity Select bit⁽⁴⁾
 1 = Idle state for clock is a high level; active state is a low level
 0 = Idle state for clock is a low level; active state is a high level

- Note 1:** When using the 1:1 PBCLK divisor, the user's software should not read or write the peripheral's SFRs in the SYSCLK cycle immediately following the instruction that clears the module's ON bit.
- 2:** This bit can only be written when the ON bit = 0.
- 3:** This bit is not used in the Framed SPI mode. The user should program this bit to '0' for the Framed SPI mode (FRMEN = 1).
- 4:** When AUDEN = 1, the SPI module functions as if the CKP bit is equal to '1', regardless of the actual value of CKP.

PIC32MX1XX/2XX 28/44-PIN XLP FAMILY

REGISTER 19-1: SPIxCON: SPI CONTROL REGISTER (CONTINUED)

- bit 5 **MSTEN**: Master Mode Enable bit
 1 = Master mode
 0 = Slave mode
- bit 4 **DISSDI**: Disable SDI bit
 1 = SDI pin is not used by the SPI module (pin is controlled by PORT function)
 0 = SDI pin is controlled by the SPI module
- bit 3-2 **STXISEL<1:0>**: SPI Transmit Buffer Empty Interrupt Mode bits
 11 = Interrupt is generated when the buffer is not full (has one or more empty elements)
 10 = Interrupt is generated when the buffer is empty by one-half or more
 01 = Interrupt is generated when the buffer is completely empty
 00 = Interrupt is generated when the last transfer is shifted out of SPISR and transmit operations are complete
- bit 1-0 **SRXISEL<1:0>**: SPI Receive Buffer Full Interrupt Mode bits
 11 = Interrupt is generated when the buffer is full
 10 = Interrupt is generated when the buffer is full by one-half or more
 01 = Interrupt is generated when the buffer is not empty
 00 = Interrupt is generated when the last word in the receive buffer is read (i.e., buffer is empty)

- Note 1:** When using the 1:1 PBCLK divisor, the user's software should not read or write the peripheral's SFRs in the SYSCLK cycle immediately following the instruction that clears the module's ON bit.
- 2:** This bit can only be written when the ON bit = 0.
- 3:** This bit is not used in the Framed SPI mode. The user should program this bit to '0' for the Framed SPI mode (FRMEN = 1).
- 4:** When AUDEN = 1, the SPI module functions as if the CKP bit is equal to '1', regardless of the actual value of CKP.

PIC32MX1XX/2XX 28/44-PIN XLP FAMILY

REGISTER 19-2: SPIxCON2: SPI CONTROL REGISTER 2

| Bit Range | Bit 31/23/15/7 | Bit 30/22/14/6 | Bit 29/21/13/5 | Bit 28/20/12/4 | Bit 27/19/11/3 | Bit 26/18/10/2 | Bit 25/17/9/1 | Bit 24/16/8/0 |
|-----------|-------------------------------|----------------|----------------|-------------------|-----------------------------------|-------------------|---------------------------------------|-----------------|
| 31:24 | U-0 — | U-0 — | U-0 — | U-0 — | U-0 — | U-0 — | U-0 — | U-0 — |
| 23:16 | U-0 — | U-0 — | U-0 — | U-0 — | U-0 — | U-0 — | U-0 — | U-0 — |
| 15:8 | R/W-0 SPISGNEXT | U-0 — | U-0 — | R/W-0 FRMERREN | R/W-0 SPIROVEN | R/W-0 SPITUREN | R/W-0 IGNROV | R/W-0 IGNTUR |
| 7:0 | R/W-0 AUDEN ⁽¹⁾ | U-0 — | U-0 — | U-0 — | R/W-0 AUDMONO ^(1,2) | U-0 — | R/W-0 AUDMOD<1:0> ^(1,2) | R/W-0 — |

Legend:

| | | |
|-------------------|------------------|------------------------------------|
| R = Readable bit | W = Writable bit | U = Unimplemented bit, read as '0' |
| -n = Value at POR | '1' = Bit is set | '0' = Bit is cleared |
| | | x = Bit is unknown |

bit 31-16 **Unimplemented:** Read as '0'

bit 15 **SPISGNEXT:** Sign Extend Read Data from the RX FIFO bit

- 1 = Data from RX FIFO is sign extended
- 0 = Data from RX FIFO is not sign extended

bit 14-13 **Unimplemented:** Read as '0'

bit 12 **FRMERREN:** Enable Interrupt Events via FRMERR bit

- 1 = Frame Error overflow generates error events
- 0 = Frame Error does not generate error events

bit 11 **SPIROVEN:** Enable Interrupt Events via SPIROV bit

- 1 = Receive overflow generates error events
- 0 = Receive overflow does not generate error events

bit 10 **SPITUREN:** Enable Interrupt Events via SPITUR bit

- 1 = Transmit underrun generates error events
- 0 = Transmit underrun does not generate error events

bit 9 **IGNROV:** Ignore Receive Overflow bit (for Audio Data Transmissions)

- 1 = A ROV is not a critical error; during ROV data in the FIFO is not overwritten by receive data
- 0 = A ROV is a critical error that stops SPI operation

bit 8 **IGNTUR:** Ignore Transmit Underrun bit (for Audio Data Transmissions)

- 1 = A TUR is not a critical error and zeros are transmitted until the SPIxTXB is not empty
- 0 = A TUR is a critical error that stops SPI operation

bit 7 **AUDEN:** Enable Audio CODEC Support bit⁽¹⁾

- 1 = Audio protocol enabled
- 0 = Audio protocol disabled

bit 6-5 **Unimplemented:** Read as '0'

bit 3 **AUDMONO:** Transmit Audio Data Format bit^(1,2)

- 1 = Audio data is mono (Each data word is transmitted on both left and right channels)
- 0 = Audio data is stereo

bit 2 **Unimplemented:** Read as '0'

bit 1-0 **AUDMOD<1:0>:** Audio Protocol Mode bit^(1,2)

- 11 = PCM/DSP mode
- 10 = Right-Justified mode
- 01 = Left-Justified mode
- 00 = I²S mode

Note 1: This bit can only be written when the ON bit = 0.

Note 2: This bit is only valid for AUDEN = 1.

PIC32MX1XX/2XX 28/44-PIN XLP FAMILY

REGISTER 19-3: SPIxSTAT: SPI STATUS REGISTER

| Bit Range | Bit 31/23/15/7 | Bit 30/22/14/6 | Bit 29/21/13/5 | Bit 28/20/12/4 | Bit 27/19/11/3 | Bit 26/18/10/2 | Bit 25/17/9/1 | Bit 24/16/8/0 |
|-----------|----------------|----------------|----------------|----------------|----------------|----------------|---------------|---------------|
| 31:24 | U-0 | U-0 | U-0 | R-0 | R-0 | R-0 | R-0 | R-0 |
| | — | — | — | RXBUFELM<4:0> | | | | |
| 23:16 | U-0 | U-0 | U-0 | R-0 | R-0 | R-0 | R-0 | R-0 |
| | — | — | — | TXBUFELM<4:0> | | | | |
| 15:8 | U-0 | U-0 | U-0 | R/C-0, HS | R-0 | U-0 | U-0 | R-0 |
| | — | — | — | FRMERR | SPIBUSY | — | — | SPITUR |
| 7:0 | R-0 | R/W-0 | R-0 | U-0 | R-1 | U-0 | R-0 | R-0 |
| | SRMT | SPIROV | SPIRBE | — | SPITBE | — | SPITBF | SPIRBF |

| | | |
|-------------------|-------------------|--|
| Legend: | C = Clearable bit | HS = Set in hardware |
| R = Readable bit | W = Writable bit | U = Unimplemented bit, read as '0' |
| -n = Value at POR | '1' = Bit is set | '0' = Bit is cleared x = Bit is unknown |

bit 31-29 **Unimplemented:** Read as '0'

bit 28-24 **RXBUFELM<4:0>:** Receive Buffer Element Count bits (valid only when ENHBUF = 1)

bit 23-21 **Unimplemented:** Read as '0'

bit 20-16 **TXBUFELM<4:0>:** Transmit Buffer Element Count bits (valid only when ENHBUF = 1)

bit 15-13 **Unimplemented:** Read as '0'

bit 12 **FRMERR:** SPI Frame Error status bit

1 = Frame error detected

0 = No Frame error detected

This bit is only valid when FRMEN = 1.

bit 11 **SPIBUSY:** SPI Activity Status bit

1 = SPI peripheral is currently busy with some transactions

0 = SPI peripheral is currently idle

bit 10-9 **Unimplemented:** Read as '0'

bit 8 **SPITUR:** Transmit Under Run bit

1 = Transmit buffer has encountered an underrun condition

0 = Transmit buffer has no underrun condition

This bit is only valid in Framed Sync mode; the underrun condition must be cleared by disabling (ON bit = 0) and re-enabling (ON bit = 1) the module, or writing a '0' to SPITUR.

bit 7 **SRMT:** Shift Register Empty bit (valid only when ENHBUF = 1)

1 = When SPI module shift register is empty

0 = When SPI module shift register is not empty

bit 6 **SPIROV:** Receive Overflow Flag bit

1 = A new data is completely received and discarded. The user software has not read the previous data in the SPIxBUF register.

0 = No overflow has occurred

This bit is set in hardware; can bit only be cleared by disabling (ON bit = 0) and re-enabling (ON bit = 1) the module, or by writing a '0' to SPIROV.

bit 5 **SPIRBE:** RX FIFO Empty bit (valid only when ENHBUF = 1)

1 = RX FIFO is empty (CRPTR = SWPTR)

0 = RX FIFO is not empty (CRPTR ≠ SWPTR)

bit 4 **Unimplemented:** Read as '0'

PIC32MX1XX/2XX 28/44-PIN XLP FAMILY

REGISTER 19-3: SPIxSTAT: SPI STATUS REGISTER

- bit 3 **SPITBE:** SPI Transmit Buffer Empty Status bit
1 = Transmit buffer, SPIxTXB is empty
0 = Transmit buffer, SPIxTXB is not empty
Automatically set in hardware when SPI transfers data from SPIxTXB to SPIxSR.
Automatically cleared in hardware when SPIxBUF is written to, loading SPIxTXB.
- bit 2 **Unimplemented:** Read as '0'
- bit 1 **SPITBF:** SPI Transmit Buffer Full Status bit
1 = Transmit not yet started, SPITXB is full
0 = Transmit buffer is not full
Standard Buffer Mode:
Automatically set in hardware when the core writes to the SPIBUF location, loading SPITXB.
Automatically cleared in hardware when the SPI module transfers data from SPITXB to SPISR.
Enhanced Buffer Mode:
Set when CWPTR + 1 = SRPTR; cleared otherwise
- bit 0 **SPIRBF:** SPI Receive Buffer Full Status bit
1 = Receive buffer, SPIxRXB is full
0 = Receive buffer, SPIxRXB is not full
Standard Buffer Mode:
Automatically set in hardware when the SPI module transfers data from SPIxSR to SPIxRXB.
Automatically cleared in hardware when SPIxBUF is read from, reading SPIxRXB.
Enhanced Buffer Mode:
Set when SWPTR + 1 = CRPTR; cleared otherwise

PIC32MX1XX/2XX 28/44-PIN XLP FAMILY

20.0 INTER-INTEGRATED CIRCUIT (I²C)

Note: This data sheet summarizes the features of the PIC32MX1XX/2XX 28/44-pin XLP Family of devices. It is not intended to be a comprehensive reference source. To complement the information in this data sheet, refer to **Section 24. “Inter-Integrated Circuit (I²C)”** (DS60001116), which is available from the *Documentation > Reference Manual* section of the Microchip PIC32 web site (www.microchip.com/pic32).

The I²C module provides complete hardware support for both Slave and Multi-Master modes of the I²C serial communication standard. [Figure 20-1](#) illustrates the I²C module block diagram.

Each I²C module has a 2-pin interface: the SCLx pin is clock and the SDAx pin is data.

Each I²C module offers the following key features:

- I²C interface supporting both master and slave operation
- I²C Slave mode supports 7-bit and 10-bit addressing
- I²C Master mode supports 7-bit and 10-bit addressing
- I²C port allows bidirectional transfers between master and slaves
- Serial clock synchronization for the I²C port can be used as a handshake mechanism to suspend and resume serial transfer (SCLREL control)
- I²C supports multi-master operation; detects bus collision and arbitrates accordingly
- Provides support for address bit masking

PIC32MX1XX/2XX 28/44-PIN XLP FAMILY

FIGURE 20-1: I²C BLOCK DIAGRAM



20.1 I²C Control Registers

TABLE 20-1: I2C1 AND I2C2 REGISTER MAP

| Virtual Address (BF80_#) | Register Name ⁽¹⁾ | Bit Range | Bits | | | | | | | | | | | | | | | | All Resets |
|-----------------------------|---------------------------------|-----------|---------|--------|-------|--------|--------|------------------------------|-----------------------|-------|-------|-------|-------|-------|------|------|------|------|------------|
| | | | 31/15 | 30/14 | 29/13 | 28/12 | 27/11 | 26/10 | 25/9 | 24/8 | 23/7 | 22/6 | 21/5 | 20/4 | 19/3 | 18/2 | 17/1 | 16/0 | |
| 5000 | I2C1CON | 31:16 | — | — | — | — | — | — | — | — | — | — | — | — | — | — | — | — | 0000 |
| | | 15:0 | ON | — | SIDL | SCLREL | STRICT | A10M | DISSLW | SMEN | GCEN | STREN | ACKDT | ACKEN | RCEN | PEN | RSEN | SEN | 1000 |
| 5010 | I2C1STAT | 31:16 | — | — | — | — | — | — | — | — | — | — | — | — | — | — | — | — | 0000 |
| | | 15:0 | ACKSTAT | TRSTAT | — | — | — | BCL | GCSTAT | ADD10 | IWCOL | I2COV | D_A | P | S | R_W | RBF | TBF | 0000 |
| 5020 | I2C1ADD | 31:16 | — | — | — | — | — | — | — | — | — | — | — | — | — | — | — | — | 0000 |
| | | 15:0 | — | — | — | — | — | — | Address Register | | | | | | | | | | 0000 |
| 5030 | I2C1MSK | 31:16 | — | — | — | — | — | — | — | — | — | — | — | — | — | — | — | — | 0000 |
| | | 15:0 | — | — | — | — | — | — | Address Mask Register | | | | | | | | | | 0000 |
| 5040 | I2C1BRG | 31:16 | — | — | — | — | — | — | — | — | — | — | — | — | — | — | — | — | 0000 |
| | | 15:0 | — | — | — | — | — | Baud Rate Generator Register | | | | | | | | | | 0000 | |
| 5050 | I2C1TRN | 31:16 | — | — | — | — | — | — | — | — | — | — | — | — | — | — | — | — | 0000 |
| | | 15:0 | — | — | — | — | — | — | Transmit Register | | | | | | | | | | 0000 |
| 5060 | I2C1RCV | 31:16 | — | — | — | — | — | — | — | — | — | — | — | — | — | — | — | — | 0000 |
| | | 15:0 | — | — | — | — | — | — | Receive Register | | | | | | | | | | 0000 |
| 5100 | I2C2CON | 31:16 | — | — | — | — | — | — | — | — | — | — | — | — | — | — | — | — | 0000 |
| | | 15:0 | ON | — | SIDL | SCLREL | STRICT | A10M | DISSLW | SMEN | GCEN | STREN | ACKDT | ACKEN | RCEN | PEN | RSEN | SEN | 1000 |
| 5110 | I2C2STAT | 31:16 | — | — | — | — | — | — | — | — | — | — | — | — | — | — | — | — | 0000 |
| | | 15:0 | ACKSTAT | TRSTAT | — | — | — | BCL | GCSTAT | ADD10 | IWCOL | I2COV | D_A | P | S | R_W | RBF | TBF | 0000 |
| 5120 | I2C2ADD | 31:16 | — | — | — | — | — | — | — | — | — | — | — | — | — | — | — | — | 0000 |
| | | 15:0 | — | — | — | — | — | — | Address Register | | | | | | | | | | 0000 |
| 5130 | I2C2MSK | 31:16 | — | — | — | — | — | — | — | — | — | — | — | — | — | — | — | — | 0000 |
| | | 15:0 | — | — | — | — | — | — | Address Mask Register | | | | | | | | | | 0000 |
| 5140 | I2C2BRG | 31:16 | — | — | — | — | — | — | — | — | — | — | — | — | — | — | — | — | 0000 |
| | | 15:0 | — | — | — | — | — | Baud Rate Generator Register | | | | | | | | | | 0000 | |
| 5150 | I2C2TRN | 31:16 | — | — | — | — | — | — | — | — | — | — | — | — | — | — | — | — | 0000 |
| | | 15:0 | — | — | — | — | — | — | Transmit Register | | | | | | | | | | 0000 |
| 5160 | I2C2RCV | 31:16 | — | — | — | — | — | — | — | — | — | — | — | — | — | — | — | — | 0000 |
| | | 15:0 | — | — | — | — | — | — | Receive Register | | | | | | | | | | 0000 |

Legend: x = unknown value on Reset; — = unimplemented, read as '0'. Reset values are shown in hexadecimal.

Note 1: All registers in this table except I2CxRCV have corresponding CLR, SET and INV registers at their virtual addresses, plus offsets of 0x4, 0x8 and 0xC, respectively. See [Section 11.2 “CLR, SET and INV Registers”](#) for more information.

PIC32MX1XX/2XX 28/44-PIN XLP FAMILY

REGISTER 20-1: I2CxCON: I²C CONTROL REGISTER

| Bit Range | Bit 31/23/15/7 | Bit 30/22/14/6 | Bit 29/21/13/5 | Bit 28/20/12/4 | Bit 27/19/11/3 | Bit 26/18/10/2 | Bit 25/17/9/1 | Bit 24/16/8/0 |
|-----------|----------------------------|----------------|----------------|---------------------|-------------------|------------------|-------------------|------------------|
| 31:24 | U-0 — | U-0 — | U-0 — | U-0 — | U-0 — | U-0 — | U-0 — | U-0 — |
| 23:16 | U-0 — | U-0 — | U-0 — | U-0 — | U-0 — | U-0 — | U-0 — | U-0 — |
| 15:8 | R/W-0 ON ⁽¹⁾ | U-0 — | R/W-0 SIDL | R/W-1, HC SCLREL | R/W-0 STRICT | R/W-0 A10M | R/W-0 DISSLW | R/W-0 SMEN |
| 7:0 | R/W-0 GCEN | R/W-0 STREN | R/W-0 ACKDT | R/W-0, HC ACKEN | R/W-0, HC RCEN | R/W-0, HC PEN | R/W-0, HC RSEN | R/W-0, HC SEN |

| | |
|-------------------|--------------------------|
| Legend: | HC = Cleared in Hardware |
| R = Readable bit | W = Writable bit |
| -n = Value at POR | '1' = Bit is set |
| | '0' = Bit is cleared |
| | x = Bit is unknown |

bit 31-16 **Unimplemented:** Read as '0'

bit 15 **ON:** I²C Enable bit⁽¹⁾

- 1 = Enables the I²C module and configures the SDA and SCL pins as serial port pins
- 0 = Disables the I²C module; all I²C pins are controlled by PORT functions

bit 14 **Unimplemented:** Read as '0'

bit 13 **SIDL:** Stop in Idle Mode bit

- 1 = Discontinue module operation when the device enters Idle mode
- 0 = Continue module operation when the device enters Idle mode

bit 12 **SCLREL:** SCLx Release Control bit (when operating as I²C slave)

- 1 = Release SCLx clock
- 0 = Hold SCLx clock low (clock stretch)

If STREN = 1:

Bit is R/W (i.e., software can write '0' to initiate stretch and write '1' to release clock). Hardware clear at beginning of slave transmission. Hardware clear at end of slave reception.

If STREN = 0:

Bit is R/S (i.e., software can only write '1' to release clock). Hardware clear at beginning of slave transmission.

bit 11 **STRICT:** Strict I²C Reserved Address Rule Enable bit

- 1 = Strict reserved addressing is enforced. Device does not respond to reserved address space or generate addresses in reserved address space.
- 0 = Strict I²C Reserved Address Rule not enabled

bit 10 **A10M:** 10-bit Slave Address bit

- 1 = I2CxADD is a 10-bit slave address
- 0 = I2CxADD is a 7-bit slave address

bit 9 **DISSLW:** Disable Slew Rate Control bit

- 1 = Slew rate control disabled
- 0 = Slew rate control enabled

bit 8 **SMEN:** SMBus Input Levels bit

- 1 = Enable I/O pin thresholds compliant with SMBus specification
- 0 = Disable SMBus input thresholds

Note 1: When using 1:1 PBCLK divisor, the user's software should not read/write the peripheral's SFRs in the SYSCLK cycle immediately following the instruction that clears the module's ON bit.

PIC32MX1XX/2XX 28/44-PIN XLP FAMILY

REGISTER 20-1: I2CxCON: I²C CONTROL REGISTER (CONTINUED)

- bit 7 **GCEN:** General Call Enable bit (when operating as I²C slave)
1 = Enable interrupt when a general call address is received in the I2CxRSR (module is enabled for reception)
0 = General call address is disabled
- bit 6 **STREN:** SCLx Clock Stretch Enable bit (when operating as I²C slave)
Used in conjunction with SCLREL bit.
1 = Enable software or receive clock stretching
0 = Disable software or receive clock stretching
- bit 5 **ACKDT:** Acknowledge Data bit (when operating as I²C master, applicable during master receive)
Value that is transmitted when the software initiates an Acknowledge sequence.
1 = Send a NACK during an Acknowledge sequence
0 = Send an ACK during an Acknowledge sequence
- bit 4 **ACKEN:** Acknowledge Sequence Enable bit (when operating as I²C master, applicable during master receive)
1 = Initiate Acknowledge sequence on SDAx and SCLx pins and transmit ACKDT data bit. Hardware clear at end of master Acknowledge sequence.
0 = Acknowledge sequence not in progress
- bit 3 **RCEN:** Receive Enable bit (when operating as I²C master)
1 = Enables Receive mode for I²C. Hardware clear at end of eighth bit of master receive data byte.
0 = Receive sequence not in progress
- bit 2 **PEN:** Stop Condition Enable bit (when operating as I²C master)
1 = Initiate Stop condition on SDAx and SCLx pins. Hardware clear at end of master Stop sequence.
0 = Stop condition not in progress
- bit 1 **RSEN:** Repeated Start Condition Enable bit (when operating as I²C master)
1 = Initiate Repeated Start condition on SDAx and SCLx pins. Hardware clear at end of master Repeated Start sequence.
0 = Repeated Start condition not in progress
- bit 0 **SEN:** Start Condition Enable bit (when operating as I²C master)
1 = Initiate Start condition on SDAx and SCLx pins. Hardware clear at end of master Start sequence.
0 = Start condition not in progress

Note 1: When using 1:1 PBCLK divisor, the user's software should not read/write the peripheral's SFRs in the SYSCLK cycle immediately following the instruction that clears the module's ON bit.

PIC32MX1XX/2XX 28/44-PIN XLP FAMILY

REGISTER 20-2: I2CxSTAT: I²C STATUS REGISTER

| Bit Range | Bit 31/23/15/7 | Bit 30/22/14/6 | Bit 29/21/13/5 | Bit 28/20/12/4 | Bit 27/19/11/3 | Bit 26/18/10/2 | Bit 25/17/9/1 | Bit 24/16/8/0 |
|-----------|---------------------|--------------------|-----------------|-----------------|-----------------|------------------|--------------------|-------------------|
| 31:24 | U-0 — | U-0 — | U-0 — | U-0 — | U-0 — | U-0 — | U-0 — | U-0 — |
| 23:16 | U-0 — | U-0 — | U-0 — | U-0 — | U-0 — | U-0 — | U-0 — | U-0 — |
| 15:8 | R-0, HSC ACKSTAT | R-0, HSC TRSTAT | U-0 — | U-0 — | U-0 — | R/C-0, HS BCL | R-0, HSC GCSTAT | R-0, HSC ADD10 |
| 7:0 | R/C-0, HS IWCOL | R/C-0, HS I2COV | R-0, HSC D_A | R/C-0, HSC P | R/C-0, HSC S | R-0, HSC R_W | R-0, HSC RBF | R-0, HSC TBF |

| | | |
|-------------------|----------------------|---|
| Legend: | HS = Set in hardware | HSC = Hardware set/cleared |
| R = Readable bit | W = Writable bit | U = Unimplemented bit, read as '0' |
| -n = Value at POR | '1' = Bit is set | '0' = Bit is cleared C = Clearable bit |

bit 31-16 **Unimplemented:** Read as '0'

bit 15 **ACKSTAT:** Acknowledge Status bit (when operating as I²C master, applicable to master transmit operation)
 1 = Acknowledge was not received from slave
 0 = Acknowledge was received from slave
 Hardware set or clear at end of slave Acknowledge.

bit 14 **TRSTAT:** Transmit Status bit (when operating as I²C master, applicable to master transmit operation)
 1 = Master transmit is in progress (8 bits + ACK)
 0 = Master transmit is not in progress
 Hardware set at beginning of master transmission. Hardware clear at end of slave Acknowledge.

bit 13-11 **Unimplemented:** Read as '0'

bit 10 **BCL:** Master Bus Collision Detect bit
 1 = A bus collision has been detected during a master operation
 0 = No collision
 Hardware set at detection of bus collision. This condition can only be cleared by disabling (ON bit = 0) and re-enabling (ON bit = 1) the module.

bit 9 **GCSTAT:** General Call Status bit
 1 = General call address was received
 0 = General call address was not received
 Hardware set when address matches general call address. Hardware clear at Stop detection.

bit 8 **ADD10:** 10-bit Address Status bit
 1 = 10-bit address was matched
 0 = 10-bit address was not matched
 Hardware set at match of 2nd byte of matched 10-bit address. Hardware clear at Stop detection.

bit 7 **IWCOL:** Write Collision Detect bit
 1 = An attempt to write the I2CxTRN register failed because the I²C module is busy
 0 = No collision
 Hardware set at occurrence of write to I2CxTRN while busy (cleared by software).

bit 6 **I2COV:** Receive Overflow Flag bit
 1 = A byte was received while the I2CxRCV register is still holding the previous byte
 0 = No overflow
 Hardware set at attempt to transfer I2CxRSR to I2CxRCV (cleared by software).

bit 5 **D_A:** Data/Address bit (when operating as I²C slave)
 1 = Indicates that the last byte received was data
 0 = Indicates that the last byte received was device address
 Hardware clear at device address match. Hardware set by reception of slave byte.

PIC32MX1XX/2XX 28/44-PIN XLP FAMILY

REGISTER 20-2: I2CxSTAT: I²C STATUS REGISTER (CONTINUED)

- bit 4 **P:** Stop bit
1 = Indicates that a Stop bit has been detected last
0 = Stop bit was not detected last
Hardware set or clear when Start, Repeated Start or Stop detected.
- bit 3 **S:** Start bit
1 = Indicates that a Start (or Repeated Start) bit has been detected last
0 = Start bit was not detected last
Hardware set or clear when Start, Repeated Start or Stop detected.
- bit 2 **R_W:** Read/Write Information bit (when operating as I²C slave)
1 = Read – indicates data transfer is output from slave
0 = Write – indicates data transfer is input to slave
Hardware set or clear after reception of I²C device address byte.
- bit 1 **RBF:** Receive Buffer Full Status bit
1 = Receive complete, I2CxRCV is full
0 = Receive not complete, I2CxRCV is empty
Hardware set when I2CxRCV is written with received byte. Hardware clear when software reads I2CxRCV.
- bit 0 **TBF:** Transmit Buffer Full Status bit
1 = Transmit in progress, I2CxTRN is full
0 = Transmit complete, I2CxTRN is empty
Hardware set when software writes I2CxTRN. Hardware clear at completion of data transmission.

PIC32MX1XX/2XX 28/44-PIN XLP FAMILY

NOTES:

PIC32MX1XX/2XX 28/44-PIN XLP FAMILY

21.0 UNIVERSAL ASYNCHRONOUS RECEIVER TRANSMITTER (UART)

Note: This data sheet summarizes the features of the PIC32MX1XX/2XX 28/44-pin XLP Family of devices. It is not intended to be a comprehensive reference source. To complement the information in this data sheet, refer to **Section 21. “Universal Asynchronous Receiver Transmitter (UART)”** (DS60001107), which is available from the *Documentation > Reference Manual* section of the Microchip PIC32 web site (www.microchip.com/pic32).

The UART module is one of the serial I/O modules available in PIC32MX1XX/2XX 28/44-pin XLP Family devices. The UART is a full-duplex, asynchronous communication channel that communicates with peripheral devices and personal computers through protocols, such as RS-232, RS-485, LIN, and IrDA®. The UART module also supports the hardware flow control option, with \overline{UxCTS} and \overline{UxRTS} pins, and also includes an IrDA encoder and decoder.

The following are key features of the UART module:

- Full-duplex, 8-bit or 9-bit data transmission
- Even, Odd or No Parity options (for 8-bit data)
- One or two Stop bits
- Hardware auto-baud feature
- Hardware flow control option
- Fully integrated Baud Rate Generator (BRG) with 16-bit prescaler
- Baud rates ranging from 33.4 bps to 17.5 Mbps at 72 MHz
- 8-level deep First In First Out (FIFO) transmit data buffer
- 8-level deep FIFO receive data buffer
- Parity, framing and buffer overrun error detection
- Support for interrupt-only on address detect (9th bit = 1)
- Separate transmit and receive interrupts
- Loopback mode for diagnostic support
- LIN protocol support
- IrDA encoder and decoder with 16x baud clock output for external IrDA encoder/decoder support
- Auto-baud support
- Ability to receive data during Sleep mode

Figure 21-1 illustrates a simplified block diagram of the UART module.

FIGURE 21-1: UART SIMPLIFIED BLOCK DIAGRAM



21.1 UART Control Registers

TABLE 21-1: UART1 AND UART2 REGISTER MAP

| Virtual Address (BF80_#) | Register Name | Bit Range | Bits | | | | | | | | | | | | | | | All Resets | | |
|-----------------------------|-----------------------|-----------|-------------------------------|-------|-------|--------|-------|--------|-------|----------|------|-------------------|--------|-------|-------|-------|-------------|------------|-------|-------|
| | | | 31/15 | 30/14 | 29/13 | 28/12 | 27/11 | 26/10 | 25/9 | 24/8 | 23/7 | 22/6 | 21/5 | 20/4 | 19/3 | 18/2 | 17/1 | | 16/0 | |
| 6000 | U1MODE ⁽¹⁾ | 31:16 | — | — | — | — | — | — | — | — | — | SLPEN | ACTIVE | — | — | — | CLKSEL<1:0> | RUNOVF | 0000 | |
| | | 15:0 | ON | — | SIDL | IREN | RTSMD | — | — | UEN<1:0> | WAKE | LPBACK | ABAUD | RXINV | BRGH | — | — | PDSEL<1:0> | STSEL | 0000 |
| 6010 | U1STA ⁽¹⁾ | 31:16 | MASK<7:0> | | | | | | | | | ADDR<7:0> | | | | | | | 0000 | |
| | | 15:0 | UTXISEL<1:0> | | | UTXINV | URXEN | UTXBRK | UTXEN | UTXBF | TRMT | URXISEL<1:0> | | | ADDEN | RIDLE | PERR | FERR | OERR | URXDA |
| 6020 | U1TXREG | 31:16 | — | — | — | — | — | — | — | — | — | — | — | — | — | — | — | — | — | 0000 |
| | | 15:0 | — | — | — | — | — | — | — | — | TX8 | Transmit Register | | | | | | | | |
| 6030 | U1RXREG | 31:16 | — | — | — | — | — | — | — | — | — | — | — | — | — | — | — | — | — | 0000 |
| | | 15:0 | — | — | — | — | — | — | — | — | RX8 | Receive Register | | | | | | | | |
| 6040 | U1BRG ⁽¹⁾ | 31:16 | — | — | — | — | — | — | — | — | — | — | — | — | — | — | — | — | — | 0000 |
| | | 15:0 | Baud Rate Generator Prescaler | | | | | | | | | | | | | | | 0000 | | |
| 6200 | U2MODE ⁽¹⁾ | 31:16 | — | — | — | — | — | — | — | — | — | SLPEN | ACTIVE | — | — | — | CLKSEL<1:0> | RUNOVF | 0000 | |
| | | 15:0 | ON | — | SIDL | IREN | RTSMD | — | — | UEN<1:0> | WAKE | LPBACK | ABAUD | RXINV | BRGH | — | — | PDSEL<1:0> | STSEL | 0000 |
| 6210 | U2STA ⁽¹⁾ | 31:16 | MASK<7:0> | | | | | | | | | ADDR<7:0> | | | | | | | 0000 | |
| | | 15:0 | UTXISEL<1:0> | | | UTXINV | URXEN | UTXBRK | UTXEN | UTXBF | TRMT | URXISEL<1:0> | | | ADDEN | RIDLE | PERR | FERR | OERR | URXDA |
| 6220 | U2TXREG | 31:16 | — | — | — | — | — | — | — | — | — | — | — | — | — | — | — | — | — | 0000 |
| | | 15:0 | — | — | — | — | — | — | — | — | TX8 | Transmit Register | | | | | | | | |
| 6230 | U2RXREG | 31:16 | — | — | — | — | — | — | — | — | — | — | — | — | — | — | — | — | — | 0000 |
| | | 15:0 | — | — | — | — | — | — | — | — | RX8 | Receive Register | | | | | | | | |
| 6240 | U2BRG ⁽¹⁾ | 31:16 | — | — | — | — | — | — | — | — | — | — | — | — | — | — | — | — | — | 0000 |
| | | 15:0 | Baud Rate Generator Prescaler | | | | | | | | | | | | | | | 0000 | | |

Legend: x = unknown value on Reset; — = unimplemented, read as '0'. Reset values are shown in hexadecimal.

Note 1: This register has corresponding CLR, SET and INV registers at its virtual address, plus an offset of 0x4, 0x8 and 0xC, respectively. See [12.2 “CLR, SET and INV Registers”](#) for more information.

PIC32MX1XX/2XX 28/44-PIN XLP FAMILY

REGISTER 21-1: UxMODE: UARTx MODE REGISTER

| Bit Range | Bit 31/23/15/7 | Bit 30/22/14/6 | Bit 29/21/13/5 | Bit 28/20/12/4 | Bit 27/19/11/3 | Bit 26/18/10/2 | Bit 25/17/9/1 | Bit 24/16/8/0 |
|-----------|----------------|-----------------------|----------------|----------------|----------------|----------------------|----------------------------------|-----------------|
| 31:24 | U-0 — | U-0 — | U-0 — | U-0 — | U-0 — | U-0 — | U-0 — | U-0 — |
| 23:16 | R/W-0 SLPEN | R-0, HS, HC ACTIVE | U-0 — | U-0 — | U-0 — | R/W-0 CLKSEL<1:0> | R/W-0 | R/W-0 RUNOVF |
| 15:8 | R/W-0 ON | U-0 — | R/W-0 SIDL | R/W-0 IREN | R/W-0 RTSMD | U-0 — | R/W-0 UEN<1:0> ⁽¹⁾ | R/W-0 |
| 7:0 | R/W-0 WAKE | R/W-0 LPBACK | R/W-0 ABAUD | R/W-0 RXINV | R/W-0 BRGH | R/W-0 PDSEL<1:0> | R/W-0 | R/W-0 STSEL |

| | | |
|-------------------|-------------------|--|
| Legend: | HS = Hardware set | HC = Hardware cleared |
| R = Readable bit | W = Writable bit | U = Unimplemented bit, read as '0' |
| -n = Value at POR | '1' = Bit is set | '0' = Bit is cleared x = Bit is unknown |

bit 31-24 **Unimplemented:** Read as '0'

bit 23 **SLPEN:** Run During Sleep Enable bit

- 1 = UARTx BRG clock runs during Sleep mode
- 0 = UARTx BRG clock is turned off during Sleep mode

Note: SLPEN = 1 only applies if CLKSEL = FRC. All clocks, as well as the UART, are disabled in Deep Sleep mode.

bit 22 **ACTIVE:** UARTx Module Running Status bit

- 1 = UARTx module is active (UxMODE register should not be updated)
- 0 = UARTx module is not active (UxMODE register can be updated)

bit 21-19 **Unimplemented:** Read as '0'

bit 18-17 **CLKSEL<1:0>:** UARTx Module Clock Selection bits

- 11 = BRG clock is PBCLK2
- 10 = BRG clock is FRC
- 01 = BRG clock is SYSCLK (turned off in Sleep mode)
- 00 = BRG clock is PBCLK2 (turned off in Sleep mode)

bit 16 **RUNOVF:** Run During Overflow Condition Mode bit

- 1 = When an Overflow Error (OERR) condition is detected, the shift register continues to run to remain synchronized
- 0 = When an Overflow Error (OERR) condition is detected, the shift register stops accepting new data (Legacy mode)

bit 15 **ON:** UARTx Enable bit

- 1 = UARTx module is enabled. UARTx pins are controlled by UARTx as defined by UEN<1:0> and UTXEN control bits
- 0 = UARTx module is disabled. All UARTx pins are controlled by corresponding bits in the PORTx, TRISx, and LATx registers; UARTx power consumption is minimal

bit 14 **Unimplemented:** Read as '0'

bit 13 **SIDL:** Stop in Idle Mode bit

- 1 = Discontinue operation when device enters Idle mode
- 0 = Continue operation in Idle mode

Note 1: These bits are present for legacy compatibility, and are superseded by PPS functionality on these devices (see [12.3 "Peripheral Pin Select"](#) for more information).

PIC32MX1XX/2XX 28/44-PIN XLP FAMILY

REGISTER 21-1: UxMODE: UARTx MODE REGISTER (CONTINUED)

- bit 12 **IREN:** IrDA[®] Encoder and Decoder Enable bit
1 = IrDA is enabled
0 = IrDA is disabled
- bit 11 **RTSMD:** Mode Selection for $\overline{\text{UxRTS}}$ Pin bit
1 = $\overline{\text{UxRTS}}$ pin is in Simplex mode
0 = $\overline{\text{UxRTS}}$ pin is in Flow Control mode
- bit 10 **Unimplemented:** Read as '0'
- bit 9-8 **UEN<1:0>:** UARTx Module Enable bits⁽¹⁾
11 = UxTX, UxRX and UxBCLK pins are enabled and used; $\overline{\text{UxCTS}}$ pin is controlled by corresponding bits in the PORTx register
10 = UxTX, UxRX, $\overline{\text{UxCTS}}$ and $\overline{\text{UxRTS}}$ pins are enabled and used
01 = UxTX, UxRX and $\overline{\text{UxRTS}}$ pins are enabled and used; $\overline{\text{UxCTS}}$ pin is controlled by corresponding bits in the PORTx register
00 = UxTX and UxRX pins are enabled and used; $\overline{\text{UxCTS}}$ and $\overline{\text{UxRTS/UxBCLK}}$ pins are controlled by corresponding bits in the PORTx register
- bit 7 **WAKE:** Enable Wake-up on Start bit Detect During Sleep Mode bit
1 = Wake-up enabled
0 = Wake-up disabled
- bit 6 **LPBACK:** UARTx Loopback Mode Select bit
1 = Loopback mode is enabled
0 = Loopback mode is disabled
- bit 5 **ABAUD:** Auto-Baud Enable bit
1 = Enable baud rate measurement on the next character – requires reception of Sync character (0x55); cleared by hardware upon completion
0 = Baud rate measurement disabled or completed
- bit 4 **RXINV:** Receive Polarity Inversion bit
1 = UxRX Idle state is '0'
0 = UxRX Idle state is '1'
- bit 3 **BRGH:** High Baud Rate Enable bit
1 = High-Speed mode – 4x baud clock enabled
0 = Standard Speed mode – 16x baud clock enabled
- bit 2-1 **PDSEL<1:0>:** Parity and Data Selection bits
11 = 9-bit data, no parity
10 = 8-bit data, odd parity
01 = 8-bit data, even parity
00 = 8-bit data, no parity
- bit 0 **STSEL:** Stop Selection bit
1 = 2 Stop bits
0 = 1 Stop bit

Note 1: These bits are present for legacy compatibility, and are superseded by PPS functionality on these devices (see [12.3 “Peripheral Pin Select”](#) for more information).

PIC32MX1XX/2XX 28/44-PIN XLP FAMILY

REGISTER 21-2: UxSTA: UARTx STATUS AND CONTROL REGISTER

| Bit Range | Bit 31/23/15/7 | Bit 30/22/14/6 | Bit 29/21/13/5 | Bit 28/20/12/4 | Bit 27/19/11/3 | Bit 26/18/10/2 | Bit 25/17/9/1 | Bit 24/16/8/0 |
|-----------|----------------|----------------|----------------|----------------|----------------|----------------|---------------|---------------|
| 31:24 | R/W-0 | R/W-0 | R/W-0 | R/W-0 | R/W-0 | R/W-0 | R/W-0 | R/W-0 |
| MASK<7:0> | | | | | | | | |
| 23:16 | R/W-0 | R/W-0 | R/W-0 | R/W-0 | R/W-0 | R/W-0 | R/W-0 | R/W-0 |
| ADDR<7:0> | | | | | | | | |
| 15:8 | R/W-0 | R/W-0 | R/W-0 | R/W-0 | R/W-0 | R/W-0 | R-0 | R-1 |
| | UTXISEL<1:0> | | UTXINV | URXEN | UTXBRK | UTXEN | UTXBF | TRMT |
| 7:0 | R/W-0 | R/W-0 | R/W-0 | R-1 | R-0 | R-0 | R/W-0 | R-0 |
| | URXISEL<1:0> | | ADDEN | RIDLE | PERR | FERR | OERR | URXDA |

Legend:

R = Readable bit

W = Writable bit

U = Unimplemented bit, read as '0'

-n = Value at POR

'1' = Bit is set

'0' = Bit is cleared

x = Bit is unknown

bit 31-25 **MASK<7:0>**: UARTx Address Match Mask bits

These bits are used to mask the ADDR<7:0> bits.

11111111 = Corresponding ADDR_x bits are used to detect the address match

Note: This setting allows the user to assign individual address as well as a group broadcast address to a UART.

00000000 = Corresponding ADDR_x bits are not used to detect the address match.

bit 23-16 **ADDR<7:0>**: Automatic Address Mask bits

When the ADDEN bit is '1', this value defines the address character to use for automatic address detection.

bit 15-14 **UTXISEL<1:0>**: TX Interrupt Mode Selection bits

11 = Reserved, do not use

10 = Interrupt is generated and asserted while the transmit buffer is empty

01 = Interrupt is generated and asserted when all characters have been transmitted

00 = Interrupt is generated and asserted while the transmit buffer contains at least one empty space

bit 13 **UTXINV**: Transmit Polarity Inversion bit

If IrDA mode is disabled (i.e., IREN (UxMODE<12>) is '0'):

1 = UxTX Idle state is '0'

0 = UxTX Idle state is '1'

If IrDA mode is enabled (i.e., IREN (UxMODE<12>) is '1'):

1 = IrDA encoded UxTX Idle state is '1'

0 = IrDA encoded UxTX Idle state is '0'

bit 12 **URXEN**: Receiver Enable bit

1 = UARTx receiver is enabled. UxRX pin is controlled by UARTx (if ON = 1)

0 = UARTx receiver is disabled. UxRX pin is ignored by the UARTx module

Note: The event of disabling an enabled receiver will release the RX pin to the PORT function; however, the receive buffers *will not* be reset. Disabling the receiver has no effect on the receive status flags.

bit 11 **UTXBRK**: Transmit Break bit

1 = Send Break on next transmission. Start bit followed by twelve '0' bits, followed by Stop bit; cleared by hardware upon completion

0 = Break transmission is disabled or completed

PIC32MX1XX/2XX 28/44-PIN XLP FAMILY

REGISTER 21-2: UxSTA: UARTx STATUS AND CONTROL REGISTER (CONTINUED)

- bit 10 **UTXEN:** Transmit Enable bit
1 = UARTx transmitter is enabled. UxTX pin is controlled by UARTx (if ON = 1)
0 = UARTx transmitter is disabled. Any pending transmission is aborted and buffer is reset
- Note:** The event of disabling an enabled transmitter will release the TX pin to the PORT function and reset the transmit buffers to empty. Any pending transmission is aborted and data characters in the transmit buffers are lost. All transmit status flags are cleared and the TRMT bit is set
- bit 9 **UTXBF:** Transmit Buffer Full Status bit (read-only)
1 = Transmit buffer is full
0 = Transmit buffer is not full, at least one more character can be written
- bit 8 **TRMT:** Transmit Shift Register is Empty bit (read-only)
1 = Transmit shift register is empty and transmit buffer is empty (the last transmission has completed)
0 = Transmit shift register is not empty, a transmission is in progress or queued in the transmit buffer
- bit 7-6 **URXISEL<1:0>:** Receive Interrupt Mode Selection bit
11 = Reserved
10 = Interrupt flag bit is asserted while receive buffer is 3/4 or more full
01 = Interrupt flag bit is asserted while receive buffer is 1/2 or more full
00 = Interrupt flag bit is asserted while receive buffer is not empty (i.e., has at least 1 data character)
- bit 5 **ADDEN:** Address Character Detect bit (bit 8 of received data = 1)
1 = Address Detect mode is enabled. If 9-bit mode is not selected, this control bit has no effect
0 = Address Detect mode is disabled
- bit 4 **RIDLE:** Receiver Idle bit (read-only)
1 = Receiver is Idle
0 = Data is being received
- bit 3 **PERR:** Parity Error Status bit (read-only)
1 = Parity error has been detected for the current character
0 = Parity error has not been detected
- bit 2 **FERR:** Framing Error Status bit (read-only)
1 = Framing error has been detected for the current character
0 = Framing error has not been detected
- bit 1 **OERR:** Receive Buffer Overrun Error Status bit.
This bit is set in hardware and can only be cleared (= 0) in software. Clearing a previously set OERR bit resets the receiver buffer and RSR to empty state.
1 = Receive buffer has overflowed
0 = Receive buffer has not overflowed
- bit 0 **URXDA:** Receive Buffer Data Available bit (read-only)
1 = Receive buffer has data, at least one more character can be read
0 = Receive buffer is empty

PIC32MX1XX/2XX 28/44-PIN XLP FAMILY

Figure 21-2 and Figure 21-3 illustrate typical receive and transmit timing for the UART module.

FIGURE 21-2: UART RECEPTION



FIGURE 21-3: TRANSMISSION (8-BIT OR 9-BIT DATA)



PIC32MX1XX/2XX 28/44-PIN XLP FAMILY

NOTES:

PIC32MX1XX/2XX 28/44-PIN XLP FAMILY

22.0 PARALLEL MASTER PORT (PMP)

Note: This data sheet summarizes the features of the PIC32MX1XX/2XX 28/44-pin XLP Family of devices. It is not intended to be a comprehensive reference source. To complement the information in this data sheet, refer to **Section 13. “Parallel Master Port (PMP)”** (DS60001128), which is available from the *Documentation > Reference Manual* section of the Microchip PIC32 web site (www.microchip.com/pic32).

The PMP is a parallel 8-bit input/output module specifically designed to communicate with a wide variety of parallel devices, such as communications peripherals, LCDs, external memory devices and microcontrollers. Because the interface to parallel peripherals varies significantly, the PMP module is highly configurable.

The following are key features of the PMP module:

- Fully multiplexed address/data mode
- Demultiplexed or partially multiplexed address/data mode
 - Up to 11 address lines with single Chip Select
 - Up to 12 address lines without Chip Select
- One Chip Select line
- Programmable strobe options, any one of these:
 - Individual read and write strobes
 - Read/write strobe with enable strobe
- Address auto-increment/auto-decrement
- Programmable address/data multiplexing
- Programmable polarity on control signals
- Legacy parallel slave port support
- Enhanced parallel slave support
 - Address support
 - 4-byte deep auto-incrementing buffer
- Programmable Wait states
- Selectable input voltage levels

Figure 22-1 illustrates the PMP module block diagram.

FIGURE 22-1: PMP MODULE PINOUT AND CONNECTIONS TO EXTERNAL DEVICES



22.1 PMP Control Registers

TABLE 22-1: PARALLEL MASTER PORT REGISTER MAP

| Virtual Address (BF80..#) | Register Name ⁽¹⁾ | Bit Range | Bits | | | | | | | | | | | | | | All Resets | | |
|---------------------------|------------------------------|-----------|---------------|-----------|-----------|-------------|-----------|------------|--------|----------|---------|------|------|------|------|------|------------|------|------|
| | | | 31/15 | 30/14 | 29/13 | 28/12 | 27/11 | 26/10 | 25/9 | 24/8 | 23/7 | 22/6 | 21/5 | 20/4 | 19/3 | 18/2 | | 17/1 | 16/0 |
| 7000 | PMCON | 31:16 | — | — | — | — | — | — | — | — | RDSTART | — | — | — | — | — | — | — | 0000 |
| | | 15:0 | ON | — | SIDL | ADRMUX<1:0> | PMPTTL | PTWREN | PTRDEN | CSF<1:0> | ALP | — | CS1P | — | WRSP | RDSP | — | — | — |
| 7010 | PMMODE | 31:16 | — | — | — | — | — | — | — | — | — | — | — | — | — | — | — | — | 0000 |
| | | 15:0 | BUSY | IRQM<1:0> | INCM<1:0> | — | MODE<1:0> | WAITB<1:0> | — | — | — | — | — | — | — | — | — | — | 0000 |
| 7020 | PMADDR | 31:16 | — | — | — | — | — | — | — | — | — | — | — | — | — | — | — | — | 0000 |
| | | 15:0 | — | CS1 | — | — | — | — | — | — | — | — | — | — | — | — | — | — | 0000 |
| 7030 | PMDOUT | 31:16 | DATAOUT<31:0> | | | | | | | | | | | | | | 0000 | | |
| | | 15:0 | DATAOUT<31:0> | | | | | | | | | | | | | | 0000 | | |
| 7040 | PMDIN | 31:16 | DATAIN<31:0> | | | | | | | | | | | | | | 0000 | | |
| | | 15:0 | DATAIN<31:0> | | | | | | | | | | | | | | 0000 | | |
| 7050 | PMAEN | 31:16 | — | — | — | — | — | — | — | — | — | — | — | — | — | — | — | — | 0000 |
| | | 15:0 | — | PTEN14 | — | — | — | — | — | — | — | — | — | — | — | — | — | — | — |
| 7060 | PMSTAT | 31:16 | — | — | — | — | — | — | — | — | — | — | — | — | — | — | — | — | 0000 |
| | | 15:0 | IBF | IBOV | — | — | IB3F | IB2F | IB1F | IB0F | OBE | OBUF | — | — | OB3E | OB2E | OB1E | OB0E | 008F |
| 7070 | PMWADDR | 31:16 | — | — | — | — | — | — | — | — | — | — | — | — | — | — | — | — | 0000 |
| | | 15:0 | — | WCS1 | — | — | — | — | — | — | — | — | — | — | — | — | — | — | 0000 |
| 7080 | PMRADDR | 31:16 | — | — | — | — | — | — | — | — | — | — | — | — | — | — | — | — | 0000 |
| | | 15:0 | — | RCS1 | — | — | — | — | — | — | — | — | — | — | — | — | — | — | 0000 |
| 7090 | PMRDIN | 31:16 | — | — | — | — | — | — | — | — | — | — | — | — | — | — | — | — | 0000 |
| | | 15:0 | RDATAIN<15:0> | | | | | | | | | | | | | | 0000 | | |

Legend: x = unknown value on Reset; — = unimplemented, read as '0'. Reset values are shown in hexadecimal.

Note 1: All registers in this table have corresponding CLR, SET and INV registers at their virtual addresses, plus offsets of 0x4, 0x8 and 0xC, respectively. See [12.2 "CLR, SET and INV Registers"](#) for more information.

PIC32MX1XX/2XX 28/44-PIN XLP FAMILY

REGISTER 22-1: PMCON: PARALLEL PORT CONTROL REGISTER

| Bit Range | Bit 31/23/15/7 | Bit 30/22/14/6 | Bit 29/21/13/5 | Bit 28/20/12/4 | Bit 27/19/11/3 | Bit 26/18/10/2 | Bit 25/17/9/1 | Bit 24/16/8/0 |
|-----------|----------------------------------|----------------|-----------------------------|----------------------|------------------------------|------------------|-----------------|-----------------|
| 31:24 | U-0 — | U-0 — | U-0 — | U-0 — | U-0 — | U-0 — | U-0 — | U-0 — |
| 23:16 | R/W-0, HC RDSTART | U-0 — | U-0 — | U-0 — | U-0 — | U-0 — | U-0 — | U-0 — |
| 15:8 | R/W-0 ON ⁽¹⁾ | U-0 — | R/W-0 SIDL | R/W-0 ADRMUX<1:0> | R/W-0 — | R/W-0 PMP TTL | R/W-0 PTWREN | R/W-0 PTRDEN |
| 7:0 | R/W-0 CSF<1:0> ⁽²⁾ | R/W-0 — | R/W-0 ALP ⁽²⁾ | U-0 — | R/W-0 CS1P ⁽²⁾ | U-0 — | R/W-0 WRSP | R/W-0 RDSP |

Legend:

| | | |
|-------------------|------------------|--|
| R = Readable bit | W = Writable bit | U = Unimplemented bit, read as '0' |
| -n = Value at POR | '1' = Bit is set | '0' = Bit is cleared x = Bit is unknown |

bit 31-14 **Unimplemented:** Read as '0'

bit 23 **RDSTART:** Start Read on PMP Bus bit
 This bit is cleared by hardware at the end of the read cycle.
 1 = Start a read cycle on the PMP bus
 0 = No effect

bit 22-16 **Unimplemented:** Read as '0'

bit 15 **ON:** Parallel Master Port Enable bit⁽¹⁾
 1 = PMP enabled
 0 = PMP disabled, no off-chip access performed

bit 14 **Unimplemented:** Read as '0'

bit 13 **SIDL:** Stop in Idle Mode bit
 1 = Discontinue module operation when the device enters Idle mode
 0 = Continue module operation when the device enters Idle mode

bit 12-11 **ADRMUX<1:0>:** Address/Data Multiplexing Selection bits
 11 = Lower 8 bits of address are multiplexed on PMD<7:0> pins; upper 8 bits are not used
 10 = All 16 bits of address are multiplexed on PMD<7:0> pins
 01 = Lower 8 bits of address are multiplexed on PMD<7:0> pins, upper bits are on PMA<10:8> and PMA<14>
 00 = Address and data appear on separate pins

bit 10 **PMP TTL:** PMP Module TTL Input Buffer Select bit
 1 = PMP module uses TTL input buffers
 0 = PMP module uses Schmitt Trigger input buffer

bit 9 **PTWREN:** Write Enable Strobe Port Enable bit
 1 = PMWR/PMENB port enabled
 0 = PMWR/PMENB port disabled

bit 8 **PTRDEN:** Read/Write Strobe Port Enable bit
 1 = PMRD/PMWR port enabled
 0 = PMRD/PMWR port disabled

Note 1: When using 1:1 PBCLK divisor, the user's software should not read/write the peripheral's SFRs in the SYSCLK cycle immediately following the instruction that clears the module's ON control bit.

2: These bits have no effect when their corresponding pins are used as address lines.

PIC32MX1XX/2XX 28/44-PIN XLP FAMILY

REGISTER 22-1: PMCON: PARALLEL PORT CONTROL REGISTER (CONTINUED)

- bit 7-6 **CSF<1:0>**: Chip Select Function bits⁽²⁾
11 = Reserved
10 = PMCS1 functions as Chip Select
01 = PMCS1 functions as PMA<14>
00 = PMCS1 functions as PMA<14>
- bit 5 **ALP**: Address Latch Polarity bit⁽²⁾
1 = Active-high (PMALL and PMALH)
0 = Active-low ($\overline{\text{PMALL}}$ and $\overline{\text{PMALH}}$)
- bit 4 **Unimplemented**: Read as '0'
- bit 3 **CS1P**: Chip Select 0 Polarity bit⁽²⁾
1 = Active-high (PMCS1)
0 = Active-low ($\overline{\text{PMCS1}}$)
- bit 2 **Unimplemented**: Read as '0'
- bit 1 **WRSP**: Write Strobe Polarity bit
For Slave Modes and Master mode 2 (MODE<1:0> = 00,01,10):
1 = Write strobe active-high (PMWR)
0 = Write strobe active-low ($\overline{\text{PMWR}}$)
For Master mode 1 (MODE<1:0> = 11):
1 = Enable strobe active-high (PMENB)
0 = Enable strobe active-low ($\overline{\text{PMENB}}$)
- bit 0 **RDSP**: Read Strobe Polarity bit
For Slave modes and Master mode 2 (MODE<1:0> = 00,01,10):
1 = Read Strobe active-high (PMRD)
0 = Read Strobe active-low ($\overline{\text{PMRD}}$)
For Master mode 1 (MODE<1:0> = 11):
1 = Read/write strobe active-high (PMRD/ $\overline{\text{PMWR}}$)
0 = Read/write strobe active-low ($\overline{\text{PMRD}}$ / $\overline{\text{PMWR}}$)

Note 1: When using 1:1 PBCLK divisor, the user's software should not read/write the peripheral's SFRs in the SYSClk cycle immediately following the instruction that clears the module's ON control bit.

2: These bits have no effect when their corresponding pins are used as address lines.

PIC32MX1XX/2XX 28/44-PIN XLP FAMILY

REGISTER 22-2: PMMODE: PARALLEL PORT MODE REGISTER

| Bit Range | Bit 31/23/15/7 | Bit 30/22/14/6 | Bit 29/21/13/5 | Bit 28/20/12/4 | Bit 27/19/11/3 | Bit 26/18/10/2 | Bit 25/17/9/1 | Bit 24/16/8/0 |
|-----------|---------------------------|----------------|---------------------------|----------------|----------------|---------------------------|---------------|---------------|
| 31:24 | U-0 | U-0 | U-0 | U-0 | U-0 | U-0 | U-0 | U-0 |
| | — | — | — | — | — | — | — | — |
| 23:16 | U-0 | U-0 | U-0 | U-0 | U-0 | U-0 | U-0 | U-0 |
| | — | — | — | — | — | — | — | — |
| 15:8 | R-0 | R/W-0 | R/W-0 | R/W-0 | R/W-0 | U-0 | R/W-0 | R/W-0 |
| | BUSY | IRQM<1:0> | | INCM<1:0> | | — | MODE<1:0> | |
| 7:0 | R/W-0 | R/W-0 | R/W-0 | R/W-0 | R/W-0 | R/W-0 | R/W-0 | R/W-0 |
| | WAITB<1:0> ⁽¹⁾ | | WAITM<3:0> ⁽¹⁾ | | | WAITE<1:0> ⁽¹⁾ | | |

Legend:

R = Readable bit W = Writable bit U = Unimplemented bit, read as '0'
 -n = Value at POR '1' = Bit is set '0' = Bit is cleared x = Bit is unknown

bit 31-16 **Unimplemented:** Read as '0'

bit 15 **BUSY:** Busy bit (Master mode only)

- 1 = Port is busy
- 0 = Port is not busy

bit 14-13 **IRQM<1:0>:** Interrupt Request Mode bits

- 11 = Reserved, do not use
- 10 = Interrupt generated when Read Buffer 3 is read or Write Buffer 3 is written (Buffered PSP mode) or on a read or write operation when PMA<1:0> = 11 (Addressable Slave mode only)
- 01 = Interrupt generated at the end of the read/write cycle
- 00 = No interrupt generated

bit 12-11 **INCM<1:0>:** Increment Mode bits

- 11 = Slave mode read and write buffers auto-increment (MODE<1:0> = 00 only)
- 10 = Decrement ADDR<10:2> and ADDR<14> by 1 every read/write cycle⁽²⁾
- 01 = Increment ADDR<10:2> and ADDR<14> by 1 every read/write cycle⁽²⁾
- 00 = No increment or decrement of address

bit 10 **Unimplemented:** Read as '0'

bit 9-8 **MODE<1:0>:** Parallel Port Mode Select bits

- 11 = Master mode 1 (PMCS1, PMRD/PMWR, PMENB, PMA<x:0>, and PMD<7:0>)
- 10 = Master mode 2 (PMCS1, PMRD, PMWR, PMA<x:0>, and PMD<7:0>)
- 01 = Enhanced Slave mode, control signals (PMRD, PMWR, PMCS1, PMD<7:0>, and PMA<1:0>)
- 00 = Legacy Parallel Slave Port, control signals (PMRD, PMWR, PMCS1, and PMD<7:0>)

bit 7-6 **WAITB<1:0>:** Data Setup to Read/Write Strobe Wait States bits⁽¹⁾

- 11 = Data wait of 4 TPB; multiplexed address phase of 4 TPB
- 10 = Data wait of 3 TPB; multiplexed address phase of 3 TPB
- 01 = Data wait of 2 TPB; multiplexed address phase of 2 TPB
- 00 = Data wait of 1 TPB; multiplexed address phase of 1 TPB (default)

bit 5-2 **WAITM<3:0>:** Data Read/Write Strobe Wait States bits⁽¹⁾

- 1111 = Wait of 16 TPB
- .
- .
- .
- 0001 = Wait of 2 TPB
- 0000 = Wait of 1 TPB (default)

Note 1: Whenever WAITM<3:0> = 0000, WAITB and WAITE bits are ignored and forced to 1 TPBCLK cycle for a write operation; WAITB = 1 TPBCLK cycle, WAITE = 0 TPBCLK cycles for a read operation.

2: Address bit A14 is not subject to auto-increment/decrement if configured as Chip Select CS1.

PIC32MX1XX/2XX 28/44-PIN XLP FAMILY

REGISTER 22-2: PPMODE: PARALLEL PORT MODE REGISTER (CONTINUED)

bit 1-0 **WAITE<1:0>**: Data Hold After Read/Write Strobe Wait States bits⁽¹⁾

- 11 = Wait of 4 TPB
- 10 = Wait of 3 TPB
- 01 = Wait of 2 TPB
- 00 = Wait of 1 TPB (default)

For Read operations:

- 11 = Wait of 3 TPB
- 10 = Wait of 2 TPB
- 01 = Wait of 1 TPB
- 00 = Wait of 0 TPB (default)

- Note 1:** Whenever WAITM<3:0> = 0000, WAITB and WAITE bits are ignored and forced to 1 TPBCLK cycle for a write operation; WAITB = 1 TPBCLK cycle, WAITE = 0 TPBCLK cycles for a read operation.
- 2:** Address bit A14 is not subject to auto-increment/decrement if configured as Chip Select CS1.

PIC32MX1XX/2XX 28/44-PIN XLP FAMILY

REGISTER 22-3: PMADDR: PARALLEL PORT ADDRESS REGISTER

| Bit Range | Bit 31/23/15/7 | Bit 30/22/14/6 | Bit 29/21/13/5 | Bit 28/20/12/4 | Bit 27/19/11/3 | Bit 26/18/10/2 | Bit 25/17/9/1 | Bit 24/16/8/0 |
|-----------|----------------|----------------|----------------|----------------|----------------|----------------|---------------|---------------|
| 31:24 | U-0 | U-0 | U-0 | U-0 | U-0 | U-0 | U-0 | U-0 |
| | — | — | — | — | — | — | — | — |
| 23:16 | U-0 | U-0 | U-0 | U-0 | U-0 | U-0 | U-0 | U-0 |
| | — | — | — | — | — | — | — | — |
| 15:8 | U-0 | R/W-0 | U-0 | U-0 | U-0 | R/W-0 | R/W-0 | R/W-0 |
| | — | CS1 | — | — | — | ADDR<10:8> | | |
| 7:0 | R/W-0 | R/W-0 | R/W-0 | R/W-0 | R/W-0 | R/W-0 | R/W-0 | R/W-0 |
| | ADDR<7:0> | | | | | | | |

Legend:

R = Readable bit

W = Writable bit

U = Unimplemented bit, read as '0'

-n = Value at POR

'1' = Bit is set

'0' = Bit is cleared

x = Bit is unknown

bit 31-15 **Unimplemented:** Read as '0'

bit 14 **CS1:** Chip Select 1 bit

1 = Chip Select 1 is active

0 = Chip Select 1 is inactive

bit 13-11 **Unimplemented:** Read as '0'

bit 10-0 **ADDR<10:0>:** Destination Address bits

PIC32MX1XX/2XX 28/44-PIN XLP FAMILY

REGISTER 22-4: PMAEN: PARALLEL PORT PIN ENABLE REGISTER

| Bit Range | Bit 31/23/15/7 | Bit 30/22/14/6 | Bit 29/21/13/5 | Bit 28/20/12/4 | Bit 27/19/11/3 | Bit 26/18/10/2 | Bit 25/17/9/1 | Bit 24/16/8/0 |
|-----------|----------------|----------------|----------------|----------------|----------------|----------------|---------------|---------------|
| 31:24 | U-0 | U-0 | U-0 | U-0 | U-0 | U-0 | U-0 | U-0 |
| | — | — | — | — | — | — | — | — |
| 23:16 | U-0 | U-0 | U-0 | U-0 | U-0 | U-0 | U-0 | U-0 |
| | — | — | — | — | — | — | — | — |
| 15:8 | U-0 | R/W-0 | U-0 | U-0 | U-0 | R/W-0 | R/W-0 | R/W-0 |
| | — | PTEN14 | — | — | — | PTEN<10:8> | | |
| 7:0 | R/W-0 | R/W-0 | R/W-0 | R/W-0 | R/W-0 | R/W-0 | R/W-0 | R/W-0 |
| | PTEN<7:0> | | | | | | | |

Legend:

R = Readable bit
-n = Value at POR

W = Writable bit
'1' = Bit is set

U = Unimplemented bit, read as '0'
'0' = Bit is cleared
x = Bit is unknown

bit 31-15 **Unimplemented:** Read as '0'

bit 15-14 **PTEN14:** PMCS1 Address Port Enable bits
1 = PMA14 functions as either PMA14 or PMCS1⁽¹⁾
0 = PMA14 functions as port I/O

bit 13-11 **Unimplemented:** Read as '0'

bit 10-2 **PTEN<10:2>:** PMP Address Port Enable bits
1 = PMA<10:2> function as PMP address lines
0 = PMA<10:2> function as port I/O

bit 1-0 **PTEN<1:0>:** PMALH/PMALL Address Port Enable bits
1 = PMA1 and PMA0 function as either PMA<1:0> or PMALH and PMALL⁽²⁾
0 = PMA1 and PMA0 pads functions as port I/O

Note 1: The use of this pin as PMA14 or CS1 is selected by the CSF<1:0> bits in the PMCON register.

2: The use of these pins as PMA1/PMA0 or PMALH/PMALL depends on the Address/Data Multiplex mode selected by bits ADRMUX<1:0> in the PMCON register.

PIC32MX1XX/2XX 28/44-PIN XLP FAMILY

REGISTER 22-5: PMSTAT: PARALLEL PORT STATUS REGISTER (SLAVE MODES ONLY)

| Bit Range | Bit 31/23/15/7 | Bit 30/22/14/6 | Bit 29/21/13/5 | Bit 28/20/12/4 | Bit 27/19/11/3 | Bit 26/18/10/2 | Bit 25/17/9/1 | Bit 24/16/8/0 |
|-----------|----------------|----------------|----------------|----------------|----------------|----------------|---------------|---------------|
| 31:24 | U-0 | U-0 | U-0 | U-0 | U-0 | U-0 | U-0 | U-0 |
| | — | — | — | — | — | — | — | — |
| 23:16 | U-0 | U-0 | U-0 | U-0 | U-0 | U-0 | U-0 | U-0 |
| | — | — | — | — | — | — | — | — |
| 15:8 | R-0 | R/W-0, HSC | U-0 | U-0 | R-0 | R-0 | R-0 | R-0 |
| | IBF | IBOV | — | — | IB3F | IB2F | IB1F | IB0F |
| 7:0 | R-1 | R/W-0, HSC | U-0 | U-0 | R-1 | R-1 | R-1 | R-1 |
| | OBE | OBUF | — | — | OB3E | OB2E | OB1E | OB0E |

| | |
|-------------------|--|
| Legend: | HSC = Set by Hardware; Cleared by Software |
| R = Readable bit | W = Writable bit U = Unimplemented bit, read as '0' |
| -n = Value at POR | '1' = Bit is set '0' = Bit is cleared x = Bit is unknown |

bit 31-16 **Unimplemented:** Read as '0'

bit 15 **IBF:** Input Buffer Full Status bit

- 1 = All writable input buffer registers are full
- 0 = Some or all of the writable input buffer registers are empty

bit 14 **IBOV:** Input Buffer Overflow Status bit

- 1 = A write attempt to a full input byte buffer occurred (must be cleared in software)
- 0 = No overflow occurred

bit 13-12 **Unimplemented:** Read as '0'

bit 11-8 **IBxF:** Input Buffer 'x' Status Full bits

- 1 = Input Buffer contains data that has not been read (reading buffer will clear this bit)
- 0 = Input Buffer does not contain any unread data

bit 7 **OBE:** Output Buffer Empty Status bit

- 1 = All readable output buffer registers are empty
- 0 = Some or all of the readable output buffer registers are full

bit 6 **OBUF:** Output Buffer Underflow Status bit

- 1 = A read occurred from an empty output byte buffer (must be cleared in software)
- 0 = No underflow occurred

bit 5-4 **Unimplemented:** Read as '0'

bit 3-0 **OBxE:** Output Buffer 'x' Status Empty bits

- 1 = Output buffer is empty (writing data to the buffer will clear this bit)
- 0 = Output buffer contains data that has not been transmitted

PIC32MX1XX/2XX 28/44-PIN XLP FAMILY

REGISTER 22-6: PMWADDR: PARALLEL PORT WRITE ADDRESS REGISTER

| Bit Range | Bit 31/23/15/7 | Bit 30/22/14/6 | Bit 29/21/13/5 | Bit 28/20/12/4 | Bit 27/19/11/3 | Bit 26/18/10/2 | Bit 25/17/9/1 | Bit 24/16/8/0 |
|-----------|----------------|----------------|----------------|----------------|----------------|----------------|---------------|---------------|
| 31:24 | U-0 | U-0 | U-0 | U-0 | U-0 | U-0 | U-0 | U-0 |
| | — | — | — | — | — | — | — | — |
| 23:16 | U-0 | U-0 | U-0 | U-0 | U-0 | U-0 | U-0 | U-0 |
| | — | — | — | — | — | — | — | — |
| 15:8 | U-0 | R/W-0 | U-0 | U-0 | U-0 | R/W-0 | R/W-0 | R/W-0 |
| | — | WCS1 | — | — | — | WADDR<10:8> | | |
| 7:0 | R/W-0 | R/W-0 | R/W-0 | R/W-0 | R/W-0 | R/W-0 | R/W-0 | R/W-0 |
| | WADDR<7:0> | | | | | | | |

Legend:

R = Readable bit
-n = Value at POR

W = Writable bit
'1' = Bit is set

U = Unimplemented bit, read as '0'
'0' = Bit is cleared
x = Bit is unknown

bit 31-15 **Unimplemented:** Read as '0'

bit 14 **WCS1:** Chip Select 1 bit
1 = Chip Select 1 is active
0 = Chip Select 1 is inactive

bit 14-11 **Unimplemented:** Read as '0'

bit 10-0 **WADDR<10:0>:** Address bits

Note: This register is only used when the DUALBUF bit (PMCON<17>) is set to '1'.

PIC32MX1XX/2XX 28/44-PIN XLP FAMILY

REGISTER 22-7: PMRADDR: PARALLEL PORT READ ADDRESS REGISTER

| Bit Range | Bit 31/23/15/7 | Bit 30/22/14/6 | Bit 29/21/13/5 | Bit 28/20/12/4 | Bit 27/19/11/3 | Bit 26/18/10/2 | Bit 25/17/9/1 | Bit 24/16/8/0 |
|-----------|----------------|----------------|----------------|----------------|----------------|----------------|---------------|---------------|
| 31:24 | U-0 | U-0 | U-0 | U-0 | U-0 | U-0 | U-0 | U-0 |
| | — | — | — | — | — | — | — | — |
| 23:16 | U-0 | U-0 | U-0 | U-0 | U-0 | U-0 | U-0 | U-0 |
| | — | — | — | — | — | — | — | — |
| 15:8 | U-0 | R/W-0 | U-0 | U-0 | U-0 | R/W-0 | R/W-0 | R/W-0 |
| | — | RCS1 | — | — | — | RADDR<10:8> | | |
| 7:0 | R/W-0 | R/W-0 | R/W-0 | R/W-0 | R/W-0 | R/W-0 | R/W-0 | R/W-0 |
| | RADDR<7:0> | | | | | | | |

Legend:

R = Readable bit

W = Writable bit

U = Unimplemented bit, read as '0'

-n = Value at POR

'1' = Bit is set

'0' = Bit is cleared

x = Bit is unknown

bit 31-15 **Unimplemented:** Read as '0'

bit 14 **RCS1:** Chip Select 1 bit

1 = Chip Select 1 is active

0 = Chip Select 1 is inactive (RADDR14 function is selected)

bit 13-11 **Unimplemented:** Read as '0'

bit 10-0 **RADDR<13:0>:** Address bits

Note: This register is only used when the DUALBUF bit (PMCON<17>) is set to '1'.

PIC32MX1XX/2XX 28/44-PIN XLP FAMILY

REGISTER 22-8: PMRDIN: PARALLEL PORT READ INPUT DATA REGISTER

| Bit Range | Bit 31/23/15/7 | Bit 30/22/14/6 | Bit 29/21/13/5 | Bit 28/20/12/4 | Bit 27/19/11/3 | Bit 26/18/10/2 | Bit 25/17/9/1 | Bit 24/16/8/0 |
|-----------|----------------|----------------|----------------|----------------|----------------|----------------|---------------|---------------|
| 31:24 | U-0 | U-0 | U-0 | U-0 | U-0 | U-0 | U-0 | U-0 |
| | — | — | — | — | — | — | — | — |
| 23:16 | U-0 | U-0 | U-0 | U-0 | U-0 | U-0 | U-0 | U-0 |
| | — | — | — | — | — | — | — | — |
| 15:8 | R/W-0 | R/W-0 | R/W-0 | R/W-0 | R/W-0 | R/W-0 | R/W-0 | R/W-0 |
| | RDATAIN<15:8> | | | | | | | |
| 7:0 | R/W-0 | R/W-0 | R/W-0 | R/W-0 | R/W-0 | R/W-0 | R/W-0 | R/W-0 |
| | RDATAIN<7:0> | | | | | | | |

Legend:

R = Readable bit

W = Writable bit

U = Unimplemented bit, read as '0'

-n = Value at POR

'1' = Bit is set

'0' = Bit is cleared

x = Bit is unknown

bit 31-16 **Unimplemented:** Read as '0'

bit 15-0 **RDATAIN<15:0>:** Port Read Input Data bits

Note: This register is only used when the DUALBUF bit (PMCON<17>) is set to '1' and exclusively for reads. If the DUALBUF bit is '0', the PMDIN register is used for reads instead of PMRDIN.

PIC32MX1XX/2XX 28/44-PIN XLP FAMILY

23.0 REAL-TIME CLOCK AND CALENDAR (RTCC)

Note: This data sheet summarizes the features of the PIC32MX1XX/2XX 28/44-pin XLP Family of devices. It is not intended to be a comprehensive reference source. To complement the information in this data sheet, refer to **Section 29. “Real-Time Clock and Calendar (RTCC)”** (DS60001125), which is available from the *Documentation > Reference Manual* section of the Microchip PIC32 web site (www.microchip.com/pic32).

The PIC32 RTCC module is intended for applications in which accurate time must be maintained for extended periods of time with minimal or no CPU intervention. Low-power optimization provides extended battery lifetime while keeping track of time.

The RTCC module can operate in VBAT mode when there is a power loss on the VDD pin. The RTCC will continue to operate if the VBAT pin is powered on (it is usually connected to the battery).

The following are some of the key features of the RTCC module:

- Time: hours, minutes and seconds
- 24-hour format (military time)
- Visibility of one-half second period
- Provides calendar: day, date, month and year
- Alarm intervals are configurable for half of a second, one second, 10 seconds, one minute, 10 minutes, one hour, one day, one week, one month and one year
- Alarm repeat with decrementing counter
- Alarm with indefinite repeat: Chime
- Year range: 2000 to 2099
- Leap year correction
- BCD format for smaller firmware overhead
- Optimized for long-term battery operation
- Fractional second synchronization
- User calibration of the clock crystal frequency with auto-adjust
- Calibration range: ± 0.66 seconds error per month
- Calibrates up to 260 ppm of crystal error
- Requirements: External 32.768 kHz clock crystal
- Alarm pulse or seconds clock output on RTCC pin

PIC32MX1XX/2XX 28/44-PIN XLP FAMILY

FIGURE 23-1: RTCC BLOCK DIAGRAM



23.1 RTCC Control Registers

TABLE 23-1: RTCC REGISTER MAP

| Virtual Address (BF80_#) | Register Name ⁽¹⁾ | Bit Range | Bits | | | | | | | | | | | | | | | All Resets |
|-----------------------------|---------------------------------|-----------|-------------|------------|------------|----------|-------------|-------|-----------------|-----------------|------------|------|---------|--------------|-------------|---------|-------|------------|
| | | | 31/15 | 30/14 | 29/13 | 28/12 | 27/11 | 26/10 | 25/9 | 24/8 | 23/7 | 22/6 | 21/5 | 20/4 | 19/3 | 18/2 | 17/1 | |
| 0200 | RTCCON | 31:16 | — | — | — | — | — | — | CAL<9:0> | | | | | | | | | 0000 |
| | | 15:0 | ON | — | SIDL | — | — | — | RTCCCLKSEL<1:0> | RTCCOUTSEL<1:0> | RTCCCLKON | — | — | RTCWREN | RTCSYNC | HALFSEC | RTCOE | 0000 |
| 0210 | RTCALRM | 31:16 | — | — | — | — | — | — | — | — | — | — | — | — | — | — | — | 0000 |
| | | 15:0 | ALRMEN | CHIME | PIV | ALRMSYNC | AMASK<3:0> | | | ARPT<7:0> | | | | | | | 0000 | |
| 0220 | RTCTIME | 31:16 | — | — | HR10<1:0> | | HR01<3:0> | | | — | MIN10<2:0> | | | MIN01<3:0> | | | xxxx | |
| | | 15:0 | — | SEC10<2:0> | | | SEC01<3:0> | | | — | — | — | — | — | — | — | — | xx00 |
| 0230 | RTCDATE | 31:16 | YEAR10<3:0> | | | | YEAR01<3:0> | | | — | — | — | MONTH10 | MONTH01<3:0> | | | xxxx | |
| | | 15:0 | — | — | DAY10<1:0> | | DAY01<3:0> | | | — | — | — | — | WDAY01<2:0> | | xx00 | | |
| 0240 | ALRMTIME | 31:16 | — | — | HR10<1:0> | | HR01<3:0> | | | — | MIN10<2:0> | | | MIN01<3:0> | | | xxxx | |
| | | 15:0 | — | SEC10<2:0> | | | SEC01<3:0> | | | — | — | — | — | — | — | — | xx00 | |
| 0250 | ALRMDATE | 31:16 | — | — | — | — | — | — | — | — | — | — | MONTH10 | MONTH01<3:0> | | | 00xx | |
| | | 15:0 | DAY10<3:0> | | | | DAY01<3:0> | | | — | — | — | — | — | WDAY01<2:0> | | xx0x | |

Legend: x = unknown value on Reset; — = unimplemented, read as '0'. Reset values are shown in hexadecimal.

Note 1: All registers in this table have corresponding CLR, SET and INV registers at its virtual address, plus an offset of 0x4, 0x8 and 0xC, respectively. See [12.2 "CLR, SET and INV Registers"](#) for more information.

PIC32MX1XX/2XX 28/44-PIN XLP FAMILY

REGISTER 23-1: RTCCON: REAL-TIME CLOCK AND CALENDAR CONTROL REGISTER

| Bit Range | Bit 31/23/15/7 | Bit 30/22/14/6 | Bit 29/21/13/5 | Bit 28/20/12/4 | Bit 27/19/11/3 | Bit 26/18/10/2 | Bit 25/17/9/1 | Bit 24/16/8/0 |
|-----------|------------------------------|----------------|----------------|----------------|-------------------------|----------------|------------------------|------------------------------|
| 31:24 | U-0 | U-0 | U-0 | U-0 | U-0 | U-0 | R/W-0 | R/W-0 |
| | — | — | — | — | — | — | CAL<9:8> | |
| 23:16 | R/W-0 | R/W-0 | R/W-0 | R/W-0 | R/W-0 | R/W-0 | R/W-0 | R/W-0 |
| | CAL<7:0> | | | | | | | |
| 15:8 | R/W-0 | U-0 | R/W-0 | U-0 | U-0 | R/W-0 | R/W-0 | R/W-0 |
| | ON ⁽¹⁾ | — | SIDL | — | — | RTCCLKSEL<1:0> | | RTC OUTSEL<1> ⁽²⁾ |
| 7:0 | R/W-0 | R-0 | U-0 | U-0 | R/W-0 | R-0 | R-0 | R/W-0 |
| | RTC OUTSEL<0> ⁽²⁾ | RTC CLKON | — | — | RTC WREN ⁽³⁾ | RTC SYNC | HALFSEC ⁽⁴⁾ | RTCOE |

Legend:

R = Readable bit

W = Writable bit

U = Unimplemented bit, read as '0'

-n = Value at POR

'1' = Bit is set

'0' = Bit is cleared

x = Bit is unknown

bit 31-26 **Unimplemented:** Read as '0'

bit 25-16 **CAL<9:0>:** Real-Time Clock Drift Calibration bits, which contain a signed 10-bit integer value

0111111111 = Maximum positive adjustment, adds 511 real-time clock pulses every one minute

•

•

0000000001 = Minimum positive adjustment, adds 1 real-time clock pulse every one minute

0000000000 = No adjustment

1111111111 = Minimum negative adjustment, subtracts 1 real-time clock pulse every one minute

•

•

1000000000 = Minimum negative adjustment, subtracts 512 real-time clock pulses every one minute

bit 15 **ON:** RTCC On bit⁽¹⁾

1 = RTCC module is enabled

0 = RTCC module is disabled

bit 14 **Unimplemented:** Read as '0'

bit 13 **SIDL:** Stop in Idle Mode bit

1 = Disables RTCC operation when CPU enters Idle mode

0 = Continue normal operation when CPU enters Idle mode

bit 12-11 **Unimplemented:** Read as '0'

Note 1: The ON bit is only writable when RTCWREN = 1.

2: Requires RTCOE = 1 (RTCCON<0>) for the output to be active.

3: The RTCWREN bit can be set only when the write sequence is enabled.

4: This bit is read-only. It is cleared to '0' on a write to the seconds bit fields (RTCTIME<14:8>).

Note: This register is reset only on a Power-on Reset (POR).

PIC32MX1XX/2XX 28/44-PIN XLP FAMILY

REGISTER 23-1: RTCCON: REAL-TIME CLOCK AND CALENDAR CONTROL REGISTER (CONTINUED)

- bit 10-9 **RTCCLKSEL<1:0>**: RTCC Clock Select bits
When a new value is written to these bits, the Seconds Value register should also be written to properly reset the clock prescalers in the RTCC.
11 = Reserved
10 = Reserved
01 = RTCC uses the external 32.768 kHz Secondary Oscillator (SOSC)
00 = RTCC uses the internal 32 kHz oscillator (LPRC)
- bit 8-7 **RTCOUTSEL<1:0>**: RTCC Output Data Select bits⁽²⁾
11 = Reserved
10 = RTCC Clock is presented on the RTCC pin
01 = Seconds Clock is presented on the RTCC pin
00 = Alarm Pulse is presented on the RTCC pin when the alarm interrupt is triggered
- bit 6 **RTCCLKON**: RTCC Clock Enable Status bit
1 = RTCC Clock is actively running
0 = RTCC Clock is not running
- bit 5-4 **Unimplemented**: Read as '0'
- bit 3 **RTCWREN**: Real-Time Clock Value Registers Write Enable bit⁽³⁾
1 = Real-Time Clock Value registers can be written to by the user
0 = Real-Time Clock Value registers are locked out from being written to by the user
- bit 2 **RTCSYNC**: Real-Time Clock Value Registers Read Synchronization bit
1 = Real-time clock value registers can change while reading (due to a rollover ripple that results in an invalid data read). If the register is read twice and results in the same data, the data can be assumed to be valid.
0 = Real-time clock value registers can be read without concern about a rollover ripple
- bit 1 **HALFSEC**: Half-Second Status bit⁽⁴⁾
1 = Second half period of a second
0 = First half period of a second
- bit 0 **RTC OE**: RTCC Output Enable bit
1 = RTCC output is enabled
0 = RTCC output is not enabled

- Note 1:** The ON bit is only writable when RTCWREN = 1.
2: Requires RTCOE = 1 (RTCCON<0>) for the output to be active.
3: The RTCWREN bit can be set only when the write sequence is enabled.
4: This bit is read-only. It is cleared to '0' on a write to the seconds bit fields (RTCTIME<14:8>).

Note: This register is reset only on a Power-on Reset (POR).

PIC32MX1XX/2XX 28/44-PIN XLP FAMILY

REGISTER 23-2: RTCALRM: REAL-TIME CLOCK ALARM CONTROL REGISTER

| Bit Range | Bit 31/23/15/7 | Bit 30/22/14/6 | Bit 29/21/13/5 | Bit 28/20/12/4 | Bit 27/19/11/3 | Bit 26/18/10/2 | Bit 25/17/9/1 | Bit 24/16/8/0 |
|--------------------------|----------------------------------|-------------------------------|-----------------------------|-----------------|----------------|----------------|---------------|---------------|
| 31:24 | U-0 — | U-0 — | U-0 — | U-0 — | U-0 — | U-0 — | U-0 — | U-0 — |
| 23:16 | U-0 — | U-0 — | U-0 — | U-0 — | U-0 — | U-0 — | U-0 — | U-0 — |
| 15:8 | R/W-0 ALRMEN ^(1,2) | R/W-0 CHIME ⁽²⁾ | R/W-0 PIV ⁽²⁾ | R-0 ALRMSYNC | R/W-0 | R/W-0 | R/W-0 | R/W-0 |
| 7:0 | R/W-0 | R/W-0 | R/W-0 | R/W-0 | R/W-0 | R/W-0 | R/W-0 | R/W-0 |
| ARPT<7:0> ⁽²⁾ | | | | | | | | |

Legend:

R = Readable bit W = Writable bit U = Unimplemented bit, read as '0'
-n = Value at POR '1' = Bit is set '0' = Bit is cleared x = Bit is unknown

bit 31-16 **Unimplemented:** Read as '0'

bit 15 **ALRMEN:** Alarm Enable bit^(1,2)

- 1 = Alarm is enabled
- 0 = Alarm is disabled

bit 14 **CHIME:** Chime Enable bit⁽²⁾

- 1 = Chime is enabled – ARPT<7:0> is allowed to rollover from 0x00 to 0xFF
- 0 = Chime is disabled – ARPT<7:0> stops once it reaches 0x00

bit 13 **PIV:** Alarm Pulse Initial Value bit⁽²⁾

When ALRMEN = 0, PIV is writable and determines the initial value of the Alarm Pulse.
When ALRMEN = 1, PIV is read-only and returns the state of the Alarm Pulse.

bit 12 **ALRMSYNC:** Alarm Sync bit

- 1 = ARPT<7:0> and ALRMEN may change as a result of a half second rollover during a read.
The ARPT must be read repeatedly until the same value is read twice. This must be done since multiple bits may be changing.
- 0 = ARPT<7:0> and ALRMEN can be read without concerns of rollover because the prescaler is more than 32 real-time clocks away from a half-second rollover

bit 11-8 **AMASK<3:0>:** Alarm Mask Configuration bits⁽²⁾

- 0000 = Every half-second
- 0001 = Every second
- 0010 = Every 10 seconds
- 0011 = Every minute
- 0100 = Every 10 minutes
- 0101 = Every hour
- 0110 = Once a day
- 0111 = Once a week
- 1000 = Once a month
- 1001 = Once a year (except when configured for February 29, once every four years)
- 1010 = Reserved
- 1011 = Reserved
- 11xx = Reserved

- Note 1:** Hardware clears the ALRMEN bit anytime the alarm event occurs, when ARPT<7:0> = 00 and CHIME = 0.
- 2:** This field should not be written when the RTCC ON bit = '1' (RTCCON<15>) and ALRMSYNC = 1.

Note: This register is reset only on a Power-on Reset (POR).

PIC32MX1XX/2XX 28/44-PIN XLP FAMILY

REGISTER 23-2: RTCALRM: REAL-TIME CLOCK ALARM CONTROL REGISTER (CONTINUED)

bit 7-0 **ARPT<7:0>**: Alarm Repeat Counter Value bits⁽²⁾

11111111 = Alarm will trigger 256 times

•
•
•

00000000 = Alarm will trigger one time

The counter decrements on any alarm event. The counter only rolls over from 0x00 to 0xFF if CHIME = 1.

- Note 1:** Hardware clears the ALRMEN bit anytime the alarm event occurs, when ARPT<7:0> = 00 and CHIME = 0.
- 2:** This field should not be written when the RTCC ON bit = '1' (RTCCON<15>) and ALRMSYNC = 1.

| |
|---|
| Note: This register is reset only on a Power-on Reset (POR). |
|---|

PIC32MX1XX/2XX 28/44-PIN XLP FAMILY

REGISTER 23-3: RTCTIME: RTC TIME VALUE REGISTER

| Bit Range | Bit 31/23/15/7 | Bit 30/22/14/6 | Bit 29/21/13/5 | Bit 28/20/12/4 | Bit 27/19/11/3 | Bit 26/18/10/2 | Bit 25/17/9/1 | Bit 24/16/8/0 |
|-----------|----------------|----------------|----------------|----------------|----------------|----------------|---------------|---------------|
| 31:24 | U-0 | U-0 | R/W-x | R/W-x | R/W-x | R/W-x | R/W-x | R/W-x |
| | — | — | HR10<1:0> | | HR01<3:0> | | | |
| 23:16 | U-0 | R/W-x | R/W-x | R/W-x | R/W-x | R/W-x | R/W-x | R/W-x |
| | — | MIN10<2:0> | | | MIN01<3:0> | | | |
| 15:8 | U-0 | R/W-x | R/W-x | R/W-x | R/W-x | R/W-x | R/W-x | R/W-x |
| | — | SEC10<2:0> | | | SEC01<3:0> | | | |
| 7:0 | U-0 | U-0 | U-0 | U-0 | U-0 | U-0 | U-0 | U-0 |
| | — | — | — | — | — | — | — | — |

Legend:

R = Readable bit W = Writable bit U = Unimplemented bit, read as '0'
-n = Value at POR '1' = Bit is set '0' = Bit is cleared x = Bit is unknown

- bit 31-30 **Unimplemented:** Read as '0'
- bit 29-28 **HR10<1:0>:** Binary-Coded Decimal Value of Hours bits, 10s place digit; contains a value from 0 to 2
- bit 27-24 **HR01<3:0>:** Binary-Coded Decimal Value of Hours bits, 1s place digit; contains a value from 0 to 9
- bit 23 **Unimplemented:** Read as '0'
- bit 22-20 **MIN10<2:0>:** Binary-Coded Decimal Value of Minutes bits, 10s place digit; contains a value from 0 to 5
- bit 19-16 **MIN01<3:0>:** Binary-Coded Decimal Value of Minutes bits, 1s place digit; contains a value from 0 to 9
- bit 15 **Unimplemented:** Read as '0'
- bit 14-12 **SEC10<2:0>:** Binary-Coded Decimal Value of Seconds bits, 10s place digit; contains a value from 0 to 5
- bit 11-8 **SEC01<3:0>:** Binary-Coded Decimal Value of Seconds bits, 1s place digit; contains a value from 0 to 9
- bit 7-0 **Unimplemented:** Read as '0'

Note: This register is only writable when RTCWREN = 1 (RTCCON<3>).

PIC32MX1XX/2XX 28/44-PIN XLP FAMILY

REGISTER 23-4: RTCDATE: RTC DATE VALUE REGISTER

| Bit Range | Bit 31/23/15/7 | Bit 30/22/14/6 | Bit 29/21/13/5 | Bit 28/20/12/4 | Bit 27/19/11/3 | Bit 26/18/10/2 | Bit 25/17/9/1 | Bit 24/16/8/0 |
|-----------|----------------|----------------|----------------|----------------|----------------|----------------|---------------|---------------|
| 31:24 | R/W-x | R/W-x | R/W-x | R/W-x | R/W-x | R/W-x | R/W-x | R/W-x |
| | YEAR10<3:0> | | | | YEAR01<3:0> | | | |
| 23:16 | U-0 | U-0 | U-0 | R/W-x | R/W-x | R/W-x | R/W-x | R/W-x |
| | — | — | — | MONTH10 | MONTH01<3:0> | | | |
| 15:8 | U-0 | U-0 | R/W-x | R/W-x | R/W-x | R/W-x | R/W-x | R/W-x |
| | — | — | DAY10<1:0> | | DAY01<3:0> | | | |
| 7:0 | U-0 | U-0 | U-0 | U-0 | U-0 | R/W-x | R/W-x | R/W-x |
| | — | — | — | — | — | WDAY01<2:0> | | |

Legend:

R = Readable bit W = Writable bit U = Unimplemented bit, read as '0'
 -n = Value at POR '1' = Bit is set '0' = Bit is cleared x = Bit is unknown

- bit 31-28 **YEAR10<3:0>**: Binary-Coded Decimal Value of Years bits, 10s place digit; contains a value from 0 to 9
- bit 27-24 **YEAR01<3:0>**: Binary-Coded Decimal Value of Years bits, 1s place digit; contains a value from 0 to 9
- bit 23-21 **Unimplemented**: Read as '0'
- bit 20 **MONTH10**: Binary-Coded Decimal Value of Months bits, 10s place digit; contains a value of 0 or 1
- bit 19-16 **MONTH01<3:0>**: Binary-Coded Decimal Value of Months bits, 1s place digit; contains a value from 0 to 9
- bit 15-14 **Unimplemented**: Read as '0'
- bit 13-12 **DAY10<1:0>**: Binary-Coded Decimal Value of Days bits, 10s place digit; contains a value of 0 to 3
- bit 11-8 **DAY01<3:0>**: Binary-Coded Decimal Value of Days bits, 1s place digit; contains a value from 0 to 9
- bit 7-3 **Unimplemented**: Read as '0'
- bit 2-0 **WDAY01<2:0>**: Binary-Coded Decimal Value of Weekdays bits; contains a value from 0 to 6

Note: This register is only writable when $RTCWREN = 1$ (RTCCON<3>).

PIC32MX1XX/2XX 28/44-PIN XLP FAMILY

REGISTER 23-5: ALRMTIME: ALARM TIME VALUE REGISTER

| Bit Range | Bit 31/23/15/7 | Bit 30/22/14/6 | Bit 29/21/13/5 | Bit 28/20/12/4 | Bit 27/19/11/3 | Bit 26/18/10/2 | Bit 25/17/9/1 | Bit 24/16/8/0 |
|-----------|----------------|----------------|----------------|----------------|----------------|----------------|---------------|---------------|
| 31:24 | U-0 | U-0 | R/W-x | R/W-x | R/W-x | R/W-x | R/W-x | R/W-x |
| | — | — | HR10<1:0> | | HR01<3:0> | | | |
| 23:16 | U-0 | R/W-x | R/W-x | R/W-x | R/W-x | R/W-x | R/W-x | R/W-x |
| | — | MIN10<2:0> | | | MIN01<3:0> | | | |
| 15:8 | U-0 | R/W-x | R/W-x | R/W-x | R/W-x | R/W-x | R/W-x | R/W-x |
| | — | SEC10<2:0> | | | SEC01<3:0> | | | |
| 7:0 | U-0 | U-0 | U-0 | U-0 | U-0 | U-0 | U-0 | U-0 |
| | — | — | — | — | — | — | — | — |

Legend:

R = Readable bit
-n = Value at POR

W = Writable bit
'1' = Bit is set

U = Unimplemented bit, read as '0'
'0' = Bit is cleared
x = Bit is unknown

bit 31-30 **Unimplemented:** Read as '0'

bit 29-28 **HR10<1:0>:** Binary Coded Decimal value of hours bits, 10s place digit; contains a value from 0 to 2

bit 27-24 **HR01<3:0>:** Binary Coded Decimal value of hours bits, 1s place digit; contains a value from 0 to 9

bit 23 **Unimplemented:** Read as '0'

bit 22-20 **MIN10<2:0>:** Binary Coded Decimal value of minutes bits, 10s place digit; contains a value from 0 to 5

bit 19-16 **MIN01<3:0>:** Binary Coded Decimal value of minutes bits, 1s place digit; contains a value from 0 to 9

bit 15 **Unimplemented:** Read as '0'

bit 14-12 **SEC10<2:0>:** Binary Coded Decimal value of seconds bits, 10s place digit; contains a value from 0 to 5

bit 11-8 **SEC01<3:0>:** Binary Coded Decimal value of seconds bits, 1s place digit; contains a value from 0 to 9

bit 7-0 **Unimplemented:** Read as '0'

PIC32MX1XX/2XX 28/44-PIN XLP FAMILY

REGISTER 23-6: ALRMDATE: ALARM DATE VALUE REGISTER

| Bit Range | Bit 31/23/15/7 | Bit 30/22/14/6 | Bit 29/21/13/5 | Bit 28/20/12/4 | Bit 27/19/11/3 | Bit 26/18/10/2 | Bit 25/17/9/1 | Bit 24/16/8/0 |
|-----------|----------------|----------------|----------------|------------------|----------------|----------------|---------------|---------------|
| 31:24 | U-0 — | U-0 — | U-0 — | U-0 — | U-0 — | U-0 — | U-0 — | U-0 — |
| 23:16 | U-0 — | U-0 — | U-0 — | R/W-x MONTH10 | R/W-x | R/W-x | R/W-x | R/W-x |
| 15:8 | U-0 — | U-0 — | R/W-x | R/W-x | R/W-x | R/W-x | R/W-x | R/W-x |
| | | | DAY10<1:0> | | DAY01<3:0> | | | |
| 7:0 | U-0 — | U-0 — | U-0 — | U-0 — | U-0 — | R/W-x | R/W-x | R/W-x |
| | | | | | | WDAY01<2:0> | | |

Legend:

R = Readable bit
-n = Value at POR

W = Writable bit
'1' = Bit is set

U = Unimplemented bit, read as '0'
'0' = Bit is cleared
x = Bit is unknown

- bit 31-21 **Unimplemented:** Read as '0'
- bit 20 **MONTH10:** Binary Coded Decimal value of months bits, 10s place digit; contains a value of 0 or 1
- bit 19-16 **MONTH01<3:0>:** Binary Coded Decimal value of months bits, 1s place digit; contains a value from 0 to 9
- bit 15-14 **Unimplemented:** Read as '0'
- bit 13-12 **DAY10<1:0>:** Binary Coded Decimal value of days bits, 10s place digit; contains a value from 0 to 3
- bit 11-8 **DAY01<3:0>:** Binary Coded Decimal value of days bits, 1s place digit; contains a value from 0 to 9
- bit 7-3 **Unimplemented:** Read as '0'
- bit 2-0 **WDAY01<2:0>:** Binary Coded Decimal value of weekdays bits; contains a value from 0 to 6

PIC32MX1XX/2XX 28/44-PIN XLP FAMILY

NOTES:

PIC32MX1XX/2XX 28/44-PIN XLP FAMILY

24.0 10-BIT ANALOG-TO-DIGITAL CONVERTER (ADC)

Note: This data sheet summarizes the features of the PIC32MX1XX/2XX 28/44-pin XLP Family of devices. It is not intended to be a comprehensive reference source. To complement the information in this data sheet, refer to **Section 17. “10-bit Analog-to-Digital Converter (ADC)”** (DS60001104), which is available from the *Documentation > Reference Manual* section of the Microchip PIC32 web site (www.microchip.com/pic32).

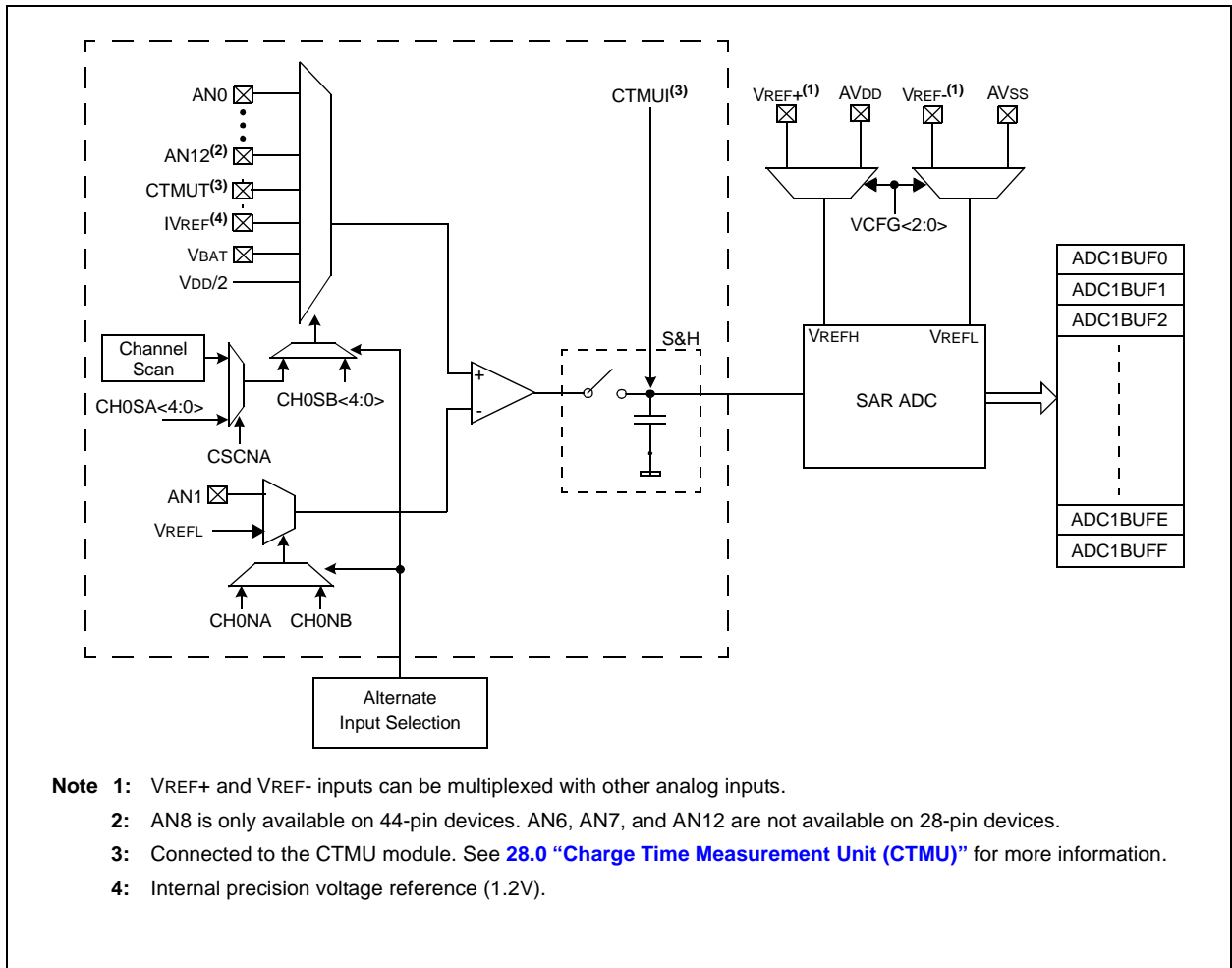
The 10-bit Analog-to-Digital Converter (ADC) includes the following features:

- Successive Approximation Register (SAR) conversion
- Up to 1 Msps conversion speed

- Up to 13 analog input pins
- External voltage reference input pins
- One unipolar, differential Sample and Hold Amplifier (SHA)
- Automatic Channel Scan mode
- Selectable conversion trigger source
- 16-word conversion result buffer
- Selectable buffer fill modes
- Eight conversion result format options
- Operation during Sleep and Idle modes

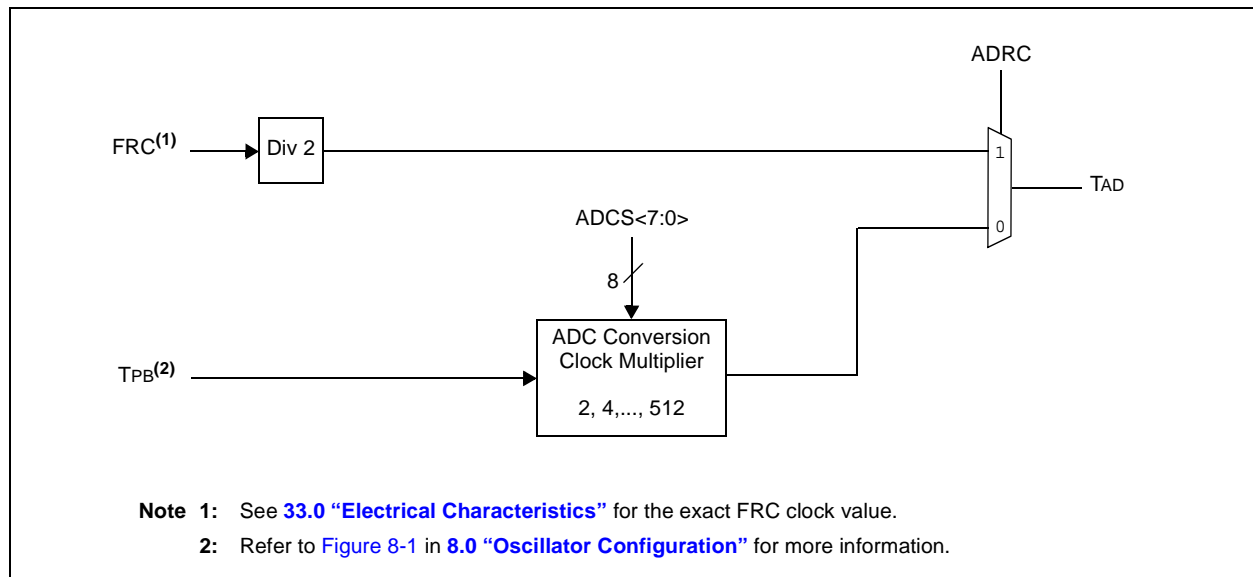
A block diagram of the 10-bit ADC is illustrated in [Figure 24-1](#). [Figure 24-2](#) illustrates a block diagram of the ADC conversion clock period. The 10-bit ADC has up to 13 analog input pins, designated AN0-AN12. In addition, there are two analog input pins for external voltage reference connections. These voltage reference inputs may be shared with other analog input pins and may be common to other analog module references.

FIGURE 24-1: ADC1 MODULE BLOCK DIAGRAM



PIC32MX1XX/2XX 28/44-PIN XLP FAMILY

FIGURE 24-2: ADC CONVERSION CLOCK PERIOD BLOCK DIAGRAM



24.1 ADC Control Registers

TABLE 24-1: ADC REGISTER MAP

| Virtual Address (BF80_#) | Register Name | Bit Range | Bits | | | | | | | | | | | | | | | All Resets | | |
|-----------------------------|------------------------|-----------|------------------------------------|--------|--------|------------|--------|-----------|-------|-------|-----------|-----------|-----------|------------|-------|-------|-------|------------|--------|------|
| | | | 31/15 | 30/14 | 29/13 | 28/12 | 27/11 | 26/10 | 25/9 | 24/8 | 23/7 | 22/6 | 21/5 | 20/4 | 19/3 | 18/2 | 17/1 | | 16/0 | |
| 9000 | AD1CON1 ⁽¹⁾ | 31:16 | — | — | — | — | — | — | — | — | — | — | — | — | — | — | — | 0000 | | |
| | | 15:0 | ON | — | SIDL | — | — | FORM<2:0> | — | — | — | SSRC<2:0> | — | CLRASAM | — | ASAM | SAMP | DONE | 0000 | |
| 9010 | AD1CON2 ⁽¹⁾ | 31:16 | — | — | — | — | — | — | — | — | — | — | — | — | — | — | — | 0000 | | |
| | | 15:0 | VCFG<2:0> | | | OFFCAL | — | CSCNA | — | — | BUFS | — | SMPI<3:0> | | | — | — | BUFM | ALTS | 0000 |
| 9020 | AD1CON3 ⁽¹⁾ | 31:16 | — | — | — | — | — | — | — | — | — | — | — | — | — | — | — | 0000 | | |
| | | 15:0 | ADRC | — | — | SAMC<4:0> | | | | | ADCS<7:0> | | | | | | | 0000 | | |
| 9040 | AD1CHS ⁽¹⁾ | 31:16 | CH0NB | — | — | CH0SB<4:0> | | | | | CH0NA | — | — | CH0SA<4:0> | | | | 0000 | | |
| | | 15:0 | — | — | — | — | — | — | — | — | — | — | — | — | — | — | — | — | 0000 | |
| 9050 | AD1CSSL ⁽¹⁾ | 31:16 | — | — | — | — | — | — | — | — | — | — | — | — | — | — | — | CSSL17 | CSSL16 | 0000 |
| | | 15:0 | CSSL15 | CSSL14 | CSSL13 | CSSL12 | CSSL11 | CSSL10 | CSSL9 | CSSL8 | CSSL7 | CSSL6 | CSSL5 | CSSL4 | CSSL3 | CSSL2 | CSSL1 | CSSL0 | 0000 | |
| 9070 | ADC1BUF0 | 31:16 | ADC Result Word 0 (ADC1BUF0<31:0>) | | | | | | | | | | | | | | | 0000 | | |
| | | 15:0 | | | | | | | | | | | | | | | | 0000 | | |
| 9080 | ADC1BUF1 | 31:16 | ADC Result Word 1 (ADC1BUF1<31:0>) | | | | | | | | | | | | | | | 0000 | | |
| | | 15:0 | | | | | | | | | | | | | | | | 0000 | | |
| 9090 | ADC1BUF2 | 31:16 | ADC Result Word 2 (ADC1BUF2<31:0>) | | | | | | | | | | | | | | | 0000 | | |
| | | 15:0 | | | | | | | | | | | | | | | | 0000 | | |
| 90A0 | ADC1BUF3 | 31:16 | ADC Result Word 3 (ADC1BUF3<31:0>) | | | | | | | | | | | | | | | 0000 | | |
| | | 15:0 | | | | | | | | | | | | | | | | 0000 | | |
| 90B0 | ADC1BUF4 | 31:16 | ADC Result Word 4 (ADC1BUF4<31:0>) | | | | | | | | | | | | | | | 0000 | | |
| | | 15:0 | | | | | | | | | | | | | | | | 0000 | | |
| 90C0 | ADC1BUF5 | 31:16 | ADC Result Word 5 (ADC1BUF5<31:0>) | | | | | | | | | | | | | | | 0000 | | |
| | | 15:0 | | | | | | | | | | | | | | | | 0000 | | |
| 90D0 | ADC1BUF6 | 31:16 | ADC Result Word 6 (ADC1BUF6<31:0>) | | | | | | | | | | | | | | | 0000 | | |
| | | 15:0 | | | | | | | | | | | | | | | | 0000 | | |
| 90E0 | ADC1BUF7 | 31:16 | ADC Result Word 7 (ADC1BUF7<31:0>) | | | | | | | | | | | | | | | 0000 | | |
| | | 15:0 | | | | | | | | | | | | | | | | 0000 | | |
| 90F0 | ADC1BUF8 | 31:16 | ADC Result Word 8 (ADC1BUF8<31:0>) | | | | | | | | | | | | | | | 0000 | | |
| | | 15:0 | | | | | | | | | | | | | | | | 0000 | | |
| 9100 | ADC1BUF9 | 31:16 | ADC Result Word 9 (ADC1BUF9<31:0>) | | | | | | | | | | | | | | | 0000 | | |
| | | 15:0 | | | | | | | | | | | | | | | | 0000 | | |
| 9110 | ADC1BUFA | 31:16 | ADC Result Word A (ADC1BUFA<31:0>) | | | | | | | | | | | | | | | 0000 | | |
| | | 15:0 | | | | | | | | | | | | | | | | 0000 | | |

Legend: x = unknown value on Reset; — = unimplemented, read as '0'. Reset values are shown in hexadecimal.

Note 1: This register has corresponding CLR, SET and INV registers at its virtual address, plus offsets of 0x4, 0x8 and 0xC, respectively. See [12.2 "CLR, SET and INV Registers"](#) for details.

TABLE 24-1: ADC REGISTER MAP (CONTINUED)

| Virtual Address (BF80_#) | Register Name | Bit Range | Bits | | | | | | | | | | | | | | All Resets |
|-----------------------------|------------------|-----------|-------------------------------------|-------|-------|-------|-------|-------|------|------|------|------|------|------|------|------|------------|
| | | | 31/15 | 30/14 | 29/13 | 28/12 | 27/11 | 26/10 | 25/9 | 24/8 | 23/7 | 22/6 | 21/5 | 20/4 | 19/3 | 18/2 | |
| 9120 | ADC1BUF B | 31:16 | ADC Result Word B (ADC1BUF B<31:0>) | | | | | | | | | | | | | | 0000 |
| | | 15:0 | | | | | | | | | | | | | | | 0000 |
| 9130 | ADC1BUF C | 31:16 | ADC Result Word C (ADC1BUF C<31:0>) | | | | | | | | | | | | | | 0000 |
| | | 15:0 | | | | | | | | | | | | | | | 0000 |
| 9140 | ADC1BUF D | 31:16 | ADC Result Word D (ADC1BUF D<31:0>) | | | | | | | | | | | | | | 0000 |
| | | 15:0 | | | | | | | | | | | | | | | 0000 |
| 9150 | ADC1BUF E | 31:16 | ADC Result Word E (ADC1BUF E<31:0>) | | | | | | | | | | | | | | 0000 |
| | | 15:0 | | | | | | | | | | | | | | | 0000 |
| 9160 | ADC1BUF F | 31:16 | ADC Result Word F (ADC1BUF F<31:0>) | | | | | | | | | | | | | | 0000 |
| | | 15:0 | | | | | | | | | | | | | | | 0000 |

Legend: x = unknown value on Reset; — = unimplemented, read as '0'. Reset values are shown in hexadecimal.

Note 1: This register has corresponding CLR, SET and INV registers at its virtual address, plus offsets of 0x4, 0x8 and 0xC, respectively. See 12.2 "CLR, SET and INV Registers" for details.

PIC32MX1XX/2XX 28/44-PIN XLP FAMILY

REGISTER 24-1: AD1CON1: ADC CONTROL REGISTER 1

| Bit Range | Bit 31/23/15/7 | Bit 30/22/14/6 | Bit 29/21/13/5 | Bit 28/20/12/4 | Bit 27/19/11/3 | Bit 26/18/10/2 | Bit 25/17/9/1 | Bit 24/16/8/0 |
|-----------|-------------------|----------------|----------------|----------------|----------------|----------------|---------------------|---------------------|
| 31:24 | U-0 | U-0 | U-0 | U-0 | U-0 | U-0 | U-0 | U-0 |
| | — | — | — | — | — | — | — | — |
| 23:16 | U-0 | U-0 | U-0 | U-0 | U-0 | U-0 | U-0 | U-0 |
| | — | — | — | — | — | — | — | — |
| 15:8 | R/W-0 | U-0 | R/W-0 | U-0 | U-0 | R/W-0 | R/W-0 | R/W-0 |
| | ON ⁽¹⁾ | — | SIDL | — | — | FORM<2:0> | | |
| 7:0 | R/W-0 | R/W-0 | R/W-0 | R/W-0 | U-0 | R/W-0 | R/W-0, HSC | R/C-0, HSC |
| | SSRC<2:0> | | | CLRASAM | — | ASAM | SAMP ⁽²⁾ | DONE ⁽³⁾ |

Legend:

| | | |
|-------------------|------------------|--|
| R = Readable bit | W = Writable bit | U = Unimplemented bit, read as '0' |
| -n = Value at POR | '1' = Bit is set | '0' = Bit is cleared x = Bit is unknown |

bit 31-16 **Unimplemented:** Read as '0'

bit 15 **ON:** ADC Operating Mode bit⁽¹⁾

- 1 = ADC module is operating
- 0 = ADC module is not operating

bit 14 **Unimplemented:** Read as '0'

bit 13 **SIDL:** Stop in Idle Mode bit

- 1 = Discontinue module operation when device enters Idle mode
- 0 = Continue module operation when the device enters Idle mode

bit 12-11 **Unimplemented:** Read as '0'

bit 10-8 **FORM<2:0>:** Data Output Format bits

- 111 = Signed Fractional 32-bit (DOUT = sddd dddd dd00 0000 0000 0000 0000)
- 110 = Fractional 32-bit (DOUT = dddd dddd dd00 0000 0000 0000 0000 0000)
- 101 = Signed Integer 32-bit (DOUT = ssss ssss ssss ssss ssss sssd dddd dddd)
- 100 = Integer 32-bit (DOUT = 0000 0000 0000 0000 0000 00dd dddd dddd)
- 011 = Signed Fractional 16-bit (DOUT = 0000 0000 0000 0000 sddd dddd dd00 0000)
- 010 = Fractional 16-bit (DOUT = 0000 0000 0000 0000 dddd dddd dd00 0000)
- 001 = Signed Integer 16-bit (DOUT = 0000 0000 0000 0000 ssss sssd dddd dddd)
- 000 = Integer 16-bit (DOUT = 0000 0000 0000 0000 00dd dddd dddd)

bit 7-5 **SSRC<2:0>:** Conversion Trigger Source Select bits

- 111 = Internal counter ends sampling and starts conversion (auto convert)
- 110 = Reserved
- 101 = Reserved
- 100 = Reserved
- 011 = CTMU ends sampling and starts conversion
- 010 = Timer 3 period match ends sampling and starts conversion
- 001 = Active transition on INT0 pin ends sampling and starts conversion
- 000 = Clearing SAMP bit ends sampling and starts conversion

Note 1: When using 1:1 PBCLK divisor, the user's software should not read/write the peripheral's SFRs in the SYSCLK cycle immediately following the instruction that clears the module's ON bit.

2: If ASAM = 0, software can write a '1' to start sampling. This bit is automatically set by hardware if ASAM = 1. If SSRC = 0, software can write a '0' to end sampling and start conversion. If SSRC ≠ '0', this bit is automatically cleared by hardware to end sampling and start conversion.

3: This bit is automatically set by hardware when analog-to-digital conversion is complete. Software can write a '0' to clear this bit (a write of '1' is not allowed). Clearing this bit does not affect any operation already in progress. This bit is automatically cleared by hardware at the start of a new conversion.

PIC32MX1XX/2XX 28/44-PIN XLP FAMILY

REGISTER 24-1: AD1CON1: ADC CONTROL REGISTER 1 (CONTINUED)

- bit 4 **CLRASAM:** Stop Conversion Sequence bit (when the first ADC interrupt is generated)
1 = Stop conversions when the first ADC interrupt is generated. Hardware clears the ASAM bit when the ADC interrupt is generated.
0 = Normal operation, buffer contents will be overwritten by the next conversion sequence
- bit 3 **Unimplemented:** Read as '0'
- bit 2 **ASAM:** ADC Sample Auto-Start bit
1 = Sampling begins immediately after last conversion completes; SAMP bit is automatically set.
0 = Sampling begins when SAMP bit is set
- bit 1 **SAMP:** ADC Sample Enable bit⁽²⁾
1 = The ADC sample and hold amplifier is sampling
0 = The ADC sample/hold amplifier is holding
When ASAM = 0, writing '1' to this bit starts sampling.
When SSRC = 000, writing '0' to this bit will end sampling and start conversion.
- bit 0 **DONE:** Analog-to-Digital Conversion Status bit⁽³⁾
1 = Analog-to-digital conversion is done
0 = Analog-to-digital conversion is not done or has not started
Clearing this bit will not affect any operation in progress.

- Note 1:** When using 1:1 PBCLK divisor, the user's software should not read/write the peripheral's SFRs in the SYSCLK cycle immediately following the instruction that clears the module's ON bit.
- 2:** If ASAM = 0, software can write a '1' to start sampling. This bit is automatically set by hardware if ASAM = 1. If SSRC = 0, software can write a '0' to end sampling and start conversion. If SSRC ≠ '0', this bit is automatically cleared by hardware to end sampling and start conversion.
- 3:** This bit is automatically set by hardware when analog-to-digital conversion is complete. Software can write a '0' to clear this bit (a write of '1' is not allowed). Clearing this bit does not affect any operation already in progress. This bit is automatically cleared by hardware at the start of a new conversion.

PIC32MX1XX/2XX 28/44-PIN XLP FAMILY

REGISTER 24-2: AD1CON2: ADC CONTROL REGISTER 2

| Bit Range | Bit 31/23/15/7 | Bit 30/22/14/6 | Bit 29/21/13/5 | Bit 28/20/12/4 | Bit 27/19/11/3 | Bit 26/18/10/2 | Bit 25/17/9/1 | Bit 24/16/8/0 |
|-----------|----------------|----------------|----------------|----------------|----------------|----------------|---------------|---------------|
| 31:24 | U-0 | U-0 | U-0 | U-0 | U-0 | U-0 | U-0 | U-0 |
| | — | — | — | — | — | — | — | — |
| 23:16 | U-0 | U-0 | U-0 | U-0 | U-0 | U-0 | U-0 | U-0 |
| | — | — | — | — | — | — | — | — |
| 15:8 | R/W-0 | R/W-0 | R/W-0 | R/W-0 | U-0 | R/W-0 | U-0 | U-0 |
| | VCFG<2:0> | | | OFFCAL | — | CSCNA | — | — |
| 7:0 | R-0 | U-0 | R/W-0 | R/W-0 | R/W-0 | R/W-0 | R/W-0 | R/W-0 |
| | BUFS | — | SMPI<3:0> | | | | BUFM | ALTS |

Legend:

R = Readable bit W = Writable bit U = Unimplemented bit, read as '0'
 -n = Value at POR '1' = Bit is set '0' = Bit is cleared x = Bit is unknown

bit 31-16 **Unimplemented:** Read as '0'

bit 15-13 **VCFG<2:0>**: Voltage Reference Configuration bits

| | VREFH | VREFL |
|-----|--------------------|--------------------|
| 000 | AVDD | AVss |
| 001 | External VREF+ pin | AVss |
| 010 | AVDD | External VREF- pin |
| 011 | External VREF+ pin | External VREF- pin |
| 1xx | AVDD | AVss |

bit 12 **OFFCAL:** Input Offset Calibration Mode Select bit

1 = Enable Offset Calibration mode

Positive and negative inputs of the sample and hold amplifier are connected to VREFL

0 = Disable Offset Calibration mode

The inputs to the sample and hold amplifier are controlled by AD1CHS or AD1CSSL

bit 11 **Unimplemented:** Read as '0'

bit 10 **CSCNA:** Input Scan Select bit

1 = Scan inputs

0 = Do not scan inputs

bit 9-8 **Unimplemented:** Read as '0'

bit 7 **BUFS:** Buffer Fill Status bit

Only valid when BUFM = 1.

1 = ADC is currently filling buffer 0x8-0xF, user should access data in 0x0-0x7

0 = ADC is currently filling buffer 0x0-0x7, user should access data in 0x8-0xF

bit 6 **Unimplemented:** Read as '0'

bit 5-2 **SMPI<3:0>**: Sample/Convert Sequences Per Interrupt Selection bits

1111 = Interrupts at the completion of conversion for each 16th sample/convert sequence

1110 = Interrupts at the completion of conversion for each 15th sample/convert sequence

•

•

•

0001 = Interrupts at the completion of conversion for each 2nd sample/convert sequence

0000 = Interrupts at the completion of conversion for each sample/convert sequence

bit 1 **BUFM:** ADC Result Buffer Mode Select bit

1 = Buffer configured as two 8-word buffers, ADC1BUF7-ADC1BUF0, ADC1BUFF-ADC1BUF8

0 = Buffer configured as one 16-word buffer ADC1BUFF-ADC1BUF0

bit 0 **ALTS:** Alternate Input Sample Mode Select bit

1 = Uses Sample A input multiplexer settings for first sample, then alternates between Sample B and Sample A input multiplexer settings for all subsequent samples

0 = Always use Sample A input multiplexer settings

PIC32MX1XX/2XX 28/44-PIN XLP FAMILY

REGISTER 24-3: AD1CON3: ADC CONTROL REGISTER 3

| Bit Range | Bit 31/23/15/7 | Bit 30/22/14/6 | Bit 29/21/13/5 | Bit 28/20/12/4 | Bit 27/19/11/3 | Bit 26/18/10/2 | Bit 25/17/9/1 | Bit 24/16/8/0 |
|-----------|--------------------------|----------------|----------------|--------------------------|----------------|----------------|---------------|---------------|
| 31:24 | U-0 — | U-0 — | U-0 — | U-0 — | U-0 — | U-0 — | U-0 — | U-0 — |
| 23:16 | U-0 — | U-0 — | U-0 — | U-0 — | U-0 — | U-0 — | U-0 — | U-0 — |
| 15:8 | R/W-0 | U-0 | U-0 | R/W-0 | R/W-0 | R/W-0 | R/W-0 | R/W-0 |
| | ADRC | — | — | SAMC<4:0> ⁽¹⁾ | | | | |
| 7:0 | R/W-0 | R/W-0 | R/W-0 | R/W-0 | R/W-0 | R/W-0 | R/W | R/W-0 |
| | ADCS<7:0> ⁽²⁾ | | | | | | | |

Legend:

R = Readable bit W = Writable bit U = Unimplemented bit, read as '0'
 -n = Value at POR '1' = Bit is set '0' = Bit is cleared x = Bit is unknown

bit 31-16 **Unimplemented:** Read as '0'

bit 15 **ADRC:** ADC Conversion Clock Source bit
 1 = Clock derived from FRC
 0 = Clock derived from Peripheral Bus Clock (PBCLK)

bit 14-13 **Unimplemented:** Read as '0'

bit 12-8 **SAMC<4:0>:** Auto-Sample Time bits⁽¹⁾

11111 = 31 TAD

-
-
-

00001 = 1 TAD

00000 = 0 TAD (Not allowed)

bit 7-0 **ADCS<7:0>:** ADC Conversion Clock Select bits⁽²⁾

11111111 = $TPB \cdot 2 \cdot (ADCS<7:0> + 1) = 512 \cdot TPB = TAD$

-
-
-

00000001 = $TPB \cdot 2 \cdot (ADCS<7:0> + 1) = 4 \cdot TPB = TAD$

00000000 = $TPB \cdot 2 \cdot (ADCS<7:0> + 1) = 2 \cdot TPB = TAD$

Note 1: This bit is only used if the SSRC<2:0> bits (AD1CON1<7:5>) = 111.

2: This bit is not used if the ADRC (AD1CON3<15>) bit = 1.

PIC32MX1XX/2XX 28/44-PIN XLP FAMILY

REGISTER 24-4: AD1CHS: ADC INPUT SELECT REGISTER

| Bit Range | Bit 31/23/15/7 | Bit 30/22/14/6 | Bit 29/21/13/5 | Bit 28/20/12/4 | Bit 27/19/11/3 | Bit 26/18/10/2 | Bit 25/17/9/1 | Bit 24/16/8/0 |
|-----------|----------------|----------------|----------------|----------------|----------------|----------------|---------------|---------------|
| 31:24 | R/W-0 | U-0 | U-0 | R/W-0 | R/W-0 | R/W-0 | R/W-0 | R/W-0 |
| | CH0NB | — | — | CH0SB<4:0> | | | | |
| 23:16 | R/W-0 | U-0 | U-0 | R/W-0 | R/W-0 | R/W-0 | R/W-0 | R/W-0 |
| | CH0NA | — | — | CH0SA<4:0> | | | | |
| 15:8 | U-0 | U-0 | U-0 | U-0 | U-0 | U-0 | U-0 | U-0 |
| | — | — | — | — | — | — | — | — |
| 7:0 | U-0 | U-0 | U-0 | U-0 | U-0 | U-0 | U-0 | U-0 |
| | — | — | — | — | — | — | — | — |

Legend:

| | | |
|-------------------|------------------|--|
| R = Readable bit | W = Writable bit | U = Unimplemented bit, read as '0' |
| -n = Value at POR | '1' = Bit is set | '0' = Bit is cleared x = Bit is unknown |

bit 31 **CH0NB:** Negative Input Select bit for Sample B

- 1 = Channel 0 negative input is AN1
- 0 = Channel 0 negative input is VREFL

bit 30-29 **Unimplemented:** Read as '0'

bit 28-24 **CH0SB<4:0>:** Positive Input Select bits for Sample B

11111 = Reserved

-
-
-

10010 = Reserved

10001 = Channel 0 positive input is VDD/2

10000 = Channel 0 positive input is VBAT

01111 = Reserved

01110 = Channel 0 positive input is IVREF⁽¹⁾

01101 = Channel 0 positive input is CTMU temperature sensor (CTMUT)⁽²⁾

01100 = Channel 0 positive input is AN12⁽³⁾

-
-
-

00001 = Channel 0 positive input is AN1

00000 = Channel 0 positive input is AN0

bit 23 **CH0NA:** Negative Input Select bit for Sample A Multiplexer Setting⁽¹⁾

- 1 = Channel 0 negative input is AN1
- 0 = Channel 0 negative input is VREFL

bit 22-21 **Unimplemented:** Read as '0'

Note 1: See 26.0 “Comparator Voltage Reference (CVREF)” for more information.

Note 2: See 28.0 “Charge Time Measurement Unit (CTMU)” for more information.

Note 3: AN12 is only available on 44-pin devices. AN6-AN8 are not available on 28-pin devices.

PIC32MX1XX/2XX 28/44-PIN XLP FAMILY

REGISTER 24-4: AD1CHS: ADC INPUT SELECT REGISTER (CONTINUED)

bit 20-16 **CH0SA<4:0>**: Positive Input Select bits for Sample A Multiplexer Setting

11111 = Reserved

•
•
•

10010 = Reserved

10001 = Channel 0 positive input is VDD/2

10000 = Channel 0 positive input is VBAT

01111 = Reserved

01110 = Channel 0 positive input is IVREF⁽¹⁾

01101 = Channel 0 positive input is CTMU temperature sensor (CTMUT)⁽²⁾

01100 = Channel 0 positive input is AN12⁽³⁾

•
•
•

00001 = Channel 0 positive input is AN1

00000 = Channel 0 positive input is AN0

bit 15-0 **Unimplemented**: Read as '0'

- Note 1:** See [26.0 “Comparator Voltage Reference \(CVREF\)”](#) for more information.
2: See [28.0 “Charge Time Measurement Unit \(CTMU\)”](#) for more information.
3: AN12 is only available on 44-pin devices. AN6-AN8 are not available on 28-pin devices.

PIC32MX1XX/2XX 28/44-PIN XLP FAMILY

REGISTER 24-5: AD1CSSL: ADC INPUT SCAN SELECT REGISTER

| Bit Range | Bit 31/23/15/7 | Bit 30/22/14/6 | Bit 29/21/13/5 | Bit 28/20/12/4 | Bit 27/19/11/3 | Bit 26/18/10/2 | Bit 25/17/9/1 | Bit 24/16/8/0 |
|-----------|----------------|----------------|----------------|----------------|----------------|----------------|---------------|---------------|
| 31:24 | U-0 | U-0 | U-0 | U-0 | U-0 | U-0 | U-0 | U-0 |
| | — | — | — | — | — | — | — | — |
| 23:16 | U-0 | U-0 | U-0 | U-0 | U-0 | U-0 | R/W-0 | R/W-0 |
| | — | — | — | — | — | — | CSSL17 | CSSL16 |
| 15:8 | R/W-0 | R/W-0 | R/W-0 | R/W-0 | R/W-0 | R/W-0 | R/W-0 | R/W-0 |
| | CSSL15 | CSSL14 | CSSL13 | CSSL12 | CSSL11 | CSSL10 | CSSL9 | CSSL8 |
| 7:0 | R/W-0 | R/W-0 | R/W-0 | R/W-0 | R/W-0 | R/W-0 | R/W-0 | R/W-0 |
| | CSSL7 | CSSL6 | CSSL5 | CSSL4 | CSSL3 | CSSL2 | CSSL1 | CSSL0 |

Legend:

R = Readable bit

W = Writable bit

U = Unimplemented bit, read as '0'

-n = Value at POR

'1' = Bit is set

'0' = Bit is cleared

x = Bit is unknown

bit 31-18 **Unimplemented:** Read as '0'

bit 17-0 **CSSL<17:0>:** ADC Input Pin Scan Selection bits^(1,2)

1 = Select ANx for input scan

0 = Skip ANx for input scan

Note 1: CSSL = ANx, where 'x' = 0-12; CSSL13 selects CTMUT input for scan; CSSL14 selects IVREF for scan; CSSL15 selects Vss for scan; CSSL16 selects VBAT; CSSL17 selects VDD/2.

2: On devices with less than 13 analog inputs, all CSSLx bits can be selected; however, inputs selected for scan without a corresponding input on the device will convert to VREFL.

PIC32MX1XX/2XX 28/44-PIN XLP FAMILY

NOTES:

PIC32MX1XX/2XX 28/44-PIN XLP FAMILY

25.0 COMPARATOR

Note: This data sheet summarizes the features of the PIC32MX1XX/2XX 28/44-pin XLP Family of devices. It is not intended to be a comprehensive reference source. To complement the information in this data sheet, refer to **Section 19. “Comparator”** (DS60001110), which is available from the *Documentation > Reference Manual* section of the Microchip PIC32 web site (www.microchip.com/pic32).

The following are key features of the Comparator module:

- Selectable inputs available include:
 - Analog inputs multiplexed with I/O pins
 - On-chip internal absolute voltage reference (IVREF)
 - Comparator voltage reference (CVREF)
- Outputs can be Inverted
- Selectable interrupt generation

A block diagram of the comparator module is provided in [Figure 25-1](#).

The Analog Comparator module contains three comparators that can be configured in a variety of ways.

FIGURE 25-1: COMPARATOR BLOCK DIAGRAM



25.1 Comparator Control Registers

TABLE 25-1: COMPARATOR REGISTER MAP

| Virtual Address (BF80_#) | Register Name ⁽¹⁾ | Bit Range | Bits | | | | | | | | | | | | | | | All Resets |
|--------------------------|------------------------------|-----------|-------|-------|-------|-------|-------|-------|------|------|------------|------|------|------|------|-------|----------|------------|
| | | | 31/15 | 30/14 | 29/13 | 28/12 | 27/11 | 26/10 | 25/9 | 24/8 | 23/7 | 22/6 | 21/5 | 20/4 | 19/3 | 18/2 | 17/1 | |
| A000 | CM1CON | 31:16 | — | — | — | — | — | — | — | — | — | — | — | — | — | — | — | 0000 |
| | | 15:0 | ON | COE | CPOL | — | — | — | — | COUT | EVPOL<1:0> | — | CREF | — | — | — | CCH<1:0> | 00C3 |
| A010 | CM2CON | 31:16 | — | — | — | — | — | — | — | — | — | — | — | — | — | — | — | 0000 |
| | | 15:0 | ON | COE | CPOL | — | — | — | — | COUT | EVPOL<1:0> | — | CREF | — | — | — | CCH<1:0> | 00C3 |
| A020 | CM3CON | 31:16 | — | — | — | — | — | — | — | — | — | — | — | — | — | — | — | 0000 |
| | | 15:0 | ON | COE | CPOL | — | — | — | — | COUT | EVPOL<1:0> | — | CREF | — | — | — | CCH<1:0> | 00C3 |
| A060 | CMSTAT | 31:16 | — | — | — | — | — | — | — | — | — | — | — | — | — | — | — | 0000 |
| | | 15:0 | — | — | SIDL | — | — | — | — | — | — | — | — | — | — | C3OUT | C2OUT | C1OUT |

Legend: x = unknown value on Reset; — = unimplemented, read as '0'. Reset values are shown in hexadecimal.

Note 1: All registers in this table have corresponding CLR, SET and INV registers at their virtual addresses, plus offsets of 0x4, 0x8 and 0xC, respectively. See 12.2 “CLR, SET and INV Registers” for more information.

PIC32MX1XX/2XX 28/44-PIN XLP FAMILY

REGISTER 25-1: CMXCON: COMPARATOR CONTROL REGISTER

| Bit Range | Bit 31/23/15/7 | Bit 30/22/14/6 | Bit 29/21/13/5 | Bit 28/20/12/4 | Bit 27/19/11/3 | Bit 26/18/10/2 | Bit 25/17/9/1 | Bit 24/16/8/0 |
|-----------|----------------------------|----------------|------------------------------|----------------|----------------|----------------|-------------------|---------------|
| 31:24 | U-0 — | U-0 — | U-0 — | U-0 — | U-0 — | U-0 — | U-0 — | U-0 — |
| 23:16 | U-0 — | U-0 — | U-0 — | U-0 — | U-0 — | U-0 — | U-0 — | U-0 — |
| 15:8 | R/W-0 ON ⁽¹⁾ | R/W-0 COE | R/W-0 CPOL ⁽²⁾ | U-0 — | U-0 — | U-0 — | U-0 — | R-0 COUT |
| 7:0 | R/W-1 EVPOL<1:0> | | U-0 — | R/W-0 CREF | U-0 — | U-0 — | R/W-1 CCH<1:0> | R/W-1 |

Legend:

R = Readable bit W = Writable bit U = Unimplemented bit, read as '0'
 -n = Value at POR '1' = Bit is set '0' = Bit is cleared x = Bit is unknown

- bit 31-16 **Unimplemented:** Read as '0'
- bit 15 **ON:** Comparator ON bit⁽¹⁾
 - 1 = Module is enabled. Setting this bit does not affect the other bits in this register
 - 0 = Module is disabled and does not consume current. Clearing this bit does not affect the other bits in this register
- bit 14 **COE:** Comparator Output Enable bit
 - 1 = Comparator output is driven on the output CxOUT pin
 - 0 = Comparator output is not driven on the output CxOUT pin
- bit 13 **CPOL:** Comparator Output Inversion bit⁽²⁾
 - 1 = Output is inverted
 - 0 = Output is not inverted
- bit 12-9 **Unimplemented:** Read as '0'
- bit 8 **COUT:** Comparator Output bit
 - 1 = Output of the Comparator is a '1'
 - 0 = Output of the Comparator is a '0'
- bit 7-6 **EVPOL<1:0>:** Interrupt Event Polarity Select bits
 - 11 = Comparator interrupt is generated on a low-to-high or high-to-low transition of the comparator output
 - 10 = Comparator interrupt is generated on a high-to-low transition of the comparator output
 - 01 = Comparator interrupt is generated on a low-to-high transition of the comparator output
 - 00 = Comparator interrupt generation is disabled
- bit 5 **Unimplemented:** Read as '0'
- bit 4 **CREF:** Comparator Positive Input Configure bit
 - 1 = Comparator non-inverting input is connected to the internal CVREF
 - 0 = Comparator non-inverting input is connected to the CxINA pin
- bit 3-2 **Unimplemented:** Read as '0'
- bit 1-0 **CCH<1:0>:** Comparator Negative Input Select bits for Comparator
 - 11 = Comparator inverting input is connected to the IVREF
 - 10 = Comparator inverting input is connected to the CxIND pin
 - 01 = Comparator inverting input is connected to the CxINC pin
 - 00 = Comparator inverting input is connected to the CxINB pin

- Note 1:** When using the 1:1 PBCLK divisor, the user's software should not read/write the peripheral's SFRs in the SYSCLK cycle immediately following the instruction that clears the module's ON bit.
- 2:** Setting this bit will invert the signal to the comparator interrupt generator as well. This will result in an interrupt being generated on the opposite edge from the one selected by EVPOL<1:0>.

PIC32MX1XX/2XX 28/44-PIN XLP FAMILY

REGISTER 25-2: CMSTAT: COMPARATOR STATUS REGISTER

| Bit Range | Bit 31/23/15/7 | Bit 30/22/14/6 | Bit 29/21/13/5 | Bit 28/20/12/4 | Bit 27/19/11/3 | Bit 26/18/10/2 | Bit 25/17/9/1 | Bit 24/16/8/0 |
|-----------|----------------|----------------|----------------|----------------|----------------|----------------|---------------|---------------|
| 31:24 | U-0 | U-0 | U-0 | U-0 | U-0 | U-0 | U-0 | U-0 |
| | — | — | — | — | — | — | — | — |
| 23:16 | U-0 | U-0 | U-0 | U-0 | U-0 | U-0 | U-0 | U-0 |
| | — | — | — | — | — | — | — | — |
| 15:8 | U-0 | U-0 | R/W-0 | U-0 | U-0 | U-0 | U-0 | U-0 |
| | — | — | SIDL | — | — | — | — | — |
| 7:0 | U-0 | U-0 | U-0 | U-0 | U-0 | R-0 | R-0 | R-0 |
| | — | — | — | — | — | C3OUT | C2OUT | C1OUT |

Legend:

R = Readable bit W = Writable bit U = Unimplemented bit, read as '0'
 -n = Value at POR '1' = Bit is set '0' = Bit is cleared x = Bit is unknown

bit 31-14 **Unimplemented:** Read as '0'

bit 13 **SIDL:** Stop in Idle Control bit

- 1 = All Comparator modules are disabled when the device enters Idle mode
- 0 = All Comparator modules continue to operate when the device enters Idle mode

bit 12-3 **Unimplemented:** Read as '0'

bit 2 **C3OUT:** Comparator Output bit

- 1 = Output of Comparator 3 is a '1'
- 0 = Output of Comparator 3 is a '0'

bit 1 **C2OUT:** Comparator Output bit

- 1 = Output of Comparator 2 is a '1'
- 0 = Output of Comparator 2 is a '0'

bit 0 **C1OUT:** Comparator Output bit

- 1 = Output of Comparator 1 is a '1'
- 0 = Output of Comparator 1 is a '0'

PIC32MX1XX/2XX 28/44-PIN XLP FAMILY

26.0 COMPARATOR VOLTAGE REFERENCE (CVREF)

Note: This data sheet summarizes the features of the PIC32MX1XX/2XX 28/44-pin XLP Family of devices. It is not intended to be a comprehensive reference source. To complement the information in this data sheet, refer to **Section 20. “Comparator Voltage Reference (CVREF)”** (DS60001109), which is available from the *Documentation > Reference Manual* section of the Microchip PIC32 web site (www.microchip.com/pic32).

The CVREF module is a 16-tap, resistor ladder network that provides a selectable reference voltage. Although its primary purpose is to provide a reference for the analog comparators, it also may be used independently of them.

The resistor ladder is segmented to provide two ranges of voltage reference values and has a power-down function to conserve power when the reference is not being used. The module’s supply reference can be provided from either device V_{DD}/V_{SS} or an external voltage reference. The CVREF output is available for the comparators and typically available for pin output.

The comparator voltage reference has the following features:

- High and low range selection
- Sixteen output levels available for each range
- Internally connected to comparators to conserve device pins
- Output can be connected to a pin

A block diagram of the module is shown in [Figure 26-1](#).

FIGURE 26-1: COMPARATOR VOLTAGE REFERENCE BLOCK DIAGRAM



26.1 Comparator Voltage Reference Control Register

TABLE 26-1: COMPARATOR VOLTAGE REFERENCE REGISTER MAP

| Virtual Address (BF80_#) | Register Name | Bit Range | Bits | | | | | | | | | | | | | | | All Resets |
|-----------------------------|------------------|-----------|-------|-------|-------|-------|-------|-------|------|------|------|------|-------|------|-------|----------|------|------------|
| | | | 31/15 | 30/14 | 29/13 | 28/12 | 27/11 | 26/10 | 25/9 | 24/8 | 23/7 | 22/6 | 21/5 | 20/4 | 19/3 | 18/2 | 17/1 | |
| 9800 | CVRCON | 31:16 | — | — | — | — | — | — | — | — | — | — | — | — | — | — | — | 0000 |
| | | 15:0 | ON | — | — | — | — | — | — | — | — | — | CVROE | CVRR | CVRSS | CVR<3:0> | | |

Legend: x = unknown value on Reset; — = unimplemented, read as '0'. Reset values are shown in hexadecimal.

Note 1: All registers in this table have corresponding CLR, SET and INV registers at their virtual addresses, plus offsets of 0x4, 0x8 and 0xC, respectively. See [12.2 "CLR, SET and INV Registers"](#) for more information.

PIC32MX1XX/2XX 28/44-PIN XLP FAMILY

REGISTER 26-1: CVRCON: COMPARATOR VOLTAGE REFERENCE CONTROL REGISTER

| Bit Range | Bit 31/23/15/7 | Bit 30/22/14/6 | Bit 29/21/13/5 | Bit 28/20/12/4 | Bit 27/19/11/3 | Bit 26/18/10/2 | Bit 25/17/9/1 | Bit 24/16/8/0 |
|-----------|----------------------------|----------------|----------------|----------------|----------------|----------------|---------------|---------------|
| 31:24 | U-0 — | U-0 — | U-0 — | U-0 — | U-0 — | U-0 — | U-0 — | U-0 — |
| 23:16 | U-0 — | U-0 — | U-0 — | U-0 — | U-0 — | U-0 — | U-0 — | U-0 — |
| 15:8 | R/W-0 ON ⁽¹⁾ | U-0 — | U-0 — | U-0 — | U-0 — | U-0 — | U-0 — | U-0 — |
| 7:0 | U-0 — | R/W-0 CVROE | R/W-0 CVRR | R/W-0 CVRSS | CVR<3:0> | | | |

Legend:

R = Readable bit W = Writable bit U = Unimplemented bit, read as '0'
 -n = Value at POR '1' = Bit is set '0' = Bit is cleared x = Bit is unknown

bit 31-16 **Unimplemented:** Read as '0'

bit 15 **ON:** Comparator Voltage Reference On bit⁽¹⁾

1 = Module is enabled

Setting this bit does not affect other bits in the register.

0 = Module is disabled and does not consume current.

Clearing this bit does not affect the other bits in the register.

bit 14-7 **Unimplemented:** Read as '0'

bit 6 **CVROE:** CVREFOUT Enable bit

1 = Voltage level is output on CVREFOUT pin

0 = Voltage level is disconnected from CVREFOUT pin

bit 5 **CVRR:** CVREF Range Selection bit

1 = 0 to 0.67 CVRSRC, with CVRSRC/24 step size

0 = 0.25 CVRSRC to 0.75 CVRSRC, with CVRSRC/32 step size

bit 4 **CVRSS:** CVREF Source Selection bit

1 = Comparator voltage reference source, CVRSRC = (VREF+) – (VREF-)

0 = Comparator voltage reference source, CVRSRC = AVDD – AVSS

bit 3-0 **CVR<3:0>:** CVREF Value Selection $0 \leq \text{CVR}<3:0> \leq 15$ bits

When CVRR = 1:

$$\text{CVREF} = (\text{CVR}<3:0>/24) \cdot (\text{CVRSRC})$$

When CVRR = 0:

$$\text{CVREF} = 1/4 \cdot (\text{CVRSRC}) + (\text{CVR}<3:0>/32) \cdot (\text{CVRSRC})$$

Note 1: When using 1:1 PBCLK divisor, the user's software should not read/write the peripheral's SFRs in the SYSCLK cycle immediately following the instruction that clears the module's ON bit.

PIC32MX1XX/2XX 28/44-PIN XLP FAMILY

NOTES:

PIC32MX1XX/2XX 28/44-PIN XLP FAMILY

27.0 HIGH/LOW-VOLTAGE DETECT (HLVD)

Note: This data sheet summarizes the features of the PIC32MX1XX/2XX XLP family of devices. It is not intended to be a comprehensive reference source. To complement the information in this data sheet, refer to **Section 38. “High/Low-Voltage Detect (HLVD)”**, which is available from the *Documentation > Reference Manual* section of the Microchip PIC32 web site (www.microchip.com/pic32).

The High/Low-Voltage Detect (HLVD) module is a programmable circuit that can be used to specify both the device voltage trip point and the direction of change. When enabled, a HLVD event will act to disable the Flash controller from executing a programming sequence. This module is used to ensure the supply voltage is sufficient for programming.

The HLVD module is an interrupt-driven supply-level detection. The voltage detection monitors the internal power supply.

The HLVD module provides the following features:

- Detection hysteresis
- Detection of low-to-high or high-to-low voltage changes
- Generation of Non-Maskable Interrupts (NMI)
- LVDIN pin to provide external voltage trip point

FIGURE 27-1: PROGRAMMABLE HLVD MODULE BLOCK DIAGRAM



27.1 Control Registers

TABLE 27-1: HIGH/LOW-VOLTAGE DETECT REGISTER MAP

| Virtual Address (BF80_#) | Register Name ⁽¹⁾ | Bit Range | Bits | | | | | | | | | | | | | | | All Resets |
|-----------------------------|---------------------------------|-----------|-------|-------|-------|-------|-------|-------|------|--------|------|------|------|------|------------|------|------|------------|
| | | | 31/15 | 30/14 | 29/13 | 28/12 | 27/11 | 26/10 | 25/9 | 24/8 | 23/7 | 22/6 | 21/5 | 20/4 | 19/3 | 18/2 | 17/1 | |
| 1800 | HLVDCON | 31:16 | — | — | — | — | — | — | — | — | — | — | — | — | — | — | — | 0000 |
| | | 15:0 | ON | — | — | — | VDIR | BGVST | — | HLVDET | — | — | — | — | HLVDL<3:0> | | | 0000 |

Legend: x = unknown value on Reset; — = unimplemented, read as '0'. Reset values are shown in hexadecimal.

Note 1: The register in this table has corresponding CLR, SET and INV registers at their virtual addresses, plus offsets of 0x4, 0x8 and 0xC, respectively. See [Section 13.2 “CLR, SET, and INV Registers”](#) for more information.

PIC32MX1XX/2XX 28/44-PIN XLP FAMILY

REGISTER 27-1: HLVDCON: HIGH/LOW-VOLTAGE DETECT CONTROL REGISTER

| Bit Range | Bit 31/23/15/7 | Bit 30/22/14/6 | Bit 29/21/13/5 | Bit 28/20/12/4 | Bit 27/19/11/3 | Bit 26/18/10/2 | Bit 25/17/9/1 | Bit 24/16/8/0 |
|-----------|----------------|----------------|----------------|----------------|---------------------------|----------------|---------------|---------------|
| 31:24 | U-0 | U-0 | U-0 | U-0 | U-0 | U-0 | U-0 | U-0 |
| | — | — | — | — | — | — | — | — |
| 23:16 | U-0 | U-0 | U-0 | U-0 | U-0 | U-0 | U-0 | U-0 |
| | — | — | — | — | — | — | — | — |
| 15:8 | R/W-0 | U-0 | U-0 | U-0 | R/W-0 | R/W-0 | U-0 | R/W-0 |
| | ON | — | — | — | VDIR ⁽¹⁾ | BGVST | — | HLVDET |
| 7:0 | U-0 | U-0 | U-0 | U-0 | R/W-0 | R/W-0 | R/W-0 | R/W-0 |
| | — | — | — | — | HLVDL<3:0> ⁽¹⁾ | | | |

| | | |
|-------------------|-------------------|--|
| Legend: | HS = Hardware Set | HC = Hardware Cleared |
| R = Readable bit | W = Writable bit | U = Unimplemented bit, read as '0' |
| -n = Value at POR | '1' = Bit is set | '0' = Bit is cleared x = Bit is unknown |

bit 31-16 **Unimplemented:** Read as '0'

bit 15 **ON:** HLVD Module Enable bit
 1 = HLVD module is enabled
 0 = HLVD module is disabled

bit 14-12 **Unimplemented:** Read as '0'

bit 11 **VDIR:** Voltage Change Direction Select bit⁽¹⁾
 1 = Event occurs when voltage equals or exceeds trip point (HLVDL<3:0>)
 0 = Event occurs when voltage equals or falls below trip point (HLVDL<3:0>)

bit 10 **BGVST:** Band Gap Reference Voltages Stable Status bit
 1 = Indicates internal band gap voltage references is stable
 0 = Indicates internal band gap voltage reference is not stable
 This bit is readable when the HLVD module is disabled (ON = 0).

bit 9 **Unimplemented:** Read as '0'

bit 8 **HLVDET:** High/Low-Voltage Detection Event Status bit
 1 = Indicates HLVD Event interrupt is active
 0 = Indicates HLVD Event interrupt is not active

bit 7-4 **Unimplemented:** Read as '0'

Note 1: To avoid false HLVD events, all HLVD module setting changes should occur only when the module is disabled (ON = 0). See [Table 33-6](#) in the “**Electrical Characteristics**” chapter for the actual trip points.

PIC32MX1XX/2XX 28/44-PIN XLP FAMILY

REGISTER 27-1: HLVDCON: HIGH/LOW-VOLTAGE DETECT CONTROL REGISTER

bit 3-0 **HLVDL<3:0>**: High/Low-Voltage Detection Limit Select bits⁽¹⁾

1111 = External LVDIN pin
1110 = Reserved; do not use
1101 = Reserved; do not use
1100 = Reserved; do not use
1011 = Reserved; do not use
1010 = Selects Trip Point 10
1001 = Selects Trip Point 9
1000 = Selects Trip Point 8
0111 = Selects Trip Point 7
0110 = Selects Trip Point 6
0101 = Selects Trip Point 5
0100 = Selects Trip Point 4
0011 = Reserved; do not use
0010 = Reserved; do not use
0001 = Reserved; do not use
0000 = Reserved; do not use

Note 1: To avoid false HLVD events, all HLVD module setting changes should occur only when the module is disabled (ON = 0). See [Table 33-6](#) in the “**Electrical Characteristics**” chapter for the actual trip points.

28.0 CHARGE TIME MEASUREMENT UNIT (CTMU)

Note: This data sheet summarizes the features of the PIC32MX1XX/2XX 28/44-pin XLP Family of devices. It is not intended to be a comprehensive reference source. To complement the information in this data sheet, refer to **Section 37. “Charge Time Measurement Unit (CTMU)”** (DS60001167), which is available from the *Documentation > Reference Manual* section of the Microchip PIC32 web site (www.microchip.com/pic32).

The Charge Time Measurement Unit (CTMU) is a flexible analog module that has a configurable current source with a digital configuration circuit built around it. The CTMU can be used for differential time measurement between pulse sources and can be used for generating an asynchronous pulse. By working with other on-chip analog modules, the CTMU can be used for high resolution time measurement, measure capacitance, measure relative changes in capacitance or generate output pulses with a specific time delay. The CTMU is ideal for interfacing with capacitive-based sensors.

The CTMU module includes the following key features:

- Up to 13 channels available for capacitive or time measurement input
- On-chip precision current source
- 16-edge input trigger sources
- Selection of edge or level-sensitive inputs
- Polarity control for each edge source
- Control of edge sequence
- Control of response to edges
- High precision time measurement
- Time delay of external or internal signal asynchronous to system clock
- Integrated temperature sensing diode
- Control of current source during auto-sampling
- Four current source ranges
- Time measurement resolution of one nanosecond

A block diagram of the CTMU is shown in [Figure 28-1](#).

FIGURE 28-1: CTMU BLOCK DIAGRAM



28.1 CTMU Control Registers

TABLE 28-1: CTMU REGISTER MAP

| Virtual Address (BF80_#) | Register Name ⁽¹⁾ | Bit Range | Bits | | | | | | | | | | | | | | All Resets | |
|-----------------------------|---------------------------------|-----------|---------|---------|--------------|-------|-------|----------|----------|----------|------------|---------|--------------|------|------|-----------|------------|------|
| | | | 31/15 | 30/14 | 29/13 | 28/12 | 27/11 | 26/10 | 25/9 | 24/8 | 23/7 | 22/6 | 21/5 | 20/4 | 19/3 | 18/2 | | 17/1 |
| A200 | CTMUCON | 31:16 | EDG1MOD | EDG1POL | EDG1SEL<3:0> | | | | EDG2STAT | EDG1STAT | EDG2MOD | EDG2POL | EDG2SEL<3:0> | | | — | — | 0000 |
| | | 15:0 | ON | — | CTMUSIDL | TGEN | EDGEN | EDGSEQEN | IDISSEN | CTTRIG | ITRIM<5:0> | | | | | IRNG<1:0> | | 0000 |

Legend: x = unknown value on Reset; — = unimplemented, read as '0'. Reset values are shown in hexadecimal.

Note 1: All registers in this table have corresponding CLR, SET and INV registers at its virtual address, plus an offset of 0x4, 0x8 and 0xC, respectively. See [12.2 "CLR, SET and INV Registers"](#) for more information.

PIC32MX1XX/2XX 28/44-PIN XLP FAMILY

REGISTER 28-1: CTMUCON: CTMU CONTROL REGISTER

| Bit Range | Bit 31/23/15/7 | Bit 30/22/14/6 | Bit 29/21/13/5 | Bit 28/20/12/4 | Bit 27/19/11/3 | Bit 26/18/10/2 | Bit 25/17/9/1 | Bit 24/16/8/0 |
|-----------|----------------|----------------|----------------|---------------------|----------------|----------------|------------------------|---------------|
| 31:24 | R/W-0 | R/W-0 | R/W-0 | R/W-0 | R/W-0 | R/W-0 | R/W-0 | R/W-0 |
| | EDG1MOD | EDG1POL | EDG1SEL<3:0> | | | | EDG2STAT | EDG1STAT |
| 23:16 | R/W-0 | R/W-0 | R/W-0 | R/W-0 | R/W-0 | R/W-0 | U-0 | U-0 |
| | EDG2MOD | EDG2POL | EDG2SEL<3:0> | | | | — | — |
| 15:8 | R/W-0 | U-0 | R/W-0 | R/W-0 | R/W-0 | R/W-0 | R/W-0 | R/W-0 |
| | ON | — | CTMUSIDL | TGEN ⁽¹⁾ | EDGEN | EDGSEQEN | IDISSEN ⁽²⁾ | CTTRIG |
| 7:0 | R/W-0 | R/W-0 | R/W-0 | R/W-0 | R/W-0 | R/W-0 | R/W-0 | R/W-0 |
| | ITRIM<5:0> | | | | | | IRNG<1:0> | |

Legend:

| | | |
|-------------------|------------------|------------------------------------|
| R = Readable bit | W = Writable bit | U = Unimplemented bit, read as '0' |
| -n = Value at POR | '1' = Bit is set | '0' = Bit is cleared |
| | | x = Bit is unknown |

bit 31 **EDG1MOD:** Edge1 Edge Sampling Select bit

1 = Input is edge-sensitive
0 = Input is level-sensitive

bit 30 **EDG1POL:** Edge 1 Polarity Select bit

1 = Edge1 programmed for a positive edge response
0 = Edge1 programmed for a negative edge response

bit 29-26 **EDG1SEL<3:0>:** Edge 1 Source Select bits

1111 = C3OUT pin is selected
1110 = C2OUT pin is selected
1101 = C1OUT pin is selected
1100 = IC3 Capture Event is selected
1011 = IC2 Capture Event is selected
1010 = IC1 Capture Event is selected
1001 = CTED8 pin is selected
1000 = CTED7 pin is selected
0111 = CTED6 pin is selected
0110 = CTED5 pin is selected
0101 = CTED4 pin is selected
0100 = CTED3 pin is selected
0011 = CTED1 pin is selected
0010 = CTED2 pin is selected
0001 = OC1 Compare Event is selected
0000 = Timer1 Event is selected

bit 25 **EDG2STAT:** Edge2 Status bit

Indicates the status of Edge2 and can be written to control edge source
1 = Edge2 has occurred
0 = Edge2 has not occurred

Note 1: When this bit is set for Pulse Delay Generation, the EDG2SEL<3:0> bits must be set to '1110' to select C2OUT.

2: The ADC module Sample and Hold capacitor is not automatically discharged between sample/conversion cycles. Software using the ADC as part of a capacitive measurement, must discharge the ADC capacitor before conducting the measurement. The IDISSEN bit, when set to '1', performs this function. The ADC module must be sampling while the IDISSEN bit is active to connect the discharge sink to the capacitor array.

3: Refer to the CTMU Current Source Specifications (Table 33-42) in **33.0 "Electrical Characteristics"** for current values.

4: This bit setting is not available for the CTMU temperature diode.

PIC32MX1XX/2XX 28/44-PIN XLP FAMILY

REGISTER 28-1: CTMUCON: CTMU CONTROL REGISTER (CONTINUED)

- bit 24 **EDG1STAT:** Edge1 Status bit
Indicates the status of Edge1 and can be written to control edge source
1 = Edge1 has occurred
0 = Edge1 has not occurred
- bit 23 **EDG2MOD:** Edge2 Edge Sampling Select bit
1 = Input is edge-sensitive
0 = Input is level-sensitive
- bit 22 **EDG2POL:** Edge 2 Polarity Select bit
1 = Edge2 programmed for a positive edge response
0 = Edge2 programmed for a negative edge response
- bit 21-18 **EDG2SEL<3:0>:** Edge 2 Source Select bits
1111 = C3OUT pin is selected
1110 = C2OUT pin is selected
1101 = C1OUT pin is selected
1100 = PBCLK clock is selected
1011 = IC3 Capture Event is selected
1010 = IC2 Capture Event is selected
1001 = IC1 Capture Event is selected
1000 = CTED13 pin is selected
0111 = CTED12 pin is selected
0110 = CTED11 pin is selected
0101 = CTED10 pin is selected
0100 = CTED9 pin is selected
0011 = CTED1 pin is selected
0010 = CTED2 pin is selected
0001 = OC1 Compare Event is selected
0000 = Timer1 Event is selected
- bit 17-16 **Unimplemented:** Read as '0'
- bit 15 **ON:** ON Enable bit
1 = Module is enabled
0 = Module is disabled
- bit 14 **Unimplemented:** Read as '0'
- bit 13 **CTMUSIDL:** Stop in Idle Mode bit
1 = Discontinue module operation when the device enters Idle mode
0 = Continue module operation when the device enters Idle mode
- bit 12 **TGEN:** Time Generation Enable bit⁽¹⁾
1 = Enables edge delay generation
0 = Disables edge delay generation
- bit 11 **EDGEN:** Edge Enable bit
1 = Edges are not blocked
0 = Edges are blocked

- Note 1:** When this bit is set for Pulse Delay Generation, the EDG2SEL<3:0> bits must be set to '1110' to select C2OUT.
- 2:** The ADC module Sample and Hold capacitor is not automatically discharged between sample/conversion cycles. Software using the ADC as part of a capacitive measurement, must discharge the ADC capacitor before conducting the measurement. The IDISSEN bit, when set to '1', performs this function. The ADC module must be sampling while the IDISSEN bit is active to connect the discharge sink to the capacitor array.
- 3:** Refer to the CTMU Current Source Specifications (Table 33-42) in **33.0 "Electrical Characteristics"** for current values.
- 4:** This bit setting is not available for the CTMU temperature diode.

REGISTER 28-1: CTMUCON: CTMU CONTROL REGISTER (CONTINUED)

- bit 10 **EDGSEQEN**: Edge Sequence Enable bit
1 = Edge1 must occur before Edge2 can occur
0 = No edge sequence is needed
- bit 9 **IDISSEN**: Analog Current Source Control bit⁽²⁾
1 = Analog current source output is grounded
0 = Analog current source output is not grounded
- bit 8 **CTTRIG**: Trigger Control bit
1 = Trigger output is enabled
0 = Trigger output is disabled
- bit 7-2 **ITRIM<5:0>**: Current Source Trim bits
011111 = Maximum positive change from nominal current
011110
.
.
.
000001 = Minimum positive change from nominal current
000000 = Nominal current output specified by IRNG<1:0>
111111 = Minimum negative change from nominal current
.
.
.
100010
100001 = Maximum negative change from nominal current
- bit 1-0 **IRNG<1:0>**: Current Range Select bits⁽³⁾
11 = 100 times base current
10 = 10 times base current
01 = Base current level
00 = 1000 times base current⁽⁴⁾

- Note 1:** When this bit is set for Pulse Delay Generation, the EDG2SEL<3:0> bits must be set to '1110' to select C2OUT.
- 2:** The ADC module Sample and Hold capacitor is not automatically discharged between sample/conversion cycles. Software using the ADC as part of a capacitive measurement, must discharge the ADC capacitor before conducting the measurement. The IDISSEN bit, when set to '1', performs this function. The ADC module must be sampling while the IDISSEN bit is active to connect the discharge sink to the capacitor array.
- 3:** Refer to the CTMU Current Source Specifications (Table 33-42) in 33.0 "Electrical Characteristics" for current values.
- 4:** This bit setting is not available for the CTMU temperature diode.

PIC32MX1XX/2XX 28/44-PIN XLP FAMILY

NOTES:

29.0 POWER-SAVING FEATURES

Note: This data sheet summarizes the features of the PIC32MX1XX/2XX 28/44-pin XLP Family of devices. It is not intended to be a comprehensive reference source. To complement the information in this data sheet, refer to **Section 10. “Power-Saving Features”** (DS60001130), which is available from the *Documentation > Reference Manual* section of the Microchip PIC32 web site (www.microchip.com/pic32).

This section describes power-saving features for the PIC32MX1XX/2XX 28/44-pin XLP Family. The PIC32 devices offer a total of nine methods and modes, organized into two categories, that allow the user to balance power consumption with device performance. In all of the methods and modes described in this section, power-saving is controlled by software.

29.1 Power Saving with CPU Running

When the CPU is running, power consumption can be controlled by reducing the CPU clock frequency, lowering the PBCLK and by individually disabling modules. These methods are grouped into the following categories:

- FRC Run mode: the CPU is clocked from the FRC clock source with or without postscalers
- LPRC Run mode: the CPU is clocked from the LPRC clock source
- Sosc Run mode: the CPU is clocked from the Sosc clock source

In addition, the Peripheral Bus Scaling mode is available where peripherals are clocked at the programmable fraction of the CPU clock (SYSCLK).

29.2 CPU Halted Methods

The device supports two power-saving modes, Sleep and Idle, both of which Halt the clock to the CPU. These modes operate with all clock sources, as follows:

- Posc Idle mode: the system clock is derived from the Posc. The system clock source continues to operate. Peripherals continue to operate, but can optionally be individually disabled.
- FRC Idle mode: the system clock is derived from the FRC with or without postscalers. Peripherals continue to operate, but can optionally be individually disabled.
- Sosc Idle mode: the system clock is derived from the Sosc. Peripherals continue to operate, but can optionally be individually disabled.

- LPRC Idle mode: the system clock is derived from the LPRC. Peripherals continue to operate, but can optionally be individually disabled. This is the lowest power mode for the device with a clock running.
- Sleep mode: the CPU, the system clock source and any peripherals that operate from the system clock source are Halted. Some peripherals can operate in Sleep using specific clock sources. This is the lowest power mode for the device.

29.3 Power-Saving Operation

Peripherals and the CPU can be Halted or disabled to further reduce power consumption.

29.3.1 SLEEP MODE

Sleep mode has the lowest power consumption of the device power-saving operating modes. The CPU and most peripherals are Halted. Select peripherals can continue to operate in Sleep mode and can be used to wake the device from Sleep. See the individual peripheral module sections for descriptions of behavior in Sleep.

Sleep mode includes the following characteristics:

- The CPU is halted
- The system clock source is typically shutdown. See **29.3.3 “Peripheral Bus Scaling Method”** for specific information.
- There can be a wake-up delay based on the oscillator selection
- The Fail-Safe Clock Monitor (FSCM) does not operate during Sleep mode
- The BOR circuit remains operative during Sleep mode
- The WDT, if enabled, is not automatically cleared prior to entering Sleep mode
- Some peripherals can continue to operate at limited functionality in Sleep mode. These peripherals include I/O pins that detect a change in the input signal, WDT, ADC, UART and peripherals that use an external clock input or the internal LPRC oscillator (e.g., RTCC, Timer1 and Input Capture).
- I/O pins continue to sink or source current in the same manner as they do when the device is not in Sleep
- The USB module can override the disabling of the Posc or FRC. Refer to the USB section for specific details.
- Modules can be individually disabled by software prior to entering Sleep in order to further reduce consumption

PIC32MX1XX/2XX 28/44-PIN XLP FAMILY

The processor will exit, or 'wake-up', from Sleep on one of the following events:

- On any interrupt from an enabled source that is operating in Sleep. The interrupt priority must be greater than the current CPU priority.
- On any form of device Reset
- On a WDT time-out

If the interrupt priority is lower than or equal to the current priority, the CPU will remain Halted, but the PBCLK will start running and the device will enter into Idle mode.

29.3.2 IDLE MODE

In Idle mode, the CPU is Halted but the System Clock (SYSCLK) source is still enabled. This allows peripherals to continue operation when the CPU is Halted. Peripherals can be individually configured to Halt when entering Idle by setting their respective SIDL bit. Latency, when exiting Idle mode, is very low due to the CPU oscillator source remaining active.

Note 1: Changing the PBCLK divider ratio requires recalculation of peripheral timing. For example, assume the UART is configured for 9600 baud with a PB clock ratio of 1:1 and a Posc of 8 MHz. When the PB clock divisor of 1:2 is used, the input frequency to the baud clock is cut in half; therefore, the baud rate is reduced to 1/2 its former value. Due to numeric truncation in calculations (such as the baud rate divisor), the actual baud rate may be a tiny percentage different than expected. For this reason, any timing calculation required for a peripheral should be performed with the new PB clock frequency instead of scaling the previous value based on a change in the PB divisor ratio.

- 2:** Oscillator start-up and PLL lock delays are applied when switching to a clock source that was disabled and that uses a crystal and/or the PLL. For example, assume the clock source is switched from Posc to LPRC just prior to entering Sleep in order to save power. No oscillator start-up delay would be applied when exiting Idle. However, when switching back to Posc, the appropriate PLL and/or oscillator start-up/lock delays would be applied.

The device enters Idle mode when the SLPEN (OSCCON<4>) bit is clear and a WAIT instruction is executed.

The processor will wake or exit from Idle mode on the following events:

- On any interrupt event for which the interrupt source is enabled. The priority of the interrupt event must be greater than the current priority of the CPU. If the priority of the interrupt event is lower than or equal to current priority of the CPU, the CPU will remain Halted and the device will remain in Idle mode.
- On any form of device Reset
- On a WDT time-out interrupt

29.3.3 PERIPHERAL BUS SCALING METHOD

Most of the peripherals on the device are clocked using the PBCLK. The Peripheral Bus can be scaled relative to the SYSCLK to minimize the dynamic power consumed by the peripherals. The PBCLK divisor is controlled by PBDIV<1:0> (OSCCON<20:19>), allowing SYSCLK to PBCLK ratios of 1:1, 1:2, 1:4 and 1:8. All peripherals using PBCLK are affected when the divisor is changed. Peripherals such as the USB, Interrupt Controller, DMA, and the bus matrix are clocked directly from SYSCLK. As a result, they are not affected by PBCLK divisor changes.

Changing the PBCLK divisor affects:

- The CPU to peripheral access latency. The CPU has to wait for next PBCLK edge for a read to complete. In 1:8 mode, this results in a latency of one to seven SYSCLKs.
- The power consumption of the peripherals. Power consumption is directly proportional to the frequency at which the peripherals are clocked. The greater the divisor, the lower the power consumed by the peripherals.

To minimize dynamic power, the PB divisor should be chosen to run the peripherals at the lowest frequency that provides acceptable system performance. When selecting a PBCLK divider, peripheral clock requirements, such as baud rate accuracy, should be taken into account. For example, the UART peripheral may not be able to achieve all baud rate values at some PBCLK divider depending on the SYSCLK value.

PIC32MX1XX/2XX 28/44-PIN XLP FAMILY

29.3.4 DEEP SLEEP MODE

Deep Sleep mode brings the device into its lowest power consumption state without requiring the use of external switches to remove power from the device.

- **Deep Sleep**

In this mode, the CPU, RAM and most peripherals are powered down. Power is maintained to the DSGPR0 register and one or more of the RTCC, DSWDT and DSGPR1 through DSGPR32 registers.

Which of these peripherals is active depends on the state of the following register bits when Deep Sleep mode is entered:

- **RTCDIS (DSCON<12>)**

This bit must be set to disable the RTCC in Deep Sleep mode (see [Register 29-1](#)).

- **DSWDTEN (DEVCFG2<30>)**

This Configuration bit must be set to enable the DSWDT register in Deep Sleep mode (see [Register 30-3](#))

- **DSGPREN (DSCON<13>)**

This bit must be set to enable the DSGPR1 through DSGPR32 registers in Deep Sleep mode (see [Register 29-1](#)).

Note: The Deep Sleep Control registers can only be accessed after the system unlock sequence has been performed. In addition, the Deep Sleep Control registers must be written twice.

In addition to the conditionally enabled peripherals described above, the MCLR filter and INTO pin are enabled in Deep Sleep mode.

29.3.5 VBAT MODE

VBAT mode is similar to Deep Sleep mode, except that the device is powered from the VBAT pin. VBAT mode is controlled strictly by hardware, without any software intervention. VBAT mode is initiated when VDD falls below VPOR (refer to the [33.0 “Electrical Characteristics”](#) for definitions of VDD and VPOR). An external power source must be connected to the VBAT pin before power is removed from VDD to enter VBAT mode. VBAT is the lowest battery-powered mode that can maintain an RTCC. Wake-up from VBAT mode can only occur when VDD is reapplied. The wake-up will appear to be a POR to the rest of the device.

In VBAT mode, the Deep Sleep Watchdog Timer is disabled. The RTCC and DSGPR1 through DSGPR32 registers may be enabled or disabled depending on the state of the RTCDIS bit (DSCON<12>) and the DSGPREN bit (DSCON<13>), respectively. Deep Sleep Persistent General Purpose Register 0 (DSGPR0) is always enabled in VBAT mode.

29.3.6 XLP POWER-SAVING MODES

[Figure 29-1](#) shows a block diagram of the system domain for XLP devices and the related power-saving features. The various blocks are controlled by the following Configuration bit settings and SFRs:

- DSBOREN (DEVCFG2<20>)
- DSEN (DSCON<15>)
- DSGPREN (DSCON<13>)
- DSWDTEN (DEVCFG2<30>)
- DSWDTOSC (DEVCFG2<29>)
- RELEASE (DSCON<0>)
- RTCCLKSEL (RTCCON <9:8>)
- RTCDIS (DSCON<12>)
- SLPEN (OSCCON<4>)
- VREGS (PWRCON<0>)

PIC32MX1XX/2XX 28/44-PIN XLP FAMILY

FIGURE 29-1: XLP DEVICE BLOCK DIAGRAM



29.4 Deep Sleep (DSCTRL) Control Registers

TABLE 29-1: POWER-SAVING MODES REGISTER SUMMARY

| Virtual Address (BF80_#) | Register Name(2) | Bit Range | Bits | | | | | | | | | | | | | | | | All Resets(1) |
|-----------------------------|-----------------------|-----------|--|-------|---------|--------|-------|-------|------|----------|-------|------|------|-------|-------|--------|---------|-------|---------------|
| | | | 31/15 | 30/14 | 29/13 | 28/12 | 27/11 | 26/10 | 25/9 | 24/8 | 23/7 | 22/6 | 21/5 | 20/4 | 19/3 | 18/2 | 17/1 | 16/0 | |
| 0000 | DSCON | 31:16 | — | — | — | — | — | — | — | — | — | — | — | — | — | — | — | — | 0000 |
| | | 15:0 | DSEN | — | DSGPREN | RTCDIS | — | — | — | RTCCWDIS | — | — | — | — | — | — | WAKEDIS | DSBOR | RELEASE |
| 0010 | DSWAKE | 31:16 | — | — | — | — | — | — | — | — | — | — | — | — | — | — | — | — | 0000 |
| | | 15:0 | — | — | — | — | — | — | — | DSINT0 | DSFLT | — | — | DSWDT | DSRTC | DSMCLR | — | — | 0000 |
| 0020 | DSGPR0 ⁽¹⁾ | 31:16 | Deep Sleep Persistent General Purpose bits <31:16> | | | | | | | | | | | | | | | | 0000 |
| | | 15:0 | Deep Sleep Persistent General Purpose bits <15:0> | | | | | | | | | | | | | | | | 0000 |
| 0040 | DSGPR1 | 31:16 | Deep Sleep Persistent General Purpose bits <31:16> | | | | | | | | | | | | | | | | 0000 |
| | | 15:0 | Deep Sleep Persistent General Purpose bits <15:0> | | | | | | | | | | | | | | | | 0000 |
| 0044 | DSGPR2 | 31:16 | Deep Sleep Persistent General Purpose bits <31:16> | | | | | | | | | | | | | | | | 0000 |
| | | 15:0 | Deep Sleep Persistent General Purpose bits <15:0> | | | | | | | | | | | | | | | | 0000 |
| 0048 | DSGPR3 | 31:16 | Deep Sleep Persistent General Purpose bits <31:16> | | | | | | | | | | | | | | | | 0000 |
| | | 15:0 | Deep Sleep Persistent General Purpose bits <15:0> | | | | | | | | | | | | | | | | 0000 |
| 004C | DSGPR4 | 31:16 | Deep Sleep Persistent General Purpose bits <31:16> | | | | | | | | | | | | | | | | 0000 |
| | | 15:0 | Deep Sleep Persistent General Purpose bits <15:0> | | | | | | | | | | | | | | | | 0000 |
| 0050 | DSGPR5 | 31:16 | Deep Sleep Persistent General Purpose bits <31:16> | | | | | | | | | | | | | | | | 0000 |
| | | 15:0 | Deep Sleep Persistent General Purpose bits <15:0> | | | | | | | | | | | | | | | | 0000 |
| 0054 | DSGPR6 | 31:16 | Deep Sleep Persistent General Purpose bits <31:16> | | | | | | | | | | | | | | | | 0000 |
| | | 15:0 | Deep Sleep Persistent General Purpose bits <15:0> | | | | | | | | | | | | | | | | 0000 |
| 0058 | DSGPR7 | 31:16 | Deep Sleep Persistent General Purpose bits <31:16> | | | | | | | | | | | | | | | | 0000 |
| | | 15:0 | Deep Sleep Persistent General Purpose bits <15:0> | | | | | | | | | | | | | | | | 0000 |
| 005C | DSGPR8 | 31:16 | Deep Sleep Persistent General Purpose bits <31:16> | | | | | | | | | | | | | | | | 0000 |
| | | 15:0 | Deep Sleep Persistent General Purpose bits <15:0> | | | | | | | | | | | | | | | | 0000 |
| 0060 | DSGPR9 | 31:16 | Deep Sleep Persistent General Purpose bits <31:16> | | | | | | | | | | | | | | | | 0000 |
| | | 15:0 | Deep Sleep Persistent General Purpose bits <15:0> | | | | | | | | | | | | | | | | 0000 |
| 0064 | DSGPR10 | 31:16 | Deep Sleep Persistent General Purpose bits <31:16> | | | | | | | | | | | | | | | | 0000 |
| | | 15:0 | Deep Sleep Persistent General Purpose bits <15:0> | | | | | | | | | | | | | | | | 0000 |
| 0068 | DSGPR11 | 31:16 | Deep Sleep Persistent General Purpose bits <31:16> | | | | | | | | | | | | | | | | 0000 |
| | | 15:0 | Deep Sleep Persistent General Purpose bits <15:0> | | | | | | | | | | | | | | | | 0000 |

Legend: — = unimplemented, read as '0'.

Note 1: The DSGPRO register is persistent in all device modes of operation.

Note 2: The Deep Sleep Control registers can only be accessed after the system unlock sequence has been performed. In addition, these registers must be written twice.

TABLE 29-1: POWER-SAVING MODES REGISTER SUMMARY

| Virtual Address (BF80_#) | Register Name(2) | Bit Range | Bits | | | | | | | | | | | | | | | All Resets(1) |
|-----------------------------|---------------------|-----------|--|-------|-------|-------|-------|-------|------|------|------|------|------|------|------|------|------|---------------|
| | | | 31/15 | 30/14 | 29/13 | 28/12 | 27/11 | 26/10 | 25/9 | 24/8 | 23/7 | 22/6 | 21/5 | 20/4 | 19/3 | 18/2 | 17/1 | |
| 006C | DSGPR12 | 31:16 | Deep Sleep Persistent General Purpose bits <31:16> | | | | | | | | | | | | | | | 0000 |
| | | 15:0 | Deep Sleep Persistent General Purpose bits <15:0> | | | | | | | | | | | | | | | 0000 |
| 0070 | DSGPR13 | 31:16 | Deep Sleep Persistent General Purpose bits <31:16> | | | | | | | | | | | | | | | 0000 |
| | | 15:0 | Deep Sleep Persistent General Purpose bits <15:0> | | | | | | | | | | | | | | | 0000 |
| 0074 | DSGPR14 | 31:16 | Deep Sleep Persistent General Purpose bits <31:16> | | | | | | | | | | | | | | | 0000 |
| | | 15:0 | Deep Sleep Persistent General Purpose bits <15:0> | | | | | | | | | | | | | | | 0000 |
| 0078 | DSGPR15 | 31:16 | Deep Sleep Persistent General Purpose bits <31:16> | | | | | | | | | | | | | | | 0000 |
| | | 15:0 | Deep Sleep Persistent General Purpose bits <15:0> | | | | | | | | | | | | | | | 0000 |
| 007C | DSGPR16 | 31:16 | Deep Sleep Persistent General Purpose bits <31:16> | | | | | | | | | | | | | | | 0000 |
| | | 15:0 | Deep Sleep Persistent General Purpose bits <15:0> | | | | | | | | | | | | | | | 0000 |
| 0080 | DSGPR17 | 31:16 | Deep Sleep Persistent General Purpose bits <31:16> | | | | | | | | | | | | | | | 0000 |
| | | 15:0 | Deep Sleep Persistent General Purpose bits <15:0> | | | | | | | | | | | | | | | 0000 |
| 0084 | DSGPR18 | 31:16 | Deep Sleep Persistent General Purpose bits <31:16> | | | | | | | | | | | | | | | 0000 |
| | | 15:0 | Deep Sleep Persistent General Purpose bits <15:0> | | | | | | | | | | | | | | | 0000 |
| 0088 | DSGPR19 | 31:16 | Deep Sleep Persistent General Purpose bits <31:16> | | | | | | | | | | | | | | | 0000 |
| | | 15:0 | Deep Sleep Persistent General Purpose bits <15:0> | | | | | | | | | | | | | | | 0000 |
| 008C | DSGPR20 | 31:16 | Deep Sleep Persistent General Purpose bits <31:16> | | | | | | | | | | | | | | | 0000 |
| | | 15:0 | Deep Sleep Persistent General Purpose bits <15:0> | | | | | | | | | | | | | | | 0000 |
| 0090 | DSGPR21 | 31:16 | Deep Sleep Persistent General Purpose bits <31:16> | | | | | | | | | | | | | | | 0000 |
| | | 15:0 | Deep Sleep Persistent General Purpose bits <15:0> | | | | | | | | | | | | | | | 0000 |
| 0094 | DSGPR22 | 31:16 | Deep Sleep Persistent General Purpose bits <31:16> | | | | | | | | | | | | | | | 0000 |
| | | 15:0 | Deep Sleep Persistent General Purpose bits <15:0> | | | | | | | | | | | | | | | 0000 |
| 0098 | DSGPR23 | 31:16 | Deep Sleep Persistent General Purpose bits <31:16> | | | | | | | | | | | | | | | 0000 |
| | | 15:0 | Deep Sleep Persistent General Purpose bits <15:0> | | | | | | | | | | | | | | | 0000 |
| 009C | DSGPR24 | 31:16 | Deep Sleep Persistent General Purpose bits <31:16> | | | | | | | | | | | | | | | 0000 |
| | | 15:0 | Deep Sleep Persistent General Purpose bits <15:0> | | | | | | | | | | | | | | | 0000 |
| 00A0 | DSGPR25 | 31:16 | Deep Sleep Persistent General Purpose bits <31:16> | | | | | | | | | | | | | | | 0000 |
| | | 15:0 | Deep Sleep Persistent General Purpose bits <15:0> | | | | | | | | | | | | | | | 0000 |
| 00A4 | DSGPR26 | 31:16 | Deep Sleep Persistent General Purpose bits <31:16> | | | | | | | | | | | | | | | 0000 |
| | | 15:0 | Deep Sleep Persistent General Purpose bits <15:0> | | | | | | | | | | | | | | | 0000 |

Legend: — = unimplemented, read as '0'.

Note 1: The DSGPRO register is persistent in all device modes of operation.

2: The Deep Sleep Control registers can only be accessed after the system unlock sequence has been performed. In addition, these registers must be written twice.

TABLE 29-1: POWER-SAVING MODES REGISTER SUMMARY

| Virtual Address (BF60_#) | Register Name ⁽²⁾ | Bit Range | Bits | | | | | | | | | | | | | | All Resets ⁽¹⁾ |
|-----------------------------|---------------------------------|-----------|--|-------|-------|-------|-------|-------|------|------|------|------|------|------|------|------|---------------------------|
| | | | 31/15 | 30/14 | 29/13 | 28/12 | 27/11 | 26/10 | 25/9 | 24/8 | 23/7 | 22/6 | 21/5 | 20/4 | 19/3 | 18/2 | |
| 00A8 | DSGPR27 | 31:16 | Deep Sleep Persistent General Purpose bits <31:16> | | | | | | | | | | | | | | 0000 |
| | | 15:0 | Deep Sleep Persistent General Purpose bits <15:0> | | | | | | | | | | | | | | 0000 |
| 00AC | DSGPR28 | 31:16 | Deep Sleep Persistent General Purpose bits <31:16> | | | | | | | | | | | | | | 0000 |
| | | 15:0 | Deep Sleep Persistent General Purpose bits <15:0> | | | | | | | | | | | | | | 0000 |
| 00B0 | DSGPR29 | 31:16 | Deep Sleep Persistent General Purpose bits <31:16> | | | | | | | | | | | | | | 0000 |
| | | 15:0 | Deep Sleep Persistent General Purpose bits <15:0> | | | | | | | | | | | | | | 0000 |
| 00B4 | DSGPR30 | 31:16 | Deep Sleep Persistent General Purpose bits <31:16> | | | | | | | | | | | | | | 0000 |
| | | 15:0 | Deep Sleep Persistent General Purpose bits <15:0> | | | | | | | | | | | | | | 0000 |
| 00B8 | DSGPR31 | 31:16 | Deep Sleep Persistent General Purpose bits <31:16> | | | | | | | | | | | | | | 0000 |
| | | 15:0 | Deep Sleep Persistent General Purpose bits <15:0> | | | | | | | | | | | | | | 0000 |
| 00BC | DSGPR32 | 31:16 | Deep Sleep Persistent General Purpose bits <31:16> | | | | | | | | | | | | | | 0000 |
| | | 15:0 | Deep Sleep Persistent General Purpose bits <15:0> | | | | | | | | | | | | | | 0000 |

Legend: — = unimplemented, read as '0'.

- Note** 1: The DSGPR0 register is persistent in all device modes of operation.
 2: The Deep Sleep Control registers can only be accessed after the system unlock sequence has been performed. In addition, these registers must be written twice.

PIC32MX1XX/2XX 28/44-PIN XLP FAMILY

REGISTER 29-1: DSCON: DEEP SLEEP CONTROL REGISTER

| Bit Range | Bit 31/23/15/7 | Bit 30/22/14/6 | Bit 29/21/13/5 | Bit 28/20/12/4 | Bit 27/19/11/3 | Bit 26/18/10/2 | Bit 25/17/9/1 | Bit 24/16/8/0 |
|-----------|----------------------------------|----------------|------------------|-----------------|----------------|------------------|-------------------------------|-------------------|
| 31:24 | U-0 — | U-0 — | U-0 — | U-0 — | U-0 — | U-0 — | U-0 — | U-0 — |
| 23:16 | U-0 — | U-0 — | U-0 — | U-0 — | U-0 — | U-0 — | U-0 — | U-0 — |
| 15:8 | HC, R/W-y DSEN ⁽¹⁾ | U-0 — | R/W-0 DSGPREN | R/W-0 RTCDIS | U-0 — | U-0 — | U-0 — | R/W-0 RTCCWDIS |
| 7:0 | U-0 — | U-0 — | U-0 — | U-0 — | U-0 — | R/W-0 WAKEDIS | R/W-0 DSBOR ⁽²⁾ | R/W-0 RELEASE |

| | | |
|-------------------|-----------------------|--|
| Legend: | HC = Hardware Cleared | y = Value set from Configuration bits on POR |
| R = Readable bit | W = Writable bit | U = Unimplemented bit, read as '0' |
| -n = Value at POR | '1' = Bit is set | '0' = Bit is cleared x = Bit is unknown |

bit 31-16 **Unimplemented:** Read as '0'

bit 15 **DSEN:** Deep Sleep Enable bit⁽¹⁾

- 1 = Deep Sleep mode is entered on a WAIT command
- 0 = Sleep mode is entered on a WAIT command

bit 14 **Unimplemented:** Read as '0'

bit 13 **DSGPREN:** General Purpose Registers Enable bit

- 1 = General purpose register retention is enabled in Deep Sleep mode
- 0 = No general purpose register retention in Deep Sleep mode

bit 12 **RTCDIS:** RTCC Module Disable bit

- 1 = RTCC module is not enabled
- 0 = RTCC module is enabled

bit 11-9 **Unimplemented:** Read as '0'

bit 8 **RTCCWDIS:** RTCC Wake-up Disable bit

- 1 = Wake-up from RTCC is disabled
- 0 = Wake-up from RTCC is enabled

bit 7-3 **Unimplemented:** Read as '0'

bit 2 **WAKEDIS:** Wake-up Source Disable bit

- 1 = External wake-up source is disabled
- 0 = External wake-up source is enabled

bit 1 **DSBOR:** Deep Sleep BOR Event Status bit⁽²⁾

- 1 = DSBOR was enabled and VDD dropped below the DSBOR threshold during Deep Sleep⁽²⁾
- 0 = DSBOR was disabled, or VDD did not drop below the DSBOR threshold during Deep Sleep

bit 0 **RELEASE:** I/O Pin State Release bit

- 1 = Upon waking from Deep Sleep, the I/O pins maintain their previous states
- 0 = Release I/O pins and allow their respective TRIS and LAT bits to control their states

Note 1: To enter Deep Sleep mode, Sleep mode must be executed after setting the DSEN bit.

Note 2: Unlike all other events, a Deep Sleep Brown-out Reset (BOR) event will not cause a wake-up from Deep Sleep mode; this bit is present only as a status bit.

PIC32MX1XX/2XX 28/44-PIN XLP FAMILY

REGISTER 29-2: DSWAKE: DEEP SLEEP WAKE-UP SOURCE REGISTER

| Bit Range | Bit 31/23/15/7 | Bit 30/22/14/6 | Bit 29/21/13/5 | Bit 28/20/12/4 | Bit 27/19/11/3 | Bit 26/18/10/2 | Bit 25/17/9/1 | Bit 24/16/8/0 |
|-----------|--------------------|----------------|----------------|--------------------|--------------------|---------------------|---------------|---------------------|
| 31:24 | U-0 — | U-0 — | U-0 — | U-0 — | U-0 — | U-0 — | U-0 — | U-0 — |
| 23:16 | U-0 — | U-0 — | U-0 — | U-0 — | U-0 — | U-0 — | U-0 — | U-0 — |
| 15:8 | U-0 — | U-0 — | U-0 — | U-0 — | U-0 — | U-0 — | U-0 — | R/W-0, HS DSINT0 |
| 7:0 | R/W-0, HS DSFLT | U-0 — | U-0 — | R/W-0, HS DSWDT | R/W-0, HS DSRTC | R/W-0, HS DSMCLR | U-0 — | U-0 — |

Legend:

R = Readable bit

W = Writable bit

HS = Hardware Set

U = Unimplemented bit, read as '0'

-n = Value at POR

'1' = Bit is set

'0' = Bit is cleared

x = Bit is unknown

bit 31-9 **Unimplemented:** Read as '0'

bit 8 **DSINT0:** Interrupt-on-Change bit

1 = Interrupt-on-change was asserted during Deep Sleep

0 = Interrupt-on-change was not asserted during Deep Sleep

bit 7 **DSFLT:** Deep Sleep Fault Detected bit

1 = A Fault occurred during Deep Sleep and some Deep Sleep configuration settings may have been corrupted

0 = No Fault was detected during Deep Sleep

bit 6-5 **Unimplemented:** Read as '0'

bit 4 **DSWDT:** Deep Sleep Watchdog Timer Time-out bit

1 = The Deep Sleep Watchdog Timer timed out during Deep Sleep

0 = The Deep Sleep Watchdog Timer did not time-out during Deep Sleep

bit 3 **DSRTC:** Real-Time Clock and Calendar Alarm bit

1 = The Real-Time Clock and Calendar triggered an alarm during Deep Sleep

0 = The Real-Time Clock and Calendar did not trigger an alarm during Deep Sleep

bit 2 **DSMCLR:** $\overline{\text{MCLR}}$ Event bit

1 = The $\overline{\text{MCLR}}$ pin was active and was asserted during Deep Sleep

0 = The $\overline{\text{MCLR}}$ pin was not active, or was active, but not asserted during Deep Sleep

bit 1-0 **Unimplemented:** Read as '0'

Note: All bits in this register are cleared when the DSEN bit (DSCON<15>) is set.

PIC32MX1XX/2XX 28/44-PIN XLP FAMILY

REGISTER 29-3: DSGPRX: DEEP SLEEP PERSISTENT GENERAL PURPOSE REGISTER 'x'
(x = 0 THROUGH 32)

| Bit Range | Bit 31/23/15/7 | Bit 30/22/14/6 | Bit 29/21/13/5 | Bit 28/20/12/4 | Bit 27/19/11/3 | Bit 26/18/10/2 | Bit 25/17/9/1 | Bit 24/16/8/0 |
|--|----------------|----------------|----------------|----------------|----------------|----------------|---------------|---------------|
| 31:24 | R/W-x | R/W-x | R/W-x | R/W-x | R/W-x | R/W-x | R/W-x | R/W-x |
| Deep Sleep Persistent General Purpose bits | | | | | | | | |
| 23:16 | R/W-x | R/W-x | R/W-x | R/W-x | R/W-x | R/W-x | R/W-x | R/W-x |
| Deep Sleep Persistent General Purpose bits | | | | | | | | |
| 15:8 | R/W-x | R/W-x | R/W-x | R/W-x | R/W-x | R/W-x | R/W-x | R/W-x |
| Deep Sleep Persistent General Purpose bits | | | | | | | | |
| 7:0 | R/W-x | R/W-x | R/W-x | R/W-x | R/W-x | R/W-x | R/W-x | R/W-x |
| Deep Sleep Persistent General Purpose bits | | | | | | | | |

Legend:

R = Readable bit W = Writable bit U = Unimplemented bit, read as '0'
-n = Value at POR '1' = Bit is set '0' = Bit is cleared x = Bit is unknown

bit 31-0 **Deep Sleep Persistent General Purpose bits**

Note: The contents of the DSGPR0 register are retained, even in Deep Sleep and VBAT modes. The DSPGR1 through DSPGR32 registers are disabled by default in Deep Sleep and VBAT modes, but can be enabled with the DSGPREN bit (DSCON<13>). All register bits are reset only in the case of a VDD Power-on Reset (POR) event outside of Deep Sleep mode.

PIC32MX1XX/2XX 28/44-PIN XLP FAMILY

29.5 Peripheral Module Disable

The Peripheral Module Disable (PMD) registers provide a method to disable a peripheral module by stopping all clock sources supplied to that module. When a peripheral is disabled using the appropriate PMD control bit, the peripheral is in a minimum power consumption state. The control and status registers associated with the peripheral are also disabled, so writes to those registers do not have effect and read values are invalid.

To disable a peripheral, the associated PMDx bit must be set to '1'. To enable a peripheral, the associated PMDx bit must be cleared (default). See [Table 29-2](#) for more information.

Note: Disabling a peripheral module while it's ON bit is set, may result in undefined behavior. The ON bit for the associated peripheral module must be cleared prior to disable a module via the PMDx bits.

TABLE 29-2: PERIPHERAL MODULE DISABLE BITS AND LOCATIONS

| Peripheral ⁽¹⁾ | PMDx bit Name ⁽¹⁾ | Register Name and Bit Location |
|------------------------------|------------------------------|--------------------------------|
| ADC1 | AD1MD | PMD1<0> |
| CTMU | CTMUMD | PMD1<8> |
| Comparator Voltage Reference | CVRMD | PMD1<12> |
| Low-Voltage Detect | HLVDM | PMD1<20> |
| Comparator 1 | CMP1MD | PMD2<0> |
| Comparator 2 | CMP2MD | PMD2<1> |
| Comparator 3 | CMP3MD | PMD2<2> |
| Input Capture 1 | IC1MD | PMD3<0> |
| Input Capture 2 | IC2MD | PMD3<1> |
| Input Capture 3 | IC3MD | PMD3<2> |
| Input Capture 4 | IC4MD | PMD3<3> |
| Input Capture 5 | IC5MD | PMD3<4> |
| Output Compare 1 | OC1MD | PMD3<16> |
| Output Compare 2 | OC2MD | PMD3<17> |
| Output Compare 3 | OC3MD | PMD3<18> |
| Output Compare 4 | OC4MD | PMD3<19> |
| Output Compare 5 | OC5MD | PMD3<20> |
| Timer1 | T1MD | PMD4<0> |
| Timer2 | T2MD | PMD4<1> |
| Timer3 | T3MD | PMD4<2> |
| Timer4 | T4MD | PMD4<3> |
| Timer5 | T5MD | PMD4<4> |
| UART1 | U1MD | PMD5<0> |
| UART2 | U2MD | PMD5<1> |
| SPI1 | SPI1MD | PMD5<8> |
| SPI2 | SPI2MD | PMD5<9> |
| I2C1 | I2C1MD | PMD5<16> |
| I2C2 | I2C2MD | PMD5<17> |
| USB ⁽²⁾ | USBMD | PMD5<24> |
| RTCC | RTCCMD | PMD6<0> |
| Reference Clock Output | REFOMD | PMD6<1> |
| PMP | PMPMD | PMD6<16> |

Note 1: Not all modules and associated PMDx bits are available on all devices. See [TABLE 1: "PIC32MX1XX 28/44-Pin XLP \(General Purpose\) Family Features"](#) and [TABLE 2: "PIC32MX2XX 28/44-Pin XLP \(USB\) Family Features"](#) for the lists of available peripherals.

2: The module must not be busy after clearing the associated ON bit and prior to setting the USBMD bit.

PIC32MX1XX/2XX 28/44-PIN XLP FAMILY

29.5.1 CONTROLLING CONFIGURATION CHANGES

Because peripherals can be disabled during run time, some restrictions on disabling peripherals are needed to prevent accidental configuration changes. PIC32 devices include two features to prevent alterations to enabled or disabled peripherals:

- Control register lock sequence
- Configuration bit select lock

29.5.1.1 Control Register Lock

Under normal operation, writes to the PMDx registers are not allowed. Attempted writes appear to execute normally, but the contents of the registers remain unchanged. To change these registers, they must be unlocked in hardware. The register lock is controlled by the Configuration bit, PMDLOCK (CFGCON<12>). Setting PMDLOCK prevents writes to the control registers; clearing PMDLOCK allows writes.

To set or clear PMDLOCK, an unlock sequence must be executed. Refer to **Section 6. “Oscillator”** (DS60001112) in the *“PIC32 Family Reference Manual”* for details.

29.5.1.2 Configuration Bit Select Lock

As an additional level of safety, the device can be configured to prevent more than one write session to the PMDx registers. The Configuration bit, PMDL1WAY (DEVCFG3<28>), blocks the PMDLOCK bit from being cleared after it has been set once. If PMDLOCK remains set, the register unlock procedure does not execute, and the peripheral pin select control registers cannot be written to. The only way to clear the bit and re-enable PMD functionality is to perform a device Reset.

TABLE 29-3: PERIPHERAL MODULE DISABLE REGISTER MAP

| Virtual Address (BF80_#) | Register Name ⁽¹⁾ | Bit Range | Bits | | | | | | | | | | | | | | | | All Resets | | |
|-----------------------------|---------------------------------|-----------|-------|-------|-------|-------|-------|-------|------|--------|--------|------|------|------|--------|-------|-------|--------|------------|--------|------|
| | | | 31/15 | 30/14 | 29/13 | 28/12 | 27/11 | 26/10 | 25/9 | 24/8 | 23/7 | 22/6 | 21/5 | 20/4 | 19/3 | 18/2 | 17/1 | 16/0 | | | |
| F240 | PMD1 | 31:16 | — | — | — | — | — | — | — | — | — | — | — | — | HLVDMD | — | — | — | — | 0000 | |
| | | 15:0 | — | — | — | CVRMD | — | — | — | CTMUMD | — | — | — | — | — | — | — | — | — | AD1MD | 0000 |
| F250 | PMD2 | 31:16 | — | — | — | — | — | — | — | — | — | — | — | — | — | — | — | — | — | 0000 | |
| | | 15:0 | — | — | — | — | — | — | — | — | — | — | — | — | — | — | — | CMP3MD | CMP2MD | CMP1MD | 0000 |
| F260 | PMD3 | 31:16 | — | — | — | — | — | — | — | — | — | — | — | — | OC5MD | OC4MD | OC3MD | OC2MD | OC1MD | 0000 | |
| | | 15:0 | — | — | — | — | — | — | — | — | — | — | — | — | IC5MD | IC4MD | IC3MD | IC2MD | IC1MD | 0000 | |
| F270 | PMD4 | 31:16 | — | — | — | — | — | — | — | — | — | — | — | — | — | — | — | — | — | 0000 | |
| | | 15:0 | — | — | — | — | — | — | — | — | — | — | — | — | T5MD | T4MD | T3MD | T2MD | T1MD | 0000 | |
| F280 | PMD5 | 31:16 | — | — | — | — | — | — | — | — | — | — | — | — | USB1MD | — | — | — | I2C1MD | I2C1MD | 0000 |
| | | 15:0 | — | — | — | — | — | — | — | SPI2MD | SPI1MD | — | — | — | — | — | — | — | U2MD | U1MD | 0000 |
| F290 | PMD6 | 31:16 | — | — | — | — | — | — | — | — | — | — | — | — | — | — | — | — | — | PMPMD | 0000 |
| | | 15:0 | — | — | — | — | — | — | — | — | — | — | — | — | — | — | — | — | REFOMD | RTCCMD | 0000 |

Legend: x = unknown value on Reset; — = unimplemented, read as '0'. Reset values are shown in hexadecimal.

Note 1: All registers in this table have corresponding CLR, SET and INV registers at their virtual addresses, plus offsets of 0x4, 0x8 and 0xC, respectively. See [12.2 “CLR, SET and INV Registers”](#) for more information.

PIC32MX1XX/2XX 28/44-PIN XLP FAMILY

NOTES:

PIC32MX1XX/2XX 28/44-PIN XLP FAMILY

30.0 SPECIAL FEATURES

Note: This data sheet summarizes the features of the PIC32MX1XX/2XX 28/44-pin XLP Family of devices. However, it is not intended to be a comprehensive reference source. To complement the information in this data sheet, refer to **Section 32. “Configuration”** (DS60001124) and **Section 33. “Programming and Diagnostics”** (DS60001129), which are available from the *Documentation > Reference Manual* section of the Microchip PIC32 web site (www.microchip.com/pic32).

PIC32MX1XX/2XX 28/44-pin XLP Family devices include the following features intended to maximize application flexibility, reliability and minimize cost through elimination of external components.

- Flexible device configuration
- Joint Test Action Group (JTAG) interface
- In-Circuit Serial Programming™ (ICSP™)

30.1 Configuration Bits

The Configuration bits can be programmed using the following registers to select various device configurations.

- [DEVCFG0: Device Configuration Word 0](#)
- [DEVCFG1: Device Configuration Word 1](#)
- [DEVCFG2: Device Configuration Word 2](#)
- [DEVCFG3: Device Configuration Word 3](#)
- [CFGCON: Configuration Control Register](#)

In addition, the DEVID register ([Register 30-6](#)) provides device and revision information.

30.2 Configuration Registers

TABLE 30-1: DEVCFG: DEVICE CONFIGURATION WORD SUMMARY

| Virtual Address (BF80_#) | Register Name | Bit Range | Bits | | | | | | | | | | | | | | | All Resets |
|--------------------------|---------------|-----------|-----------------------|----------|-------------|--------------|-------|-----------------------------|----------------|----------|---------|--------------|------------|-------------------------|---------------|--------|------------|------------|
| | | | 31/15 | 30/14 | 29/13 | 28/12 | 27/11 | 26/10 | 25/9 | 24/8 | 23/7 | 22/6 | 21/5 | 20/4 | 19/3 | 18/2 | 17/1 | |
| 2FF0 | DEVCFG3 | 31:16 | — | FUSBIDIO | IOL1WAY | PMDL1WAY | — | — | — | — | AI2C2 | AI2C1 | — | — | — | — | — | xxxx |
| | | 15:0 | USERID<15:0> | | | | | | | | | | | | | | | xxxx |
| 2FF4 | DEVCFG2 | 31:16 | FDSSEN | DSWDT EN | DSWD TOSC | DSWDTPS<4:0> | | | | DSBOR EN | — | VBAT BOREN | BOREN | — | FPLLIDIV<2:0> | | | xxxx |
| | | 15:0 | UPLLEN ⁽¹⁾ | — | — | — | — | UPLLDIV<2:0> ⁽¹⁾ | | | FPLLCLK | FPLLMUL<2:0> | | — | FPLLIDIV<2:0> | | | xxxx |
| 2FF8 | DEVCFG1 | 31:16 | — | — | — | — | — | — | FWDTWINSZ<1:0> | FWDTEN | WINDIS | WDTS PGM | WDTPS<4:0> | | | | xxxx | |
| | | 15:0 | FCKSM<1:0> | | FPBDIV<1:0> | | — | OSCI OFNC | POSCMOD<1:0> | IESO | — | FSOSCEN | — | — | FNOSC<2:0> | | | xxxx |
| 2FFC | DEVCFG0 | 31:16 | — | — | — | CP | — | — | — | BWP | SMCLR | — | — | PWP<7:4> ⁽²⁾ | | | xxxx | |
| | | 15:0 | PWP<3:0> | | | — | — | — | — | — | — | — | — | — | ICESEL<1:0> | JTAGEN | DEBUG<1:0> | |

Legend: x = unknown value on Reset; — = unimplemented, read as '0'. Reset values are shown in hexadecimal.

Note 1: This bit is only available on PIC32MX2XX devices.

Note 2: PWP<8:7> are only available on devices with 256 KB of Flash.

TABLE 30-2: DEVICE ID, REVISION, AND CONFIGURATION SUMMARY

| Virtual Address (BF80_#) | Register Name | Bit Range | Bits | | | | | | | | | | | | | | | All Resets ⁽¹⁾ |
|--------------------------|-----------------------|-----------|--------------|-------|--------|---------|--------------|-------|------|------|------|------|------|------|--------|------|------|---------------------------|
| | | | 31/15 | 30/14 | 29/13 | 28/12 | 27/11 | 26/10 | 25/9 | 24/8 | 23/7 | 22/6 | 21/5 | 20/4 | 19/3 | 18/2 | 17/1 | |
| F200 | CFGCON | 31:16 | — | — | — | — | — | — | — | — | — | — | — | — | — | — | — | 0000 |
| | | 15:0 | — | — | IOLOCK | PMDLOCK | — | — | — | RPFA | — | — | — | — | JTAGEN | — | FAEN | TDOEN |
| F220 | DEVID | 31:16 | VER<3:0> | | | | DEVID<27:16> | | | | | | | | | | | xxxx ⁽¹⁾ |
| | | 15:0 | DEVID<15:0> | | | | | | | | | | | | | | | xxxx ⁽¹⁾ |
| F230 | SYSKEY ⁽³⁾ | 31:16 | SYSKEY<31:0> | | | | | | | | | | | | | | | 0000 |
| | | 15:0 | SYSKEY<31:0> | | | | | | | | | | | | | | | 0000 |

Legend: x = unknown value on Reset; — = unimplemented, read as '0'. Reset values are shown in hexadecimal.

Note 1: Reset values are dependent on the device variant.

PIC32MX1XX/2XX 28/44-PIN XLP FAMILY

REGISTER 30-1: DEVCFG0: DEVICE CONFIGURATION WORD 0

| Bit Range | Bit 31/23/15/7 | Bit 30/22/14/6 | Bit 29/21/13/5 | Bit 28/20/12/4 | Bit 27/19/11/3 | Bit 26/18/10/2 | Bit 25/17/9/1 | Bit 24/16/8/0 |
|-----------|----------------|----------------|----------------|----------------------------|----------------|-----------------------|---------------|---------------|
| 31:24 | r-1 | r-1 | r-1 | R/P | r-1 | r-1 | r-1 | R/P |
| | — | — | — | CP | — | — | — | BWP |
| 23:16 | R/P | r-1 | r-1 | r-1 | R/P | R/P | R/P | R/P |
| | SMCLR | — | — | — | PWP<7:4> | | | |
| 15:8 | R/P | R/P | R/P | R/P | r-1 | r-1 | r-1 | r-1 |
| | PWP<3:0> | | | | — | — | — | — |
| 7:0 | r-1 | r-1 | r-1 | R/P | R/P | R/P | R/P | R/P |
| | — | — | — | ICESEL<1:0> ⁽²⁾ | | JTAGEN ⁽¹⁾ | DEBUG<1:0> | |

| | | |
|-------------------|------------------|------------------------------------|
| Legend: | r = Reserved bit | P = Programmable bit |
| R = Readable bit | W = Writable bit | U = Unimplemented bit, read as '0' |
| -n = Value at POR | '1' = Bit is set | '0' = Bit is cleared |
| | | x = Bit is unknown |

bit 30-29 **Reserved:** Write '1'

bit 28 **CP:** Code-Protect bit

Prevents boot and program Flash memory from being read or modified by an external programming device.

1 = Protection is disabled

0 = Protection is enabled

bit 27-25 **Reserved:** Write '1'

bit 24 **BWP:** Boot Flash Write-Protect bit

Prevents Boot Flash memory from being modified during code execution.

1 = Boot Flash is writable

0 = Boot Flash is not writable

bit 23 **SMCLR:** Soft Master Clear Enable bit

1 = MCLR pin generates a normal system Reset

0 = MCLR pin generates a POR

bit 22-20 **Reserved:** Write '1'

Note 1: This bit sets the value for the JTAGEN bit in the CFGCON register.

Note 2: The PGEC4/PGED4 pin pair is not available on all devices. Refer to the ["Pin Diagrams"](#) section for availability.

PIC32MX1XX/2XX 28/44-PIN XLP FAMILY

REGISTER 30-1: DEVCFG0: DEVICE CONFIGURATION WORD 0 (CONTINUED)

bit 19-12 **PWP<7:0>**: Program Flash Write-Protect bits⁽³⁾

Prevents selected program Flash memory pages from being modified during code execution. The PWP bits represent the one's compliment of the number of write protected program Flash memory pages.

11111111 = Disabled
11111110 = 0xBD00_0FFF
11111101 = 0xBD00_1FFF
11111100 = 0xBD00_2FFF
11111011 = 0xBD00_3FFF
11111010 = 0xBD00_4FFF
11111001 = 0xBD00_5FFF
11111000 = 0xBD00_6FFF
11110111 = 0xBD00_7FFF
11110110 = 0xBD00_8FFF
11110101 = 0xBD00_9FFF
11110100 = 0xBD00_AFFF
11110011 = 0xBD00_BFFF
11110010 = 0xBD00_CFFF
11110001 = 0xBD00_DFFF
11110000 = 0xBD00_EFFF
11101111 = 0xBD00_FFFF

•
•
•

10111111 = 0xBD03_FFFF
10111110 = Reserved

•
•
•

00000000 = Reserved

bit 11-5 **Reserved**: Write '1'

bit 4-3 **ICESEL<1:0>**: In-Circuit Emulator/Debugger Communication Channel Select bits⁽²⁾

11 = PGEC1/PGED1 pair is used
10 = PGEC2/PGED2 pair is used
01 = PGEC3/PGED3 pair is used
00 = PGEC4/PGED4 pair is used⁽²⁾

bit 2 **JTAGEN**: JTAG Enable bit⁽¹⁾

1 = JTAG is enabled
0 = JTAG is disabled

bit 1-0 **DEBUG<1:0>**: Background Debugger Enable bits (forced to '11' if code-protect is enabled)

1x = Debugger is disabled
0x = Debugger is enabled

Note 1: This bit sets the value for the JTAGEN bit in the CFGCON register.

2: The PGEC4/PGED4 pin pair is not available on all devices. Refer to the [“Pin Diagrams”](#) section for availability.

PIC32MX1XX/2XX 28/44-PIN XLP FAMILY

REGISTER 30-2: DEVCFG1: DEVICE CONFIGURATION WORD 1

| Bit Range | Bit 31/23/15/7 | Bit 30/22/14/6 | Bit 29/21/13/5 | Bit 28/20/12/4 | Bit 27/19/11/3 | Bit 26/18/10/2 | Bit 25/17/9/1 | Bit 24/16/8/0 |
|-----------|----------------|----------------|----------------|----------------|----------------|----------------|----------------|---------------|
| 31:24 | r-1 | r-1 | r-1 | r-1 | r-1 | r-1 | R/P | R/P |
| | — | — | — | — | — | — | FWDTWINSZ<1:0> | |
| 23:16 | R/P | R/P | R/P | R/P | R/P | R/P | R/P | R/P |
| | FWDTEN | WINDIS | WDTSPGM | WDTPS<4:0> | | | | |
| 15:8 | R/P | R/P | R/P | R/P | r-1 | R/P | R/P | R/P |
| | FCKSM<1:0> | | FPBDIV<1:0> | | — | OSCIOfNC | POSCMOD<1:0> | |
| 7:0 | R/P | r-1 | R/P | r-1 | r-1 | R/P | R/P | R/P |
| | IESO | — | FSOSCEN | — | — | FNOSC<2:0> | | |

| | | |
|-------------------|------------------|--|
| Legend: | r = Reserved bit | P = Programmable bit |
| R = Readable bit | W = Writable bit | U = Unimplemented bit, read as '0' |
| -n = Value at POR | '1' = Bit is set | '0' = Bit is cleared x = Bit is unknown |

bit 31-26 **Reserved:** Write '1'

bit 25-24 **FWDTWINSZ<1:0>:** Watchdog Timer Window Size bits

- 11 = Window size is 25%
- 10 = Window size is 37.5%
- 01 = Window size is 50%
- 00 = Window size is 75%

bit 23 **FWDTEN:** Watchdog Timer Enable bit

- 1 = Watchdog Timer is enabled and cannot be disabled by software
- 0 = Watchdog Timer is not enabled; it can be enabled in software

bit 22 **WINDIS:** Watchdog Timer Window Enable bit

- 1 = Watchdog Timer is in non-Window mode
- 0 = Watchdog Timer is in Window mode

bit 21 **WDTSPGM:** Watchdog Timer Stop During Flash Programming bit

- 1 = Watchdog Timer stops during Flash programming
- 0 = Watchdog Timer runs during Flash programming

bit 20-16 **WDTPS<4:0>:** Watchdog Timer Postscale Select bits

- 10100 = 1:1048576
 - 10011 = 1:524288
 - 10010 = 1:262144
 - 10001 = 1:131072
 - 10000 = 1:65536
 - 01111 = 1:32768
 - 01110 = 1:16384
 - 01101 = 1:8192
 - 01100 = 1:4096
 - 01011 = 1:2048
 - 01010 = 1:1024
 - 01001 = 1:512
 - 01000 = 1:256
 - 00111 = 1:128
 - 00110 = 1:64
 - 00101 = 1:32
 - 00100 = 1:16
 - 00011 = 1:8
 - 00010 = 1:4
 - 00001 = 1:2
 - 00000 = 1:1
- All other combinations not shown result in operation = 10100

Note 1: Do not disable the Posc (POSCMOD = 11) when using this oscillator source.

PIC32MX1XX/2XX 28/44-PIN XLP FAMILY

REGISTER 30-2: DEVCFG1: DEVICE CONFIGURATION WORD 1 (CONTINUED)

- bit 15-14 **FCKSM<1:0>**: Clock Switching and Monitor Selection Configuration bits
1x = Clock switching is disabled, Fail-Safe Clock Monitor is disabled
01 = Clock switching is enabled, Fail-Safe Clock Monitor is disabled
00 = Clock switching is enabled, Fail-Safe Clock Monitor is enabled
- bit 13-12 **FPBDIV<1:0>**: Peripheral Bus Clock Divisor Default Value bits
11 = PBCLK is SYSCLK divided by 8
10 = PBCLK is SYSCLK divided by 4
01 = PBCLK is SYSCLK divided by 2
00 = PBCLK is SYSCLK divided by 1
- bit 11 **Reserved**: Write '1'
- bit 10 **OSCIOFNC**: CLKO Enable Configuration bit
1 = CLKO output disabled
0 = CLKO output signal active on the OSCO pin; Primary Oscillator must be disabled or configured for the External Clock mode (EC) for the CLKO to be active (POSCMOD<1:0> = 11 or 00)
- bit 9-8 **POSCMOD<1:0>**: Primary Oscillator Configuration bits
11 = Primary Oscillator is disabled
10 = HS Oscillator mode is selected
01 = XT Oscillator mode is selected
00 = External Clock mode is selected
- bit 7 **IESO**: Internal External Switchover bit
1 = Internal External Switchover mode is enabled (Two-Speed Start-up is enabled)
0 = Internal External Switchover mode is disabled (Two-Speed Start-up is disabled)
- bit 6 **Reserved**: Write '1'
- bit 5 **FSOSCEN**: Secondary Oscillator Enable bit
1 = Enable Secondary Oscillator
0 = Disable Secondary Oscillator
- bit 4-3 **Reserved**: Write '1'
- bit 2-0 **FNOSC<2:0>**: Oscillator Selection bits
111 = Fast RC Oscillator with divide-by-N (FRCDIV)
110 = FRCDIV16 Fast RC Oscillator with fixed divide-by-16 postscaler
101 = Low-Power RC Oscillator (LPRC)
100 = Secondary Oscillator (SOSC)
011 = Primary Oscillator (POSC) with PLL module (XT+PLL, HS+PLL, EC+PLL)
010 = Primary Oscillator (XT, HS, EC)⁽¹⁾
001 = Fast RC Oscillator with divide-by-N with PLL module (FRCDIV+PLL)
000 = Fast RC Oscillator (FRC)

Note 1: Do not disable the Posc (POSCMOD = 11) when using this oscillator source.

PIC32MX1XX/2XX 28/44-PIN XLP FAMILY

REGISTER 30-3: DEVCFG2: DEVICE CONFIGURATION WORD 2

| Bit Range | Bit 31/23/15/7 | Bit 30/22/14/6 | Bit 29/21/13/5 | Bit 28/20/12/4 | Bit 27/19/11/3 | Bit 26/18/10/2 | Bit 25/17/9/1 | Bit 24/16/8/0 |
|-----------|-----------------------|----------------|----------------|----------------|----------------|-----------------------------|---------------|---------------|
| 31:24 | R/P | R/P | R/P | R/P | R/P | R/P | R/P | R/P |
| | FDSSEN | DSWDTEN | DSWDTOSC | DSWDTPS<4:0> | | | | |
| 23:16 | R/P | r-1 | R/P | R/P | r-1 | R/P | R/P | R/P |
| | DSBORN | — | VBATBORN | BOREN | — | FPLLIDIV<2:0> | | |
| 15:8 | R/P | r-1 | r-1 | r-1 | r-1 | R/P | R/P | R/P |
| | UPLLEN ⁽¹⁾ | — | — | — | — | UPLLDIV<2:0> ⁽¹⁾ | | |
| 7:0 | R/P | R/P-1 | R/P | R/P-1 | r-1 | R/P | R/P | R/P |
| | FPLLICKL | FPLLMUL<2:0> | | | — | FPLLIDIV<2:0> | | |

| | | |
|-------------------|------------------|--|
| Legend: | r = Reserved bit | P = Programmable bit |
| R = Readable bit | W = Writable bit | U = Unimplemented bit, read as '0' |
| -n = Value at POR | '1' = Bit is set | '0' = Bit is cleared x = Bit is unknown |

- bit 31 **FDSSEN:** Deep Sleep Enable bit
 1 = Deep Sleep mode is entered on a WAIT command
 0 = Sleep mode is entered on a WAIT command
- bit 30 **DSWDTEN:** Deep Sleep Watchdog Timer Enable bit
 1 = Enable the Deep Sleep Watchdog Timer (DSWDT) during Deep Sleep mode
 0 = Disable the DSWDT during Deep Sleep mode
- bit 29 **DSWDTOSC:** Deep Sleep Watchdog Timer Reference Clock Select bit
 1 = Select the LPRC Oscillator as the DSWDT reference clock
 0 = Select the Secondary Oscillator as the DSWDT reference clock
- bit 28-24 **DSWDTPS<4:0>:** Deep Sleep Watchdog Timer Postscale Select bits
 11111 = 1:2³⁶
 11110 = 1:2³⁵
 11101 = 1:2³⁴
 11100 = 1:2³³
 11011 = 1:2³²
 11010 = 1:2³¹
 11001 = 1:2³⁰
 11000 = 1:2²⁹
 10111 = 1:2²⁸
 10110 = 1:2²⁷
 10101 = 1:2²⁶
 10100 = 1:2²⁵
 10011 = 1:2²⁴
 10010 = 1:2²³
 10001 = 1:2²²
 10000 = 1:2²¹
 01111 = 1:2²⁰
 01110 = 1:2¹⁹
 01101 = 1:2¹⁸
 01100 = 1:2¹⁷
 01011 = 1:2¹⁶
 01010 = 1:2¹⁵
 01001 = 1:2¹⁴
 01000 = 1:2¹³
 00111 = 1:2¹²
 00110 = 1:2¹¹
 00101 = 1:2¹⁰
 00100 = 1:2⁹
 00011 = 1:2⁸
 00010 = 1:2⁷
 00001 = 1:2⁶
 00000 = 1:2⁵

Note 1: This bit is only available on PIC32MX2XX devices.

PIC32MX1XX/2XX 28/44-PIN XLP FAMILY

REGISTER 30-3: DEVCFG2: DEVICE CONFIGURATION WORD 2 (CONTINUED)

- bit 23 **DSBOREN:** Deep Sleep BOR Enable bit
1 = Enable BOR during Deep Sleep mode
0 = Disable BOR during Deep Sleep mode
- bit 22 **Reserved:** Write '1'
- bit 21 **VBATBOREN:** VBAT BOR Enable bit
1 = Enable BOR during VBAT mode
0 = Disable BOR during VBAT mode
- bit 20 **BOREN:** Brown-Out Reset (BOR) Enable bit
1 = Enable BOR
0 = Disable BOR
- bit 19 **Reserved:** Write '1'
- bit 18-16 **FPLLIDIV<2:0>:** Default PLL Output Divisor bits
111 = PLL output divided by 256
110 = PLL output divided by 64
101 = PLL output divided by 32
100 = PLL output divided by 16
011 = PLL output divided by 8
010 = PLL output divided by 4
001 = PLL output divided by 2
000 = PLL output divided by 1
- bit 15 **UPLLEN:** USB PLL Enable bit⁽¹⁾
1 = Disable and bypass USB PLL
0 = Enable USB PLL
- bit 14-11 **Reserved:** Write '1'
- bit 10-8 **UPLLIDIV<2:0>:** USB PLL Input Divider bits⁽¹⁾
111 = 12x divider
110 = 10x divider
101 = 6x divider
100 = 5x divider
011 = 4x divider
010 = 3x divider
010 = 3x divider
001 = 2x divider
000 = 1x divider
- bit 7 **FPLLICK:** System PLL Input Clock Select bit
1 = FRC is selected as input to the System PLL
0 = POSC is selected as input to the System PLL
- bit 6-4 **FPLLMUL<2:0>:** PLL Multiplier bits
111 = 24x multiplier
110 = 21x multiplier
101 = 20x multiplier
100 = 19x multiplier
011 = 18x multiplier
010 = 17x multiplier
001 = 16x multiplier
000 = 15x multiplier
- bit 3 **Reserved:** Write '1'

Note 1: This bit is only available on PIC32MX2XX devices.

PIC32MX1XX/2XX 28/44-PIN XLP FAMILY

REGISTER 30-3: DEVCFG2: DEVICE CONFIGURATION WORD 2 (CONTINUED)

bit 2-0 **FPLLIDIV<2:0>**: PLL Input Divider bits

111 = 12x divider

110 = 10x divider

101 = 6x divider

100 = 5x divider

011 = 4x divider

010 = 3x divider

001 = 2x divider

000 = 1x divider

Note 1: This bit is only available on PIC32MX2XX devices.

PIC32MX1XX/2XX 28/44-PIN XLP FAMILY

REGISTER 30-4: DEVCFG3: DEVICE CONFIGURATION WORD 3

| Bit Range | Bit 31/23/15/7 | Bit 30/22/14/6 | Bit 29/21/13/5 | Bit 28/20/12/4 | Bit 27/19/11/3 | Bit 26/18/10/2 | Bit 25/17/9/1 | Bit 24/16/8/0 |
|--------------|----------------|-----------------|----------------|-----------------|----------------|----------------|---------------|---------------|
| 31:24 | r-1 — | R/P FUSBIDIO | R/P IOL1WAY | R/P PMDL1WAY | r-1 — | r-1 — | r-1 — | r-1 — |
| 23:16 | R/P AI2C2 | R/P AI2C1 | r-1 — | r-1 — | r-1 — | r-1 — | r-1 — | r-1 — |
| 15:8 | R/P | R/P | R/P | R/P | R/P | R/P | R/P | R/P |
| USERID<15:8> | | | | | | | | |
| 7:0 | R/P | R/P | R/P | R/P | R/P | R/P | R/P | R/P |
| USERID<7:0> | | | | | | | | |

| | | |
|-------------------|------------------|--|
| Legend: | r = Reserved bit | P = Programmable bit |
| R = Readable bit | W = Writable bit | U = Unimplemented bit, read as '0' |
| -n = Value at POR | '1' = Bit is set | '0' = Bit is cleared x = Bit is unknown |

- bit 31 **Reserved:** Write '1'
- bit 30 **FUSBIDIO:** USB USBID Selection bit
1 = USBID pin is controlled by the USB module
0 = USBID pin is controlled by the port function
- bit 29 **IOL1WAY:** Peripheral Pin Select Configuration bit
1 = Allow only one reconfiguration
0 = Allow multiple reconfigurations
- bit 28 **PMDI1WAY:** Peripheral Module Disable Configuration bit
1 = Allow only one reconfiguration
0 = Allow multiple reconfigurations
- bit 27-24 **Reserved:** Write '1'
- bit 23 **AI2C2:** Alternate I/O Select for I2C2 bit
1 = I2C2 uses the SDA2/SCL2 pins
0 = I2C2 uses the ASDA2/ASCL2 pins
- bit 22 **AI2C1:** Alternate I/O Select for I2C1 bit
1 = I2C1 uses the SDA1/SCL1 pins
0 = I2C1 uses the ASDA1/ASCL1 pins
- bit 21-16 **Reserved:** Write '1'
- bit 15-0 **USERID<15:0>:** User ID bits
This is a 16-bit value that is user-defined and is readable via ICSP™ and JTAG.

PIC32MX1XX/2XX 28/44-PIN XLP FAMILY

REGISTER 30-5: CFGCON: CONFIGURATION CONTROL REGISTER

| Bit Range | Bit 31/23/15/7 | Bit 30/22/14/6 | Bit 29/21/13/5 | Bit 28/20/12/4 | Bit 27/19/11/3 | Bit 26/18/10/2 | Bit 25/17/9/1 | Bit 24/16/8/0 |
|-----------|----------------|----------------|-----------------------|------------------------|----------------|----------------|---------------|---------------|
| 31:24 | U-0 | U-0 | U-0 | U-0 | U-0 | U-0 | U-0 | U-0 |
| | — | — | — | — | — | — | — | — |
| 23:16 | U-0 | U-0 | U-0 | U-0 | U-0 | U-0 | U-0 | U-0 |
| | — | — | — | — | — | — | — | — |
| 15:8 | U-0 | U-0 | R/W-0 | R/W-0 | U-0 | U-0 | U-0 | R/W-1 |
| | — | — | IOLOCK ⁽¹⁾ | PMDLOCK ⁽¹⁾ | — | — | — | RPFA |
| 7:0 | U-0 | U-0 | U-0 | U-0 | R/W-1 | U-0 | R/W-1 | R/W-1 |
| | — | — | — | — | JTAGEN | — | FAEN | TDOEN |

Legend:

| | | |
|-------------------|------------------|------------------------------------|
| R = Readable bit | W = Writable bit | U = Unimplemented bit, read as '0' |
| -n = Value at POR | '1' = Bit is set | '0' = Bit is cleared |
| | | x = Bit is unknown |

bit 31-14 **Unimplemented:** Read as '0'

bit 13 **IOLOCK:** Peripheral Pin Select Lock bit⁽¹⁾

1 = Peripheral Pin Select is locked. Writes to PPS registers is not allowed.
0 = Peripheral Pin Select is not locked. Writes to PPS registers is allowed.

bit 12 **PMDLOCK:** Peripheral Module Disable bit⁽¹⁾

1 = Peripheral module is locked. Writes to PMD registers is not allowed.
0 = Peripheral module is not locked. Writes to PMD registers is allowed.

bit 11-9 **Unimplemented:** Read as '0'

bit 8 **RPFA:** Reduced Power Flash Access bit

This bit is used for low clock frequency operation.
1 = Enables Low Power Read Circuit
0 = Disables Low Power Read Circuit (which improves flash read access timing)

bit 4 **Unimplemented:** Read as '0'

bit 3 **JTAGEN:** JTAG Port Enable bit

1 = Enable the JTAG port
0 = Disable the JTAG port

bit 2 **Unimplemented:** Read as '1'

bit 1 **FAEN:** Flash Access Enable bit

On entry to ICSP (TMOD0) and JTAG Test Mode (TMOD12) hardware clears this bit to prevent the processor (and all other bus initiators) from fetching from (unprogrammed) flash memory. This effectively stalls the initiator accessing the flash. To access the flash this bit must be set first.
1 = Flash is accessible
0 = Flash is not accessible

bit 0 **TDOEN:** TDO Enable for 2-Wire JTAG bit

1 = 2-wire JTAG protocol uses TDO
0 = 2-wire JTAG protocol does not use TDO

Note 1: To change this bit, the unlock sequence must be performed. Refer to **Section 6. "Oscillator"** (DS60001112) in the "PIC32 Family Reference Manual" for details.

PIC32MX1XX/2XX 28/44-PIN XLP FAMILY

REGISTER 30-6: DEVID: DEVICE AND REVISION ID REGISTER

| Bit Range | Bit 31/23/15/7 | Bit 30/22/14/6 | Bit 29/21/13/5 | Bit 28/20/12/4 | Bit 27/19/11/3 | Bit 26/18/10/2 | Bit 25/17/9/1 | Bit 24/16/8/0 |
|-----------|-----------------------------|----------------|----------------|----------------|-----------------------------|----------------|---------------|---------------|
| 31:24 | R | R | R | R | R | R | R | R |
| | VER<3:0> ⁽¹⁾ | | | | DEVID<27:24> ⁽¹⁾ | | | |
| 23:16 | R | R | R | R | R | R | R | R |
| | DEVID<23:16> ⁽¹⁾ | | | | | | | |
| 15:8 | R | R | R | R | R | R | R | R |
| | DEVID<15:8> ⁽¹⁾ | | | | | | | |
| 7:0 | R | R | R | R | R | R | R | R |
| | DEVID<7:0> ⁽¹⁾ | | | | | | | |

Legend:

R = Readable bit

W = Writable bit

U = Unimplemented bit, read as '0'

-n = Value at POR

'1' = Bit is set

'0' = Bit is cleared

x = Bit is unknown

bit 31-28 **VER<3:0>**: Revision Identifier bits⁽¹⁾

bit 27-0 **DEVID<27:0>**: Device ID bits⁽¹⁾

Note 1: See the "PIC32 Flash Programming Specification" (DS60001145) for a list of Revision and Device ID values.

PIC32MX1XX/2XX 28/44-PIN XLP FAMILY

30.3 On-Chip Voltage Regulator

All PIC32MX1XX/2XX 28/44-pin XLP Family devices' core and digital logic are designed to operate at a nominal 1.8V. To simplify system designs, most devices in the PIC32MX1XX/2XX 28/44-pin XLP Family family incorporate an on-chip regulator providing the required core logic voltage from VDD.

A low-ESR capacitor (such as tantalum) must be connected to the VCAP pin (see Figure 30-1). This helps to maintain the stability of the regulator. The recommended value for the filter capacitor is provided in 33.1 "DC Characteristics".

Note: It is important that the low-ESR capacitor is placed as close as possible to the VCAP pin.

30.3.1 ON-CHIP REGULATOR AND POR

It takes a fixed delay for the on-chip regulator to generate an output. During this time, designated as TPU, code execution is disabled. TPU is applied every time the device resumes operation after any power-down, including Sleep mode.

30.3.2 ON-CHIP REGULATOR AND BOR

PIC32MX1XX/2XX 28/44-pin XLP Family devices also have a simple brown-out capability. If the voltage supplied to the regulator is inadequate to maintain a regulated level, the regulator Reset circuitry will generate a Brown-out Reset. This event is captured by the BOR flag bit (RCON<1>). The brown-out voltage levels are specific in 33.1 "DC Characteristics".

FIGURE 30-1: CONNECTIONS FOR THE ON-CHIP REGULATOR



30.4 Programming and Diagnostics

PIC32MX1XX/2XX 28/44-pin XLP Family devices provide a complete range of programming and diagnostic features that can increase the flexibility of any application using them. These features allow system designers to include:

- Simplified field programmability using two-wire In-Circuit Serial Programming™ (ICSP™) interfaces
- Debugging using ICSP
- Programming and debugging capabilities using the EJTAG extension of JTAG
- JTAG boundary scan testing for device and board diagnostics

PIC32 devices incorporate two programming and diagnostic modules, and a trace controller, that provide a range of functions to the application developer.

Figure 30-2 illustrates a block diagram of the programming, debugging, and trace ports.

FIGURE 30-2: BLOCK DIAGRAM OF PROGRAMMING, DEBUGGING AND TRACE PORTS



PIC32MX1XX/2XX 28/44-PIN XLP FAMILY

NOTES:

PIC32MX1XX/2XX 28/44-PIN XLP FAMILY

31.0 INSTRUCTION SET

The PIC32MX1XX/2XX XLP instruction set complies with the MIPS32[®] Release 2 instruction set architecture. The PIC32 device family does not support the following features:

- Core extend instructions
- Coprocessor 1 instructions
- Coprocessor 2 instructions

Note: Refer to “MIPS32[®] Architecture for Programmers Volume II: The MIPS32[®] Instruction Set” at www.imgtec.com for more information.

PIC32MX1XX/2XX 28/44-PIN XLP FAMILY

NOTES:

PIC32MX1XX/2XX 28/44-PIN XLP FAMILY

32.0 DEVELOPMENT SUPPORT

The PIC[®] microcontrollers (MCU) and dsPIC[®] digital signal controllers (DSC) are supported with a full range of software and hardware development tools:

- Integrated Development Environment
 - MPLAB[®] X IDE Software
- Compilers/Assemblers/Linkers
 - MPLAB XC Compiler
 - MPASM[™] Assembler
 - MPLINK[™] Object Linker/
MPLIB[™] Object Librarian
 - MPLAB Assembler/Linker/Librarian for
Various Device Families
- Simulators
 - MPLAB X SIM Software Simulator
- Emulators
 - MPLAB REAL ICET[™] In-Circuit Emulator
- In-Circuit Debuggers/Programmers
 - MPLAB ICD 3
 - PICKit[™] 3
- Device Programmers
 - MPLAB PM3 Device Programmer
- Low-Cost Demonstration/Development Boards,
Evaluation Kits and Starter Kits
- Third-party development tools

32.1 MPLAB X Integrated Development Environment Software

The MPLAB X IDE is a single, unified graphical user interface for Microchip and third-party software, and hardware development tool that runs on Windows[®], Linux and Mac OS[®] X. Based on the NetBeans IDE, MPLAB X IDE is an entirely new IDE with a host of free software components and plug-ins for high-performance application development and debugging. Moving between tools and upgrading from software simulators to hardware debugging and programming tools is simple with the seamless user interface.

With complete project management, visual call graphs, a configurable watch window and a feature-rich editor that includes code completion and context menus, MPLAB X IDE is flexible and friendly enough for new users. With the ability to support multiple tools on multiple projects with simultaneous debugging, MPLAB X IDE is also suitable for the needs of experienced users.

Feature-Rich Editor:

- Color syntax highlighting
- Smart code completion makes suggestions and provides hints as you type
- Automatic code formatting based on user-defined rules
- Live parsing

User-Friendly, Customizable Interface:

- Fully customizable interface: toolbars, toolbar buttons, windows, window placement, etc.
- Call graph window

Project-Based Workspaces:

- Multiple projects
- Multiple tools
- Multiple configurations
- Simultaneous debugging sessions

File History and Bug Tracking:

- Local file history feature
- Built-in support for Bugzilla issue tracker

PIC32MX1XX/2XX 28/44-PIN XLP FAMILY

32.2 MPLAB XC Compilers

The MPLAB XC Compilers are complete ANSI C compilers for all of Microchip's 8, 16, and 32-bit MCU and DSC devices. These compilers provide powerful integration capabilities, superior code optimization and ease of use. MPLAB XC Compilers run on Windows, Linux or MAC OS X.

For easy source level debugging, the compilers provide debug information that is optimized to the MPLAB X IDE.

The free MPLAB XC Compiler editions support all devices and commands, with no time or memory restrictions, and offer sufficient code optimization for most applications.

MPLAB XC Compilers include an assembler, linker and utilities. The assembler generates relocatable object files that can then be archived or linked with other relocatable object files and archives to create an executable file. MPLAB XC Compiler uses the assembler to produce its object file. Notable features of the assembler include:

- Support for the entire device instruction set
- Support for fixed-point and floating-point data
- Command-line interface
- Rich directive set
- Flexible macro language
- MPLAB X IDE compatibility

32.3 MPASM Assembler

The MPASM Assembler is a full-featured, universal macro assembler for PIC10/12/16/18 MCUs.

The MPASM Assembler generates relocatable object files for the MPLINK Object Linker, Intel® standard HEX files, MAP files to detail memory usage and symbol reference, absolute LST files that contain source lines and generated machine code, and COFF files for debugging.

The MPASM Assembler features include:

- Integration into MPLAB X IDE projects
- User-defined macros to streamline assembly code
- Conditional assembly for multipurpose source files
- Directives that allow complete control over the assembly process

32.4 MPLINK Object Linker/ MPLIB Object Librarian

The MPLINK Object Linker combines relocatable objects created by the MPASM Assembler. It can link relocatable objects from precompiled libraries, using directives from a linker script.

The MPLIB Object Librarian manages the creation and modification of library files of precompiled code. When a routine from a library is called from a source file, only the modules that contain that routine will be linked in with the application. This allows large libraries to be used efficiently in many different applications.

The object linker/librarian features include:

- Efficient linking of single libraries instead of many smaller files
- Enhanced code maintainability by grouping related modules together
- Flexible creation of libraries with easy module listing, replacement, deletion and extraction

32.5 MPLAB Assembler, Linker and Librarian for Various Device Families

MPLAB Assembler produces relocatable machine code from symbolic assembly language for PIC24, PIC32 and dsPIC DSC devices. MPLAB XC Compiler uses the assembler to produce its object file. The assembler generates relocatable object files that can then be archived or linked with other relocatable object files and archives to create an executable file. Notable features of the assembler include:

- Support for the entire device instruction set
- Support for fixed-point and floating-point data
- Command-line interface
- Rich directive set
- Flexible macro language
- MPLAB X IDE compatibility

PIC32MX1XX/2XX 28/44-PIN XLP FAMILY

32.6 MPLAB X SIM Software Simulator

The MPLAB X SIM Software Simulator allows code development in a PC-hosted environment by simulating the PIC MCUs and dsPIC DSCs on an instruction level. On any given instruction, the data areas can be examined or modified and stimuli can be applied from a comprehensive stimulus controller. Registers can be logged to files for further run-time analysis. The trace buffer and logic analyzer display extend the power of the simulator to record and track program execution, actions on I/O, most peripherals and internal registers.

The MPLAB X SIM Software Simulator fully supports symbolic debugging using the MPLAB XC Compilers, and the MPASM and MPLAB Assemblers. The software simulator offers the flexibility to develop and debug code outside of the hardware laboratory environment, making it an excellent, economical software development tool.

32.7 MPLAB REAL ICE In-Circuit Emulator System

The MPLAB REAL ICE In-Circuit Emulator System is Microchip's next generation high-speed emulator for Microchip Flash DSC and MCU devices. It debugs and programs all 8, 16 and 32-bit MCU, and DSC devices with the easy-to-use, powerful graphical user interface of the MPLAB X IDE.

The emulator is connected to the design engineer's PC using a high-speed USB 2.0 interface and is connected to the target with either a connector compatible with in-circuit debugger systems (RJ-11) or with the new high-speed, noise tolerant, Low-Voltage Differential Signal (LVDS) interconnection (CAT5).

The emulator is field upgradable through future firmware downloads in MPLAB X IDE. MPLAB REAL ICE offers significant advantages over competitive emulators including full-speed emulation, run-time variable watches, trace analysis, complex breakpoints, logic probes, a ruggedized probe interface and long (up to three meters) interconnection cables.

32.8 MPLAB ICD 3 In-Circuit Debugger System

The MPLAB ICD 3 In-Circuit Debugger System is Microchip's most cost-effective, high-speed hardware debugger/programmer for Microchip Flash DSC and MCU devices. It debugs and programs PIC Flash microcontrollers and dsPIC DSCs with the powerful, yet easy-to-use graphical user interface of the MPLAB IDE.

The MPLAB ICD 3 In-Circuit Debugger probe is connected to the design engineer's PC using a high-speed USB 2.0 interface and is connected to the target with a connector compatible with the MPLAB ICD 2 or MPLAB REAL ICE systems (RJ-11). MPLAB ICD 3 supports all MPLAB ICD 2 headers.

32.9 PICkit 3 In-Circuit Debugger/Programmer

The MPLAB PICkit 3 allows debugging and programming of PIC and dsPIC Flash microcontrollers at a most affordable price point using the powerful graphical user interface of the MPLAB IDE. The MPLAB PICkit 3 is connected to the design engineer's PC using a full-speed USB interface and can be connected to the target via a Microchip debug (RJ-11) connector (compatible with MPLAB ICD 3 and MPLAB REAL ICE). The connector uses two device I/O pins and the Reset line to implement in-circuit debugging and In-Circuit Serial Programming™ (ICSP™).

32.10 MPLAB PM3 Device Programmer

The MPLAB PM3 Device Programmer is a universal, CE compliant device programmer with programmable voltage verification at VDDMIN and VDDMAX for maximum reliability. It features a large LCD display (128 x 64) for menus and error messages, and a modular, detachable socket assembly to support various package types. The ICSP cable assembly is included as a standard item. In Stand-Alone mode, the MPLAB PM3 Device Programmer can read, verify and program PIC devices without a PC connection. It can also set code protection in this mode. The MPLAB PM3 connects to the host PC via an RS-232 or USB cable. The MPLAB PM3 has high-speed communications and optimized algorithms for quick programming of large memory devices, and incorporates an MMC card for file storage and data applications.

PIC32MX1XX/2XX 28/44-PIN XLP FAMILY

32.11 Demonstration/Development Boards, Evaluation Kits, and Starter Kits

A wide variety of demonstration, development and evaluation boards for various PIC MCUs and dsPIC DSCs allows quick application development on fully functional systems. Most boards include prototyping areas for adding custom circuitry and provide application firmware and source code for examination and modification.

The boards support a variety of features, including LEDs, temperature sensors, switches, speakers, RS-232 interfaces, LCD displays, potentiometers and additional EEPROM memory.

The demonstration and development boards can be used in teaching environments, for prototyping custom circuits and for learning about various microcontroller applications.

In addition to the PICDEM™ and dsPICDEM™ demonstration/development board series of circuits, Microchip has a line of evaluation kits and demonstration software for analog filter design, KEELOQ® security ICs, CAN, IrDA®, PowerSmart battery management, SEEVAL® evaluation system, Sigma-Delta ADC, flow rate sensing, plus many more.

Also available are starter kits that contain everything needed to experience the specified device. This usually includes a single application and debug capability, all on one board.

Check the Microchip web page (www.microchip.com) for the complete list of demonstration, development and evaluation kits.

32.12 Third-Party Development Tools

Microchip also offers a great collection of tools from third-party vendors. These tools are carefully selected to offer good value and unique functionality.

- Device Programmers and Gang Programmers from companies, such as SoftLog and CCS
- Software Tools from companies, such as Gimpel and Trace Systems
- Protocol Analyzers from companies, such as Saleae and Total Phase
- Demonstration Boards from companies, such as MikroElektronika, Digilent® and Olimex
- Embedded Ethernet Solutions from companies, such as EZ Web Lynx, WIZnet and IPLogika®

PIC32MX1XX/2XX 28/44-PIN XLP FAMILY

33.0 ELECTRICAL CHARACTERISTICS

This section provides an overview of the PIC32MX1XX/2XX 28/44-pin XLP Family electrical characteristics. Additional information will be provided in future revisions of this document as it becomes available.

Absolute maximum ratings for the PIC32MX1XX/2XX 28/44-pin XLP Family devices are listed below. Exposure to these maximum rating conditions for extended periods may affect device reliability. Functional operation of the device at these or any other conditions, above the parameters indicated in the operation listings of this specification, is not implied.

Absolute Maximum Ratings

(See Note 1)

| | |
|--|---------------------------|
| Ambient temperature under bias..... | -40°C to +105°C |
| Storage temperature | -65°C to +150°C |
| Voltage on VDD with respect to VSS | -0.3V to +4.0V |
| Voltage on VBAT with respect to VSS | -0.3V to +4.0V |
| Voltage on any pin that is not 5V tolerant, with respect to VSS (Note 3)..... | -0.3V to (VDD + 0.3V) |
| Voltage on any 5V tolerant pin with respect to VSS when VDD ≥ 2.7V (Note 3)..... | -0.3V to +5.5V |
| Voltage on any 5V tolerant pin with respect to VSS when VDD < 2.7V (Note 3)..... | -0.3V to +3.6V |
| Voltage on D+ or D- pin with respect to VUSB3V3 | -0.3V to (VUSB3V3 + 0.3V) |
| Voltage on VBUS with respect to VSS | -0.3V to +5.5V |
| Maximum current out of VSS pin(s) | 200 mA |
| Maximum current into VDD pin(s) (Note 2)..... | 200 mA |
| Maximum output current sunk by any I/O pin..... | 15 mA |
| Maximum output current sourced by any I/O pin | 15 mA |
| Maximum current sunk by all ports | 150 mA |
| Maximum current sourced by all ports (Note 2)..... | 150 mA |

- Note 1:** Stresses above those listed under “**Absolute Maximum Ratings**” may cause permanent damage to the device. This is a stress rating only and functional operation of the device at those or any other conditions, above those indicated in the operation listings of this specification, is not implied. Exposure to maximum rating conditions for extended periods may affect device reliability.
- 2:** Maximum allowable current is a function of device maximum power dissipation (see [Table 33-2](#)).
- 3:** See the “[Pin Diagrams](#)” section for the 5V tolerant pins.

PIC32MX1XX/2XX 28/44-PIN XLP FAMILY

33.1 DC Characteristics

TABLE 33-1: OPERATING MIPS VS. VOLTAGE

| Characteristic | VDD Range (in Volts) ⁽¹⁾ | Temp. Range (in °C) | Max. Frequency |
|----------------|--|------------------------|--|
| | | | PIC32MX1XX/2XX 28/44-pin XLP Family |
| DC5 | 2.5-3.6V | -40°C to +85°C | 72 MHz |
| DC5a | 2.5-3.6V | -40°C to +105°C | 72 MHz |

Note 1: Overall functional device operation at $V_{BORMIN} < V_{DD} < V_{DDMIN}$ is tested, but not characterized. All device Analog modules, such as ADC, etc., will function, but with degraded performance below V_{DDMIN} . Refer to parameter BO10 in [Table 33-5](#) for BOR values.

TABLE 33-2: THERMAL OPERATING CONDITIONS

| Rating | Symbol | Minimum | Typical | Maximum | Unit |
|--|--------|-----------------------------|---------|---------|------|
| Industrial Temperature Devices | | | | | |
| Operating Junction Temperature Range | TJ | -40 | — | +125 | °C |
| Operating Ambient Temperature Range | TA | -40 | — | +85 | °C |
| V-temp Temperature Devices | | | | | |
| Operating Junction Temperature Range | TJ | -40 | — | +140 | °C |
| Operating Ambient Temperature Range | TA | -40 | — | +105 | °C |
| Power Dissipation: Internal Chip Power Dissipation: $P_{INT} = V_{DD} \times (I_{DD} - S \times I_{OH})$ I/O Pin Power Dissipation: $I/O = S \times ((V_{DD} - V_{OH}) \times I_{OH}) + S \times (V_{OL} \times I_{OL})$ | PD | PINT + PI/O | | | W |
| Maximum Allowed Power Dissipation | PDMAX | $(T_J - T_A) / \theta_{JA}$ | | | W |

TABLE 33-3: THERMAL PACKAGING CHARACTERISTICS

| Characteristics | Symbol | Typical | Maximum | Unit | Notes |
|---|---------------|---------|---------|------|-------|
| Package Thermal Resistance, 28-pin SOIC | θ_{JA} | 50 | — | °C/W | 1 |
| Package Thermal Resistance, 28-pin QFN | θ_{JA} | 35 | — | °C/W | 1 |
| Package Thermal Resistance, 44-pin QFN | θ_{JA} | 32 | — | °C/W | 1 |
| Package Thermal Resistance, 44-pin TQFP | θ_{JA} | 45 | — | °C/W | 1 |

Note 1: Junction to ambient thermal resistance, Theta-JA (θ_{JA}) numbers are achieved by package simulations.

PIC32MX1XX/2XX 28/44-PIN XLP FAMILY

TABLE 33-4: DC TEMPERATURE AND VOLTAGE SPECIFICATIONS

| DC CHARACTERISTICS | | | Standard Operating Conditions: 2.5V to 3.6V (unless otherwise stated) Operating temperature -40°C ≤ TA ≤ +85°C for Industrial -40°C ≤ TA ≤ +105°C for V-temp | | | | |
|--------------------------|--------|---|---|------|-------|-------|------------|
| Param. No. | Symbol | Characteristics | Min. | Typ. | Max. | Units | Conditions |
| Operating Voltage | | | | | | | |
| DC10 | VDD | Supply Voltage (Note 2) | 2.5 | — | 3.6 | V | — |
| DC12 | VDR | RAM Data Retention Voltage (Note 1) | 2.0 | — | — | V | — |
| DC16 | VPOR | VDD Start Voltage (Note 3) to Ensure Internal Power-on Reset Signal | 1.75 | — | 2.1 | V | — |
| DC17 | SVDD | VDD Rise Rate to Ensure Internal Power-on Reset Signal | 0.00005 | — | 0.115 | V/μs | — |
| DC18 | VBAT | Battery Supply Voltage | 1.94 | — | 3.6 | V | — |

Note 1: This is the limit to which VDD can be lowered without losing RAM data.

2: Overall functional device operation at VBORMIN < VDD < VDDMIN is tested, but not characterized. All device Analog modules, such as ADC, etc., will function, but with degraded performance below VDDMIN. Refer to parameter BO10 in [Table 33-5](#) for BOR values.

3: VDD voltage must remain below VPOR for a minimum of 200 μs to ensure POR.

TABLE 33-5: ELECTRICAL CHARACTERISTICS: BOR

| DC CHARACTERISTICS | | | Standard Operating Conditions: 2.5V to 3.6V (unless otherwise stated) Operating temperature -40°C ≤ TA ≤ +85°C for Industrial -40°C ≤ TA ≤ +105°C for V-Temp | | | | |
|--------------------|--------|---|---|------|-------|-------|------------|
| Param. No. | Symbol | Characteristics | Min. ⁽¹⁾ | Typ. | Max. | Units | Conditions |
| BO10 | VBOR | BOR Event on VDD transition high-to-low (Note 2) | 2.2 | — | 2.384 | V | — |

Note 1: Parameters are for design guidance only and are not tested in manufacturing.

2: Overall functional device operation at VBORMIN < VDD < VDDMIN is tested, but not characterized. All device Analog modules, such as ADC, etc., will function, but with degraded performance below VDDMIN.

PIC32MX1XX/2XX 28/44-PIN XLP FAMILY

TABLE 33-6: LOW-VOLTAGE DETECT CHARACTERISTICS

| DC CHARACTERISTICS | | Standard Operating Conditions: 2.5V to 3.6V (unless otherwise stated) Operating temperature -40°C ≤ TA ≤ +85°C for Industrial -40°C ≤ TA ≤ +105°C for V-temp | | | | | | |
|--------------------|--------|---|---------------------------------|------|------|------|-------|------------|
| Param No. | Symbol | Characteristic | | Min. | Typ. | Max. | Units | Conditions |
| HLV10 | VHLVD | HLVD Voltage on VDD Transition | LVDL<3:0> = 0100 ⁽¹⁾ | — | 3.59 | — | V | — |
| | | | LVDL<3:0> = 0101 | — | 3.44 | — | V | — |
| | | | LVDL<3:0> = 0110 | — | 3.13 | — | V | — |
| | | | LVDL<3:0> = 0111 | — | 2.92 | — | V | — |
| | | | LVDL<3:0> = 1000 | — | 2.81 | — | V | — |
| | | | LVDL<3:0> = 1001 | — | 2.60 | — | V | — |
| | | | LVDL<3:0> = 1010 | — | 2.50 | — | V | — |
| HLV11 | VHThL | HLVD Voltage on HLVDIN Pin Transition | LVDL<3:0> = 1111 | — | 1.20 | — | V | — |

Note 1: Trip points for values of HLVD<3:0>, from '0000' to '0011' and '1001' to '1110' are not implemented.

PIC32MX1XX/2XX 28/44-PIN XLP FAMILY

TABLE 33-7: DC CHARACTERISTICS: OPERATING CURRENT (IDD)

| DC CHARACTERISTICS | | | Standard Operating Conditions: 2.5V to 3.6V (unless otherwise stated) Operating temperature $-40^{\circ}\text{C} \leq T_A \leq +85^{\circ}\text{C}$ for Industrial $-40^{\circ}\text{C} \leq T_A \leq +105^{\circ}\text{C}$ for V-temp | |
|--|------------------------|------|---|---|
| Parameter No. | Typical ⁽³⁾ | Max. | Units | Conditions |
| Operating Current (IDD) (Notes 1, 2, 5) | | | | |
| DC20 | 1.7 | — | mA | 4 MHz (Note 4) |
| DC21 | 4 | — | mA | 10 MHz |
| DC22 | 12.5 | — | mA | 30 MHz (Note 4) |
| DC23 | 20 | — | mA | 50 MHz (Note 4) |
| DC24 | 29 | — | mA | 72 MHz |
| DC25 | 100 | — | μA | +25°C, 3.3V LPRC (31 kHz) (Note 4) |

Note 1: A device's IDD supply current is mainly a function of the operating voltage and frequency. Other factors, such as PBCLK (Peripheral Bus Clock) frequency, number of peripheral modules enabled, internal code execution pattern, execution from Program Flash memory vs. SRAM, I/O pin loading and switching rate, oscillator type, as well as temperature, can have an impact on the current consumption.

2: The test conditions for IDD measurements are as follows:

- Oscillator mode is EC (for 8 MHz and below) and EC+PLL (for above 8 MHz) with OSC1 driven by external square wave from rail-to-rail, (OSC1 input clock input over/undershoot < 100 mV required)
- OSC2/CLKO is configured as an I/O input pin
- USB PLL oscillator is disabled if the USB module is implemented, PBCLK divisor = 1:8
- CPU, Program Flash, and SRAM data memory are operational, SRAM data memory Wait states = 1
- No peripheral modules are operating, (ON bit = 0), but the associated PMD bit is cleared
- WDT, Clock Switching, Fail-Safe Clock Monitor, and Secondary Oscillator are disabled
- All I/O pins are configured as inputs and pulled to Vss
- $\overline{\text{MCLR}} = V_{\text{DD}}$
- CPU executing `while(1)` statement from Flash
- RTCC and JTAG are disabled

3: Data in "Typical" column is at 3.3V, 25°C at specified operating frequency unless otherwise stated. Parameters are for design guidance only and are not tested.

4: This parameter is characterized, but not tested in manufacturing.

5: IPD electrical characteristics for devices with 256 KB Flash are only provided as Preliminary information.

PIC32MX1XX/2XX 28/44-PIN XLP FAMILY

TABLE 33-8: DC CHARACTERISTICS: IDLE CURRENT (I_{IDLE})

| DC CHARACTERISTICS | | | Standard Operating Conditions: 2.5V to 3.6V (unless otherwise stated) Operating temperature -40°C ≤ T _A ≤ +85°C for Industrial -40°C ≤ T _A ≤ +105°C for V-temp | | | |
|--|------------------------|------|---|-----------------|------|---------------------------|
| Parameter No. | Typical ⁽²⁾ | Max. | Units | Conditions | | |
| Idle Current (I_{IDLE}): Core Off, Clock on Base Current (Notes 1, 4) | | | | | | |
| DC30a | 0.6 | — | mA | 4 MHz (Note 3) | | |
| DC31a | 1.5 | — | mA | 10 MHz | | |
| DC32a | 4.5 | — | mA | 30 MHz (Note 3) | | |
| DC33a | 7.5 | — | mA | 50 MHz (Note 3) | | |
| DC34a | 10.5 | — | mA | 72 MHz | | |
| DC37a | 100 | — | μA | -40°C | 3.3V | LPRC (31 kHz) (Note 3) |
| DC37b | 250 | — | μA | +25°C | | |
| DC37c | 380 | — | μA | +85°C | | |

Note 1: The test conditions for I_{IDLE} current measurements are as follows:

- Oscillator mode is EC (for 8 MHz and below) and EC+PLL (for above 8 MHz) with OSC1 driven by external square wave from rail-to-rail, (OSC1 input clock input over/undershoot < 100 mV required)
 - OSC2/CLKO is configured as an I/O input pin
 - USB PLL oscillator is disabled if the USB module is implemented, PBCLK divisor = 1:8
 - CPU is in Idle mode (CPU core Halted), and SRAM data memory Wait states = 1
 - No peripheral modules are operating, (ON bit = 0), but the associated PMD bit is cleared
 - WDT, Clock Switching, Fail-Safe Clock Monitor, and Secondary Oscillator are disabled
 - All I/O pins are configured as inputs and pulled to V_{SS}
 - $\overline{\text{MCLR}} = \text{V}_{\text{DD}}$
 - RTCC and JTAG are disabled
- 2:** Data in the “Typical” column is at 3.3V, 25°C unless otherwise stated. Parameters are for design guidance only and are not tested.
- 3:** This parameter is characterized, but not tested in manufacturing.
- 4:** I_{IDLE} electrical characteristics for devices with 256 KB Flash are only provided as Preliminary information.

PIC32MX1XX/2XX 28/44-PIN XLP FAMILY

TABLE 33-9: DC CHARACTERISTICS: POWER-DOWN CURRENT (IPD)

| DC CHARACTERISTICS | | | Standard Operating Conditions: 2.5V to 3.6V (unless otherwise stated) Operating temperature -40°C ≤ TA ≤ +85°C for Industrial -40°C ≤ TA ≤ +105°C for V-Temp | | |
|--|------------------------|---------|--|------------|---|
| Param. No. | Typical ⁽²⁾ | Maximum | Units | Conditions | |
| Power-Down Current (IPD) (Note 1) | | | | | |
| DC40k | — | — | μA | -40°C | Sleep (Note 1) |
| DC40l | 25 | 42 | μA | +25°C | |
| DC40m | 240 | 390 | μA | +85°C | |
| DC40n | — | — | μA | +105°C | |
| DC41k | — | — | nA | -40°C | Deep Sleep (Note 5) |
| DC41l | 673 | 800 | nA | +25°C | |
| DC41m | — | — | nA | +85°C | |
| DC41n | — | — | nA | +105°C | |
| DC42k | — | — | nA | -40°C | VBAT (Note 6) |
| DC42l | — | — | nA | +25°C | |
| DC42m | — | — | nA | +85°C | |
| DC42n | — | — | nA | +105°C | |
| Module Differential Current | | | | | |
| DC44a | 5 | — | μA | 3.6V | Watchdog Timer Current: ΔI _{WDT} (Note 3) |
| DC44b | 23 | — | μA | 3.6V | RTCC + Timer1 w/32 kHz Crystal: ΔI _{RTCC} + ΔI _{TMR} (Note 3) |
| DC44c | 1000 | — | mA | 3.6V | ADC Current: ΔI _{ADC} (Notes 3, 4) |
| DC44d | 15 | — | μA | 3.6V | Deadman Timer Current: ΔI _{DMT} |
| DC44e | 0.71 | — | μA | 3.6V | Deep Sleep Watchdog Timer Current: ΔI _{DSWDT} (Note 3) |
| DC44f | 0.8 | — | μA | 3.6V | RTCC Current: ΔI _{RTCC} (Note 3) |

Note 1: The test conditions for IPD current measurements are as follows:

- Oscillator mode is EC (for 8 MHz and below) and EC+PLL (for above 8 MHz) with OSC1 driven by external square wave from rail-to-rail, (OSC1 input clock input over/undershoot < 100 mV required)
 - OSC2/CLKO is configured as an I/O input pin
 - USB PLL is disabled (USBMD = 1), VUSB3V3 is connected to Vss
 - CPU is in Sleep mode
 - L1 Cache and Prefetch modules are disabled
 - No peripheral modules are operating, (ON bit = 0), and the associated PMD bit is set. All clocks are disabled ON bit (PBxDIV<15>) = 0 (x ≠ 1,7)
 - WDT, DMT, Clock Switching, Fail-Safe Clock Monitor, and Secondary Oscillator are disabled
 - All I/O pins are configured as inputs and pulled to Vss
 - MCLR = VDD
 - RTCC and JTAG are disabled
 - Voltage regulator is in Stand-by mode (VREGS = 0; IOANCPEN = 0)
- 2:** Data in the “Typical” column is at 3.3V, +25°C unless otherwise stated. Parameters are for design guidance only and are not tested.
- 3:** The Δ current is the additional current consumed when the module is enabled. This current should be added to the base IPD current.
- 4:** Voltage regulator is operational (VREGS = 1).
- 5:** The test conditions for Deep Sleep mode current measurements are as follows:
- All I/O pins are configured as inputs and pulled to Vss
 - DSBORN, DSWDTEN, and DGPREN are set to ‘0’ and RTCDIS is set to ‘1’
- 6:** The test conditions for VBAT mode current measurements is as follows:
- VBATBORN is set to ‘0’

PIC32MX1XX/2XX 28/44-PIN XLP FAMILY

TABLE 33-10: DC CHARACTERISTICS: I/O PIN INPUT SPECIFICATIONS

| DC CHARACTERISTICS | | | Standard Operating Conditions: 2.5V to 3.6V (unless otherwise stated) Operating temperature $-40^{\circ}\text{C} \leq T_A \leq +85^{\circ}\text{C}$ for Industrial $-40^{\circ}\text{C} \leq T_A \leq +105^{\circ}\text{C}$ for V-temp | | | | |
|--------------------|-----------------|--|---|------------------------|----------------------|-------|---|
| Param. No. | Symbol | Characteristics | Min. | Typical ⁽¹⁾ | Max. | Units | Conditions |
| D110 | V _{IL} | Input Low Voltage I/O Pins with PMP | V _{SS} | — | 0.15 V _{DD} | V | SMBus disabled (Note 4) SMBus enabled (Note 4) |
| D118 | | I/O Pins SDAx, SCLx | V _{SS} | — | 0.2 V _{DD} | V | |
| D119 | | SDAx, SCLx | V _{SS} | — | 0.3 V _{DD} | V | |
| | | | | | 0.8 | V | |
| D120 | V _{IH} | Input High Voltage I/O Pins not 5V-tolerant ⁽⁵⁾ | 0.65 V _{DD} | — | V _{DD} | V | (Note 4,6) (Note 4,6) SMBus disabled (Note 4,6) SMBus enabled, 2.0V ≤ V _{PIN} ≤ 5.5 (Note 4,6) |
| | | I/O Pins 5V-tolerant with PMP ⁽⁵⁾ | 0.25 V _{DD} + 0.8V | — | 5.5 | V | |
| D128 | | I/O Pins 5V-tolerant ⁽⁵⁾ SDAx, SCLx | 0.65 V _{DD} | — | 5.5 | V | |
| D129 | | SDAx, SCLx | 2.1 | — | 5.5 | V | |
| D130 | ICNPU | Change Notification Pull-up Current | 400 | 250 | 50 | μA | V _{DD} = 3.3V, V _{PIN} = V _{SS} (Note 3,6) |
| D131 | ICNPD | Change Notification Pull-down Current⁽⁴⁾ | -400 | -250 | -50 | μA | V _{DD} = 3.3V, V _{PIN} = V _{DD} |
| D150 | I _{IL} | Input Leakage Current (Note 3) I/O Ports | — | — | ±1 | μA | V _{SS} ≤ V _{PIN} ≤ V _{DD} , Pin at high-impedance V _{SS} ≤ V _{PIN} ≤ V _{DD} , Pin at high-impedance V _{SS} ≤ V _{PIN} ≤ V _{DD} V _{SS} ≤ V _{PIN} ≤ V _{DD} , XT and HS modes |
| D151 | | Analog Input Pins | — | — | ±1 | μA | |
| D155 | | $\overline{\text{MCLR}}^{(2)}$ | — | — | ±1 | μA | |
| D156 | | OSC1 | — | — | ±1 | μA | |

Note 1: Data in “Typical” column is at 3.3V, 25°C unless otherwise stated. Parameters are for design guidance only and are not tested.

- 2: The leakage current on the $\overline{\text{MCLR}}$ pin is strongly dependent on the applied voltage level. The specified levels represent normal operating conditions. Higher leakage current may be measured at different input voltages.
- 3: Negative current is defined as current sourced by the pin.
- 4: This parameter is characterized, but not tested in manufacturing.
- 5: See the “Pin Diagrams” section for the 5V-tolerant pins.
- 6: The V_{IH} specifications are only in relation to externally applied inputs, and not with respect to the user-selectable internal pull-ups. External open drain input signals utilizing the internal pull-ups of the PIC32 device are guaranteed to be recognized only as a logic “high” internally to the PIC32 device, provided that the external load does not exceed the minimum value of ICNPU. For External “input” logic inputs that require a pull-up source, to guarantee the minimum V_{IH} of those components, it is recommended to use an external pull-up resistor rather than the internal pull-ups of the PIC32 device.

PIC32MX1XX/2XX 28/44-PIN XLP FAMILY

TABLE 33-11: DC CHARACTERISTICS: I/O PIN INPUT INJECTION CURRENT SPECIFICATIONS

| DC CHARACTERISTICS | | | Standard Operating Conditions: 2.5V to 3.6V (unless otherwise stated) Operating temperature -40°C ≤ TA ≤ +85°C for Industrial -40°C ≤ TA ≤ +105°C for V-temp | | | | |
|--------------------|-------------------|--|---|---------------------|-----------------------|-------|--|
| Param. No. | Symbol | Characteristics | Min. | Typ. ⁽¹⁾ | Max. | Units | Conditions |
| DI60a | I _{ICL} | Input Low Injection Current | 0 | — | -5 ^(2,5) | mA | This parameter applies to all pins, with the exception of the power pins. |
| DI60b | I _{ICH} | Input High Injection Current | 0 | — | +5 ^(3,4,5) | mA | This parameter applies to all pins, with the exception of all 5V tolerant pins, and the SOSC1, SOSCO, OSC1, D+, and D- pins. |
| DI60c | ∑I _{ICT} | Total Input Injection Current (sum of all I/O and Control pins) | -20 ⁽⁶⁾ | — | +20 ⁽⁶⁾ | mA | Absolute instantaneous sum of all ± input injection currents from all I/O pins (I _{ICL} + I _{ICH}) ≤ ∑I _{ICT}) |

- Note 1:** Data in “Typical” column is at 3.3V, +25°C unless otherwise stated. Parameters are for design guidance only and are not tested.
- 2:** V_{IL} source < (V_{SS} - 0.3). Characterized but not tested.
- 3:** V_{IH} source > (V_{DD} + 0.3) for non-5V tolerant pins only.
- 4:** Digital 5V tolerant pins do not have an internal high side diode to V_{DD}, and therefore, cannot tolerate any “positive” input injection current.
- 5:** Injection currents > | 0 | can affect the ADC results by approximately 4 to 6 counts (i.e., V_{IH} Source > (V_{DD} + 0.3) or V_{IL} source < (V_{SS} - 0.3)).
- 6:** Any number and/or combination of I/O pins not excluded under I_{ICL} or I_{ICH} conditions are permitted provided the “absolute instantaneous” sum of the input injection currents from all pins do not exceed the specified limit. If **Note 2**, I_{ICL} = ((V_{SS} - 0.3) - V_{IL} source) / R_S). If **Note 3**, I_{ICH} = ((I_{ICH} source - (V_{DD} + 0.3)) / R_S). R_S = Resistance between input source voltage and device pin. If (V_{SS} - 0.3) ≤ V_{SOURCE} ≤ (V_{DD} + 0.3), injection current = 0.

PIC32MX1XX/2XX 28/44-PIN XLP FAMILY

TABLE 33-12: DC CHARACTERISTICS: I/O PIN OUTPUT SPECIFICATIONS

| DC CHARACTERISTICS | | | Standard Operating Conditions: 2.5V to 3.6V (unless otherwise stated) Operating temperature -40°C ≤ TA ≤ +85°C for Industrial -40°C ≤ TA ≤ +105°C for V-temp | | | | |
|--------------------|--------|--|---|------|------|-------|--------------------------------------|
| Param. | Symbol | Characteristic | Min. | Typ. | Max. | Units | Conditions |
| DO10 | VoL | Output Low Voltage I/O Pins | — | — | 0.4 | V | IOL ≤ 10 mA, VDD = 3.3V |
| DO20 | VoH | Output High Voltage I/O Pins | 1.5 ⁽¹⁾ | — | — | V | I _{OH} ≥ -14 mA, VDD = 3.3V |
| | | | 2.0 ⁽¹⁾ | — | — | | I _{OH} ≥ -12 mA, VDD = 3.3V |
| | | | 2.4 | — | — | | I _{OH} ≥ -10 mA, VDD = 3.3V |
| | | | 3.0 ⁽¹⁾ | — | — | | I _{OH} ≥ -7 mA, VDD = 3.3V |

Note 1: Parameters are characterized, but not tested.

PIC32MX1XX/2XX 28/44-PIN XLP FAMILY

TABLE 33-13: DC CHARACTERISTICS: PROGRAM MEMORY

| DC CHARACTERISTICS | | | Standard Operating Conditions: 2.5V to 3.6V (unless otherwise stated) Operating temperature $-40^{\circ}\text{C} \leq T_A \leq +85^{\circ}\text{C}$ for Industrial $-40^{\circ}\text{C} \leq T_A \leq +105^{\circ}\text{C}$ for V-temp | | | | |
|---|--------|-----------------------------------|---|------------------------|------|------------|---|
| Param. No. | Symbol | Characteristics | Min. | Typical ⁽¹⁾ | Max. | Units | Conditions |
| Program Flash Memory⁽³⁾ | | | | | | | |
| D130 | EP | Cell Endurance | 20,000 | — | — | E/W | — |
| D131 | VPR | VDD for Read | 2.5 | — | 3.6 | V | — |
| D132 | VPEW | VDD for Erase or Write | 2.5 | — | 3.6 | V | — |
| D134 | TRETD | Characteristic Retention | 10 | — | — | Year | Provided no other specifications are violated |
| D135 | IDDP | Supply Current during Programming | — | 10 | — | mA | — |
| D136 | TWW | Word Write Cycle Time | — | 471 | — | FRC Cycles | See Note 4 |
| | TRW | Row Write Cycle Time | — | 8020 | — | | See Note 2,4 |
| | TPE | Page Erase Cycle Time | — | 240114 | — | | See Note 4 |
| | TCE | Chip Erase Cycle Time | — | 640304 | — | | See Note 4 |

Note 1: Data in “Typical” column is at 3.3V, 25°C unless otherwise stated.

2: The minimum SYSCLK for row programming is 4 MHz. Care should be taken to minimize bus activities during row programming, such as suspending any memory-to-memory DMA operations. If heavy bus loads are expected, selecting Bus Matrix Arbitration mode 2 (rotating priority) may be necessary. The default Arbitration mode is mode 1 (CPU has lowest priority).

3: Refer to the “PIC32 Flash Programming Specification” (DS60001145) for operating conditions during programming and erase cycles.

4: This parameter depends on FRC accuracy (See [Table 33-20](#)) and FRC tuning values (See [Register 8-2](#)).

PIC32MX1XX/2XX 28/44-PIN XLP FAMILY

TABLE 33-14: COMPARATOR SPECIFICATIONS

| DC CHARACTERISTICS | | | Standard Operating Conditions (see Note 4): 2.5V to 3.6V (unless otherwise stated) Operating temperature $-40^{\circ}\text{C} \leq T_A \leq +85^{\circ}\text{C}$ for Industrial $-40^{\circ}\text{C} \leq T_A \leq +105^{\circ}\text{C}$ for V-temp | | | | |
|--------------------|--------|--|--|---------|------|---------------|---|
| Param. No. | Symbol | Characteristics | Min. | Typical | Max. | Units | Comments |
| D300 | VIOFF | Input Offset Voltage | -10 | — | +10 | mV | AVDD = VDD, AVSS = VSS |
| D301 | VICM | Input Common Mode Voltage | 0 | — | VDD | V | AVDD = VDD, AVSS = VSS (Note 2) |
| D302 | CMRR | Common Mode Rejection Ratio | 70 | — | — | dB | Max VICM = (VDD - 1)V (Note 2) |
| D303A | TRESP | Large Signal Response Time | — | 100 | 80 | ns | AVDD = VDD, AVSS = VSS (Note 1,2) |
| D303B | TSRESP | Small Signal Response Time | — | 50 | 160 | ns | This is defined as an input step of 50 mV with 15 mV of overdrive (Note 2) |
| D304 | ON2OV | Comparator Enabled to Output Valid | — | — | 110 | μs | Comparator module is configured before setting the comparator ON bit (Note 2) |
| D305 | IVREF | Internal Voltage Reference | 1.16 | 1.2 | 1.24 | V | — |
| D312 | TSET | Internal Comparator Voltage DRC Reference Setting time | — | — | 1 | μs | (Note 3) |

- Note 1:** Response time measured with one comparator input at $(V_{DD} - 1.5)/2$, while the other input transitions from VSS to VDD.
- 2:** These parameters are characterized but not tested.
- 3:** Settling time measured while CVRR = 1 and CVR<3:0> transitions from '0000' to '1111'. This parameter is characterized, but not tested in manufacturing.
- 4:** The Comparator module is functional at $V_{BORMIN} < V_{DD} < V_{DDMIN}$, but with degraded performance. Unless otherwise stated, module functionality is tested, but not characterized.

PIC32MX1XX/2XX 28/44-PIN XLP FAMILY

TABLE 33-15: COMPARATOR VOLTAGE REFERENCE SPECIFICATIONS

| DC CHARACTERISTICS | | | Standard Operating Conditions: 2.5V to 3.6V (unless otherwise stated) Operating temperature -40°C ≤ TA ≤ +85°C for Industrial -40°C ≤ TA ≤ +105°C for V-temp | | | | |
|--------------------|---------|---|---|------|--------------------|-------|---|
| Param. No. | Symbol | Characteristics | Min. | Typ. | Max. | Units | Comments |
| D312 | TSET | Internal 4-bit DAC Comparator Reference Settling time | — | — | 10 | µs | See Note 1 |
| D313 | DACREFH | CVREF Input Voltage Reference Range | AVSS | — | AVDD | V | CVRSRC with CVRSS = 0 |
| | | | VREF- | — | VREF+ | V | CVRSRC with CVRSS = 1 |
| D314 | DVREF | CVREF Programmable Output Range | 0 | — | 0.625 x DACREFH | V | 0 to 0.625 DACREFH with DACREFH/24 step size |
| | | | 0.25 x DACREFH | — | 0.719 x DACREFH | V | 0.25 x DACREFH to 0.719 DACREFH with DACREFH/32 step size |
| D315 | DACRES | Resolution | — | — | DACREFH/24 | — | CVRCON<CVRR> = 1 |
| | | | — | — | DACREFH/32 | — | CVRCON<CVRR> = 0 |
| D316 | DACACC | Absolute Accuracy ⁽²⁾ | — | — | 1/4 | LSB | DACREFH/24, CVRCON<CVRR> = 1 |
| | | | — | — | 1/2 | LSB | DACREFH/32, CVRCON<CVRR> = 0 |

Note 1: Settling time was measured while CVRR = 1 and CVR<3:0> transitions from '0000' to '1111'. This parameter is characterized, but is not tested in manufacturing.

2: These parameters are characterized but not tested.

TABLE 33-16: INTERNAL VOLTAGE REGULATOR SPECIFICATIONS

| DC CHARACTERISTICS | | | Standard Operating Conditions: 2.5V to 3.6V (unless otherwise stated) Operating temperature -40°C ≤ TA ≤ +85°C for Industrial -40°C ≤ TA ≤ +105°C for V-temp | | | | |
|--------------------|--------|---------------------------------|---|---------|------|-------|--|
| Param. No. | Symbol | Characteristics | Min. | Typical | Max. | Units | Comments |
| D321 | CEFC | External Filter Capacitor Value | 8 | 10 | — | µF | Capacitor must be low series resistance (1 ohm). Typical voltage on the VCAP pin is 1.8V. |

PIC32MX1XX/2XX 28/44-PIN XLP FAMILY

33.2 AC Characteristics and Timing Parameters

The information contained in this section defines PIC32MX1XX/2XX 28/44-pin XLP Family AC characteristics and timing parameters.

FIGURE 33-1: LOAD CONDITIONS FOR DEVICE TIMING SPECIFICATIONS



TABLE 33-17: CAPACITIVE LOADING REQUIREMENTS ON OUTPUT PINS

| AC CHARACTERISTICS | | | Standard Operating Conditions: 2.5V to 3.6V (unless otherwise stated) Operating temperature $-40^\circ\text{C} \leq T_A \leq +85^\circ\text{C}$ for Industrial $-40^\circ\text{C} \leq T_A \leq +105^\circ\text{C}$ for V-temp | | | | |
|--------------------|-----------------|-----------------------|---|------------------------|------|-------|---|
| Param. No. | Symbol | Characteristics | Min. | Typical ⁽¹⁾ | Max. | Units | Conditions |
| DO50 | Cosco | OSC2 pin | — | — | 15 | pF | In XT and HS modes when an external crystal is used to drive OSC1 |
| DO56 | C _{IO} | All I/O pins and OSC2 | — | — | 50 | pF | EC mode |
| DO58 | C _B | SCLx, SDAx | — | — | 400 | pF | In I ² C mode |

Note 1: Data in “Typical” column is at 3.3V, 25°C unless otherwise stated. Parameters are for design guidance only and are not tested.

FIGURE 33-2: EXTERNAL CLOCK TIMING



PIC32MX1XX/2XX 28/44-PIN XLP FAMILY

TABLE 33-18: EXTERNAL CLOCK TIMING REQUIREMENTS

| AC CHARACTERISTICS | | | Standard Operating Conditions: 2.5V to 3.6V (unless otherwise stated) Operating temperature -40°C ≤ TA ≤ +85°C for Industrial -40°C ≤ TA ≤ +105°C for V-temp | | | | |
|--------------------|---------------|--|---|---------------------|------|-------|---------------------------------------|
| Param. No. | Symbol | Characteristics | Min. | Typ. ⁽¹⁾ | Max. | Units | Conditions |
| OS10 | Fosc | External CLKI Frequency (External clocks allowed only in EC and ECPLL modes) | DC | — | 50 | MHz | EC (Note 3) |
| OS13 | | Oscillator Crystal Frequency | 10 | — | 25 | MHz | HS (Note 3) |
| OS15 | | | 32 | 32.768 | 100 | kHz | Sosc (Note 3) |
| OS20 | Tosc | Tosc = 1/Fosc = Tcy (Note 2) | — | — | — | — | See parameter OS10 for Fosc value |
| OS30 | TosL, TosH | External Clock In (OSC1) High or Low Time | 0.375 x Tosc | — | — | ns | EC (Note 3) |
| OS31 | TosR, TosF | External Clock In (OSC1) Rise or Fall Time | — | — | 7.5 | ns | EC (Note 3) |
| OS40 | TOST | Oscillator Start-up Timer Period (Only applies to HS, HSPLL, XT, XTPLL and Sosc Clock Oscillator modes) | — | 1024 | — | Tosc | (Note 3) |
| OS41 | TFSCM | Primary Clock Fail Safe Time-out Period | — | 2 | — | ms | (Note 3) |
| OS42 | GM | External Oscillator Transconductance (Primary Oscillator only) | 14 | 16 | 18 | mA/V | VDD = 3.3V, TA = +25°C (Note 3) |

Note 1: Data in “Typical” column is at 3.3V, 25°C unless otherwise stated. Parameters are characterized but are not tested.

2: Instruction cycle period (Tcy) equals the input oscillator time base period. All specified values are based on characterization data for that particular oscillator type under standard operating conditions with the device executing code. Exceeding these specified limits may result in an unstable oscillator operation and/or higher than expected current consumption. All devices are tested to operate at “min.” values with an external clock applied to the OSC1/CLKI pin.

3: This parameter is characterized, but not tested in manufacturing.

PIC32MX1XX/2XX 28/44-PIN XLP FAMILY

TABLE 33-19: PLL CLOCK TIMING SPECIFICATIONS

| AC CHARACTERISTICS | | Standard Operating Conditions: 2.5V to 3.6V (unless otherwise stated) Operating temperature -40°C ≤ TA ≤ +85°C for Industrial -40°C ≤ TA ≤ +105°C for V-temp | | | | | |
|--------------------|--------|---|-------|---------|-------|-------|--------------------------------|
| Param. No. | Symbol | Characteristics ⁽¹⁾ | Min. | Typical | Max. | Units | Conditions |
| OS50 | FIN | PLL Voltage Controlled Oscillator (VCO) Input Frequency Range | 4 | — | 5 | MHz | ECPLL, HSPLL, and FRCPLL modes |
| OS51 | Fsys | On-Chip VCO System Frequency | 60 | — | 120 | MHz | — |
| OS52 | TLOCK | PLL Start-up Time (Lock Time) | — | — | 2 | ms | — |
| OS53 | DCLK | CLKO Stability ⁽²⁾ (Period Jitter or Cumulative) | -0.25 | — | +0.25 | % | Measured over 100 ms period |

Note 1: These parameters are characterized, but not tested in manufacturing.

Note 2: This jitter specification is based on clock-cycle by clock-cycle measurements. To get the effective jitter for individual time-bases on communication clocks, use the following formula:

$$EffectiveJitter = \frac{D_{CLK}}{\sqrt{\frac{SYSCLK}{CommunicationClock}}}$$

For example, if SYSCLK = 40 MHz and SPI bit rate = 20 MHz, the effective jitter is as follows:

$$EffectiveJitter = \frac{D_{CLK}}{\sqrt{\frac{40}{20}}} = \frac{D_{CLK}}{1.41}$$

TABLE 33-20: INTERNAL FRC ACCURACY

| AC CHARACTERISTICS | | Standard Operating Conditions: 2.5V to 3.6V (unless otherwise stated) Operating temperature -40°C ≤ TA ≤ +85°C for Industrial -40°C ≤ TA ≤ +105°C for V-temp | | | | |
|---|-----------------|---|---------|------|-------|------------|
| Param. No. | Characteristics | Min. | Typical | Max. | Units | Conditions |
| Internal FRC Accuracy @ 8.00 MHz⁽¹⁾ | | | | | | |
| F20b | FRC | -0.9 | — | +0.9 | % | — |

Note 1: Frequency calibrated at 25°C and 3.3V. The TUN bits can be used to compensate for temperature drift.

TABLE 33-21: INTERNAL LPRC ACCURACY

| AC CHARACTERISTICS | | Standard Operating Conditions: 2.5V to 3.6V (unless otherwise stated) Operating temperature -40°C ≤ TA ≤ +85°C for Industrial -40°C ≤ TA ≤ +105°C for V-temp | | | | |
|---------------------------------------|-----------------|---|---------|------|-------|------------|
| Param. No. | Characteristics | Min. | Typical | Max. | Units | Conditions |
| LPRC @ 31.25 kHz⁽¹⁾ | | | | | | |
| F21 | LPRC | -15 | — | +15 | % | — |

Note 1: Change of LPRC frequency as VDD changes.

PIC32MX1XX/2XX 28/44-PIN XLP FAMILY

FIGURE 33-3: I/O TIMING CHARACTERISTICS

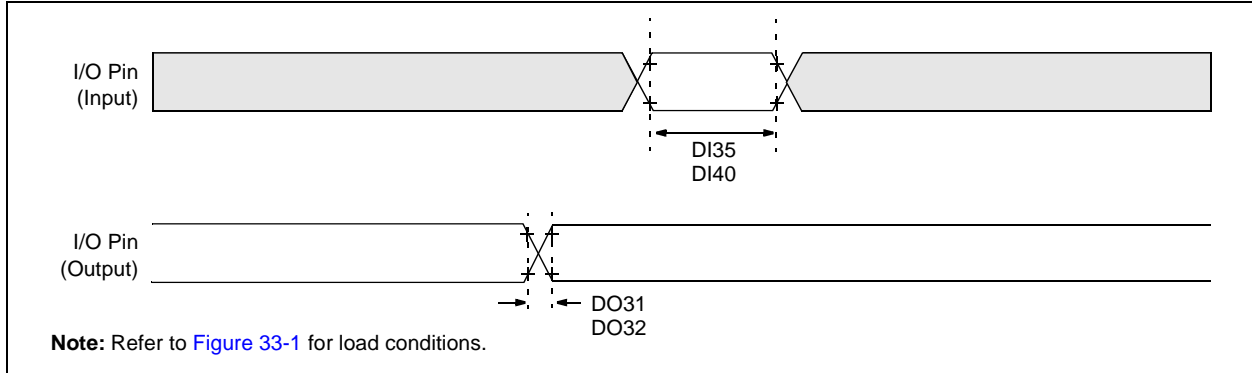


TABLE 33-22: I/O TIMING REQUIREMENTS

| AC CHARACTERISTICS | | Standard Operating Conditions: 2.5V to 3.6V (unless otherwise stated) Operating temperature -40°C ≤ TA ≤ +85°C for Industrial -40°C ≤ TA ≤ +105°C for V-temp | | | | | |
|--------------------|--------|---|------|------------------------|------|---------|------------------------|
| Param. No. | Symbol | Characteristics ⁽²⁾ | Min. | Typical ⁽¹⁾ | Max. | Units | Conditions |
| DO31 | TioR | Port Output Rise Time | — | 5 | 15 | ns | V _{DD} < 2.0V |
| | | | — | 5 | 10 | ns | V _{DD} > 2.0V |
| DO32 | TioF | Port Output Fall Time | — | 5 | 15 | ns | V _{DD} < 2.0V |
| | | | — | 5 | 10 | ns | V _{DD} > 2.0V |
| DI35 | TINP | INTx Pin High or Low Time | 20 | — | — | ns | — |
| DI40 | TRBP | CNx High or Low Time (input) | 2 | 10 | — | TSYSCLK | — |

Note 1: Data in "Typical" column is at 3.3V, 25°C unless otherwise stated.

Note 2: This parameter is characterized, but not tested in manufacturing.

PIC32MX1XX/2XX 28/44-PIN XLP FAMILY

FIGURE 33-4: POWER-ON RESET TIMING CHARACTERISTICS

Internal Voltage Regulator Enabled
Clock Sources = (FRC, FRCDIV, FRCDIV16, FRCPLL, EC, ECPLL and LPRC)



Internal Voltage Regulator Enabled
Clock Sources = (HS, HSPLL, XT, XTPLL and Sosc)



Note 1: The power-up period will be extended if the power-up sequence completes before the device exits from BOR ($V_{DD} < V_{DDMIN}$).

Note 2: Includes internal voltage regulator stabilization delay.

PIC32MX1XX/2XX 28/44-PIN XLP FAMILY

FIGURE 33-5: EXTERNAL RESET TIMING CHARACTERISTICS



TABLE 33-23: RESETS TIMING

| AC CHARACTERISTICS | | | Standard Operating Conditions: 2.5V to 3.6V (unless otherwise stated) Operating temperature $-40^{\circ}\text{C} \leq T_A \leq +85^{\circ}\text{C}$ for Industrial $-40^{\circ}\text{C} \leq T_A \leq +105^{\circ}\text{C}$ for V-temp | | | | |
|--------------------|---------|--|---|---|------|---------------|------------|
| Param. No. | Symbol | Characteristics ⁽¹⁾ | Min. | Typical ⁽²⁾ | Max. | Units | Conditions |
| SY00 | TPU | Power-up Period Internal Voltage Regulator Enabled | — | 400 | 600 | μs | — |
| SY02 | TSYSDLY | System Delay Period: Time Required to Reload Device Configuration Fuses plus SYSCLK Delay before First instruction is Fetched. | — | $1 \mu\text{s} +$ 8 SYSCLK cycles | — | — | — |
| SY20 | TMCLR | MCLR Pulse Width (low) | — | 2 | — | μs | — |
| SY30 | TBOR | BOR Pulse Width (low) | — | 1 | — | μs | — |

Note 1: These parameters are characterized, but not tested in manufacturing.

Note 2: Data in "Typ" column is at 3.3V, 25°C unless otherwise stated. Characterized by design but not tested.

PIC32MX1XX/2XX 28/44-PIN XLP FAMILY

FIGURE 33-6: TIMER1 - TIMER5 EXTERNAL CLOCK TIMING CHARACTERISTICS



TABLE 33-24: TIMER1 EXTERNAL CLOCK TIMING REQUIREMENTS

| AC CHARACTERISTICS ⁽¹⁾ | | Standard Operating Conditions: 2.5V to 3.6V (unless otherwise stated) Operating temperature -40°C ≤ TA ≤ +85°C for Industrial -40°C ≤ TA ≤ +105°C for V-temp | | | | | | |
|-----------------------------------|-----------------------|---|------------------------------|--|---------|------|-------|---|
| Param. No. | Symbol | Characteristics ⁽²⁾ | | Min. | Typical | Max. | Units | Conditions |
| TA10 | T _{TxH} | TxCK High Time | Synchronous, with prescaler | $[(12.5 \text{ ns or } 1 \text{ TPB})/N] + 25 \text{ ns}$ | — | — | ns | Must also meet parameter TA15 |
| | | | Asynchronous, with prescaler | 10 | — | — | ns | — |
| TA11 | T _{TxL} | TxCK Low Time | Synchronous, with prescaler | $[(12.5 \text{ ns or } 1 \text{ TPB})/N] + 25 \text{ ns}$ | — | — | ns | Must also meet parameter TA15 |
| | | | Asynchronous, with prescaler | 10 | — | — | ns | — |
| TA15 | T _{TxP} | TxCK Input Period | Synchronous, with prescaler | $[(\text{Greater of } 25 \text{ ns or } 2 \text{ TPB})/N] + 30 \text{ ns}$ | — | — | ns | V _{DD} > 2.7V |
| | | | | $[(\text{Greater of } 25 \text{ ns or } 2 \text{ TPB})/N] + 50 \text{ ns}$ | — | — | ns | V _{DD} < 2.7V |
| | | | Asynchronous, with prescaler | 20 | — | — | ns | V _{DD} > 2.7V (Note 3) |
| | | | | 50 | — | — | ns | V _{DD} < 2.7V (Note 3) |
| OS60 | F _{T1} | SOSC1/T1CK Oscillator Input Frequency Range (oscillator enabled by setting the TCS (T1CON<1>) bit) | | 32 | — | 50 | kHz | — |
| TA20 | T _{CKEXTMRL} | Delay from External TxCK Clock Edge to Timer Increment | | — | — | 1 | TPB | — |

Note 1: Timer1 is a Type A timer.

Note 2: This parameter is characterized, but not tested in manufacturing.

Note 3: N = Prescale Value (1, 8, 64, 256).

PIC32MX1XX/2XX 28/44-PIN XLP FAMILY

TABLE 33-25: TIMER2, 3, 4, 5 EXTERNAL CLOCK TIMING REQUIREMENTS

| AC CHARACTERISTICS | | Standard Operating Conditions: 2.5V to 3.6V (unless otherwise stated) Operating temperature $-40^{\circ}\text{C} \leq T_A \leq +85^{\circ}\text{C}$ for Industrial $-40^{\circ}\text{C} \leq T_A \leq +105^{\circ}\text{C}$ for V-temp | | | | | |
|--------------------|-----------|---|-----------------------------|--|------|-------|---|
| Param. No. | Symbol | Characteristics ⁽¹⁾ | | Min. | Max. | Units | Conditions |
| TB10 | TtXH | TxCK High Time | Synchronous, with prescaler | $[(12.5 \text{ ns or } 1 \text{ TPB})/N] + 25 \text{ ns}$ | — | ns | Must also meet parameter TB15 N = prescale value (1, 2, 4, 8, 16, 32, 64, 256) |
| TB11 | TtXL | TxCK Low Time | Synchronous, with prescaler | $[(12.5 \text{ ns or } 1 \text{ TPB})/N] + 25 \text{ ns}$ | — | ns | Must also meet parameter TB15 |
| TB15 | TtXP | TxCK Input Period | Synchronous, with prescaler | $[(\text{Greater of } [(25 \text{ ns or } 2 \text{ TPB})/N] + 30 \text{ ns})]$ | — | ns | $V_{DD} > 2.7\text{V}$ |
| | | | | $[(\text{Greater of } [(25 \text{ ns or } 2 \text{ TPB})/N] + 50 \text{ ns})]$ | — | ns | $V_{DD} < 2.7\text{V}$ |
| TB20 | TCKEXTMRL | Delay from External TxCK Clock Edge to Timer Increment | | — | 1 | TPB | — |

Note 1: These parameters are characterized, but not tested in manufacturing.

FIGURE 33-7: INPUT CAPTURE (CAPx) TIMING CHARACTERISTICS

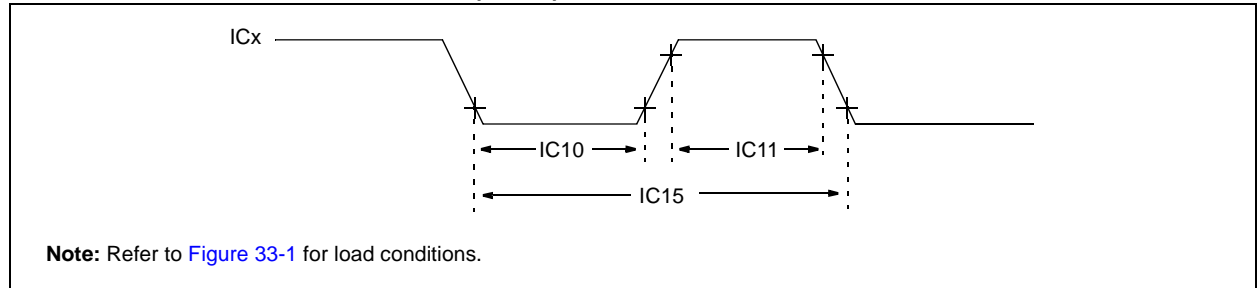


TABLE 33-26: INPUT CAPTURE MODULE TIMING REQUIREMENTS

| AC CHARACTERISTICS | | Standard Operating Conditions: 2.5V to 3.6V (unless otherwise stated) Operating temperature $-40^{\circ}\text{C} \leq T_A \leq +85^{\circ}\text{C}$ for Industrial $-40^{\circ}\text{C} \leq T_A \leq +105^{\circ}\text{C}$ for V-temp | | | | | |
|--------------------|--------|---|--|---|------|-------|---|
| Param. No. | Symbol | Characteristics ⁽¹⁾ | | Min. | Max. | Units | Conditions |
| IC10 | TcCL | ICx Input Low Time | | $[(12.5 \text{ ns or } 1 \text{ TPB})/N] + 25 \text{ ns}$ | — | ns | Must also meet parameter IC15. N = prescale value (1, 4, 16) |
| IC11 | TcCH | ICx Input High Time | | $[(12.5 \text{ ns or } 1 \text{ TPB})/N] + 25 \text{ ns}$ | — | ns | Must also meet parameter IC15. |
| IC15 | TccP | ICx Input Period | | $[(25 \text{ ns or } 2 \text{ TPB})/N] + 50 \text{ ns}$ | — | ns | — |

Note 1: These parameters are characterized, but not tested in manufacturing.

PIC32MX1XX/2XX 28/44-PIN XLP FAMILY

FIGURE 33-8: OUTPUT COMPARE MODULE (OCx) TIMING CHARACTERISTICS



TABLE 33-27: OUTPUT COMPARE MODULE TIMING REQUIREMENTS

| AC CHARACTERISTICS | | | Standard Operating Conditions: 2.5V to 3.6V (unless otherwise stated) Operating temperature -40°C ≤ TA ≤ +85°C for Industrial -40°C ≤ TA ≤ +105°C for V-temp | | | | |
|--------------------|--------|--------------------------------|---|------------------------|------|-------|------------------------------------|
| Param. No. | Symbol | Characteristics ⁽¹⁾ | Min. | Typical ⁽²⁾ | Max. | Units | Conditions |
| OC10 | TccF | OCx Output Fall Time | — | — | — | ns | See parameter DO32 |
| OC11 | TccR | OCx Output Rise Time | — | — | — | ns | See parameter DO31 |

- Note 1:** These parameters are characterized, but not tested in manufacturing.
Note 2: Data in “Typical” column is at 3.3V, 25°C unless otherwise stated. Parameters are for design guidance only and are not tested.

FIGURE 33-9: OCx/PWM MODULE TIMING CHARACTERISTICS



TABLE 33-28: SIMPLE OCx/PWM MODE TIMING REQUIREMENTS

| AC CHARACTERISTICS | | | Standard Operating Conditions: 2.5V to 3.6V (unless otherwise stated) Operating temperature -40°C ≤ TA ≤ +85°C for Industrial -40°C ≤ TA ≤ +105°C for V-temp | | | | |
|--------------------|--------|--------------------------------|---|------------------------|-----|-------|------------|
| Param No. | Symbol | Characteristics ⁽¹⁾ | Min | Typical ⁽²⁾ | Max | Units | Conditions |
| OC15 | TFD | Fault Input to PWM I/O Change | — | — | 50 | ns | — |
| OC20 | TFLT | Fault Input Pulse Width | 50 | — | — | ns | — |

- Note 1:** These parameters are characterized, but not tested in manufacturing.
Note 2: Data in “Typical” column is at 3.3V, 25°C unless otherwise stated. Parameters are for design guidance only and are not tested.

PIC32MX1XX/2XX 28/44-PIN XLP FAMILY

FIGURE 33-10: SPIx MODULE MASTER MODE (CKE = 0) TIMING CHARACTERISTICS



TABLE 33-29: SPIx MASTER MODE (CKE = 0) TIMING REQUIREMENTS

| AC CHARACTERISTICS | | | Standard Operating Conditions: 2.5V to 3.6V (unless otherwise stated) Operating temperature $-40^{\circ}\text{C} \leq T_A \leq +85^{\circ}\text{C}$ for Industrial $-40^{\circ}\text{C} \leq T_A \leq +105^{\circ}\text{C}$ for V-temp | | | | |
|--------------------|-----------------------|---|---|---------------------|------|-------|------------------------------------|
| Param. No. | Symbol | Characteristics ⁽¹⁾ | Min. | Typ. ⁽²⁾ | Max. | Units | Conditions |
| SP10 | TsCL | SCKx Output Low Time (Note 3) | $T_{SCK}/2$ | — | — | ns | — |
| SP11 | TsCH | SCKx Output High Time (Note 3) | $T_{SCK}/2$ | — | — | ns | — |
| SP15 | TsCK | SPI Clock Speed | — | — | 25 | MHz | — |
| SP20 | TscF | SCKx Output Fall Time (Note 4) | — | — | — | ns | See parameter DO32 |
| SP21 | TscR | SCKx Output Rise Time (Note 4) | — | — | — | ns | See parameter DO31 |
| SP30 | TdoF | SDOx Data Output Fall Time (Note 4) | — | — | — | ns | See parameter DO32 |
| SP31 | TdoR | SDOx Data Output Rise Time (Note 4) | — | — | — | ns | See parameter DO31 |
| SP35 | Tsch2doV, TscL2doV | SDOx Data Output Valid after SCKx Edge | — | — | 15 | ns | $V_{DD} > 2.7\text{V}$ |
| | | | — | — | 20 | ns | $V_{DD} < 2.7\text{V}$ |
| SP40 | TdiV2sCH, TdiV2sCL | Setup Time of SDIx Data Input to SCKx Edge | 10 | — | — | ns | — |
| SP41 | Tsch2diL, TscL2diL | Hold Time of SDIx Data Input to SCKx Edge | 10 | — | — | ns | — |

Note 1: These parameters are characterized, but not tested in manufacturing.

Note 2: Data in “Typical” column is at 3.3V, 25°C unless otherwise stated. Parameters are for design guidance only and are not tested.

Note 3: The minimum clock period for SCKx is 50 ns. Therefore, the clock generated in Master mode must not violate this specification.

Note 4: Assumes 50 pF load on all SPIx pins.

PIC32MX1XX/2XX 28/44-PIN XLP FAMILY

FIGURE 33-11: SPIx MODULE MASTER MODE (CKE = 1) TIMING CHARACTERISTICS



TABLE 33-30: SPIx MODULE MASTER MODE (CKE = 1) TIMING REQUIREMENTS

| AC CHARACTERISTICS | | | Standard Operating Conditions: 2.5V to 3.6V (unless otherwise stated) Operating temperature $-40^{\circ}\text{C} \leq T_A \leq +85^{\circ}\text{C}$ for Industrial $-40^{\circ}\text{C} \leq T_A \leq +105^{\circ}\text{C}$ for V-temp | | | | |
|--------------------|-----------------------|--|---|---------------------|------|-------|------------------------------------|
| Param. No. | Symbol | Characteristics ⁽¹⁾ | Min. | Typ. ⁽²⁾ | Max. | Units | Conditions |
| SP10 | TscL | SCKx Output Low Time (Note 3) | $T_{\text{SCK}}/2$ | — | — | ns | — |
| SP11 | TscH | SCKx Output High Time (Note 3) | $T_{\text{SCK}}/2$ | — | — | ns | — |
| SP15 | TscK | SPI Clock Speed | — | — | 25 | MHz | — |
| SP20 | TscF | SCKx Output Fall Time (Note 4) | — | — | — | ns | See parameter DO32 |
| SP21 | TscR | SCKx Output Rise Time (Note 4) | — | — | — | ns | See parameter DO31 |
| SP30 | TdoF | SDOx Data Output Fall Time (Note 4) | — | — | — | ns | See parameter DO32 |
| SP31 | TdoR | SDOx Data Output Rise Time (Note 4) | — | — | — | ns | See parameter DO31 |
| SP35 | Tsch2doV, TscL2doV | SDOx Data Output Valid after SCKx Edge | — | — | 15 | ns | $V_{\text{DD}} > 2.7\text{V}$ |
| | | | — | — | 20 | ns | $V_{\text{DD}} < 2.7\text{V}$ |
| SP36 | TdoV2sc, TdoV2scL | SDOx Data Output Setup to First SCKx Edge | 15 | — | — | ns | — |
| SP40 | TdiV2sch, TdiV2scL | Setup Time of SDIx Data Input to SCKx Edge | 15 | — | — | ns | $V_{\text{DD}} > 2.7\text{V}$ |
| | | | 20 | — | — | ns | $V_{\text{DD}} < 2.7\text{V}$ |
| SP41 | Tsch2diL, TscL2diL | Hold Time of SDIx Data Input to SCKx Edge | 15 | — | — | ns | $V_{\text{DD}} > 2.7\text{V}$ |
| | | | 20 | — | — | ns | $V_{\text{DD}} < 2.7\text{V}$ |

Note 1: These parameters are characterized, but not tested in manufacturing.

2: Data in “Typical” column is at 3.3V, 25°C unless otherwise stated. Parameters are for design guidance only and are not tested.

3: The minimum clock period for SCKx is 50 ns. Therefore, the clock generated in Master mode must not violate this specification.

4: Assumes 50 pF load on all SPIx pins.

PIC32MX1XX/2XX 28/44-PIN XLP FAMILY

FIGURE 33-12: SPIx MODULE SLAVE MODE (CKE = 0) TIMING CHARACTERISTICS



TABLE 33-31: SPIx MODULE SLAVE MODE (CKE = 0) TIMING REQUIREMENTS

| AC CHARACTERISTICS | | | Standard Operating Conditions: 2.5V to 3.6V (unless otherwise stated) Operating temperature $-40^{\circ}\text{C} \leq T_A \leq +85^{\circ}\text{C}$ for Industrial $-40^{\circ}\text{C} \leq T_A \leq +105^{\circ}\text{C}$ for V-temp | | | | |
|--------------------|-----------------------|---|---|---------------------|------|-------|------------------------------------|
| Param. No. | Symbol | Characteristics ⁽¹⁾ | Min. | Typ. ⁽²⁾ | Max. | Units | Conditions |
| SP70 | TscL | SCKx Input Low Time (Note 3) | $T_{\text{SCK}}/2$ | — | — | ns | — |
| SP71 | Tsch | SCKx Input High Time (Note 3) | $T_{\text{SCK}}/2$ | — | — | ns | — |
| SP72 | TscF | SCKx Input Fall Time | — | — | — | ns | See parameter DO32 |
| SP73 | TscR | SCKx Input Rise Time | — | — | — | ns | See parameter DO31 |
| SP30 | TdoF | SDOx Data Output Fall Time (Note 4) | — | — | — | ns | See parameter DO32 |
| SP31 | TdoR | SDOx Data Output Rise Time (Note 4) | — | — | — | ns | See parameter DO31 |
| SP35 | Tsch2doV, TscL2doV | SDOx Data Output Valid after SCKx Edge | — | — | 15 | ns | $V_{\text{DD}} > 2.7\text{V}$ |
| | | | — | — | 20 | ns | $V_{\text{DD}} < 2.7\text{V}$ |
| SP40 | TdIv2scH, TdIv2scL | Setup Time of SDIx Data Input to SCKx Edge | 10 | — | — | ns | — |
| SP41 | Tsch2diL, TscL2diL | Hold Time of SDIx Data Input to SCKx Edge | 10 | — | — | ns | — |
| SP50 | Tssl2scH, Tssl2scL | $\overline{\text{SSx}} \downarrow$ to SCKx \uparrow or SCKx Input | 175 | — | — | ns | — |
| SP51 | Tssh2doZ | $\overline{\text{SSx}} \uparrow$ to SDOx Output High-Impedance (Note 3) | 5 | — | 25 | ns | — |
| SP52 | Tsch2ssH, TscL2ssH | $\overline{\text{SSx}}$ after SCKx Edge | $T_{\text{SCK}} + 20$ | — | — | ns | — |

Note 1: These parameters are characterized, but not tested in manufacturing.

Note 2: Data in "Typical" column is at 3.3V, 25°C unless otherwise stated. Parameters are for design guidance only and are not tested.

Note 3: The minimum clock period for SCKx is 50 ns.

Note 4: Assumes 50 pF load on all SPIx pins.

PIC32MX1XX/2XX 28/44-PIN XLP FAMILY

FIGURE 33-13: SPIx MODULE SLAVE MODE (CKE = 1) TIMING CHARACTERISTICS



TABLE 33-32: SPIx MODULE SLAVE MODE (CKE = 1) TIMING REQUIREMENTS

| AC CHARACTERISTICS | | | Standard Operating Conditions: 2.5V to 3.6V (unless otherwise stated) Operating temperature -40°C ≤ TA ≤ +85°C for Industrial -40°C ≤ TA ≤ +105°C for V-temp | | | | |
|--------------------|-----------------------|--|---|------------------------|----------|-------|------------------------------------|
| Param. No. | Symbol | Characteristics ⁽¹⁾ | Min. | Typical ⁽²⁾ | Max. | Units | Conditions |
| SP70 | TscL | SCKx Input Low Time (Note 3) | Tsck/2 | — | — | ns | — |
| SP71 | Tsch | SCKx Input High Time (Note 3) | Tsck/2 | — | — | ns | — |
| SP72 | TscF | SCKx Input Fall Time | — | 5 | 10 | ns | — |
| SP73 | TscR | SCKx Input Rise Time | — | 5 | 10 | ns | — |
| SP30 | TdoF | SDOx Data Output Fall Time (Note 4) | — | — | — | ns | See parameter DO32 |
| SP31 | TdoR | SDOx Data Output Rise Time (Note 4) | — | — | — | ns | See parameter DO31 |
| SP35 | Tsch2doV, TscL2doV | SDOx Data Output Valid after SCKx Edge | — | — | 20 30 | ns | VDD > 2.7V VDD < 2.7V |
| SP40 | TdIV2sch, TdIV2scL | Setup Time of SDIx Data Input to SCKx Edge | 10 | — | — | ns | — |
| SP41 | Tsch2diL, TscL2diL | Hold Time of SDIx Data Input to SCKx Edge | 10 | — | — | ns | — |
| SP50 | Tssl2sch, Tssl2scL | SSx ↓ to SCKx ↓ or SCKx ↑ Input | 175 | — | — | ns | — |

Note 1: These parameters are characterized, but not tested in manufacturing.

Note 2: Data in “Typical” column is at 3.3V, 25°C unless otherwise stated. Parameters are for design guidance only and are not tested.

Note 3: The minimum clock period for SCKx is 50 ns.

Note 4: Assumes 50 pF load on all SPIx pins.

PIC32MX1XX/2XX 28/44-PIN XLP FAMILY

TABLE 33-32: SPIx MODULE SLAVE MODE (CKE = 1) TIMING REQUIREMENTS (CONTINUED)

| AC CHARACTERISTICS | | | Standard Operating Conditions: 2.5V to 3.6V (unless otherwise stated) Operating temperature $-40^{\circ}\text{C} \leq T_A \leq +85^{\circ}\text{C}$ for Industrial $-40^{\circ}\text{C} \leq T_A \leq +105^{\circ}\text{C}$ for V-temp | | | | |
|--------------------|----------------------|--|---|------------------------|------|-------|------------|
| Param. No. | Symbol | Characteristics ⁽¹⁾ | Min. | Typical ⁽²⁾ | Max. | Units | Conditions |
| SP51 | TssH2dOZ | $\overline{\text{SS}}_x \uparrow$ to SDOx Output High-Impedance (Note 4) | 5 | — | 25 | ns | — |
| SP52 | Tsch2ssH TscL2ssH | $\overline{\text{SS}}_x \uparrow$ after SCKx Edge | Tsck + 20 | — | — | ns | — |
| SP60 | TssL2dOV | SDOx Data Output Valid after $\overline{\text{SS}}_x$ Edge | — | — | 25 | ns | — |

Note 1: These parameters are characterized, but not tested in manufacturing.

2: Data in "Typical" column is at 3.3V, 25°C unless otherwise stated. Parameters are for design guidance only and are not tested.

3: The minimum clock period for SCKx is 50 ns.

4: Assumes 50 pF load on all SPIx pins.

PIC32MX1XX/2XX 28/44-PIN XLP FAMILY

FIGURE 33-14: I2Cx BUS START/STOP BITS TIMING CHARACTERISTICS (MASTER MODE)



FIGURE 33-15: I2Cx BUS DATA TIMING CHARACTERISTICS (MASTER MODE)



PIC32MX1XX/2XX 28/44-PIN XLP FAMILY

TABLE 33-33: I2Cx BUS DATA TIMING REQUIREMENTS (MASTER MODE)

| AC CHARACTERISTICS | | | | Standard Operating Conditions: 2.5V to 3.6V (unless otherwise stated) Operating temperature -40°C ≤ TA ≤ +85°C for Industrial -40°C ≤ TA ≤ +105°C for V-temp | | | |
|--------------------|---------|-------------------------------|-------------------------------|---|------|-------|---|
| Param. No. | Symbol | Characteristics | | Min. ⁽¹⁾ | Max. | Units | Conditions |
| IM10 | TLO:SCL | Clock Low Time | 100 kHz mode | TPB * (BRG + 2) | — | μs | — |
| | | | 400 kHz mode | TPB * (BRG + 2) | — | μs | — |
| | | | 1 MHz mode (Note 2) | TPB * (BRG + 2) | — | μs | — |
| IM11 | THI:SCL | Clock High Time | 100 kHz mode | TPB * (BRG + 2) | — | μs | — |
| | | | 400 kHz mode | TPB * (BRG + 2) | — | μs | — |
| | | | 1 MHz mode (Note 2) | TPB * (BRG + 2) | — | μs | — |
| IM20 | TF:SCL | SDAx and SCLx Fall Time | 100 kHz mode | — | 300 | ns | CB is specified to be from 10 to 400 pF |
| | | | 400 kHz mode | 20 + 0.1 CB | 300 | ns | |
| | | | 1 MHz mode (Note 2) | — | 100 | ns | |
| IM21 | TR:SCL | SDAx and SCLx Rise Time | 100 kHz mode | — | 1000 | ns | CB is specified to be from 10 to 400 pF |
| | | | 400 kHz mode | 20 + 0.1 CB | 300 | ns | |
| | | | 1 MHz mode (Note 2) | — | 300 | ns | |
| IM25 | TSU:DAT | Data Input Setup Time | 100 kHz mode | 250 | — | ns | — |
| | | | 400 kHz mode | 100 | — | ns | |
| | | | 1 MHz mode (Note 2) | 100 | — | ns | |
| IM26 | THD:DAT | Data Input Hold Time | 100 kHz mode | 0 | — | μs | — |
| | | | 400 kHz mode | 0 | 0.9 | μs | |
| | | | 1 MHz mode (Note 2) | 0 | 0.3 | μs | |
| IM30 | TSU:STA | Start Condition Setup Time | 100 kHz mode | TPB * (BRG + 2) | — | μs | Only relevant for Repeated Start condition |
| | | | 400 kHz mode | TPB * (BRG + 2) | — | μs | |
| | | | 1 MHz mode (Note 2) | TPB * (BRG + 2) | — | μs | |
| IM31 | THD:STA | Start Condition Hold Time | 100 kHz mode | TPB * (BRG + 2) | — | μs | After this period, the first clock pulse is generated |
| | | | 400 kHz mode | TPB * (BRG + 2) | — | μs | |
| | | | 1 MHz mode (Note 2) | TPB * (BRG + 2) | — | μs | |
| IM33 | TSU:STO | Stop Condition Setup Time | 100 kHz mode | TPB * (BRG + 2) | — | μs | — |
| | | | 400 kHz mode | TPB * (BRG + 2) | — | μs | |
| | | | 1 MHz mode (Note 2) | TPB * (BRG + 2) | — | μs | |
| IM34 | THD:STO | Stop Condition Hold Time | 100 kHz mode | TPB * (BRG + 2) | — | ns | — |
| | | | 400 kHz mode | TPB * (BRG + 2) | — | ns | |
| | | | 1 MHz mode (Note 2) | TPB * (BRG + 2) | — | ns | |

Note 1: BRG is the value of the I²C Baud Rate Generator.

2: Maximum pin capacitance = 10 pF for all I2Cx pins (for 1 MHz mode only).

3: The typical value for this parameter is 104 ns.

PIC32MX1XX/2XX 28/44-PIN XLP FAMILY

TABLE 33-33: I2Cx BUS DATA TIMING REQUIREMENTS (MASTER MODE) (CONTINUED)

| AC CHARACTERISTICS | | | Standard Operating Conditions: 2.5V to 3.6V (unless otherwise stated) Operating temperature -40°C ≤ TA ≤ +85°C for Industrial -40°C ≤ TA ≤ +105°C for V-temp | | | | |
|--------------------|---------|-------------------------|---|------|-------|-------------------|---|
| Param. No. | Symbol | Characteristics | Min. ⁽¹⁾ | Max. | Units | Conditions | |
| IM40 | TAA:SCL | Output Valid from Clock | 100 kHz mode | — | 3500 | ns | — |
| | | | 400 kHz mode | — | 1000 | ns | — |
| | | | 1 MHz mode (Note 2) | — | 350 | ns | — |
| IM45 | TBF:SDA | Bus Free Time | 100 kHz mode | 4.7 | — | μs | The amount of time the bus must be free before a new transmission can start |
| | | | 400 kHz mode | 1.3 | — | μs | |
| | | | 1 MHz mode (Note 2) | 0.5 | — | μs | |
| IM50 | CB | Bus Capacitive Loading | — | 400 | pF | — | |
| IM51 | TPGD | Pulse Gobbler Delay | 52 | 312 | ns | See Note 3 | |

Note 1: BRG is the value of the I²C Baud Rate Generator.

2: Maximum pin capacitance = 10 pF for all I2Cx pins (for 1 MHz mode only).

3: The typical value for this parameter is 104 ns.

PIC32MX1XX/2XX 28/44-PIN XLP FAMILY

FIGURE 33-16: I2Cx BUS START/STOP BITS TIMING CHARACTERISTICS (SLAVE MODE)

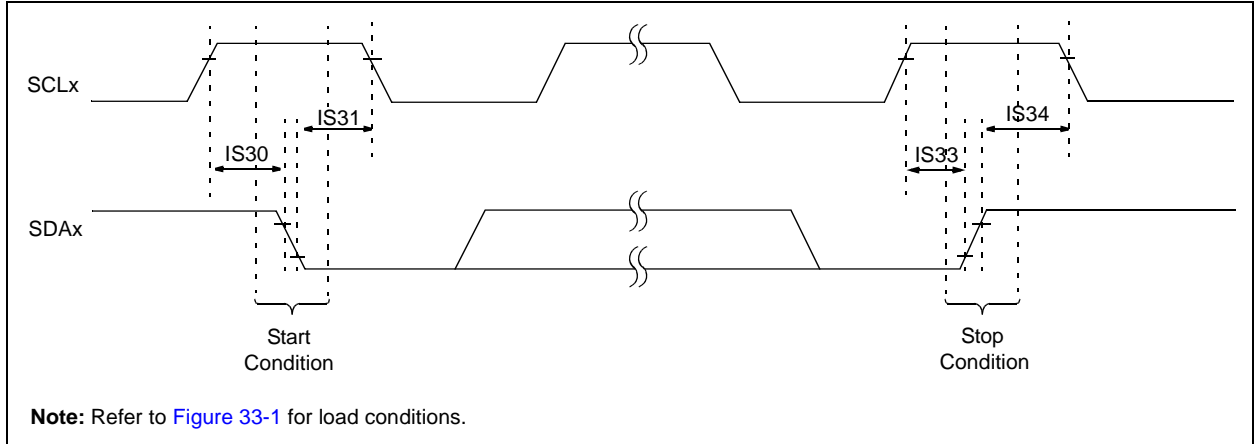
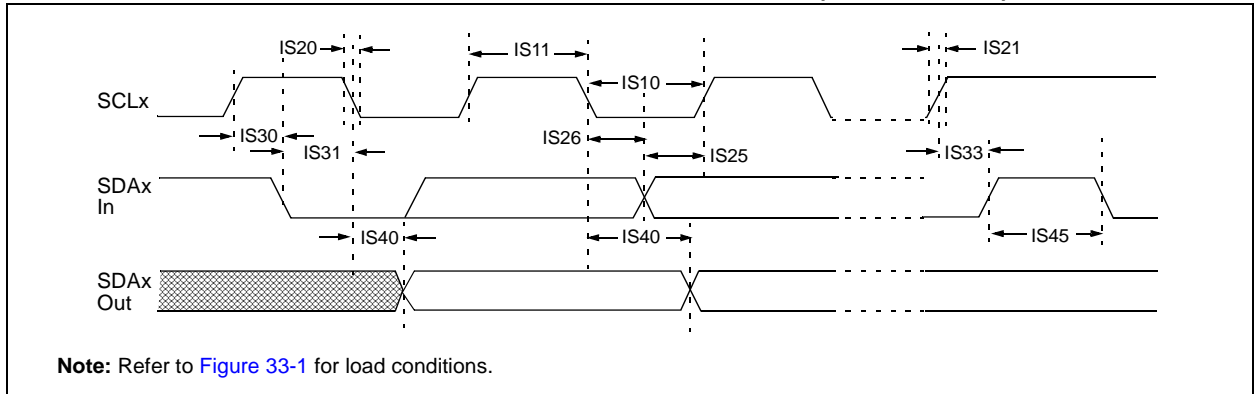


FIGURE 33-17: I2Cx BUS DATA TIMING CHARACTERISTICS (SLAVE MODE)



PIC32MX1XX/2XX 28/44-PIN XLP FAMILY

TABLE 33-34: I2Cx BUS DATA TIMING REQUIREMENTS (SLAVE MODE)

| AC CHARACTERISTICS | | | | Standard Operating Conditions: 2.5V to 3.6V (unless otherwise stated) Operating temperature $-40^{\circ}\text{C} \leq T_A \leq +85^{\circ}\text{C}$ for Industrial $-40^{\circ}\text{C} \leq T_A \leq +105^{\circ}\text{C}$ for V-temp | | | |
|--------------------|---------|----------------------------|------------------------|---|------|---------------|---|
| Param. No. | Symbol | Characteristics | | Min. | Max. | Units | Conditions |
| IS10 | TLO:SCL | Clock Low Time | 100 kHz mode | 4.7 | — | μs | PBCLK must operate at a minimum of 800 kHz |
| | | | 400 kHz mode | 1.3 | — | μs | PBCLK must operate at a minimum of 3.2 MHz |
| | | | 1 MHz mode (Note 1) | 0.5 | — | μs | — |
| IS11 | THI:SCL | Clock High Time | 100 kHz mode | 4.0 | — | μs | PBCLK must operate at a minimum of 800 kHz |
| | | | 400 kHz mode | 0.6 | — | μs | PBCLK must operate at a minimum of 3.2 MHz |
| | | | 1 MHz mode (Note 1) | 0.5 | — | μs | — |
| IS20 | TF:SCL | SDAx and SCLx Fall Time | 100 kHz mode | — | 300 | ns | Cb is specified to be from 10 to 400 pF |
| | | | 400 kHz mode | $20 + 0.1 C_B$ | 300 | ns | |
| | | | 1 MHz mode (Note 1) | — | 100 | ns | |
| IS21 | TR:SCL | SDAx and SCLx Rise Time | 100 kHz mode | — | 1000 | ns | Cb is specified to be from 10 to 400 pF |
| | | | 400 kHz mode | $20 + 0.1 C_B$ | 300 | ns | |
| | | | 1 MHz mode (Note 1) | — | 300 | ns | |
| IS25 | TSU:DAT | Data Input Setup Time | 100 kHz mode | 250 | — | ns | — |
| | | | 400 kHz mode | 100 | — | ns | |
| | | | 1 MHz mode (Note 1) | 100 | — | ns | |
| IS26 | THD:DAT | Data Input Hold Time | 100 kHz mode | 0 | — | ns | — |
| | | | 400 kHz mode | 0 | 0.9 | μs | |
| | | | 1 MHz mode (Note 1) | 0 | 0.3 | μs | |
| IS30 | TSU:STA | Start Condition Setup Time | 100 kHz mode | 4700 | — | ns | Only relevant for Repeated Start condition |
| | | | 400 kHz mode | 600 | — | ns | |
| | | | 1 MHz mode (Note 1) | 250 | — | ns | |
| IS31 | THD:STA | Start Condition Hold Time | 100 kHz mode | 4000 | — | ns | After this period, the first clock pulse is generated |
| | | | 400 kHz mode | 600 | — | ns | |
| | | | 1 MHz mode (Note 1) | 250 | — | ns | |
| IS33 | TSU:STO | Stop Condition Setup Time | 100 kHz mode | 4000 | — | ns | — |
| | | | 400 kHz mode | 600 | — | ns | |
| | | | 1 MHz mode (Note 1) | 600 | — | ns | |

Note 1: Maximum pin capacitance = 10 pF for all I2Cx pins (for 1 MHz mode only).

PIC32MX1XX/2XX 28/44-PIN XLP FAMILY

TABLE 33-34: I2Cx BUS DATA TIMING REQUIREMENTS (SLAVE MODE) (CONTINUED)

| AC CHARACTERISTICS | | | | Standard Operating Conditions: 2.5V to 3.6V (unless otherwise stated) Operating temperature -40°C ≤ TA ≤ +85°C for Industrial -40°C ≤ TA ≤ +105°C for V-temp | | | |
|--------------------|---------|--------------------------|-------------------------------|---|------|-------|---|
| Param. No. | Symbol | Characteristics | | Min. | Max. | Units | Conditions |
| IS34 | THD:STO | Stop Condition Hold Time | 100 kHz mode | 4000 | — | ns | — |
| | | | 400 kHz mode | 600 | — | ns | |
| | | | 1 MHz mode (Note 1) | 250 | — | ns | |
| IS40 | TAA:SCL | Output Valid from Clock | 100 kHz mode | 0 | 3500 | ns | — |
| | | | 400 kHz mode | 0 | 1000 | ns | |
| | | | 1 MHz mode (Note 1) | 0 | 350 | ns | |
| IS45 | TBF:SDA | Bus Free Time | 100 kHz mode | 4.7 | — | μs | The amount of time the bus must be free before a new transmission can start |
| | | | 400 kHz mode | 1.3 | — | μs | |
| | | | 1 MHz mode (Note 1) | 0.5 | — | μs | |
| IS50 | CB | Bus Capacitive Loading | | — | 400 | pF | — |

Note 1: Maximum pin capacitance = 10 pF for all I2Cx pins (for 1 MHz mode only).

PIC32MX1XX/2XX 28/44-PIN XLP FAMILY

TABLE 33-35: ADC MODULE SPECIFICATIONS

| AC CHARACTERISTICS | | | Standard Operating Conditions: 2.5V to 3.6V (unless otherwise stated) Operating temperature $-40^{\circ}\text{C} \leq T_A \leq +85^{\circ}\text{C}$ for Industrial $-40^{\circ}\text{C} \leq T_A \leq +105^{\circ}\text{C}$ for V-temp | | | | |
|--|------------------|--|---|-------------|----------------------------|--------------------------------|--|
| Param. No. | Symbol | Characteristics | Min. | Typical | Max. | Units | Conditions |
| Device Supply | | | | | | | |
| AD01 | AVDD | Module VDD Supply | Greater of VDD – 0.3 or 2.5 | — | Lesser of VDD + 0.3 or 3.6 | V | — |
| AD02 | AVSS | Module Vss Supply | VSS | — | AVDD | V | (Note 1) |
| Reference Inputs | | | | | | | |
| AD05 AD05a | VREFH | Reference Voltage High | AVSS + 2.0 2.5 | — — | AVDD 3.6 | V V | (Note 1) VREFH = AVDD (Note 3) |
| AD06 | VREFL | Reference Voltage Low | AVSS | — | VREFH – 2.0 | V | (Note 1) |
| AD07 | VREF | Absolute Reference Voltage (VREFH – VREFL) | 2.0 | — | AVDD | V | (Note 3) |
| AD08 AD08a | IREF | Current Drain | — — | 250 — | 400 3 | μA μA | ADC operating ADC off |
| Analog Input | | | | | | | |
| AD12 | VINH-VINL | Full-Scale Input Span | VREFL | — | VREFH | V | — |
| AD13 | VINL | Absolute VINL Input Voltage | AVSS – 0.3 | — | AVDD/2 | V | — |
| AD14 | VIN | Absolute Input Voltage | AVSS – 0.3 | — | AVDD + 0.3 | V | — |
| AD15 | — | Leakage Current | — | ± 0.001 | ± 0.610 | μA | VINL = AVSS = VREFL = 0V, AVDD = VREFH = 3.3V Source Impedance = 10 k Ω |
| AD17 | RIN | Recommended Impedance of Analog Voltage Source | — | — | 5k | Ω | (Note 1) |
| ADC Accuracy – Measurements with External VREF+/VREF- | | | | | | | |
| AD20c | Nr | Resolution | 10 data bits | | | bits | — |
| AD21c | INL | Integral Non-linearity | > -1 | — | < 1 | LSb | VINL = AVSS = VREFL = 0V, AVDD = VREFH = 3.3V |
| AD22c | DNL | Differential Non-linearity | > -1 | — | < 1 | LSb | VINL = AVSS = VREFL = 0V, AVDD = VREFH = 3.3V (Note 2) |
| AD23c | GERR | Gain Error | > -1 | — | < 1 | LSb | VINL = AVSS = VREFL = 0V, AVDD = VREFH = 3.3V |
| AD24c | E _{OFF} | Offset Error | > -1 | — | < 1 | Lsb | VINL = AVSS = 0V, AVDD = 3.3V |
| AD25c | — | Monotonicity | — | — | — | — | Guaranteed |

- Note 1:** These parameters are not characterized or tested in manufacturing.
2: With no missing codes.
3: These parameters are characterized, but not tested in manufacturing.
4: Characterized with a 1 kHz sine wave.
5: The ADC module is functional at $V_{BORMIN} < V_{DD} < 2.0\text{V}$, but with degraded performance. Unless otherwise stated, module functionality is tested, but not characterized.

PIC32MX1XX/2XX 28/44-PIN XLP FAMILY

TABLE 33-35: ADC MODULE SPECIFICATIONS (CONTINUED)

| AC CHARACTERISTICS | | | Standard Operating Conditions: 2.5V to 3.6V (unless otherwise stated) Operating temperature -40°C ≤ TA ≤ +85°C for Industrial -40°C ≤ TA ≤ +105°C for V-temp | | | | |
|--|------------------|--------------------------------|---|---------|------|-------|---|
| Param. No. | Symbol | Characteristics | Min. | Typical | Max. | Units | Conditions |
| ADC Accuracy – Measurements with Internal VREF+/VREF- | | | | | | | |
| AD20d | Nr | Resolution | 10 data bits | | | bits | (Note 3) |
| AD21d | INL | Integral Non-linearity | > -1 | — | < 1 | LSb | VINL = AVSS = 0V, AVDD = 2.0V to 3.6V (Note 3) |
| AD22d | DNL | Differential Non-linearity | > -1 | — | < 1 | LSb | VINL = AVSS = 0V, AVDD = 2.0V to 3.6V (Notes 2,3) |
| AD23d | GERR | Gain Error | > -4 | — | < 4 | LSb | VINL = AVSS = 0V, AVDD = 2.0V to 3.6V (Note 3) |
| AD24d | E _{OFF} | Offset Error | > -2 | — | < 2 | LSb | VINL = AVSS = 0V, AVDD = 2.0V to 3.6V (Note 3) |
| AD25d | — | Monotonicity | — | — | — | — | Guaranteed |
| Dynamic Performance | | | | | | | |
| AD32b | SINAD | Signal to Noise and Distortion | 55 | 58.5 | — | dB | (Notes 3,4) |
| AD34b | ENOB | Effective Number of bits | 9.0 | 9.5 | — | bits | (Notes 3,4) |

- Note 1:** These parameters are not characterized or tested in manufacturing.
- 2:** With no missing codes.
- 3:** These parameters are characterized, but not tested in manufacturing.
- 4:** Characterized with a 1 kHz sine wave.
- 5:** The ADC module is functional at $V_{BORMIN} < V_{DD} < 2.0V$, but with degraded performance. Unless otherwise stated, module functionality is tested, but not characterized.

PIC32MX1XX/2XX 28/44-PIN XLP FAMILY

TABLE 33-36: 10-BIT CONVERSION RATE PARAMETERS

| AC CHARACTERISTICS ⁽²⁾ | | | Standard Operating Conditions: 2.5V to 3.6V (unless otherwise stated) Operating temperature $-40^{\circ}\text{C} \leq T_A \leq +85^{\circ}\text{C}$ for Industrial $-40^{\circ}\text{C} \leq T_A \leq +105^{\circ}\text{C}$ for V-temp | | |
|-----------------------------------|----------|--------------------|---|--------------|----------------------------|
| ADC Speed | TAD Min. | Sampling Time Min. | Rs Max. | VDD | ADC Channels Configuration |
| 1 Msps to 400 ksps ⁽¹⁾ | 65 ns | 132 ns | 500Ω | 3.0V to 3.6V | |
| Up to 400 ksps | 200 ns | 200 ns | 5.0 kΩ | 2.0V to 3.6V | |

- Note 1:** External VREF- and VREF+ pins must be used for correct operation.
- 2:** These parameters are characterized, but not tested in manufacturing.
- 3:** The ADC module is functional at $V_{BORMIN} < V_{DD} < 2.0\text{V}$, but with degraded performance. Unless otherwise stated, module functionality is tested, but not characterized.

PIC32MX1XX/2XX 28/44-PIN XLP FAMILY

TABLE 33-37: ANALOG-TO-DIGITAL CONVERSION TIMING REQUIREMENTS

| AC CHARACTERISTICS | | | Standard Operating Conditions: 2.5V to 3.6V (unless otherwise stated) Operating temperature -40°C ≤ TA ≤ +85°C for Industrial -40°C ≤ TA ≤ +105°C for V-temp | | | | |
|--------------------------|--------|--|---|------------------------|---------|-------|---|
| Param. No. | Symbol | Characteristics | Min. | Typical ⁽¹⁾ | Max. | Units | Conditions |
| Clock Parameters | | | | | | | |
| AD50 | TAD | ADC Clock Period ⁽²⁾ | 65 | — | — | ns | See Table 33-36 |
| Conversion Rate | | | | | | | |
| AD55 | TCONV | Conversion Time | — | 12 TAD | — | — | — |
| AD56 | FCNV | Throughput Rate (Sampling Speed) | — | — | 1000 | ksps | AVDD = 3.0V to 3.6V |
| | | | — | — | 400 | ksps | AVDD = 2.0V to 3.6V |
| AD57 | TSAMP | Sample Time | 1 TAD | — | — | — | TSAMP must be ≥ 132 ns |
| Timing Parameters | | | | | | | |
| AD60 | TPCS | Conversion Start from Sample Trigger ⁽³⁾ | — | 1.0 TAD | — | — | Auto-Convert Trigger (SSRC<2:0> = 111) not selected |
| AD61 | TPSS | Sample Start from Setting Sample (SAMP) bit | 0.5 TAD | — | 1.5 TAD | — | — |
| AD62 | TCSS | Conversion Completion to Sample Start (ASAM = 1) ⁽³⁾ | — | 0.5 TAD | — | — | — |
| AD63 | TDPU | Time to Stabilize Analog Stage from ADC Off to ADC On ⁽³⁾ | — | — | 2 | μs | — |

- Note 1:** These parameters are characterized, but not tested in manufacturing.
- 2:** Because the sample caps will eventually lose charge, clock rates below 10 kHz can affect linearity performance, especially at elevated temperatures.
- 3:** Characterized by design but not tested.
- 4:** The ADC module is functional at VBORMIN < VDD < 2.0V, but with degraded performance. Unless otherwise stated, module functionality is tested, but not characterized.

PIC32MX1XX/2XX 28/44-PIN XLP FAMILY

FIGURE 33-18: ANALOG-TO-DIGITAL CONVERSION (10-BIT MODE) TIMING CHARACTERISTICS (ASAM = 0, SSRC<2:0> = 000)



PIC32MX1XX/2XX 28/44-PIN XLP FAMILY

FIGURE 33-19: ANALOG-TO-DIGITAL CONVERSION (10-BIT MODE) TIMING CHARACTERISTICS (ASAM = 1, SSRC<2:0> = 111, SAMC<4:0> = 00001)

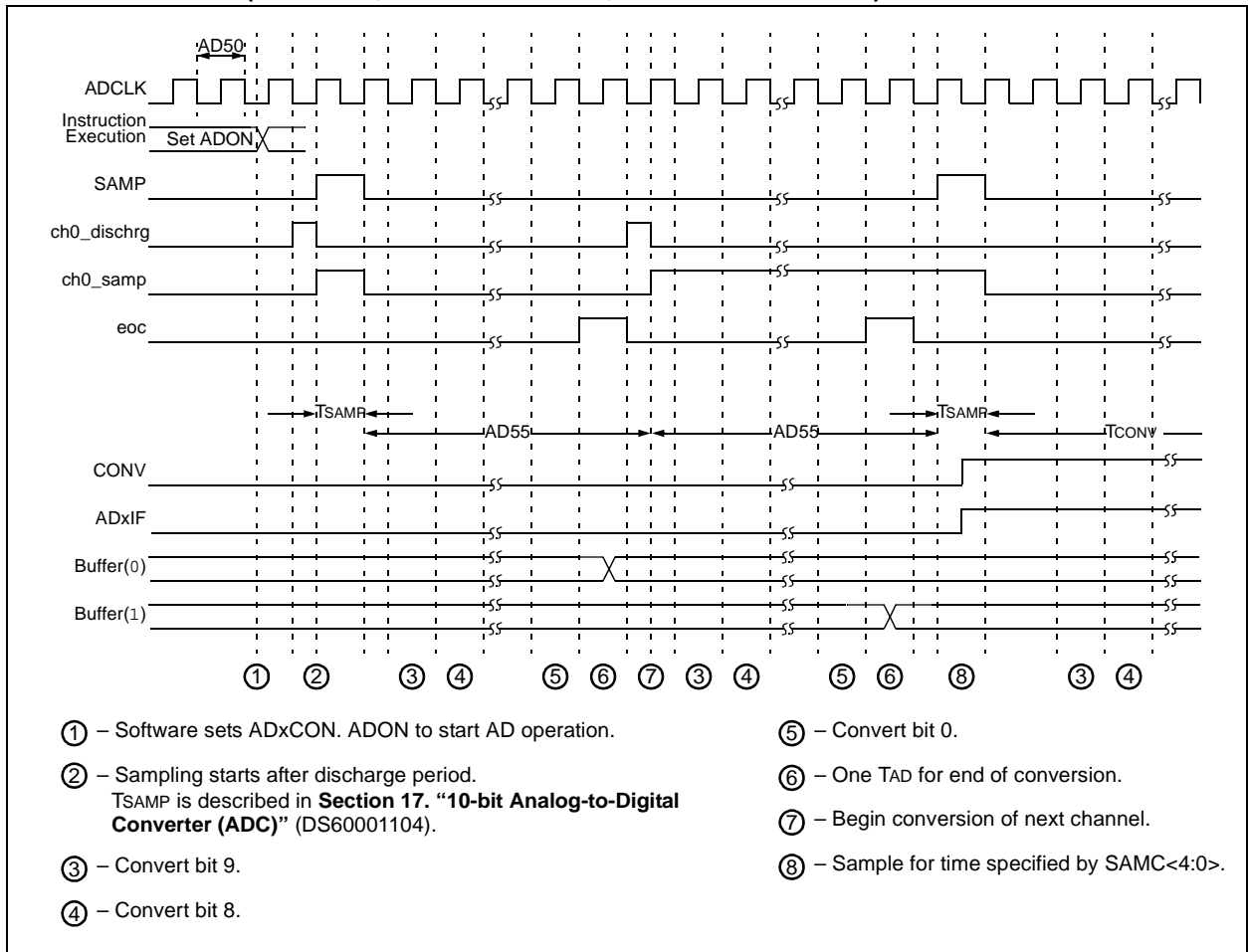
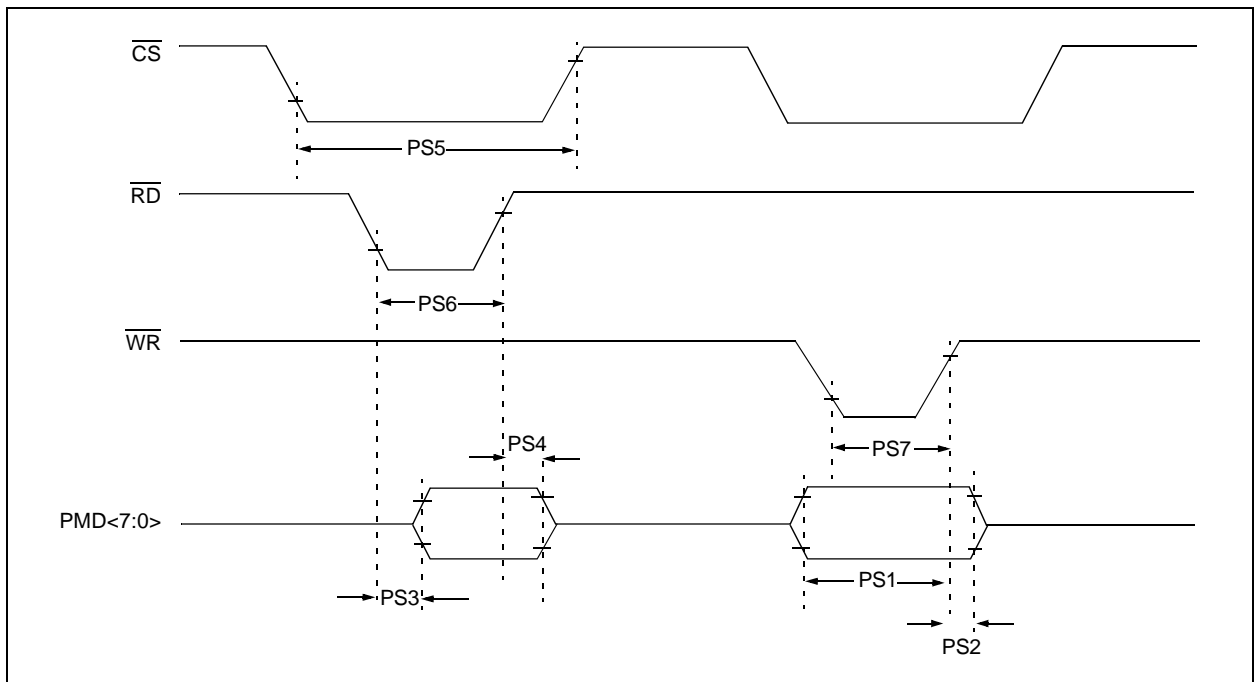


FIGURE 33-20: PARALLEL SLAVE PORT TIMING



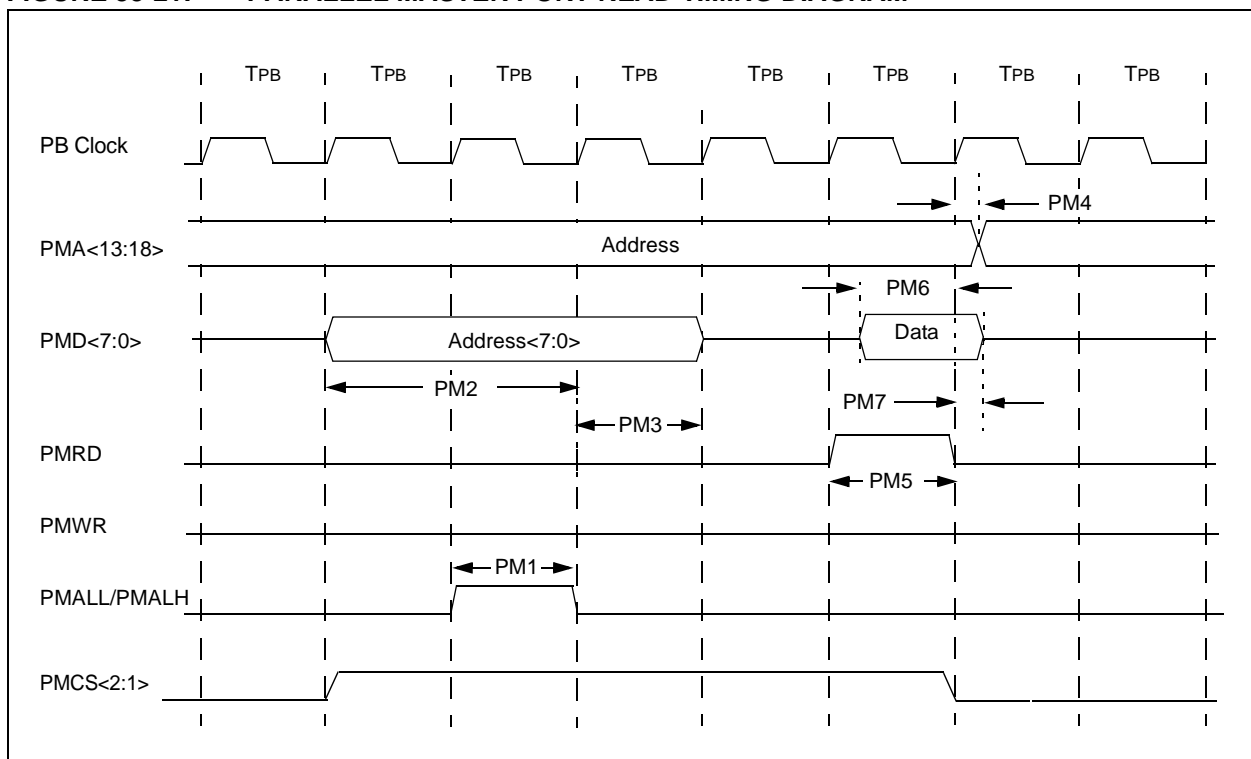
PIC32MX1XX/2XX 28/44-PIN XLP FAMILY

TABLE 33-38: PARALLEL SLAVE PORT REQUIREMENTS

| AC CHARACTERISTICS | | | Standard Operating Conditions: 2.5V to 3.6V (unless otherwise stated) Operating temperature $-40^{\circ}\text{C} \leq T_A \leq +85^{\circ}\text{C}$ for Industrial $-40^{\circ}\text{C} \leq T_A \leq +105^{\circ}\text{C}$ for V-temp | | | | |
|--------------------|--------------|---|---|------|------|-------|------------|
| Para m.No. | Symbol | Characteristics ⁽¹⁾ | Min. | Typ. | Max. | Units | Conditions |
| PS1 | TdtV2wr H | Data In Valid before $\overline{\text{WR}}$ or $\overline{\text{CS}}$ Inactive (setup time) | 20 | — | — | ns | — |
| PS2 | TwrH2dt I | $\overline{\text{WR}}$ or $\overline{\text{CS}}$ Inactive to Data-In Invalid (hold time) | 40 | — | — | ns | — |
| PS3 | TrdL2dt V | $\overline{\text{RD}}$ and $\overline{\text{CS}}$ Active to Data-Out Valid | — | — | 60 | ns | — |
| PS4 | TrdH2dtI | $\overline{\text{RD}}$ Active or $\overline{\text{CS}}$ Inactive to Data-Out Invalid | 0 | — | 10 | ns | — |
| PS5 | Tcs | $\overline{\text{CS}}$ Active Time | TPB + 40 | — | — | ns | — |
| PS6 | TWR | $\overline{\text{WR}}$ Active Time | TPB + 25 | — | — | ns | — |
| PS7 | TRD | $\overline{\text{RD}}$ Active Time | TPB + 25 | — | — | ns | — |

Note 1: These parameters are characterized, but not tested in manufacturing.

FIGURE 33-21: PARALLEL MASTER PORT READ TIMING DIAGRAM



PIC32MX1XX/2XX 28/44-PIN XLP FAMILY

TABLE 33-39: PARALLEL MASTER PORT READ TIMING REQUIREMENTS

| AC CHARACTERISTICS | | | Standard Operating Conditions: 2.5V to 3.6V (unless otherwise stated) Operating temperature -40°C ≤ TA ≤ +85°C for Industrial -40°C ≤ TA ≤ +105°C for V-temp | | | | |
|--------------------|---------------------|--|---|-------|------|-------|------------|
| Param. No. | Symbol | Characteristics ⁽¹⁾ | Min. | Typ. | Max. | Units | Conditions |
| PM1 | T _{LAT} | PMALL/PMALH Pulse Width | — | 1 TPB | — | — | — |
| PM2 | T _{ADSU} | Address Out Valid to PMALL/PMALH Invalid (address setup time) | — | 2 TPB | — | — | — |
| PM3 | T _{ADHOLD} | PMALL/PMALH Invalid to Address Out Invalid (address hold time) | — | 1 TPB | — | — | — |
| PM4 | T _{AHOLD} | PMRD Inactive to Address Out Invalid (address hold time) | 5 | — | — | ns | — |
| PM5 | T _{RD} | PMRD Pulse Width | — | 1 TPB | — | — | — |
| PM6 | T _{DSU} | PMRD or PMENB Active to Data In Valid (data setup time) | 15 | — | — | ns | — |
| PM7 | T _{DHOLD} | PMRD or PMENB Inactive to Data In Invalid (data hold time) | — | 80 | — | ns | — |

Note 1: These parameters are characterized, but not tested in manufacturing.

FIGURE 33-22: PARALLEL MASTER PORT WRITE TIMING DIAGRAM



PIC32MX1XX/2XX 28/44-PIN XLP FAMILY

TABLE 33-40: PARALLEL MASTER PORT WRITE TIMING REQUIREMENTS

| AC CHARACTERISTICS | | | Standard Operating Conditions: 2.5V to 3.6V (unless otherwise stated) Operating temperature $-40^{\circ}\text{C} \leq T_A \leq +85^{\circ}\text{C}$ for Industrial $-40^{\circ}\text{C} \leq T_A \leq +105^{\circ}\text{C}$ for V-temp | | | | |
|--------------------|---------------------|---|---|-------|------|-------|------------|
| Param. No. | Symbol | Characteristics ⁽¹⁾ | Min. | Typ. | Max. | Units | Conditions |
| PM11 | TWR | PMWR Pulse Width | — | 1 TPB | — | — | — |
| PM12 | TDV _{SU} | Data Out Valid before PMWR or PMENB goes Inactive (data setup time) | — | 2 TPB | — | — | — |
| PM13 | TDV _{HOLD} | PMWR or PMEMB Invalid to Data Out Invalid (data hold time) | — | 1 TPB | — | — | — |

Note 1: These parameters are characterized, but not tested in manufacturing.

TABLE 33-41: OTG ELECTRICAL SPECIFICATIONS

| AC CHARACTERISTICS | | | Standard Operating Conditions: 2.5V to 3.6V (unless otherwise stated) Operating temperature $-40^{\circ}\text{C} \leq T_A \leq +85^{\circ}\text{C}$ for Industrial $-40^{\circ}\text{C} \leq T_A \leq +105^{\circ}\text{C}$ for V-temp | | | | |
|--------------------|---------------------|-----------------------------------|---|------|------|----------|---|
| Param. No. | Symbol | Characteristics ⁽¹⁾ | Min. | Typ. | Max. | Units | Conditions |
| USB313 | V _{USB3V3} | USB Voltage | 3.0 | — | 3.6 | V | Voltage on V _{USB3V3} must be in this range for proper USB operation |
| USB315 | V _{ILUSB} | Input Low Voltage for USB Buffer | — | — | 0.8 | V | — |
| USB316 | V _{IHUSB} | Input High Voltage for USB Buffer | 2.0 | — | — | V | — |
| USB318 | V _{DIFS} | Differential Input Sensitivity | — | — | 0.2 | V | The difference between D+ and D- must exceed this value while VCM is met |
| USB319 | V _{CM} | Differential Common Mode Range | 0.8 | — | 2.5 | V | — |
| USB320 | Z _{OUT} | Driver Output Impedance | 28.0 | — | 44.0 | Ω | — |
| USB321 | V _{OL} | Voltage Output Low | 0.0 | — | 0.3 | V | 1.425 k Ω load connected to V _{USB3V3} |
| USB322 | V _{OH} | Voltage Output High | 2.8 | — | 3.6 | V | 1.425 k Ω load connected to ground |

Note 1: These parameters are characterized, but not tested in manufacturing.

PIC32MX1XX/2XX 28/44-PIN XLP FAMILY

TABLE 33-42: CTMU CURRENT SOURCE SPECIFICATIONS

| DC CHARACTERISTICS | | | Standard Operating Conditions: 2.5V to 3.6V (unless otherwise stated) Operating temperature $-40^{\circ}\text{C} \leq T_A \leq +85^{\circ}\text{C}$ for Industrial $-40^{\circ}\text{C} \leq T_A \leq +105^{\circ}\text{C}$ for V-temp | | | | |
|----------------------------|--------|--|---|-------|------|-------|--|
| Param No. | Symbol | Characteristic | Min. | Typ. | Max. | Units | Conditions |
| CTMU CURRENT SOURCE | | | | | | | |
| CTMUI1 | IOUT1 | Base Range ⁽¹⁾ | — | 0.55 | — | μA | CTMUCON<9:8> = 01 |
| CTMUI2 | IOUT2 | 10x Range ⁽¹⁾ | — | 5.5 | — | μA | CTMUCON<9:8> = 10 |
| CTMUI3 | IOUT3 | 100x Range ⁽¹⁾ | — | 55 | — | μA | CTMUCON<9:8> = 11 |
| CTMUI4 | IOUT4 | 1000x Range ⁽¹⁾ | — | 550 | — | μA | CTMUCON<9:8> = 00 |
| CTMUFV1 | VF | Temperature Diode Forward Voltage ^(1,2) | — | 0.598 | — | V | T _A = +25°C, CTMUCON<9:8> = 01 |
| | | | — | 0.658 | — | V | T _A = +25°C, CTMUCON<9:8> = 10 |
| | | | — | 0.721 | — | V | T _A = +25°C, CTMUCON<9:8> = 11 |
| CTMUFV2 | VFVR | Temperature Diode Rate of Change ^(1,2) | — | -1.92 | — | mV/°C | CTMUCON<9:8> = 01 |
| | | | — | -1.74 | — | mV/°C | CTMUCON<9:8> = 10 |
| | | | — | -1.56 | — | mV/°C | CTMUCON<9:8> = 11 |

Note 1: Nominal value at center point of current trim range (CTMUCON<15:10> = 000000).

2: Parameters are characterized but not tested in manufacturing. Measurements taken with the following conditions:

- VREF+ = AVDD = 3.3V
- ADC module configured for conversion speed of 500 ksp/s
- All PMD bits are cleared (PMDx = 0)
- Executing a `while(1)` statement
- Device operating from the FRC with no PLL

3: The CTMU module is functional at $V_{BORMIN} < V_{DD} < V_{DDMIN}$, but with degraded performance. Unless otherwise stated, module functionality is tested, but not characterized.

PIC32MX1XX/2XX 28/44-PIN XLP FAMILY

FIGURE 33-23: EJTAG TIMING CHARACTERISTICS



TABLE 33-43: EJTAG TIMING REQUIREMENTS

| AC CHARACTERISTICS | | | Standard Operating Conditions: 2.5V to 3.6V (unless otherwise stated) Operating temperature $-40^{\circ}\text{C} \leq T_A \leq +85^{\circ}\text{C}$ for Industrial $-40^{\circ}\text{C} \leq T_A \leq +105^{\circ}\text{C}$ for V-temp | | | |
|--------------------|------------|--|---|------|-------|------------|
| Param. No. | Symbol | Description ⁽¹⁾ | Min. | Max. | Units | Conditions |
| EJ1 | TTCKCYC | TCK Cycle Time | 25 | — | ns | — |
| EJ2 | TTCKHIGH | TCK High Time | 10 | — | ns | — |
| EJ3 | TTCKLOW | TCK Low Time | 10 | — | ns | — |
| EJ4 | TTSETUP | TAP Signals Setup Time Before Rising TCK | 5 | — | ns | — |
| EJ5 | TTHOLD | TAP Signals Hold Time After Rising TCK | 3 | — | ns | — |
| EJ6 | TTDOOUT | TDO Output Delay Time from Falling TCK | — | 5 | ns | — |
| EJ7 | TTDOZSTATE | TDO 3-State Delay Time from Falling TCK | — | 5 | ns | — |
| EJ8 | TTRSTLOW | TRST Low Time | 25 | — | ns | — |
| EJ9 | TRF | TAP Signals Rise/Fall Time, All Input and Output | — | — | ns | — |

Note 1: These parameters are characterized, but not tested in manufacturing.

34.0 DC AND AC DEVICE CHARACTERISTICS GRAPHS

Note: The graphs provided following this note are a statistical summary based on a limited number of samples and are provided for design guidance purposes only. The performance characteristics listed herein are not tested or guaranteed. In some graphs, the data presented may be outside the specified operating range (e.g., outside specified power supply range) and therefore, outside the warranted range.

FIGURE 34-1: I/O OUTPUT VOLTAGE HIGH (VOH)



FIGURE 34-2: I/O OUTPUT VOLTAGE LOW (VOL)



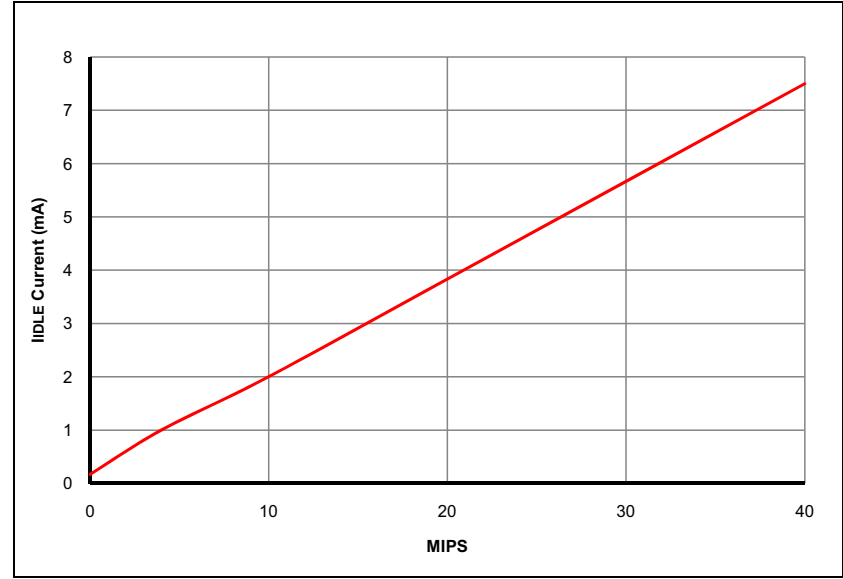
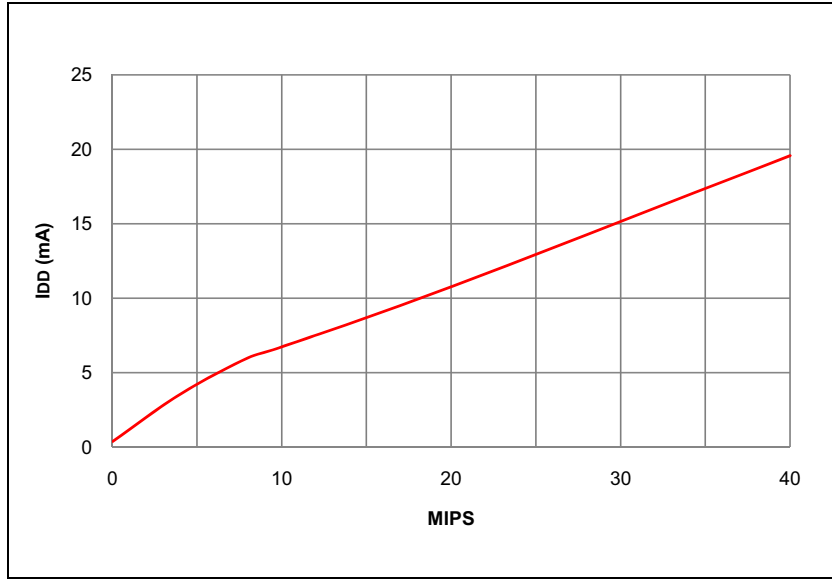
FIGURE 34-3: TYPICAL I_{PD} CURRENT @ V_{DD} = 3.3V**FIGURE 34-5: TYPICAL I_{IDLE} CURRENT @ V_{DD} = 3.3V****FIGURE 34-4: TYPICAL I_{DD} CURRENT @ V_{DD} = 3.3V**

FIGURE 34-6: TYPICAL FRC FREQUENCY @ V_{DD} = 3.3V



FIGURE 34-7: TYPICAL LPRC FREQUENCY @ V_{DD} = 3.3V



FIGURE 34-8: TYPICAL CTMU TEMPERATURE DIODE FORWARD VOLTAGE



PIC32MX1XX/2XX 28/44-PIN XLP FAMILY

NOTES:

PIC32MX1XX/2XX 28/44-PIN XLP FAMILY

35.0 PACKAGING INFORMATION

35.1 Package Marking Information

28-Lead SOIC



Example



28-Lead QFN



Example



44-Lead QFN



Example



44-Lead TQFP



Example



| | | |
|----------------|--|--|
| Legend: | XX...X | Customer-specific information |
| | Y | Year code (last digit of calendar year) |
| | YY | Year code (last 2 digits of calendar year) |
| | WW | Week code (week of January 1 is week '01') |
| | NNN | Alphanumeric traceability code |
| | (e3) | Pb-free JEDEC designator for Matte Tin (Sn) |
| | * | This package is Pb-free. The Pb-free JEDEC designator ((e3)) can be found on the outer packaging for this package. |
| Note: | If the full Microchip part number cannot be marked on one line, it is carried over to the next line, thus limiting the number of available characters for customer-specific information. | |

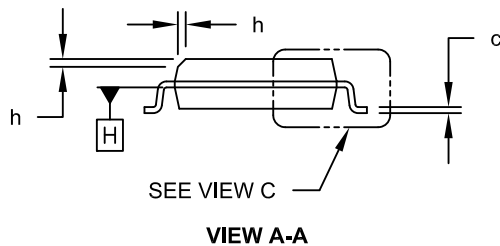
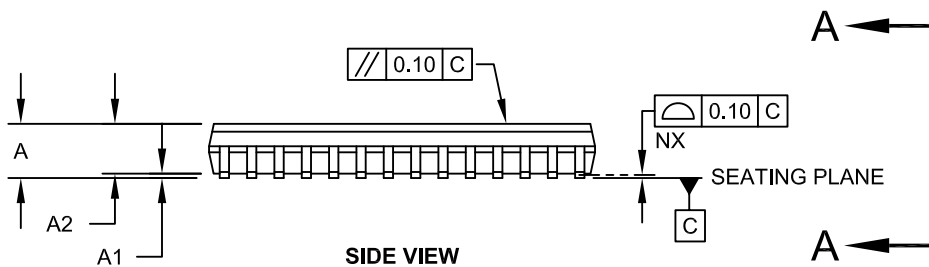
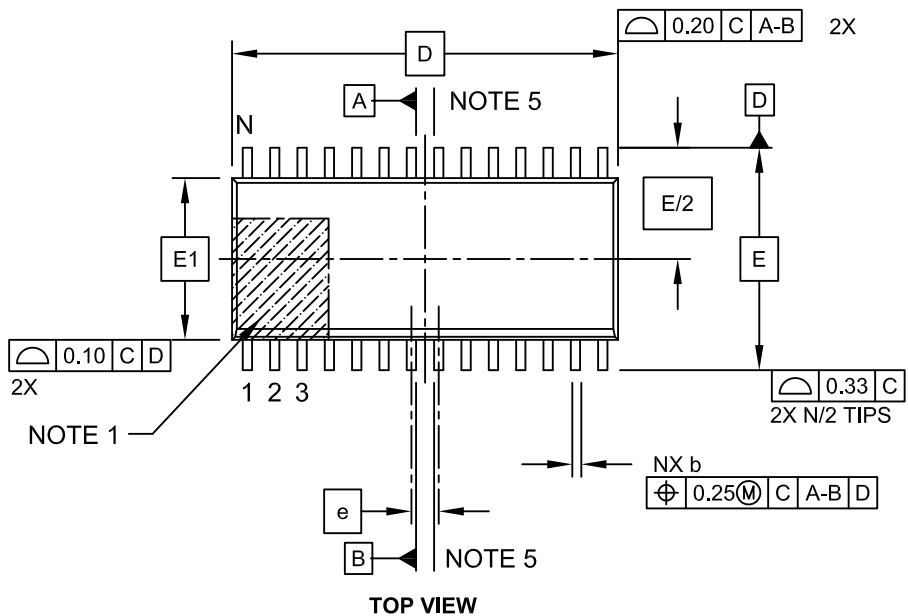
PIC32MX1XX/2XX 28/44-PIN XLP FAMILY

35.2 Package Details

This section provides the technical details of the packages.

28-Lead Plastic Small Outline (SO) - Wide, 7.50 mm Body [SOIC]

Note: For the most current package drawings, please see the Microchip Packaging Specification located at <http://www.microchip.com/packaging>



Microchip Technology Drawing C04-052C Sheet 1 of 2

PIC32MX1XX/2XX 28/44-PIN XLP FAMILY

28-Lead Plastic Small Outline (SO) - Wide, 7.50 mm Body [SOIC]

Note: For the most current package drawings, please see the Microchip Packaging Specification located at <http://www.microchip.com/packaging>



| Dimension Limits | Units | MILLIMETERS | | |
|--------------------------|-----------|-------------|-----|------|
| | | MIN | NOM | MAX |
| Number of Pins | N | 28 | | |
| Pitch | e | 1.27 BSC | | |
| Overall Height | A | - | - | 2.65 |
| Molded Package Thickness | A2 | 2.05 | - | - |
| Standoff § | A1 | 0.10 | - | 0.30 |
| Overall Width | E | 10.30 BSC | | |
| Molded Package Width | E1 | 7.50 BSC | | |
| Overall Length | D | 17.90 BSC | | |
| Chamfer (Optional) | h | 0.25 | - | 0.75 |
| Foot Length | L | 0.40 | - | 1.27 |
| Footprint | L1 | 1.40 REF | | |
| Lead Angle | Θ | 0° | - | - |
| Foot Angle | φ | 0° | - | 8° |
| Lead Thickness | c | 0.18 | - | 0.33 |
| Lead Width | b | 0.31 | - | 0.51 |
| Mold Draft Angle Top | α | 5° | - | 15° |
| Mold Draft Angle Bottom | β | 5° | - | 15° |

Notes:

- Pin 1 visual index feature may vary, but must be located within the hatched area.
- § Significant Characteristic
- Dimension D does not include mold flash, protrusions or gate burrs, which shall not exceed 0.15 mm per end. Dimension E1 does not include interlead flash or protrusion, which shall not exceed 0.25 mm per side.
- Dimensioning and tolerancing per ASME Y14.5M
 BSC: Basic Dimension. Theoretically exact value shown without tolerances.
 REF: Reference Dimension, usually without tolerance, for information purposes only.
- Datums A & B to be determined at Datum H.

Microchip Technology Drawing C04-052C Sheet 2 of 2

PIC32MX1XX/2XX 28/44-PIN XLP FAMILY

28-Lead Plastic Small Outline (SO) - Wide, 7.50 mm Body [SOIC]

Note: For the most current package drawings, please see the Microchip Packaging Specification located at <http://www.microchip.com/packaging>



RECOMMENDED LAND PATTERN

| Dimension Limits | Units | MILLIMETERS | | |
|--------------------------|-------|-------------|------|------|
| | | MIN | NOM | MAX |
| Contact Pitch | E | 1.27 BSC | | |
| Contact Pad Spacing | C | | 9.40 | |
| Contact Pad Width (X28) | X | | | 0.60 |
| Contact Pad Length (X28) | Y | | | 2.00 |
| Distance Between Pads | Gx | 0.67 | | |
| Distance Between Pads | G | 7.40 | | |

Notes:

1. Dimensioning and tolerancing per ASME Y14.5M

BSC: Basic Dimension. Theoretically exact value shown without tolerances.

Microchip Technology Drawing No. C04-2052A

PIC32MX1XX/2XX 28/44-PIN XLP FAMILY

28-Lead Plastic Quad Flat, No Lead Package (ML) – 6x6 mm Body [QFN] with 0.55 mm Contact Length

Note: For the most current package drawings, please see the Microchip Packaging Specification located at <http://www.microchip.com/packaging>



| Dimension Limits | Units | MILLIMETERS | | |
|------------------------|-------|-------------|------|------|
| | | MIN | NOM | MAX |
| Number of Pins | N | 28 | | |
| Pitch | e | 0.65 BSC | | |
| Overall Height | A | 0.80 | 0.90 | 1.00 |
| Standoff | A1 | 0.00 | 0.02 | 0.05 |
| Contact Thickness | A3 | 0.20 REF | | |
| Overall Width | E | 6.00 BSC | | |
| Exposed Pad Width | E2 | 3.65 | 3.70 | 4.20 |
| Overall Length | D | 6.00 BSC | | |
| Exposed Pad Length | D2 | 3.65 | 3.70 | 4.20 |
| Contact Width | b | 0.23 | 0.30 | 0.35 |
| Contact Length | L | 0.50 | 0.55 | 0.70 |
| Contact-to-Exposed Pad | K | 0.20 | – | – |

Notes:

- Pin 1 visual index feature may vary, but must be located within the hatched area.
- Package is saw singulated.
- Dimensioning and tolerancing per ASME Y14.5M.

BSC: Basic Dimension. Theoretically exact value shown without tolerances.

REF: Reference Dimension, usually without tolerance, for information purposes only.

Microchip Technology Drawing C04-105B

PIC32MX1XX/2XX 28/44-PIN XLP FAMILY

28-Lead Plastic Quad Flat, No Lead Package (ML) – 6x6 mm Body [QFN] with 0.55 mm Contact Length

Note: For the most current package drawings, please see the Microchip Packaging Specification located at <http://www.microchip.com/packaging>



RECOMMENDED LAND PATTERN

| Dimension Limits | Units | MILLIMETERS | | |
|----------------------------|-------|-------------|------|------|
| | | MIN | NOM | MAX |
| Contact Pitch | E | 0.65 BSC | | |
| Optional Center Pad Width | W2 | | | 4.25 |
| Optional Center Pad Length | T2 | | | 4.25 |
| Contact Pad Spacing | C1 | | 5.70 | |
| Contact Pad Spacing | C2 | | 5.70 | |
| Contact Pad Width (X28) | X1 | | | 0.37 |
| Contact Pad Length (X28) | Y1 | | | 1.00 |
| Distance Between Pads | G | 0.20 | | |

Notes:

1. Dimensioning and tolerancing per ASME Y14.5M

BSC: Basic Dimension. Theoretically exact value shown without tolerances.

Microchip Technology Drawing No. C04-2105A

PIC32MX1XX/2XX 28/44-PIN XLP FAMILY

44-Lead Plastic Quad Flat, No Lead Package (ML) – 8x8 mm Body [QFN]

Note: For the most current package drawings, please see the Microchip Packaging Specification located at <http://www.microchip.com/packaging>



| | | Units | MILLIMETERS | | |
|------------------------|----|-------|-------------|------|-----|
| Dimension Limits | | | MIN | NOM | MAX |
| Number of Pins | N | | 44 | | |
| Pitch | e | | 0.65 BSC | | |
| Overall Height | A | 0.80 | 0.90 | 1.00 | |
| Standoff | A1 | 0.00 | 0.02 | 0.05 | |
| Contact Thickness | A3 | | 0.20 REF | | |
| Overall Width | E | | 8.00 BSC | | |
| Exposed Pad Width | E2 | 6.30 | 6.45 | 6.80 | |
| Overall Length | D | | 8.00 BSC | | |
| Exposed Pad Length | D2 | 6.30 | 6.45 | 6.80 | |
| Contact Width | b | 0.25 | 0.30 | 0.38 | |
| Contact Length | L | 0.30 | 0.40 | 0.50 | |
| Contact-to-Exposed Pad | K | 0.20 | - | - | |

Notes:

- Pin 1 visual index feature may vary, but must be located within the hatched area.
- Package is saw singulated.
- Dimensioning and tolerancing per ASME Y14.5M.
 - BSC: Basic Dimension. Theoretically exact value shown without tolerances.
 - REF: Reference Dimension, usually without tolerance, for information purposes only.

Microchip Technology Drawing C04-103B

PIC32MX1XX/2XX 28/44-PIN XLP FAMILY

44-Lead Plastic Quad Flat, No Lead Package (ML) – 8x8 mm Body [QFN]

Note: For the most current package drawings, please see the Microchip Packaging Specification located at <http://www.microchip.com/packaging>



RECOMMENDED LAND PATTERN

| Dimension Limits | Units | MILLIMETERS | | |
|----------------------------|-------|-------------|------|------|
| | | MIN | NOM | MAX |
| Contact Pitch | E | 0.65 BSC | | |
| Optional Center Pad Width | W2 | | | 6.80 |
| Optional Center Pad Length | T2 | | | 6.80 |
| Contact Pad Spacing | C1 | | 8.00 | |
| Contact Pad Spacing | C2 | | 8.00 | |
| Contact Pad Width (X44) | X1 | | | 0.35 |
| Contact Pad Length (X44) | Y1 | | | 0.80 |
| Distance Between Pads | G | 0.25 | | |

Notes:

1. Dimensioning and tolerancing per ASME Y14.5M

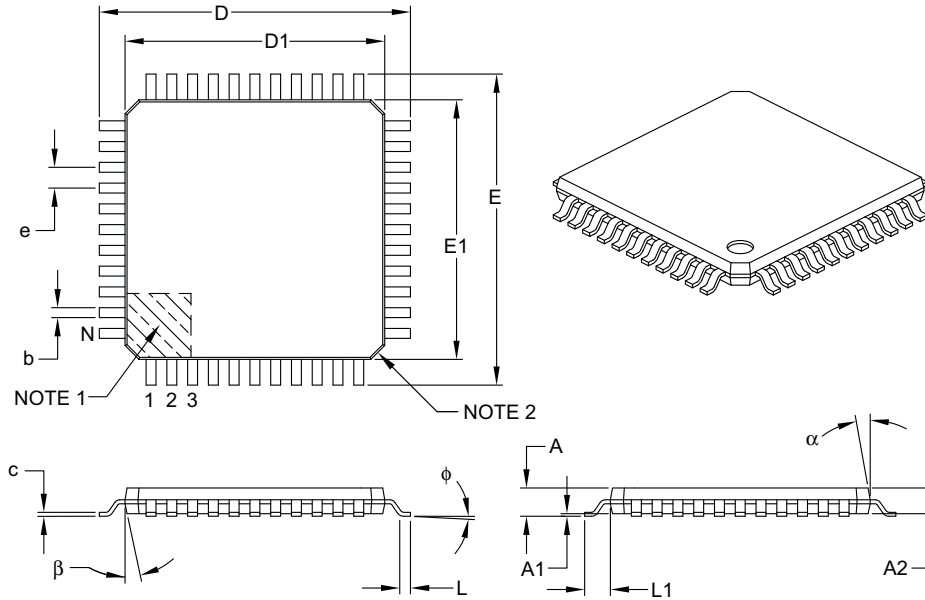
BSC: Basic Dimension. Theoretically exact value shown without tolerances.

Microchip Technology Drawing No. C04-2103A

PIC32MX1XX/2XX 28/44-PIN XLP FAMILY

44-Lead Plastic Thin Quad Flatpack (PT) – 10x10x1 mm Body, 2.00 mm [TQFP]

Note: For the most current package drawings, please see the Microchip Packaging Specification located at <http://www.microchip.com/packages>



| Dimension Limits | Units | MILLIMETERS | | |
|--------------------------|----------|-------------|------|------|
| | | MIN | NOM | MAX |
| Number of Leads | N | 44 | | |
| Lead Pitch | e | 0.80 BSC | | |
| Overall Height | A | – | – | 1.20 |
| Molded Package Thickness | A2 | 0.95 | 1.00 | 1.05 |
| Standoff | A1 | 0.05 | – | 0.15 |
| Foot Length | L | 0.45 | 0.60 | 0.75 |
| Footprint | L1 | 1.00 REF | | |
| Foot Angle | ϕ | 0° | 3.5° | 7° |
| Overall Width | E | 12.00 BSC | | |
| Overall Length | D | 12.00 BSC | | |
| Molded Package Width | E1 | 10.00 BSC | | |
| Molded Package Length | D1 | 10.00 BSC | | |
| Lead Thickness | c | 0.09 | – | 0.20 |
| Lead Width | b | 0.30 | 0.37 | 0.45 |
| Mold Draft Angle Top | α | 11° | 12° | 13° |
| Mold Draft Angle Bottom | β | 11° | 12° | 13° |

Notes:

- Pin 1 visual index feature may vary, but must be located within the hatched area.
- Chamfers at corners are optional; size may vary.
- Dimensions D1 and E1 do not include mold flash or protrusions. Mold flash or protrusions shall not exceed 0.25 mm per side.
- Dimensioning and tolerancing per ASME Y14.5M.

BSC: Basic Dimension. Theoretically exact value shown without tolerances.

REF: Reference Dimension, usually without tolerance, for information purposes only.

Microchip Technology Drawing C04-076B

PIC32MX1XX/2XX 28/44-PIN XLP FAMILY

44-Lead Plastic Thin Quad Flatpack (PT) 10X10X1 mm Body, 2.00 mm Footprint [TQFP]

Note: For the most current package drawings, please see the Microchip Packaging Specification located at <http://www.microchip.com/packaging>



RECOMMENDED LAND PATTERN

| Dimension Limits | Units | MILLIMETERS | | |
|--------------------------|-------|-------------|-------|------|
| | | MIN | NOM | MAX |
| Contact Pitch | E | 0.80 BSC | | |
| Contact Pad Spacing | C1 | | 11.40 | |
| Contact Pad Spacing | C2 | | 11.40 | |
| Contact Pad Width (X44) | X1 | | | 0.55 |
| Contact Pad Length (X44) | Y1 | | | 1.50 |
| Distance Between Pads | G | 0.25 | | |

Notes:

1. Dimensioning and tolerancing per ASME Y14.5M

BSC: Basic Dimension. Theoretically exact value shown without tolerances.

Microchip Technology Drawing No. C04-2076B

PIC32MX1XX/2XX 28/44-PIN XLP FAMILY

APPENDIX A: REVISION HISTORY

Revision A (May 2016)

This is the initial released version of this document.

PIC32MX1XX/2XX 28/44-PIN XLP FAMILY

NOTES:

PIC32MX1XX/2XX 28/44-PIN XLP FAMILY

INDEX

A

| | |
|---|-----|
| AC Characteristics | 310 |
| 10-Bit Conversion Rate Parameters | 332 |
| ADC Specifications | 330 |
| Analog-to-Digital Conversion Requirements | 333 |
| EJTAG Timing Requirements | 340 |
| Internal FRC Accuracy | 312 |
| Internal RC Accuracy | 312 |
| OTG Electrical Specifications | 338 |
| Parallel Master Port Read Requirements | 337 |
| Parallel Master Port Write | 338 |
| Parallel Master Port Write Requirements | 338 |
| Parallel Slave Port Requirements | 336 |
| PLL Clock Timing | 312 |
| ADC Pinout I/O Descriptions | 20 |
| Analog-to-Digital Converter (ADC) | 233 |
| Assembler | |
| MPASM Assembler | 294 |

B

| | |
|--|----------|
| Block Diagrams | |
| ADC Module | 233 |
| Comparator I/O Operating Modes | 245 |
| Comparator Voltage Reference | 249 |
| Connections for On-Chip Voltage Regulator | 289 |
| Core and Peripheral Modules | 19 |
| CPU | 39 |
| CTMU Configurations | |
| Time Measurement | 257 |
| DMA | 93 |
| I ² C Circuit | 196 |
| Input Capture | 179 |
| Interrupt Controller | 69 |
| JTAG Programming, Debugging and Trace Ports | 289 |
| Output Compare Module | 183 |
| PMP Pinout and Connections to External Devices | 211 |
| Prefetch Module | 113 |
| Reset System | 61 |
| RTCC | 223 |
| SPI Module | 187 |
| Timer1 | 163 |
| Timer2/3/4/5 (16-Bit) | 167 |
| Typical Multiplexed Port Structure | 147 |
| UART | 203 |
| WDT and Power-up Timer | 173, 177 |
| Brown-out Reset (BOR) | |
| and On-Chip Voltage Regulator | 289 |

C

| | |
|--|----------|
| C Compilers | |
| MPLAB C18 | 294 |
| Charge Time Measurement Unit (CTMU) | 257 |
| Comparator | |
| Specifications | 308, 309 |
| Comparator 1, 2, and CVREF Pinout I/O Descriptions | 27 |
| Comparator Module | 245 |
| Comparator Voltage Reference (CVref) | 249 |
| Configuration Bit | 277 |
| Configuring Analog Port Pins | 148 |
| CPU | |
| Architecture Overview | 40 |
| Coprocessor 0 Registers | 41 |
| Core Exception Types | 42 |

| | |
|--|--------|
| EJTAG Debug Support | 42 |
| Power Management | 42 |
| CPU Module | 33, 39 |
| CTMU Pinout I/O Descriptions | 30 |
| Customer Change Notification Service | 361 |
| Customer Notification Service | 361 |
| Customer Support | 361 |

D

| | |
|--|----------|
| DC and AC Characteristics | |
| Graphs and Tables | 341 |
| DC Characteristics | 298 |
| I/O Pin Input Specifications | 304, 305 |
| I/O Pin Output Specifications | 306 |
| Idle Current (I _{IDLE}) | 302 |
| Power-Down Current (I _{PD}) | 303 |
| Program Memory | 307 |
| Temperature and Voltage Specifications | 299 |
| Development Support | 293 |
| Direct Memory Access (DMA) Controller | 93 |

E

| | |
|---|-----|
| Electrical Characteristics | 297 |
| AC | 310 |
| High/Low-Voltage Detect | 300 |
| Errata | 16 |
| External Clock | |
| Timer1 Timing Requirements | 316 |
| Timer2, 3, 4, 5 Timing Requirements | 317 |
| Timing Requirements | 311 |
| External Interrupts Pinout I/O Descriptions | 22 |

F

| | |
|----------------------------|----|
| Flash Program Memory | 55 |
| RTSP Operation | 55 |

H

| | |
|---------------------------------|----|
| High-Voltage Detect (HVD) | 63 |
|---------------------------------|----|

I

| | |
|---|--------|
| I/O Ports | 147 |
| Parallel I/O (PIO) | 148 |
| Write/Read Timing | 148 |
| I ² C1 through I ² C4 Pinout I/O Descriptions | 26 |
| IC1 through IC5 Pinout I/O Descriptions | 21, 23 |
| Input Change Notification | 148 |
| Instruction Set | 291 |
| Inter-Integrated Circuit (I ² C) | 195 |
| Internal Voltage Reference Specifications | 309 |
| Internet Address | 361 |
| Interrupt Controller | 69 |
| IRG, Vector and Bit Location | 70 |

J

| | |
|--|----|
| JTAG, Trace, and Programming/Debugging | |
| Pinout I/O Descriptions | 32 |

M

| | |
|---------------------------------|----|
| Memory Maps | |
| PIC32MX150/250 Devices | |
| (32 KB RAM, 128 KB Flash) | 44 |
| PIC32MX170/270 | |
| (64 KB RAM, 256 KB Flash) | 45 |
| Memory Organization | 43 |

PIC32MX1XX/2XX 28/44-PIN XLP FAMILY

| | | | |
|--|-----|--|------------|
| Microchip Internet Web Site | 361 | CHEW0 (Cache Word 0) | 118 |
| MPLAB ASM30 Assembler, Linker, Librarian | 294 | CHEW1 (Cache Word 1) | 119 |
| MPLAB Integrated Development Environment Software | 293 | CHEW2 (Cache Word 2) | 119 |
| MPLAB PM3 Device Programmer | 295 | CHEW3 (Cache Word 3) | 120 |
| MPLAB REAL ICE In-Circuit Emulator System | 295 | CM1CON (Comparator 1 Control) | 247 |
| MPLINK Object Linker/MPLIB Object Librarian | 294 | CMSTAT (Comparator Status Register) | 248 |
| O | | CNCONx (Change Notice Control for PORTx) | 162 |
| OC1 through OC5 Pinout I/O Descriptions | 22 | CTMUCON (CTMU Control) | 259 |
| Oscillator Configuration | 79 | CVRCON (Comparator Voltage Reference Control) | 251 |
| Output Compare | 183 | DCHxCON (DMA Channel 'x' Control) | 103 |
| P | | DCHxCPTR (DMA Channel 'x' Cell Pointer) | 110 |
| Packaging | 345 | DCHxCSIZ (DMA Channel 'x' Cell-Size) | 110 |
| Details | 346 | DCHxDAT (DMA Channel 'x' Pattern Data) | 111 |
| Marking | 345 | DCHxDPTR (Channel 'x' Destination Pointer) | 109 |
| Parallel Master Port (PMP) | 211 | DCHxDSA (DMA Channel 'x' Destination Start Address) | 107 |
| Parallel Master Port Pinout I/O Descriptions | 28 | DCHxDSIZ (DMA Channel 'x' Destination Size) | 108 |
| PIC32 Family USB Interface Diagram | 124 | DCHxECON (DMA Channel 'x' Event Control) | 104 |
| Pinout I/O Descriptions | 21 | DCHxINT (DMA Channel 'x' Interrupt Control) | 105 |
| Power, Ground, and Voltage Reference Pinout I/O Descriptions | 31 | DCHxSPTR (DMA Channel 'x' Source Pointer) | 109 |
| Power-on Reset (POR) and On-Chip Voltage Regulator | 289 | DCHxSSA (DMA Channel 'x' Source Start Address) | 107 |
| Power-Saving Features | 263 | DCHxSSIZ (DMA Channel 'x' Source Size) | 108 |
| CPU Halted Methods | 263 | DCRCCON (DMA CRC Control) | 100 |
| Operation | 263 | DCRCDATA (DMA CRC Data) | 102 |
| with CPU Running | 263 | DCRCXOR (DMA CRCXOR Enable) | 102 |
| Prefetch Cache | 113 | DEVCFG0 (Device Configuration Word 0) | 279 |
| R | | DEVCFG1 (Device Configuration Word 1) | 281 |
| Real-Time Clock and Calendar (RTCC) | 223 | DEVCFG2 (Device Configuration Word 2) | 283 |
| Register Map | | DEVCFG3 (Device Configuration Word 3) | 286 |
| Flash Controller | 174 | DEVID (Device and Revision ID) | 288 |
| High/Low-Voltage Detect | 254 | DMAADDR (DMA Address) | 99 |
| Oscillator Configuration | 81 | DMACON (DMA Controller Control) | 98 |
| Prefetch | 114 | DMASTAT (DMA Status) | 99 |
| UART1 and UART2 | 204 | I2CxCON (I ² C Control) | 198 |
| Registers | | I2CxSTAT (I ² C Status) | 200 |
| [<i>pin name</i>]R (Peripheral Pin Select Input) | 161 | ICxCON (Input Capture 'x' Control) | 181 |
| AD1CHS (ADC Input Select) | 241 | IECx (Interrupt Enable Control) | 76 |
| AD1CON1 (ADC Control 1) | 237 | IFSx (Interrupt Flag Status) | 76 |
| AD1CON2 (ADC Control 2) | 239 | INTCON (Interrupt Control) | 74 |
| AD1CON3 (ADC Control 3) | 240 | INTSTAT (Interrupt Status) | 75 |
| AD1CSSL (ADC Input Scan Select) | 243 | IPCx (Interrupt Priority Control) | 77 |
| ALRMDATE (Alarm Date Value) | 232 | IPTMR (Interrupt Proximity Timer) | 75 |
| ALRMTIME (Alarm Time Value) | 231 | NVMADDR (Flash Address) | 58 |
| BMXBOOTSZ (Boot Flash (IFM) Size) | 53 | NVMCON (Programming Control) | 57 |
| BMXCON (Bus Matrix Configuration) | 48 | NVMDATA (Flash Program Data) | 59 |
| BMXDKPBA (Data RAM Kernel Program Base Address) | 49 | NVMKEY (Programming Unlock) | 58 |
| BMXDRMSZ (Data RAM Size Register) | 52 | NVMSRCADDR (Source Data Address) | 59 |
| BMXDUDBA (Data RAM User Data Base Address) | 50 | OCxCON (Output Compare 'x' Control) | 185 |
| BMXDUPBA (Data RAM User Program Base Address) | 51 | OSCCON (Oscillator Control) | 82 |
| BMXPFMSZ (Program Flash (PFM) Size) | 53 | OSCTUN (FRC Tuning) | 84 |
| BMXPUPBA (Program Flash (PFM) User Program Base Address) | 52 | PB0DIV (Peripheral Bus Clock 0 Divisor Control) | 90 |
| CFGCON (Configuration Control) | 287 | PFABT (Prefetch Cache Abort Statistics) | 122 |
| CHEACC (Cache Access) | 116 | PMADDR (Parallel Port Address) | 217 |
| CHECON (Cache Control) | 115 | PMAEN (Parallel Port Pin Enable) | 218 |
| CHEHIT (Cache Hit Statistics) | 121 | PMCON (Parallel Port Control) | 213 |
| CHELRU (Cache LRU) | 120 | PMDIN (Parallel Port Input Data) | 222 |
| CHEMIS (Cache Miss Statistics) | 121 | PMMODE (Parallel Port Mode) | 215 |
| CHEMSK (Cache TAG Mask) | 118 | PMRADDR (Parallel Port Read Address) | 221 |
| CHETAG (Cache TAG) | 117 | PMSTAT (Parallel Port Status (Slave Modes Only)) | 219 |
| | | PMWADDR (Parallel Port Write Address) | 220 |
| | | REFO0CON (Reference Oscillator Control) | 88 |
| | | REFO0TRIM (Reference Oscillator Trim) | 89 |
| | | RPnR (Peripheral Pin Select Output) | 161 |
| | | RSWRST (Software Reset) | 65, 66, 67 |
| | | RTCCON (RTCC Control) | 225 |

PIC32MX1XX/2XX 28/44-PIN XLP FAMILY

| | | | |
|--|----------|---|-----|
| RTCDATE (RTC Date Value) | 230 | (ASAM = 1, SSRC<2:0> = 111, SAMC<4:0> = 00001) | 335 |
| RTCTIME (RTC Time Value) | 229 | EJTAG | 340 |
| SPIxCON (SPI Control) | 189 | External Clock | 310 |
| SPIxCON2 (SPI Control 2) | 192 | I/O Characteristics | 313 |
| SPIxSTAT (SPI Status) | 193 | I2Cx Bus Data (Master Mode) | 324 |
| SPLLCON (System PLL Control) | 85, 87 | I2Cx Bus Data (Slave Mode) | 327 |
| T1CON (Type A Timer Control) | 165 | I2Cx Bus Start/Stop Bits (Master Mode) | 324 |
| TxCON (Type B Timer Control) | 170 | I2Cx Bus Start/Stop Bits (Slave Mode) | 327 |
| U1ADDR (USB Address) | 141 | Input Capture (CAPx) | 317 |
| U1BDTP1 (USB BDT Page 1) | 143 | OCx/PWM | 318 |
| U1BDTP2 (USB BDT Page 2) | 144 | Output Compare (OCx) | 318 |
| U1BDTP3 (USB BDT Page 3) | 144 | Parallel Master Port Read | 336 |
| U1CNFG1 (USB Configuration 1) | 145 | Parallel Master Port Write | 337 |
| U1CON (USB Control) | 139 | Parallel Slave Port | 335 |
| U1EIE (USB Error Interrupt Enable) | 137 | SPIx Master Mode (CKE = 0) | 319 |
| U1EIR (USB Error Interrupt Status) | 135 | SPIx Master Mode (CKE = 1) | 320 |
| U1EP0-U1EP15 (USB Endpoint Control) | 146 | SPIx Slave Mode (CKE = 0) | 321 |
| U1FRMH (USB Frame Number High) | 142 | SPIx Slave Mode (CKE = 1) | 322 |
| U1FRML (USB Frame Number Low) | 141 | Timer1 - Timer5 External Clock | 316 |
| U1IE (USB Interrupt Enable) | 134 | UART Reception | 209 |
| U1IR (USB Interrupt) | 133 | UART Transmission (8-bit or 9-bit Data) | 209 |
| U1OTGCON (USB OTG Control) | 131 | Timing Requirements | |
| U1OTGIE (USB OTG Interrupt Enable) | 129 | CLKO and I/O | 313 |
| U1OTGIR (USB OTG Interrupt Status) | 128 | Timing Specifications | |
| U1OTGSTAT (USB OTG Status) | 130 | I2Cx Bus Data Requirements (Master Mode) | 325 |
| U1PWRC (USB Power Control) | 132 | I2Cx Bus Data Requirements (Slave Mode) | 328 |
| U1SOF (USB SOF Threshold) | 143 | Input Capture Requirements | 317 |
| U1STAT (USB Status) | 138 | Output Compare Requirements | 318 |
| U1TOK (USB Token) | 142 | Simple OCx/PWM Mode Requirements | 318 |
| UPLLCON (USB PLL Control) | 87 | SPIx Master Mode (CKE = 0) Requirements | 319 |
| WDTCON (Watchdog Timer Control) | 175, 270 | SPIx Master Mode (CKE = 1) Requirements | 320 |
| Resets | 61 | SPIx Slave Mode (CKE = 1) Requirements | 322 |
| Revision History | 355 | SPIx Slave Mode Requirements (CKE = 0) | 321 |
| RTCALRM (RTC ALARM Control) | 227 | | |
| S | | U | |
| Serial Peripheral Interface (SPI) | 187 | UART | 203 |
| Software Simulator (MPLAB SIM) | 295 | UART1 and UART2 Pinout I/O Descriptions | 25 |
| Special Features | 277 | USB On-The-Go (OTG) | 123 |
| SPI1 and SPI2 Pinout I/O Descriptions | 26 | USB Pinout I/O Descriptions | 29 |
| T | | V | |
| Timer1 Module | 163 | VCAP pin | 289 |
| Timer1-Timer5 and RTCC Pinout I/O Descriptions | 25 | Voltage Regulator (On-Chip) | 289 |
| Timer2/3, Timer4/5 Modules | 167 | W | |
| Timing Diagrams | | Watchdog Timer and Power-up Timer SFR Summary | 267 |
| 10-Bit Analog-to-Digital Conversion | | WWW Address | 361 |
| (ASAM = 0, SSRC<2:0> = 000) | 334 | WWW, On-Line Support | 16 |
| 10-Bit Analog-to-Digital Conversion | | | |

PIC32MX1XX/2XX 28/44-PIN XLP FAMILY

NOTES:

PIC32MX1XX/2XX 28/44-PIN XLP FAMILY

THE MICROCHIP WEB SITE

Microchip provides online support via our WWW site at www.microchip.com. This web site is used as a means to make files and information easily available to customers. Accessible by using your favorite Internet browser, the web site contains the following information:

- **Product Support** – Data sheets and errata, application notes and sample programs, design resources, user's guides and hardware support documents, latest software releases and archived software
- **General Technical Support** – Frequently Asked Questions (FAQ), technical support requests, online discussion groups, Microchip consultant program member listing
- **Business of Microchip** – Product selector and ordering guides, latest Microchip press releases, listing of seminars and events, listings of Microchip sales offices, distributors and factory representatives

CUSTOMER CHANGE NOTIFICATION SERVICE

Microchip's customer notification service helps keep customers current on Microchip products. Subscribers will receive e-mail notification whenever there are changes, updates, revisions or errata related to a specified product family or development tool of interest.

To register, access the Microchip web site at www.microchip.com. Under "Support", click on "Customer Change Notification" and follow the registration instructions.

CUSTOMER SUPPORT

Users of Microchip products can receive assistance through several channels:

- Distributor or Representative
- Local Sales Office
- Field Application Engineer (FAE)
- Technical Support

Customers should contact their distributor, representative or Field Application Engineer (FAE) for support. Local sales offices are also available to help customers. A listing of sales offices and locations is included in the back of this document.

Technical support is available through the web site at: <http://microchip.com/support>

PIC32MX1XX/2XX 28/44-PIN XLP FAMILY

PRODUCT IDENTIFICATION SYSTEM

To order or obtain information, e.g., on pricing or delivery, refer to the factory or the listed sales office.

| | PIC32 | MX | 1XX | F | 128 | D | T | - 70 | I / V | PT | - XXX |
|------------------------------------|-------|-------|-------|-------|-------|-------|-------|-------|-------|-------|-------|
| Microchip Brand | _____ | _____ | _____ | _____ | _____ | _____ | _____ | _____ | _____ | _____ | _____ |
| Architecture | _____ | _____ | _____ | _____ | _____ | _____ | _____ | _____ | _____ | _____ | _____ |
| Product Groups | _____ | _____ | _____ | _____ | _____ | _____ | _____ | _____ | _____ | _____ | _____ |
| Flash Memory Family | _____ | _____ | _____ | _____ | _____ | _____ | _____ | _____ | _____ | _____ | _____ |
| Program Memory Size (KB) | _____ | _____ | _____ | _____ | _____ | _____ | _____ | _____ | _____ | _____ | _____ |
| Pin Count | _____ | _____ | _____ | _____ | _____ | _____ | _____ | _____ | _____ | _____ | _____ |
| Tape and Reel Flag (if applicable) | _____ | _____ | _____ | _____ | _____ | _____ | _____ | _____ | _____ | _____ | _____ |
| Speed (if applicable) | _____ | _____ | _____ | _____ | _____ | _____ | _____ | _____ | _____ | _____ | _____ |
| Temperature Range | _____ | _____ | _____ | _____ | _____ | _____ | _____ | _____ | _____ | _____ | _____ |
| Package | _____ | _____ | _____ | _____ | _____ | _____ | _____ | _____ | _____ | _____ | _____ |
| Pattern | _____ | _____ | _____ | _____ | _____ | _____ | _____ | _____ | _____ | _____ | _____ |

Flash Memory Family

| | |
|---------------------|--|
| Architecture | MX = M4K [®] MCU core |
| Product Groups | 1X4 = General purpose microcontroller family without VBAT 1X5 = General purpose microcontroller family with VBAT 2X4 = USB microcontroller family without VBAT 2X5 = USB microcontroller family with VBAT |
| Flash Memory Family | F = Flash program memory |
| Program Memory Size | 128 = 128K 256 = 256K |
| Pin Count | B = 28-pin D = 44-pin |
| Speed | 70 = 72 MHz |
| Temperature Range | I = -40°C to +85°C (Industrial) V = -40°C to +105°C (V-temp) |
| Package | ML = 28-Lead (6x6 mm) QFN (Plastic Quad Flatpack) ML = 44-Lead (8x8 mm) QFN (Plastic Quad Flatpack) PT = 44-Lead (10x10x1 mm) TQFP (Plastic Thin Quad Flatpack) SO = 28-Lead (7.50 mm) SOIC (Plastic Small Outline) |
| Pattern | Three-digit QTP, SQTP, Code or Special Requirements (blank otherwise) ES = Engineering Sample |

Example:

PIC32MX154F128DT-I/PT:
General purpose PIC32,
32-bit RISC MCU with M4K[®] core,
32 KB program memory, 44-pin,
Industrial temperature,
TQFP package.

Note the following details of the code protection feature on Microchip devices:

- Microchip products meet the specification contained in their particular Microchip Data Sheet.
- Microchip believes that its family of products is one of the most secure families of its kind on the market today, when used in the intended manner and under normal conditions.
- There are dishonest and possibly illegal methods used to breach the code protection feature. All of these methods, to our knowledge, require using the Microchip products in a manner outside the operating specifications contained in Microchip's Data Sheets. Most likely, the person doing so is engaged in theft of intellectual property.
- Microchip is willing to work with the customer who is concerned about the integrity of their code.
- Neither Microchip nor any other semiconductor manufacturer can guarantee the security of their code. Code protection does not mean that we are guaranteeing the product as "unbreakable."

Code protection is constantly evolving. We at Microchip are committed to continuously improving the code protection features of our products. Attempts to break Microchip's code protection feature may be a violation of the Digital Millennium Copyright Act. If such acts allow unauthorized access to your software or other copyrighted work, you may have a right to sue for relief under that Act.

Information contained in this publication regarding device applications and the like is provided only for your convenience and may be superseded by updates. It is your responsibility to ensure that your application meets with your specifications. MICROCHIP MAKES NO REPRESENTATIONS OR WARRANTIES OF ANY KIND WHETHER EXPRESS OR IMPLIED, WRITTEN OR ORAL, STATUTORY OR OTHERWISE, RELATED TO THE INFORMATION, INCLUDING BUT NOT LIMITED TO ITS CONDITION, QUALITY, PERFORMANCE, MERCHANTABILITY OR FITNESS FOR PURPOSE. Microchip disclaims all liability arising from this information and its use. Use of Microchip devices in life support and/or safety applications is entirely at the buyer's risk, and the buyer agrees to defend, indemnify and hold harmless Microchip from any and all damages, claims, suits, or expenses resulting from such use. No licenses are conveyed, implicitly or otherwise, under any Microchip intellectual property rights unless otherwise stated.

Microchip received ISO/TS-16949:2009 certification for its worldwide headquarters, design and wafer fabrication facilities in Chandler and Tempe, Arizona; Gresham, Oregon and design centers in California and India. The Company's quality system processes and procedures are for its PIC[®] MCUs and dsPIC[®] DSCs, KEELOQ[®] code hopping devices, Serial EEPROMs, microperipherals, nonvolatile memory and analog products. In addition, Microchip's quality system for the design and manufacture of development systems is ISO 9001:2000 certified.

**QUALITY MANAGEMENT SYSTEM
CERTIFIED BY DNV
= ISO/TS 16949 =**

Trademarks

The Microchip name and logo, the Microchip logo, AnyRate, dsPIC, FlashFlex, flexPWR, Heldo, JukeBlox, KeeLoq, KeeLoq logo, Klear, LANCheck, LINK MD, MediaLB, MOST, MOST logo, MPLAB, OptoLyzer, PIC, PICSTART, PIC32 logo, RightTouch, SpyNIC, SST, SST Logo, SuperFlash and UNI/O are registered trademarks of Microchip Technology Incorporated in the U.S.A. and other countries.

ClockWorks, The Embedded Control Solutions Company, ETHERSYNCH, Hyper Speed Control, HyperLight Load, IntelliMOS, mTouch, Precision Edge, and QUIET-WIRE are registered trademarks of Microchip Technology Incorporated in the U.S.A.

Analog-for-the-Digital Age, Any Capacitor, AnyIn, AnyOut, BodyCom, chipKIT, chipKIT logo, CodeGuard, dsPICDEM, dsPICDEM.net, Dynamic Average Matching, DAM, ECAN, EtherGREEN, In-Circuit Serial Programming, ICSP, Inter-Chip Connectivity, JitterBlocker, KlearNet, KlearNet logo, MiWi, motorBench, MPASM, MPF, MPLAB Certified logo, MPLIB, MPLINK, MultiTRAK, NetDetach, Omniscient Code Generation, PICDEM, PICDEM.net, PICKit, PICtail, PureSilicon, RightTouch logo, REAL ICE, Ripple Blocker, Serial Quad I/O, SQL, SuperSwitcher, SuperSwitcher II, Total Endurance, TSHARC, USBCheck, VariSense, ViewSpan, WiperLock, Wireless DNA, and ZENA are trademarks of Microchip Technology Incorporated in the U.S.A. and other countries.

SQTP is a service mark of Microchip Technology Incorporated in the U.S.A.

Silicon Storage Technology is a registered trademark of Microchip Technology Inc. in other countries.

GestIC is a registered trademarks of Microchip Technology Germany II GmbH & Co. KG, a subsidiary of Microchip Technology Inc., in other countries.

All other trademarks mentioned herein are property of their respective companies.

© 2016, Microchip Technology Incorporated, Printed in the U.S.A., All Rights Reserved.

ISBN: 978-1-5224-0583-2



MICROCHIP

Worldwide Sales and Service

AMERICAS

Corporate Office
2355 West Chandler Blvd.
Chandler, AZ 85224-6199
Tel: 480-792-7200
Fax: 480-792-7277
Technical Support:
<http://www.microchip.com/support>
Web Address:
www.microchip.com

Atlanta
Duluth, GA
Tel: 678-957-9614
Fax: 678-957-1455

Austin, TX
Tel: 512-257-3370

Boston
Westborough, MA
Tel: 774-760-0087
Fax: 774-760-0088

Chicago
Itasca, IL
Tel: 630-285-0071
Fax: 630-285-0075

Cleveland
Independence, OH
Tel: 216-447-0464
Fax: 216-447-0643

Dallas
Addison, TX
Tel: 972-818-7423
Fax: 972-818-2924

Detroit
Novi, MI
Tel: 248-848-4000

Houston, TX
Tel: 281-894-5983

Indianapolis
Noblesville, IN
Tel: 317-773-8323
Fax: 317-773-5453

Los Angeles
Mission Viejo, CA
Tel: 949-462-9523
Fax: 949-462-9608

New York, NY
Tel: 631-435-6000

San Jose, CA
Tel: 408-735-9110

Canada - Toronto
Tel: 905-673-0699
Fax: 905-673-6509

ASIA/PACIFIC

Asia Pacific Office
Suites 3707-14, 37th Floor
Tower 6, The Gateway
Harbour City, Kowloon

Hong Kong
Tel: 852-2943-5100
Fax: 852-2401-3431

Australia - Sydney
Tel: 61-2-9868-6733
Fax: 61-2-9868-6755

China - Beijing
Tel: 86-10-8569-7000
Fax: 86-10-8528-2104

China - Chengdu
Tel: 86-28-8665-5511
Fax: 86-28-8665-7889

China - Chongqing
Tel: 86-23-8980-9588
Fax: 86-23-8980-9500

China - Dongguan
Tel: 86-769-8702-9880

China - Hangzhou
Tel: 86-571-8792-8115
Fax: 86-571-8792-8116

China - Hong Kong SAR
Tel: 852-2943-5100
Fax: 852-2401-3431

China - Nanjing
Tel: 86-25-8473-2460
Fax: 86-25-8473-2470

China - Qingdao
Tel: 86-532-8502-7355
Fax: 86-532-8502-7205

China - Shanghai
Tel: 86-21-5407-5533
Fax: 86-21-5407-5066

China - Shenyang
Tel: 86-24-2334-2829
Fax: 86-24-2334-2393

China - Shenzhen
Tel: 86-755-8864-2200
Fax: 86-755-8203-1760

China - Wuhan
Tel: 86-27-5980-5300
Fax: 86-27-5980-5118

China - Xian
Tel: 86-29-8833-7252
Fax: 86-29-8833-7256

ASIA/PACIFIC

China - Xiamen
Tel: 86-592-2388138
Fax: 86-592-2388130

China - Zhuhai
Tel: 86-756-3210040
Fax: 86-756-3210049

India - Bangalore
Tel: 91-80-3090-4444
Fax: 91-80-3090-4123

India - New Delhi
Tel: 91-11-4160-8631
Fax: 91-11-4160-8632

India - Pune
Tel: 91-20-3019-1500

Japan - Osaka
Tel: 81-6-6152-7160
Fax: 81-6-6152-9310

Japan - Tokyo
Tel: 81-3-6880-3770
Fax: 81-3-6880-3771

Korea - Daegu
Tel: 82-53-744-4301
Fax: 82-53-744-4302

Korea - Seoul
Tel: 82-2-554-7200
Fax: 82-2-558-5932 or
82-2-558-5934

Malaysia - Kuala Lumpur
Tel: 60-3-6201-9857
Fax: 60-3-6201-9859

Malaysia - Penang
Tel: 60-4-227-8870
Fax: 60-4-227-4068

Philippines - Manila
Tel: 63-2-634-9065
Fax: 63-2-634-9069

Singapore
Tel: 65-6334-8870
Fax: 65-6334-8850

Taiwan - Hsin Chu
Tel: 886-3-5778-366
Fax: 886-3-5770-955

Taiwan - Kaohsiung
Tel: 886-7-213-7828

Taiwan - Taipei
Tel: 886-2-2508-8600
Fax: 886-2-2508-0102

Thailand - Bangkok
Tel: 66-2-694-1351
Fax: 66-2-694-1350

EUROPE

Austria - Wels
Tel: 43-7242-2244-39
Fax: 43-7242-2244-393

Denmark - Copenhagen
Tel: 45-4450-2828
Fax: 45-4485-2829

France - Paris
Tel: 33-1-69-53-63-20
Fax: 33-1-69-30-90-79

Germany - Dusseldorf
Tel: 49-2129-3766400

Germany - Karlsruhe
Tel: 49-721-625370

Germany - Munich
Tel: 49-89-627-144-0
Fax: 49-89-627-144-44

Italy - Milan
Tel: 39-0331-742611
Fax: 39-0331-466781

Italy - Venice
Tel: 39-049-7625286

Netherlands - Druenen
Tel: 31-416-690399
Fax: 31-416-690340

Poland - Warsaw
Tel: 48-22-3325737

Spain - Madrid
Tel: 34-91-708-08-90
Fax: 34-91-708-08-91

Sweden - Stockholm
Tel: 46-8-5090-4654

UK - Wokingham
Tel: 44-118-921-5800
Fax: 44-118-921-5820

07/14/15

Mouser Electronics

Authorized Distributor

Click to View Pricing, Inventory, Delivery & Lifecycle Information:

Microchip:

[PIC32MX155F128B-I/SO](#) [PIC32MX154F128D-I/ML](#) [PIC32MX274F256DT-V/ML](#) [PIC32MX174F256D-I/ML](#)
[PIC32MX154F128DT-V/ML](#) [PIC32MX274F256D-I/ML](#) [PIC32MX254F128B-I/MM](#) [PIC32MX174F256DT-V/PT](#)
[PIC32MX174F256DT-V/ML](#) [PIC32MX174F256B-I/MM](#) [PIC32MX254F128D-V/PT](#) [PIC32MX254F128D-I/PT](#)
[PIC32MX154F128B-V/MM](#) [PIC32MX254F128B-V/MM](#) [PIC32MX174F256DT-I/ML](#) [PIC32MX254F128D-V/ML](#)
[PIC32MX174F256D-I/PT](#) [PIC32MX254F128BT-I/SO](#) [PIC32MX174F256B-V/SO](#) [PIC32MX254F128BT-V/MM](#)
[PIC32MX254F128BT-V/SO](#) [PIC32MX154F128DT-I/ML](#) [PIC32MX154F128B-I/MM](#) [PIC32MX254F128B-I/SO](#)
[PIC32MX254F128BT-I/MM](#) [PIC32MX154F128B-V/SO](#) [PIC32MX174F256BT-I/SO](#) [PIC32MX154F128BT-V/SO](#)
[PIC32MX254F128B-V/SO](#) [PIC32MX274F256BT-V/SO](#) [PIC32MX274F256B-I/MM](#) [PIC32MX154F128D-V/ML](#)
[PIC32MX274F256D-V/ML](#) [PIC32MX154F128BT-V/MM](#) [PIC32MX254F128D-I/ML](#) [PIC32MX154F128DT-I/PT](#)
[PIC32MX254F128DT-V/PT](#) [PIC32MX154F128BT-I/SO](#) [PIC32MX274F256D-I/PT](#) [PIC32MX274F256B-V/MM](#)
[PIC32MX174F256D-V/PT](#) [PIC32MX174F256B-I/SO](#) [PIC32MX274F256D-V/PT](#) [PIC32MX174F256BT-V/MM](#)
[PIC32MX154F128BT-I/MM](#) [PIC32MX274F256B-I/SO](#) [PIC32MX174F256BT-V/SO](#) [PIC32MX274F256BT-I/SO](#)
[PIC32MX154F128DT-V/PT](#) [PIC32MX274F256BT-V/MM](#) [PIC32MX174F256D-V/ML](#) [PIC32MX274F256DT-I/PT](#)
[PIC32MX274F256BT-I/MM](#) [PIC32MX254F128DT-I/PT](#) [PIC32MX174F256DT-I/PT](#) [PIC32MX274F256DT-V/PT](#)
[PIC32MX154F128B-I/SO](#) [PIC32MX274F256DT-I/ML](#) [PIC32MX254F128DT-I/ML](#) [PIC32MX154F128D-V/PT](#)
[PIC32MX174F256BT-I/MM](#) [PIC32MX274F256B-V/SO](#) [PIC32MX254F128DT-V/ML](#) [PIC32MX154F128D-I/PT](#)
[PIC32MX174F256B-V/MM](#)

Компания «Океан Электроники» предлагает заключение долгосрочных отношений при поставках импортных электронных компонентов на взаимовыгодных условиях!

Наши преимущества:

- Поставка оригинальных импортных электронных компонентов напрямую с производств Америки, Европы и Азии, а так же с крупнейших складов мира;
- Широкая линейка поставок активных и пассивных импортных электронных компонентов (более 30 млн. наименований);
- Поставка сложных, дефицитных, либо снятых с производства позиций;
- Оперативные сроки поставки под заказ (от 5 рабочих дней);
- Экспресс доставка в любую точку России;
- Помощь Конструкторского Отдела и консультации квалифицированных инженеров;
- Техническая поддержка проекта, помощь в подборе аналогов, поставка прототипов;
- Поставка электронных компонентов под контролем ВП;
- Система менеджмента качества сертифицирована по Международному стандарту ISO 9001;
- При необходимости вся продукция военного и аэрокосмического назначения проходит испытания и сертификацию в лаборатории (по согласованию с заказчиком);
- Поставка специализированных компонентов военного и аэрокосмического уровня качества (Xilinx, Altera, Analog Devices, Intersil, Interpoint, Microsemi, Actel, Aeroflex, Peregrine, VPT, Syfer, Eurofarad, Texas Instruments, MS Kennedy, Miteq, Cobham, E2V, MA-COM, Hittite, Mini-Circuits, General Dynamics и др.);

Компания «Океан Электроники» является официальным дистрибьютором и эксклюзивным представителем в России одного из крупнейших производителей разъемов военного и аэрокосмического назначения «JONHON», а так же официальным дистрибьютором и эксклюзивным представителем в России производителя высокотехнологичных и надежных решений для передачи СВЧ сигналов «FORSTAR».



JONHON

«JONHON» (основан в 1970 г.)

Разъемы специального, военного и аэрокосмического назначения:

(Применяются в военной, авиационной, аэрокосмической, морской, железнодорожной, горно- и нефтедобывающей отраслях промышленности)

«FORSTAR» (основан в 1998 г.)

ВЧ соединители, коаксиальные кабели, кабельные сборки и микроволновые компоненты:

(Применяются в телекоммуникациях гражданского и специального назначения, в средствах связи, РЛС, а так же военной, авиационной и аэрокосмической отраслях промышленности).



Телефон: 8 (812) 309-75-97 (многоканальный)

Факс: 8 (812) 320-03-32

Электронная почта: ocean@oceanchips.ru

Web: <http://oceanchips.ru/>

Адрес: 198099, г. Санкт-Петербург, ул. Калинина, д. 2, корп. 4, лит. А