

LTC7000-1

Fast High Voltage Protected High Side NMOS Static Switch Driver

DESCRIPTION

Demonstration circuit 2492A is a 135V protected, high side switch featuring the [LTC[®]7000-1](#). The demo board is designed to switch a 5.5A output load from input voltages from 8V to 135V. The wide input range and low shutdown current (1 μ A typical) make it suitable for automotive, industrial, medical instrument and telecom applications. This board offers a low 50ns (typical) propagation delay, fast switching times (<10ns) and 100% duty cycle operation.

The LTC7000-1 is a fast high voltage protected high side N-channel MOSFET driver with high voltage pin spacing (0.657mm). An internal charge pump fully enhances an external N-channel MOSFET switch, allowing it to remain on indefinitely. A powerful gate driver can drive large gate capacitance MOSFETs with very short transition times, ideal for both high frequency switching and static switch applications. The LTC7000-1 operates over a 3.5V to 135V input supply range. When an external current sense resistor and internal comparator sense that the switch current has exceeded a preset level, a fault flag is asserted and the switch is turned off after a period of time set by an external timing capacitor. After a cooldown period, the LTC7000-1 can be configured to automatically retry or remain off until the input is re-cycled.

The demo board includes input capacitors and an output diode to accommodate input and output supply inductance when switching loads. The switch can be controlled directly with external signal or using the on-board on/off switch. A single-shot pulse generator is included for evaluating switching times while limiting output power. Optional auxiliary V_{CC} input accommodates gate power associated with high frequency switching. Positions for RC delay network to control inrush current are also included.

The LTC7000-1 data sheet gives a complete description of the part, operation and application information. The data sheet must be read in conjunction with this demo manual for demo circuit 2492A. Proper board layout is essential for maximum thermal and electrical performance. See the data sheet sections for details. The LTC7000-1 is available in 16-lead MSOP package and three operating junction temperature grades, extended and industrial from -40°C to 125°C , high temp automotive version from -40°C to 150°C and a military grade from -55°C to 150°C .

Design files for this circuit board are available at <http://www.linear.com/demo/DC2492A>

Δ , LT, LTC, LTM, Linear Technology and the Linear Logo are registered trademarks of Analog Devices, Inc. All other trademarks are the property of their respective owners.

PERFORMANCE SUMMARY

SYMBOL	PARAMETER	CONDITIONS Specifications are at $T_A = 25^{\circ}\text{C}$	MIN	TYP	MAX	UNITS
V_{IN}	Input Voltage		8.0		135	V
I_{OUT}	Output Current		5.5			A
	Insertion Drop	$V_{IN} - V_{OUT}$, 5.5A Load, Input to Output Terminals		150		mV
V_{IN}	Start-Up Voltage	100k Ω Load, $V_{INP} = 4\text{V}$		7.0	8.0	V
V_{CCUV}	V_{CC} Undervoltage Lockout	V_{CC} Rising V_{CC} Falling Hysteresis	6.5 5.8	7.0 6.4 0.6	7.5 6.9	V V V
	Overcurrent to V_{OUT} Low	Turn-On into a 10A Resistive Load		19		μs
	Input to Output Propagation Delay	$V_{IN} = 135\text{V}$, 50 Ω Load, $INP = 2.2\text{V}$ to $V_{OUT} = 13.5\text{V}$		50		ns
	Output Rise Time	$V_{IN} = 135\text{V}$, 50 Ω Load, 10% to 90%		6.5		ns

QUICK START PROCEDURE

Refer to Figure 1 for proper measurement equipment setup and follow the procedure below:

NOTE: When measuring the output voltage during switching transitions, care must be taken to avoid a long ground lead on the oscilloscope probe. Measure the output voltage by touching the probe tip and ground ring directly across the output capacitor as shown in Figure 2.

1. Place SW1 to OFF position. Move JP1 from the PULSE (default position) to ON/OFF position (load on continuously when SW1 is ON).
2. With input power supply set to zero volt and power off, connect the input power supply to +VIN and GND.
3. With power off, connect load from +VOUT to GND.
4. Turn on the input power supply and increase the input voltage slowly to 8V minimum. The input range is up to 135V but hot-plugging with long leads may result in input voltages in excess of 135V.

5. Place SW1 to ON position.
6. Check for the proper output voltage using a voltmeter. Output voltage should be close to input voltage.

NOTE: If there is no output, temporarily disconnect the load and cycle SW1 (the ON/OFF switch) or press reset pushbutton SW2. If output is good, the load may be set too high.

7. Once the proper output voltage is established, adjust the load, if desired, to test current limit.
8. Placing SW1 to OFF position, moving JP1 to PULSE position then placing SW1 in ON position will allow pulse operation. Pushing SW2 will turn the high side switch on for 300µs time.
9. Placing SW1 to OFF position, moving JP1 to INPUT position connects INPUT terminal to LTC7000-1 INP pin. An INPUT pin voltage of 2.2V or more will turn-on the high side switch.

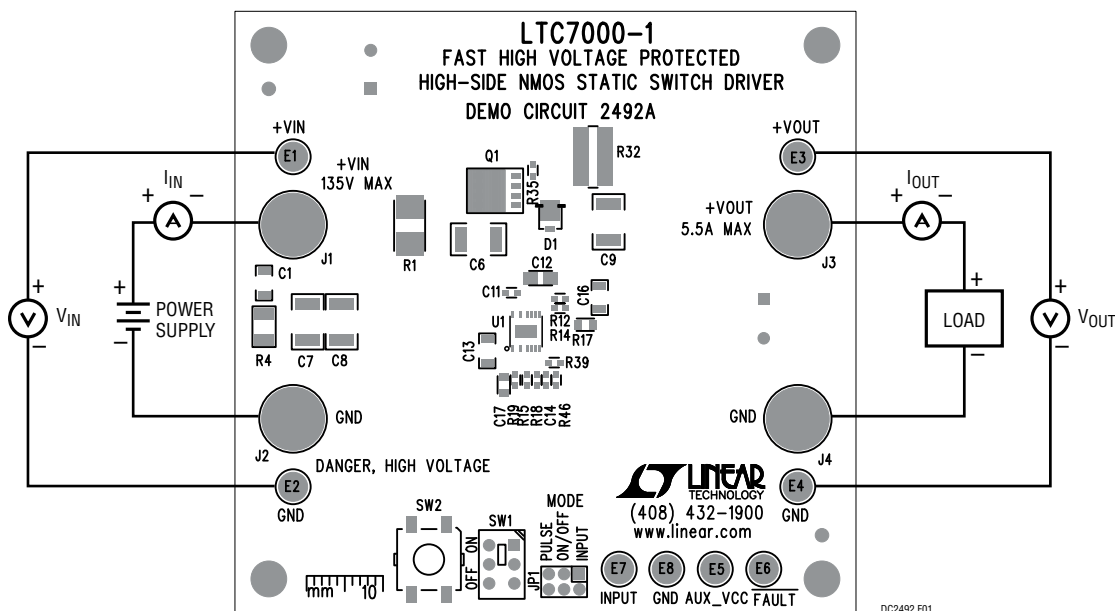


Figure 1. Proper Measurement Equipment Setup

QUICK START PROCEDURE

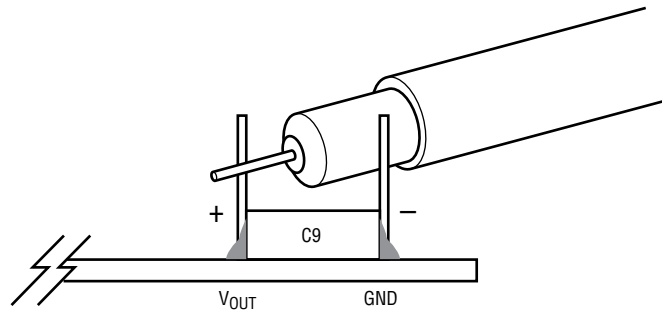


Figure 2. Measuring Output Voltage During Switching across $C9$. Note that $C9$ May Not Be Installed

TYPICAL PERFORMANCE CHARACTERISTICS

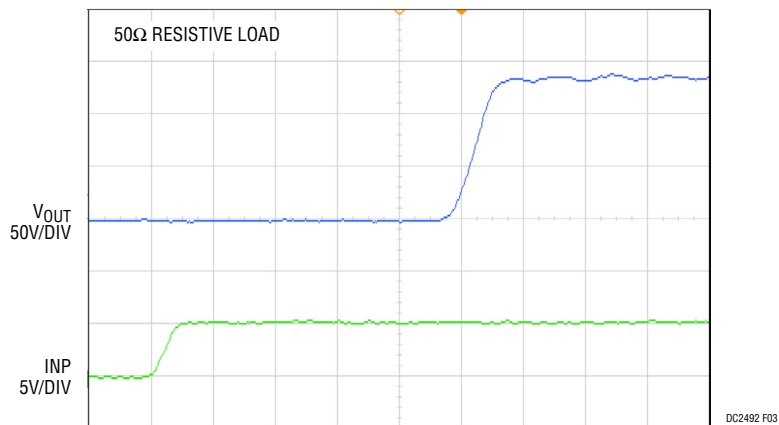


Figure 3. Rise Time into 50Ω Load ($V_{IN} = 135V$, $V_{INP} 5V/DIV$, $V_{OUT} 50V/DIV$, 10ns/DIV)

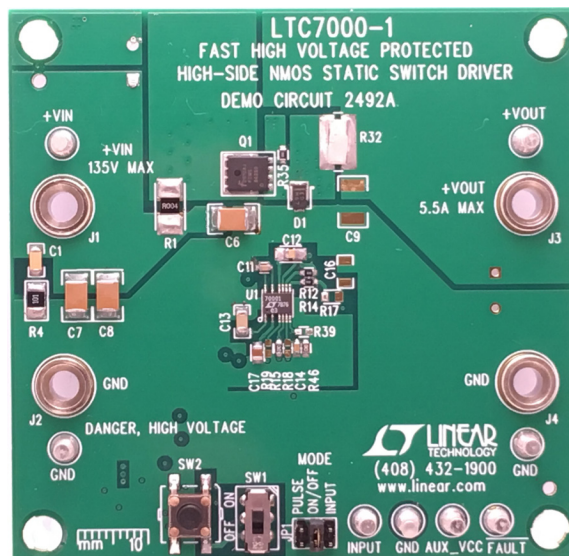


Figure 4. Board Photo

DEMO MANUAL DC2492A

PARTS LIST

ITEM	QTY	REFERENCE	PART DESCRIPTION	MANUFACTURER/PART NUMBER
Required Circuit Components				
1	5	C3, C4, C5, C7, C8	CAP, 1 μ F, X7T, 250V, 1812	TDK, C4532X7T2E105K250KA
2	2	C11, C14	CAP, 1000pF, X7R, 25V, 10%, 0603	MURATA, GRM188R71E102KA01D
3	1	C12	CAP, 0.1 μ F, X7R, 25V, 10%, 0805	AVX, 08053C104KAT2A
4	1	C13	CAP, 0.1 μ F, X7R, 200V, 10%, 1206	AVX, 12062C104KAT2A
5	1	C17	CAP, 1 μ F, X7R, 25V, 10%, 0805	AVX, 08053C105KAT2A
6	1	D1	DIODE, ES1PD, 200V, 1A, DO-220AA	VISHAY, ES1PD-M3/84A
7	1	Q1	MOSFET, N-CH, 150V, POWERPAK-SO-8	FAIRCHILD, FDMS86250
8	1	R1	RES., SENSE, 0.004 Ω , 1W, 2%, 2512	PANASONIC, ERJM1WTF4M0U
9	2	R7	RES., 100 Ω , 1/10W, 1%, 0603	VISHAY, CRCW0603100RFKEA
10	1	R35	RES., 10 Ω , 1/10W, 1%, 0603	VISHAY, CRCW060310R0FKEA
11	1	U1	IC, LTC7000EMSE-1, MSE-16L(12)	LINEAR TECH., LTC7000EMSE-1#PBF
Additional Demo Board Circuit Components				
1	1	C1	CAP, 10nF, X7R, 200V, 10%, 1206	AVX, 12062C103KAZ2A
2	1	C2	CAP, 22 μ F, ALUM, 160V, 20%, TH C-10X12.5	SUN ELECT, 160ME22HPC
3	0	C6, C9	CAP, OPTIONAL, 1812	OPTIONAL
4	0	C10	CAP, OPTIONAL, TH C-10X12	OPTIONAL
5	0	C16	CAP, OPTIONAL, 1206	OPTIONAL
6	2	C18, C19	CAP, 0.1 μ F, X7R, 25V, 10%, 0603	AVX, 06033C104KAT2A
7	0	C23	CAP, OPTIONAL, 0603	OPTIONAL
8	0	D2, D3, D4	DIODE, OPTIONAL, SOT23	OPTIONAL
9	1	D5	DIODE, MMSZ5V1T1, SOD-123	ON SEMICONDUCTOR, MMSZ5V1T1G
10	1	D6	DIODE, MMBD4148, SOT23	DIODES INC., MMBD4148-7-F
11	0	D7	DIODE OPTION, PDS4150, POWERDI5	OPTIONAL
12	0	D8	DIODE, OPTION, BAS21, SOT23	OPTIONAL
13	0	D9	DIODE., OPTION, CMMR1U, SOD-123F	OPTIONAL
14	0	Q2	MOSFET, N-CH, 80V, PSOF08A	FAIRCHILD, FDBL86361_F085
15	1	Q4	XSTR, PNP, 0.2A, MMBT3906, SOT23	FAIRCHILD, MMBT3906
16	1	Q5	MOSFET, P-CH, -200V, SOT23	DIODES INC., ZXMP2120FFTA
17	1	R2	RES., 0 Ω , 1/10W, 1%, 0805	VISHAY CRCW08050000Z0EA
18	1	R4	RES., 100 Ω , 1/2W, 5%, 1210	NIC, NRCP25J101TRF
19	7	R6, R12, R14, R22, R25, R45, R47	RES., 0 Ω , 1/10W, 0603	VISHAY, CRCW06030000Z0EA
20	0	R9, R17	RES., OPTIONAL, 0805	OPTIONAL
21	0	R13, R18, R19, R33, R34, R36, R39	RES., OPTIONAL, 0603	OPTIONAL
22	5	R15, R21, R37, R38, R46	RES., 100k, 1/10W, 1%, 0603	VISHAY, CRCW0603100KFKEA
23	1	R23	RES., 787 Ω , 1/10W, 1%, 0603	VISHAY, CRCW0603787RFKEA

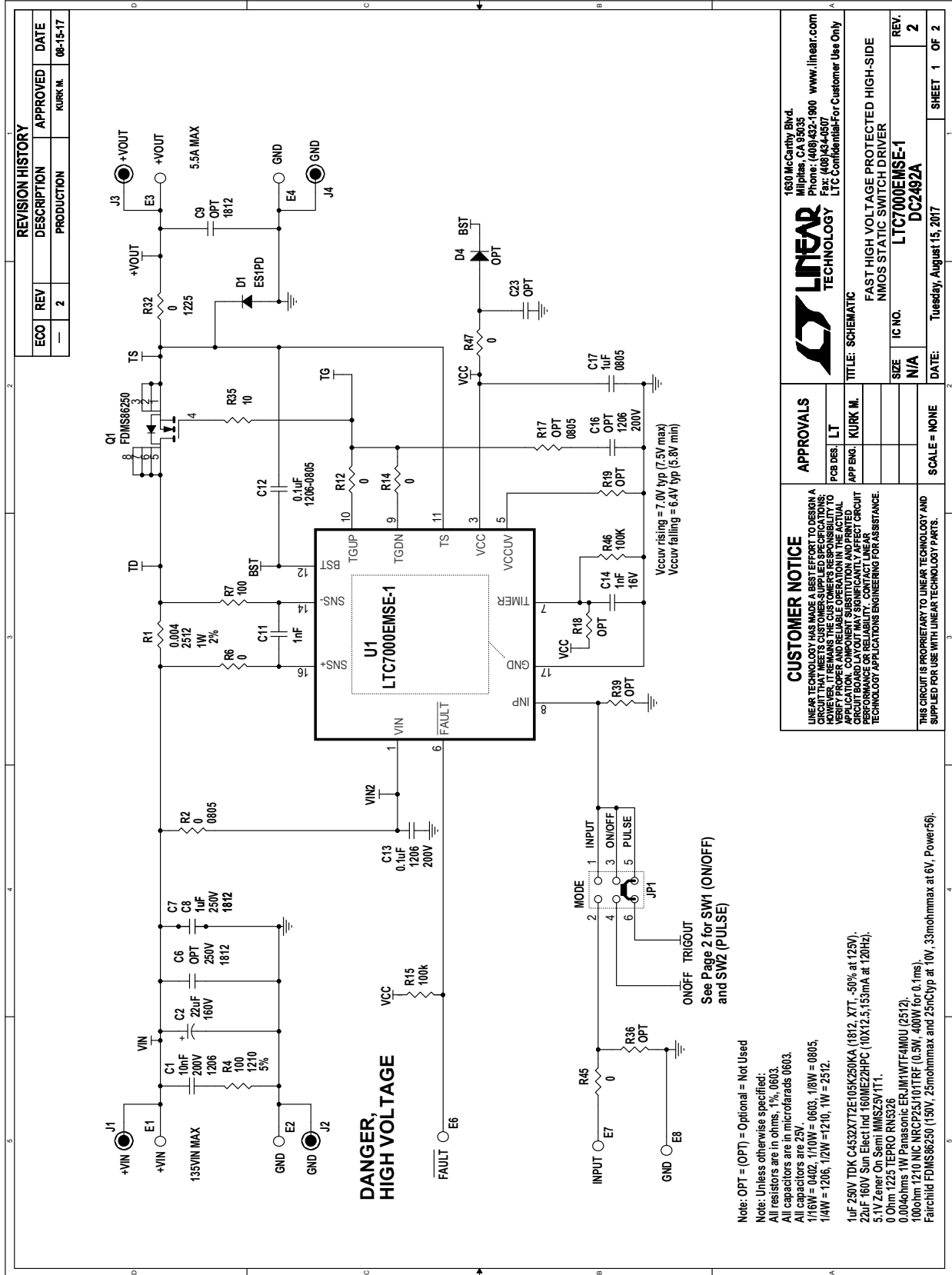
PARTS LIST

ITEM	QTY	REFERENCE	PART DESCRIPTION	MANUFACTURER/PART NUMBER
24	2	R27, R31	RES., 240k, 1/10W, 1%, 0805	VISHAY, CRCW0805240KFKEA
25	1	R28	RES., 976k, 1/10W, 1%, 0603	VISHAY, CRCW0603976KFKEA
26	1	R29	RES., 232k, 1/10W, 1%, 0603	VISHAY, CRCW0603232KFKEA
27	1	R30	RES., 182k, 1/10W, 1%, 0603	VISHAY, CRCW0603182KFKEA
28	1	R32	RES., SENSE, 0Ω, 1/2W, 1%, 1225	TEPRO, RN5326
29	1	SW1	SWITCH, SUB MINIATURE SLIDE	G&K COMPONENTS, JS202011CQN
30	1	SW2	SWITCH, MICRO MINIATURE PUSHBUTTON	TE CONNECTIVITY, FSM4JSMA
31	1	U2	IC, LTC6993CS6-3, TSOT23-6	LINEAR TECH., LTC6993CS6-3#PBF

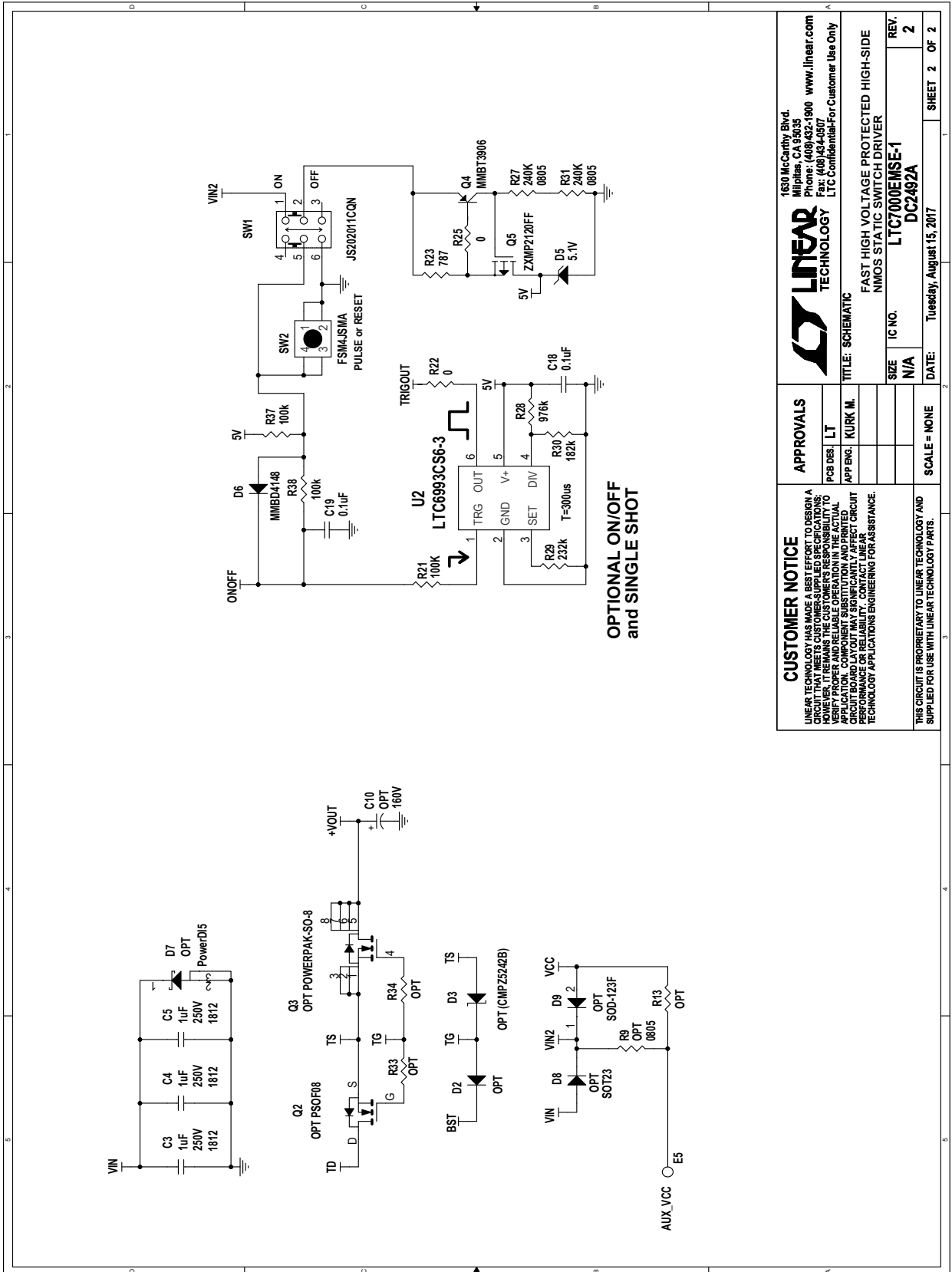
Hardware: For Demo Board Only

1	8	E1-E8	TESTPOINT, TURRET 0.094"	MILL MAX 2501-2-00-80-00-00-07-0
2	1	JP1	CONN., HEADER, 2X3, 2mm	WURTH ELEKTRONIK, 62000621121
3	4	J1, J2, J3, J4	CONN, BANANA JACK	KEYSTONE, 575-4
4	1	XJP1	SHUNT, 2mm	WURTH ELEKTRONIK, 60800213421
5	4	MH1, MH2, MH3, MH4	STAND-OFF, NYLON 0.559" tall	WURTH ELEKTRONIK, 702935500

SCHEMATIC DIAGRAM



SCHEMATIC DIAGRAM



CUSTOMER NOTICE LINEAR TECHNOLOGY HAS MADE A BEST EFFORT TO DESIGN A CIRCUIT THAT MEETS CUSTOMER-SUPPLIED SPECIFICATIONS. HOWEVER, THE CUSTOMER IS RESPONSIBLE FOR VERIFYING PROPER AND RELIABLE OPERATION IN THE ACTUAL APPLICATION. COMPONENT SUBSTITUTION AND PRINTED CIRCUIT BOARD LAYOUT MAY SIGNIFICANTLY AFFECT CIRCUIT PERFORMANCE. CUSTOMERS ARE ADVISED TO CONTACT LINEAR TECHNOLOGY APPLICATIONS ENGINEERING FOR ASSISTANCE.		APPROVALS PCB DES. LT APP. ENG. KURK M.		1630 McCarthy Blvd. Milpitas, CA 95035 Phone: (408)432-1900 www.linear.com Fax: (408)434-0507 LTC Confidential-For Customer Use Only	
TITLE: SCHEMATIC FAST HIGH VOLTAGE PROTECTED HIGH-SIDE NIMOS STATIC SWITCH DRIVER		SIZE N/A IC NO. LTC7000EMSE-1		REV. 2	
SCALE = NONE		DATE: Tuesday, August 15, 2017		SHEET 2 OF 2	

DEMO MANUAL DC2492A

DEMONSTRATION BOARD IMPORTANT NOTICE

Linear Technology Corporation (LTC) provides the enclosed product(s) under the following **AS IS** conditions:

This demonstration board (DEMO BOARD) kit being sold or provided by Linear Technology is intended for use for **ENGINEERING DEVELOPMENT OR EVALUATION PURPOSES ONLY** and is not provided by LTC for commercial use. As such, the DEMO BOARD herein may not be complete in terms of required design-, marketing-, and/or manufacturing-related protective considerations, including but not limited to product safety measures typically found in finished commercial goods. As a prototype, this product does not fall within the scope of the European Union directive on electromagnetic compatibility and therefore may or may not meet the technical requirements of the directive, or other regulations.

If this evaluation kit does not meet the specifications recited in the DEMO BOARD manual the kit may be returned within 30 days from the date of delivery for a full refund. **THE FOREGOING WARRANTY IS THE EXCLUSIVE WARRANTY MADE BY THE SELLER TO BUYER AND IS IN LIEU OF ALL OTHER WARRANTIES, EXPRESSED, IMPLIED, OR STATUTORY, INCLUDING ANY WARRANTY OF MERCHANTABILITY OR FITNESS FOR ANY PARTICULAR PURPOSE. EXCEPT TO THE EXTENT OF THIS INDEMNITY, NEITHER PARTY SHALL BE LIABLE TO THE OTHER FOR ANY INDIRECT, SPECIAL, INCIDENTAL, OR CONSEQUENTIAL DAMAGES.**

The user assumes all responsibility and liability for proper and safe handling of the goods. Further, the user releases LTC from all claims arising from the handling or use of the goods. Due to the open construction of the product, it is the user's responsibility to take any and all appropriate precautions with regard to electrostatic discharge. Also be aware that the products herein may not be regulatory compliant or agency certified (FCC, UL, CE, etc.).

No License is granted under any patent right or other intellectual property whatsoever. **LTC assumes no liability for applications assistance, customer product design, software performance, or infringement of patents or any other intellectual property rights of any kind.**

LTC currently services a variety of customers for products around the world, and therefore this transaction **is not exclusive**.

Please read the DEMO BOARD manual prior to handling the product. Persons handling this product must have electronics training and observe good laboratory practice standards. **Common sense is encouraged.**

This notice contains important safety information about temperatures and voltages. For further safety concerns, please contact a LTC application engineer.

Mailing Address:

Linear Technology
1630 McCarthy Blvd.
Milpitas, CA 95035

Copyright © 2004, Linear Technology Corporation

Компания «Океан Электроники» предлагает заключение долгосрочных отношений при поставках импортных электронных компонентов на взаимовыгодных условиях!

Наши преимущества:

- Поставка оригинальных импортных электронных компонентов напрямую с производств Америки, Европы и Азии, а так же с крупнейших складов мира;
- Широкая линейка поставок активных и пассивных импортных электронных компонентов (более 30 млн. наименований);
- Поставка сложных, дефицитных, либо снятых с производства позиций;
- Оперативные сроки поставки под заказ (от 5 рабочих дней);
- Экспресс доставка в любую точку России;
- Помощь Конструкторского Отдела и консультации квалифицированных инженеров;
- Техническая поддержка проекта, помощь в подборе аналогов, поставка прототипов;
- Поставка электронных компонентов под контролем ВП;
- Система менеджмента качества сертифицирована по Международному стандарту ISO 9001;
- При необходимости вся продукция военного и аэрокосмического назначения проходит испытания и сертификацию в лаборатории (по согласованию с заказчиком);
- Поставка специализированных компонентов военного и аэрокосмического уровня качества (Xilinx, Altera, Analog Devices, Intersil, Interpoint, Microsemi, Actel, Aeroflex, Peregrine, VPT, Syfer, Eurofarad, Texas Instruments, MS Kennedy, Miteq, Cobham, E2V, MA-COM, Hittite, Mini-Circuits, General Dynamics и др.);

Компания «Океан Электроники» является официальным дистрибьютором и эксклюзивным представителем в России одного из крупнейших производителей разъемов военного и аэрокосмического назначения «JONHON», а так же официальным дистрибьютором и эксклюзивным представителем в России производителя высокотехнологичных и надежных решений для передачи СВЧ сигналов «FORSTAR».



JONHON

«JONHON» (основан в 1970 г.)

Разъемы специального, военного и аэрокосмического назначения:

(Применяются в военной, авиационной, аэрокосмической, морской, железнодорожной, горно- и нефтедобывающей отраслях промышленности)

«FORSTAR» (основан в 1998 г.)

ВЧ соединители, коаксиальные кабели, кабельные сборки и микроволновые компоненты:

(Применяются в телекоммуникациях гражданского и специального назначения, в средствах связи, РЛС, а так же военной, авиационной и аэрокосмической отраслях промышленности).



Телефон: 8 (812) 309-75-97 (многоканальный)

Факс: 8 (812) 320-03-32

Электронная почта: ocean@oceanchips.ru

Web: <http://oceanchips.ru/>

Адрес: 198099, г. Санкт-Петербург, ул. Калинина, д. 2, корп. 4, лит. А