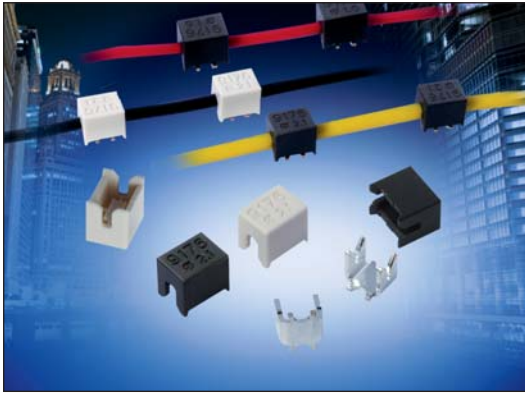


SSL - Discrete Wire IDC Contact & Cap

Series 9176-500



The 917X series of surface mount Insulation Displacement Connectors (IDC) were developed to meet the harsh automotive and industrial market applications for connecting individual wires directly to a PCB ranging from 14 AWG to 28 AWG. This industry proven contact system has been tested to automotive levels of shock, vibration, and temperature cycling to prove their reliability and robustness. This new single contact was developed as a standalone component to enhance the application uses with the IDC technology. The simplicity of inserting a wire into an SMT contact with a small tool or optional retention / termination cap allows a wide range of devices to be connected to the PCB without soldering. In SSL applications specifically, these contacts are used to bring power and signal onto the PCB or are used to daisy chain multiple boards together in a long string. While the IDC contact provides a gas-tight connection to conductor of the wire, the optional cap provides a positive strain relief even in the harshest conditions. In case of repair, the wires can be removed and replace up to three times.

The single 9176 series contact and cap accepts 18 AWG to 24 AWG wires with an insulation diameter ranging from 1.1mm to 2.1mm. These dual beam contacts support a 10 amp current rating with a large SMT solder base to provide maximum stability on the PCB. The optional locking strain relief cap acts as the termination tool for severe vibration applications.

APPLICATIONS

- Connecting discrete wire components directly to the PCB
- Bringing power and signals onto a PCB
- Daisy chaining PCB's together to create a continuous string of boards
- Application notes: refer to 201-01-124

FEATURES AND BENEFITS

- IDC contact is supplied in T&R pockets for standard SMT placement
- IDC contact provides a gas-tight connection to the PCB for long term reliability
- Optional termination cap provides additional strain relief for severe environments
- Tested to automotive levels on shock, vibration and temperature cycling for reliability
- Reduced total applied cost versus solder or crimp processes
- Individual contacts can be located anywhere on the PCB based on specific application

ELECTRICAL

- Current Rating: 10 Amps/Contact
- Voltage Rating: Dependant on component proximity

ENVIRONMENTAL

- Operating Temperature: -40°C to +125°C

MECHANICAL

- Insulator Material: Nylon 46: UL94V0
- Contact Material: Phosphor Bronze
- Plating: Tin over Nickel
- Durability: 3 Cycles

HOW TO ORDER – CONTACT OPTIONS

| 70 | 9176 | 001 | 5XX | 006 | | | | | | | | | | | | | | | | |
|--------------|---------------------|---|-----------------|------------------------|---------|-----|---|---------|---|------|---------------------|-----|-------------------|-----|-------------------|-----|-------------------|-----|-------------------|--|
| Prefix | Series | Number of Ways | Wire Gauge Size | Plating Option | | | | | | | | | | | | | | | | |
| 70 = Contact | | | | 06 = Pure Tin all over | | | | | | | | | | | | | | | | |
| | | <table border="1"> <thead> <tr> <th>Code</th> <th>No of Ways</th> <th>Details</th> </tr> </thead> <tbody> <tr> <td>001</td> <td>1</td> <td>Page 58</td> </tr> </tbody> </table> | Code | No of Ways | Details | 001 | 1 | Page 58 | <table border="1"> <thead> <tr> <th>Code</th> <th>Accepted Wire Gauge</th> </tr> </thead> <tbody> <tr> <td>501</td> <td>18 Gauge Stranded</td> </tr> <tr> <td>511</td> <td>20 Gauge Stranded</td> </tr> <tr> <td>522</td> <td>22 Gauge Stranded</td> </tr> <tr> <td>532</td> <td>24 Gauge Stranded</td> </tr> </tbody> </table> | Code | Accepted Wire Gauge | 501 | 18 Gauge Stranded | 511 | 20 Gauge Stranded | 522 | 22 Gauge Stranded | 532 | 24 Gauge Stranded | |
| Code | No of Ways | Details | | | | | | | | | | | | | | | | | | |
| 001 | 1 | Page 58 | | | | | | | | | | | | | | | | | | |
| Code | Accepted Wire Gauge | | | | | | | | | | | | | | | | | | | |
| 501 | 18 Gauge Stranded | | | | | | | | | | | | | | | | | | | |
| 511 | 20 Gauge Stranded | | | | | | | | | | | | | | | | | | | |
| 522 | 22 Gauge Stranded | | | | | | | | | | | | | | | | | | | |
| 532 | 24 Gauge Stranded | | | | | | | | | | | | | | | | | | | |

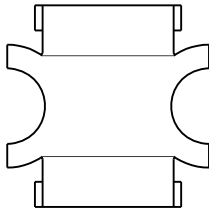
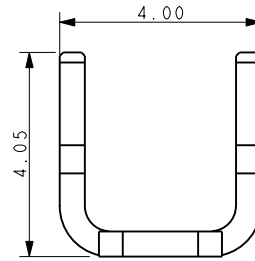
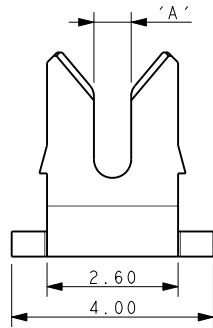
HOW TO ORDER – CAP OPTIONS

| 60 | 9176 | 001 | 5XX | X00 | | | | | | | | | | | | | | | | | | | | | |
|-----------|-----------------------|---|-----------------|-----------------|---------|-----|---|---------|---|------|-----------------------|-----|-----------------|-----|-----------------|--|------|-------|-------------|---|-------|------------|---|-------|----------|
| Prefix | Series | Number of Ways | Wire Gauge Size | Insulator Color | | | | | | | | | | | | | | | | | | | | | |
| 60 = Cap | | | | | | | | | | | | | | | | | | | | | | | | | |
| | | <table border="1"> <thead> <tr> <th>Code</th> <th>No of Ways</th> <th>Details</th> </tr> </thead> <tbody> <tr> <td>001</td> <td>1</td> <td>Page 60</td> </tr> </tbody> </table> | Code | No of Ways | Details | 001 | 1 | Page 60 | <table border="1"> <thead> <tr> <th>Code</th> <th>Wire Insulation (AWG)</th> </tr> </thead> <tbody> <tr> <td>516</td> <td>1.1-1.6 (22-24)</td> </tr> <tr> <td>521</td> <td>1.6-2.1 (18-20)</td> </tr> </tbody> </table> | Code | Wire Insulation (AWG) | 516 | 1.1-1.6 (22-24) | 521 | 1.6-2.1 (18-20) | <table border="1"> <thead> <tr> <th>Code</th> <th>Color</th> <th>Application</th> </tr> </thead> <tbody> <tr> <td>0</td> <td>Black</td> <td>Industrial</td> </tr> <tr> <td>1</td> <td>White</td> <td>Lighting</td> </tr> </tbody> </table> | Code | Color | Application | 0 | Black | Industrial | 1 | White | Lighting |
| Code | No of Ways | Details | | | | | | | | | | | | | | | | | | | | | | | |
| 001 | 1 | Page 60 | | | | | | | | | | | | | | | | | | | | | | | |
| Code | Wire Insulation (AWG) | | | | | | | | | | | | | | | | | | | | | | | | |
| 516 | 1.1-1.6 (22-24) | | | | | | | | | | | | | | | | | | | | | | | | |
| 521 | 1.6-2.1 (18-20) | | | | | | | | | | | | | | | | | | | | | | | | |
| Code | Color | Application | | | | | | | | | | | | | | | | | | | | | | | |
| 0 | Black | Industrial | | | | | | | | | | | | | | | | | | | | | | | |
| 1 | White | Lighting | | | | | | | | | | | | | | | | | | | | | | | |

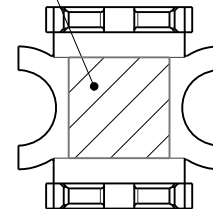
SSL - Discrete Wire IDC Contact & Cap

Series 9176-500

CONTACT DETAILS



AREA AVAILABLE FOR PICK & PLACE 2.00mm SQUARE

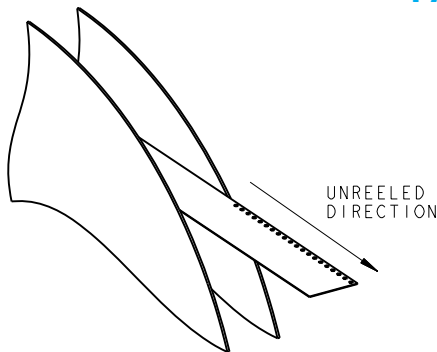


| Code | Accepted Wire Gauge | A |
|------|---------------------|------|
| 501 | 18 Gauge Stranded | 0.72 |
| 511 | 20 Gauge Stranded | 0.60 |
| 522 | 22 Gauge Stranded | 0.47 |
| 532 | 24 Gauge Stranded | 0.37 |

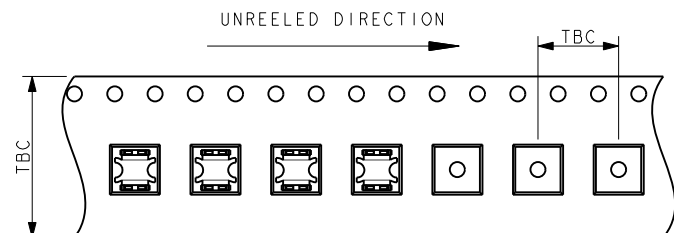
NOTES:

- CONNECTOR FOR IDC WIRE TO BOARD CONNECTION.
- CONTACT MATERIAL: PHOSPHORE BRONZE.
- CONTACT PLATING: PURE TIN.
- CONNECTOR DESIGNED TO ACCEPT BETWEEN 18 AND 24 GAUGE STRANDED WIRE. SEE TABLE.
- ALL DIMENSIONS FOR REFERENCE UNLESS OTHERWISE STATED.
- FOR FULL PRODUCT SPECIFICATION REFER TO ELCO SPEC 201-01-106 AND APPLICATION NOTES 201-01-124.
- SMT PCB LAYOUT, REFER TO PAGE 58.
- PACKING IN TAPE AND REEL, QUANTITY 1000 PER REEL.
- WHEN REQUIRED, MATCHING CAP DETAILS ON DRAWING 60-9176-001-5XX-X00S.
- ASSEMBLY TOOLING ON PAGE 59 (WITH CAP AND WITHOUT CAP).

PACKING DETAILS



| | |
|----------|-------|
| REEL QTY | 1000 |
| LEADER | 480MM |
| TRAILER | 120MM |



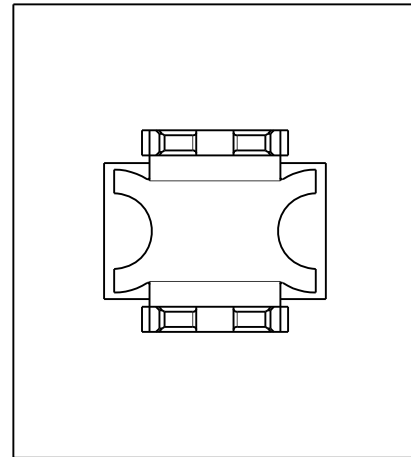
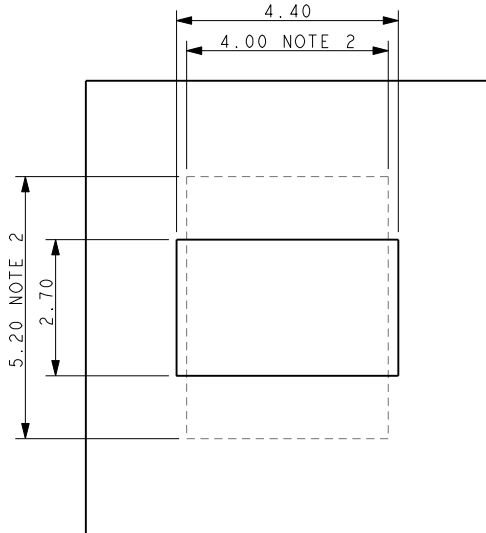
SSL - Discrete Wire IDC Contact & Cap

Series 9176-500

18-24 AWG IDC WIRE TO BOARD CONNECTOR SINGLE CONTACT

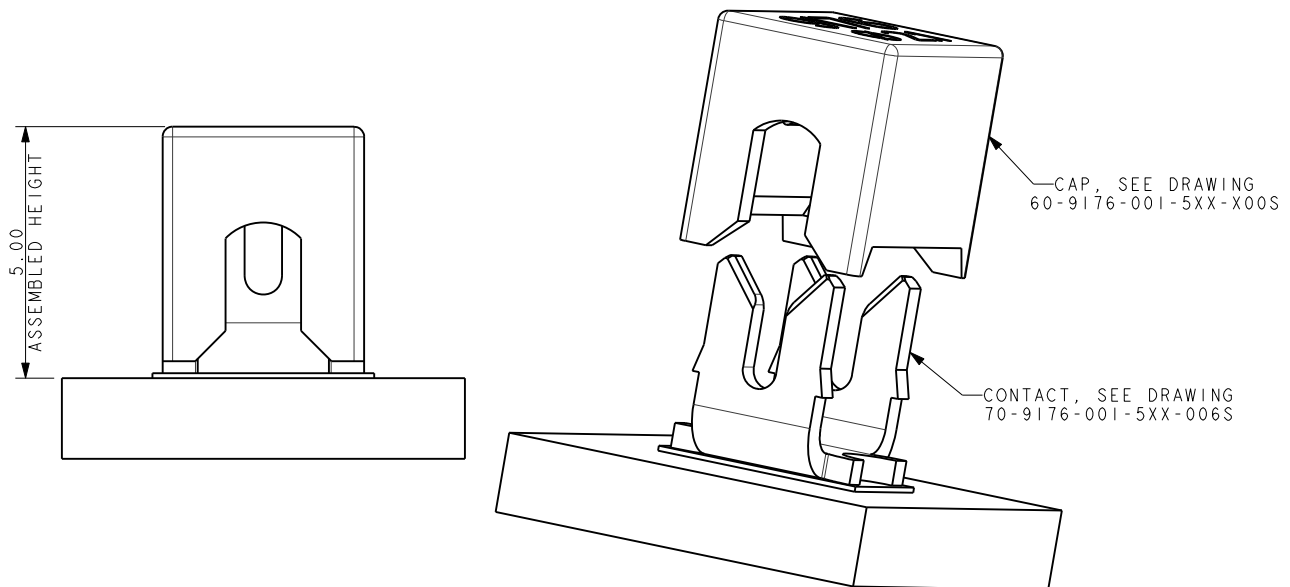
SMT PCB LAYOUT

PURE TIN PADS



ORIENTATION OF CONTACT ON PAD

ASSEMBLED/INSTALLED PRODUCTS



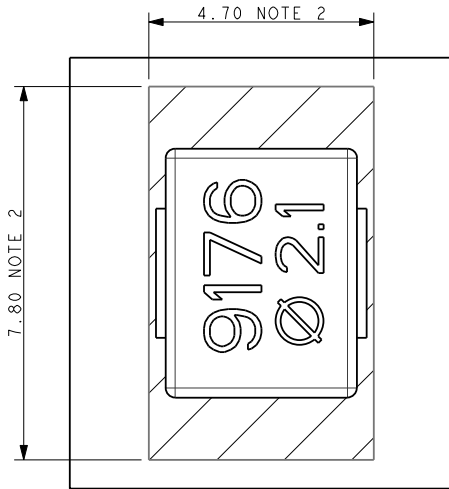
NOTES:

1. CONNECTOR CAN BE USED WITH CONTACT ONLY OR WITH OPTIONAL CAP.
2. OUTLINE OF CAP WHEN USED.
3. FOR FULL PRODUCT SPECIFICATION REFER TO ELCO SPEC 201-01-106 AND 201-01-124.
4. DIMENSIONS SHOWN ARE REFERENCED DIMENSIONS.
5. ASSEMBLY TOOLING ON PAGE 59 (WITH CAP AND WITHOUT CAP).

SSL - Discrete Wire IDC Contact & Cap

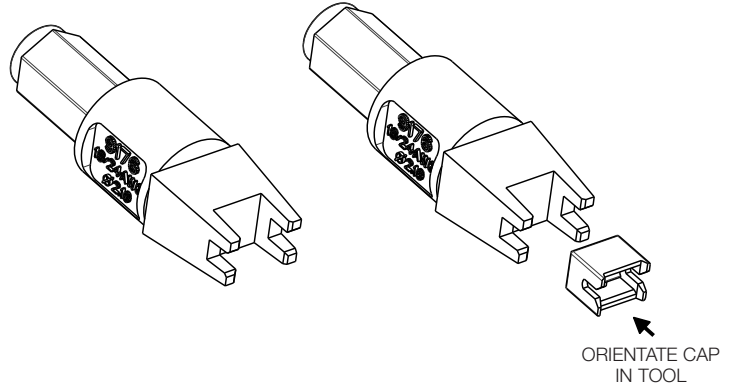
Series 9176-500

ASSEMBLY TOOLING – CAP USED



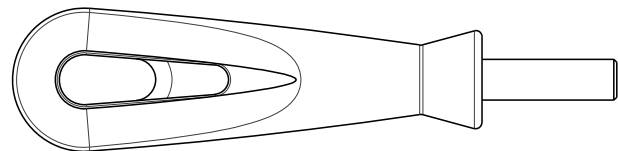
CAP APPLICATION TOOL

06-9176-7018-01-000



UNIVERSAL HANDLE

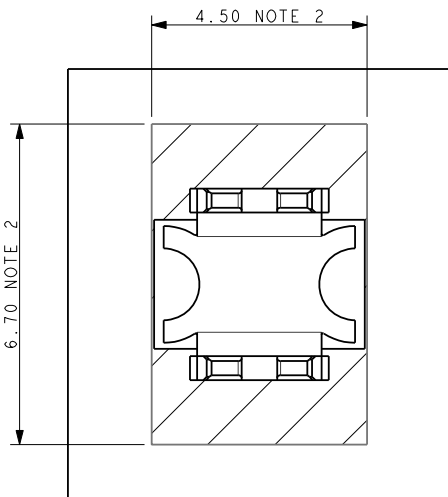
06 7000 7730 01 000



NOTES:

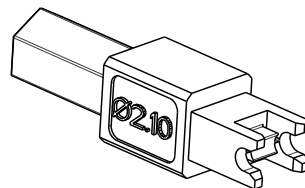
1. ASSEMBLY TOOLING FOR CAP.
2. AREA OF PCB TO BE KEPT CLEAR OF COMPONENTS, TACKS PERMISSIBLE.
3. WIRE AND CAP INSERTED IN ONE OPERATION.
4. REFER TO APPLICATION NOTE 201-01-124 FOR FURTHER INFORMATION.
5. REFER BELOW WHEN CONTACT USED WITHOUT CAP.

ASSEMBLY TOOLING – CAP NOT USED WIRE ONTO CONTACT



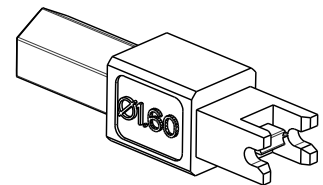
2.1 WIRE (18-20 AWG)

06-9176-7019-01-000
06-9176-7020-01-000



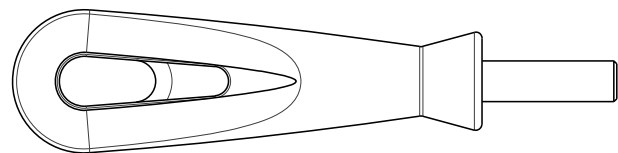
1.6 WIRE (22-24 AWG)

06-9176-7019-02-000
06-9176-7020-02-000



UNIVERSAL HANDLE

06 7000 7730 01 000



NOTES:

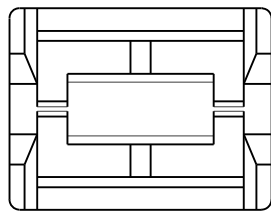
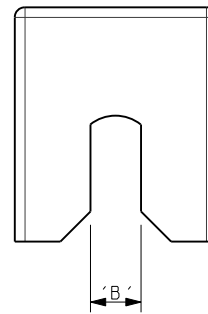
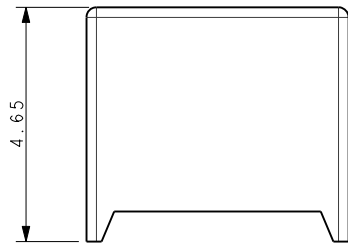
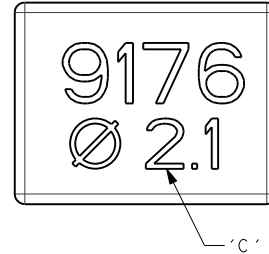
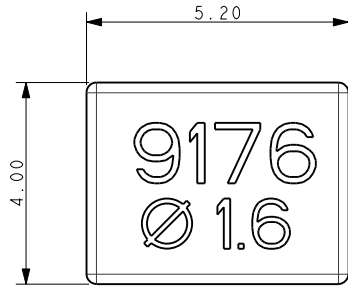
1. ASSEMBLY TOOLING FOR CONTACT ONLY, NO CAP USED.
2. MINIMUM AREA OF PCB TO BE KEPT CLEAR OF COMPONENTS, TRACK PERMISSIBLE.
3. REFER TO TABLE FOR CORRECT TOOL/WIRE COMBINATION.
4. REFER TO APPLICATION NOTE 201-01-124 FOR FURTHER INFORMATION.

| Wire Gauge | Wire Insulation ϕ | Metal Tool High Volume | Plastic Tool Small to Medium Volume | Handle |
|------------|------------------------|---------------------------|--|---------------------|
| 22-24 AWG | 1.10 to 1.60 | 06-9176-7019-02-000 | 06-9176-7020-02-000 | 06-7000-7730-01-000 |
| 18-20 AWG | 1.60 to 2.10 | 06-9176-7019-01-000 | 06-9176-7020-01-000 | 06-7000-7730-01-000 |

SSL - Discrete Wire IDC Contact & Cap

Series 9176-500

CAP DETAILS



| Code | Insulator Diameter (AWG) | B | Text C |
|------|--------------------------|------|--------|
| 516 | 1.1 to 1.6 (22-24) | 1.00 | Ø 1.6 |
| 521 | 1.6 to 2.1 (18-20) | 1.50 | Ø 2.1 |

NOTES:

1. CAP FOR IDC WIRE TO BOARD CONNECTION.
2. CAP MATERIAL: GLASS FILLED NYLON 46, COLOR SEE PAGE 56.
3. CAPS DESIGNED TO ACCOMMODATE WIRE INSULATION DIAMETERS 1.1MM TO 2.1MM.
4. ALL DIMENSIONS FOR REFERENCE UNLESS OTHERWISE STATED.
5. FOR FULL PRODUCT SPECIFICATION REFER TO ELCO SPEC 201-01-106, APPLICATION NOTES 201-01-124.
6. PACKING IN BAGS, QUANTITY 1000 PER BAG.
7. FOR INSTALATION DETAILS REFER TO DRAWING 70-9176-001-XX-006S.

Компания «Океан Электроники» предлагает заключение долгосрочных отношений при поставках импортных электронных компонентов на взаимовыгодных условиях!

Наши преимущества:

- Поставка оригинальных импортных электронных компонентов напрямую с производств Америки, Европы и Азии, а так же с крупнейших складов мира;
- Широкая линейка поставок активных и пассивных импортных электронных компонентов (более 30 млн. наименований);
- Поставка сложных, дефицитных, либо снятых с производства позиций;
- Оперативные сроки поставки под заказ (от 5 рабочих дней);
- Экспресс доставка в любую точку России;
- Помощь Конструкторского Отдела и консультации квалифицированных инженеров;
- Техническая поддержка проекта, помощь в подборе аналогов, поставка прототипов;
- Поставка электронных компонентов под контролем ВП;
- Система менеджмента качества сертифицирована по Международному стандарту ISO 9001;
- При необходимости вся продукция военного и аэрокосмического назначения проходит испытания и сертификацию в лаборатории (по согласованию с заказчиком);
- Поставка специализированных компонентов военного и аэрокосмического уровня качества (Xilinx, Altera, Analog Devices, Intersil, Interpoint, Microsemi, Actel, Aeroflex, Peregrine, VPT, Syfer, Eurofarad, Texas Instruments, MS Kennedy, Miteq, Cobham, E2V, MA-COM, Hittite, Mini-Circuits, General Dynamics и др.);

Компания «Океан Электроники» является официальным дистрибьютором и эксклюзивным представителем в России одного из крупнейших производителей разъемов военного и аэрокосмического назначения «JONHON», а так же официальным дистрибьютором и эксклюзивным представителем в России производителя высокотехнологичных и надежных решений для передачи СВЧ сигналов «FORSTAR».



JONHON

«JONHON» (основан в 1970 г.)

Разъемы специального, военного и аэрокосмического назначения:

(Применяются в военной, авиационной, аэрокосмической, морской, железнодорожной, горно- и нефтедобывающей отраслях промышленности)

«FORSTAR» (основан в 1998 г.)

ВЧ соединители, коаксиальные кабели, кабельные сборки и микроволновые компоненты:

(Применяются в телекоммуникациях гражданского и специального назначения, в средствах связи, РЛС, а так же военной, авиационной и аэрокосмической отраслях промышленности).



Телефон: 8 (812) 309-75-97 (многоканальный)

Факс: 8 (812) 320-03-32

Электронная почта: ocean@oceanchips.ru

Web: <http://oceanchips.ru/>

Адрес: 198099, г. Санкт-Петербург, ул. Калинина, д. 2, корп. 4, лит. А