

# C-Series

## CIRCUIT BREAKER

The C-Series hydraulic-magnetic circuit breakers are ideal for applications that require higher amperage and voltage handling capability in a smaller package. They are available in 1-6 poles, 0.02-100amps, UL Recognized up to 480VAC or 150VDC, UL489 Listed up to 240VAC or 125VDC, with choice of time delays, terminal options, actuator styles and colors. The C-Series employs a unique arc chute design which allows for higher interrupting capacities of up to 10,000 amps. New thermoset glass filled polyester half shell construction provides for increased mechanical and electrical strength. The wiping contacts, mechanical linkage with two step actuation, clean contacts providing high, positive contact pressure and longer contact life. Available with American Standard or Metric Threaded Stud terminals, or Saddle Clamp screw terminals. The optional mid-trip handle style actuator allows a visual indication of electrical overload with or without alarm feature.



Eco-Friendly

### Resources:

Download 3D CAD Files

[IGS >](#)

[STP >](#)

### Product Highlights:

- ◆ Extensive list of Agency Approvals
- ◆ Available with Standard or Metric Stud terminals, or Saddle Clamp screw terminals
- ◆ Optional mid-trip handle style actuator
- ◆ Unique arc chute design which allows for higher interrupting capacities of up to 10,000 amps
- ◆ Exclusive Rockerguard and Push-To-Reset bezel
- ◆ Available with new solid color and two-color Visi-rocker® actuators
- ◆ New thermoset glass filled polyester half shell construction

### Typical Applications:

- ◆ Marine
- ◆ Telecom/Datacom
- ◆ Military
- ◆ Renewable Energy
- ◆ Generators & Welders



**Carling Technologies™**

Innovative Designs. Powerful Solutions.

**Carling Technologies, Inc.**

60 Johnson Avenue, Plainville, CT 06062

Email: [sales@carlingtech.com](mailto:sales@carlingtech.com)

Application Support: [team2@carlingtech.com](mailto:team2@carlingtech.com)

Phone: 860.793.9281 Fax: 860.793.9231

[www.carlingtech.com](http://www.carlingtech.com)

## Electrical Tables

**Table A:** Lists UL Recognized & CSA Accepted configurations and performance capabilities as a Component Supplementary Protector

C-SERIES TABLE A: COMPONENT SUPPLEMENTARY PROTECTORS											
CIRCUIT CONFIGURATION	VOLTAGE			CURRENT RATING		SHORT CIRCUIT CAPACITY (AMPS)		APPLICATION CODES		NOTES	
	MAX. RATING	FREQUENCY	PHASE	FULL LOAD AMPS	GENERAL PURPOSE AMPS	WITH BACKUP FUSE 1	WITHOUT BACKUP FUSE	UL	CSA		
SERIES	32	DC	---	0.02 - 100	---	---	5000	TC1, OL1, U2	TC1, OL1, U2		
	48	DC	---	110 - 150	---	---	5000	TC1, OL1, U2	TC1, OL1, U2		
	65	DC	---	0.02 - 70	---	---	5000	TC1,2, OL1,U1	TC1,2, OL1,U1		
	80	DC	---	---	71 - 100	---	---	5000	TC1,2, OL0,U1	TC1,2, OL0,U1	
				0.02 - 70	---	---	7500	TC1,2, OL1,U1	TC1,2, OL1,U1		
	80	DC	---	---	71 - 100	---	---	7500	TC1,2, OL0,U1	TC1,2, OL0,U1	
				0.02 - 70	---	---	10,000	TC1,2, OL1,U1	TC1,2, OL1,U1	Must Have Agency Code "L"	
	125	DC	---	---	71 - 100	---	---	10,000	TC1,2, OL0,U1	TC1,2, OL0,U1	Must Have Agency Code "L"
				0.02 - 50	---	---	5000	TC1,2,OL1,U1	TC1,2,OL1,U1	Must Have Agency Code "L"	
	125 / 250	DC	---	0.02 - 50	---	---	---	5000	TC1,2,OL1,U1	TC1,2,OL1,U1	Must Have Agency Code "L"
	250	DC	---	0.02 - 50	---	---	---	5000	TC1,2,OL1,U1	TC1,2,OL1,U1	Must Have Agency Code "L". 2 Pole Break Required for 250 Volts
	125	50 / 60	1	0.02 - 100	---	---	---	3000	TC1, OL1, U2	TC1, OL1, U2	Per Pole Rating
				0.02 - 100	---	---	5000	TC1,2,OL1,U1	TC1,2,OL1,U1	Must Have Agency Code "L"	
	150	DC	---	---	80 - 100	---	---	5000	TC1, OL0, U3	---	Must Have Agency Code "L"
	150	DC	---	---	101 - 175	---	---	5000	TC1, OL0, U3	---	Must Have Agency Code "L" Parallel Pole
	125 / 250	50 / 60	1	0.02 - 100	---	---	---	3500	TC1, OL1, U2	TC1, OL1, U2	
				0.02 - 50	---	---	---	3000	TC1,2,OL1,U1	TC1,2,OL1,U1	2 or 3 poles breaking single phase
				51 - 100	---	---	---	1000	TC1,2,OL1,U1	TC1,2,OL1,U1	2 or 3 poles breaking single phase
				0.02 - 100	---	---	---	5000	TC1,2,OL1,U2	TC1,2,OL1,U2	2 or 3 poles breaking single phase. "L" Agency Code
				0.02 - 50	---	---	---	3500	TC1, OL1, U2	TC1, OL1, U2	Per Pole Rating
				0.02 - 100	---	---	---	5000	TC1,2,OL1,U1	TC1,2,OL1,U1	Must Have Agency Code "L"
	250	50 / 60	1	51 - 70	---	---	---	5000	TC1,2,OL1,C1	TC1,2,OL1,C1	
				---	0.02 - 100	---	---	3000	TC1, OL0, U2	TC1, OL0, U2	
				0.02 - 70	---	---	5000	TC1,2,OL1,C1	TC1,2,OL1,C1	3 poles breaking 3 phase	
	277	50 / 60	1	---	0.02 - 90	---	---	5000	TC1,2,OL0,U1	TC1,2,OL0,U1	Must Have Agency Code "L"
				0.02 - 50	---	---	5000	TC1,2,OL1,C1	TC1,2,OL1,C1		
	480 / 277	50 / 60	3	0.02 - 30	---	---	---	5000	TC1,2,OL1,C1	TC1,2,OL1,C1	3 poles breaking 3 phase
---				31 - 50	---	---	5000	TC1,2,OL0,C1	TC1,2,OL0,C1		
480	50 / 60	1	0.02 - 30	---	---	---	5000	TC1,2,OL1,C1	TC1,2,OL1,C1	2 poles breaking 1 phase	
80	DC	---	---	31 - 50	---	---	5000	TC1,2,OL0,C1	TC1,2,OL0,C1		
			0.02 - 50	---	---	7500	TC1,2, OL1,U1	TC1,2, OL1,U1			
DUAL COIL	125	50 / 60	1	0.02 - 50	---	---	3000	TC1, OL1, U2	TC1, OL1, U2	Per Pole Rating	
	125 / 250	50 / 60	1	0.02 - 50	---	---	3500	TC1, OL1, U2	TC1, OL1, U2	2 or 3 poles breaking single phase	
				0.02 - 50	---	---	3000	TC1,2,OL1,U1	TC1,2,OL1,U1	2 or 3 poles breaking single phase	
	250	50 / 60	1	0.02 - 50	---	---	---	3500	TC1, OL1, U2	TC1, OL1, U2	
				0.02 - 50	---	---	3000	TC1, OL0, U2	TC1, OL0, U2	Per Pole Rating	
277	50 / 60	1	0.02 - 50	---	---	5000	TC1,2,OL1,C1	TC1,2,OL1,C1			
SHUNT	80	DC	---	0.02 - 50	---	---	7500	TC1,2, OL1,U1	TC1,2, OL1,U1		
	277	50 / 60	1	0.02 - 50	---	---	5000	TC1,2,OL1,C1	TC1,2,OL1,C1		
	250	50 / 60	3	0.02 - 50	---	---	---	5000	TC1,2,OL1,C1	TC1,2,OL1,C1	3 poles breaking 3 phase
				0.02 - 30	---	---	5000	TC1,2,OL1,C1	TC1,2,OL1,C1	3 poles breaking 3 phase	
	480 / 277	50 / 60	3	---	31 - 50	---	---	5000	TC1,2,OL0,C1	TC1,2,OL0,C1	
480	50 / 60	1	0.02 - 30	---	---	---	5000	TC1,2,OL1,C1	TC1,2,OL1,C1	2 poles breaking 1 phase	
RELAY	80	DC	---	0.02 - 50	---	---	7500	TC1,2, OL1,U1	TC1,2, OL1,U1		
	277	50 / 60	1	0.02 - 50	---	---	5000	TC1,2,OL1,C1	TC1,2,OL1,C1		
	250	50 / 60	3	0.02 - 50	---	---	5000	TC1,2,OL1,C1	TC1,2,OL1,C1	3 poles breaking 3 phase	
SWITCH ONLY	65	DC	---	0.02 - 70	---	---	---	---	---		
	80	DC	---	---	71 - 100	---	---	---	---		
				0.02 - 70	---	---	---	---	---		
	125	50 / 60	1	---	71 - 100	---	---	---	---		
				0.02 - 100	---	---	---	---	---		
	125 / 250	50 / 60	1	0.02 - 100	---	---	---	---	---	2 or 3 poles breaking single phase	
				0.02 - 100	---	---	---	---	---		
250	50 / 60	3	0.02 - 70	---	---	---	---	---			
			0.02 - 30	---	---	---	---	---			
480 / 277	50 / 60	3	---	31 - 50	---	---	---	---	3 poles breaking 3 phase		

Notes for Table A:

- 1 Requires branch circuit backup with a UL LISTED Type K5 or RK5 fuse rated 15A minimum and no more than 4 times full load amps not to exceed 125A for 50 Amp or less rating and not to exceed 175 for 51 through 100 Amp rating

\*Manufacturer reserves the right to change product specification without prior notice.

## Electrical Tables

**Table B:** Lists UL Recognized and CSA Accepted configurations and performance capabilities as a Manual Motor Controller.

C-SERIES TABLE B: MANUAL MOTOR CONTROLLERS					
CIRCUIT CONFIGURATION	VOLTAGE			CURRENT RATING	HORSEPOWER RATINGS
	MAX. RATING	FREQUENCY	PHASE	FULL LOAD AMPS	MAX HP
SERIES, SHUNT & RELAY SWITCH ONLY	120 <sup>1</sup>	50 / 60	1	0.02 - 50	7 1/2
	250 <sup>1</sup>	50 / 60	1	0.02 - 20	3
			3	0.02 - 20	5
	277 <sup>1</sup>	50 / 60	1	0.02 - 20	3
480 <sup>2</sup>	50 / 60	3	0.02 - 20	5	

Notes for Table B:

1 UL recognized and CSA Accepted at 480V refers to 3 & 4 pole versions used in a 3Ø, wye connected circuit or 2-pole version connected with 2 poles breaking. 1Ø and backed up with series fusing as stated above in note 1.

\*Series, Shunt and Relay Trip - Voltage Coil Construction not current coils

**Table C:** Lists UL Recognized, CSA Accepted, VDE and TUV Certified configurations and performance capabilities as a Component Supplementary Protector.

C-SERIES TABLE C: COMPONENT SUPPLEMENTARY PROTECTORS														
CIRCUIT CONFIGURATION	VOLTAGE			CURRENT RATING		SHORT CIRCUIT CAPACITY (AMPS)				APPLICATION CODES		CONSTRUCTION NOTES		
	MAX. RATING	FREQUENCY	PHASE	FULL LOAD AMPS	GENERAL PURPOSE AMPS <sup>1</sup>	UL/CSA		VDE		TUV			UL	CSA
						WITH BACKUP FUSE	WITHOUT BACKUP FUSE	(Inc) WITH BACKUP FUSE	(Icn) WITHOUT BACKUP FUSE	(Inc) WITH BACKUP FUSE	(Icn) WITHOUT BACKUP FUSE			
SERIES	80	DC	---	0.10 - 70	---	---	7500	---	5000	5000	1500	TC1.2, OL1,U1	TC1.2, OL1,U1	Agency Code F, H, J or R Only
			---	71 - 100	71 - 100	---	10,000	---	5000	---	5000	TC1.2, OL0,U1	TC1.2, OL0,U1	
	125	DC	---	1 - 50	---	---	5000	---	---	---	5000	TC1.2, OL1,U1	TC1.2, OL1,U1	Agency Code J or R Only
			---	0.10 - 50	---	---	5000	---	---	---	5000	TC1.2, OL1,U1	TC1.2, OL1,U1	
	250	50 / 60	1	0.10 - 70	---	---	5000	3000	1500	3000	1500	TC1.2, OL1,U1	TC1.2, OL1,U1	Agency Code J or R Only
				0.10 - 100	---	---	5000	---	---	5000	5000	TC1.2, OL1,U1	TC1.2, OL1,U1	
				0.10 - 90	---	---	5000	---	---	5000	5000	TC1.2, OL1,U1	TC1.2, OL1,U1	
	415	50 / 60	3	0.10 - 30	---	---	5000	---	3000	1500	3000	1500	TC1.2, OL1,C1	TC1.2, OL1,C1
---				---	---	5000	---	5000	2500	3000	1500	TC1.2, OL1,C1	TC1.2, OL1,C1	Handle/ Agency F, H, J, or R
DUAL COIL	80	DC	---	0.10 - 30	---	---	7500	---	1500	5000	1500	TC1.2, OL1,U1	TC1.2, OL1,U1	
	250	50 / 60	1 & 3	0.10 - 30	---	---	5000	3000	1500	3000	1500	TC1.2, OL1,U1	TC1.2, OL1,U1	
SHUNT	80	DC	---	0.10 - 70	---	---	7500	---	5000	5000	1500	TC1.2, OL1,U1	TC1.2, OL1,U1	
	250	50 / 60	1 & 3	0.10 - 70	---	---	5000	3000	1500	3000	1500	TC1.2, OL1,U1	TC1.2, OL1,U1	
				---	---	---	5000	---	---	5000	5000	TC1.2, OL1,C1	TC1.2, OL1,C1	Rocker
	415	50 / 60	3	0.10 - 30	---	---	5000	---	3000	1500	3000	1500	TC1.2, OL1,C1	TC1.2, OL1,C1

Notes for Table C:

1 General Purpose ratings for UL/CSA only.

2 Requires branch circuit backup with a UL LISTED Type K5 or RK5 fuse rated 15A minimum and no more than 4 times full load amps not to exceed 125A for 50 Amp or less rating and not to exceed 175 for 51 through 100 Amp rating.

## Electrical Tables

**Table D:** Lists UL Listed (489), CSA Certified (C22.2 No. 5.1-M) configuration and performance capabilities as a Molded Case Circuit Breaker.

C SERIES TABLE D : UL489 LISTED BRANCH CIRCUIT BREAKERS						
CIRCUIT CONFIGURATION	VOLTAGE			CURRENT RATING FULL LOAD AMPS	INTERRUPTING CAPACITY (AMPS) WITHOUT BACKUP FUSE	CONSTRUCTION NOTES
	MAX. RATING	FREQUENCY	PHASE			
SERIES	80	DC	---	0.10 - 100	50,000 <sup>1</sup>	Limited to 2 Poles Max from 71 - 100 Amps.
					10,000	Limited to 2 Poles Max from 71 - 100 Amps.
	125	DC	---	0.10 - 100	5,000	1 - 3 Poles
	125 / 250	DC	---	0.10 - 50	5,000	1 or 2 Poles (2 Poles Required for 250 Volts)
	120	50 / 60	1	0.10 - 50	10,000	1 - 3 Poles
				51 - 70	5,000	1 - 3 Poles
	120 / 240	50 / 60	1	0.10 - 50	5,000	2 or 3 Poles. 1 Pole of a 3 Pole Unit is Neutral
				0.10 - 50	10000 <sup>1</sup>	2 or 3 Poles. 1 Pole of a 3 Pole Unit is Neutral
240	50 / 60	1	0.10 - 30	5,000	1 Pole	
240	50 / 60	1	0.10 - 20	5,000	2 Pole	
277	50 / 60	1	0.10 - 20	10,000	1 Pole	
DUAL COIL	120	50 / 60	1	0.10 - 30	10,000	---

Notes from Table D:

<sup>1</sup> Special catalog number required. Consult factory.

**Table E:** Lists UL Recognized, CSA Accepted configurations and performance capabilities as Protectors, Supplementary for Marine Electrical and Fuel Systems (Guide PEQZ2, File E75596). Ignition Protected per UL 1500. UL Classified Small Craft Electrical Devices, Marine in accordance with ISO 8846 (Guide UZMK, File MQ1515) as Marine Supplementary Protectors.

C-SERIES TABLE E: UL1500 (Marine Ignition Protected)								
CIRCUIT CONFIGURATION	VOLTAGE			CURRENT RATING FULL LOAD AMPS	INTERRUPTING CAPACITY (AMPS) WITHOUT BACKUP FUSE	APPLICATION CODES		CONSTRUCTION NOTES
	MAX. RATING	FREQUENCY	PHASE			UL	CSA	
SERIES	48	DC	---	0.02 - 100	5000	TC1,2,OL1,U1	TC1,2,OL1,U1	---
				101 - 150	5000	TC1,2,OL1,U1	TC1,2,OL1,U1	---
	65	DC	---	0.02 - 100	1500	TC1,2,OL0,U1	TC1,2,OL0,U1	---
	80	DC	---	0.02 - 70	1500	TC1,2,OL1,U1	TC1,2,OL1,U1	---
	125	50 / 60	1	0.02 - 70	5000	TC1,2,OL1,U1	TC1,2,OL1,U1	---
				71 - 100	1500	TC1,2,OL1,U1	TC1,2,OL1,U1	---
	250	50 / 60	1	0.02 - 70	1500	TC1,2,OL1,U1	TC1,2,OL1,U1	---
				71 - 100	1500	TC1,2,OL1,U1	TC1,2,OL1,U1	2 Poles Breaking Single Phase

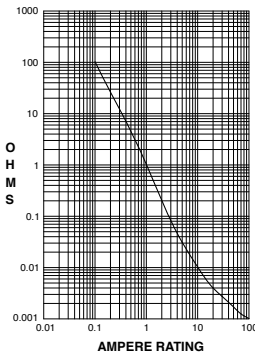
**Table F:** Lists UL Listed configurations and performance capabilities as Circuit Breakers for use in Communications Equipment (Guide DITT, File E189195), under UL489A.

C-SERIES TABLE F : PARALLEL POLE CONSTRUCTION UL489A LISTED FOR COMMUNICATIONS EQUIPMENT				
CIRCUIT CONFIGURATION	VOLTAGE		CURRENT RATING	INTERRUPTING CAPACITY (AMPS)
	MAX. RATING	FREQUENCY	GENERAL PURPOSE AMPS	WITHOUT BACKUP FUSE
SERIES	80	DC	110 - 250	10,000

## Electrical

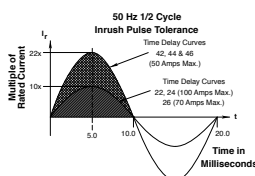
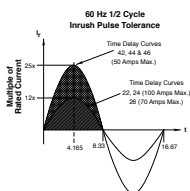
Maximum Voltage	AC, 480 WYE/277 VAC, 50/60 Hz (see Table A.) UL489: AC,240 VAC. (See Table D), 50/60 Hz, 125 VDC
Current Rating	Standard current coils: 0.100, 0.250, 0.500, 0.750, 1.00, 2.50, 5.00, 7.50, 10.0, 15.0, 25.0, 30.0, 35.0, 40.0, 50.0, 60.0, 70.0, 80.0, 90.0 and 100 amps. Other ratings available, see Ordering Scheme.
Standard Voltage Coils	DC - 6V, 12V; AC - 120V; other ratings available, see Ordering Scheme.
Auxiliary Switch Rating	SPDT; 10.1 amps-250VAC, DC Aux. Switch 1.0A, 65 VDC. 0.5A, 80VDC, 1/4 HP, 125VAC, VDE & TUV 1.0 125 VAC.
Insulation Resistance	Minimum of 100 Megohms at 500 VDC.
Dielectric Strength	UL, CSA: 1960 V 50/60 Hz for one minute between all electrically isolated terminals. C-Series Circuit Breakers comply with the 8mm spacing and 3750V 50/60 Hz dielectric requirements from hazardous voltage to operator accessible surfaces, between adjacent poles and from main circuits to auxiliary circuits per Publications EN 60950 and VDE 0805.
Resistance, Impedance	Values from Line to Load Terminal - based on Series Trip Circuit Breaker.

RESISTANCE, IMPEDANCE VALUES from Line to Load Terminals (Values Based on Series Trip Circuit Breaker)



CURRENT (AMPS)	TOLERANCE (%)
0.10 - 5.0	15%
5.1 - 20.0	25%
20.1 - 100.0	35%

### Pulse Tolerance Curves



## Mechanical

Endurance	10,000 ON-OFF operations @ 6 per minute; with rated current & voltage.
Trip Free	All C-Series circuit breakers will trip on overload, even when actuator is forcibly held in the ON position.
Trip Indication	The operating actuator moves positively to the OFF position when an overload causes the breaker to trip. With mid-trip, handle moves to the mid position on electrical trip of the circuit breaker. With mid trip handle with alarm switch, handle moves to the mid position and the alarm switch actuates when the circuit breaker is electrically tripped.

## Physical

Number of Poles	1-6 poles ≤ 50A; 1-4 poles @ 51-70A; 1-2 poles 71-100A. UL489 Handle: 1 pole ≤ 100A, 2 pole ≤ 50A; Rocker: 1 pole ≤ 100A.
Internal Circuit Config.	Series (with or without auxiliary switch, mid trip & mid trip with alarm switch) Shunt & Relay with current or voltage trip coils, Dual Coil, Switch Only (with or without aux. switch). UL489: Series (with or without auxiliary switch, mid-trip & midtrip with alarm switch).
Weight	Approx. 112 grams/pole ( 3.95 oz).
Standard Colors	Housing: Black

## Environmental

Designed and tested in accordance with requirements of specification MIL-PRF-55629 & MIL-STD-202 as follows:	
Shock	Withstands 100 Gs, 6ms sawtooth while carrying rated current per Method 213, Test Condition "I". Instantaneous and ultrashort curves tested @ 90% of rated current.
Vibration	Withstands 0.060" excursion from 10-55 Hz & 10 Gs 55-500 Hz, @ rated current per Method 204C, Test Cond. A. Instantaneous & ultrashort curves tested @ 90% of rated current.
Moisture Resistance	Method 106D, i.e., ten 24-hour cycles @ +25°C to +65°C, 80-98% RH.
Salt Spray	Method 101, Condition A (90-95% RH @ 5% NaCl Solution, 96 hrs).
Thermal Shock	Method 107D, Condition A (five cycles @ -55°C to +25°C to +85°C to +25°C).
Operating Temperature	-40°C to +85°C

**Agency Certifications:****UL Recognized**

UL Standard 1077      Component Recognition Program  
as Protectors, Supplementary  
(Guide CCN/QVNU2, File E75596)



UL Standard 508      Motor Controllers, Manual  
(Guide CCN/NLRV2, File E135367)



UL Standard 1500      Protectors, Supplementary for  
Marine Electrical & Fuel Systems  
(Guide PEQZ2, File E75596)  
Ignition Protection

**UL Listed**

UL Standard 489      Circuit Breakers, Molded Case,  
(Guide DIVQ, File E129899)



UL Standard 489A      Communications Equipment  
(Guide CCN/DITT, File E189195)

**CSA Accepted**

Component Supplementary Protector  
under Class 3215 30,  
File 047848 0 000  
CSA Standard C22.2 No. 235

**CSA Certified**

Circuit Breaker Model Case  
(Class 1432 01, File 093910),  
CSA Standard C22.2 No. 5.1 - M

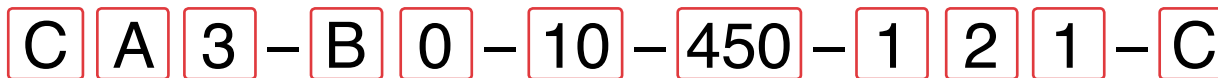
**TUV Certified**

EN60934, under License No.  
R72041016

**VDE Certified**

EN60934, VDE 0642 under File No.  
10537





1 Series 2 Actuator 3 Poles 4 Circuit 5 Aux/Alarm Switch 6 Frequency & Delay 7 Current Rating 8 Terminal 9 Actuator Color 10 Mounting Bezel/Barrier 11 Agency Approval

**1 SERIES**

**C**

**2 ACTUATOR<sup>1</sup>**

**A** Handle, one per pole  
**B** Handle, one per multipole unit  
**S** Mid-Trip Handle, one per pole  
**T** Mid-Trip, one per pole & Alarm Switch

**3 POLES<sup>2</sup>**

**1** One **3** Three **5** Five  
**2** Two **4** Four **6** Six

**4 CIRCUIT<sup>3</sup>**

**A<sup>3</sup>** Switch Only (no coil) **F<sup>4</sup>** Relay Trip (current)  
**B** Series Trip (current) **G<sup>4</sup>** Relay Trip (voltage)  
**C** Series Trip (voltage) **H<sup>4,5</sup>** Dual Coil with Shunt Trip  
**D<sup>4</sup>** Shunt Trip (current) **K<sup>4,5</sup>** Dual Coil with Relay Trip  
**E<sup>4</sup>** Shunt Trip (voltage) Voltage Coil

**5 AUXILIARY/ALARM SWITCH**

**0** without Aux Switch **6** S.P.S.T., 0.139 Solder Lug  
**2** S.P.D.T., 0.110 Q.C. Term. **8** S.P.S.T., 0.187 Q.C. Term.  
**3** S.P.D.T., 0.139 Solder Lug **9** S.P.D.T., 0.187 Q.C. Term.  
**4** S.P.D.T., 0.110 Q.C. Term. (Gold Contacts)

**6 FREQUENCY & DELAY**

**03<sup>3</sup>** DC 50/60Hz, Switch Only **30** DC 50/60Hz Instantaneous  
**10<sup>7</sup>** DC Instantaneous **31** DC 50/60Hz Ultra Short  
**11** DC Ultra Short **32** DC 50/60Hz Short  
**12** DC Short **34** DC 50/60Hz Medium  
**14** DC Medium **36** DC 50/60Hz Long  
**16** DC Long **42<sup>8</sup>** 50/60Hz Short, Hi-Inrush  
**20<sup>7</sup>** 50/60Hz Instantaneous **44<sup>8</sup>** 50/60Hz Medium, Hi-Inrush  
**21** 50/60Hz Ultra Short **46<sup>8</sup>** 50/60Hz Long, Hi-Inrush  
**22** 50/60Hz Short **52<sup>8</sup>** DC Short, Hi-Inrush  
**24** 50/60Hz Medium **54<sup>8</sup>** DC Medium, Hi-Inrush  
**26** 50/60Hz Long **56** DC Long, Hi-Inrush

Notes:

- 1 Actuator Code:  
 A: Handle tie pin spacer(s) and retainers provided assembled with multi-pole units.  
 B: Handle location as viewed from front of breaker:  
 2 pole - left pole 3 pole - center pole 4 pole - two handles at center poles  
 5 pole - three handles at center poles 6 pole - four handles at center poles  
 S: Handle moves to mid-position only upon electrical trip of the breaker. Available with circuit codes B, C, D, E, F, G, H and K.  
 T: Handle moves to mid-position and alarm switch activates only upon electrical trip of the breaker. Available with circuit codes B & C.
- 2 Standard multipole units have all poles identical except when specifying auxiliary switch and/or mixed poles. 4 pole max w/VDE. 5th pole available as Series Trip w/ Voltage Coil only.
- 3 Switch Only circuits, rated up to 50 amps and 6 poles, and only available with VDE Certification when tied to a protected pole (Circuit Code B, C, D or H). For .02 to 30 amps, select Current Code 630. For 35 - 50 amps, select Current Code 650. For 55-70 amps, select Current Code 670. For 75-100 amps, select Current Code 810.
- 4 Circuit Codes D,E,F,G,H & K available with Terminal Codes 1,2,4 & 5 only. Circuit Codes D, F, H & K available up to 50 amps maximum Current Rating.
- 5 Consult factory for available Dual Coil options, as special catalog number is required. Dual Coil Voltage Coils with Shunt Trip Construction trip instantaneously on line voltage. Dual Coil Voltage Coils require 30VA minimum power to trip instantaneously and are rated for intermittent duty only.
- 6 Auxiliary Switch available with Series Trip and Switch Only circuits. On multi-pole breakers, one aux. switch is supplied, mounted in the extreme right pole.
- 7 Voltage coils not rated for continuous duty. Available only with delay codes 10 & 20.
- 8 Available with Circuit Codes B & D only, and up to 50 amps maximum.
- 9 Current Ratings 60 - 70 are available up to four poles maximum. Ratings 71 - 100 are available up to two poles maximum.
- 10 Terminal Code 1 available to 60 amps maximum.
- 11 Terminal Codes 2, 4, 5 and C available to 50 amps maximum.
- 12 Terminal Codes 3, 6 & 9 available to 100 amps maximum.
- 13 Terminal Code 7 available to 25 amps maximum.
- 14 Terminal Code A available to 100 amps maximum.
- 15 Terminal Codes 7, 9 & C are not VDE approved.
- 16 No marking available. Consult factory. VDE/TUV Approval requires dual (I-O, ON-OFF) or I-O markings on all handles.
- 17 Single pole only.
- 18 VDE/TUV: 30 amps max.; UL/CSA: 50 amps max.; Available in 2 - 4 poles only and limited to AC Delays. "General Purpose amps" not rated for "full load amps" or to be used in applications with a motor.

**7 CURRENT RATING (AMPERES)**

CODE	AMPERES	CODE	AMPERES	CODE	AMPERES	CODE	AMPERES
020	0.020	235	0.350	430	3.000	614	14.000
025	0.025	240	0.400	435	3.500	615	15.000
030	0.030	245	0.450	440	4.000	616	16.000
035	0.035	250	0.500	445	4.500	617	17.000
040	0.040	255	0.550	450	5.000	618	18.000
045	0.045	260	0.600	455	5.500	620	20.000
050	0.050	265	0.650	460	6.000	622	22.000
055	0.055	270	0.700	465	6.500	624	24.000
060	0.060	275	0.750	470	7.000	625	25.000
065	0.065	280	0.800	475	7.500	630	30.000
070	0.070	285	0.850	480	8.000	635	35.000
075	0.075	290	0.900	485	8.500	640	40.000
080	0.080	295	0.950	490	9.000	650	50.000
085	0.085	410	1.000	495	9.500	660 <sup>9</sup>	60.000
090	0.090	512	1.250	610	10.000	670 <sup>9</sup>	70.000
095	0.095	415	1.500	710	10.500	680 <sup>9</sup>	80.000
100	0.100	517	1.750	611	11.000	685 <sup>9</sup>	85.000
215	0.150	420	2.000	711	11.500	690 <sup>9</sup>	90.000
220	0.200	522	2.250	612	12.000	695 <sup>9</sup>	95.000
225	0.250	425	2.500	712	12.500	810 <sup>9</sup>	100.000
230	0.300	527	2.750	613	13.000		

**VOLTAGE COIL (NOMINAL RATED VOLTAGE)<sup>7</sup>**

CODE	RATING	CODE	RATING	CODE	RATING	CODE	RATING
A06	6DC	A32	32DC	J12	12AC	J65	65AC
A12	12DC	A48	48DC	J18	18AC	K20	120AC
A18	18DC	A65	65DC	J24	24AC	L40	240AC
A24	24DC	J06	6AC	J48	48AC		

**8 TERMINAL<sup>15</sup>**

1 <sup>10</sup>	Stud 10-32	6 <sup>12</sup>	Stud M6
2 <sup>11</sup>	Screw 10-32	7 <sup>13,15</sup>	0.250 Double Click Connect
3 <sup>12</sup>	Stud 1/4-20	9 <sup>15</sup>	7/16" Clip Terminal
4 <sup>11</sup>	Stud M5 x 0.8	A <sup>14</sup>	Plug-In Stud
5 <sup>11</sup>	Screw M5 x 0.8	C <sup>11,15</sup>	5/16" Clip Terminal

**9 ACTUATOR COLOR & LEGEND<sup>16</sup>**

Actuator Color	I-O	ON-OFF	Dual	Legend Color
White	A	B	1	Black
Black	C	D	2	White
Red	F	G	3	White
Green	H	J	4	White
Blue	K	L	5	White
Yellow	M	N	6	Black
Gray	P	Q	7	Black
Orange	R	S	8	Black
Black (short handle) <sup>17</sup>	T	U	9	White

**10 MOUNTING/BARRIERS**

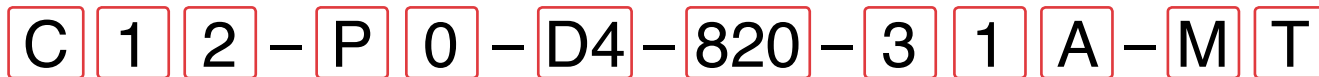
MOUNTING STYLE	BARRIERS	VOLTAGE
<b>Threaded Insert</b>		
1	6-32 x 0.195 inches	no < 300
A	6-32 X 0.195 inches	yes < 300
C <sup>18</sup>	6-32 X 0.195 inches	yes ≥ 300
2	ISO M3 x 5mm	no < 300
B	ISO M3 x 5mm	yes < 300
D <sup>18</sup>	ISO M3 x 5mm	yes ≥ 300
<b>Front panel Snap-In, 1.00" [25.4mm] wide bezel</b>		
E <sup>17</sup>	with Handleguard	no < 300

**11 AGENCY APPROVAL**

**C** UL Recognized, CSA Accepted  
**D** VDE Certified, UL Recognized, CSA Accepted  
**E** TUV Certified, UL Recognized, CSA Accepted  
**H** UL489 Construction: VDE Certified, UL Recognized, CSA Accepted  
**I** UL Rec. STD 1077, UL Rec. 1500 (ignition protected), CSA Accepted  
**L** UL489 Construction: UL Recognized, CSA Accepted  
**R** UL489 Construction: TUV Certified, UL Recognized, CSA Accepted







1 Series    2 Actuator    3 Poles    4 Circuit    5 Aux/Alarm Switch    6 Frequency & Delay    7 Current Rating    8 Terminal    9 Actuator Color    10 Mounting    11 Max. App. Rating    12 Agency Approval

**1 SERIES**  
C

- 2 ACTUATOR**
- C Curved Rocker, Two Color Visi, Indicate On, Vertical Legend
  - D Curved Rocker, Two Color Visi, Indicate On, Horizontal Legend
  - F Curved Rocker, Two Color Visi, Indicate Off, Vertical Legend
  - G Curved Rocker, Two Color Visi, Indicate Off, Horizontal Legend
  - J Curved Rocker, Single Color, Vertical Legend
  - K Curved Rocker, Single Color, Horizontal Legend
  - 1 Flat Rocker, Two Color Visi, Vertical Legend
  - 2 Flat Rocker, Two Color Visi, Horizontal Legend
  - 3 Flat Rocker, Single Color, Vertical Legend
  - 4 Flat Rocker, Single Color, Horizontal Legend
  - 5 Flat Rocker, Push To Reset, Two Color Visi, Vertical Legend
  - 6 Flat Rocker, Push To Reset, Two Color Visi, Horizontal Legend
  - 7 Flat Rocker, Push To Reset, Single Color, Vertical Legend
  - 8 Flat Rocker, Push To Reset, Single Color, Horizontal Legend

- 3 POLES<sup>2</sup>**
- |   |     |   |     |   |       |
|---|-----|---|-----|---|-------|
| 1 | One | 2 | Two | 3 | Three |
|---|-----|---|-----|---|-------|

- 4 CIRCUIT<sup>3</sup>**
- |   |             |   |                             |
|---|-------------|---|-----------------------------|
| B | Series Trip | P | Series Trip (parallel pole) |
|---|-------------|---|-----------------------------|

- 5 AUXILIARY/ALARM SWITCH**
- |   |  |   |                            |
|---|--|---|----------------------------|
| 0 | without Aux Switch                         | 6 | S.P.S.T., 0.139 Solder Lug |
| 2 | S.P.D.T., 0.110 Q.C. Term.                 | 8 | S.P.S.T., 0.187 Q.C. Term. |
| 3 | S.P.D.T., 0.139 Solder Lug                 | 9 | S.P.D.T., 0.187 Q.C. Term. |
| 4 | S.P.D.T., 0.110 Q.C. Term. (Gold Contacts) |   |                            |

- 6 FREQUENCY & DELAY<sup>5</sup>**
- |    |                |    |                |
|----|----------------|----|----------------|
| D1 | DC Ultra Short | 11 | DC Ultra Short |
| D2 | DC Short       | 12 | DC Short       |
| D4 | DC Medium      | 14 | DC Medium      |
| D6 | DC Long        | 16 | DC Long        |

**7 CURRENT RATING (AMPERES)<sup>2</sup>**

CODE	AMPERES	CODE	AMPERES	CODE	AMPERES	CODE	AMPERES
810	100.00	813	130.00	817	170.00	820	200.00
811	110.00	814	140.00	818	180.00	822	225.00
812	120.00	815	150.00	819	190.00	825	250.00
912	125.00	816	160.00				

- 8 TERMINAL<sup>4</sup>**
- 3 Stud 1/4-20
  - 6 Stud M6
  - A Plug-In Stud

**9 ACTUATOR COLOR**

	LEGEND	Dual	Legend Color
White	B	1	Black
Black	D	2	White
Red	G	3	White
Green	J	4	White
Blue	L	5	White
Yellow	N	6	Black
Gray	Q	7	Black
Orange	S	8	Black

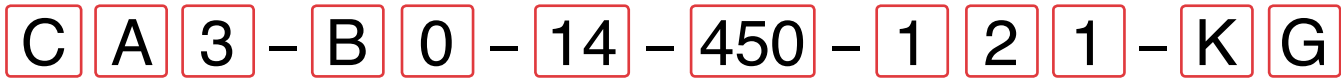
- 10 MOUNTING**
- ROCKER / MOUNTING INSERT STYLE**
- A Standard Rocker Bezel - 6-32 Inserts
  - B Standard Rocker Bezel - M3 Inserts
  - C Rocker Guard Bezel - 6-32 Inserts
  - D Rocker Guard Bezel - M3 Inserts
  - E Standard Bezel with recessed Off Side Flat Rocker - 6-32 Inserts
  - F Standard Bezel with recessed Off Side Flat Rocker - M3 Inserts
  - G Push to Reset Bezel - 6-32 Inserts
  - H Push to Reset Bezel - M3 Inserts

- 11 MAXIMUM APPLICATION RATING**
- M 80 DC

- 12 AGENCY APPROVAL<sup>6</sup>**
- A Without Approval
  - J UL489A Listed, TUV Certified
  - T UL489A Listed
  - 7 UL489A Listed, TUV Certified

Notes:

- 1 Breakers with Terminal Codes 3 & 6 are supplied with bus bars connecting the Line and Load Terminals. For Terminal Code A, Line and Load Terminals must be connected to a copper bus bar having a minimum cross-section of 0.078 square inches. Terminal code A not available on the single pole unit.
- 2 Ratings for 101 to 125 amps are available in 1-pole size. Ratings from 110 to 200 amps are available in 2-pole size. For ratings from 225-250 amps, specify 3-pole size.
- 3 Circuit code B only available with 1-pole.
- 4 1 pole only available with terminal codes 3 and 6.
- 5 Delays 11, 12, 14, and 16 are only available with 1 pole.
- 6 Agency code K and 7 not available with 1 pole. Agency code J only available with 1 pole.



1 Series    2 Actuator    3 Poles    4 Circuit    5 Aux/Alarm Switch    6 Frequency & Delay    7 Current Rating    8 Terminal    9 Actuator Color    10 Mounting/Barriers    11 Max. App. Rating    12 Agency Approval

**1 SERIES**  
C

**2 ACTUATOR<sup>1</sup>**  
**A** Handle, one per pole  
**B** Handle, one per multipole unit  
**S** Mid-Trip Handle, one per pole  
**T** Mid-Trip, one per pole & Alarm Switch

**3 POLES<sup>2</sup>**  
**1** One                      **2** Two                      **3** Three

**4 CIRCUIT**  
**B** Series Trip (current)

**5 AUXILIARY/ALARM SWITCH<sup>3</sup>**  
**0** without Aux Switch  
**2** S.P.D.T., 0.110 Q.C. Term.                      **6** S.P.S.T., 0.139 Solder Lug  
**3** S.P.D.T., 0.139 Solder Lug                      **8** S.P.S.T., 0.187 Q.C. Term.  
**4** S.P.D.T., 0.110 Q.C. Term. (Gold Contacts)                      **9** S.P.D.T., 0.187 Q.C. Term.

**6 FREQUENCY & DELAY**  
**11** DC Ultra Short                      **26** 50/60Hz Long  
**12** DC Short                      **42<sup>4</sup>** 50/60Hz Short, Hi-Inrush  
**14** DC Medium                      **44<sup>4</sup>** 50/60Hz Medium, Hi-Inrush  
**16** DC Long                      **46<sup>4</sup>** 50/60Hz Long, Hi-Inrush  
**21** 50/60Hz Ultra Short                      **52<sup>4</sup>** DC Short, Hi-Inrush  
**22** 50/60Hz Short                      **54<sup>4</sup>** DC Medium, Hi-Inrush  
**24** 50/60Hz Medium                      **56<sup>4</sup>** DC Long, Hi-Inrush

**7 CURRENT RATING (AMPERES)<sup>5</sup>**

CODE	AMPERES				
210	0.100	295	0.950	470	7.000
215	0.150	410	1.000	475	7.500
220	0.200	512	1.250	480	8.000
225	0.250	415	1.500	485	8.500
230	0.300	517	1.750	490	9.000
235	0.350	420	2.000	495	9.500
240	0.400	522	2.250	610	10.000
245	0.450	425	2.500	710	10.500
250	0.500	527	2.750	611	11.000
255	0.550	430	3.000	711	11.500
260	0.600	435	3.500	612	12.000
265	0.650	440	4.000	712	12.500
270	0.700	445	4.500	613	13.000
275	0.750	450	5.000	614	14.000
280	0.800	455	5.500	615	15.000
285	0.850	460	6.000	616	16.000
290	0.900	465	6.500	617	17.000

**8 TERMINAL<sup>6</sup>**  
**1<sup>7</sup>** Stud 10-32    **6<sup>9</sup>** Stud M6  
**2<sup>8</sup>** Screw 10-32    **9<sup>9</sup>** 7/16" Clip Terminal  
**3<sup>9</sup>** Stud 1/4-20    **A<sup>10</sup>** Plug-In Stud  
**4<sup>8</sup>** Stud M5 x 0.8    **C<sup>8</sup>** 5/16" Clip Terminal  
**5<sup>8</sup>** Screw M5 x 0.8

**9 ACTUATOR COLOR & LEGEND<sup>11</sup>**

Actuator Color	ON-OFF	Dual	Legend Color
White	<b>B</b>	<b>1</b>	Black
Black	<b>D</b>	<b>2</b>	White
Red	<b>G</b>	<b>3</b>	White
Green	<b>J</b>	<b>4</b>	White
Blue	<b>L</b>	<b>5</b>	White
Yellow	<b>N</b>	<b>6</b>	Black
Gray	<b>Q</b>	<b>7</b>	Black
Orange	<b>S</b>	<b>8</b>	Black

**10 MOUNTING/BARRIERS**

MOUNTING STYLE	BARRIERS <sup>12</sup>
<b>Threaded Insert</b>	
<b>1</b> 6-32 x 0.195 inches	yes
<b>2</b> ISO M3 x 5mm	yes

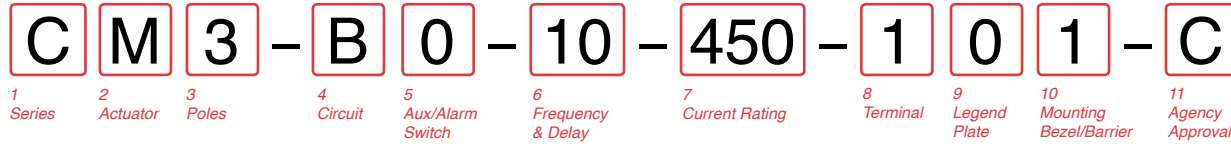
**11 MAXIMUM APPLICATION RATING**

<b>A</b> 65 DC
<b>B</b> 125 DC
<b>C</b> 120/240 AC <sup>2</sup>
<b>D</b> 240 AC
<b>K</b> 120 AC
<b>F</b> 277 AC
<b>M</b> 80 DC

**12 AGENCY APPROVAL<sup>11</sup>**

<b>A</b> w/o approvals
<b>F</b> UL489 Listed, CSA Certified & VDE Certified
<b>G</b> UL489 Listed & CSA Certified
<b>J</b> UL489 Listed, CSA Certified & TUV Certified

- Notes:
- Actuator Code:  
 A: Handle tie pin spacer(s) and retainers provided assembled with multi-pole units.  
 B: Handle located, as viewed from front of breaker in left pole. 2 pole maximum.  
 S: Handle moves to mid-position only upon electrical trip of the breaker.  
 T: Handle moves to mid-position and alarm switch activates only upon electrical trip of the breaker.
  - Standard multipole units have all poles identical except when specifying auxiliary switch and/or mixed poles.  
 2 & 3 pole circuit breakers required for 120/240 VAC (Maximum application rating code C) applications, have all poles identical except when specifying auxiliary / alarm switch which is normally supplied in extreme right pole per figure B. Terminal barriers are required on all multipole breakers.  
 Third pole is for 120/240 VAC applications requiring neutral disconnect. The 3rd pole has the same construction as poles 1 & 2.
  - On multi-pole breakers, one auxiliary switch is supplied, mounted in the extreme right pole.  
 VDE approval on auxiliary switch codes 2, 3 & 4 only.  
 Auxiliary / Alarm Switch with Independent Circuit ie: separate from breaker circuit, only available with circuit breakers rated 50 amp maximum at 80 VDC, 125 VDC, and 120 VAC. Auxiliary / Alarm Switch with Dependent Circuit ie: same as circuit breaker, is supplied from factory with common terminal of auxiliary / alarm switch connected to line terminal on 120/240 and 240 VAC ratings. Circuit breakers rated 120 VAC 50 amp maximum can be supplied with Auxiliary/Alarm switch common terminal connected to breaker line terminal. Consult factory for special catalog number.
  - Available up to 50 amps maximum.
  - Current ratings 71 - 100 with VDE approvals are available up to two poles maximum.
  - Terminal Codes 9 & C are not VDE approved.
  - Terminal Code 1 available to 60 amps maximum.
  - Terminal Codes 2, 4, 5 & C available to 50 amps maximum.
  - Terminal Codes 3, 6 & 9 available to 100 amps maximum.
  - Terminal Code A available to 100 amps maximum.
  - VDE and TUV approvals require Dual (I-O, ON-OFF) markings on all handles.
  - Barriers supplied on multi-pole units only.



**1 SERIES**  
**C**

**2 ACTUATOR<sup>1</sup>**  
**M** Sealed Toggle, one per pole

**3 POLES**

<b>1</b> One	<b>2</b> Two	<b>3</b> Three
--------------	--------------	----------------

**4 CIRCUIT**

<b>A</b> <sup>2</sup> Switch Only (no coil)	<b>F</b> <sup>3</sup> Relay Trip (current)
<b>B</b> Series Trip (current)	<b>G</b> <sup>3</sup> Relay Trip (voltage)
<b>C</b> Series Trip (voltage)	<b>H</b> <sup>3,4</sup> Dual Coil with Shunt Trip
<b>D</b> <sup>3</sup> Shunt Trip (current)	<b>K</b> <sup>3,4</sup> Dual Coil with Relay Trip
<b>E</b> <sup>3</sup> Shunt Trip (voltage)	Voltage Coil

**5 AUXILIARY/ALARM SWITCH**

<b>0</b> without Aux Switch	<b>6</b> S.P.S.T., 0.139 Solder Lug
<b>2</b> S.P.D.T., 0.110 Q.C. Term.	<b>8</b> S.P.S.T., 0.187 Q.C. Term.
<b>3</b> S.P.D.T., 0.139 Solder Lug	<b>9</b> S.P.D.T., 0.187 Q.C. Term.
<b>4</b> S.P.D.T., 0.110 Q.C. Term. (Gold Contacts)	

**6 FREQUENCY & DELAY**

<b>03</b> <sup>2</sup> DC 50/60Hz, Switch Only	<b>30</b> DC 50/60Hz Instantaneous
<b>10</b> <sup>6</sup> DC Instantaneous	<b>31</b> DC 50/60Hz Ultra Short
<b>11</b> DC Ultra Short	<b>32</b> DC 50/60Hz Short
<b>12</b> DC Short	<b>34</b> DC 50/60Hz Medium
<b>14</b> DC Medium	<b>36</b> DC 50/60Hz Long
<b>16</b> DC Long	<b>42</b> <sup>7</sup> 50/60Hz Short, Hi-Inrush
<b>20</b> <sup>6</sup> 50/60Hz Instantaneous	<b>44</b> <sup>7</sup> 50/60Hz Medium, Hi-Inrush
<b>21</b> 50/60Hz Ultra Short	<b>46</b> <sup>7</sup> 50/60Hz Long, Hi-Inrush
<b>22</b> 50/60Hz Short	<b>52</b> <sup>7</sup> DC Short, Hi-Inrush
<b>24</b> 50/60Hz Medium	<b>54</b> <sup>7</sup> DC Medium, Hi-Inrush
<b>26</b> 50/60Hz Long	<b>56</b> DC Long, Hi-Inrush

**7 CURRENT RATING (AMPERES)<sup>9</sup>**

CODE	AMPERES	CODE	AMPERES	CODE	AMPERES	CODE	AMPERES
020	0.020	235	0.350	430	3.000	614	14.000
025	0.025	240	0.400	435	3.500	615	15.000
030	0.030	245	0.450	440	4.000	616	16.000
035	0.035	250	0.500	445	4.500	617	17.000
040	0.040	255	0.550	450	5.000	618	18.000
045	0.045	260	0.600	455	5.500	620	20.000
050	0.050	265	0.650	460	6.000	622	22.000
055	0.055	270	0.700	465	6.500	624	24.000
060	0.060	275	0.750	470	7.000	625	25.000
065	0.065	280	0.800	475	7.500	630	30.000
070	0.070	285	0.850	480	8.000	635	35.000
075	0.075	290	0.900	485	8.500	640	40.000
080	0.080	295	0.950	490	9.000	650	50.000
085	0.085	410	1.000	495	9.500	660 <sup>9</sup>	60.000
090	0.090	512	1.250	610	10.000	670 <sup>9</sup>	70.000
095	0.095	415	1.500	710	10.500	680 <sup>9</sup>	80.000
210	0.100	517	1.750	611	11.000	685 <sup>9</sup>	85.000
215	0.150	420	2.000	711	11.500	690 <sup>9</sup>	90.000
220	0.200	522	2.250	612	12.000	695 <sup>9</sup>	95.000
225	0.250	425	2.500	712	12.500	810 <sup>9</sup>	100.000
230	0.300	527	2.750	613	13.000		

**VOLTAGE COIL (NOMINAL RATED VOLTAGE)<sup>7</sup>**

CODE	RATING	CODE	RATING	CODE	RATING	CODE	RATING
A06	6DC	A32	32DC	J12	12AC	J65	65AC
A12	12DC	A48	48DC	J18	18AC	K20	120AC
A18	18DC	A65	65DC	J24	24AC	L40	240AC
A24	24DC	J06	6AC	J48	48AC		

**8 TERMINAL**

<b>1</b> <sup>9</sup> Stud 10-32	<b>6</b> <sup>11</sup> Stud M6
<b>2</b> <sup>10</sup> Screw 10-32	<b>7</b> <sup>12</sup> 0.250 Double Click Connect
<b>3</b> <sup>11</sup> Stud 1/4-20	<b>9</b> <sup>11</sup> 7/16" Clip Terminal
<b>4</b> <sup>10</sup> Stud M5 x 0.8	<b>A</b> <sup>13</sup> Plug-In Stud
<b>5</b> <sup>10</sup> Screw M5 x 0.8	<b>C</b> <sup>10</sup> 5/16" Clip Terminal

**9 LEGEND PLATE**

**0** No Legend

**10 MOUNTING/BARRIERS**

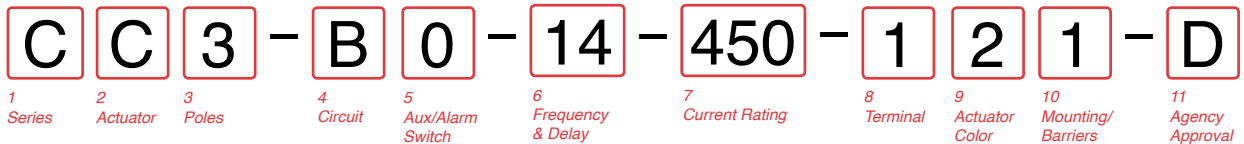
MOUNTING STYLE	BARRIERS
<b>1</b> Standard Hex Nut	no
<b>A</b> Standard Hex Nut (multi-pole units only)	yes

**11 AGENCY APPROVAL**

<b>C</b> UL Recognized & CSA Accepted
<b>L</b> UL Recognized & CSA Accepted with listed construction
<b>I</b> UL Recognized & CSA Accepted, UL1500 ignition protection

Notes:

- Actuator Code M: Handle location as viewed from front of breaker.  
 2 pole - right pole    3 pole - center pole
- Switch Only circuits, rated up to 50 amps and 3 poles, and only available with VDE.  
 For .02 to 30 amps, select Current Code 630. For 35 - 50 amps, select Current Code 650. For 55-70 amps, select Current Code 670. For 75-100 amps, select Current Code 810.
- Circuit Codes D,E,F,G,H & K available with Terminal Codes 1,2,4 & 5 only.
- Consult factory for available Dual Coil options, as special catalog number is required. Dual Coil Voltage Coils with Shunt Trip Construction trip instantaneously on line voltage. Dual Coil Voltage Coils require 30VA minimum power to trip instantaneously and are rated for intermittent duty only.
- Auxiliary Switch available with Series Trip and Switch Only circuits. On multi-pole breakers, one aux. switch is supplied, mounted in the extreme right pole.
- Voltage coils not rated for continuous duty. Available only with delay codes 10 & 20.
- Available with Circuit Codes B & D only, and up to 50 amps maximum.
- Consult factory for current ratings 71-100, in three pole units, available as special catalog number only.
- Terminal Code 1 available to 60 amps maximum.
- Terminal Codes 2, 4, 5 and C available to 50 amps maximum.
- Terminal Codes 3, 6 & 9 available to 100 amps maximum.
- Terminal Code 7 available to 25 amps maximum.
- Terminal Code A available to 100 amps maximum.



**1 SERIES**  
C

**2 ACTUATOR<sup>1</sup>**

**Two Color Visi-Rocker**  
 C Indicate ON, vertical legend  
 D Indicate ON, horizontal legend  
 E Indicate ON, no legend  
 F Indicate OFF, vertical legend  
 G Indicate OFF, horizontal legend  
 H Indicate OFF, no legend  
**Push-To-Reset, Visi-Rocker**  
 N Indicate OFF, vertical legend  
 O Indicate OFF, horizontal legend  
 P Indicate OFF, no legend

**Single color**  
 J Vertical legend  
 K Horizontal legend  
 L No legend  
**Push-To-Reset, Single color**  
 R Vertical legend  
 U Horizontal legend  
 V No legend

	INDICATE "ON"	INDICATE "OFF"	SINGLE COLOR
VERTICAL STYLE	CODE "C" Indicate ON location	CODE "F", "N" Indicate OFF location	CODE "J", "R" Indicate ON location
HORIZONTAL STYLE	CODE "D" Indicate ON location	CODE "G", "O" Indicate OFF location	CODE "K", "U" Indicate ON location

**3 POLES<sup>2</sup>**

1 One                                      2 Two                                      3 Three

**4 CIRCUIT**

A<sup>3</sup> Switch Only (No Coil)                      F<sup>4</sup> Relay Trip (Current)  
 B Series Trip (Current)                      G<sup>4</sup> Relay Trip (Voltage)  
 C Series Trip (Voltage)                      H<sup>4,5</sup> Dual Coil with Shunt Trip  
 D<sup>4</sup> Shunt Trip (Current)                      K<sup>4,5</sup> Dual Coil with Relay Trip  
 E<sup>4</sup> Shunt Trip (Voltage)                      Voltage Coil

**5 AUXILIARY/ALARM SWITCH<sup>6</sup>**

0 without Aux Switch                      6 S.P.D.T., 0.139 Solder Lug  
 2 S.P.D.T., 0.110 Q.C. Term.                      8 S.P.S.T., 0.187 Q.C. Term.  
 3 S.P.D.T., 0.139 Solder Lug                      9 S.P.D.T., 0.187 Q.C. Term.  
 4 S.P.D.T., 0.110 Q.C. Term. (Gold Contacts)

**6 FREQUENCY & DELAY**

03 DC 50/60Hz, Switch Only                      30 DC 50/60Hz Instantaneous  
 10<sup>7</sup> DC Instantaneous                      31 DC 50/60Hz Ultra Short  
 11 DC Ultra Short                      32 DC 50/60Hz Short  
 12 DC Short                      34 DC 50/60Hz Medium  
 14 DC Medium                      36 DC 50/60Hz Long  
 16 DC Long                      42<sup>8</sup> 50/60Hz Short, Hi-Inrush  
 20<sup>7</sup> 50/60Hz Instantaneous                      44<sup>8</sup> 50/60Hz Medium, Hi-Inrush  
 21 50/60Hz Ultra Short                      46<sup>8</sup> 50/60Hz Long, Hi-Inrush  
 22 50/60Hz Short                      52<sup>8</sup> DC Short, Hi-Inrush  
 24 50/60Hz Medium                      54<sup>8</sup> DC Medium, Hi-Inrush  
 26 50/60Hz Long                      56<sup>8</sup> DC Long, Hi-Inrush

- Notes:
- Push-To-Reset actuators have OFF portion of rocker shrouded.
  - Multi-pole breakers have all poles identical except when specifying Aux. switch and/or mixed poles, and have one rocker per breaker. Rocker location as viewed from front panel: 2 pole – left pole; 3 pole – center pole.
  - Switch Only circuits, rated up to 50 amps and 3 poles, and only available with VDE Certification when tied to a protected pole (Circuit Code B, C, D or H). For .02 to 30 amps, select Current Code 630. For 35 - 50 amps, select Current Code 650. For 55-70 amps, select Current Code 670. For 75-100 amps, select Current Code 810.
  - Circuit Codes D, E, F, G, H & K available with Terminal Codes 1, 2, 4 & 5 only. Circuit Codes D, F, H & K available up to 50 amps maximum Current Rating.
  - Consult factory for available Dual Coil options, as special catalog number is required. Dual Coil Voltage Coils with Shunt Trip Construction trip instantaneously on line voltage. Dual Coil Voltage Coils require 30VA minimum power to trip instantaneously and are rated for intermittent duty only.
  - Auxiliary Switch available with Series Trip and Switch Only circuits. On multi-pole breakers, one aux. switch is supplied, mounted in the extreme right pole. Auxiliary switch codes 2, 3 & 4 are VDE approved.
  - Voltage coils not rated for continuous duty. Available only with delay codes 10 & 20.
  - Available with Circuit Codes B & D only, and up to 50 amps maximum.
  - Current Ratings 60-70 are available up to four poles maximum. Ratings 71-100 are available up to two poles maximum.
  - Terminal Code 1 available to 60 amps maximum.
  - Terminal Codes 2, 4, 5 & C available to 50 amps maximum.
  - Terminal Codes 3, 6 & 9 available to 100 amps maximum.
  - Terminal Code 7 available to 25 amps maximum.
  - Terminal Code A available to 100 amps maximum.
  - Terminal Codes 7, 9 & C are not VDE approved.
  - Color shown is visi and legend with remainder of rocker black
  - Legend on Push-to-reset bezel/shroud is white when single color rocker is ordered. Dual = ON-OFF/I-O legend with actuator codes C - G, and J, K, N, O, R, & U. None = no legend with actuator codes H, L, P, V. Rockerguard available with actuator codes C - L. Push-to-reset available with actuator codes N, O, P, R, U, V.
  - VDE/TUV approval requires Dual (I-O, ON-OFF) or I-O markings on rocker.
  - VDE/TUV: 30 amps max.; UL/CSA: 50 amps max.; Available in 2 - 4 poles only and limited to AC Delays. "General Purpose amps" not rated for "full load amps" or to be used in applications with a motor.

**7 CURRENT RATING (AMPERES)**

CODE	AMPERES	CODE	AMPERES	CODE	AMPERES	CODE	AMPERES
020	0.020	235	0.350	430	3.000	614	14.000
025	0.025	240	0.400	435	3.500	615	15.000
030	0.030	245	0.450	440	4.000	616	16.000
035	0.035	250	0.500	445	4.500	617	17.000
040	0.040	255	0.550	450	5.000	618	18.000
045	0.045	260	0.600	455	5.500	620	20.000
050	0.050	265	0.650	460	6.000	622	22.000
055	0.055	270	0.700	465	6.500	624	24.000
060	0.060	275	0.750	470	7.000	625	25.000
065	0.065	280	0.800	475	7.500	630	30.000
070	0.070	285	0.850	480	8.000	635	35.000
075	0.075	290	0.900	485	8.500	640	40.000
080	0.080	295	0.950	490	9.000	650	50.000
085	0.085	410	1.000	495	9.500	660 <sup>9</sup>	60.000
090	0.090	512	1.250	610	10.000	670 <sup>9</sup>	70.000
095	0.095	415	1.500	710	10.500	680 <sup>9</sup>	80.000
100	0.100	517	1.750	611	11.000	685 <sup>9</sup>	85.000
215	0.150	420	2.000	711	11.500	690 <sup>9</sup>	90.000
220	0.200	522	2.250	612	12.000	695 <sup>9</sup>	95.000
225	0.250	425	2.500	712	12.500	810 <sup>9</sup>	100.000
230	0.300	527	2.750	613	13.000		

**VOLTAGE COIL (NOMINAL RATED VOLTAGE)<sup>7</sup>**

CODE	RATING	CODE	RATING	CODE	RATING	CODE	RATING
A06	6DC	A32	32DC	J12	12AC	J65	65AC
A12	12DC	A48	48DC	J18	18AC	K20	120AC
A18	18DC	A65	65DC	J24	24AC	L40	240AC
A24	24DC	J06	6AC	J48	48AC		

**8 TERMINAL**

1 <sup>10</sup>	Stud 10-32	6 <sup>12</sup>	Stud M6
2 <sup>11</sup>	Screw 10-32	7 <sup>13</sup>	0.250 Double Quick Connect
3 <sup>12</sup>	Stud 1/4-20	9	7/16" Clip Terminal
4 <sup>11</sup>	Stud M5 x 0.8	A <sup>14</sup>	Plug-In Stud
5 <sup>11</sup>	Screw M5 x 0.8	C	5/16" Clip Terminal

**9 ACTUATOR COLOR & LEGEND<sup>16,17,18</sup>**

Actuator or Visi-Color	Marking:	Marking Color:
<b>Color:</b>	<b>I-O</b> <b>ON-OFF</b> <b>Dual/None</b>	<b>Single Color</b>
White	A    B    1	Black
Black	C    D    2	White
Red	F    G    3	White
Green	H    J    4	White
Blue	K    L    5	White
Yellow	M    N    6	Black
Gray	P    Q    7	Black
Orange	R    S    8	Black

**10 MOUNTING/BARRIERS<sup>1</sup>**

	STANDARD ROCKER BEZEL	BARRIERS	VOLTAGE
1	6-32 x 0.195 inches	no	<300
2	6-32 x 0.195 inches	yes	<300
3 <sup>19</sup>	6-32 x 0.195 inches	yes	≥300
4	ISO M3 x 5mm	no	<300
5	ISO M3 x 5mm	yes	<300
6 <sup>19</sup>	ISO M3 x 5mm	yes	≥300
<b>ROCKERGARD BEZEL</b>			
A	6-32 x 0.195 inches	no	<300
C	6-32 x 0.195 inches	yes	<300
E <sup>19</sup>	6-32 x 0.195 inches	yes	≥300
G	ISO M3 x 5mm	no	<300
J	ISO M3 x 5mm	yes	<300
L <sup>19</sup>	ISO M3 x 5mm	yes	≥300
<b>PUSH-TO-RESET BEZEL</b>			
B	6-32 x 0.195 inches	no	<300
D	6-32 x 0.195 inches	yes	<300
F <sup>19</sup>	6-32 x 0.195 inches	yes	≥300
H	ISO M3 x 5mm	no	<300
J	ISO M3 x 5mm	yes	<300
M <sup>19</sup>	ISO M3 x 5mm	yes	≥300

**11 AGENCY APPROVAL**

C	UL Recognized & CSA Accepted
D	VDE Certified, UL Recognized & CSA Accepted
E	TUV Certified, UL Recognized & CSA Accepted
H	UL489 Construction: VDE Certified, UL Recognized & CSA Accepted
I	UL Rec. STD 1077, UL Rec. 1500 (ignition protected), & CSA Accepted
L	UL489 Construction: UL Recognized & CSA Accepted
R	UL489 Construction: TUV Certified, UL Recognized & CSA Accepted

**C C 3 - B 0 - 14 - 450 - 1 2 A - K G**

1 Series    2 Actuator    3 Poles    4 Circuit    5 Aux/Alarm Switch    6 Frequency & Delay    7 Current Rating    8 Terminal    9 Actuator Color    10 Mounting/Barriers    11 Max. App. Rating    12 Agency Approval

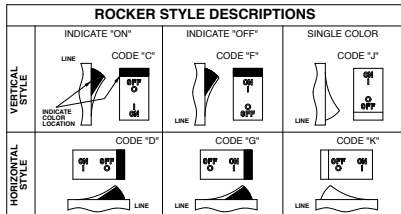
**1 SERIES**

**C**

**2 ACTUATOR<sup>1</sup>**

**Two Color Visi-Rocker**

**C** Indicate ON, vertical legend    **Single color**  
**D** Indicate ON, horizontal legend    **J** Vertical legend  
**F** Indicate OFF, vertical legend    **K** Horizontal legend  
**G** Indicate OFF, horizontal legend



**3 POLES<sup>1</sup>**

**1** One    **2** Two    **3** Three

**4 CIRCUIT**

**B** Series Trip (current)

**5 AUXILIARY/ALARM SWITCH<sup>2</sup>**

**0** without Aux Switch    **6** S.P.S.T., 0.139 Solder Lug  
**2** S.P.D.T., 0.110 Q.C. Term.    **8** S.P.S.T., 0.187 Q.C. Term.  
**3** S.P.D.T., 0.139 Solder Lug    **9** S.P.D.T., 0.187 Q.C. Term.  
**4** S.P.D.T., 0.110 Q.C. Term. (Gold Contacts)

**6 FREQUENCY & DELAY**

**11** DC Ultra Short    **26** 50/60Hz Long  
**12** DC Short    **42<sup>8</sup>** 50/60Hz Short, Hi-Inrush  
**14** DC Medium    **44<sup>8</sup>** 50/60Hz Medium, Hi-Inrush  
**16** DC Long    **46<sup>8</sup>** 50/60Hz Long, Hi-Inrush  
**21** 50/60Hz Ultra Short    **52<sup>8</sup>** DC Short, Hi-Inrush  
**22** 50/60Hz Short    **54<sup>8</sup>** DC Medium, Hi-Inrush  
**24** 50/60Hz Medium    **56** DC Long, Hi-Inrush

**Notes:**

- Multi-pole breakers have all breakers identical except when specifying Aux. switch and/or mixed poles, and have one rocker per breaker.
- On multi-pole breakers, one aux. switch is supplied, mounted in the extreme right pole.
- Available up to 50 amps maximum.
- Current ratings 71 - 100 with VDE approvals are available up to two poles maximum.
- Terminal Code 1 available to 60 amps maximum.
- Terminal Codes 2, 4, 5 & C available to 50 amps maximum.
- Terminal Codes 3, 6, 9 & A available to 100 amps maximum.
- Terminal Codes 9 & C are not VDE approved.
- Color shown is visi and legend with remainder of rocker black
- Dual = ON-OFF/I-O legend on actuator.
- VDE and TUV approval requires Dual (I-O, ON-OFF) markings on rocker.
- Rockerguard available with all actuator codes.
- Barriers supplied on multi-pole units only.
- 2 & 3 pole circuit breakers required for 120/240 AC rating.

**7 CURRENT RATING (AMPERES)<sup>4</sup>**

CODE	AMPERES	CODE	AMPERES	CODE	AMPERES	CODE	AMPERES
210	0.100	295	0.950	470	7.000	618	18.000
215	0.150	410	1.000	475	7.500	620	20.000
220	0.200	512	1.250	480	8.000	622	22.000
225	0.250	415	1.500	485	8.500	624	24.000
230	0.300	517	1.750	490	9.000	625	25.000
235	0.350	420	2.000	495	9.500	630	30.000
240	0.400	522	2.250	610	10.000	635	35.000
245	0.450	425	2.500	710	10.500	640	40.000
250	0.500	527	2.750	611	11.000	650	50.000
255	0.550	430	3.000	711	11.500	660	60.000
260	0.600	435	3.500	612	12.000	670	70.000
265	0.650	440	4.000	712	12.500	680	80.000
270	0.700	445	4.500	613	13.000	685	85.000
275	0.750	450	5.000	614	14.000	690	90.000
280	0.800	455	5.500	615	15.000	695	95.000
285	0.850	460	6.000	616	16.000	810	100.000
290	0.900	465	6.500	617	17.000		

**8 TERMINAL**

**1<sup>5</sup>** Stud 10-32    **6<sup>7</sup>** Stud M6  
**2<sup>6</sup>** Screw 10-32 w/saddle & washer clamps    **9<sup>7,8</sup>** 7/16" Clip Terminal  
**3<sup>7</sup>** Stud 1/4-20    **A<sup>7,8</sup>** Plug-In Stud  
**4<sup>6</sup>** Stud M5 x 0.8    **C<sup>6,8</sup>** 5/16" Clip Terminal  
**5<sup>6</sup>** Screw M5 x 0.8 w/saddle & washer clamps

**9 ACTUATOR COLOR & LEGEND<sup>11</sup>**

Actuator or		Marking Color:		Marking Color:	
Color:	ON-OFF	Dual <sup>10</sup>	Single Color	Rockers/Handle	Visi-Rocker
White	<b>B</b>	<b>1</b>	Black	Black	White
Black	<b>D</b>	<b>2</b>	White	White	n/a
Red	<b>G</b>	<b>3</b>	White	White	Red
Green	<b>J</b>	<b>4</b>	White	White	Green
Blue	<b>L</b>	<b>5</b>	White	White	Blue
Yellow	<b>N</b>	<b>6</b>	Black	Black	Yellow
Gray	<b>Q</b>	<b>7</b>	Black	Black	Gray
Orange	<b>S</b>	<b>8</b>	Black	Black	Orange

**10 MOUNTING/BARRIERS<sup>12</sup>**

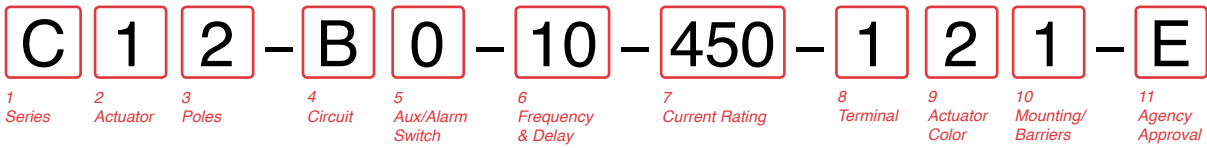
	Standard Rocker Bezel Threaded Insert, 2 per pole	BARRIERS <sup>13</sup>
<b>A</b>	6-32 X 0.195 inches	yes
<b>C</b>	ISO M3 x 5mm	yes
	<b>Rockerguard Bezel Threaded Insert, 2 per pole</b>	
<b>B</b>	6-32 x 0.195 inches	yes
<b>D</b>	ISO M3 x 5mm	yes

**11 MAXIMUM APPLICATION RATING**

**A** 65 DC  
**B** 125 DC  
**C** 120/240 AC<sup>14</sup>  
**D** 240 AC  
**F** 277 AC  
**K** 120 AC  
**M** 80 DC

**12 AGENCY APPROVAL**

**A** without approvals  
**F** UL 489 Listed, CSA Certified, & VDE Certified  
**G** UL 489 Listed & CSA Certified  
**J** UL489 Listed, CSA Certified & TUV Certified



**1 SERIES**  
**C**

**2 ACTUATOR<sup>1</sup>**  
**Two Color Visi-Rocker**  
 1 Indicate OFF, vertical legend  
 2 Indicate OFF, horizontal legend  
**Single color**  
 3 Vertical legend  
 4 Horizontal legend  
**Push-To-Reset, Visi-Rocker**  
 5 Indicate OFF, vertical legend  
 6 Indicate OFF, horizontal legend  
**Push-To-Reset, Single color**  
 7 Vertical legend  
 8 Horizontal legend

**ROCKER STYLE DESCRIPTIONS**

	INDICATE "OFF"	SINGLE COLOR
VERTICAL STYLE	CODE "1", "5" 	CODE "3", "7" 
HORIZONTAL STYLE	CODE "2", "6" 	CODE "4", "8" 

**3 POLES<sup>2</sup>**  
 1 One 2 Two 3 Three

**4 CIRCUIT**

<b>A<sup>3</sup></b> Switch Only (No Coil)	<b>F<sup>4</sup></b> Relay Trip (Current)
<b>B</b> Series Trip (Current)	<b>G<sup>4</sup></b> Relay Trip (Voltage)
<b>C</b> Series Trip (Voltage)	<b>H<sup>4,5</sup></b> Dual Coil with Shunt Trip Voltage Coil
<b>D<sup>4</sup></b> Shunt Trip (Current)	<b>K<sup>4,5</sup></b> Dual Coil with Relay Trip Voltage Coil
<b>E<sup>4</sup></b> Shunt Trip (Voltage)	

**5 AUXILIARY/ALARM SWITCH<sup>6</sup>**

<b>0</b> without Aux Switch	<b>6</b> S.P.D.T., 0.110 Q.C. Term.
<b>2</b> S.P.D.T., 0.110 Q.C. Term.	<b>8</b> S.P.S.T., 0.187 Q.C. Term.
<b>3</b> S.P.D.T., 0.139 Solder Lug	<b>9</b> S.P.D.T., 0.187 Q.C. Term.
<b>4</b> S.P.D.T., 0.110 Q.C. Term. (Gold Contacts)	

**6 FREQUENCY & DELAY**

<b>03</b> DC 50/60Hz, Switch Only	<b>30</b> DC 50/60Hz Instantaneous
<b>10<sup>7</sup></b> DC Instantaneous	<b>31</b> DC 50/60Hz Ultra Short
<b>11</b> DC Ultra Short	<b>32</b> DC 50/60Hz Short
<b>12</b> DC Short	<b>34</b> DC 50/60Hz Medium
<b>14</b> DC Medium	<b>36</b> DC 50/60Hz Long
<b>16</b> DC Long	<b>42<sup>8</sup></b> 50/60Hz Short, Hi-Inrush
<b>20<sup>7</sup></b> 50/60Hz Instantaneous	<b>44<sup>8</sup></b> 50/60Hz Medium, Hi-Inrush
<b>21</b> 50/60Hz Ultra Short	<b>46<sup>8</sup></b> 50/60Hz Long, Hi-Inrush
<b>22</b> 50/60Hz Short	<b>52<sup>8</sup></b> DC Short, Hi-Inrush
<b>24</b> 50/60Hz Medium	<b>54<sup>8</sup></b> DC Medium, Hi-Inrush
<b>26</b> 50/60Hz Long	<b>56<sup>8</sup></b> DC Long, Hi-Inrush

- Notes:
- Push-to-reset actuators have OFF portion of rocker shrouded.
  - Multi-pole breakers have all poles identical except when specifying Aux. switch and/or mixed poles, and have one rocker per breaker. Rocker location as viewed from front panel: 2 pole – left pole; 3 pole – center pole.
  - Switch Only circuits, rated up to 50 amps and 3 poles, and only available with VDE Certification when tied to a protected pole (Circuit Code B, C, D or H.). For .02 to 30 amps, select Current Code 630. For 35 - 50 amps, select Current Code 650. For 55-70 amps, select Current Code 670. For 75-100 amps, select Current Code 810. Circuit Codes D,E,F,G,H & K available with Terminal Codes 1,2,4 & 5 only. Circuit Codes D,F,H & K available up to 50 amps maximum Current Rating.
  - Consult factory for available Dual Coil options, as special catalog number is required. Dual Coil Voltage Coils with Shunt Trip Construction trip instantaneously on line voltage. Dual Coil Voltage Coils require 30VA minimum power to trip instantaneously and are rated for intermittent duty only.
  - Auxiliary Switch available with Series Trip and Switch Only circuits. On multi-pole breakers, one aux. switch is supplied, mounted in the extreme right pole. Auxiliary switch codes 2, 3 & 4 are VDE approved.
  - Voltage coils not rated for continuous duty. Available only with delay codes 10 and 20.
  - Available with Circuit Codes B & D only, and up to 50 amps maximum.
  - Current ratings 80-70 are available up to four poles maximum. Current ratings 71 - 100 are available up to two poles maximum.
  - Terminal Code 1 available to 60 amps maximum.
  - Terminal Codes 2,4,5 & C available to 50 amps maximum.
  - Terminal Codes 3,6 & 9 available to 100 amps maximum.
  - Terminal Code 7 available to 25 amps maximum.
  - Terminal Code A available to 100 amps maximum.
  - Terminal Codes 7, 9 & C are not VDE approved.
  - Color shown is visi & legend with remainder of rocker black. Dual = ON-OFF/I-O legend.
  - Legend on Push-to-reset bezel/shroud is white with single color actuator codes 7 & 8. Legend on Push-to-reset bezel/shroud matches visi-color of rocker with actuator codes 5 & 6.
  - VDE/TUV approval requires Dual (I-O, ON-OFF) or I-O markings on rocker.
  - VDE/TUV: 30 amps max.; UL/CSA: 50 amps max.; Available in 2 & 3 poles only and limited to AC Delays. "General Purpose amps" not rated for "full load amps" or to be used in applications with a motor.
  - Recessed "OFF SIDE" available with actuator codes 1,2,3&4. Legends on rocker are available in ink stamping only.

**7 CURRENT RATING (AMPERES)<sup>9</sup>**

<b>020</b> 0.020	<b>235</b> 0.350	<b>430</b> 3.000	<b>614</b> 14.000
<b>025</b> 0.025	<b>240</b> 0.400	<b>435</b> 3.500	<b>615</b> 15.000
<b>030</b> 0.030	<b>245</b> 0.450	<b>440</b> 4.000	<b>616</b> 16.000
<b>035</b> 0.035	<b>250</b> 0.500	<b>445</b> 4.500	<b>617</b> 17.000
<b>040</b> 0.040	<b>255</b> 0.550	<b>450</b> 5.000	<b>618</b> 18.000
<b>045</b> 0.045	<b>260</b> 0.600	<b>455</b> 5.500	<b>620</b> 20.000
<b>050</b> 0.050	<b>265</b> 0.650	<b>460</b> 6.000	<b>622</b> 22.000
<b>055</b> 0.055	<b>270</b> 0.700	<b>465</b> 6.500	<b>624</b> 24.000
<b>060</b> 0.060	<b>275</b> 0.750	<b>470</b> 7.000	<b>625</b> 25.000
<b>065</b> 0.065	<b>280</b> 0.800	<b>475</b> 7.500	<b>630</b> 30.000
<b>070</b> 0.070	<b>285</b> 0.850	<b>480</b> 8.000	<b>635</b> 35.000
<b>075</b> 0.075	<b>290</b> 0.900	<b>485</b> 8.500	<b>640</b> 40.000
<b>080</b> 0.080	<b>295</b> 0.950	<b>490</b> 9.000	<b>650</b> 50.000
<b>085</b> 0.085	<b>410</b> 1.000	<b>495</b> 9.500	<b>660<sup>9</sup></b> 60.000
<b>090</b> 0.090	<b>512</b> 1.250	<b>610</b> 10.000	<b>670<sup>9</sup></b> 70.000
<b>095</b> 0.095	<b>415</b> 1.500	<b>710</b> 10.500	<b>680<sup>9</sup></b> 80.000
<b>210</b> 0.100	<b>517</b> 1.750	<b>611</b> 11.000	<b>685<sup>9</sup></b> 85.000
<b>215</b> 0.150	<b>420</b> 2.000	<b>711</b> 11.500	<b>690<sup>9</sup></b> 90.000
<b>220</b> 0.200	<b>522</b> 2.250	<b>612</b> 12.000	<b>695<sup>9</sup></b> 95.000
<b>225</b> 0.250	<b>425</b> 2.500	<b>712</b> 12.500	<b>810<sup>9</sup></b> 100.000
<b>230</b> 0.300	<b>527</b> 2.750	<b>613</b> 13.000	

**VOLTAGE COIL (NOMINAL RATED VOLTAGE)<sup>7</sup>**

<b>A06</b> 6DC	<b>A32</b> 32DC	<b>J12</b> 12AC	<b>J65</b> 65AC
<b>A12</b> 12DC	<b>A48</b> 48DC	<b>J18</b> 18AC	<b>K20</b> 120AC
<b>A18</b> 18DC	<b>A65</b> 65DC	<b>J24</b> 24AC	<b>L40</b> 240AC
<b>A24</b> 24DC	<b>J06</b> 6AC	<b>J48</b> 48AC	

**8 TERMINAL**

<b>1<sup>10</sup></b> Stud 10-32	<b>6<sup>12</sup></b> Stud M6
<b>2<sup>11</sup></b> Screw 10-32	<b>7<sup>13</sup></b> 0.250 Double Quick Connect
<b>3<sup>12</sup></b> Stud 1/4-20	<b>9<sup>15</sup></b> 7/16" Clip Terminal
<b>4<sup>11</sup></b> Stud M5 x 0.8	<b>A<sup>14</sup></b> Plug-In Stud
<b>5<sup>11</sup></b> Screw M5 x 0.8	<b>C<sup>15</sup></b> 5/16" Clip Terminal

**9 ACTUATOR COLOR & LEGEND<sup>16,17,18</sup>**

Actuator or Visi-Color		Marking:		Marking Color:	
Color:	I-O	ON-OFF	Dual/None	Single Color Rocker/Handle	Visi-Rocker
White	<b>A</b>	<b>B</b>	<b>1</b>	Black	White
Black	<b>C</b>	<b>D</b>	<b>2</b>	White	n/a
Red	<b>F</b>	<b>G</b>	<b>3</b>	White	Red
Green	<b>H</b>	<b>J</b>	<b>4</b>	White	Green
Blue	<b>K</b>	<b>L</b>	<b>5</b>	White	Blue
Yellow	<b>M</b>	<b>N</b>	<b>6</b>	Black	Yellow
Gray	<b>P</b>	<b>Q</b>	<b>7</b>	Black	Gray
Orange	<b>R</b>	<b>S</b>	<b>8</b>	Black	Orange

**10 MOUNTING/BARRIERS<sup>1</sup>**

	STANDARD ROCKER BEZEL	BARRIERS	VOLTAGE
<b>1</b>	6-32 x 0.195 inches	no	<300
<b>2</b>	6-32 x 0.195 inches	yes	<300
<b>3<sup>19</sup></b>	6-32 x 0.195 inches	yes	≥300
<b>4</b>	ISO M3 x 5mm	no	<300
<b>5</b>	ISO M3 x 5mm	yes	<300
<b>6<sup>19</sup></b>	ISO M3 x 5mm	yes	≥300
RECESSED OFF ROCKER			
<b>7</b>	6-32 x 0.195 inches	no	<300
<b>8</b>	6-32 x 0.195 inches	yes	<300
<b>9</b>	6-32 x 0.195 inches	yes	≥300
<b>A</b>	ISO M3 x 5mm	no	<300
<b>C</b>	ISO M3 x 5mm	yes	<300
<b>E</b>	ISO M3 x 5mm	yes	≥300
PUSH-TO-RESET BEZEL			
<b>B</b>	6-32 x 0.195 inches	no	<300
<b>D</b>	6-32 x 0.195 inches	yes	<300
<b>F<sup>19</sup></b>	6-32 x 0.195 inches	yes	≥300
<b>H</b>	ISO M3 x 5mm	no	<300
<b>J</b>	ISO M3 x 5mm	yes	<300
<b>M<sup>19</sup></b>	ISO M3 x 5mm	yes	≥300

**11 AGENCY APPROVAL**

<b>C</b>	UL Recognized & CSA Accepted
<b>E</b>	TUV Certified, UL Recognized & CSA Accepted
<b>I</b>	UL Rec. STD 1077, UL Rec. 1500 (ignition protected), & CSA Accepted
<b>L</b>	UL489 Construction: UL Recognized & CSA Accepted
<b>R</b>	UL489 Construction: TUV Certified, UL Recognized & CSA Accepted

**C 1 2 - B 0 - 14 - 450 - 1 2 A - K G**

1 Series 2 Actuator 3 Poles 4 Circuit 5 Aux/Alarm Switch 6 Frequency & Delay 7 Current Rating 8 Terminal 9 Actuator Color 10 Mounting/Barriers 11 Max. App. Rating 12 Agency Approval

**1 SERIES**  
**C**

**2 ACTUATOR<sup>1</sup>**  
**Two Color Visi-Rocker**  
1 Indicate OFF, vertical legend  
2 Indicate OFF, horizontal legend  
**Single color**  
3 Vertical legend  
4 Horizontal legend  
**Push-To-Reset, Visi-Rocker**  
5 Indicate OFF, vertical legend  
6 Indicate OFF, horizontal legend  
**Push-To-Reset, Single color**  
7 Vertical legend  
8 Horizontal legend

ROCKER STYLE DESCRIPTIONS			
	INDICATE "OFF"		SINGLE COLOR
VERTICAL STYLE			
	CODE "1", "5"	CODE "3", "7"	
HORIZONTAL STYLE			
	CODE "2", "6"	CODE "4", "8"	

**3 POLES<sup>2</sup>**  
1 One 2 Two 3 Three

**4 CIRCUIT**  
**B** Series Trip (current)

**5 AUXILIARY/ALARM SWITCH<sup>2</sup>**  
0 without Aux Switch  
2 S.P.D.T., 0.110 Q.C. Term.  
3 S.P.D.T., 0.139 Solder Lug  
4 S.P.D.T., 0.110 Q.C. Term. (Gold Contacts)  
6 S.P.S.T., 0.139 Solder Lug  
8 S.P.S.T., 0.187 Q.C. Term.  
9 S.P.D.T., 0.187 Q.C. Term.

**6 FREQUENCY & DELAY**

11 DC Ultra Short	26	50/60Hz Long
12 DC Short	42 <sup>4</sup>	50/60Hz Short, Hi-Inrush
14 DC Medium	44 <sup>4</sup>	50/60Hz Medium, Hi-Inrush
16 DC Long	46 <sup>4</sup>	50/60Hz Long, Hi-Inrush
21 50/60Hz Ultra Short	52 <sup>4</sup>	DC Short, Hi-Inrush
22 50/60Hz Short	54 <sup>4</sup>	DC Medium, Hi-Inrush
24 50/60Hz Medium	56 <sup>4</sup>	DC Long, Hi-Inrush

**7 CURRENT RATING (AMPERES)<sup>5</sup>**

CODE	AMPERES				
210	0.100	295	0.950	470	7.000
215	0.150	410	1.000	475	7.500
220	0.200	512	1.250	480	8.000
225	0.250	415	1.500	485	8.500
230	0.300	517	1.750	490	9.000
235	0.350	420	2.000	495	9.500
240	0.400	522	2.250	610	10.000
245	0.450	425	2.500	710	10.500
250	0.500	527	2.750	611	11.000
255	0.550	430	3.000	711	11.500
260	0.600	435	3.500	612	12.000
265	0.650	440	4.000	712	12.500
270	0.700	445	4.500	613	13.000
275	0.750	450	5.000	614	14.000
280	0.800	455	5.500	615	15.000
285	0.850	460	6.000	616	16.000
290	0.900	465	6.500	617	17.000

**8 TERMINAL**  
17 Stud 10-32  
28 Screw 10-32  
39 Stud 1/4-20  
48 Stud M5 x 0.8  
58 Screw M5 x 0.8  
69 Stud M6  
99,10 7/16" Clip Terminal  
A9 Plug-In Stud  
C8,10 5/16" Clip Terminal

**9 ACTUATOR COLOR & LEGEND<sup>12</sup>**

Actuator or Visi-Color	Marking:	Dual <sup>11</sup>	Marking Color:	Single Color	Rocker/Handle	Visi-Rocker
White	B	1	Black	Black	White	White
Black	D	2	White	White	n/a	n/a
Red	G	3	White	White	Red	Red
Green	J	4	White	White	Green	Green
Blue	L	5	White	White	Blue	Blue
Yellow	N	6	Black	Black	Yellow	Yellow
Gray	Q	7	Black	Black	Gray	Gray
Orange	S	8	Black	Black	Orange	Orange

**10 MOUNTING/BARRIERS<sup>12</sup>**

	STANDARD ROCKER BEZEL Threaded Insert, 2 per pole	BARRIERS <sup>15</sup>
A	6-32 X 0.195 inches	yes
C	ISO M3 x 5mm	yes
	RECESSED OFF ROCKER <sup>14</sup> Threaded Insert, 2 per pole	
E	6-32 x 0.195 inches	yes
F	ISO M3 x 5mm	yes
	PUSH-TO-RESET BEZEL <sup>13</sup> Threaded Insert, 2 per pole	
B	6-32 x 0.195 inches	yes
D	ISO M3 x 5mm	yes

**11 MAXIMUM APPLICATION RATING**

A	65 DC
B	125 DC
C	120/240 AC <sup>16</sup>
D	240 AC
F	277 AC
K	120 AC
M	80 DC

**12 AGENCY APPROVAL**  
A without approvals  
G UL 489 Listed & CSA Certified  
J UL489 Listed, CSA Certified & TUV Certified

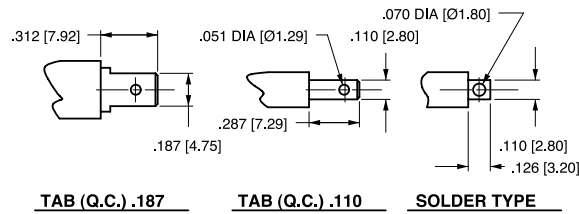
- Notes:
- Push-to-reset actuators have OFF portion of rocker shrouded.
- Multi-pole breakers have all breakers identical except when specifying Aux. switch and/or mixed poles, and have one rocker per breaker.
- On multi-pole breakers, one aux. switch is supplied, mounted in the extreme right pole.
- Available up to 50 amps maximum.
- Current ratings 71 - 100 with VDE approvals are available up to two poles maximum.
- Terminal Code 1 available to 60 amps maximum.
- Terminal Codes 2, 4, 5 & C available to 50 amps maximum.
- Terminal Codes 3, 6, 9 & A available to 100 amps maximum.
- Terminal Codes 9 & C are not VDE approved.
- Color shown is visi and legend with remainder of rocker black
- Dual = ON-OFF/I-O legend on actuator.
- VDE and TUV approval requires Dual (I-O, ON-OFF) markings on rocker.
- Legend on push-to-reset bezel/shroud is white when single color rocker is ordered. Legend on push-to-reset bezel/shroud matches visi-color of rocker with actuator codes
- 5 & 6.
- Recessed "OFF-SIDE" available with actuator codes 1, 2, 3, & 4. Legends on rocker are available in ink stamping only.
- Barriers supplied on multi-pole units only.
- Barriers supplied on multi-pole units only.
- 2 & 3 pole circuit breakers required for 120/240 AC rating.

DESCRIPTION	CODE	DIMENSIONAL DETAIL	RATING (AMPS)		
			25	50	100
#10-32 STUD	1				
M5 STUD	4				
#1/4-20 STUD	3				
M6 STUD	6				
#1/4-20 STUD	3				
M6 STUD	6				
#10-32 SCREW	2				
M-5 SCREW	5				

DESCRIPTION	CODE	DIMENSIONAL DETAIL	RATING (AMPS)		
			25	50	100
.250 DOUBLE Q.C.	7				
7/16" CLIP TERMINALS	9				
PUSH-IN STUD	A				

NOTES: TOLERANCE ON STUD LENGTHS IS ±.031 [±.79] UNLESS OTHERWISE SPECIFIED.

AUXILIARY / ALARM SWITCH TERMINAL DETAIL<sup>3</sup>



TIGHTENING TORQUE SPECIFICATIONS	
THREAD SIZE	TORQUE
#6-32 [M3] MOUNTING INSERTS	7-9 IN-LBS [0.8-1.0 NM]
#10-32 & M5 THD STUDS	15-20 IN-LBS [1.7-2.3 NM]
#10-32 THD SCREW	15-20 IN-LBS [1.7-2.3 NM]
#1/4-20 & M6 THD STUDS	30-35 IN-LBS [3.4-4.0 NM]

TERMINAL HARDWARE				
TERMINAL DESCRIPTION	CODE	AGENCY APPROVAL	AMPERE RATING	HARDWARE SUPPLIED
#10-32 STUD	1	ALL	.02 - 50	LOCK WASHER - FLAT WASHER - NUT
M5 STUD	4	ALL	.02 - 50	LOCK WASHER - FLAT WASHER - NUT
#1/4-20 STUD	3	ALL	.02 - 80	LOCK WASHER - FLAT WASHER - NUT
			81 - 100	LOCK WASHER - NUT - (2)FLAT WASHER - NUT
M6 STUD	6	ALL	.02 - 80	LOCK WASHER - FLAT WASHER - NUT
			81 - 100	LOCK WASHER - NUT - (2)FLAT WASHER - NUT
#10-32 SCREW	2 & 5	UL RECOGNIZED	.02 - 50	* SADDLE CLAMP - FLAT WASHER - SCREW
		UL-489 LISTED	.02 - 50	LOCK WASHER - FLAT WASHER - SCREW
		TUV & VDE CERTIFIED	.02 - 16	* SADDLE CLAMP - FLAT WASHER - SCREW
		TUV & VDE CERTIFIED	16.1 - 50	LOCK WASHER - FLAT WASHER - SCREW

\* THE SADDLE CLAMP IS FOR DIRECT WIRE CONNECTION USE. DISCARD SADDLE CLAMP IF WIRE TERMINAL LUG IS USED

Notes:

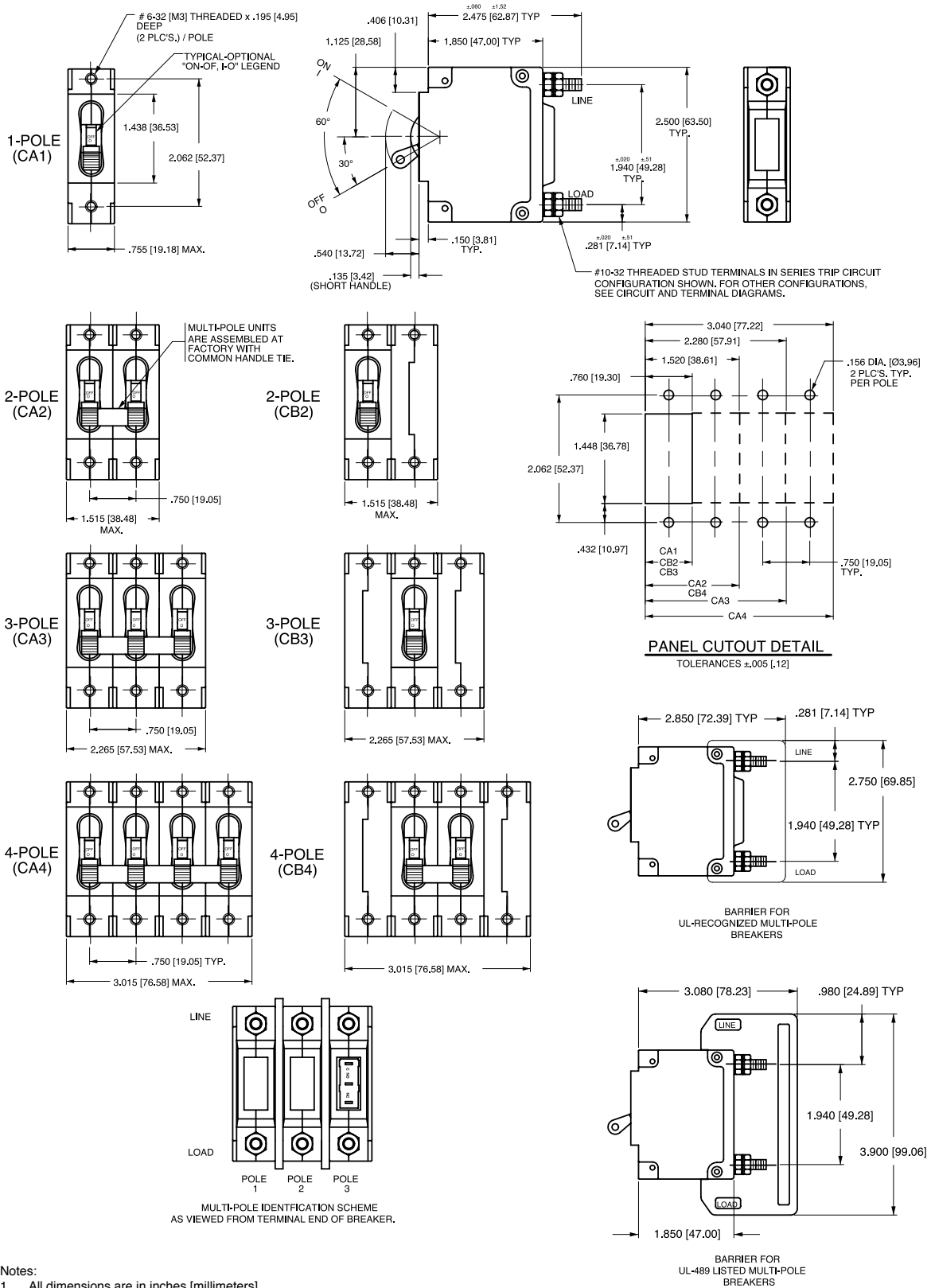
- 1 All dimensions are in inches [millimeters].
- 2 Tolerance ±.020 [.51] unless otherwise specified.
- 3 Available on Series Trip and Switch Only Circuits when called for on multi-pole units. Only one aux. switch is normally supplied, as viewed in mult-pole identification scheme.



	CIRCUIT SCHEMATIC		CIRCUIT CODE	AUX SWITCH CODE	CIRCUIT SCHEMATIC		CIRCUIT CODE	AUX SWITCH CODE				
	ANSI	IEC			ANSI	IEC						
	SWITCH ONLY (NO COIL)				SERIES TRIP							
	SWITCH ONLY (NO COIL) WITH AUXILIARY SWITCH		A	O	SERIES TRIP WITH AUXILIARY / ALARM SWITCH		B C	O				
	SHUNT TRIP				D E	0			DUAL COIL; SERIES TRIP CURRENT COIL, SHUNT TRIP VOLTAGE COIL		H	0
RELAY TRIP		DUAL COIL; SERIES TRIP CURRENT COIL, RELAY TRIP VOLTAGE COIL							F G	0		

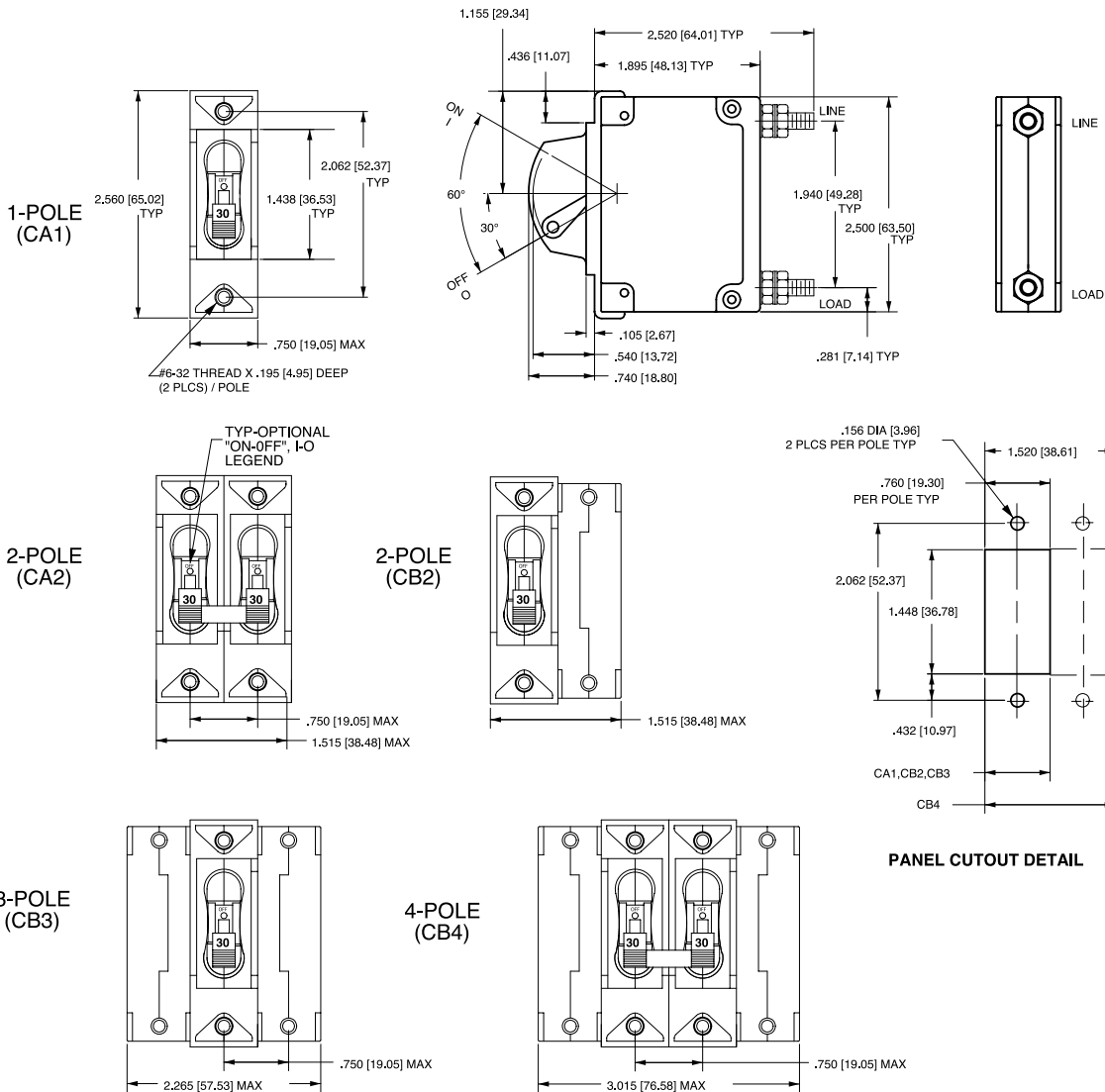
HANDLE POSITION VS. AUX/ALARM SWITCH MODE					
CIRCUIT BREAKER MODE	STANDARD C/B		MID TRIP C/B		
	HANDLE POSITION	AUX. SWITCH MODE	HANDLE POSITION	STANDARD ALARM SWITCH MODE	REVERSE ALARM SWITCH MODE <sup>4</sup>
OFF					
ON					
ELECTRICAL TRIP					

- Notes:
- All dimensions are in inches [millimeters].
  - Tolerance  $\pm 0.020$  [.51] unless otherwise specified.
  - Schematic shown represents current trip circuits.
  - Available only as special catalog number.

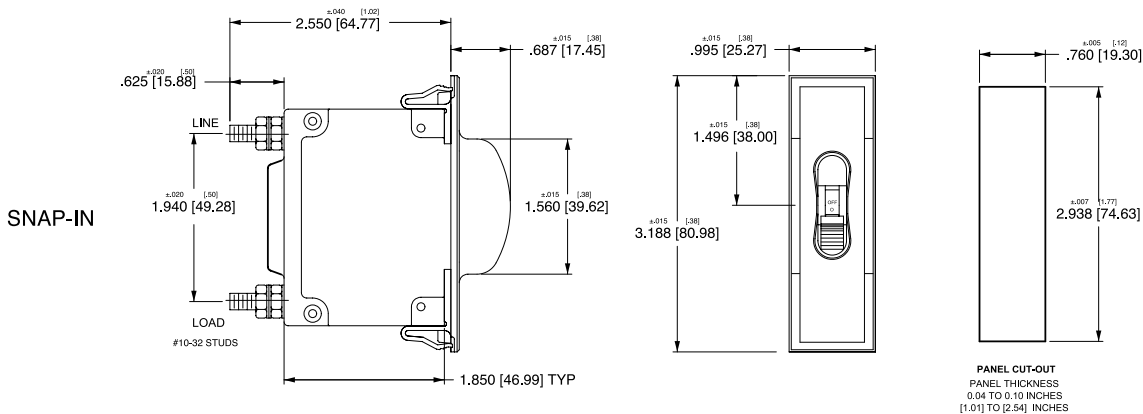


Notes:

- 1 All dimensions are in inches [millimeters].
- 2 Tolerance ±.020 [.51] unless otherwise specified.

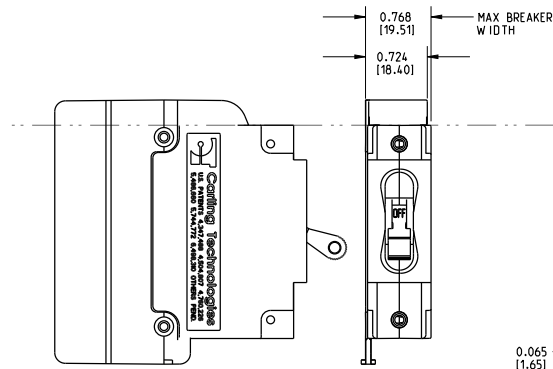


\*Handleguard available as special catalog number only

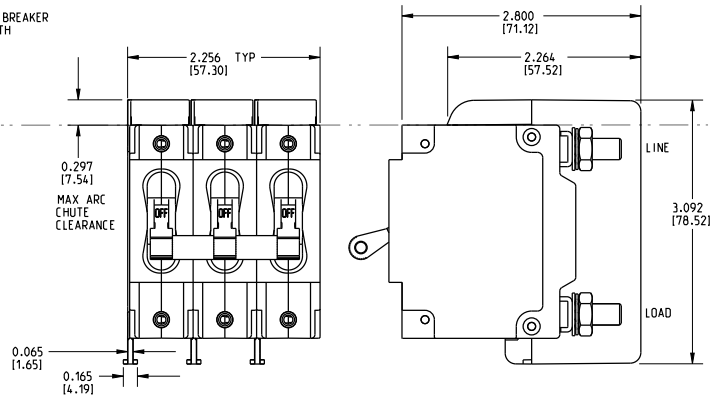


- Notes:  
 1 All dimensions are in inches [millimeters].  
 2 Tolerance  $\pm .020$  [.51] unless otherwise specified.

1-POLE (CA1)  
w/ ARC CHUTE BARRIER

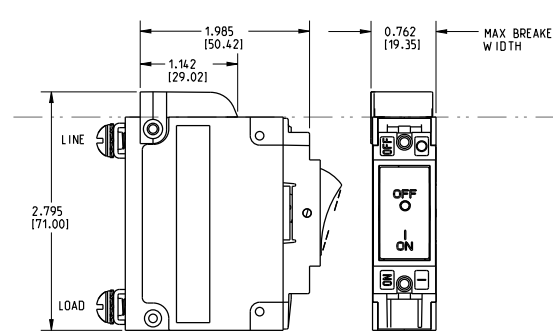


3-POLE (CA3)  
w/ ARC CHUTE BARRIER

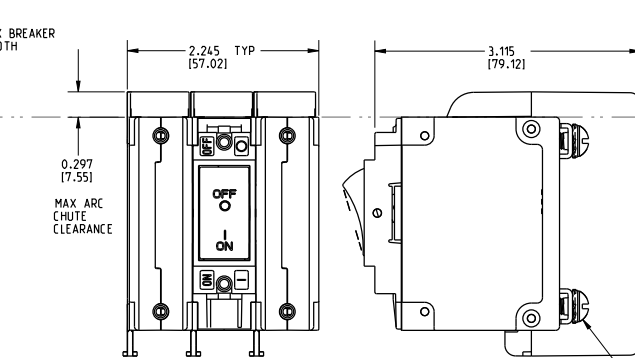


INDICATE "ON"

1-POLE (CC1,CD1)  
w/ ARC CHUTE (NO BARRIER)



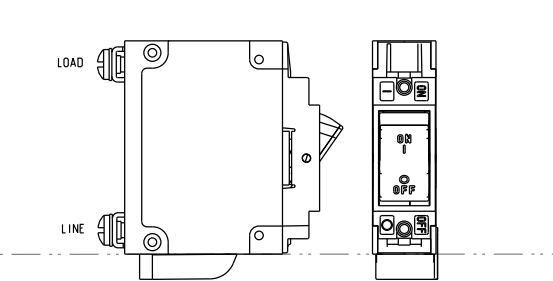
3-POLE (CC3,CD3)  
w/ ARC CHUTE BARRIER



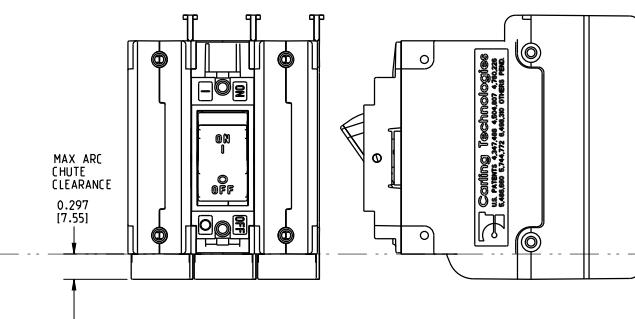
SCREW TYPE TERMINALS IN SERIES TRIP CIRCUIT CONFIGURATION SHOWN.

INDICATE "OFF" / SINGLE COLOR

1-POLE (CF1, CG1,C11,C21)  
w/ ARC CHUTE (NO BARRIER)



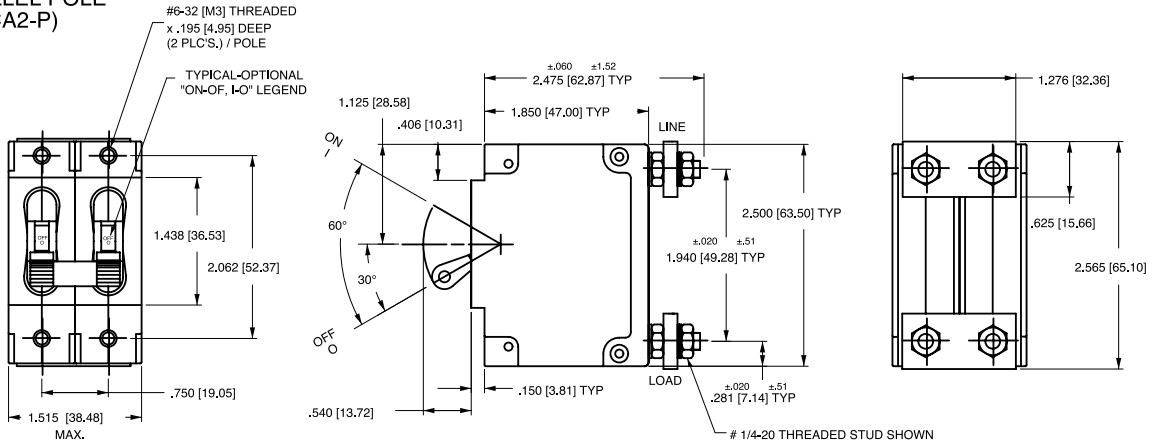
3-POLE (CF3,CG3,C13,C23)  
w/ ARC CHUTE BARRIER



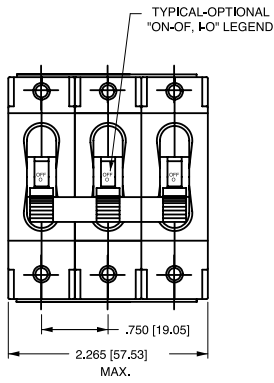
Notes:

- 1 Only 1-pole and 3-pole configurations shown. Arc chute (w/o barrier) and arc chute barrier also available for 2-pole construction.
- 2 Dimensions apply to all variations shown.
- 3 Notice that line and load terminal orientation for indicate on and indicate off rocker circuit breakers are opposite.
- 4 Screw type terminals shown for Rocker style (CF1, C11, etc) circuit breakers. For other terminal configurations see circuit and terminal diagrams.
- 5 All dimensions are in inches [millimeters].
- 6 Tolerance  $\pm .020$  unless otherwise specified.
- 7 Must be ordered under a special catalog number.

**PARALLEL POLE (CA2-P)**

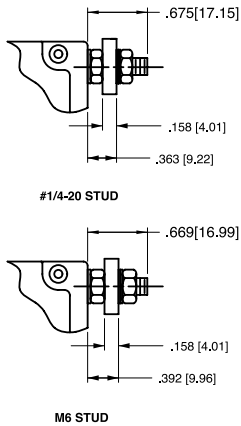
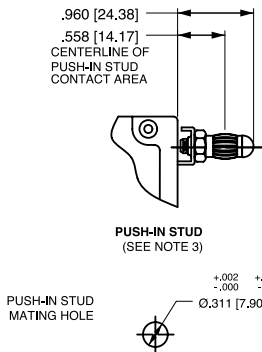


**PARALLEL POLE (CA3-P)**

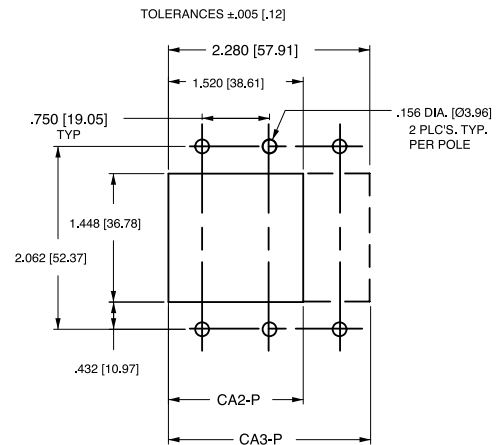


CIRCUIT BREAKER PROFILE	CIRCUIT SCHEMATIC (CA2-P SHOWN)		CIRCUIT CODE	AUX SWITCH CODE
	ANSI	IEC		
	<b>SERIES TRIP</b> 		P	0
	<b>SERIES TRIP WITH AUXILIARY SWITCH</b> 		P	2 3 4

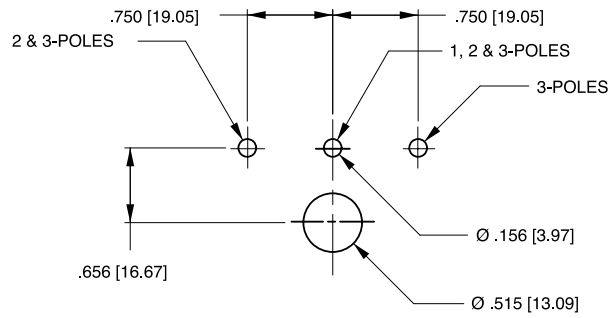
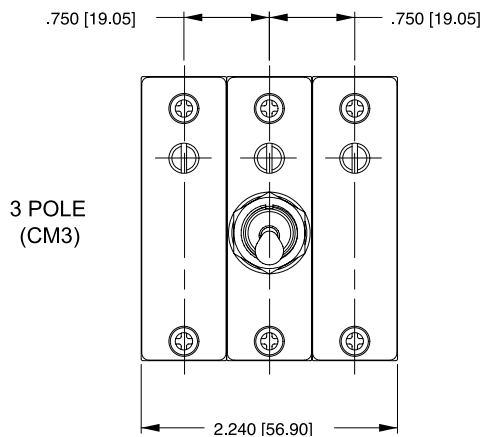
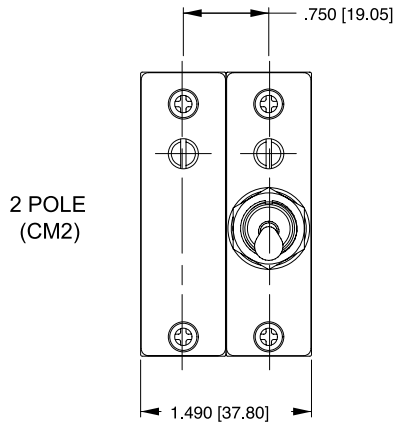
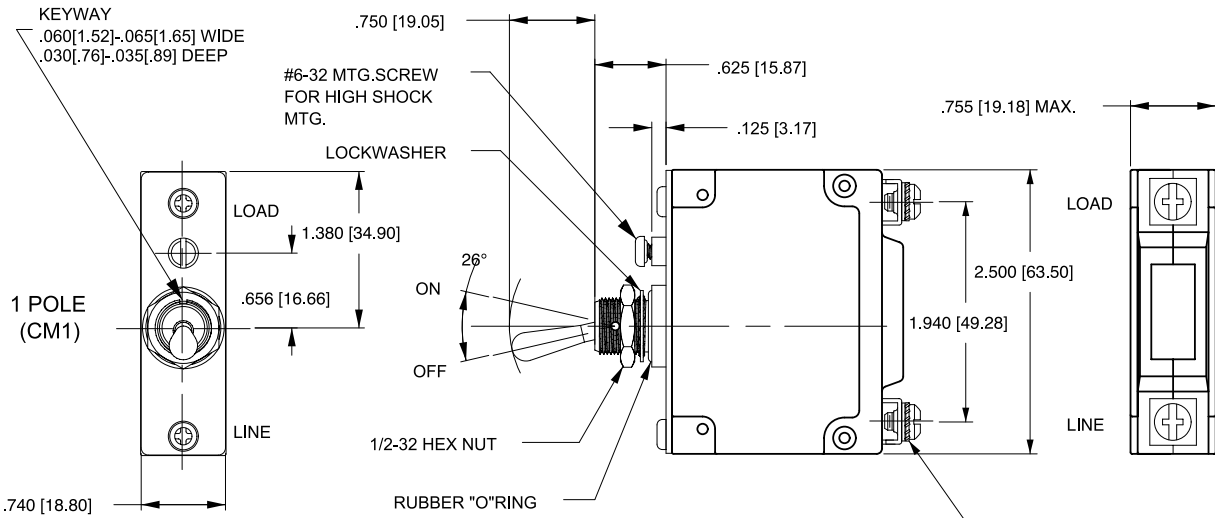
**TERMINAL DETAILS**



**PANEL CUTOUT DETAIL**



- Notes:  
 1 All dimensions are in inches [millimeters].  
 2 Tolerance  $\pm 0.02$  [.51] unless otherwise specified.

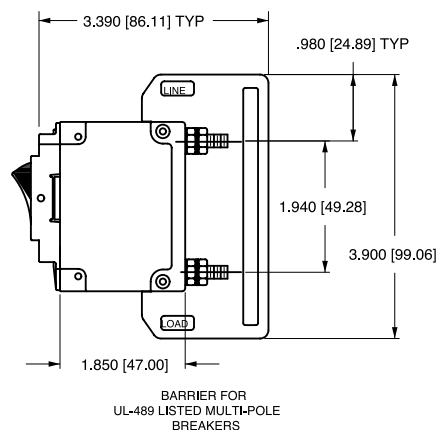
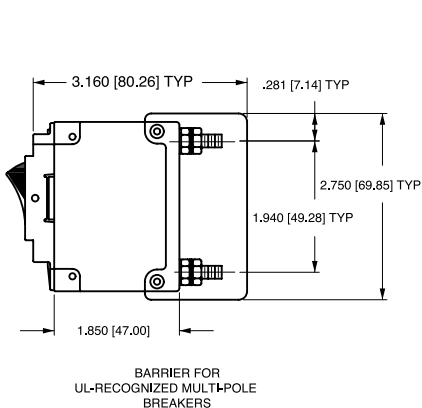


PANEL CUTOUT DETAIL  
TOLERANCES ±.005[.13]

Notes:

- 1 All dimensions are in inches [millimeters].
- 2 Tolerance ±.020 [.51] unless otherwise specified.

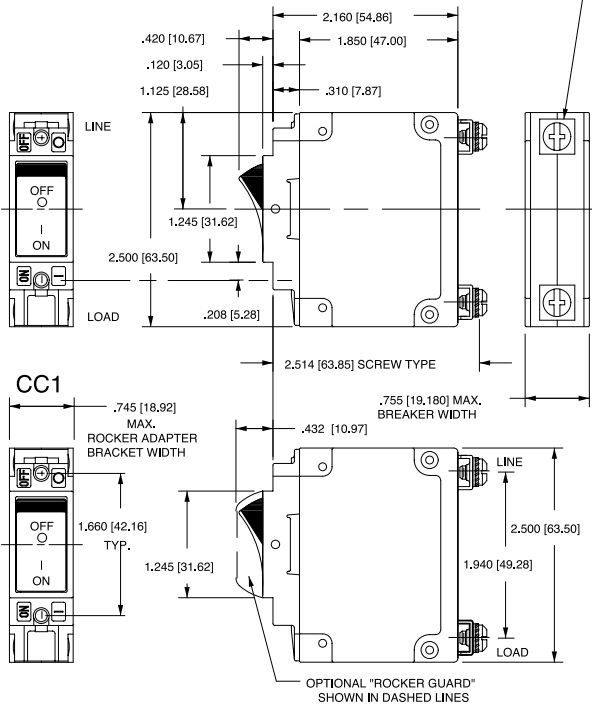
CIRCUIT BREAKER PROFILE	CIRCUIT SCHEMATIC		CIRCUIT CODE	TYPE SWITCH CODE	CIRCUIT SCHEMATIC		CIRCUIT CODE	AUX. SWITCH CODE
	ANSI	IEC			ANSI	IEC		
<p>2.160 [54.86] TYP</p> <p>LINE</p> <p>MAIN TERM'S. (SEE TABLE A)</p> <p>LOAD</p> <p>SERIES TRIP (2 TERM'S.)</p> <p>.625 [15.88] TYP</p>	<p>SWITCH ONLY (NO COIL)</p> <p>LINE</p> <p>LOAD</p> <p>LINE (NETZ)</p> <p>LOAD (LAST)</p>		A	0	<p>SWITCH TRIP</p> <p>LINE</p> <p>LOAD</p> <p>LINE (NETZ) (3)</p> <p>LOAD (LAST)</p>		BC	0
<p>.675 [17.15] TYP</p> <p>.970 [24.64]</p> <p>C</p> <p>NO</p> <p>NC</p> <p>1.265 [32.13]</p> <p>AUX. SWITCH TERM'S. (3 PLCS.)</p> <p>SERIES TRIP W/AUX. SWITCH (5 TERM'S.)</p>	<p>SWITCH ONLY (NO COIL) WITH AUXILIARY SWITCH</p> <p>LINE</p> <p>LOAD</p> <p>LINE (NETZ)</p> <p>LOAD (LAST)</p>		A	2 3 4	<p>SERIES TRIP WITH AUXILIARY SWITCH</p> <p>LINE</p> <p>LOAD</p> <p>LINE (NETZ) (3)</p> <p>LOAD (LAST)</p>		BC	2 3 4
<p>SHUNT TRIP (3 TERM'S.)</p>	<p>SHUNT TRIP</p> <p>LINE</p> <p>LOAD</p> <p>LINE (NETZ) (3)</p> <p>SHUNT (NEBENSCHLUSS)</p> <p>LOAD (LAST)</p>		DE	0	<p>DUAL COIL; SERIES TRIP CURRENT COIL, SHUNT TRIP VOLTAGE COIL</p> <p>LINE</p> <p>LOAD</p> <p>LINE (NETZ)</p> <p>LOAD (LAST)</p> <p>VOLTAGE COIL</p> <p>VOLTAGE COIL</p>		H	0
<p>.646 [16.41]</p> <p>1</p> <p>2</p> <p>3</p> <p>4</p> <p>.812 [20.62] TYP</p> <p>.646 [16.41] TYP</p> <p>SHUNT TRIP (4 TERM'S.)</p>	<p>RELAY TRIP</p> <p>LINE</p> <p>LOAD</p> <p>RELAY</p> <p>RELAY</p> <p>RELAY (RELAIS)</p> <p>RELAY (RELAIS)</p> <p>LINE (NETZ)</p> <p>LOAD (LAST)</p>		FG	0	<p>DUAL COIL; SERIES TRIP CURRENT COIL, RELAY TRIP VOLTAGE COIL</p> <p>LINE</p> <p>LOAD</p> <p>LINE (NETZ)</p> <p>LOAD (LAST)</p> <p>VOLTAGE COIL</p> <p>VOLTAGE COIL</p>		K	0



- Notes:
- All dimensions are in inches [millimeters].
  - Tolerance  $\pm .020$  [.51] unless otherwise specified.
  - Schematic shown represents current trip circuit.

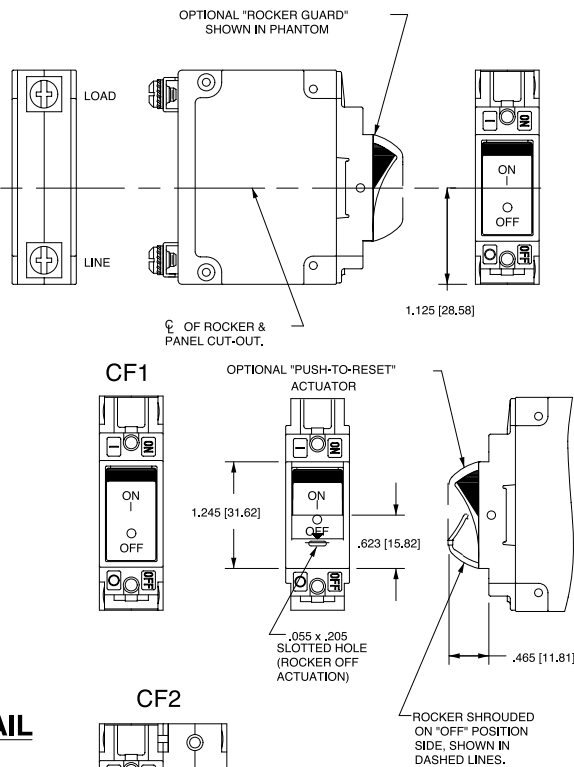
**INDICATE "ON"**

SCREW TYPE TERMINALS IN SERIES TRIP CIRCUIT CONFIGURATION SHOWN. FOR OTHER CONFIGURATIONS SEE CIRCUIT AND TERMINAL DIAGRAMS.

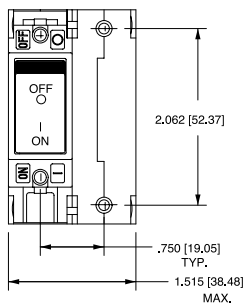


**INDICATE "OFF" & SINGLE COLOR**

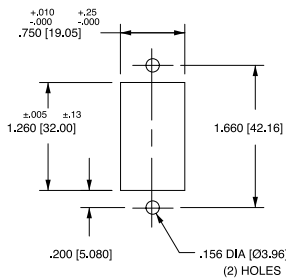
(INDICATE "OFF" SHOWN)



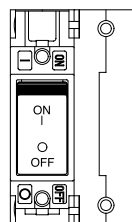
**CC2**



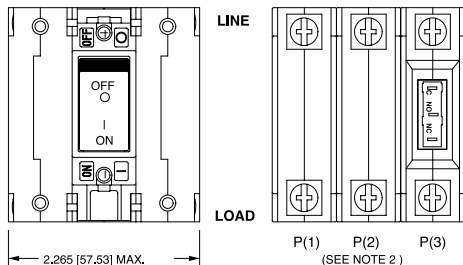
**PANEL CUT-OUT DETAIL**



**CF2**

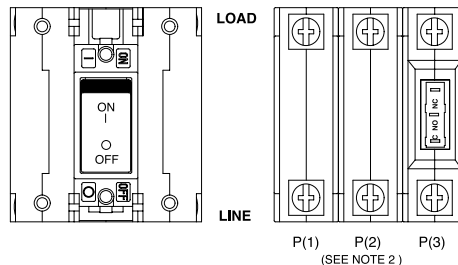


**CC3**



REAR VIEW OF INDICATE "ON" SERIES TRIP W/ AUX SWITCH CIRCUIT CONFIGURATION.

**CF3**



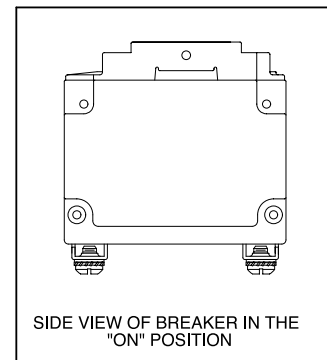
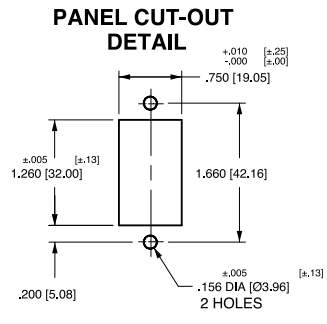
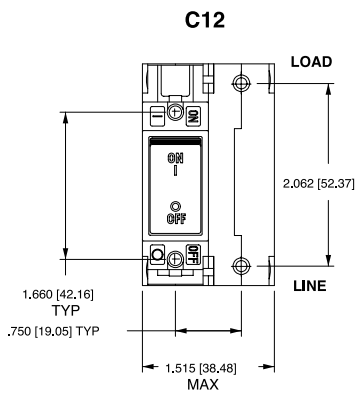
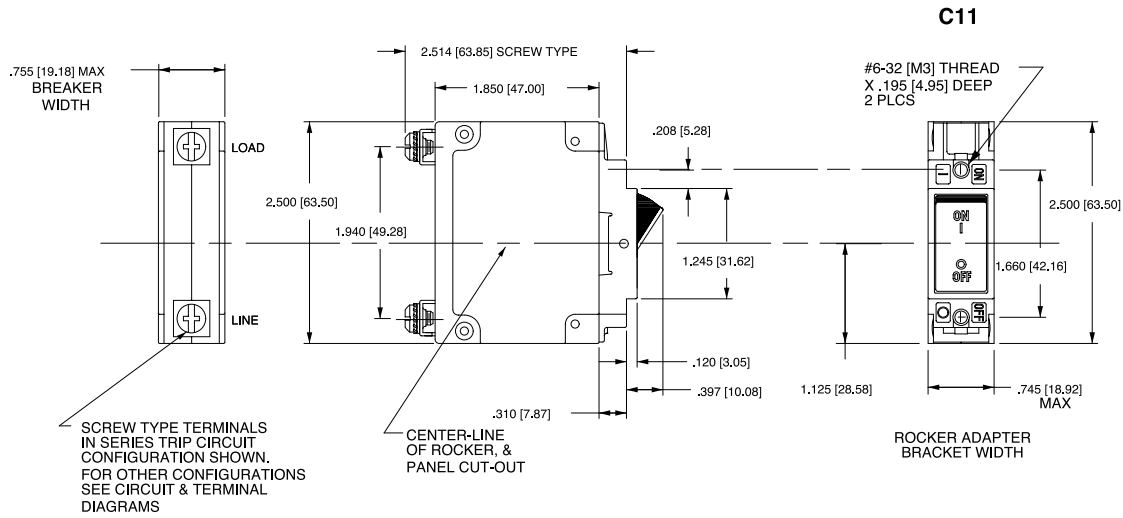
REAR VIEW OF INDICATE "OFF" SERIES TRIP W/ AUX SWITCH CIRCUIT CONFIGURATION.

**Notes:**

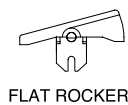
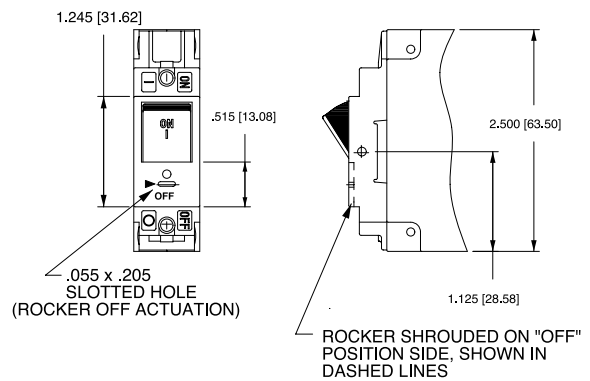
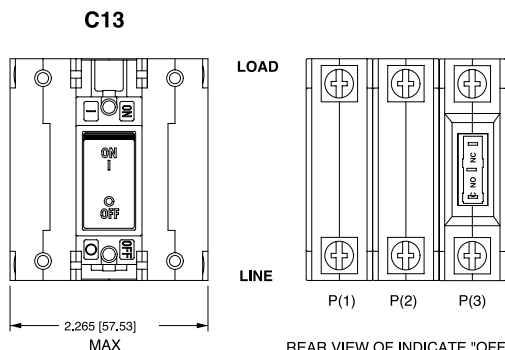
- 1 Dimensions apply to all variations shown. Notice that circuit breaker line and load terminal orientation on indicate OFF is opposite of indicate ON.
- 2 For pole orientation with horizontal legend, rotate front view clockwise 90°.
- 3 All dimensions are in inches [millimeters].
- 4 Tolerance ±.020 [.51] unless otherwise specified.



INDICATE "OFF" & SINGLE COLOR



**PUSH-TO-RESET ACTUATOR**

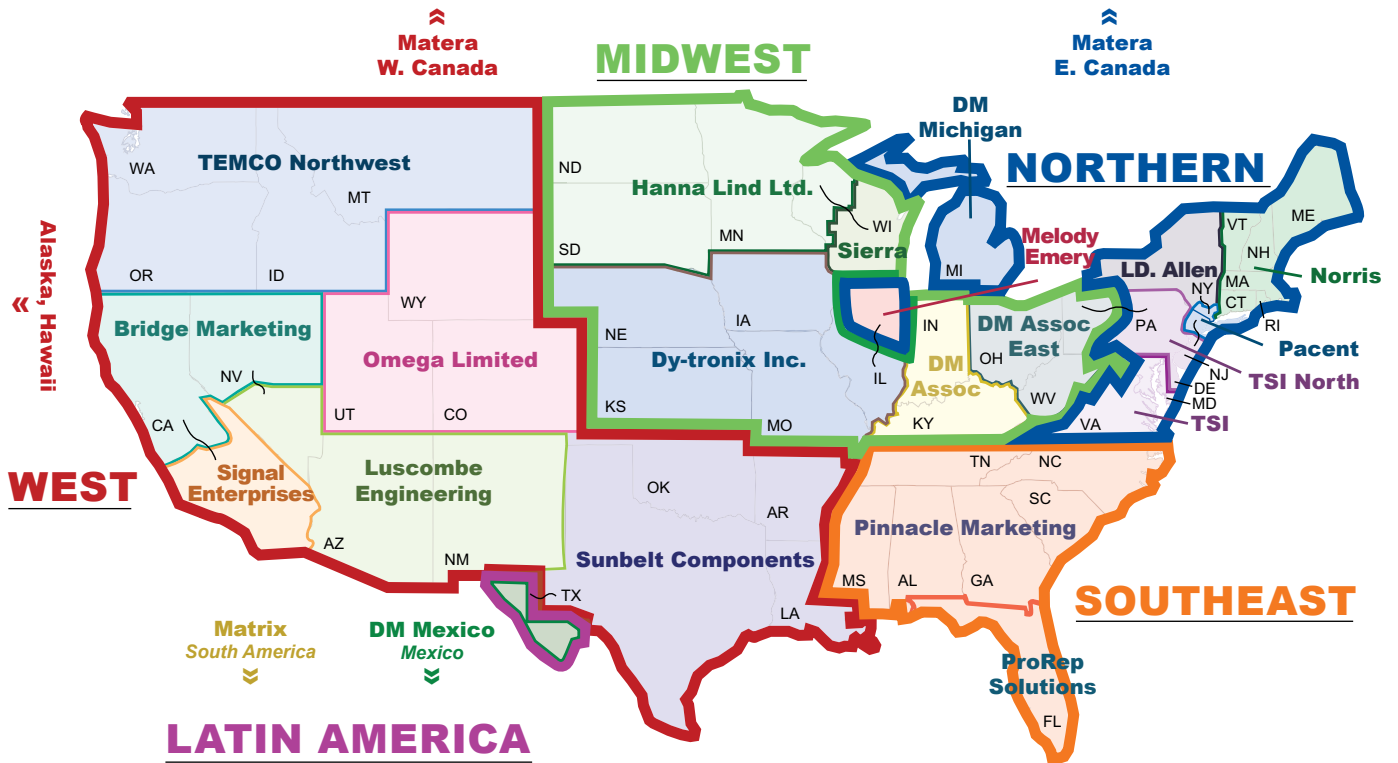


Notes:

- 1 For pole orientation with horizontal legend, rotate front view clockwise 90°.
- 2 All dimensions are in inches [millimeters].
- 3 Tolerance  $\pm .020$  [.51] unless otherwise specified.

### Authorized Sales Representatives

Click on the group name on the map below to find your local representative or visit [www.carlingtech.com/findarep](http://www.carlingtech.com/findarep).



Americas



Europe  
Middle East  
Africa



Asia-Pacific  
Oceania

### About Carling

Founded in 1920, Carling Technologies is a leading manufacturer of electrical and electronic switches and assemblies, circuit breakers, electronic controls, power distribution units, and multiplexed power distribution systems. With four ISO registered manufacturing facilities and technical sales offices worldwide, Carling Technologies Sales, Service and Engineering teams do much more than manufacture electrical components, they engineer powerful solutions! To learn more about Carling please visit [www.carlingtech.com/company-profile](http://www.carlingtech.com/company-profile).

To view all of Carling’s environmental, quality, health & safety certifications please visit [www.carlingtech.com/environmental-certifications](http://www.carlingtech.com/environmental-certifications)



## **Worldwide Headquarters**

Carling Technologies, Inc.  
60 Johnson Avenue, Plainville, CT 06062  
**Phone:** 860.793.9281 **Fax:** 860.793.9231  
**Email:** sales@carlingtech.com

**Northern Region Sales Office:** nrsm@carlingtech.com  
**Southeast Region Sales Office:** sersm@carlingtech.com  
**Midwest Region Sales Office:** mrrsm@carlingtech.com  
**West Region Sales Office:** wrsm@carlingtech.com  
**Latin America Sales Office:** larsm@carlingtech.com

## **Asia-Pacific Headquarters**

Carling Technologies, Asia-Pacific Ltd.,  
Kowloon, Hong Kong  
**Phone:** Int + 852-2737-2277 **Fax:** Int + 852-2736-9332  
**Email:** sales@carlingtech.com.hk

**Shenzhen, China:** shenzhen@carlingtech.com  
**Shanghai, China:** shanghai@carlingtech.com  
**Pune, India:** india@carlingtech.com  
**Kaohsiung, Taiwan:** taiwan@carlingtech.com  
**Yokohama, Japan:** japan@carlingtech.com

## **Europe | Middle East | Africa Headquarters**

Carling Technologies LTD  
4 Airport Business Park, Exeter Airport,  
Clyst Honiton, Exeter, Devon, EX5 2UL, UK  
**Phone:** Int + 44 1392.364422 **Fax:** Int + 44 1392.364477  
**Email:** ltd.sales@carlingtech.com

**Germany:** gmbh@carlingtech.com  
**France:** sas@carlingtech.com



**Carling Technologies™**

Innovative Designs. Powerful Solutions.

Компания «Океан Электроники» предлагает заключение долгосрочных отношений при поставках импортных электронных компонентов на взаимовыгодных условиях!

Наши преимущества:

- Поставка оригинальных импортных электронных компонентов напрямую с производств Америки, Европы и Азии, а так же с крупнейших складов мира;
- Широкая линейка поставок активных и пассивных импортных электронных компонентов (более 30 млн. наименований);
- Поставка сложных, дефицитных, либо снятых с производства позиций;
- Оперативные сроки поставки под заказ (от 5 рабочих дней);
- Экспресс доставка в любую точку России;
- Помощь Конструкторского Отдела и консультации квалифицированных инженеров;
- Техническая поддержка проекта, помощь в подборе аналогов, поставка прототипов;
- Поставка электронных компонентов под контролем ВП;
- Система менеджмента качества сертифицирована по Международному стандарту ISO 9001;
- При необходимости вся продукция военного и аэрокосмического назначения проходит испытания и сертификацию в лаборатории (по согласованию с заказчиком);
- Поставка специализированных компонентов военного и аэрокосмического уровня качества (Xilinx, Altera, Analog Devices, Intersil, Interpoint, Microsemi, Actel, Aeroflex, Peregrine, VPT, Syfer, Eurofarad, Texas Instruments, MS Kennedy, Miteq, Cobham, E2V, MA-COM, Hittite, Mini-Circuits, General Dynamics и др.);

Компания «Океан Электроники» является официальным дистрибьютором и эксклюзивным представителем в России одного из крупнейших производителей разъемов военного и аэрокосмического назначения «JONHON», а так же официальным дистрибьютором и эксклюзивным представителем в России производителя высокотехнологичных и надежных решений для передачи СВЧ сигналов «FORSTAR».



## JONHON

«JONHON» (основан в 1970 г.)

Разъемы специального, военного и аэрокосмического назначения:

(Применяются в военной, авиационной, аэрокосмической, морской, железнодорожной, горно- и нефтедобывающей отраслях промышленности)

«FORSTAR» (основан в 1998 г.)

ВЧ соединители, коаксиальные кабели,  
кабельные сборки и микроволновые компоненты:

(Применяются в телекоммуникациях гражданского и специального назначения, в средствах связи, РЛС, а так же военной, авиационной и аэрокосмической отраслях промышленности).



Телефон: 8 (812) 309-75-97 (многоканальный)

Факс: 8 (812) 320-03-32

Электронная почта: [ocean@oceanchips.ru](mailto:ocean@oceanchips.ru)

Web: <http://oceanchips.ru/>

Адрес: 198099, г. Санкт-Петербург, ул. Калинина, д. 2, корп. 4, лит. А