

## Dual CAN Flexible Data-Rate Transceiver

### Features

- Supports both “classic” CAN 2.0 and CAN FD physical layer requirements
- Optimized for CAN FD (Flexible Data-Rate) at 2, 5 and 8 Mbps Operation:
  - Maximum Propagation Delay: 120 ns
  - Loop Delay Symmetry: -10%/+10% (2 Mbps)
- Implements ISO-11898-2 and ISO-11898-5 Standard Physical Layer Requirements
- Very Low Standby Current (5  $\mu$ A per transceiver, typical)
- Two Fully Independent  $V_{DDX}$  and  $V_{SSX}$  Pins per CAN FD Transceiver for Added Flexibility and Reliability:
  - Optimal for redundant CAN networks
- Compatible to 5V MCUs
- Functional Behavior Predictable Under All Supply Conditions:
  - Device is in Unpowered mode if  $V_{DDX}$  drops below undervoltage level
  - An unpowered node or brown-out event will not load the CAN bus
- Detection of Ground Fault:
  - Permanent dominant detection on  $T_{XDX}$
  - Permanent dominant detection on bus
- Power-on Reset and Undervoltage Lock-out on  $V_{DDX}$  Pin
- Protection against Damage due to Short-Circuit Conditions (positive or negative battery voltage)
- Protection against High-Voltage Transients in Automotive Environments
- Automatic Thermal Shutdown Protection
- Suitable for 12V and 24V Systems
- Meets or exceeds Stringent Automotive Design Requirements, including “*Hardware Requirements for LIN, CAN and FlexRay™ Interfaces in Automotive Applications*”, Version 1.3, May 2012:
  - Conducted emissions @ 2 Mbps with Common-Mode Choke (CMC)
  - Direct Power Injection (DPI) @ 2 Mbps with CMC
- Meets SAE J2962/2 “*Communication Transceivers Qualification Requirements – CAN*”:
  - Passes radiated emissions at 2 Mbps without a CMC
- High Noise Immunity due to Differential Bus Implementation
- High ESD Protection on CANHx and CANLx, Meets IEC61000-4-2, up to  $\pm 6$  kV
- Available in 14-Lead SOIC

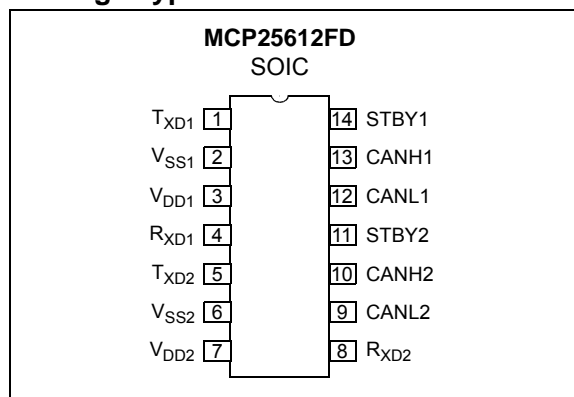
- Temperature Ranges:
  - Extended (E): -40°C to +125°C
  - High (H): -40°C to +150°C

### Description

The MCP25612FD is a second generation, dual CAN FD transceiver from Microchip Technology Inc. It offers all of the features from two fully independent MCP2561FD CAN transceivers, except for the SPLIT pin. It ensures Loop Delay Symmetry in order to support the higher data rates required for CAN FD. The maximum propagation delay is improved to support a longer bus length.

The device meets the automotive requirements for CAN FD bit rates, low quiescent current, robust Electromagnetic Compatibility (EMC) and Electrostatic Discharge (ESD).

### Package Types



### Typical Applications

#### Automotive

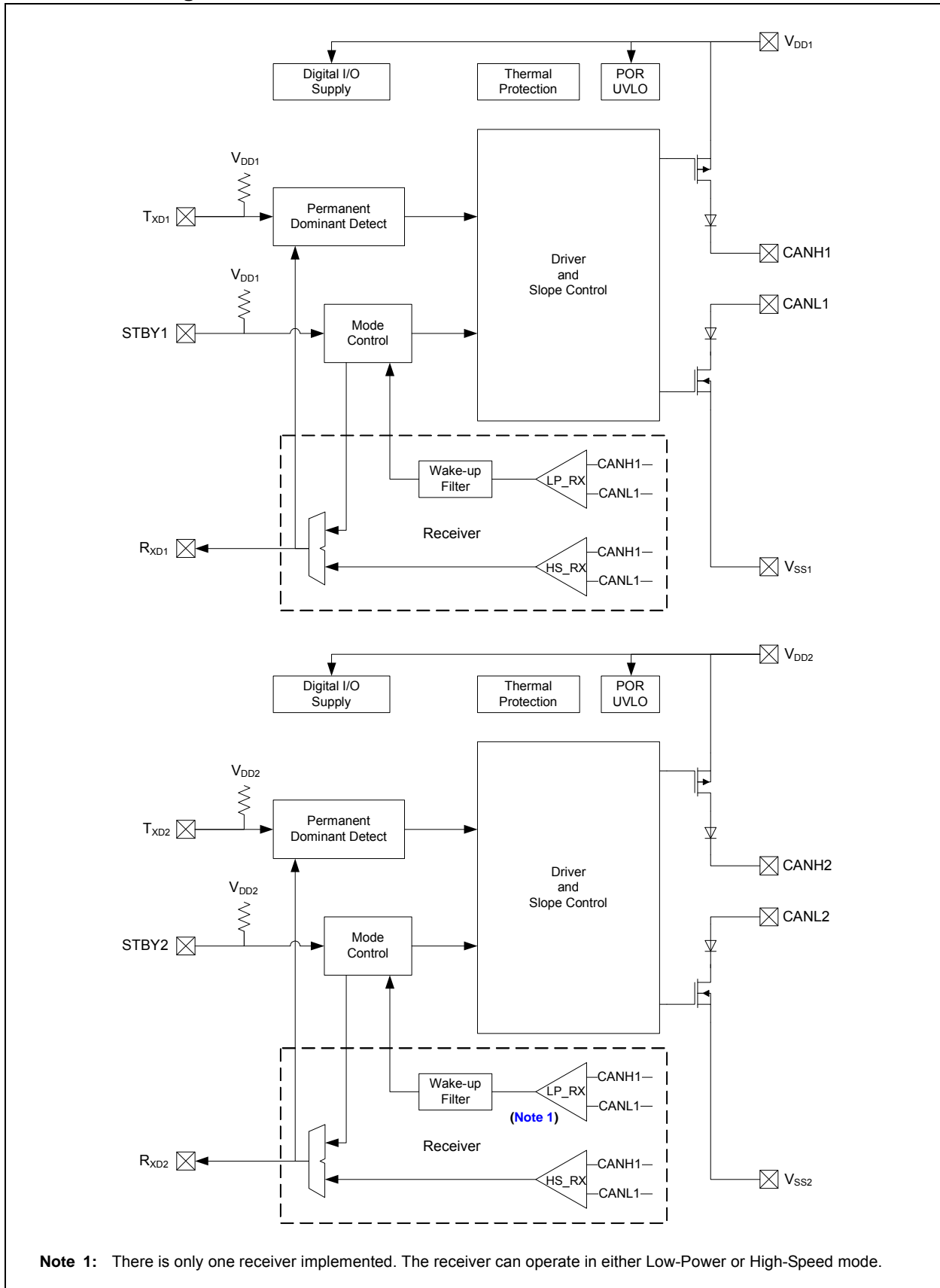
- Powertrain
- Body Control
- Gateway
- Chassis and Safety
- Infotainment

#### Industrial

- Factory Automation
- Gateway
- Server Backplanes
- Elevators
- Robotics

# MCP25612FD

## Device Block Diagram



## 1.0 DEVICE OVERVIEW

The MCP25612FD is a dual fully independent, CAN FD transceiver Fault tolerant device that serves as the interface between a CAN protocol controller and the physical bus. The MCP25612FD device provides differential transmit and receive capability for the CAN protocol controller, and is fully compatible with the ISO 11898-2 and ISO 11898-5 standards.

The Loop Delay Symmetry is ensured to support data rates up to 8 Mbps for CAN FD (Flexible Data-Rate). The maximum propagation delay was improved to support longer bus length.

Typically, each node in a CAN system must have a device to convert the digital signals generated by a CAN controller to signals suitable for transmission over the bus cabling (differential output). It also provides a buffer between the CAN controller and the high-voltage spikes that can be generated on the CAN bus by outside sources.

### 1.1 Mode Control Block

The MCP25612FD supports two modes of operation between the two CAN transceivers independently:

- Normal Mode
- Standby Mode

These modes are summarized in [Table 1-1](#).

**TABLE 1-1: MODES OF OPERATION**

Mode	STBYx Pin	R <sub>XDX</sub> Pin	
		Low	High
Normal	Low	Bus is dominant	Bus is recessive
Standby	High	Wake-up request is detected	No wake-up request detected

#### 1.1.1 NORMAL MODE

Normal mode is selected by applying low-level voltage to the STBYx pin. The driver block is operational and can drive the bus pins. The slopes of the output signals on CANHx and CANLx are optimized to produce minimal Electromagnetic Emissions (EME).

The high-speed differential receiver is active.

#### 1.1.2 STANDBY MODE

The device may be placed in Standby mode by applying a high-level voltage to the STBYx pin. In Standby mode, the transmitter and the high-speed part of the receiver are switched off to minimize power consumption. The low-power receiver and the wake-up filter blocks are enabled to monitor the bus for activity. The Receive pin (R<sub>XDX</sub>) will show a delayed representation of the CAN bus due to the wake-up filter.

The CAN controller gets interrupted by a negative edge on the R<sub>XDX</sub> pin (Dominant state on the CAN bus). The CAN controller must put the MCP25612FD back into Normal mode, using the STBYx pin, in order to enable high-speed data communication.

The CAN bus wake-up function requires V<sub>DDX</sub> to be in valid range.

# MCP25612FD

---

## 1.2 Transmitter Function

The CAN bus has two states:

- Dominant state
- Recessive state

A Dominant state occurs when the differential voltage between CANHx and CANLx is greater than  $V_{DIFFX(D)(I)}$ . A Recessive state occurs when the differential voltage is less than  $V_{DIFFX(R)(I)}$ . The Dominant and Recessive states correspond to the Low and High state of the  $T_{XDX}$  input pin, respectively. However, a Dominant state initiated by another CAN node will override a Recessive state on the CAN bus.

## 1.3 Receiver Function

In Normal mode, the  $R_{XDX}$  output pin reflects the differential bus voltage between CANHx and CANLx. The Low and High states of the  $R_{XDX}$  output pin correspond to the Dominant and Recessive states of the CAN bus, respectively.

## 1.4 Internal Protection

CANHx and CANLx are protected against battery short circuits and electrical transients that can occur on the CAN bus. This feature prevents destruction of the transmitter output stage during such a Fault condition.

The device is further protected from excessive current loading by thermal shutdown circuitry that disables the output drivers when the junction temperature exceeds a nominal limit of +175°C. All other parts of the chip remain operational and the chip temperature is lowered due to the decreased power dissipation in the transmitter outputs. This protection is essential to protect against bus line short-circuit induced damage. The activation of the internal protection in one of the transceivers will not affect the other one since these are fully independent.

## 1.5 Permanent Dominant Detection

The MCP25612FD device prevents two conditions:

- Permanent dominant condition on  $T_{XDX}$
- Permanent dominant condition on the bus

In Normal mode, if the MCP25612FD detects an extended Low state on the  $T_{XDX}$  input, it will disable the CANHx and CANLx output drivers in order to prevent the corruption of data on the CAN bus. The drivers will remain disabled until  $T_{XDX}$  goes to the High state.

In Standby mode, if the MCP25612FD detects an extended Dominant condition on the bus, it will set the  $R_{XDX}$  pin to the Recessive state. This allows the attached controller to go to Low-Power mode until the dominant issue is corrected.  $R_{XDX}$  is latched high until a Recessive state is detected on the bus and the wake-up function is enabled again.

Both conditions have a time-out of 1.25 ms (typical). This implies a maximum bit time of 69.44  $\mu$ s (14.4 kHz), allowing up to 18 consecutive dominant bits on the bus. The permanent dominant detection in one of the transceivers will not affect the other one since these are fully independent.

## 1.6 Power-on Reset (POR) and Undervoltage Detection

The MCP25612FD has undervoltage detection on the  $V_{DDX}$  supply pin. The typical undervoltage threshold is 4V.

When the device is powered on, CANHx and CANLx remain in a High-Impedance state until  $V_{DDX}$  exceeds its undervoltage level. Once powered on, CANHx and CANLx will enter a High-Impedance state if the voltage level at  $V_{DDX}$  drops below the undervoltage level, providing voltage brown-out protection during normal operation.

In Normal mode, the receiver output is forced to the Recessive state during an undervoltage condition on  $V_{DDX}$ . In Standby mode, the low-power receiver is only enabled when the  $V_{DDX}$  supply voltage rises above its undervoltage threshold. Once the threshold voltage is reached, the low-power receiver is no longer controlled by the POR comparator and remains operational down to about 2.5V on the  $V_{DDX}$  supply.

## 2.0 ELECTRICAL CHARACTERISTICS

### 2.1 Absolute Maximum Ratings†

$V_{DDX}$ .....	7.0V
DC Voltage at $T_{XDX}$ , $R_{XDX}$ , $STBYx$ and $V_{SSX}$ .....	-0.3V to $V_{DDX} + 0.3V$
DC Voltage at $CANHx$ and $CANLx$ .....	-58V to +58V
Transient Voltage on $CANHx$ , $CANLx$ (ISO-7637) (see <a href="#">Figure 2-4</a> ).....	-150V to +100V
Storage Temperature .....	-55°C to +150°C
Operating Ambient Temperature .....	-40°C to +150°C
Virtual Junction Temperature, $T_{VJ}$ (IEC60747-1) .....	-40°C to +190°C
Soldering Temperature of Leads (10 seconds).....	+300°C
ESD Protection on $CANHx$ and $CANLx$ Pins (IEC 61000-4-2); 330Ω/150 pF; Unpowered; Contact Discharge.....	±6 kV
ESD Protection on $CANHx$ and $CANLx$ Pins (IEC 801; Human Body Model); 1500Ω/100 pF .....	±8 kV
ESD Protection on All Other Pins (IEC 801; Human Body Model); 1500Ω/100 pF.....	±4 kV
ESD Protection on All Pins (IEC 801; Machine Model); 0Ω/200 pF.....	±300V
ESD Protection on All Pins (IEC 801; Charge Device Model).....	±750V

† **NOTICE:** Stresses above those listed under “Maximum ratings” may cause permanent damage to the device. This is a stress rating only and functional operation of the device at those or any other conditions above those indicated in the operational listings of this specification is not implied. Exposure to maximum rating conditions for extended periods may affect device reliability.

### 2.2 Specifications

**TABLE 2-1: DC ELECTRICAL SPECIFICATIONS**

Electrical Characteristics: Extended (E): $T_{AMB} = -40^{\circ}C$ to $+125^{\circ}C$ ; High (H): $T_{AMB} = -40^{\circ}C$ to $+150^{\circ}C$ ; $V_{DDX} = 4.5V$ to $5.5V$ , $R_{LX} = 60\Omega$ , $C_{LX} = 100$ pF; unless otherwise specified.						
Characteristic	Sym	Min	Typ	Max	Units	Conditions
<b>Supply (<math>V_{DDX}</math> Pin)</b>						
Voltage Range	$V_{DDX}$	4.5	—	5.5		
Supply Current (per transceiver)	$I_{DD}$	—	5	10	mA	Recessive; $V_{TXDX} = V_{DDX}$
		—	45	70		Dominant; $V_{TXDX} = 0V$
Standby Current (per transceiver)	$I_{DDS}$	—	5	15	$\mu A$	
High Level of the POR Comparator	$V_{PORH}$	3.8	—	4.3	V	
Low Level of the POR Comparator	$V_{PORL}$	3.4	—	4.0	V	
Hysteresis of the POR Comparator	$V_{PORD}$	0.3	—	0.8	V	

**Note 1:** Characterized; not 100% tested.

**2:** -12V to 12V is ensured by characterization, tested from -2V to 7V.

# MCP25612FD

**TABLE 2-1: DC ELECTRICAL SPECIFICATIONS (CONTINUED)**

Electrical Characteristics: Extended (E): $T_{AMB} = -40^{\circ}\text{C}$ to $+125^{\circ}\text{C}$ ; High (H): $T_{AMB} = -40^{\circ}\text{C}$ to $+150^{\circ}\text{C}$ ; $V_{DDX} = 4.5\text{V}$ to $5.5\text{V}$ , $R_{LX} = 60\Omega$ , $C_{LX} = 100\text{pF}$ ; unless otherwise specified.						
Characteristic	Sym	Min	Typ	Max	Units	Conditions
<b>Bus Line Transmitter (CANHx, CANLx)</b>						
CANHx, CANLx: Recessive Bus Output Voltage	$V_{O(R)}$	2.0	$0.5 V_{DDX}$	3.0	V	$V_{TXDX} = V_{DDX}$ ; no load
CANHx, CANLx: Bus Output Voltage in Standby	$V_{O(S)}$	-0.1	0.0	+0.1	V	$STBYx = V_{TXDX} = V_{DDX}$ ; no load
Recessive Output Current	$I_{O(R)}$	-5	—	+5	mA	$-24\text{V} < V_{CAN} < +24\text{V}$
CANHx: Dominant Output Voltage	$V_{O(D)}$	2.75	3.50	4.50	V	$T_{TXDX} = 0$ ; $R_{LX} = 50$ to $65\Omega$
CANLx: Dominant Output Voltage		0.50	1.50	2.25		$R_{LX} = 50$ to $65\Omega$
Symmetry of Dominant Output Voltage ( $V_{DDX} - V_{CANHX} - V_{CANLX}$ )	$V_{O(D)(M)}$	-400	0	+400	mV	$V_{TXDX} = V_{SSX}$ ( <b>Note 1</b> )
Dominant: Differential Output Voltage	$V_{O(DIFF)}$	1.5	2.0	3.0	V	$V_{TXDX} = V_{SSX}$ ; $R_{LX} = 50$ to $65\Omega$ (see <a href="#">Figure 2-1</a> and <a href="#">Figure 2-3</a> )
Recessive: Differential Output Voltage		-120	0	12	mV	$V_{TXDX} = V_{DDX}$ (see <a href="#">Figure 2-1</a> and <a href="#">Figure 2-3</a> )
		-500	0	50	mV	$V_{TXDX} = V_{DDX}$ ; no load (see <a href="#">Figure 2-1</a> and <a href="#">Figure 2-3</a> )
CANHx: Short-Circuit Output Current	$I_{O(SC)}$	-120	85	—	mA	$V_{TXDX} = V_{SSX}$ ; $V_{CANHX} = 0\text{V}$ ; CANLx: Floating
		-100	—	—	mA	Same as above, but $V_{DDX} = 5\text{V}$ ; $T_{AMB} = +25^{\circ}\text{C}$ ( <b>Note 1</b> )
CANLx: Short-Circuit Output Current		—	75	+120	mA	$V_{TXDX} = V_{SSX}$ ; $V_{CANLX} = 18\text{V}$ ; CANHx: Floating
		—	—	+100	mA	Same as above, but $V_{DDX} = 5\text{V}$ ; $T_{AMB} = +25^{\circ}\text{C}$ ( <b>Note 1</b> )
<b>Bus Line Receiver (CANHx, CANLx)</b>						
Recessive Differential Input Voltage	$V_{DIFFX(R)(I)}$	-1.0	—	+0.5	V	Normal mode; $-12\text{V} < V_{(CANHX, CANLX)} < +12\text{V}$ (see <a href="#">Figure 2-5</a> ) ( <b>Note 2</b> )
		-1.0	—	+0.4		Standby mode; $-12\text{V} < V_{(CANHX, CANLX)} < +12\text{V}$ (see <a href="#">Figure 2-5</a> ) ( <b>Note 2</b> )
Dominant Differential Input Voltage	$V_{DIFFX(D)(I)}$	0.9	—	$V_{DDX}$	V	Normal mode; $-12\text{V} < V_{(CANHX, CANLX)} < +12\text{V}$ (see <a href="#">Figure 2-5</a> ) ( <b>Note 2</b> )
		1.0	—	$V_{DDX}$		Standby mode; $-12\text{V} < V_{(CANHX, CANLX)} < +12\text{V}$ (see <a href="#">Figure 2-5</a> ) ( <b>Note 2</b> )

**Note 1:** Characterized; not 100% tested.

**2:** -12V to 12V is ensured by characterization, tested from -2V to 7V.

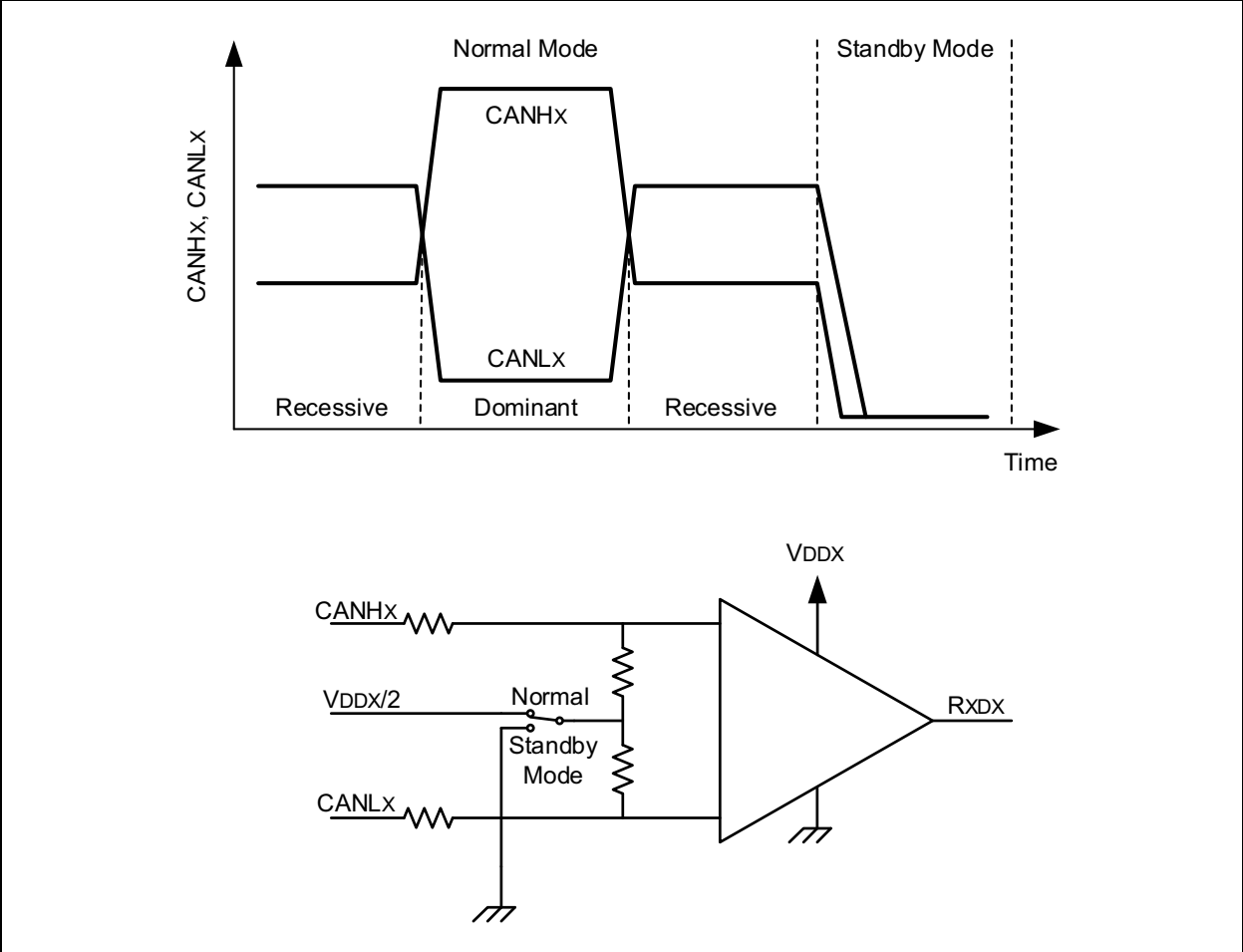
**TABLE 2-1: DC ELECTRICAL SPECIFICATIONS (CONTINUED)**

<b>Electrical Characteristics:</b> Extended (E): $T_{AMB} = -40^{\circ}\text{C}$ to $+125^{\circ}\text{C}$ ; High (H): $T_{AMB} = -40^{\circ}\text{C}$ to $+150^{\circ}\text{C}$ ; $V_{DDX} = 4.5\text{V}$ to $5.5\text{V}$ , $R_{LX} = 60\Omega$ , $C_{LX} = 100\text{pF}$ ; unless otherwise specified.						
Characteristic	Sym	Min	Typ	Max	Units	Conditions
<b>Bus Line Receiver (CANHx, CANLx) (Continued)</b>						
Differential Receiver Threshold	$V_{TH(DIFF)}$	0.5	0.7	0.9	V	Normal mode; $-12\text{V} < V_{(CANHX, CANLX)} < +12\text{V}$ (see Figure 2-5) (Note 2)
		0.4	—	1.0		Standby mode; $-12\text{V} < V_{(CANHX, CANLX)} < +12\text{V}$ (see Figure 2-5) (Note 2)
Differential Input Hysteresis	$V_{HYS(DIFF)}$	50	—	200	mV	Normal mode (see Figure 2-5) (Note 1)
Common-Mode Input Resistance	$R_{IN}$	10	—	30	k $\Omega$	(Note 1)
Common-Mode Resistance Matching	$R_{IN(M)}$	-1	0	+1	%	$V_{CANHX} = V_{CANLX}$ (Note 1)
Differential Input Resistance	$R_{IN(DIFF)}$	10	—	100	k $\Omega$	(Note 1)
Common-Mode Input Capacitance	$C_{IN(CM)}$	—	—	20	pF	$V_{TXDX} = V_{DDX}$ (Note 1)
Differential Input Capacitance	$C_{IN(DIFF)}$	—	—	10		$V_{TXDX} = V_{DDX}$ (Note 1)
CANHx, CANLx: Input Leakage	$I_{LI}$	-5	—	+5	$\mu\text{A}$	$V_{DDX} = V_{TXDX} = V_{STBYX} = 0\text{V}$ ; $V_{CANHX} = V_{CANLX} = 5\text{V}$
<b>Digital Input Pins (<math>T_{XDX}</math>, <math>STBYx</math>)</b>						
High-Level Input Voltage	$V_{IH}$	$0.7 V_{DDX}$	—	$V_{DDX} + 0.3$	V	
Low-Level Input Voltage	$V_{IL}$	-0.3	—	$0.3 V_{DDX}$	V	
High-Level Input Current	$I_{IH}$	-1	—	+1	$\mu\text{A}$	
$T_{XDX}$ : Low-Level Input Current	$I_{IL(TXDX)}$	-270	-150	-30	$\mu\text{A}$	
$STBYx$ : Low-Level Input Current	$I_{IL(STBYX)}$	-30	—	-1	$\mu\text{A}$	
<b>Receive Data Output (<math>R_{XDX}</math>)</b>						
High-Level Output Voltage	$V_{OHX}$	$V_{DDX} - 0.4$	—	—	V	$I_{OH} = -2\text{mA}$ ; typical -4 mA
Low-Level Output Voltage	$V_{OLX}$	—	—	0.4	V	$I_{OL} = 4\text{mA}$ ; typical 8 mA
<b>Thermal Shutdown</b>						
Shutdown Junction Temperature	$T_{J(SD)}$	165	175	185	$^{\circ}\text{C}$	$-12\text{V} < V_{(CANHX, CANLX)} < +12\text{V}$ (Note 1)
Shutdown Temperature Hysteresis	$T_{J(HYST)}$	20	—	30	$^{\circ}\text{C}$	$-12\text{V} < V_{(CANHX, CANLX)} < +12\text{V}$ (Note 1)

**Note 1:** Characterized; not 100% tested.

**2:** -12V to 12V is ensured by characterization, tested from -2V to 7V.

# MCP25612FD



**FIGURE 2-1:** Physical Bit Representation and Simplified Bias Implementation.

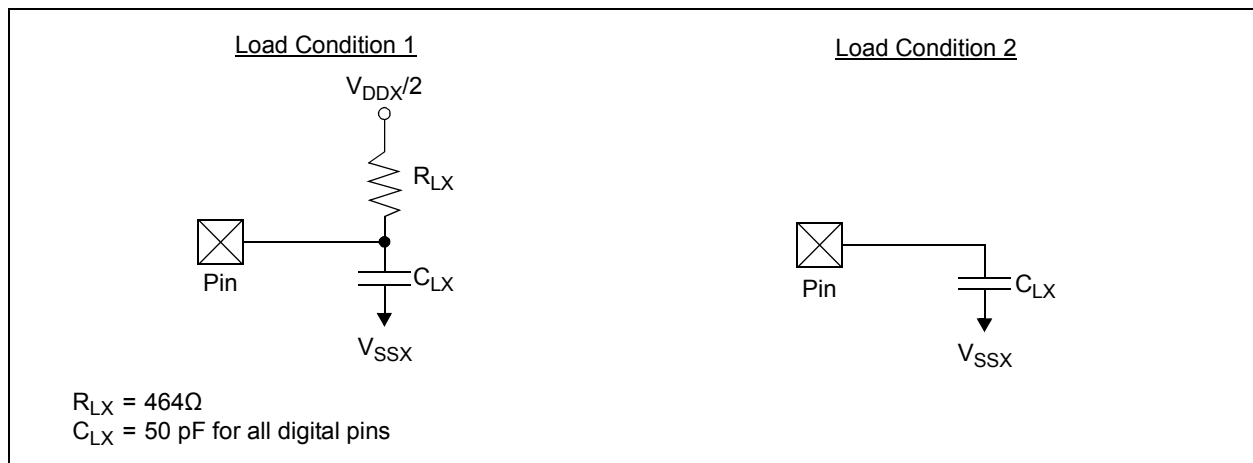


**TABLE 2-2: AC ELECTRICAL SPECIFICATIONS**

**Electrical Characteristics:** Extended (E):  $T_{AMB} = -40^{\circ}\text{C}$  to  $+125^{\circ}\text{C}$ ; High (H):  $T_{AMB} = -40^{\circ}\text{C}$  to  $+150^{\circ}\text{C}$ ;  $V_{DDX} = 4.5\text{V}$  to  $5.5\text{V}$ ,  $R_{LX} = 60\Omega$ ,  $C_{LX} = 100\text{pF}$ ; unless otherwise specified.

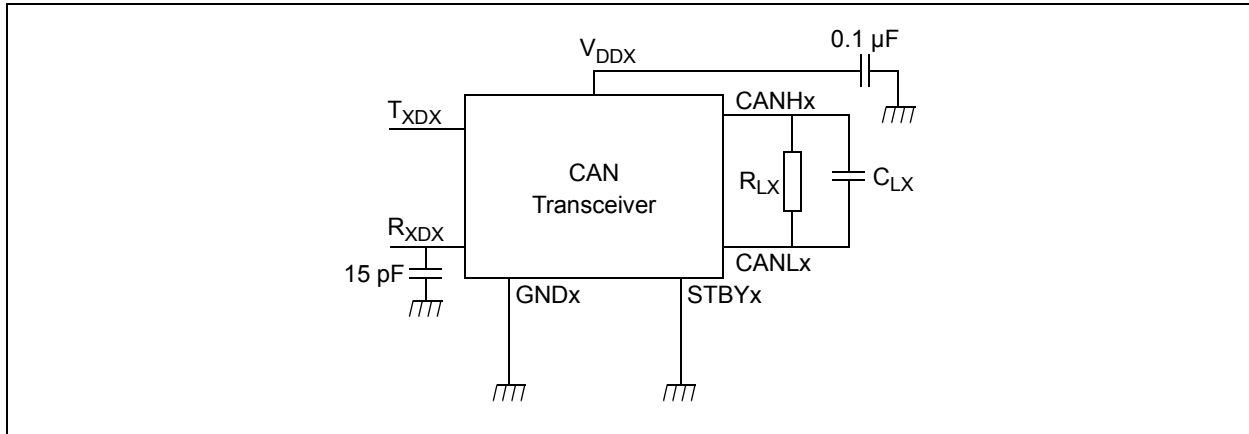
Param. No.	Sym	Characteristic	Min	Typ	Max	Units	Conditions
1	$t_{BIT}$	Bit Time	0.125	—	69.44	$\mu\text{s}$	
2	$f_{BIT}$	Bit Frequency	14.4	—	8000	kHz	
3	$t_{TXDX-BUSON}$	Delay $T_{XDX}$ Low to Bus Dominant	—	65	—	ns	(Note 1)
4	$t_{TXDX-BUSOFF}$	Delay $T_{XDX}$ High to Bus Recessive	—	90	—	ns	(Note 1)
5	$t_{BUSON-RXDX}$	Delay Bus Dominant to $R_{XDX}$	—	60	—	ns	(Note 1)
6	$t_{BUSOFF-RXDX}$	Delay Bus Recessive to $R_{XDX}$	—	65	—	ns	(Note 1)
7	$t_{TXDX-RXDX}$	Propagation Delay $T_{XDX}$ to $R_{XDX}$	—	90	120	ns	
			—	120	180	ns	$R_{LX} = 120\Omega$ , $C_{LX} = 200\text{pF}$ (Note 1)
8a	$t_{BIT(RXDX),2M}$	Recessive Bit Time on $R_{XDX} - 2\text{Mbps}$ , Loop Delay Symmetry	450	485	550	ns	$t_{BIT(TXDX)} = 500\text{ns}$ (see Figure 2-10)
			400	460	550	ns	$t_{BIT(TXDX)} = 500\text{ns}$ (see Figure 2-10); $R_{LX} = 120\Omega$ , $C_{LX} = 200\text{pF}$ (Note 1)
8b	$t_{BIT(RXDX),5M}$	Recessive Bit Time on $R_{XDX} - 5\text{Mbps}$ , Loop Delay Symmetry	160	185	220	ns	$t_{BIT(TXDX)} = 200\text{ns}$ (see Figure 2-10)
8c	$t_{BIT(RXDX),8M}$	Recessive Bit Time on $R_{XDX} - 8\text{Mbps}$ , Loop Delay Symmetry	85	105	140	ns	$t_{BIT(TXDX)} = 120\text{ns}$ (see Figure 2-10) (Note 1)
9	$t_{FLTR(WAKE)}$	Delay Bus Dominant to $R_{XDX}$ (Standby mode)	0.5	1	4	$\mu\text{s}$	Standby mode
10	$t_{WAKE}$	Delay Standby to Normal Mode	5	25	40	$\mu\text{s}$	Negative edge on $STBYx$
11	$t_{PDT}$	Permanent Dominant Detect Time	—	1.25	—	ms	$T_{XDX} = 0\text{V}$
12	$t_{PDTR}$	Permanent Dominant Timer Reset	—	100	—	ns	The shortest Recessive pulse on $T_{XDX}$ or CAN bus to reset Permanent Dominant Timer

**Note 1:** Characterized, not 100% tested.

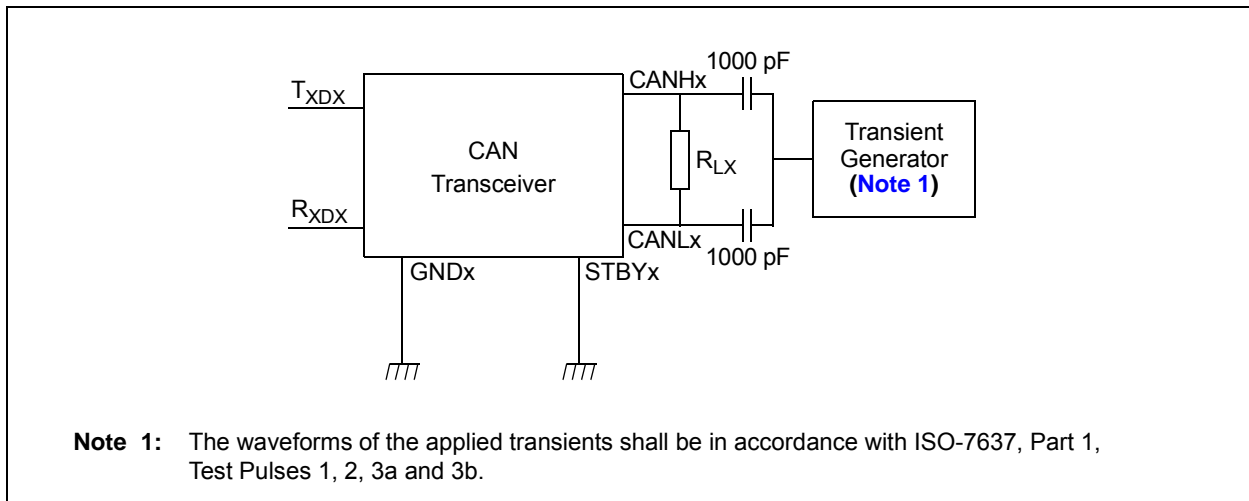


**FIGURE 2-2:** Test Load Conditions.

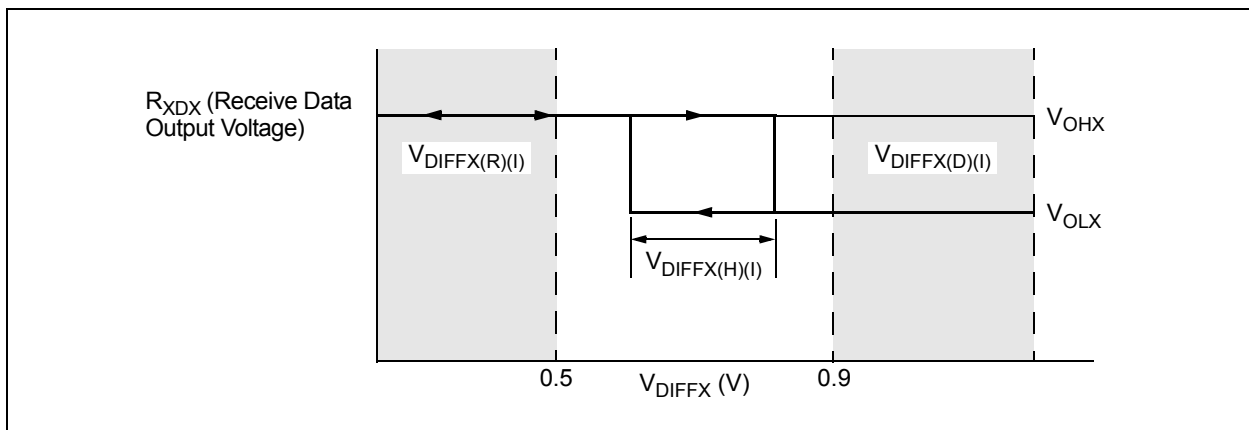
# MCP25612FD



**FIGURE 2-3:** Test Circuit for Electrical Characteristics.



**FIGURE 2-4:** Test Circuit for Automotive Transients.



**FIGURE 2-5:** Hysteresis of the Receiver.

## 2.3 Terms and Definitions

A number of terms are defined in ISO-11898 that are used to describe the electrical characteristics of a CAN transceiver device. These terms and definitions are summarized in this section.

### 2.3.1 BUS VOLTAGE

$V_{CANLX}$  and  $V_{CANHX}$  denote the voltages of the bus line wires, CANLx and CANHx, relative to the ground of each individual CAN node.

### 2.3.2 COMMON-MODE BUS VOLTAGE RANGE

Boundary voltage levels of  $V_{CANLX}$  and  $V_{CANHX}$ , with respect to ground, for which proper operation will occur if up to the maximum number of CAN nodes are connected to the bus.

### 2.3.3 DIFFERENTIAL INTERNAL CAPACITANCE, $C_{DIFF}$ (OF A CAN NODE)

Capacitance seen between CANLx and CANHx during the Recessive state, when the CAN node is disconnected from the bus (see Figure 2-6).

### 2.3.4 DIFFERENTIAL INTERNAL RESISTANCE, $R_{DIFF}$ (OF A CAN NODE)

Resistance seen between CANLx and CANHx, during the Recessive state, when the CAN node is disconnected from the bus (see Figure 2-6).

### 2.3.5 DIFFERENTIAL VOLTAGE, $V_{DIFFX}$ (OF CAN BUS)

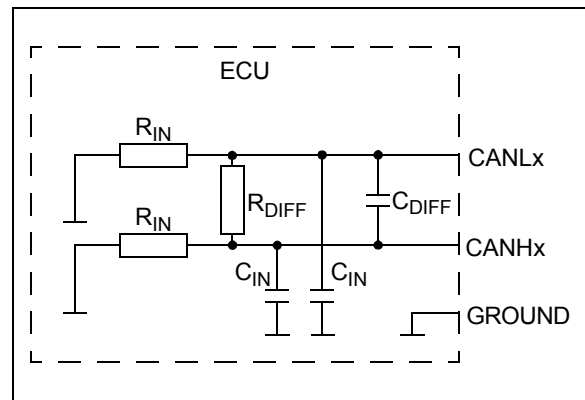
Differential voltage of the two-wire CAN bus value:  
 $V_{DIFFX} = V_{CANHX} - V_{CANLX}$ .

### 2.3.6 INTERNAL CAPACITANCE, $C_{IN}$ (OF A CAN NODE)

Capacitance seen between CANLx (or CANHx) and ground, during the Recessive state, when the CAN node is disconnected from the bus (see Figure 2-6).

### 2.3.7 INTERNAL RESISTANCE, $R_{IN}$ (OF A CAN NODE)

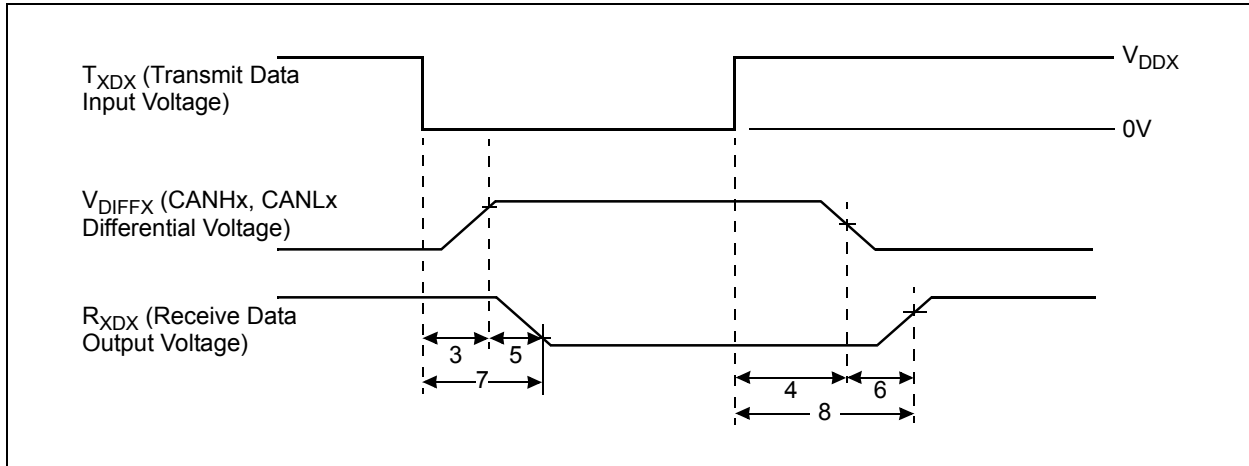
Resistance seen between CANLx (or CANHx) and ground, during the Recessive state, when the CAN node is disconnected from the bus (see Figure 2-6).



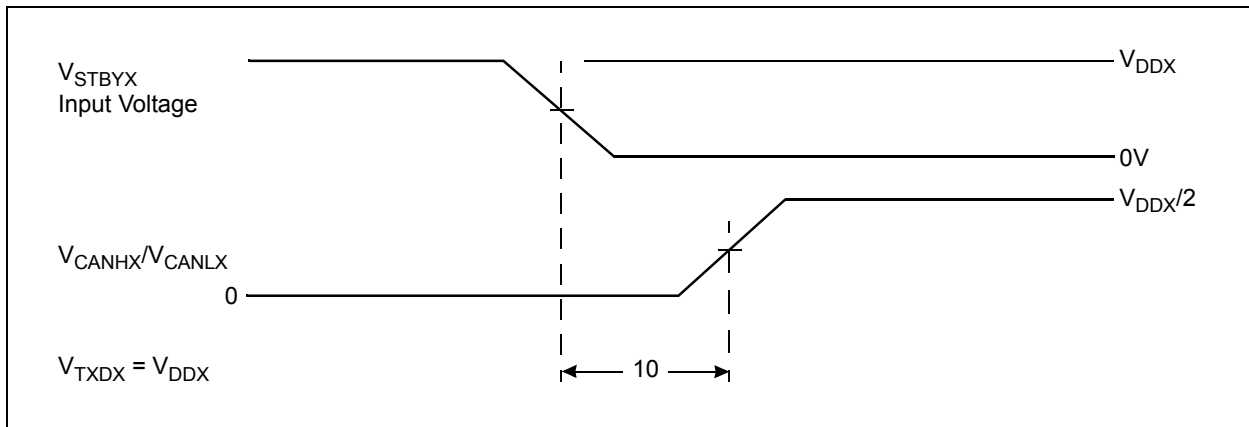
**FIGURE 2-6:** Physical Layer Definitions.

# MCP25612FD

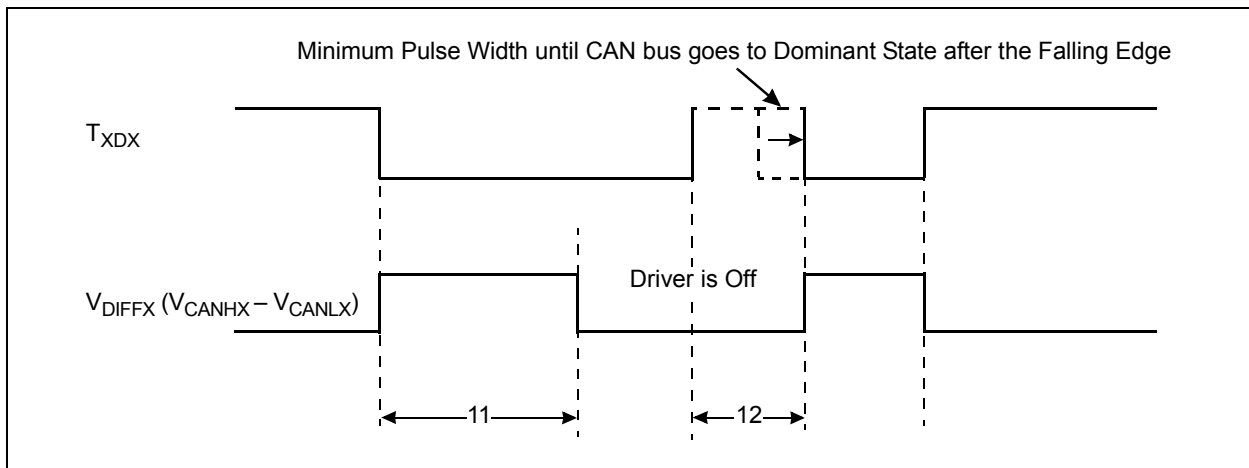
## 2.4 Timing Diagrams and Specifications



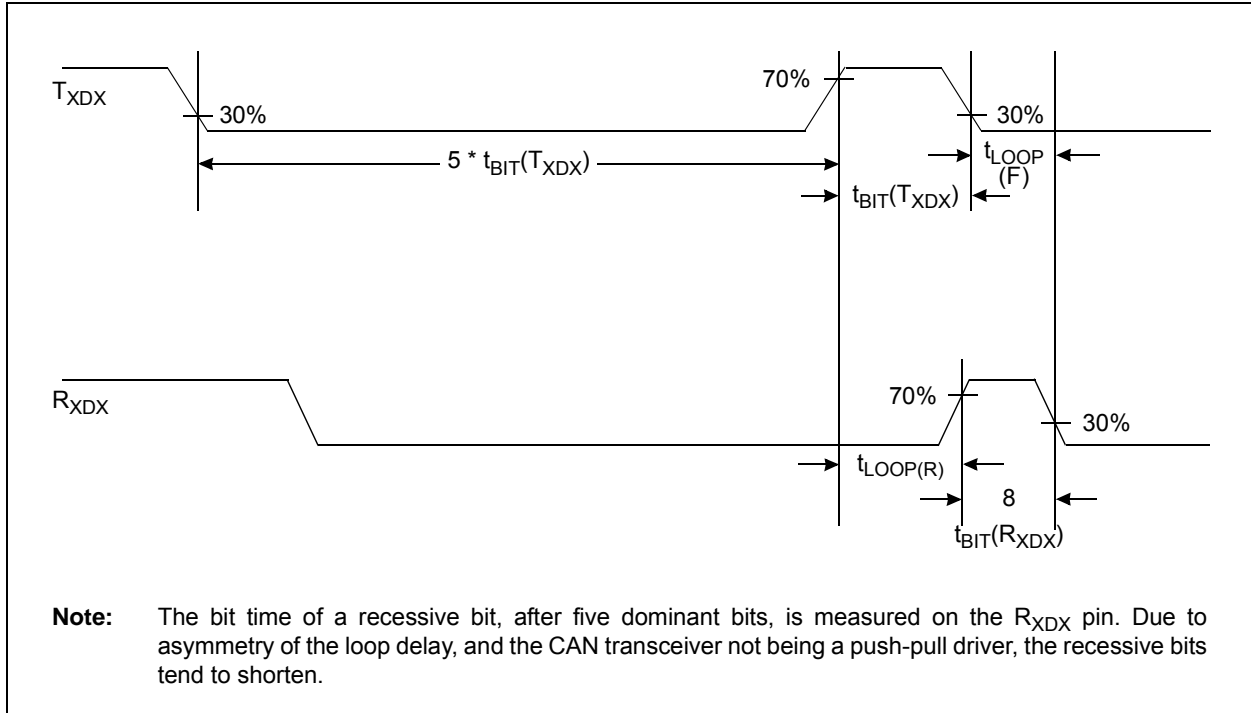
**FIGURE 2-7:** Timing Diagram for AC Characteristics.



**FIGURE 2-8:** Timing Diagram for Wake-up from Standby.



**FIGURE 2-9:** Permanent Dominant Timer Reset Detect.



**FIGURE 2-10:** Timing Diagram for Loop Delay Symmetry.

**TABLE 2-3: THERMAL SPECIFICATIONS**

Parameter	Symbol	Min.	Typ.	Max.	Units	Test Conditions
<b>Temperature Ranges</b>						
Specified Temperature Range	$T_A$	-40	—	+125	°C	
		-40	—	+150		
Operating Temperature Range	$T_A$	-40	—	+150	°C	
Storage Temperature Range	$T_A$	-55	—	+150	°C	
<b>Thermal Package Resistance</b>						
Thermal Resistance, 14L-SOIC	$\theta_{JA}$	—	90.8	—	°C/W	

# MCP25612FD

## 3.0 PIN DESCRIPTIONS

Table 3-1 describes the MCP25612FD device pinout.

TABLE 3-1: MCP25612FD PIN FUNCTIONS

SOIC	Pin Name	Pin Type	Pin Function
1	T <sub>XD1</sub>	I	Transmit Data Input
2	V <sub>SS1</sub>	Power	Ground
3	V <sub>DD1</sub>	Power	Transceiver Supply Voltage
4	R <sub>XD1</sub>	O	Receive Data Output
5	T <sub>XD2</sub>	I	Transmit Data Input
6	V <sub>SS2</sub>	Power	Ground
7	V <sub>DD2</sub>	Power	Transceiver Supply Voltage
8	R <sub>XD2</sub>	O	Receive Data Output
9	CANL2	I/O	CAN Low-Level Bus Line
10	CANH2	I/O	CAN High-Level Bus Line
11	STBY2	I	Standby Mode Input (active-high)
12	CANL1	I/O	CAN Low-Level Bus Line
13	CANH1	I/O	CAN High-Level Bus Line
14	STBY1	I	Standby Mode Input (active-high)

### 3.1 Transmitter Data Input Pin (T<sub>XDx</sub>)

The CAN transceivers drive the differential output pins, CANHx and CANLx, according to T<sub>XDx</sub>. T<sub>XDx</sub> is usually connected to the transmitter data output of the CAN controller device. When T<sub>XDx</sub> is low, CANHx and CANLx are in the Dominant state. When T<sub>XDx</sub> is high, CANHx and CANLx are in the Recessive state, provided that another CAN node is not driving the CAN bus with a Dominant state. T<sub>XDx</sub> is connected to an internal pull-up resistor (nominal 33 kΩ) to V<sub>DDx</sub>.

### 3.2 Ground Supply Pin (V<sub>SSx</sub>)

Ground supply pin.

### 3.3 Supply Voltage Pin (V<sub>DDx</sub>)

Positive supply voltage pin. Supplies the transmitter and receiver, including the wake-up receiver.

### 3.4 Receiver Data Output Pin (R<sub>XDx</sub>)

R<sub>XDx</sub> is a CMOS-compatible output that drives high or low, depending on the differential signals on the CANHx and CANLx pins, and is usually connected to the receiver data input of the CAN controller device. R<sub>XDx</sub> is high when the CAN bus is in the Recessive state and low in the Dominant state. R<sub>XDx</sub> is supplied by V<sub>DDx</sub>.

### 3.5 CAN Low Pin (CANLx)

The CANLx output drives the low side of the CAN differential bus. This pin is also tied internally to the receive input comparator. CANLx disconnects from the bus when MCP25612FD is not powered.

### 3.6 CAN High Pin (CANHx)

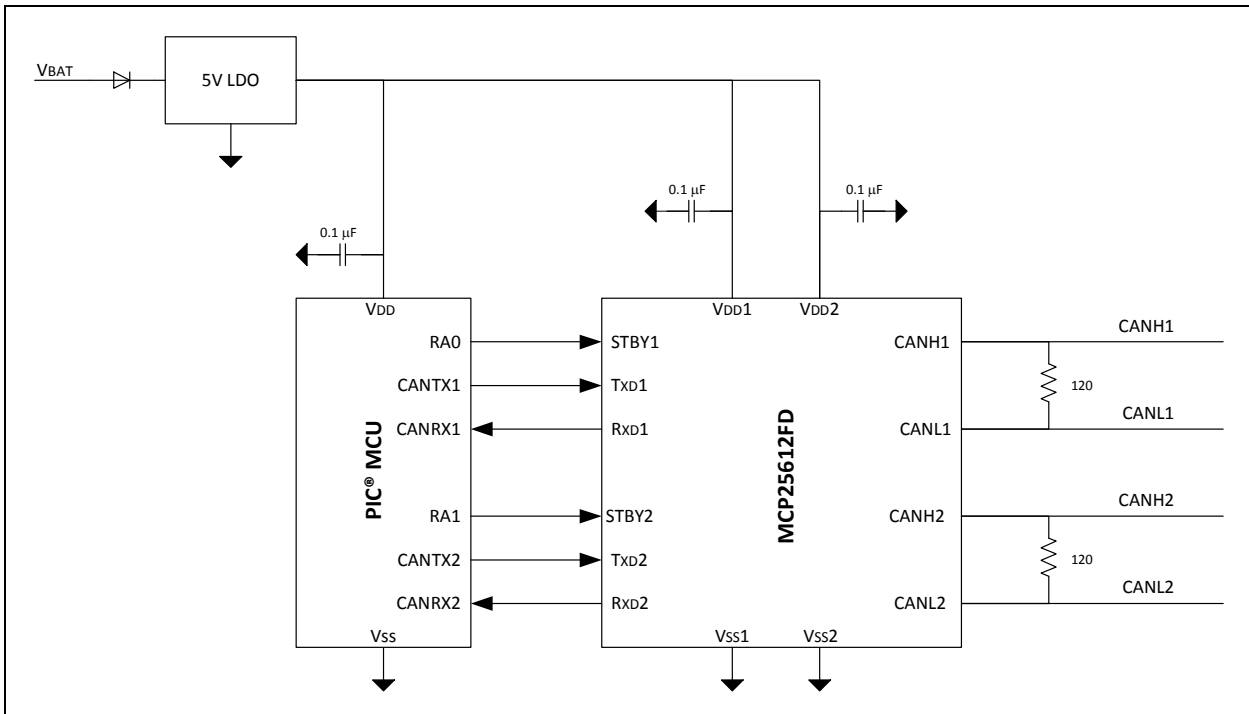
The CANHx output drives the high side of the CAN differential bus. This pin is also tied internally to the receive input comparator. CANHx disconnects from the bus when MCP25612FD is not powered.

### 3.7 Standby Mode Input Pin (STBYx)

This pin selects between Normal or Standby mode. In Standby mode, the transmitter and high-speed receiver are turned off; only the low-power receiver and wake-up filter are active. STBYx is connected to an internal MOS pull-up resistor to V<sub>DDx</sub>. The typical value is 660 kΩ.

## 4.0 TYPICAL APPLICATIONS

In order to meet some EMC/EMI requirements, a Common-Mode Choke (CMC) may be needed for data rates greater than 1 Mbps.



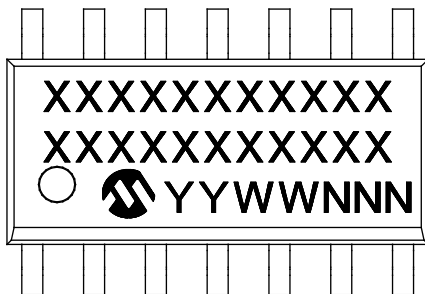
**FIGURE 4-1:** MCP25612FD Application.

# MCP25612FD

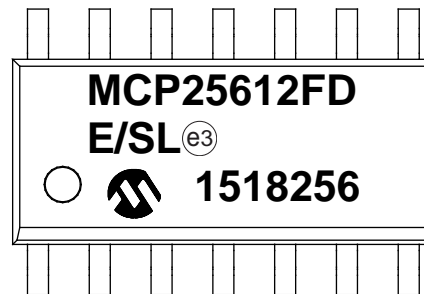
## 5.0 PACKAGING INFORMATION

### 5.1 Package Marking Information

14-Lead SOIC (3.90 mm)



Example



<b>Legend:</b>	XX...X	Customer-specific information
	Y	Year code (last digit of calendar year)
	YY	Year code (last 2 digits of calendar year)
	WW	Week code (week of January 1 is week '01')
	NNN	Alphanumeric traceability code
	(e3)	Pb-free JEDEC designator for Matte Tin (Sn)
	*	This package is Pb-free. The Pb-free JEDEC designator (e3) can be found on the outer packaging for this package.

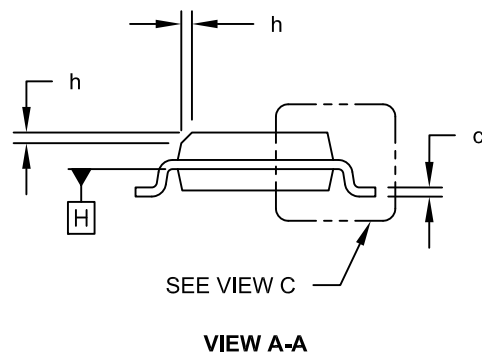
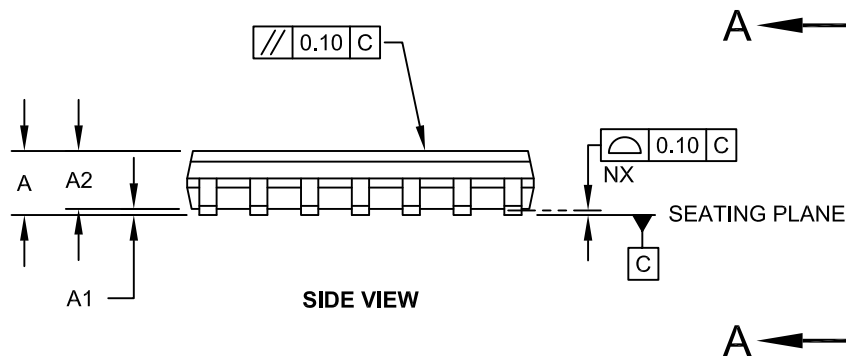
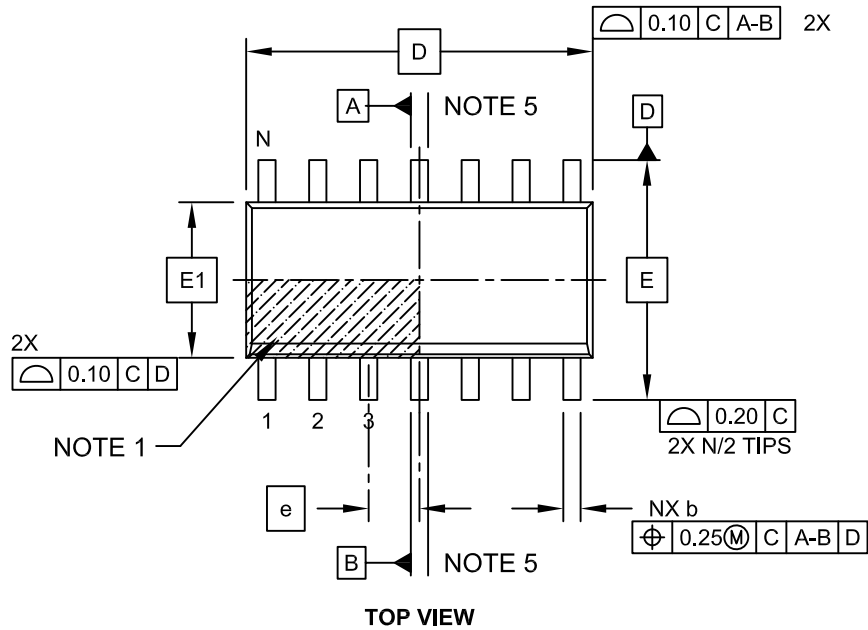
**Note:** In the event the full Microchip part number cannot be marked on one line, it will be carried over to the next line, thus limiting the number of available characters for customer-specific information.



## 5.2 Package Details

### 14-Lead Plastic Small Outline (SL) - Narrow, 3.90 mm Body [SOIC]

**Note:** For the most current package drawings, please see the Microchip Packaging Specification located at <http://www.microchip.com/packaging>

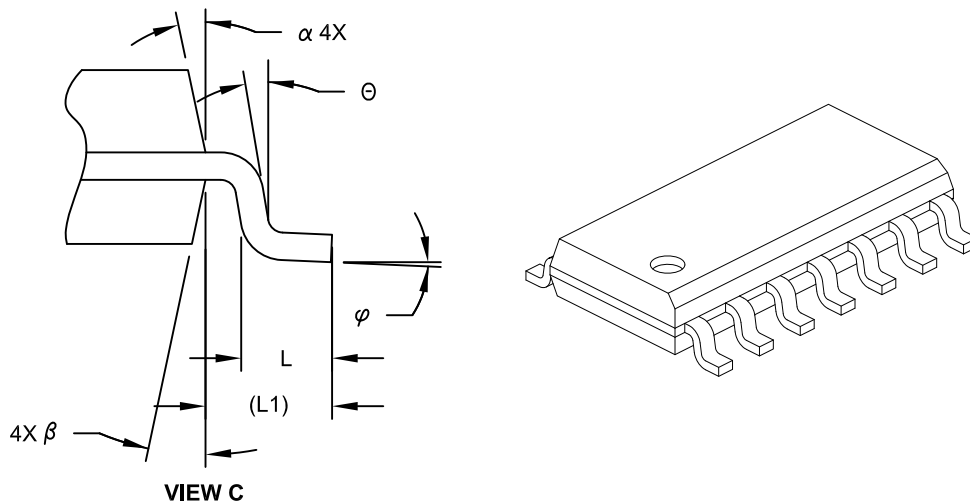


Microchip Technology Drawing No. C04-065C Sheet 1 of 2

# MCP25612FD

## 14-Lead Plastic Small Outline (SL) - Narrow, 3.90 mm Body [SOIC]

**Note:** For the most current package drawings, please see the Microchip Packaging Specification located at <http://www.microchip.com/packaging>



Dimension Limits	Units	MILLIMETERS		
		MIN	NOM	MAX
Number of Pins	N	14		
Pitch	e	1.27 BSC		
Overall Height	A	-	-	1.75
Molded Package Thickness	A2	1.25	-	-
Standoff §	A1	0.10	-	0.25
Overall Width	E	6.00 BSC		
Molded Package Width	E1	3.90 BSC		
Overall Length	D	8.65 BSC		
Chamfer (Optional)	h	0.25	-	0.50
Foot Length	L	0.40	-	1.27
Footprint	L1	1.04 REF		
Lead Angle	Θ	0°	-	-
Foot Angle	φ	0°	-	8°
Lead Thickness	c	0.10	-	0.25
Lead Width	b	0.31	-	0.51
Mold Draft Angle Top	α	5°	-	15°
Mold Draft Angle Bottom	β	5°	-	15°

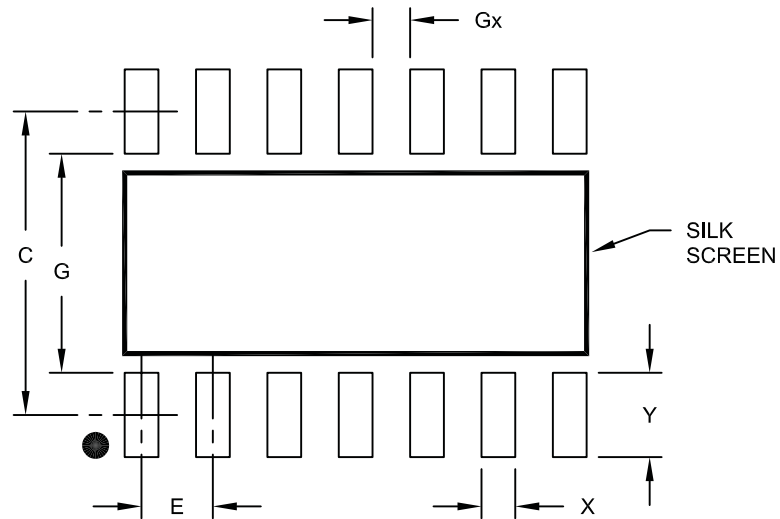
### Notes:

- Pin 1 visual index feature may vary, but must be located within the hatched area.
- § Significant Characteristic
- Dimension D does not include mold flash, protrusions or gate burrs, which shall not exceed 0.15 mm per end. Dimension E1 does not include interlead flash or protrusion, which shall not exceed 0.25 mm per side.
- Dimensioning and tolerancing per ASME Y14.5M  
BSC: Basic Dimension. Theoretically exact value shown without tolerances.  
REF: Reference Dimension, usually without tolerance, for information purposes only.
- Datums A & B to be determined at Datum H.

Microchip Technology Drawing No. C04-065C Sheet 2 of 2

## 14-Lead Plastic Small Outline (SL) - Narrow, 3.90 mm Body [SOIC]

**Note:** For the most current package drawings, please see the Microchip Packaging Specification located at <http://www.microchip.com/packaging>



### RECOMMENDED LAND PATTERN

Dimension Limits	Units	MILLIMETERS		
		MIN	NOM	MAX
Contact Pitch	E	1.27 BSC		
Contact Pad Spacing	C		5.40	
Contact Pad Width	X			0.60
Contact Pad Length	Y			1.50
Distance Between Pads	Gx	0.67		
Distance Between Pads	G	3.90		

**Notes:**

1. Dimensioning and tolerancing per ASME Y14.5M

BSC: Basic Dimension. Theoretically exact value shown without tolerances.

Microchip Technology Drawing No. C04-2065A

# MCP25612FD

---

NOTES:

## APPENDIX A: REVISION HISTORY

### Revision A (June 2015)

Original release of this document.

# MCP25612FD

---

NOTES:

## PRODUCT IDENTIFICATION SYSTEM

To order or obtain information, e.g., on pricing or delivery, contact the factory or one of the sales offices listed on the back page.

<u>PART NO.</u>	<u>-X</u>	<u>/XX</u>
Device	Temperature Range	Package
<b>Device:</b>	MCP25612FD: Dual CAN FD Transceiver MCP25612FDT: Dual CAN FD Transceiver (Tape and Reel)	
<b>Temperature Range:</b>	E = -40°C to +125°C (Extended) H = -40°C to +150°C (High)	
<b>Package:</b>	SL = 14-Lead Plastic Small Outline - Narrow, 3.90 mm Body	

**Examples:**

- a) MCP25612FD-E/SL: Extended Temperature, 14LD SOIC package
- b) MCP25612FDT-E/SL: Tape and Reel, Extended Temperature, 14LD SOIC package
- c) MCP25612FD-H/SL: High Temperature, 14LD SOIC package.
- d) MCP25612FDT-H/SL: Tape and Reel, High Temperature, 14LD SOIC package

# MCP25612FD

---

NOTES:



---

**Note the following details of the code protection feature on Microchip devices:**

- Microchip products meet the specification contained in their particular Microchip Data Sheet.
- Microchip believes that its family of products is one of the most secure families of its kind on the market today, when used in the intended manner and under normal conditions.
- There are dishonest and possibly illegal methods used to breach the code protection feature. All of these methods, to our knowledge, require using the Microchip products in a manner outside the operating specifications contained in Microchip's Data Sheets. Most likely, the person doing so is engaged in theft of intellectual property.
- Microchip is willing to work with the customer who is concerned about the integrity of their code.
- Neither Microchip nor any other semiconductor manufacturer can guarantee the security of their code. Code protection does not mean that we are guaranteeing the product as “unbreakable.”

Code protection is constantly evolving. We at Microchip are committed to continuously improving the code protection features of our products. Attempts to break Microchip's code protection feature may be a violation of the Digital Millennium Copyright Act. If such acts allow unauthorized access to your software or other copyrighted work, you may have a right to sue for relief under that Act.

---

Information contained in this publication regarding device applications and the like is provided only for your convenience and may be superseded by updates. It is your responsibility to ensure that your application meets with your specifications. MICROCHIP MAKES NO REPRESENTATIONS OR WARRANTIES OF ANY KIND WHETHER EXPRESS OR IMPLIED, WRITTEN OR ORAL, STATUTORY OR OTHERWISE, RELATED TO THE INFORMATION, INCLUDING BUT NOT LIMITED TO ITS CONDITION, QUALITY, PERFORMANCE, MERCHANTABILITY OR FITNESS FOR PURPOSE. Microchip disclaims all liability arising from this information and its use. Use of Microchip devices in life support and/or safety applications is entirely at the buyer's risk, and the buyer agrees to defend, indemnify and hold harmless Microchip from any and all damages, claims, suits, or expenses resulting from such use. No licenses are conveyed, implicitly or otherwise, under any Microchip intellectual property rights.

**Trademarks**

The Microchip name and logo, the Microchip logo, dsPIC, FlashFlex, flexPWR, JukeBlox, KEELOQ, KEELOQ logo, Klear, LANCheck, MediaLB, MOST, MOST logo, MPLAB, OptoLyzer, PIC, PICSTART, PIC<sup>32</sup> logo, RightTouch, SpyNIC, SST, SST Logo, SuperFlash and UNI/O are registered trademarks of Microchip Technology Incorporated in the U.S.A. and other countries.

The Embedded Control Solutions Company and mTouch are registered trademarks of Microchip Technology Incorporated in the U.S.A.

Analog-for-the-Digital Age, BodyCom, chipKIT, chipKIT logo, CodeGuard, dsPICDEM, dsPICDEM.net, ECAN, In-Circuit Serial Programming, ICSP, Inter-Chip Connectivity, KlearNet, KlearNet logo, MiWi, MPASM, MPF, MPLAB Certified logo, MPLIB, MPLINK, MultiTRAK, NetDetach, Omniscient Code Generation, PICDEM, PICDEM.net, PICkit, PICtail, RightTouch logo, REAL ICE, SQI, Serial Quad I/O, Total Endurance, TSHARC, USBCheck, VariSense, ViewSpan, WiperLock, Wireless DNA, and ZENA are trademarks of Microchip Technology Incorporated in the U.S.A. and other countries.

SQTP is a service mark of Microchip Technology Incorporated in the U.S.A.

Silicon Storage Technology is a registered trademark of Microchip Technology Inc. in other countries.

GestIC is a registered trademarks of Microchip Technology Germany II GmbH & Co. KG, a subsidiary of Microchip Technology Inc., in other countries.

All other trademarks mentioned herein are property of their respective companies.

© 2015, Microchip Technology Incorporated, Printed in the U.S.A., All Rights Reserved.

ISBN: 978-1-63277-484-2

**QUALITY MANAGEMENT SYSTEM**  
**CERTIFIED BY DNV**  
**== ISO/TS 16949 ==**

*Microchip received ISO/TS-16949:2009 certification for its worldwide headquarters, design and wafer fabrication facilities in Chandler and Tempe, Arizona; Gresham, Oregon and design centers in California and India. The Company's quality system processes and procedures are for its PIC<sup>®</sup> MCUs and dsPIC<sup>®</sup> DSCs, KEELOQ<sup>®</sup> code hopping devices, Serial EEPROMs, microperipherals, nonvolatile memory and analog products. In addition, Microchip's quality system for the design and manufacture of development systems is ISO 9001:2000 certified.*



# MICROCHIP

## Worldwide Sales and Service

### AMERICAS

**Corporate Office**  
2355 West Chandler Blvd.  
Chandler, AZ 85224-6199  
Tel: 480-792-7200  
Fax: 480-792-7277  
Technical Support:  
<http://www.microchip.com/support>  
Web Address:  
[www.microchip.com](http://www.microchip.com)

**Atlanta**  
Duluth, GA  
Tel: 678-957-9614  
Fax: 678-957-1455

**Austin, TX**  
Tel: 512-257-3370

**Boston**  
Westborough, MA  
Tel: 774-760-0087  
Fax: 774-760-0088

**Chicago**  
Itasca, IL  
Tel: 630-285-0071  
Fax: 630-285-0075

**Cleveland**  
Independence, OH  
Tel: 216-447-0464  
Fax: 216-447-0643

**Dallas**  
Addison, TX  
Tel: 972-818-7423  
Fax: 972-818-2924

**Detroit**  
Novi, MI  
Tel: 248-848-4000

**Houston, TX**  
Tel: 281-894-5983

**Indianapolis**  
Noblesville, IN  
Tel: 317-773-8323  
Fax: 317-773-5453

**Los Angeles**  
Mission Viejo, CA  
Tel: 949-462-9523  
Fax: 949-462-9608

**New York, NY**  
Tel: 631-435-6000

**San Jose, CA**  
Tel: 408-735-9110

**Canada - Toronto**  
Tel: 905-673-0699  
Fax: 905-673-6509

### ASIA/PACIFIC

**Asia Pacific Office**  
Suites 3707-14, 37th Floor  
Tower 6, The Gateway  
Harbour City, Kowloon  
Hong Kong  
Tel: 852-2943-5100  
Fax: 852-2401-3431

**Australia - Sydney**  
Tel: 61-2-9868-6733  
Fax: 61-2-9868-6755

**China - Beijing**  
Tel: 86-10-8569-7000  
Fax: 86-10-8528-2104

**China - Chengdu**  
Tel: 86-28-8665-5511  
Fax: 86-28-8665-7889

**China - Chongqing**  
Tel: 86-23-8980-9588  
Fax: 86-23-8980-9500

**China - Dongguan**  
Tel: 86-769-8702-9880

**China - Hangzhou**  
Tel: 86-571-8792-8115  
Fax: 86-571-8792-8116

**China - Hong Kong SAR**  
Tel: 852-2943-5100  
Fax: 852-2401-3431

**China - Nanjing**  
Tel: 86-25-8473-2460  
Fax: 86-25-8473-2470

**China - Qingdao**  
Tel: 86-532-8502-7355  
Fax: 86-532-8502-7205

**China - Shanghai**  
Tel: 86-21-5407-5533  
Fax: 86-21-5407-5066

**China - Shenyang**  
Tel: 86-24-2334-2829  
Fax: 86-24-2334-2393

**China - Shenzhen**  
Tel: 86-755-8864-2200  
Fax: 86-755-8203-1760

**China - Wuhan**  
Tel: 86-27-5980-5300  
Fax: 86-27-5980-5118

**China - Xian**  
Tel: 86-29-8833-7252  
Fax: 86-29-8833-7256

### ASIA/PACIFIC

**China - Xiamen**  
Tel: 86-592-2388138  
Fax: 86-592-2388130

**China - Zhuhai**  
Tel: 86-756-3210040  
Fax: 86-756-3210049

**India - Bangalore**  
Tel: 91-80-3090-4444  
Fax: 91-80-3090-4123

**India - New Delhi**  
Tel: 91-11-4160-8631  
Fax: 91-11-4160-8632

**India - Pune**  
Tel: 91-20-3019-1500

**Japan - Osaka**  
Tel: 81-6-6152-7160  
Fax: 81-6-6152-9310

**Japan - Tokyo**  
Tel: 81-3-6880-3770  
Fax: 81-3-6880-3771

**Korea - Daegu**  
Tel: 82-53-744-4301  
Fax: 82-53-744-4302

**Korea - Seoul**  
Tel: 82-2-554-7200  
Fax: 82-2-558-5932 or  
82-2-558-5934

**Malaysia - Kuala Lumpur**  
Tel: 60-3-6201-9857  
Fax: 60-3-6201-9859

**Malaysia - Penang**  
Tel: 60-4-227-8870  
Fax: 60-4-227-4068

**Philippines - Manila**  
Tel: 63-2-634-9065  
Fax: 63-2-634-9069

**Singapore**  
Tel: 65-6334-8870  
Fax: 65-6334-8850

**Taiwan - Hsin Chu**  
Tel: 886-3-5778-366  
Fax: 886-3-5770-955

**Taiwan - Kaohsiung**  
Tel: 886-7-213-7828

**Taiwan - Taipei**  
Tel: 886-2-2508-8600  
Fax: 886-2-2508-0102

**Thailand - Bangkok**  
Tel: 66-2-694-1351  
Fax: 66-2-694-1350

### EUROPE

**Austria - Wels**  
Tel: 43-7242-2244-39  
Fax: 43-7242-2244-393

**Denmark - Copenhagen**  
Tel: 45-4450-2828  
Fax: 45-4485-2829

**France - Paris**  
Tel: 33-1-69-53-63-20  
Fax: 33-1-69-30-90-79

**Germany - Dusseldorf**  
Tel: 49-2129-3766400

**Germany - Munich**  
Tel: 49-89-627-144-0  
Fax: 49-89-627-144-44

**Germany - Pforzheim**  
Tel: 49-7231-424750

**Italy - Milan**  
Tel: 39-0331-742611  
Fax: 39-0331-466781

**Italy - Venice**  
Tel: 39-049-7625286

**Netherlands - Drunen**  
Tel: 31-416-690399  
Fax: 31-416-690340

**Poland - Warsaw**  
Tel: 48-22-3325737

**Spain - Madrid**  
Tel: 34-91-708-08-90  
Fax: 34-91-708-08-91

**Sweden - Stockholm**  
Tel: 46-8-5090-4654

**UK - Wokingham**  
Tel: 44-118-921-5800  
Fax: 44-118-921-5820

01/27/15

Компания «Океан Электроники» предлагает заключение долгосрочных отношений при поставках импортных электронных компонентов на взаимовыгодных условиях!

Наши преимущества:

- Поставка оригинальных импортных электронных компонентов напрямую с производств Америки, Европы и Азии, а так же с крупнейших складов мира;
- Широкая линейка поставок активных и пассивных импортных электронных компонентов (более 30 млн. наименований);
- Поставка сложных, дефицитных, либо снятых с производства позиций;
- Оперативные сроки поставки под заказ (от 5 рабочих дней);
- Экспресс доставка в любую точку России;
- Помощь Конструкторского Отдела и консультации квалифицированных инженеров;
- Техническая поддержка проекта, помощь в подборе аналогов, поставка прототипов;
- Поставка электронных компонентов под контролем ВП;
- Система менеджмента качества сертифицирована по Международному стандарту ISO 9001;
- При необходимости вся продукция военного и аэрокосмического назначения проходит испытания и сертификацию в лаборатории (по согласованию с заказчиком);
- Поставка специализированных компонентов военного и аэрокосмического уровня качества (Xilinx, Altera, Analog Devices, Intersil, Interpoint, Microsemi, Actel, Aeroflex, Peregrine, VPT, Syfer, Eurofarad, Texas Instruments, MS Kennedy, Miteq, Cobham, E2V, MA-COM, Hittite, Mini-Circuits, General Dynamics и др.);

Компания «Океан Электроники» является официальным дистрибьютором и эксклюзивным представителем в России одного из крупнейших производителей разъемов военного и аэрокосмического назначения «JONHON», а так же официальным дистрибьютором и эксклюзивным представителем в России производителя высокотехнологичных и надежных решений для передачи СВЧ сигналов «FORSTAR».



## JONHON

«JONHON» (основан в 1970 г.)

Разъемы специального, военного и аэрокосмического назначения:

(Применяются в военной, авиационной, аэрокосмической, морской, железнодорожной, горно- и нефтедобывающей отраслях промышленности)

«FORSTAR» (основан в 1998 г.)

ВЧ соединители, коаксиальные кабели, кабельные сборки и микроволновые компоненты:

(Применяются в телекоммуникациях гражданского и специального назначения, в средствах связи, РЛС, а так же военной, авиационной и аэрокосмической отраслях промышленности).



Телефон: 8 (812) 309-75-97 (многоканальный)

Факс: 8 (812) 320-03-32

Электронная почта: [ocean@oceanchips.ru](mailto:ocean@oceanchips.ru)

Web: <http://oceanchips.ru/>

Адрес: 198099, г. Санкт-Петербург, ул. Калинина, д. 2, корп. 4, лит. А