

**FEATURES**

- 3.3V and 5V power supply options
- Up to 2.5Gbps operation
- Low noise
- Chatter-free signal detect (SD) generation
- Open collector TTL signal detect (SD) output
- TTL EN input
- Differential PECL inputs for data
- Single power supply
- Designed for use with Micrel-Synergy laser diode driver and controller
- Available in a tiny (3mm) 10-pin MSOP

**APPLICATIONS**

- 1.25Gbps and 2.5Gbps ethernet
- 531Mbps, 1062Mbps and 2.12Gbps Fibre Channel
- 622Mbps SONET
- Gigabit interface converter
- 2.5Gbps SDH/SONET
- 2.5Gbps proprietary links

**DESCRIPTION**

The SY88943V limiting post amplifier with its high gain and wide bandwidth is ideal for use as a post amplifier in fiber-optic receivers with data rates up to 2.5Gbps. Signals as small as 5mVp-p can be amplified to drive devices with PECL inputs. The SY88943V generates a chatter-free Signal Detect (SD) open collector TTL output.

The SY88943V incorporates a programmable level detect function to identify when the input signal has been lost. The SD output will change from logic "HIGH" to logic "LOW" when input signal is smaller than the swing set by  $SD_{LVL}$ . This information can be fed back to the EN input of the device to maintain stability under loss of signal condition. Using  $SD_{LVL}$  pin, the sensitivity of the level detection can be adjusted. The  $SD_{LVL}$  voltage can be set by connecting a resistor divider between  $V_{CC}$  and  $V_{REF}$  as shown in Figure 3. Figure 4, 5, 6, and 7 show the relationship between input level sensitivity and the voltage set on  $SD_{LVL}$ .

The SD output is a TTL open collector output that requires a pull-up resistor for proper operation, Figure 1.

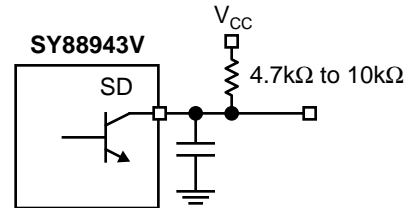
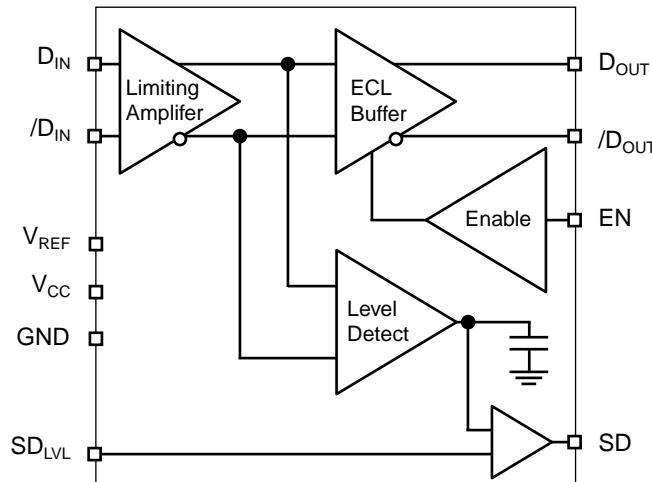
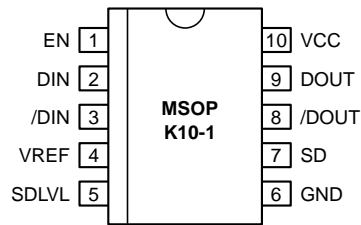


Figure 1. SD Output with Desired Rise Time

**BLOCK DIAGRAM**



## PACKAGE/ORDERING INFORMATION



10-Pin MSOP (K10-1)

## Ordering Information

Part Number	Package Type	Operating Range	Package Marking	Lead Finish
SY88943VKC	K10-1	Commercial	943V	Sn-Pb
SY88943VKCTR <sup>(1)</sup>	K10-1	Commercial	943V	Sn-Pb
SY88943VKG	K10-1	Commercial	943V with Pb-Free bar-line indicator	Pb-Free NiPdAu
SY88943VKGTR <sup>(1)</sup>	K10-1	Commercial	943V with Pb-Free bar-line indicator	Pb-Free NiPdAu

**Note:**

1. Tape and Reel.

## PIN NAMES

Pin	Type	Function
D <sub>IN</sub>	Data Input	Data Input
/D <sub>IN</sub>	Data Input	Inverting Data Input
SD <sub>LVL</sub>	Input	SD Level Set
EN	TTL Input	Output Enable (Active High)
SD	TTL Output (Open Collector)	Signal Detect
GND	Ground	Ground
/D <sub>OUT</sub>	PECL Output	Inverting Data Output
D <sub>OUT</sub>	PECL Output	Data Output
V <sub>CC</sub>	Power Supply	Positive Power Supply
V <sub>REF</sub>	Output	Reference Voltage Output for SD Level Set (see Fig. 3)

## GENERAL DESCRIPTION

### General

The SY88943V is an integrated limiting amplifier intended for high-frequency fiber-optic applications. The circuit connects to typical transimpedance amplifiers found within a fiber-optics link. The linear signal output from a transimpedance amplifier can contain significant amounts of noise, and may vary in amplitude over time. The SY88943V limiting amplifier quantizes the signal and outputs a voltage-limited waveform.

The EN pin allows the user to disable the output signal without removing the input signal.

## ABSOLUTE MAXIMUM RATINGS<sup>(1)</sup>

Symbol	Rating	Value	Unit
V <sub>CC</sub>	Power Supply Voltage	0 to +7.0	V
D <sub>IN</sub> , /D <sub>IN</sub>	Input Voltage	0 to V <sub>CC</sub>	V
D <sub>OUT</sub> , /D <sub>OUT</sub>	Output Voltage (with 50Ω load)	V <sub>CC</sub> -2.5 to V <sub>CC</sub> +0.3	V
EN	Input Voltage	0 to V <sub>CC</sub>	V
SD <sub>LVL</sub>	Input Voltage	0 to V <sub>CC</sub>	V
V <sub>REF</sub>	Output Voltage	V <sub>CC</sub> -2.0 to V <sub>CC</sub>	V
T <sub>A</sub>	Operating Temperature Range	-40 to +85	°C
T <sub>store</sub>	Storage Temperature Range	-55 to +125	°C

**Note:**

1. Permanent device damage may occur if absolute maximum ratings are exceeded. This is a stress rating only and functional operation is not implied at conditions other than those detailed in the operational sections of this data sheet. Exposure to absolute maximum rating conditions for extended periods may affect device reliability.

### DC ELECTRICAL CHARACTERISTICS

$V_{CC} = +5V \pm 10\%$ ,  $R_{LOAD} = 50\Omega$  to  $V_{CC} - 2V$

Symbol	Parameter	$T_A = -40^\circ C$		$T_A = 0^\circ C$		$T_A = +25^\circ C$			$T_A = +85^\circ C$		Unit
		Min.	Max.	Min.	Max.	Min.	Typ.	Max.	Min.	Max.	
$I_{CC}$	Power Supply Current <sup>(1)</sup>	—	40	—	40	—	33	40	—	45	mA
	5V	—	40	—	40	—	28	40	—	45	
$I_{IL}$	EN Input LOW Current	-0.3 <sup>(6)</sup>	—	-0.3 <sup>(6)</sup>	—	-0.3 <sup>(6)</sup>	—	—	-0.3 <sup>(6)</sup>	—	mA
$I_{IH}$	EN Input HIGH Current	—	20 <sup>(4)</sup>	—	20 <sup>(4)</sup>	—	—	20 <sup>(4)</sup>	—	20 <sup>(4)</sup>	$\mu A$
		—	100 <sup>(5)</sup>	—	100 <sup>(5)</sup>	—	—	100 <sup>(5)</sup>	—	100 <sup>(5)</sup>	
$V_{CMR}$	Common Mode Range	GND +2.0	$V_{CC}$	GND +2.0	$V_{CC}$	GND +2.0	—	$V_{CC}$	GND +2.0	$V_{CC}$	V
$V_{offset}$	Differential Output Offset	—	$\pm 100$	—	$\pm 100$	—	$\pm 17$	$\pm 100$	—	$\pm 100$	mV
$SD_{LVL}$	$SD_{LVL}$ Level	$V_{REF}$	$V_{CC}$	$V_{REF}$	$V_{CC}$	$V_{REF}$	—	$V_{CC}$	$V_{REF}$	$V_{CC}$	V
$V_{OL}$	SD Output Low Level <sup>(2)</sup>	—	0.5	—	0.5	—	—	0.5	—	0.5	V
$I_{OH}$	SD Output Leakage <sup>(3)</sup>	—	100	—	100	—	—	100	—	100	$\mu A$
$V_{OH}$	$D_{OUT}$ and $/D_{OUT}$ HIGH Output	$V_{CC} - 1085$	$V_{CC} - 880$	$V_{CC} - 1025$	$V_{CC} - 880$	$V_{CC} - 1025$	$V_{CC} - 955$	$V_{CC} - 880$	$V_{CC} - 1025$	$V_{CC} - 880$	mV
$V_{OL}$	$D_{OUT}$ and $/D_{OUT}$ LOW Output	$V_{CC} - 1830$	$V_{CC} - 1555$	$V_{CC} - 1810$	$V_{CC} - 1620$	$V_{CC} - 1810$	$V_{CC} - 1705$	$V_{CC} - 1620$	$V_{CC} - 1810$	$V_{CC} - 1620$	mV
$V_{REF}$	Reference Supply	$V_{CC} - 1.38$	$V_{CC} - 1.26$	$V_{CC} - 1.38$	$V_{CC} - 1.26$	$V_{CC} - 1.38$	$V_{CC} - 1.32$	$V_{CC} - 1.26$	$V_{CC} - 1.38$	$V_{CC} - 1.26$	V
$I_{REF}$	$V_{REF}$ Output Current	-0.8	0.5	-0.8	0.5	-0.8	—	0.5	-0.8	0.5	mA
$V_{IH}$	EN Input HIGH Voltage	2.0	—	2.0	—	2.0	—	—	2.0	—	V
$V_{IL}$	EN Input LOW Voltage	—	0.8	—	0.8	—	—	0.8	—	0.8	V

**Notes:**

1. No output load
2.  $I_{OL} = + 2mA$
3.  $V_{OH} = 5.5V$

4.  $V_{IN} = 2.7V$
5.  $V_{IN} = V_{CC}$
6.  $V_{IN} = 0.5V$

### AC ELECTRICAL CHARACTERISTICS

$V_{CC} = +5V \pm 10\%$ ,  $R_{LOAD} = 50\Omega$  to  $V_{CC} - 2V$

Symbol	Parameter	$T_A = -40^\circ C$		$T_A = 0^\circ C$		$T_A = +25^\circ C$			$T_A = +85^\circ C$		Unit	Conditions
		Min.	Max.	Min.	Max.	Min.	Typ.	Max.	Min.	Max.		
PSRR	Power Supply <sup>(1)</sup> Rejection Ratio	—	—	—	—	—	35	—	—	—	dB	Input referred, 55MHz
$V_{ID}$	Input Voltage Range	5	1800	5	1800	5	—	1800	5	1800	mV <sub>PP</sub>	
$V_{OD}$	Differential Output Voltage Swing <sup>(2)</sup>	—	—	—	—	—	700	—	—	—	mV	$V_{ID} = 15mV_{PP}$ $V_{ID} = 5mV_{PP}$
		—	—	—	—	—	300	—	—	—	mV	
$t_{ONL}$	SD Release Time <sup>(3)</sup> Minimum Input	—	0.5	—	0.5	—	0.2	0.5	—	0.5	$\mu s$	
$t_{ONH}$	SD Release Time <sup>(4)</sup> Maximum Input	—	0.5	—	0.5	—	0.2	0.5	—	0.5	$\mu s$	
$t_{OFFL}$	SD Assert Time <sup>(3)</sup>	—	0.5	—	0.5	—	0.1	0.5	—	0.5	$\mu s$	
$V_{SR}$	SD Sensitivity Range	5	50	5	50	5	—	50	5	50	mV <sub>PP</sub>	2 <sup>23</sup> -1 pattern
HYS	SD Hysteresis	2	8	2	8	2	4.6	8	2	8	dB	2 <sup>23</sup> -1 pattern
$t_r, t_f$	Output Rise/Fall Time	—	175	—	175	—	150	175	—	175	ps	$V_{ID} > 100mV_{PP}$ $V_{ID} < 100mV_{PP}$
		—	—	—	—	—	$t_{rin}, t_{fin}$	—	—	—		

**Notes:**

1. Input referred noise = RMS output noise/low frequency gain.
2. Input is a 622MHz square wave.

3. Input is a 200MHz square wave,  $t_r < 300ps$ ,  $8mV_{PP}$ .
4. Input is a 200MHz square wave,  $t_r < 300ps$ ,  $1.8V_{PP}$ .

## DESIGN PROCEDURE

### Output Termination

The SY88943V outputs must be terminated with a  $50\Omega$  load to  $V_{CC} - 2V$  (or Thevenin equivalent).

### Layout and PCB Design

Since the SY88943V is a high-frequency component, performance can be largely determined by the board layout and design. A common problem with high-gain amplifiers is the feedback from the large swing outputs to the input via the power supply.

The SY88943V ground pin should be connected to the circuit board ground. Use multiple PCB vias close to the part to connect to ground. Avoid long, inductive runs which can degrade performance.

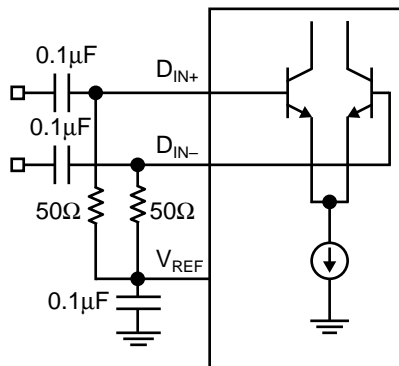


Figure 2. Differential Input Configuration

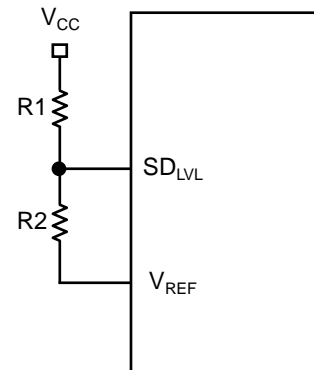


Figure 3.  $SD_{LVL}$  Circuit

**Notes:**

$$SD_{LVL} = V_{CC} - 1.32V + \frac{R2 \times 1.32V}{R1 + R2}$$

$$R1 + R2 \geq 2.6k\Omega$$

**PERFORMANCE CURVE**

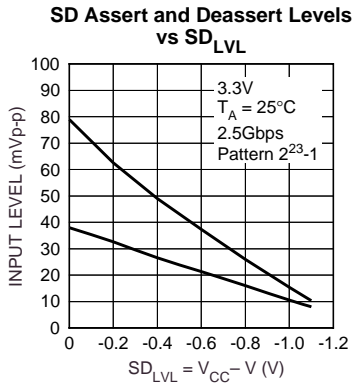


Figure 4.

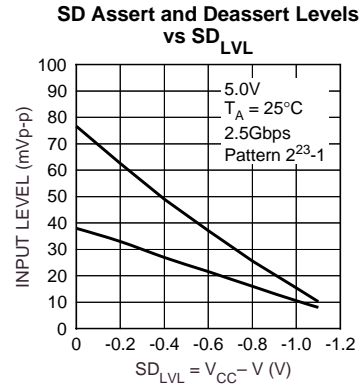


Figure 5.

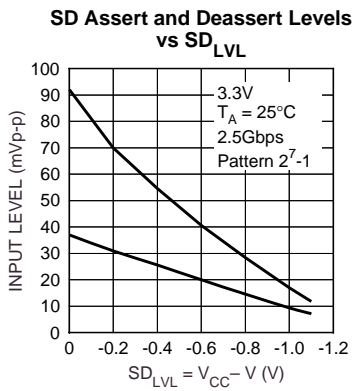


Figure 6.

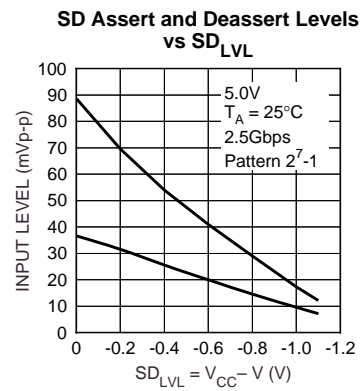
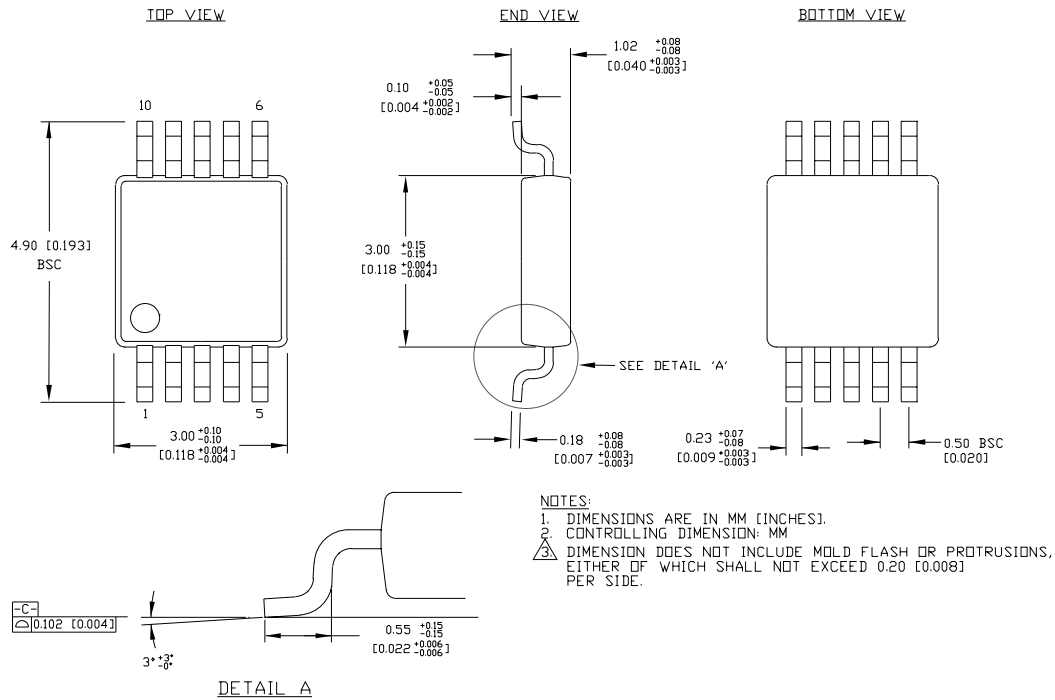


Figure 7.

**10 LEAD MSOP (K10-1)**



Rev. 00

**MICREL, INC. 2180 FORTUNE DRIVE SAN JOSE, CA 95131 USA**

TEL + 1 (408) 944-0800 FAX + 1 (408) 474-1000 WEB <http://www.micrel.com>

The information furnished by Micrel in this datasheet is believed to be accurate and reliable. However, no responsibility is assumed by Micrel for its use. Micrel reserves the right to change circuitry and specifications at any time without notification to the customer.

Micrel Products are not designed or authorized for use as components in life support appliances, devices or systems where malfunction of a product can reasonably be expected to result in personal injury. Life support devices or systems are devices or systems that (a) are intended for surgical implant into the body or (b) support or sustain life, and whose failure to perform can be reasonably expected to result in a significant injury to the user. A Purchaser's use or sale of Micrel Products for use in life support appliances, devices or systems is at Purchaser's own risk and Purchaser agrees to fully indemnify Micrel for any damages resulting from such use or sale.

© 2005 Micrel, Incorporated.

Компания «Океан Электроники» предлагает заключение долгосрочных отношений при поставках импортных электронных компонентов на взаимовыгодных условиях!

Наши преимущества:

- Поставка оригинальных импортных электронных компонентов напрямую с производств Америки, Европы и Азии, а так же с крупнейших складов мира;
- Широкая линейка поставок активных и пассивных импортных электронных компонентов (более 30 млн. наименований);
- Поставка сложных, дефицитных, либо снятых с производства позиций;
- Оперативные сроки поставки под заказ (от 5 рабочих дней);
- Экспресс доставка в любую точку России;
- Помощь Конструкторского Отдела и консультации квалифицированных инженеров;
- Техническая поддержка проекта, помощь в подборе аналогов, поставка прототипов;
- Поставка электронных компонентов под контролем ВП;
- Система менеджмента качества сертифицирована по Международному стандарту ISO 9001;
- При необходимости вся продукция военного и аэрокосмического назначения проходит испытания и сертификацию в лаборатории (по согласованию с заказчиком);
- Поставка специализированных компонентов военного и аэрокосмического уровня качества (Xilinx, Altera, Analog Devices, Intersil, Interpoint, Microsemi, Actel, Aeroflex, Peregrine, VPT, Syfer, Eurofarad, Texas Instruments, MS Kennedy, Miteq, Cobham, E2V, MA-COM, Hittite, Mini-Circuits, General Dynamics и др.);

Компания «Океан Электроники» является официальным дистрибьютором и эксклюзивным представителем в России одного из крупнейших производителей разъемов военного и аэрокосмического назначения «JONHON», а так же официальным дистрибьютором и эксклюзивным представителем в России производителя высокотехнологичных и надежных решений для передачи СВЧ сигналов «FORSTAR».



## JONHON

«JONHON» (основан в 1970 г.)

Разъемы специального, военного и аэрокосмического назначения:

(Применяются в военной, авиационной, аэрокосмической, морской, железнодорожной, горно- и нефтедобывающей отраслях промышленности)

«FORSTAR» (основан в 1998 г.)

ВЧ соединители, коаксиальные кабели, кабельные сборки и микроволновые компоненты:

(Применяются в телекоммуникациях гражданского и специального назначения, в средствах связи, РЛС, а так же военной, авиационной и аэрокосмической отраслях промышленности).



Телефон: 8 (812) 309-75-97 (многоканальный)

Факс: 8 (812) 320-03-32

Электронная почта: [ocean@oceanchips.ru](mailto:ocean@oceanchips.ru)

Web: <http://oceanchips.ru/>

Адрес: 198099, г. Санкт-Петербург, ул. Калинина, д. 2, корп. 4, лит. А