

# Type SCR Commutating Capacitors

## Type SCR Film-Paper/Extended Foil Commutating Capacitor



Type SCR capacitors are for SCR (silicon controlled rectifier) commutating applications that require high peak and rms current capability. These capacitors are ideal for other high frequency and pulsed applications. The SCR is supplied in oval or rectangular metal cases with 1/4 x 20 threaded stud and insulated terminals to withstand high current and high peak voltages.

### Highlights

- Conforms to EIA RS401 for power semiconductor applications
- Non ferrous covers available for high frequency applications
- 40,000 hours life at full rated voltage and temperature
- High voltage, high current and high frequency

### Specifications



Complies with the EU Directive 2002/95/EC requirement restricting the use of Lead (Pb), Mercury (Hg), Cadmium (Cd), Hexavalent chromium (Cr(VI)), PolyBrominated Biphenyls (PBB) and PolyBrominated Diphenyl Ethers (PBDE).

**Capacitance Range:** 0.25  $\mu$ F to 50.0  $\mu$ F

**Voltage Range:** 200 Vpk to 2000 Vpk

**Capacitance Tolerance:**  $\pm$ 10%

**Temperature Range:**  $-40^{\circ}$ C to  $+65^{\circ}$ C

**Surface Temperature:**  $+80^{\circ}$ C

### Ratings

| Cap<br>( $\mu$ F)                          | Catalog<br>Part Number | Case<br>Code | H<br>(In.) | Max VA<br>(65 $^{\circ}$ C) | Max<br>(Arms) |
|--|------------------------|--------------|------------|-----------------------------|---------------|
| <b>200 Vpk (Paper Dielectric)</b>          |                        |              |            |                             |               |
| 3  | SCRN201R-F             | A            | 2.13       | 400                         | 60            |
| 5  | SCRN202R-F             | A            | 2.63       | 465                         | 60            |
| 10   | SCRN203R-F             | A            | 3.88       | 625                         | 60            |
| 15   | SCRN205R-F             | A            | 4.75       | 765                         | 60            |
| 20   | SCRN206R-F             | B            | 4.25       | 875                         | 60            |
| 30   | SCRN208R-F             | C            | 5.25       | 1200                        | 60            |
| 40   | SCRN209R-F             | C            | 6.75       | 1500                        | 60            |
| 50   | SCRN210R-F             | D            | 5.75       | 1590                        | 60            |
| <b>400 Vpk (Film and Paper Dielectric)</b> |                        |              |            |                             |               |
| 2  | SCRN211R-F             | A            | 2.63       | 790                         | 60            |
| 3  | SCRN212R-F             | A            | 2.63       | 970                         | 60            |
| 5  | SCRN213R-F             | A            | 3.88       | 1130                        | 60            |
| 10   | SCRN214R-F             | B            | 4.75       | 1930                        | 60            |
| 15   | SCRN215R-F             | C            | 4.75       | 2240                        | 60            |
| 20   | SCRN216R-F             | C            | 6.25       | 2800                        | 60            |
| 30   | SCRN217R-F             | D            | 6.75       | 3720                        | 60            |
| 40   | SCRN218R-F             | D            | 8.00       | 4330                        | 60            |
| 50   | SCRN219R-F             | E            | 6.25       | 6050                        | 100           |
| <b>600 Vpk (Film and Paper Dielectric)</b> |                        |              |            |                             |               |
| 2  | SCRN220R-F             | A            | 2.63       | 815                         | 60            |
| 3  | SCRN221R-F             | A            | 3.13       | 1200                        | 60            |
| 5  | SCRN222R-F             | A            | 4.25       | 1420                        | 60            |
| 10   | SCRN224R-F             | C            | 4.25       | 2040                        | 60            |
| 15   | SCRN226R-F             | C            | 5.75       | 2800                        | 60            |
| 20   | SCRN227R-F             | D            | 5.75       | 3260                        | 60            |
| 25   | SCRN229R-F             | D            | 6.75       | 3720                        | 60            |
| 30   | SCRN230R-F             | D            | 8.00       | 4330                        | 60            |
| 40   | SCRN231R-F             | E            | 6.25       | 6060                        | 100           |
| 50   | SCRN232R-F             | E            | 7.25       | 6850                        | 100           |

| Cap<br>( $\mu$ F)                             | Catalog<br>Part Number | Case<br>Code | H<br>(In.) | Max VA<br>(65 $^{\circ}$ C) | Max<br>(Arms) |
|---|------------------------|--------------|------------|-----------------------------|---------------|
| <b>600 Vpk (Film Dielectric for Low-loss)</b> |                        |              |            |                             |               |
| 1   | SCRN262R-F             | A            | 2.38       | 2200                        | 60            |
| 2   | SCRN263R-F             | A            | 2.38       | 2060                        | 60            |
| 3   | SCRN264R-F             | A            | 3.88       | 3190                        | 60            |
| 5   | SCRN265R-F             | A            | 4.25       | 4380                        | 60            |
| 10  | SCRN266R-F             | C            | 4.25       | 6060                        | 60            |
| <b>1000 Vpk (Film and Paper Dielectric)</b>   |                        |              |            |                             |               |
| 1   | SCRN233R-F             | A            | 2.13       | 790                         | 60            |
| 2   | SCRN234R-F             | A            | 3.13       | 1070                        | 60            |
| 3   | SCRN235R-F             | A            | 3.88       | 1455                        | 60            |
| 5   | SCRN236R-F             | B            | 4.25       | 1785                        | 60            |
| 10  | SCRN237R-F             | C            | 5.75       | 2570                        | 60            |
| 15  | SCRN238R-F             | D            | 5.75       | 3170                        | 60            |
| 20  | SCRN239R-F             | E            | 5.13       | 5200                        | 100           |
| <b>1500 Vpk (Film and Paper Dielectric)</b>   |                        |              |            |                             |               |
| .5  | SCRN240R-F             | A            | 2.13       | 990                         | 60            |
| 1   | SCRN241R-F             | A            | 2.88       | 1240                        | 60            |
| 2   | SCRN242R-F             | B            | 3.50       | 1890                        | 60            |
| 3   | SCRN243R-F             | C            | 4.25       | 2550                        | 60            |
| 5   | SCRN244R-F             | C            | 5.75       | 3250                        | 60            |
| 10  | SCRN245R-F             | E            | 5.13       | 6500                        | 100           |
| <b>2000 Vpk (Film and Paper Dielectric)</b>   |                        |              |            |                             |               |
| .25   | SCRN246R-F             | A            | 2.13       | 990                         | 60            |
| .33   | SCRN257R-F             | A            | 2.13       | 1000                        | 60            |
| .5  | SCRN247R-F             | A            | 2.63       | 1180                        | 60            |
| 1   | SCRN248R-F             | A            | 3.13       | 1300                        | 60            |
| 2   | SCRN249R-F             | B            | 4.25       | 2230                        | 60            |
| 3   | SCRN251R-F             | C            | 4.75       | 2800                        | 60            |
| 5   | SCRN253R-F             | D            | 5.75       | 4020                        | 60            |
| 10  | SCRN256R-F             | F            | 5.75       | 7600                        | 100           |

# Type SCR Commutating Capacitors

## Outline Drawings

RoHS Compliant

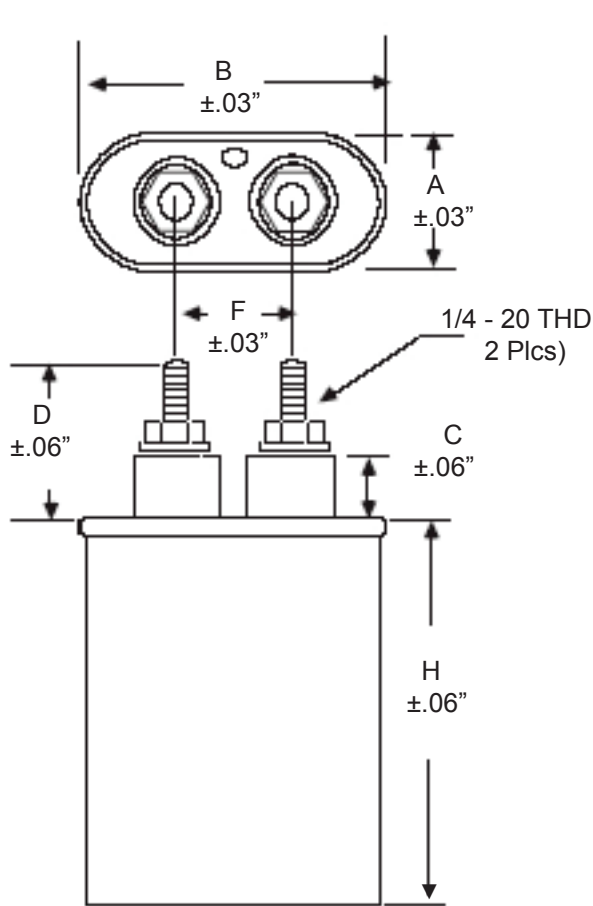


Figure 1

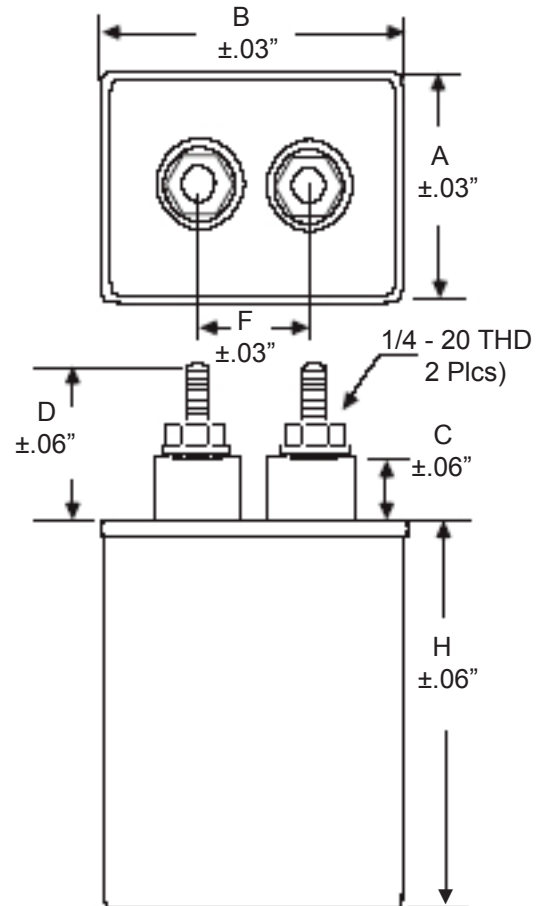


Figure 2

| Case Code | Dimensions Inches |      |      |      |      |           | Figure |
|-----------|-------------------|------|------|------|------|-----------|--------|
|           | A                 | B    | C    | D    | F    | H         |        |
| A         | 1.31              | 2.16 | 0.56 | 1.19 | 0.81 | see table | Fig. 1 |
| B         | 1.56              | 2.69 | 0.50 | 1.13 | 1.25 | see table | Fig. 1 |
| C         | 1.91              | 2.91 | 0.50 | 1.13 | 1.38 | see table | Fig. 1 |
| D         | 1.97              | 3.66 | 0.50 | 1.13 | 1.38 | see table | Fig. 1 |
| E         | 2.84              | 4.56 | 0.50 | 1.13 | 2.00 | see table | Fig. 2 |
| F         | 3.75              | 4.56 | 0.56 | 1.19 | 2.00 | see table | Fig. 2 |

## Mounting Hardware

See catalog page 5.000 for hardware

# Type SCR Commutating Capacitors

## How to Choose a Commutating Capacitor

1. From circuit analysis or measurement, determine application values for these six parameters:

- Nominal capacitance in  $\mu\text{F}$
- Current pulse width in  $\mu\text{s}$
- Current pulse period in  $\mu\text{s}$
- Maximum peak voltage
- Continuous AC voltage in  $V_{\text{rms}}$
- Maximum volt-amps (VA)

2. Choose a capacitor from the ratings table of the desired nominal capacitance with a peak voltage rating no less than your maximum peak voltage.

3. Check that your application's rms current is no more than the capacitor's Max. Amps RMS. You can calculate

the current from your  $V_{\text{rms}}$  using the equations in the following section.

4. Check that your application's volt-amperes is not more than the capacitor's VA capability. The VA capability is the max VA rating times the Volt-Ampere multiplier from Figure 2 (Current Pulse Width) and that times the Volt-Ampere Multiplier from Figure 3 (Ambient Temperature). See the following section for more on using volt-ampere multipliers

If you need a greater VA capability, repeat these steps for a higher peak voltage capacitor or consider connecting units in parallel to divide the VA required. For up to peak voltage of 600 V, you may also consider polypropylene film dielectric units, Catalog Numbers SCRN262R through SCRN266R, with higher VA capability.

## Using Volt-Ampere Ratings

The capacitors maximum VA rating is the maximum product of the sine wave voltage and current that may be applied at 65 °C without overheating the capacitor and reducing its expected life. For other temperatures and pulsed current, use the multipliers of Figures 2 and 3 to derate the Max VA rating.

The Max Amps RMS rating is set by the capability of the capacitor terminals. Exceeding this limit can damage the terminals and cause capacitor failure.

Calculate the capacitor's actual VA load as the product of the rms voltage across the capacitor and the rms current through the capacitor. To calculate rms current for an applied sine wave or squarewave voltage, use these equations.

For a sinewave voltage the current is:

$$I_{\text{rms}} = 2\pi f C V_{\text{rms}} \times 10^{-6}$$

and for a squarewave the current is:

$$I_{\text{rms}} = C \Delta V / [0.64(tT)^{0.5}] = I_{\text{peak}}(t/T)^{0.5}$$

where (f) is repetition frequency in Hz, C is nominal capacitance in  $\mu\text{F}$ ,  $\Delta V$  the peak-to-peak squarewave amplitude in volts, (t) is the pulse width in  $\mu\text{s}$  and T is the pulse period in  $\mu\text{s}$ .

The peak current for the square wave voltage is:

$$I_{\text{peak}} = C \Delta V / 0.64t$$

Pulse Wave Applications

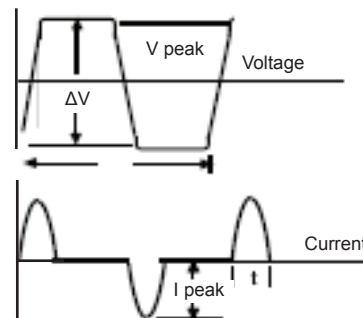


Figure 1

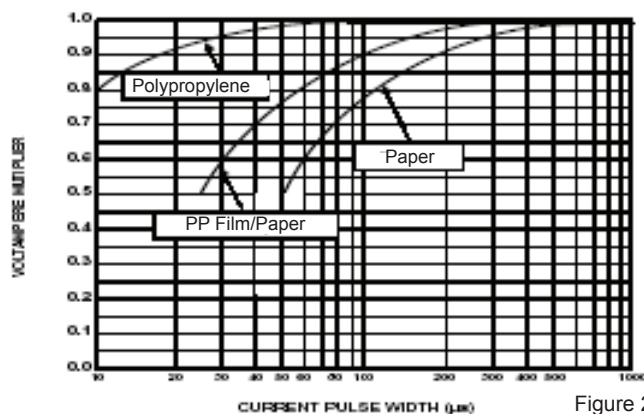


Figure 2



Figure 3

Компания «Океан Электроники» предлагает заключение долгосрочных отношений при поставках импортных электронных компонентов на взаимовыгодных условиях!

Наши преимущества:

- Поставка оригинальных импортных электронных компонентов напрямую с производств Америки, Европы и Азии, а так же с крупнейших складов мира;
- Широкая линейка поставок активных и пассивных импортных электронных компонентов (более 30 млн. наименований);
- Поставка сложных, дефицитных, либо снятых с производства позиций;
- Оперативные сроки поставки под заказ (от 5 рабочих дней);
- Экспресс доставка в любую точку России;
- Помощь Конструкторского Отдела и консультации квалифицированных инженеров;
- Техническая поддержка проекта, помощь в подборе аналогов, поставка прототипов;
- Поставка электронных компонентов под контролем ВП;
- Система менеджмента качества сертифицирована по Международному стандарту ISO 9001;
- При необходимости вся продукция военного и аэрокосмического назначения проходит испытания и сертификацию в лаборатории (по согласованию с заказчиком);
- Поставка специализированных компонентов военного и аэрокосмического уровня качества (Xilinx, Altera, Analog Devices, Intersil, Interpoint, Microsemi, Actel, Aeroflex, Peregrine, VPT, Syfer, Eurofarad, Texas Instruments, MS Kennedy, Miteq, Cobham, E2V, MA-COM, Hittite, Mini-Circuits, General Dynamics и др.);

Компания «Океан Электроники» является официальным дистрибьютором и эксклюзивным представителем в России одного из крупнейших производителей разъемов военного и аэрокосмического назначения «JONHON», а так же официальным дистрибьютором и эксклюзивным представителем в России производителя высокотехнологичных и надежных решений для передачи СВЧ сигналов «FORSTAR».



## JONHON

«JONHON» (основан в 1970 г.)

Разъемы специального, военного и аэрокосмического назначения:

(Применяются в военной, авиационной, аэрокосмической, морской, железнодорожной, горно- и нефтедобывающей отраслях промышленности)

«FORSTAR» (основан в 1998 г.)

ВЧ соединители, коаксиальные кабели,  
кабельные сборки и микроволновые компоненты:

(Применяются в телекоммуникациях гражданского и специального назначения, в средствах связи, РЛС, а так же военной, авиационной и аэрокосмической отраслях промышленности).



Телефон: 8 (812) 309-75-97 (многоканальный)

Факс: 8 (812) 320-03-32

Электронная почта: [ocean@oceanchips.ru](mailto:ocean@oceanchips.ru)

Web: <http://oceanchips.ru/>

Адрес: 198099, г. Санкт-Петербург, ул. Калинина, д. 2, корп. 4, лит. А