

LTC2754-16

Quad 16-Bit SoftSpan I_{OUT} DAC

DESCRIPTION

Demonstration circuit 1546A features the **LTC2754-16** dual 16-bit SoftSpan™ I_{OUT} DAC. This device features six output ranges: 0V to 5V, 0V to 10V, ±5V, ±10V, ±2.5V, and -2.5V to 7.5V. The DAC has offset adjustment and gain-adjustment pins to allow optimization of transient response.

Design files for this circuit board are available at <http://www.linear.com/demo>

LT, LT, LTC, LTM, Linear Technology and the Linear logo are registered trademarks and QuikEval and SoftSpan are a trademarks of Linear Technology Corporation. All other trademarks are the property of their respective owners.

BOARD PHOTO

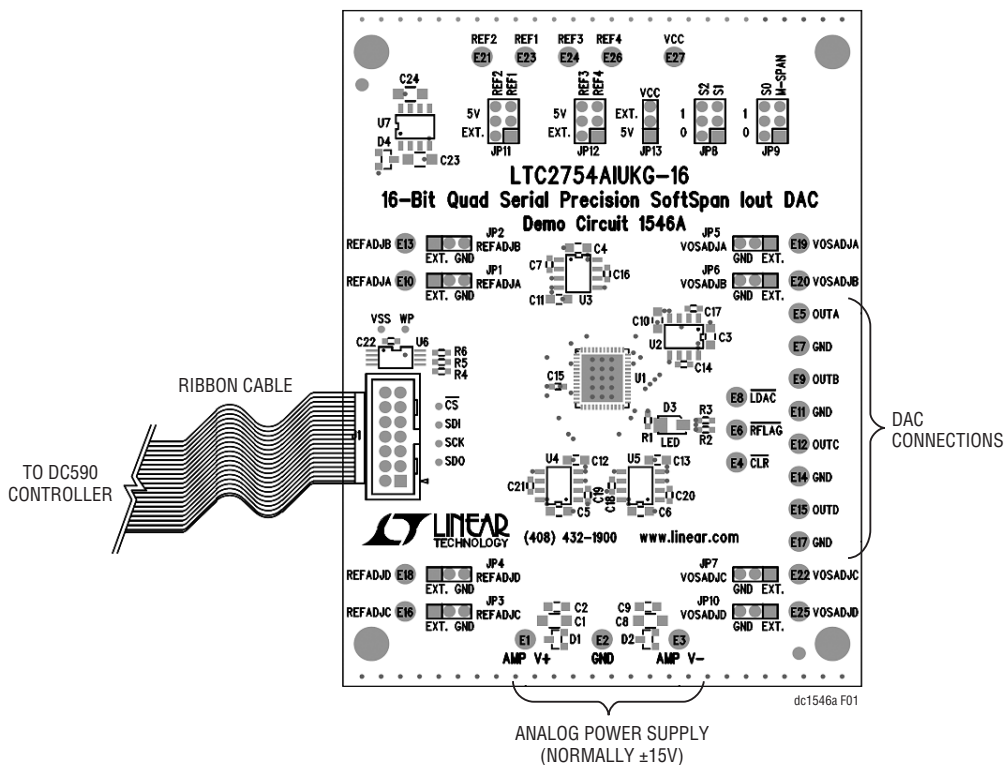


Figure 1. DC1546A Connection Diagram

QUICK START PROCEDURE

1. Connect a clean $\pm 15V$ power supply to the AMPV⁺ and AMPV⁻ turret posts at the bottom of the DC1546A board.
2. Connect J1 to a DC590 USB serial controller using the supplied 14-conductor ribbon cable.
3. Connect the DC590 to a host PC with a standard USB A/B cable.
4. Run the QuikEval™ evaluation software supplied with the DC590 or download it from www.linear.com/software. The correct control panel will be loaded automatically.

The software automatically sets the LTC2754-16 outputs according to the entries in the control panel. A square wave option is available to test settling time. The MSPAN jumper should be low if software span control is desired.

Additional software documentation may be available from the Help menu item, as features may be added periodically.

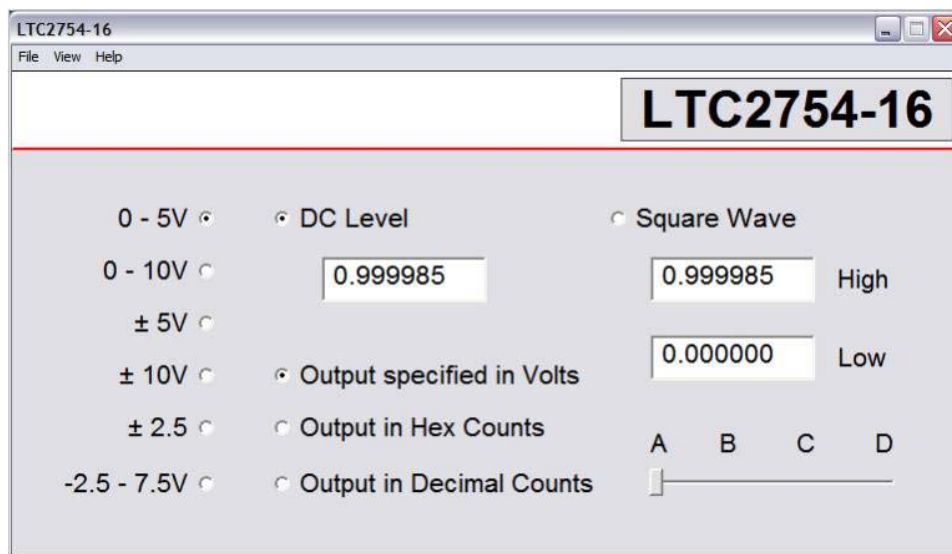


Figure 2. QuikEval Software Screenshot

HARDWARE SETUP

JUMPERS

MSPAN: Manual Span Control Pin. MSPAN is used to configure the LTC2754-16 for operation in a single, fixed output range. If MSPAN is high it will be configured for single span use. If MSPAN is low it will be set through the QuikEval software. The default position is 0 (low).

S0, S1, S2: Used to set the fixed output range if MSPAN is high. Default is all jumpers removed, allowing software span control.

S2	S1	S0	SPAN
0	0	0	Unipolar 0V to 5V
0	0	1	Unipolar 0V to 10V
0	1	0	Bipolar -5V to 5V
0	1	1	Bipolar -10V to 10V
1	0	0	Bipolar -2.5V to 2.5V
1	0	1	Bipolar -2.5V to 7.5V

Codes not shown are reserved and should not be used.

VREF: Voltage reference selection for the DAC, either 5V for the onboard LT1236 reference or EXT if an external reference source is connected to the VREF turret post.

VOSA, VOSB, VOSC, VOVD: Offset adjustment selection for DACA, DACB, DACC, DACD. If no offset adjustment is required, select GND. Selecting EXT connects the offset pin to the turret allowing external adjustment of offset.

REFADJA, REFADJB, REFADJC, REFADJD: Gain-adjustment selection for each associated DAC. If no gain-adjustment is required, select GND. Selecting EXT connects the gain pin to the turret allowing external adjustment of gain.

VCC: Select source for 5V V_{CC} supply. Set to 5V for supply by onboard LT1236 reference (recommended). Set to REG to be supplied by regulated supply from the DC590 controller and remove the jumper to supply externally.

ANALOG CONNECTIONS

OUTA, OUTB, OUTC, OUTD: DAC Voltage Outputs.

VREF: DAC Reference Voltage. If the onboard LT1236 references are selected, the voltage may be measured at these points. If a remote reference is selected, then an external reference must be applied to these points.

VOSA, VOSB, VOSC, VOVD: DAC Offset Adjust Input. Use only if the VOSA/VOSB/VOSC/VOVD jumper is set to EXT. Nominal input range is $\pm 5V$.

REFADJA, REFADJB, REFADJC, REFADJD: Gain-adjust input for each associated DAC. This control input can be used to null gain error or to compensate for reference errors. Only used if the associated REFADJ jumper is set to EXT.

DIGITAL CONNECTIONS (TURRET POSTS)

CLR: Asynchronous Clear Pin. Pulled high through a 10k on the board but can be driven low to clear all DAC registers.

RFLAG: Reset Flag Pin. Active low output.

LDAC: Asynchronous DAC Load Input. Pulled high through a 10k on the board, but can be driven low to update all DAC registers

GROUNDING AND POWER CONNECTIONS

Analog Power: The 15V, -15V and GND turret posts are the analog supplies for the internal DAC amplifiers. These should be connected to a well regulated, low noise power supply.

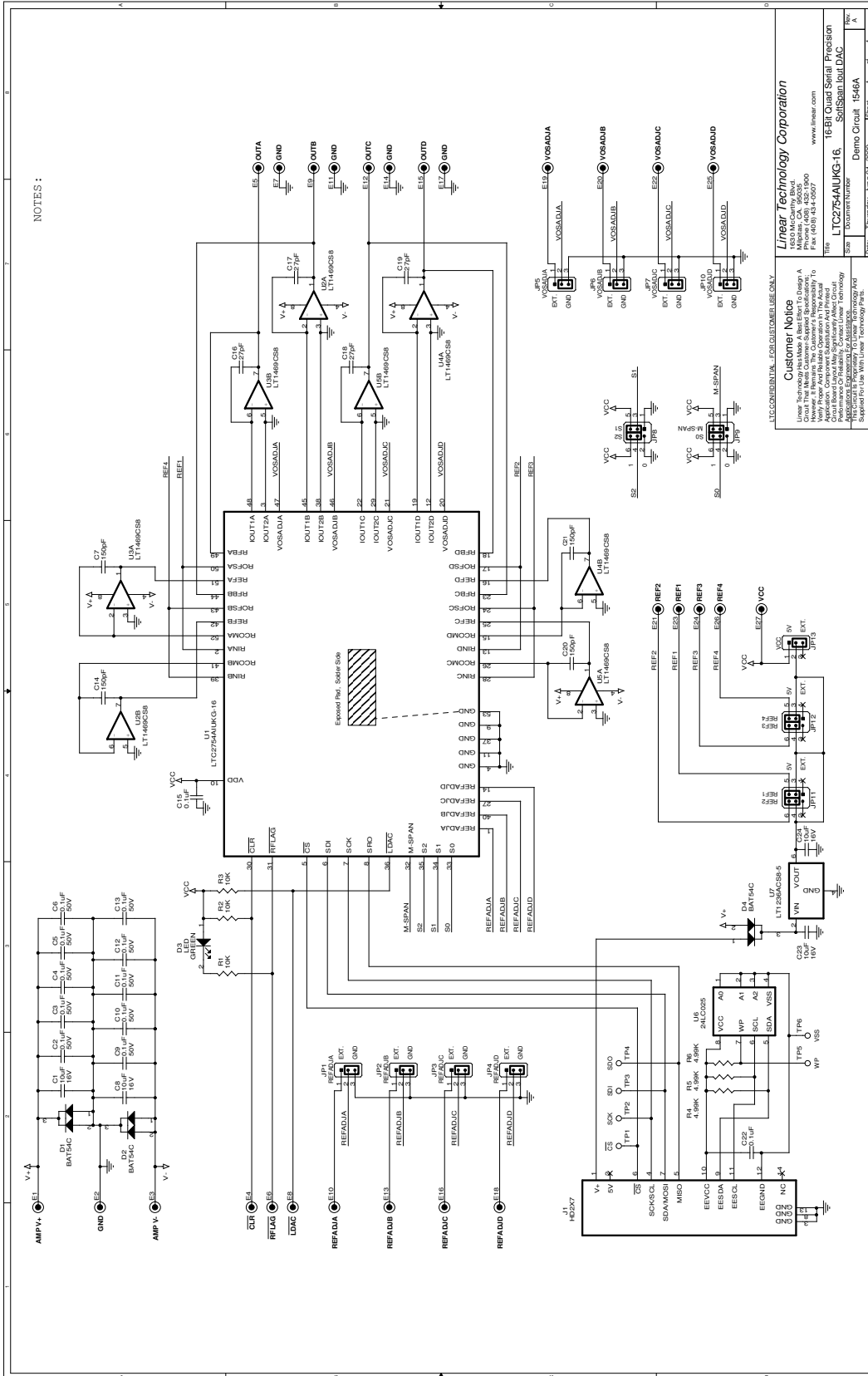
VCC: Connection to V_{CC} . See the schematic and description for the VCC jumper.

DEMO MANUAL DC1546A

PARTS LIST

ITEM	QTY	REFERENCE	PART DESCRIPTION	MANUFACTURER/PART NUMBER
DC1546A Required Circuit Components				
1	4	C7, C14, C20, C21	CAP., X7R, 150pF, 50V, 10%, 0603	AVX, 06035C151KAT2A
2	4	C16, C17, C18, C19	CAP., COG, 27pF, 50V, 10%, 0603	AVX, 06035A270KAT2A
3	2	C15, C22	CAP., X7R, 0.1µF, 25V, 20%, 0603	TDK, C1608X7R1E104M
4	10	C1-C6, C8, C9-C13	CAP., X5R, 0.1µF, 50V, 20%, 0805	TDK, C2012X7R1H104M
5	4	C1, C8, C23, C24	CAP., X5R, 10µF, 16V, 20%, 1206	TDK, C3216X5R1C106M
6	0	C7, C14, C16-C21	OPT.	
7	3	D1, D2, D4	DIODE, SCHOTTKY, SOT23	DIODES INC., BAT54C-7-F
8	1	D3	LED, SMT GREEN	PANASONIC, LN1351C-(TR)
9	27	E1-E27	TESTPOINT, TURRET, 0.064"	MILL-MAX, 2308-2
10	0	TP1-TP6	OPT.	
11	9	JP1-JP7, JP10, JP13	JMP, 3-PIN, 1 ROW, 0.079"	SAMTEC, TMM-103-02-L-S
12	4	JP8, JP9, JP11, JP12	JMP, 2x3, 0.079"	SAMTEC, TMM-103-02-L-D
13	17	JP1-JP7, JP10, JP13, (JP8, JP9, JP11, JP12 = 2 EA.)	SHUNT, 0.079" CENTER	SAMTEC, 2SN-BK-G
14	1	J1	HEADER, 2x7PIN, 0.079"	MOLEX, 87831-1420 (PBF)
15	3	R4-R6	RES., CHIP, 4.99k, 1/16W, 1%, 0603	VISHAY, CRCW06034K99FKED
16	3	R1-R3	RES., CHIP, 10k, 1/16W, 5%, 0603	VISHAY, CRCW060310K0FKED
17	1	U1	I.C., LTC2754AIUKG-16, QFN52UKG	LINEAR TECHNOLOGY, LTC2754AIUKG-16
18	4	U2-U5	I.C., LT1469CS8, SO8	LINEAR TECHNOLOGY, LT1469CS8
19	1	U7	I.C., LT1236ACS8-5, SO8	LINEAR TECHNOLOGY, LT1236ACS8-5
20	1	U6	I.C., SERIAL EEPROM, TSSOP8	MICROCHIP, 24LC025-I /ST
21	4	FOR 4 CORNERS	STAND-OFF, NYLON (SNAP-ON), 0.625" TALL	KEYSTONE, 8834

SCHEMATIC DIAGRAM



Customer Notice
 Linear Technology Corporation
 1630 McCarthy Blvd.
 Milpitas, CA 95035
 Phone (408) 432-1900
 Fax (408) 432-1999
 www.linear.com

Linear Technology Corporation
 16-Bit, 100kSPS, Precision
 DAC
 LTC2754-16
 Document Number: 1546
 Demo Circuit: 1546A

© 2002 Linear Technology Corporation
 All Rights Reserved
 This document is the property of Linear Technology Corporation. It is intended for use only by the individual or entity to whom it is issued. It is not to be distributed, copied, or reproduced in any form without the prior written permission of Linear Technology Corporation.

Figure 3. LTC2754-16 Schematic Diagram

DEMO MANUAL DC1546A

DEMONSTRATION BOARD IMPORTANT NOTICE

Linear Technology Corporation (LTC) provides the enclosed product(s) under the following **AS IS** conditions:

This demonstration board (DEMO BOARD) kit being sold or provided by Linear Technology is intended for use for **ENGINEERING DEVELOPMENT OR EVALUATION PURPOSES ONLY** and is not provided by LTC for commercial use. As such, the DEMO BOARD herein may not be complete in terms of required design-, marketing-, and/or manufacturing-related protective considerations, including but not limited to product safety measures typically found in finished commercial goods. As a prototype, this product does not fall within the scope of the European Union directive on electromagnetic compatibility and therefore may or may not meet the technical requirements of the directive, or other regulations.

If this evaluation kit does not meet the specifications recited in the DEMO BOARD manual the kit may be returned within 30 days from the date of delivery for a full refund. **THE FOREGOING WARRANTY IS THE EXCLUSIVE WARRANTY MADE BY THE SELLER TO BUYER AND IS IN LIEU OF ALL OTHER WARRANTIES, EXPRESSED, IMPLIED, OR STATUTORY, INCLUDING ANY WARRANTY OF MERCHANTABILITY OR FITNESS FOR ANY PARTICULAR PURPOSE. EXCEPT TO THE EXTENT OF THIS INDEMNITY, NEITHER PARTY SHALL BE LIABLE TO THE OTHER FOR ANY INDIRECT, SPECIAL, INCIDENTAL, OR CONSEQUENTIAL DAMAGES.**

The user assumes all responsibility and liability for proper and safe handling of the goods. Further, the user releases LTC from all claims arising from the handling or use of the goods. Due to the open construction of the product, it is the user's responsibility to take any and all appropriate precautions with regard to electrostatic discharge. Also be aware that the products herein may not be regulatory compliant or agency certified (FCC, UL, CE, etc.).

No License is granted under any patent right or other intellectual property whatsoever. **LTC assumes no liability for applications assistance, customer product design, software performance, or infringement of patents or any other intellectual property rights of any kind.**

LTC currently services a variety of customers for products around the world, and therefore this transaction **is not exclusive**.

Please read the DEMO BOARD manual prior to handling the product. Persons handling this product must have electronics training and observe good laboratory practice standards. **Common sense is encouraged.**

This notice contains important safety information about temperatures and voltages. For further safety concerns, please contact a LTC application engineer.

Mailing Address:

Linear Technology
1630 McCarthy Blvd.
Milpitas, CA 95035

Copyright © 2004, Linear Technology Corporation

Компания «Океан Электроники» предлагает заключение долгосрочных отношений при поставках импортных электронных компонентов на взаимовыгодных условиях!

Наши преимущества:

- Поставка оригинальных импортных электронных компонентов напрямую с производств Америки, Европы и Азии, а так же с крупнейших складов мира;
- Широкая линейка поставок активных и пассивных импортных электронных компонентов (более 30 млн. наименований);
- Поставка сложных, дефицитных, либо снятых с производства позиций;
- Оперативные сроки поставки под заказ (от 5 рабочих дней);
- Экспресс доставка в любую точку России;
- Помощь Конструкторского Отдела и консультации квалифицированных инженеров;
- Техническая поддержка проекта, помощь в подборе аналогов, поставка прототипов;
- Поставка электронных компонентов под контролем ВП;
- Система менеджмента качества сертифицирована по Международному стандарту ISO 9001;
- При необходимости вся продукция военного и аэрокосмического назначения проходит испытания и сертификацию в лаборатории (по согласованию с заказчиком);
- Поставка специализированных компонентов военного и аэрокосмического уровня качества (Xilinx, Altera, Analog Devices, Intersil, Interpoint, Microsemi, Actel, Aeroflex, Peregrine, VPT, Syfer, Eurofarad, Texas Instruments, MS Kennedy, Miteq, Cobham, E2V, MA-COM, Hittite, Mini-Circuits, General Dynamics и др.);

Компания «Океан Электроники» является официальным дистрибьютором и эксклюзивным представителем в России одного из крупнейших производителей разъемов военного и аэрокосмического назначения «JONHON», а так же официальным дистрибьютором и эксклюзивным представителем в России производителя высокотехнологичных и надежных решений для передачи СВЧ сигналов «FORSTAR».



JONHON

«JONHON» (основан в 1970 г.)

Разъемы специального, военного и аэрокосмического назначения:

(Применяются в военной, авиационной, аэрокосмической, морской, железнодорожной, горно- и нефтедобывающей отраслях промышленности)

«FORSTAR» (основан в 1998 г.)

ВЧ соединители, коаксиальные кабели, кабельные сборки и микроволновые компоненты:

(Применяются в телекоммуникациях гражданского и специального назначения, в средствах связи, РЛС, а так же военной, авиационной и аэрокосмической отраслях промышленности).



Телефон: 8 (812) 309-75-97 (многоканальный)

Факс: 8 (812) 320-03-32

Электронная почта: ocean@oceanchips.ru

Web: <http://oceanchips.ru/>

Адрес: 198099, г. Санкт-Петербург, ул. Калинина, д. 2, корп. 4, лит. А