

POWER RELAY

1 POLE - 16A 80A Inrush type

FTR-K1 Series

RoHS compliant

FEATURES

- Peak 80A inrush current (1 form A type)
- Low profile (height: 15.7mm)
- HIGH ISOLATION
Insulation Distance (between coil and contacts): 10mm min.
Dielectric strength: 5KV
Surge strength: 10KV
- Class F coil wire
- Low coil power (400mW)
- Cadmium free contacts
- SAFETY STANDARDS
UL, CSA, VDE, SEMKO approved
UL, CSA TV-5 rating approved (1 form A type)
- RoHS Compliant
- VDE Glow-wire ignitability test 775 (IEC60335-1) approved



ORDERING INFORMATION

[Example] FTR-K1 C K 005 W -BG
(a) (b) (c) (d) (e) (f)

(a)	Series Name	FTR-K1 : FTR-K1 Series
(b)	Contact Arrangement	A : 1 form A (SPST-NO) C : 1 form C (SPDT) (standard type "K" only)
(c)	Coil Type / Enclosure	K : Standard (400 mW) / Flux free (16 A, 12A contacts only)
(d)	Nominal Voltage	005 : 5 VDC, 006 : 6VDC, 009 : 9VDC 012 : 12VDC 018 : 18 VDC (standard type only) 022 : 22VDC (standard type only), 024 : 24VDC, 028 : 28VDC 048 : 48VDC
(e)	Contact Material / TV type	W : AgSnO2 (1 form C) T : AgSnO2 / TV-5 rated (1form A TV-5)
(f)	Special Designation	BG : Gold plated 3µm

Actual marking does not carry the type name : "FTR"
E.g.: Ordering code: FTR-K1CK012W Actual marking: K1CK012W

FTR-K1 SERIES

■ PART NUMBERS

400mW type

Ordering Part Number	Series	Contact	Coil Power	Coil Voltage	Contact Material
FTR-K1AK005T	FTR-K1	A: 1 form A	K: 400 mW	5	T: AgSnO ₂
FTR-K1AK006T				6	
FTR-K1AK009T				9	
FTR-K1AK012T				12	
FTR-K1AK018T				18	
FTR-K1AK022T				22	
FTR-K1AK024T				24	
FTR-K1AK028T				28	
FTR-K1AK048T				K: 430 mW	
FTR-K1CK005W			FTR-K1	C: 1 form C	
FTR-K1CK006W	6				
FTR-K1CK009W	9				
FTR-K1CK012W	12				
FTR-K1CK018W	18				
FTR-K1CK022W	22				
FTR-K1CK024W	24				
FTR-K1CK028W	28				
FTR-K1CK048W	K: 430 mW	48			

■ COIL DATA CHART

Coil Voltage	Nominal Voltage (VDC)	Max. Coil Voltage* ¹	Coil Resistance (±10%)	Must Operate Voltage* ²	Must Release Voltage* ²	Nominal Power (mW)
005	5	12.2 VDC	62 Ω	3.5 VDC	0.5 VDC	400
006	6	14.7 VDC	90 Ω	4.2 VDC	0.6 VDC	
009	9	22.0 VDC	202 Ω	6.3 VDC	0.9 VDC	
012	12	29.4 VDC	360 Ω	8.4 VDC	1.2 VDC	
018	18	44.1 VDC	810 Ω	12.6 VDC	1.8 VDC	
022	22	53.9 VDC	1,210 Ω	15.4 VDC	2.2 VDC	
024	24	58.8 VDC	1,440 Ω	16.8 VDC	2.4 VDC	
028	28	68.6 VDC	1,960 Ω	19.6 VDC	2.8 VDC	430
048	48	117.6 VDC	5,360 Ω	33.6 VDC	4.8 VDC	

Note: All values in the table are measured at 20°C.

*1: No contact current at 20°C

*2: Specified values are subject to pulse wave voltage

FTR-K1 SERIES

■ SPECIFICATIONS

Item		FTR-K1 AK () T Standard	FTR-K1 CK () W Standard	
Contact	Arrangement	1 form A	1 from C	
	Material	AgSnO ₂		
	Resistance (initial)	Maximum 100 mΩ at 1 A, 6 VDC		
	Rating	16 A, 250 VAC / 24 VDC		
	Maximum Carrying Current*1	16 A		
	Maximum Inrush Current	80A (20ms) 250VAC		
	Maximum Switching Rating	4,000 VA / 384W		
	Maximum Switching Voltage	440 VAC / 300VDC		
	Minimum Switching Load*2	10 mA 5 VDC		
Coil	Nominal Power (at 20°C)	400mW (at 430mW 48V coil)		
	Operate Power (at 20°C)	200 mW (210mW at 48V coil)		
	Operating Temperature	-40°C to +85°C (no frost)		
Time Value	Operate	Maximum 15ms (at nominal voltage, no bounce)		
	Release (without diode)	Maximum 5ms (at nominal voltage, no bounce)		
Life	Mechanical	20 x 10 ⁶ operations minimum		
	Electrical	AC Contact rating	100 x 10 ³ operations min.	50 x 10 ³ operations min.
		DC contact rating	100 x 10 ³ operations min.	30 x 10 ³ operations min.
		Peak Inrush (80A)	10 x 10 ³ operations min.	
	Lamp load (UL TV-5)	25 x 10 ³ operations min.	-	
Other	Vibration Resistance	Misoperation	10 to 55 Hz, at double amplitude of 0.7 mm	
		Endurance	10-55Hz, at double amplitude of 1.5 mm	
	Shock Resistance	Misoperation	Min. 100m/s ² (11±1ms)	
		Endurance	Min. 1,000m/s ² (6±1ms)	
	Weight	Approximately 13g		

*1 Need to consider the heat from PCB when max. current is more than 10A.

*2 Minimum switching loads mentioned above are reference values. Please perform the confirmation test with the actual load before production since reference values may vary according to switching frequencies, environmental conditions and expected reliability levels.

FTR-K1 SERIES

■ INSULATION

Item	FTR-K1	Note
Resistance (initial)	Minimum 1,000 M Ω 1 min.	at 500 VDC
Dielectric Strength	open contacts	1,000 VAC (50/60 Hz) 1 min.
	coil and contacts	5,000 VAC (50/60 Hz) 1 min.
Surge Voltage (coil and contact)	10,000 V	1.2 x 50 μ s standard wave
Clearance/Creepage	10 mm / 10 mm	
Insulation (DIN EN61810-1 VDE0435)		
Voltage	250 V	
Pollution	3	
Isolation material group	IIIa	
Isolation category / Reference voltage (VDE0110b)	C / 250 V	

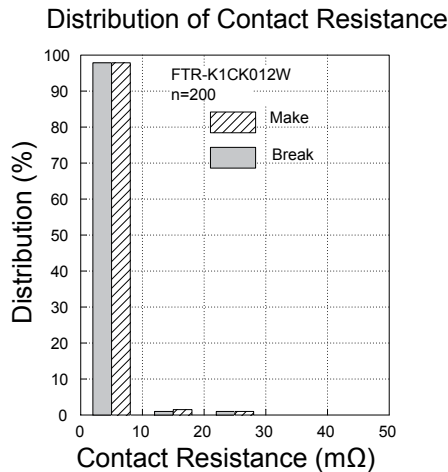
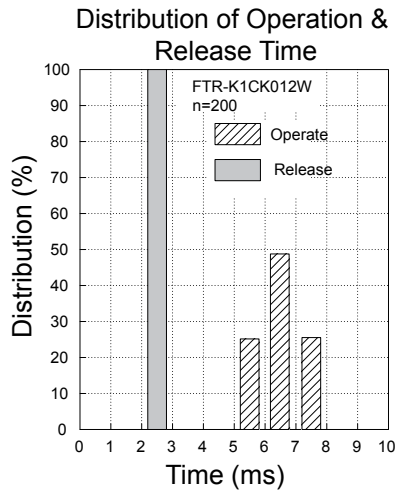
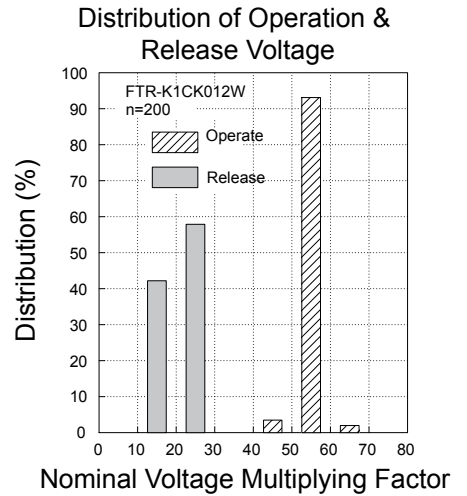
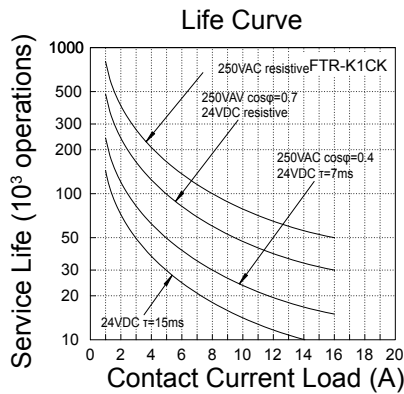
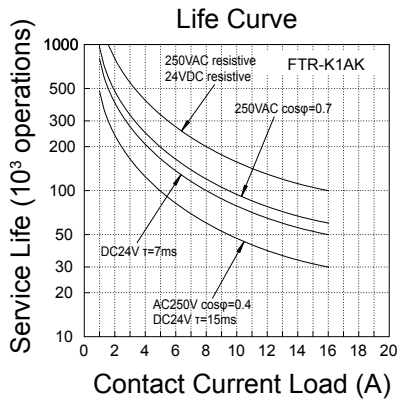
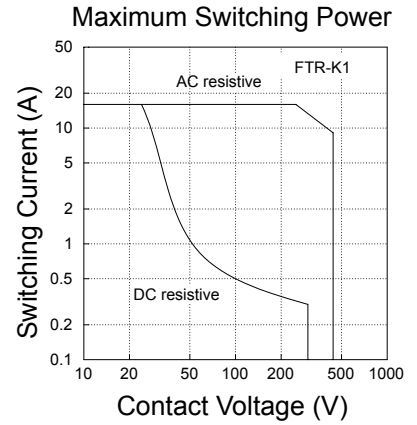
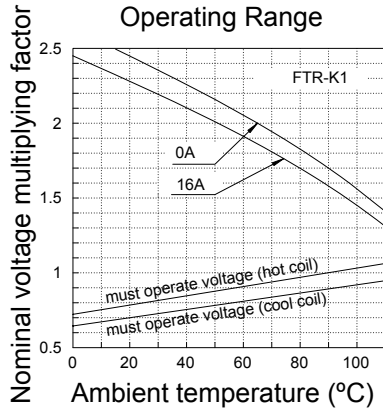
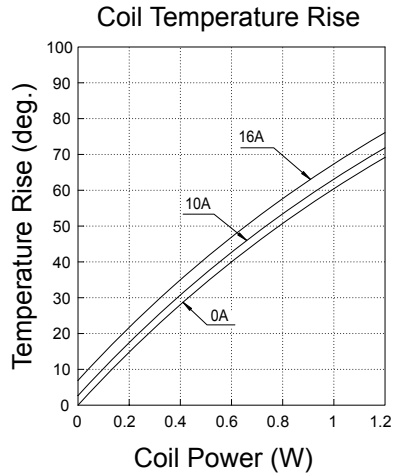
■ SAFETY STANDARDS

Type	Compliance	Contact rating	
		FTR-K1CK () W	FTR-K1AK () T
UL	UL 508	Flammability: UL 94-V0 (plastics)	
	E63614	16A, 277 VAC (resistive) 20A, 277 VAC (resistive)	16A, 24 VAC (resistive) 16A, 277 VAC (resistive)
CSA	C22.2 No. 14 LR 40304	1 HP, 277VAC 1/2 HP, 125VAC 1/8 HP, 125VAC Pilot duty: B300	20A, 277 VAC (resistive) 1 HP, 277VAC 1/2 HP, 125VAC TV-5, 120VAC 25,000 cycles Pilot duty: A300
VDE	0435, 0631, 0700, 0860, 40013848	16A, 250 VAC (cos ϕ =1), 85 $^{\circ}$ C 3.5A, 250 VAC (cos ϕ =0.4), 85 $^{\circ}$ C 16 A 24VDC (0ms), 85 $^{\circ}$ C 5A, 250 VAC 10,000 times, 85 $^{\circ}$ C	
SEMKO	EN 61058-1:1992 and A1 EN 61095:1993 and A1+A11	250VAC, 16 (3)A 40T85 5A/80A 250VAC 40T85	

Complies with NEMKO, DEMKO, FIMKO

FTR-K1 SERIES

CHARACTERISTIC DATA

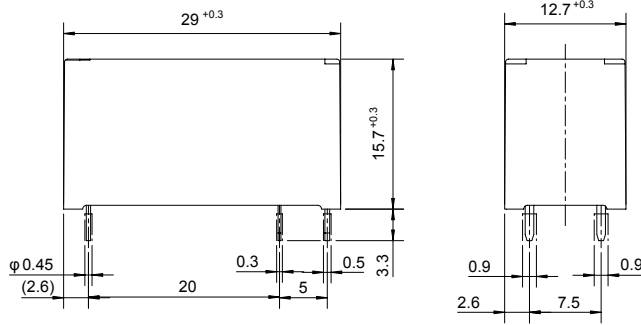


FTR-K1 SERIES

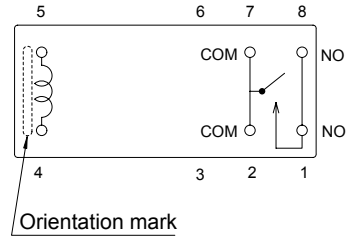
■ DIMENSIONS

● Dimensions

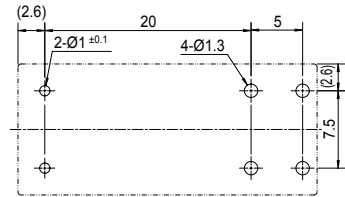
FTR-K1AK () T



● Schematics (BOTTOM VIEW)

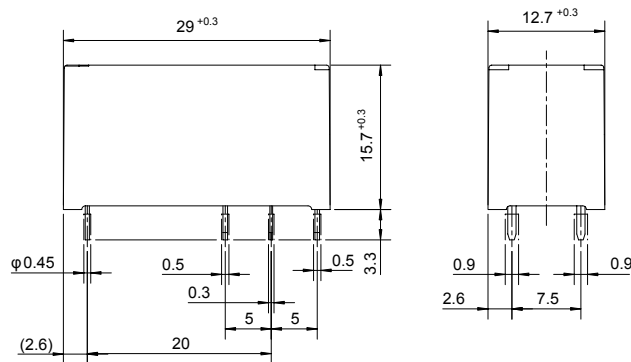


● PC board mounting hole layout (BOTTOM VIEW)

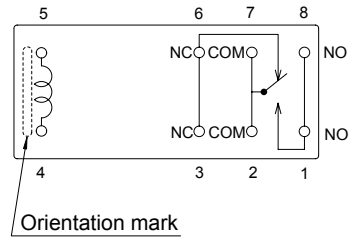


● Dimensions

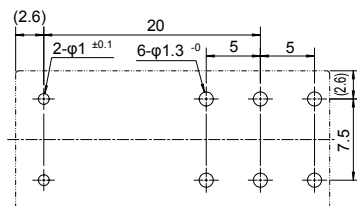
FTR-K1CK () W



● Schematics (BOTTOM VIEW)



● PC board mounting hole layout (BOTTOM VIEW)



Unit: mm

RoHS Compliance and Lead Free Relay Information

1. General Information

- Relays produced after the specific date code that is indicated on each data sheet are lead-free now. All of our signal and power relays are lead-free. Please refer to Lead-Free Status Info. (<http://www.fujitsu.com/us/downloads/MICRO/fcai/relays/lead-free-letter.pdf>)
- Lead free solder paste currently used in relays is Sn-3.0Ag-0.5Cu.
- All signal and power relays also comply with RoHS. Please refer to individual data sheets. Relays that are RoHS compliant do not contain the 5 hazardous materials that are restricted by RoHS directive (lead, mercury, chromium IV, PBB, PBDE and DecaBDE).
- It has been verified that using lead-free relays in leaded assembly process will not cause any problems (compatible).
- "LF" is marked on each outer and inner carton. (No marking on individual relays).

Note: Cadmium was exempted from RoHS on October 21, 2005. (Amendment to Directive 2002/95/EC)

2. Recommended Lead Free Solder Profile

- Recommended solder paste Sn-3.0Ag-0.5Cu.

Solder condition

Flow Solder condition:

Pre-heating: maximum 120°C
Soldering: dip within 5 sec. at
260°C solder bath

Solder by Soldering Iron:

Soldering Iron
Temperature: maximum 360°C
Duration: maximum 3 sec.

We highly recommend that you confirm your actual solder conditions

3. Moisture Sensitivity

- Moisture Sensitivity Level standard is not applicable to electromechanical relays.

4. Tin Whisker

- Dipped SnAgCu solder is known as low risk tin whisker. No considerable length whisker was found by our in house test.

Fujitsu Components International Headquarter Offices

Japan

Fujitsu Component Limited
Gotanda-Chuo Building
3-5, Higashigotanda 2-chome, Shinagawa-ku
Tokyo 141, Japan
Tel: (81-3) 5449-7010
Fax: (81-3) 5449-2626
Email: promothq@ft.ed.fujitsu.com
Web: www.fcl.fujitsu.com

North and South America

Fujitsu Components America, Inc.
250 E. Caribbean Drive
Sunnyvale, CA 94089 U.S.A.
Tel: (1-408) 745-4900
Fax: (1-408) 745-4970
Email: components@us.fujitsu.com
Web: <http://www.fujitsu.com/us/services/edevices/components/>

Europe

Fujitsu Components Europe B.V.
Diamantlaan 25
2132 WV Hoofddorp
Netherlands
Tel: (31-23) 5560910
Fax: (31-23) 5560950
Email: info@fceu.fujitsu.com
Web: emea.fujitsu.com/components/

Asia Pacific

Fujitsu Components Asia Ltd.
102E Pasir Panjang Road
#01-01 Citilink Warehouse Complex
Singapore 118529
Tel: (65) 6375-8560
Fax: (65) 6273-3021
Email: fcal@fcal.fujitsu.com
Web: <http://www.fujitsu.com/sg/services/micro/components/>

©2008 Fujitsu Components America, Inc. All rights reserved. All trademarks or registered trademarks are the property of their respective owners.

Fujitsu Components America or its affiliates do not warrant that the content of datasheet is error free. In a continuing effort to improve our products Fujitsu Components America, Inc. or its affiliates reserve the right to change specifications/datasheets without prior notice.
Rev. July 23, 2008.

Компания «Океан Электроники» предлагает заключение долгосрочных отношений при поставках импортных электронных компонентов на взаимовыгодных условиях!

Наши преимущества:

- Поставка оригинальных импортных электронных компонентов напрямую с производств Америки, Европы и Азии, а так же с крупнейших складов мира;
- Широкая линейка поставок активных и пассивных импортных электронных компонентов (более 30 млн. наименований);
- Поставка сложных, дефицитных, либо снятых с производства позиций;
- Оперативные сроки поставки под заказ (от 5 рабочих дней);
- Экспресс доставка в любую точку России;
- Помощь Конструкторского Отдела и консультации квалифицированных инженеров;
- Техническая поддержка проекта, помощь в подборе аналогов, поставка прототипов;
- Поставка электронных компонентов под контролем ВП;
- Система менеджмента качества сертифицирована по Международному стандарту ISO 9001;
- При необходимости вся продукция военного и аэрокосмического назначения проходит испытания и сертификацию в лаборатории (по согласованию с заказчиком);
- Поставка специализированных компонентов военного и аэрокосмического уровня качества (Xilinx, Altera, Analog Devices, Intersil, Interpoint, Microsemi, Actel, Aeroflex, Peregrine, VPT, Syfer, Eurofarad, Texas Instruments, MS Kennedy, Miteq, Cobham, E2V, MA-COM, Hittite, Mini-Circuits, General Dynamics и др.);

Компания «Океан Электроники» является официальным дистрибьютором и эксклюзивным представителем в России одного из крупнейших производителей разъемов военного и аэрокосмического назначения «JONHON», а так же официальным дистрибьютором и эксклюзивным представителем в России производителя высокотехнологичных и надежных решений для передачи СВЧ сигналов «FORSTAR».



JONHON

«JONHON» (основан в 1970 г.)

Разъемы специального, военного и аэрокосмического назначения:

(Применяются в военной, авиационной, аэрокосмической, морской, железнодорожной, горно- и нефтедобывающей отраслях промышленности)

«FORSTAR» (основан в 1998 г.)

ВЧ соединители, коаксиальные кабели, кабельные сборки и микроволновые компоненты:

(Применяются в телекоммуникациях гражданского и специального назначения, в средствах связи, РЛС, а так же военной, авиационной и аэрокосмической отраслях промышленности).



Телефон: 8 (812) 309-75-97 (многоканальный)

Факс: 8 (812) 320-03-32

Электронная почта: ocean@oceanchips.ru

Web: <http://oceanchips.ru/>

Адрес: 198099, г. Санкт-Петербург, ул. Калинина, д. 2, корп. 4, лит. А