

Surface Mount Multilayer Ceramic Chip Capacitors for Commodity Applications



FEATURES

- Available from 0402 to 1210 body sizes
- Ultra stable C0G (NP0) dielectric
- High capacitance in X5R, X7R, Y5V
- For high frequency applications
- Ni-barrier with 100 % tin terminations
- Dry sheet technology process
- Noble Metal Electrode system (NME): for certain C0G (NP0) values
- Base Metal Electrode system (BME): for X5R, X7R, Y5V and certain C0G (NP0) values
- Material categorization: for definitions of compliance please see www.vishay.com/doc?99912



RoHS
COMPLIANT
HALOGEN
FREE
GREEN
(5-2008)

APPLICATIONS

- Consumer electronics
- Telecommunications
- Data processing
- Mobile applications

ELECTRICAL SPECIFICATIONS

Operating Temperature:

C0G (NP0): -55 °C to +125 °C
X5R: -55 °C to +85 °C
X7R: -55 °C to +125 °C
Y5V: -25 °C to +85 °C

Capacitance Range:

C0G (NP0): 0.5 pF to 39 nF
X5R: 47 nF to 100 μF
X7R: 100 pF to 47 μF
Y5V: 10 nF to 100 μF

Voltage Range:

C0G (NP0): 10 V_{DC} to 100 V_{DC}
X5R: 6.3 V_{DC} to 50 V_{DC}
X7R: 10 V_{DC} to 100 V_{DC}
Y5V: 6.3 V_{DC} to 100 V_{DC}

Temperature Coefficient of Capacitance (TCC):

C0G (NP0): 0 ppm/°C ± 30 ppm/°C from -55 °C to +125 °C
X5R: ± 15 % from -55 °C to +85 °C without voltage applied
X7R: ± 15 % from -55 °C to +125 °C without voltage applied
Y5V: + 30 % / - 80 % from -25 °C to +85 °C without voltage applied

Insulation Resistance (IR) at U_R:

≥ 10 GΩ or R x C ≥ 500 Ω x F whichever is less

Test Conditions for Capacitance Tolerance:

preconditioning for X5R, X7R, Y5V MLCC: perform a heat treatment at +150 °C ± 10 °C for 1 h, then leave in ambient condition for 24 h ± 2 h before measurement

Test Conditions for Capacitance and DF Measurement:

measured at conditions of 30 % to 70 % related humidity.
C0G (NP0): Apply 1.0 V_{RMS} ± 0.2 V_{RMS}, 1.0 MHz ± 10 % for caps ≤ 1000 pF, at +25 °C ambient temperature
Apply 1.0 V_{RMS} ± 0.2 V_{RMS}, 1.0 kHz ± 10 % for caps > 1000 pF, at +25 °C ambient temperature
X5R / X7R: Caps ≤ 10 μF apply 1.0 V_{RMS} ± 0.2 V_{RMS}, 1.0 kHz ± 10 %, at +25 °C ambient temperature ⁽¹⁾
Caps > 10 μF apply 0.5 V_{RMS} ± 0.2 V_{RMS}, 120 Hz ± 20 %, at +25 °C ambient temperature
Y5V: Caps ≤ 10 μF apply 1.0 V_{RMS} ± 0.2 V_{RMS}, 1.0 kHz ± 10 %, at +20 °C ambient temperature
Caps > 10 μF apply 0.5 V_{RMS} ± 0.2 V_{RMS}, 120 Hz ± 20 %, at +20 °C ambient temperature

Note

- ⁽¹⁾ Test conditions: 0.5 V_{RMS} ± 0.2 V_{RMS}, 1 kHz ± 10 %
X7R: 0603: ≥ 2.2 μF / 10 V
0805: 10 μF (6.3 V and 10 V)
X5R: 0402: ≥ 4.7 μF / 6.3 V and ≥ 2.2 μF / 10 V
0603: 10 μF / 6.3 V

Aging Rate:

C0G (NP0): 0 % per decade
X5R: 6.3 V_{DC} / 10 V_{DC}: 3 % maximum per decade
16 V_{DC} / 25 V_{DC}: 2 % maximum per decade
X7R: ≤ 10 V_{DC}: 1.5 % maximum per decade
≥ 16 V_{DC}: 1 % maximum per decade
Y5V: 6.3 V_{DC}: 12.5 % maximum per decade
10 V_{DC} / 16 V_{DC}: 9 % maximum per decade
≥ 25 V_{DC}: 7 % maximum per decade

Dielectric Strength Test:

this is the maximum voltage the capacitors are tested 1 s to 5 s period and the charge / discharge current does not exceed 50 mA.
≤ 100 V_{DC}: 250 % of rated voltage



Dissipation Factor (DF):

C0G (NP0): Cap. < 30 pF: Q ≥ 400 + 20C
 Cap. ≥ 30 pF: Q ≥ 1000

X5R, X7R:

RATED VOLTAGE	D.F. ≤	EXCEPTION OF D.F. ≤	
≥ 50 V	2.5 %	3 %	0603 ≥ 0.047 μF; 0805 ≥ 0.18 μF; 1206 ≥ 0.47 μF
		5 %	1210 ≥ 4.7 μF
		10 %	0603 ≥ 1 μF; 0805 ≥ 1 μF; 1206 ≥ 2.2 μF; 1210 ≥ 10 μF
25 V	3.5 %	5 %	0805 ≥ 1 μF; 1210 ≥ 10 μF
		7 %	0603 ≥ 0.33 μF; 1206 ≥ 4.7 μF
		10 %	0402 ≥ 0.10 μF; 0603 ≥ 0.47 μF; 0805 ≥ 2.2 μF; 1206 ≥ 6.8 μF; 1210 ≥ 22 μF
16 V	3.5 %	5 %	0402 ≥ 0.033 μF; 0603 ≥ 0.15 μF; 0805 ≥ 0.68 μF; 1206 ≥ 2.2 μF; 1210 ≥ 4.7 μF
		10 %	0402 ≥ 0.22 μF; 0603 ≥ 0.68 μF; 0805 ≥ 2.2 μF; 1206 ≥ 4.7 μF; 1210 ≥ 22 μF
10 V	5 %	10 %	0402 ≥ 0.33 μF; 0603 ≥ 0.33 μF; 0805 ≥ 2.2 μF; 1206 ≥ 2.2 μF; 1210 ≥ 22 μF
		15 %	0402 ≥ 1 μF
6.3 V	10 %	15 %	0402 ≥ 1 μF; 0603 ≥ 10 μF; 0805 ≥ 4.7 μF; 1206 ≥ 47 μF; 1210 ≥ 100 μF
		20 %	0402 ≥ 2.2 μF

Y5V:

RATED VOLTAGE	D.F. ≤	EXCEPTION OF D.F. ≤	
≥ 50 V	5 %	7 %	0603 ≥ 0.1 μF; 0805 ≥ 0.47 μF; 1206 ≥ 4.7 μF
35 V	7 %	-	-
25 V	5 %	7 %	0402 ≥ 0.047 μF; 0603 ≥ 0.1 μF; 0805 ≥ 0.33 μF; 1206 ≥ 1 μF; 1210 ≥ 4.7 μF
		9 %	0402 ≥ 0.068 μF; 0603 ≥ 0.47 μF; 1206 ≥ 4.7 μF; 1210 ≥ 22 μF
16 V C < 1.0 μF	7 %	9 %	0402 ≥ 0.068 μF; 0603 ≥ 0.68 μF
		12.5 %	0402 ≥ 0.22 μF
16 V C ≥ 1.0 μF	9 %	12.5 %	0603 ≥ 2.2 μF; 0805 ≥ 3.3 μF; 1206 ≥ 10 μF; 1210 ≥ 22 μF
		20 %	0402 ≥ 0.47 μF
6.3 V	20 %	-	-

QUICK REFERENCE DATA				
DIELECTRIC	CASE	MAXIMUM VOLTAGE (V)	CAPACITANCE	
			MINIMUM	MAXIMUM
C0G (NP0)	0402	100	0.5 pF	1.0 nF
	0603	100	0.5 pF	3.3 nF
	0805	100	0.5 pF	12 nF
	1206	100	1.5 pF	39 nF
X5R	0402	25	47 nF	10 μF
	0603	25	220 nF	22 μF
	0805	25	1.5 μF	47 μF
	1206	25	1.5 μF	100 μF
	1210	16	1.5 μF	100 μF
X7R	0402	50	100 pF	220 nF
	0603	100	100 pF	2.2 μF
	0805	100	100 pF	10 μF
	1206	100	150 pF	22 μF
	1210	100	1.0 nF	47 μF
Y5V	0402	50	10 nF	1.0 μF
	0603	50	10 nF	4.7 μF
	0805	100	10 nF	10 μF
	1206	100	10 nF	22 μF
	1210	100	10 nF	100 μF

Note

- Detail ratings see "Selection Chart"



ORDERING INFORMATION							
VJ0402	Y	101	J	X	Q	C	W1BC
SIZE CODE	DIELECTRIC	CAPACITANCE	TOLERANCE	TERMINATION	VOLTAGE ⁽¹⁾	PACKAGING	PROCESS CODE FOR BASIC COMMODITY
0402 0603 0805 1206 1210	A = C0G (NP0) G = X5R Y = X7R V = Y5V	Two significant digits followed by the number of zeros: 1R0 = 1.0 pF 101 = 100 pF 102 = 1000 pF 152 = 1500 pF 103 = 10 000 pF 104 = 100 000 pF	C0G (NP0) Cap. < 10 pF: B = ± 0.10 pF C = ± 0.25 pF D = ± 0.50 pF Cap. ≥ 10 pF: F = ± 1 % G = ± 2 % J = ± 5 % K = ± 10 % X5R / X7R J = ± 5 % ⁽²⁾⁽³⁾ K = ± 10 % M = ± 20 % Y5V M = ± 20 % Z = - 20 % / + 80 %	X = Ni barrier 100 % matte tin	S = 4 V Y = 6.3 V Q = 10 V J = 16 V X = 25 V Z = 35 V A = 50 V B = 100 V	C = 7" reel / paper tape P = 13" reel / paper tape T = 7" reel / plastic tape R = 13" reel / plastic tape	

Notes

- Detail rating see "Selection Chart"
- ⁽¹⁾ DC voltage rating should not be exceeded in application. Other application factors may affect the MLCC performance. Consult for questions: mlcc@vishay.com
- ⁽²⁾ Not all values, see selection chart X7R size 0603, 0805 and 1206
- ⁽³⁾ No 5 % tolerance for X5R

DIMENSIONS in inches (millimeters)						
SIZE CODE	THICKNESS SYMBOL	SOLDERING METHOD (1)	L	W	T	MB
0402 (1005)	N	R	0.040 ± 0.002 (1.00 ± 0.05)	0.020 ± 0.002 (0.50 ± 0.05)	0.020 ± 0.002 (0.50 ± 0.05)	0.010 + 0.002 / - 0.004 (0.25 + 0.05 / - 0.10)
	E	R	0.040 ± 0.008 (1.00 ± 0.20)	0.020 ± 0.008 (0.50 ± 0.20)	0.020 ± 0.008 (0.50 ± 0.20)	
0603 (1608)	S	R / W	0.063 ± 0.004 (1.60 ± 0.10)	0.030 ± 0.004 (0.80 ± 0.10)	0.030 ± 0.0028 (0.80 ± 0.07)	0.016 ± 0.006 (0.40 ± 0.15)
	X	R / W	0.063 + 0.006 / - 0.004 (1.60 + 0.15 / - 0.10)	0.030 + 0.006 / - 0.004 (0.80 + 0.15 / - 0.10)	0.030 + 0.006 / - 0.004 (0.80 + 0.15 / - 0.10)	
	X'	R / W	0.063 ± 0.008 (1.60 ± 0.20)	0.030 ± 0.008 (0.80 ± 0.20)	0.030 ± 0.008 (0.80 ± 0.20)	
0805 (2012)	A	R / W	0.080 ± 0.006 (2.00 ± 0.15)	0.050 ± 0.004 (1.25 ± 0.10)	0.024 ± 0.004 (0.60 ± 0.10)	0.020 ± 0.008 (0.50 ± 0.20)
	B	R / W			0.030 ± 0.004 (0.80 ± 0.10)	
	D	R	0.049 ± 0.004 (1.25 ± 0.10)			
	I	R	0.080 ± 0.008 (2.00 ± 0.20)	0.050 ± 0.008 (1.25 ± 0.20)	0.049 ± 0.008 (1.25 ± 0.20)	
1206 (3216)	B	R / W	0.126 ± 0.006 (3.20 ± 0.15)	0.063 ± 0.006 (1.60 ± 0.15)	0.030 ± 0.004 (0.80 ± 0.10)	0.024 ± 0.008 (0.60 ± 0.20)
	C	R			0.037 ± 0.004 (0.95 ± 0.10)	
	D	R			0.049 ± 0.004 (1.25 ± 0.10)	
	J	R	0.126 ± 0.008 (3.20 ± 0.20)	0.045 ± 0.006 (1.15 ± 0.15)		
	G	R	0.063 ± 0.008 (1.60 ± 0.20)	0.063 ± 0.008 (1.60 ± 0.20)		
	P	R	0.126 + 0.012 / - 0.004 (3.20 + 0.30 / - 0.10)	0.063 + 0.012 / - 0.004 (1.60 + 0.30 / - 0.10)	0.063 + 0.012 / - 0.004 (1.60 + 0.30 / - 0.10)	
1210 (3225)	C	R	0.126 ± 0.012 (3.20 ± 0.30)	0.098 ± 0.008 (2.50 ± 0.20)	0.037 ± 0.004 (0.95 ± 0.10)	0.060 ± 0.010 (0.75 ± 0.25)
	D	R			0.049 ± 0.004 (1.25 ± 0.10)	
	G	R	0.126 ± 0.016 (3.20 ± 0.40)	0.098 ± 0.012 (2.50 ± 0.30)	0.063 ± 0.008 (1.60 ± 0.20)	
	K	R			0.078 ± 0.008 (2.00 ± 0.20)	
	M	R			0.098 ± 0.012 (2.50 ± 0.30)	

Note

(1) "R" = Reflow soldering process; "W" = Wave soldering process



SELECTION CHART																					
DIELECTRIC		COG (NP0)																			
STYLE		VJ0402					VJ0603					VJ0805					VJ1206				
SIZE CODE		0402					0603					0805					1206				
VOLTAGE (V _{DC})		10	16	25	50	100	10	16	25	50	100	10	16	25	50	100	10	16	25	50	100
VOLTAGE CODE		Q	J	X	A	B	Q	J	X	A	B	Q	J	X	A	B	Q	J	X	A	B
CAP. CODE	CAP.																				
0R5	0.5 pF	N ⁽¹⁾	N ⁽¹⁾	N ⁽¹⁾	N ⁽¹⁾	N ⁽¹⁾	S	S	S	S	S	A	A	A	A	A					
1R0	1.0 pF	N ⁽¹⁾	N ⁽¹⁾	N ⁽¹⁾	N ⁽¹⁾	N ⁽¹⁾	S	S	S	S	S	A	A	A	A	A					
1R2	1.2 pF	N ⁽¹⁾	N ⁽¹⁾	N ⁽¹⁾	N ⁽¹⁾	N ⁽¹⁾	S	S	S	S	S	A	A	A	A	A					
1R5	1.5 pF	N ⁽¹⁾	N ⁽¹⁾	N ⁽¹⁾	N ⁽¹⁾	N ⁽¹⁾	S	S	S	S	S	A	A	A	A	A	B	B	B	B	B
1R8	1.8 pF	N ⁽¹⁾	N ⁽¹⁾	N ⁽¹⁾	N ⁽¹⁾	N ⁽¹⁾	S	S	S	S	S	A	A	A	A	A	B	B	B	B	B
2R2	2.2 pF	N ⁽¹⁾	N ⁽¹⁾	N ⁽¹⁾	N ⁽¹⁾	N ⁽¹⁾	S	S	S	S	S	A	A	A	A	A	B	B	B	B	B
2R7	2.7 pF	N ⁽¹⁾	N ⁽¹⁾	N ⁽¹⁾	N ⁽¹⁾	N ⁽¹⁾	S	S	S	S	S	A	A	A	A	A	B	B	B	B	B
3R3	3.3 pF	N ⁽¹⁾	N ⁽¹⁾	N ⁽¹⁾	N ⁽¹⁾	N ⁽¹⁾	S	S	S	S	S	A	A	A	A	A	B	B	B	B	B
3R9	3.9 pF	N ⁽¹⁾	N ⁽¹⁾	N ⁽¹⁾	N ⁽¹⁾	N ⁽¹⁾	S	S	S	S	S	A	A	A	A	A	B	B	B	B	B
4R7	4.7 pF	N ⁽¹⁾	N ⁽¹⁾	N ⁽¹⁾	N ⁽¹⁾	N ⁽¹⁾	S	S	S	S	S	A	A	A	A	A	B	B	B	B	B
5R6	5.6 pF	N ⁽¹⁾	N ⁽¹⁾	N ⁽¹⁾	N ⁽¹⁾	N ⁽¹⁾	S	S	S	S	S	A	A	A	A	A	B	B	B	B	B
6R8	6.8 pF	N ⁽¹⁾	N ⁽¹⁾	N ⁽¹⁾	N ⁽¹⁾	N ⁽¹⁾	S	S	S	S	S	A	A	A	A	A	B	B	B	B	B
8R2	8.2 pF	N ⁽¹⁾	N ⁽¹⁾	N ⁽¹⁾	N ⁽¹⁾	N ⁽¹⁾	S	S	S	S	S	A	A	A	A	A	B	B	B	B	B
100	10 pF	N	N	N	N	N	S	S	S	S	S	A	A	A	A	A	B	B	B	B	B
120	12 pF	N	N	N	N	N	S	S	S	S	S	A	A	A	A	A	B	B	B	B	B
150	15 pF	N	N	N	N	N	S	S	S	S	S	A	A	A	A	A	B	B	B	B	B
180	18 pF	N	N	N	N	N	S	S	S	S	S	A	A	A	A	A	B	B	B	B	B
220	22 pF	N	N	N	N	N	S	S	S	S	S	A	A	A	A	A	B	B	B	B	B
270	27 pF	N	N	N	N	N	S	S	S	S	S	A	A	A	A	A	B	B	B	B	B
330	33 pF	N	N	N	N	N	S	S	S	S	S	A	A	A	A	A	B	B	B	B	B
390	39 pF	N	N	N	N	N	S	S	S	S	S	A	A	A	A	A	B	B	B	B	B
470	47 pF	N	N	N	N	N	S	S	S	S	S	A	A	A	A	A	B	B	B	B	B
560	56 pF	N	N	N	N	N	S	S	S	S	S	A	A	A	A	A	B	B	B	B	B
680	68 pF	N	N	N	N	N	S	S	S	S	S	A	A	A	A	A	B	B	B	B	B
820	82 pF	N	N	N	N	N	S	S	S	S	S	A	A	A	A	A	B	B	B	B	B
101	100 pF	N	N	N	N	N	S	S	S	S	S	A	A	A	A	A	B	B	B	B	B
121	120 pF	N	N	N	N	N	S	S	S	S	S	A	A	A	A	A	B	B	B	B	B
151	150 pF	N	N	N	N	N	S	S	S	S	S	A	A	A	A	A	B	B	B	B	B
181	180 pF	N	N	N	N	N	S	S	S	S	S	A	A	A	A	A	B	B	B	B	B
221	220 pF	N	N	N	N	N	S	S	S	S	S	A	A	A	A	A	B	B	B	B	B
271	270 pF	N	N	N	N		S	S	S	S	S	A	A	A	A	A	B	B	B	B	B
331	330 pF	N	N	N	N		S	S	S	S	S	A	A	A	A	A	B	B	B	B	B
391	390 pF	N	N	N	N		S	S	S	S	S	B	B	B	B	B	B	B	B	B	B
471	470 pF	N	N	N	N		S	S	S	S	S	B	B	B	B	B	B	B	B	B	B
561	560 pF	N	N	N	N		S	S	S	S	S	B	B	B	B	B	B	B	B	B	B
681	680 pF	N	N	N	N		S	S	S	S	S	B	B	B	B	B	B	B	B	B	B
821	820 pF	N	N	N	N		S	S	S	S	S	B	B	B	B	B	B	B	B	B	B

Notes

- Letters indicate product thickness, see packaging quantities
- ⁽¹⁾ Indicate product with Ag/Ni/Sn termination



SELECTION CHART																					
DIELECTRIC		COG (NP0)																			
STYLE		VJ0402					VJ0603					VJ0805					VJ1206				
SIZE CODE		0402					0603					0805					1206				
VOLTAGE (V _{DC})		10	16	25	50	100	10	16	25	50	100	10	16	25	50	100	10	16	25	50	100
VOLTAGE CODE		Q	J	X	A	B	Q	J	X	A	B	Q	J	X	A	B	Q	J	X	A	B
CAP. CODE	CAP.																				
102	1.0 nF	N	N	N	N		S	S	S	S	S	B	B	B	B	B	B	B	B	B	B
122	1.2 nF						X	X	X	X		B	B	B	B	B	B	B	B	B	B
152	1.5 nF						X	X	X	X		B	B	B	B	B	B	B	B	B	B
182	1.8 nF						X	X	X	X		B	B	B	B	B	B	B	B	B	B
222	2.2 nF						X	X	X	X		B	B	B	B	B	B	B	B	B	B
272	2.7 nF						X	X	X	X		D	D	D	D	D	B	B	B	B	B
332	3.3 nF						X	X	X	X		D	D	D	D	D	B	B	B	B	B
392	3.9 nF											D	D	D	D	D	B	B	B	B	B
472	4.7 nF											D	D	D	D	D	B	B	B	B	B
562	5.6 nF											D	D	D	D		B	B	B	B	B
682	6.8 nF											D	D	D	D		C	C	C	C	C
822	8.2 nF											D	D	D	D		D	D	D	D	D
103	10 nF											D	D	D	D		D	D	D	D	D
123	12 nF											D ⁽¹⁾	D ⁽¹⁾				D ⁽¹⁾	D ⁽¹⁾			
153	15 nF																D ⁽¹⁾	D ⁽¹⁾			
183	18 nF																D ⁽¹⁾	D ⁽¹⁾			
223	22 nF																D ⁽¹⁾	D ⁽¹⁾			
273	27 nF																D ⁽¹⁾	D ⁽¹⁾			
333	33 nF																D ⁽¹⁾	D ⁽¹⁾			
393	39 nF																G ⁽¹⁾	G ⁽¹⁾			
473	47 nF																				
563	56 nF																				
683	68 nF																				
823	82 nF																				
104	100 nF																				

Notes

- Letters indicate product thickness, see packaging quantities
- ⁽¹⁾ Indicate product with Ag/Ni/Sn termination



SELECTION CHART																
DIELECTRIC		X5R														
STYLE		VJ0402					VJ0603					VJ0805				
SIZE CODE		0402					0603					0805				
VOLTAGE (V _{DC})		6.3 V	10 V	16 V	25 V	50 V	6.3 V	10 V	16 V	25 V	50 V	6.3 V	10 V	16 V	25 V	50 V
VOLTAGE CODE		Y	Q	J	X	A	Y	Q	J	X	A	Y	Q	J	X	A
CAP. CODE	CAP.															
473	47 nF			N												
563	56 nF		N													
683	68 nF		N	N												
823	82 nF	N	N	N												
104	100 nF	N	N	N	N											
124	120 nF															
154	150 nF		N		N											
184	180 nF															
224	220 nF	N	N	N	N			X	X							
274	270 nF							X	X							
334	330 nF	N	N					X	X	X						
394	390 nF							X	X							
474	470 nF	N	N					X	X	X						
564	560 nF															
684	680 nF	N	N					X	X	X						
824	820 nF						X	X	X							
105	1.0 µF	N	N	N			X	X	X	X	X					
155	1.5 µF						X					I	I	I		
225	2.2 µF	N	N				X	X	X	X		I	I	I	I	
335	3.3 µF											I	I	I	I	
475	4.7 µF	E					X	X	X			I	I	I	I	
106	10 µF	E					X	X				I	I	I	I	
226	22 µF						X ⁽¹⁾					I ⁽¹⁾	I ⁽¹⁾			
476	47 µF											I ⁽¹⁾				
686	68 µF															
107	100 µF															

Notes

- Letters indicate product thickness, see packaging quantities
- ⁽¹⁾ Not in 10 % (code “K”) tolerance

SELECTION CHART															
DIELECTRIC		X5R													
STYLE		VJ1206					VJ1210								
SIZE CODE		1206					1210								
VOLTAGE (V _{DC})		6.3 V	10 V	16 V	25 V	50 V	6.3 V	10 V	16 V	25 V	50 V				
VOLTAGE CODE		Y	Q	J	X	A	Y	Q	J	X	A				
CAP. CODE	CAP.														
105	1.0 µF														
155	1.5 µF		J	J				K	K						
225	2.2 µF		J	J	P			K	K						
335	3.3 µF		P	P	P										
475	4.7 µF	P	P	P	P	P ⁽¹⁾		K	K	K					
685	6.8 µF	P	P												
106	10 µF	P	P	P	P			K	K	K	M				
226	22 µF	P	P	P			M	M	M	M					
476	47 µF	P ⁽¹⁾	P ⁽¹⁾				M	M	M						
107	100 µF	P ⁽¹⁾					M ⁽¹⁾	M ⁽¹⁾							

Notes

- Letters indicate product thickness, see packaging quantities
- ⁽¹⁾ Not in 10 % (code “K”) tolerance



SELECTION CHART																
DIELECTRIC		X7R														
STYLE		VJ0402					VJ0603					VJ0805				
SIZE CODE		0402					0603					0805				
VOLTAGE (V _{DC})		10 V	16 V	25 V	50 V	100 V	10 V	16 V	25 V	50 V	100 V	10 V	16 V	25 V	50 V	100 V
VOLTAGE CODE		Q	J	X	A	B	Q	J	X	A	B	Q	J	X	A	B
CAP. CODE	CAP.															
101	100 pF	N	N	N	N		S ⁽¹⁾	S ⁽¹⁾	S ⁽¹⁾	S ⁽¹⁾	S ⁽¹⁾	B ⁽¹⁾	B ⁽¹⁾	B ⁽¹⁾	B ⁽¹⁾	B ⁽¹⁾
121	120 pF	N	N	N	N		S ⁽¹⁾	S ⁽¹⁾	S ⁽¹⁾	S ⁽¹⁾	S ⁽¹⁾	B ⁽¹⁾	B ⁽¹⁾	B ⁽¹⁾	B ⁽¹⁾	B ⁽¹⁾
151	150 pF	N	N	N	N		S ⁽¹⁾	S ⁽¹⁾	S ⁽¹⁾	S ⁽¹⁾	S ⁽¹⁾	B ⁽¹⁾	B ⁽¹⁾	B ⁽¹⁾	B ⁽¹⁾	B ⁽¹⁾
181	180 pF	N	N	N	N		S ⁽¹⁾	S ⁽¹⁾	S ⁽¹⁾	S ⁽¹⁾	S ⁽¹⁾	B ⁽¹⁾	B ⁽¹⁾	B ⁽¹⁾	B ⁽¹⁾	B ⁽¹⁾
221	220 pF	N	N	N	N		S ⁽¹⁾	S ⁽¹⁾	S ⁽¹⁾	S ⁽¹⁾	S ⁽¹⁾	B ⁽¹⁾	B ⁽¹⁾	B ⁽¹⁾	B ⁽¹⁾	B ⁽¹⁾
271	270 pF	N	N	N	N		S ⁽¹⁾	S ⁽¹⁾	S ⁽¹⁾	S ⁽¹⁾	S ⁽¹⁾	B ⁽¹⁾	B ⁽¹⁾	B ⁽¹⁾	B ⁽¹⁾	B ⁽¹⁾
331	330 pF	N	N	N	N		S ⁽¹⁾	S ⁽¹⁾	S ⁽¹⁾	S ⁽¹⁾	S ⁽¹⁾	B ⁽¹⁾	B ⁽¹⁾	B ⁽¹⁾	B ⁽¹⁾	B ⁽¹⁾
391	390 pF	N	N	N	N		S ⁽¹⁾	S ⁽¹⁾	S ⁽¹⁾	S ⁽¹⁾	S ⁽¹⁾	B ⁽¹⁾	B ⁽¹⁾	B ⁽¹⁾	B ⁽¹⁾	B ⁽¹⁾
471	470 pF	N	N	N	N		S	S	S	S	S	B	B	B	B	B
561	560 pF	N	N	N	N		S	S	S	S	S	B	B	B	B	B
681	680 pF	N	N	N	N		S	S	S	S	S	B	B	B	B	B
821	820 pF	N	N	N	N		S	S	S	S	S	B	B	B	B	B
102	1.0 nF	N	N	N	N		S	S	S	S	S	B	B	B	B	B
122	1.2 nF	N	N	N	N		S	S	S	S	S	B	B	B	B	B
152	1.5 nF	N	N	N	N		S	S	S	S	S	B	B	B	B	B
182	1.8 nF	N	N	N	N		S	S	S	S	S	B	B	B	B	B
222	2.2 nF	N	N	N	N		S	S	S	S	S	B	B	B	B	B
272	2.7 nF	N	N	N	N		S	S	S	S	S	B	B	B	B	B
332	3.3 nF	N	N	N	N		S	S	S	S	S	B	B	B	B	B
392	3.9 nF	N	N	N	N		S	S	S	S	S	B	B	B	B	B
472	4.7 nF	N	N	N	N		S	S	S	S	S	B	B	B	B	B
562	5.6 nF	N	N	N	N		S	S	S	S	S	B	B	B	B	B
682	6.8 nF	N	N	N	N		S	S	S	S	S	B	B	B	B	B
822	8.2 nF	N	N	N	N		S	S	S	S	S	B	B	B	B	B
103	10 nF	N	N	N	N		S	S	S	S	S	B	B	B	B	B
123	12 nF	N	N	N			S	S	S	S		B	B	B	B	B
153	15 nF	N	N	N			S	S	S	S		B	B	B	B	B
183	18 nF	N	N	N			S	S	S	S		B	B	B	B	B
223	22 nF	N	N	N			S	S	S	S		B	B	B	B	B
273	27 nF	N	N	N			S	S	S	S		B	B	B	B	D
333	33 nF	N	N	N			S	S	S	X		B	B	B	B	D
393	39 nF	N	N	N			S	S	S	X		B	B	B	B	D
473	47 nF	N	N	N			S	S	S	X		B	B	B	B	D
563	56 nF	N	N				S	S	S	X		B	B	B	B	D
683	68 nF	N	N				S	S	S	X		B	B	B	B	D
823	82 nF	N	N				S	S	S	X		B	B	B	B	D
104	100 nF	N	N	N			S	S	S	X		B	B	B	B/D	D
124	120 nF						S	S	X			B	B	B	D	
154	150 nF						S	S	X			D	D	D	D	
184	180 nF						S	S	X			D	D	D	D	
224	220 nF	N ⁽²⁾	N				S	S	X			D	D	D	D	
274	270 nF						X	X	X			D	D	D		
334	330 nF						X	X	X			D	D	D	I	
394	390 nF						X	X	X			D	D	D		
474	470 nF						X	X	X			D	D	D	I	
564	560 nF						X	X				D	D	D		
684	680 nF						X	X				D	D	D		
824	820 nF						X	X				D	D	D		
105	1.0 μF						X	X	X ⁽¹⁾			D	D	D	I ⁽¹⁾	
155	1.5 μF											I	I ⁽¹⁾	I ⁽¹⁾		
225	2.2 μF						X ⁽¹⁾					I	I	I		
335	3.3 μF															
475	4.7 μF											I ⁽¹⁾	I ⁽¹⁾			
685	6.8 μF															
106	10 μF											I ⁽¹⁾				
156	15 μF															
226	22 μF															
336	33 μF															
476	47 μF															
686	68 μF															

Notes

- Letters indicate product thickness, see packaging quantities
- (1) Not in 5 % (code "J") tolerance
- (2) Only in 10 % (code "K") tolerance



SELECTION CHART											
DIELECTRIC		X7R									
STYLE		VJ1206					VJ1210				
SIZE CODE		1206					1210				
VOLTAGE (V _{DC})		10 V	16 V	25 V	50 V	100 V	10 V	16 V	25 V	50 V	100 V
VOLTAGE CODE		Q	J	X	A	B	Q	J	X	A	B
CAP. CODE	CAP.										
101	100 pF										
121	120 pF										
151	150 pF	B ⁽¹⁾	B ⁽¹⁾	B ⁽¹⁾	B ⁽¹⁾	B ⁽¹⁾					
181	180 pF	B ⁽¹⁾	B ⁽¹⁾	B ⁽¹⁾	B ⁽¹⁾	B ⁽¹⁾					
221	220 pF	B ⁽¹⁾	B ⁽¹⁾	B ⁽¹⁾	B ⁽¹⁾	B ⁽¹⁾					
271	270 pF	B ⁽¹⁾	B ⁽¹⁾	B ⁽¹⁾	B ⁽¹⁾	B ⁽¹⁾					
331	330 pF	B ⁽¹⁾	B ⁽¹⁾	B ⁽¹⁾	B ⁽¹⁾	B ⁽¹⁾					
391	390 pF	B ⁽¹⁾	B ⁽¹⁾	B ⁽¹⁾	B ⁽¹⁾	B ⁽¹⁾					
471	470 pF	B	B	B	B	B					
561	560 pF	B	B	B	B	B					
681	680 pF	B	B	B	B	B					
821	820 pF	B	B	B	B	B					
102	1.0 nF	B	B	B	B	B	C	C	C	C	C
122	1.2 nF	B	B	B	B	B	C	C	C	C	C
152	1.5 nF	B	B	B	B	B	C	C	C	C	C
182	1.8 nF	B	B	B	B	B	C	C	C	C	C
222	2.2 nF	B	B	B	B	B	C	C	C	C	C
272	2.7 nF	B	B	B	B	B	C	C	C	C	C
332	3.3 nF	B	B	B	B	B	C	C	C	C	C
392	3.9 nF	B	B	B	B	B	C	C	C	C	C
472	4.7 nF	B	B	B	B	B	C	C	C	C	C
562	5.6 nF	B	B	B	B	B	C	C	C	C	C
682	6.8 nF	B	B	B	B	B	C	C	C	C	C
822	8.2 nF	B	B	B	B	B	C	C	C	C	C
103	10 nF	B	B	B	B	B	C	C	C	C	C
123	12 nF	B	B	B	B	B	C	C	C	C	C
153	15 nF	B	B	B	B	B	C	C	C	C	C
183	18 nF	B	B	B	B	B	C	C	C	C	C
223	22 nF	B	B	B	B	B	C	C	C	C	C
273	27 nF	B	B	B	B	B	C	C	C	C	C
333	33 nF	B	B	B	B	B	C	C	C	C	C
393	39 nF	B	B	B	B	B	C	C	C	C	C
473	47 nF	B	B	B	B	B	C	C	C	C	C
563	56 nF	B	B	B	B	B	C	C	C	C	C
683	68 nF	B	B	B	B	B	C	C	C	C	C
823	82 nF	B	B	B	B	D	C	C	C	C	C
104	100 nF	B	B	B	B	D	C	C	C	C	C
124	120 nF	B	B	B	B	D	C	C	C	C	C
154	150 nF	C	C	C	C	G	C	C	C	C	D
184	180 nF	C	C	C	C	G	C	C	C	C	D
224	220 nF	C	C	C	C	G	C	C	C	C	D
274	270 nF	C	C	C	D	G	C	C	C	C	G
334	330 nF	C	C	C	D	G	C	C	C	D	G
394	390 nF	C	C	J	P	G	C	C	C	D	M
474	470 nF	J	J	J	P	G	C	C	C	D	M
564	560 nF	J	J	J	P	P	D	D	D	D	M
684	680 nF	J	J	J	P	P	D	D	D	D	K
824	820 nF	J	J	J	P	P	D	D	D	D	K
105	1.0 μF	J	J	J	P	P	D	D	D	D	K
155	1.5 μF	J	J	P							M
225	2.2 μF	J	J	P	P ⁽¹⁾			K	G		M
335	3.3 μF	P	P	P					G ⁽¹⁾		
475	4.7 μF	P	P	P	P ⁽¹⁾		K	K	K ⁽¹⁾	M ⁽¹⁾	
685	6.8 μF										
106	10 μF	P	P ⁽¹⁾	P ⁽¹⁾			K	K	K ⁽¹⁾	M ⁽¹⁾	
156	15 μF										
226	22 μF	P ⁽¹⁾						M ⁽²⁾	M ⁽²⁾		
336	33 μF										
476	47 μF						M ⁽¹⁾				
686	68 μF										
107	100 μF										

Notes

- Letters indicate product thickness, see packaging quantities
- ⁽¹⁾ Not in 5 % (code “J”) tolerance
- ⁽²⁾ Only in 20 % (code “M”) tolerance



SELECTION CHART																		
DIELECTRIC		Y5V																
STYLE		VJ0402					VJ0603					VJ0805						
SIZE CODE		0402					0603					0805						
VOLTAGE (V _{DC})		6.3 V	10 V	16 V	25 V	50 V	100 V	10 V	16 V	25 V	50 V	100 V	10 V	16 V	25 V	50 V	100 V	
VOLTAGE CODE		Y	Q	J	X	A	B	Q	J	X	A	B	Q	J	X	A	B	
CAP. CODE	CAP.																	
102	1.0 nF																	
122	1.2 nF																	
152	1.5 nF																	
182	1.8 nF																	
222	2.2 nF																	
272	2.7 nF																	
332	3.3 nF																	
392	3.9 nF																	
472	4.7 nF																	
562	5.6 nF																	
682	6.8 nF																	
822	8.2 nF																	
103	10 nF		N	N	N	N		S	S	S	S		A	A	A	A	B	
123	12 nF		N	N	N	N		S	S	S	S		A	A	A	A		
153	15 nF		N	N	N	N		S	S	S	S		A	A	A	A	B	
183	18 nF		N	N	N	N		S	S	S	S		A	A	A	A		
223	22 nF		N	N	N	N		S	S	S	S		A	A	A	A	B	
273	27 nF		N	N	N	N		S	S	S	S		A	A	A	A		
333	33 nF		N	N	N	N		S	S	S	S		A	A	A	A	B	
393	39 nF		N	N	N			S	S	S	S		A	A	A	A		
473	47 nF		N	N	N			S	S	S	S		A	A	A	A	B	
563	56 nF		N	N	N ⁽¹⁾			S	S	S	S		A	A	A	A		
683	68 nF		N	N	N			S	S	S	S		A	A	A	A	B	
823	82 nF		N	N				S	S	S	S		A	A	A	A		
104	100 nF		N	N	N			S	S	S	S		A	A	A	A	B	
154	150 nF		N					S	S	S	S		A	A	A	A		
224	220 nF	N	N					S	S	S	S		A	A	A	A		
334	330 nF	N	N					S	S	S			B	B	B	B		
474	470 nF	N	N					S	S	X	S		B	B	B	B		
684	680 nF	N						S	X				B	B	D	D		
105	1.0 μF	N	N					S	X	X			B	B	D	D		
155	1.5 μF							S					D	D				
225	2.2 μF							S	X				D	D	I			
335	3.3 μF												D	D				
475	4.7 μF							X					D	D	I			
685	6.8 μF												I					
106	10 μF												I	I				
226	22 μF																	
336	33 μF																	
476	47 μF																	
686	68 μF																	
107	100 μF																	

Notes

- Letters indicate product thickness, please see packaging quantities
- (1) Not in 20 % (code "M") tolerance



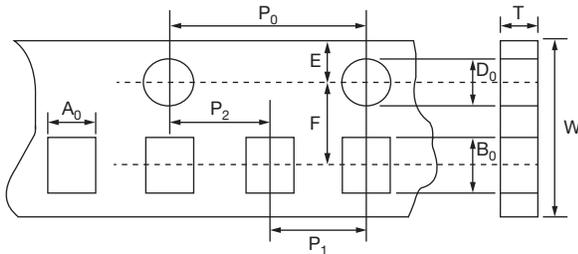
SELECTION CHART														
DIELECTRIC		Y5V												
STYLE		VJ1206						VJ1210						
SIZE CODE		1206						1210						
VOLTAGE (V _{DC})		10 V	16 V	25 V	35 V	50 V	100 V	6.3 V	10 V	16 V	25 V	35 V	50 V	100 V
VOLTAGE CODE		Q	J	X	Z	A	B	Y	Q	J	X	Z	A	B
CAP. CODE	CAP.													
102	1.0 nF													
122	1.2 nF													
152	1.5 nF													
182	1.8 nF													
222	2.2 nF													
272	2.7 nF													
332	3.3 nF													
392	3.9 nF													
472	4.7 nF													
562	5.6 nF													
682	6.8 nF													
822	8.2 nF													
103	10 nF	B	B	B		B	B							C
123	12 nF	B	B	B		B								
153	15 nF	B	B	B		B	B							C
183	18 nF	B	B	B		B								
223	22 nF	B	B	B		B	B							C
273	27 nF	B	B	B		B								
333	33 nF	B	B	B		B	B							C
393	39 nF	B	B	B		B								
473	47 nF	B	B	B		B	B							C
563	56 nF	B	B	B		B								
683	68 nF	B	B	B		B	B							C
823	82 nF	B	B	B		B								
104	100 nF	B	B	B		B	B		C	C	C		C	C
154	150 nF	B	B	B		B	C		C	C	C		C	C
224	220 nF	B	B	B		B	C		C	C	C		C	C
334	330 nF	B	B	B		B			C	C	C		C	C
474	470 nF	B	B	B		B			C	C	C		C	
684	680 nF	B	B	B		B			C	C	C		C	
105	1.0 μF	C	C	C		C			C	C	C		C	
155	1.5 μF	C	C	C					C	C	C			
225	2.2 μF	C	C	C		J ⁽¹⁾			C	C	C		G	
335	3.3 μF	J	J	J					C	C	C			
475	4.7 μF	J	J	J	J	P			C	C	D		G	
685	6.8 μF	J	J						C	C	D			
106	10 μF	J	J	P					D	D	G	K		
226	22 μF	P							K	K				
336	33 μF													
476	47 μF							K	K					
686	68 μF													
107	100 μF							M						

Notes

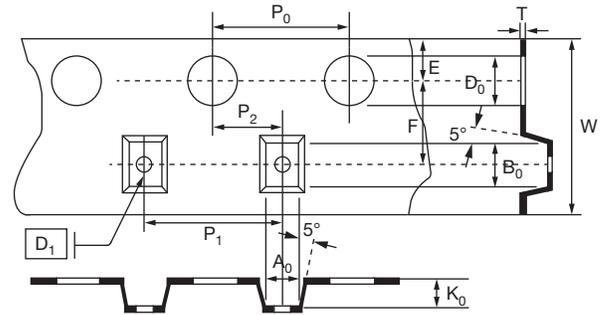
- Letters indicate product thickness, please see packaging quantities
- ⁽¹⁾ Not in 20 % (code "M") tolerance



PACKAGING QUANTITIES						
SIZE CODE (inch / mm)	MAX. THICKNESS (mm)	THICKNESS SYMBOL	PAPER TAPE		PLASTIC TAPE	
			7" REEL (C)	13" REEL (P)	7" REEL (T)	13" REEL (R)
0402 (1002)	0.55	N	10K	50K		
	0.70	E	10K			
0603 (1608)	0.87	S	4K	15K		
	0.95	X	4K	15K		
	1.00	X'	4K	15K		
0805 (2012)	0.75	A	4K	15K		
	0.95	B	4K	15K		
	1.40	D			3K	10K
	1.45	I			3K	10K
1206 (3216)	0.95	B	4K	15K		
	1.05	C			3K	10K
	1.30	J			3K	10K
	1.35	D			3K	10K
	1.80	G			2K	
	1.90	P			2K	
1210 (3225)	1.05	C			3K	10K
	1.35	D			3K	10K
	1.80	G			2K	
	2.20	K			1K	
	2.80	M			1K	

TAPE AND REEL SPECIFICATION


Dimensions of paper tape

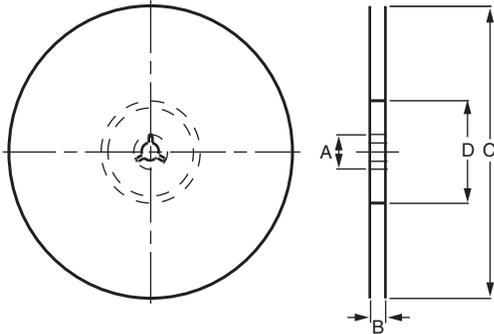


Dimensions of plastic tape

DIMENSIONS PAPER TAPE in millimeters						
SIZE CODE	0402		0603	0805		1206
THICKNESS	N	E	S, X, X'	A	B	B
A ₀	0.62 ± 0.05	0.70 ± 0.10	1.02 ± 0.05	1.50 ± 0.10	1.50 ± 0.10	2.00 ± 0.10
B ₀	1.12 ± 0.05	1.20 ± 0.10	1.80 ± 0.05	2.30 ± 0.10	2.30 ± 0.10	3.50 ± 0.10
T	0.60 ± 0.05	0.70 ± 0.10	0.95 ± 0.05	0.75 ± 0.05	0.95 ± 0.05	0.95 ± 0.05
K ₀	-	-	-	-	-	-
W	8.00 ± 0.10	8.00 ± 0.10	8.00 ± 0.10	8.00 ± 0.10	8.00 ± 0.10	8.00 ± 0.10
P ₀	4.00 ± 0.10	4.00 ± 0.10	4.00 ± 0.10	4.00 ± 0.10	4.00 ± 0.10	4.00 ± 0.10
10 x P ₀	40.0 ± 0.10	40.0 ± 0.10	40.0 ± 0.10	40.0 ± 0.10	40.0 ± 0.10	40.0 ± 0.10
P ₁	2.00 ± 0.05	2.00 ± 0.05	4.00 ± 0.10	4.00 ± 0.10	4.00 ± 0.10	4.00 ± 0.10
P ₂	2.00 ± 0.05	2.00 ± 0.05	2.00 ± 0.05	2.00 ± 0.05	2.00 ± 0.05	2.00 ± 0.05
D ₀	1.55 ± 0.05	1.55 ± 0.05	1.55 ± 0.05	1.55 ± 0.05	1.55 ± 0.05	1.50 ± 0.05
D ₁	-	-	-	-	-	-
E	1.75 ± 0.05	1.75 ± 0.05	1.75 ± 0.05	1.75 ± 0.05	1.75 ± 0.05	1.75 ± 0.10
F	3.50 ± 0.05	3.50 ± 0.05	3.50 ± 0.05	3.50 ± 0.05	3.50 ± 0.05	3.50 ± 0.05

DIMENSIONS PLASTIC TAPE in millimeters						
SIZE CODE	0805	1206		1210		
THICKNESS	D, I	C, J, D	G, P	C, D	G, K	M
A ₀	< 1.57	< 1.85	< 1.95	< 2.97	< 2.97	< 2.97
B ₀	< 2.40	< 3.46	< 3.67	< 3.73	< 3.73	< 3.73
T	0.23 ± 0.05	0.23 ± 0.05	0.23 ± 0.05	0.23 ± 0.05	0.23 ± 0.05	0.23 ± 0.05
K ₀	< 2.50	< 2.50	< 2.50	< 2.50	< 2.50	< 3.00
W	8.00 ± 0.10	8.00 ± 0.10	8.00 ± 0.10	8.00 ± 0.10	8.00 ± 0.10	8.00 ± 0.10
P ₀	4.00 ± 0.10	4.00 ± 0.10	4.00 ± 0.10	4.00 ± 0.10	4.00 ± 0.10	4.00 ± 0.10
10 x P ₀	40.0 ± 0.10	40.0 ± 0.10	40.0 ± 0.10	40.0 ± 0.10	40.0 ± 0.10	40.0 ± 0.10
P ₁	4.00 ± 0.10	4.00 ± 0.10	4.00 ± 0.10	4.00 ± 0.10	4.00 ± 0.10	4.00 ± 0.10
P ₂	2.00 ± 0.05	2.00 ± 0.05	2.00 ± 0.05	2.00 ± 0.05	2.00 ± 0.05	2.00 ± 0.05
D ₀	1.50 ± 0.05	1.50 ± 0.05	1.50 ± 0.05	1.50 ± 0.05	1.50 ± 0.05	1.50 ± 0.05
D ₁	1.00 ± 0.10	1.00 ± 0.10	1.00 ± 0.10	1.00 ± 0.10	1.00 ± 0.10	1.00 ± 0.10
E	1.75 ± 0.10	1.75 ± 0.10	1.75 ± 0.10	1.75 ± 0.10	1.75 ± 0.10	1.75 ± 0.10
F	3.50 ± 0.05	3.50 ± 0.05	3.50 ± 0.05	3.50 ± 0.05	3.50 ± 0.05	3.50 ± 0.05

REEL SPECIFICATION



REEL DIMENSIONS in millimeters

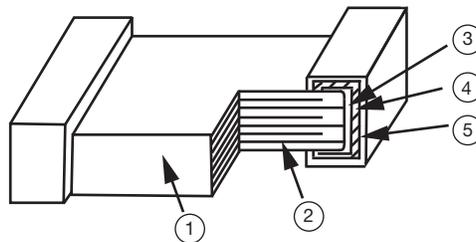
SYMBOL	7" REEL	13" REEL
A	13.0 ± 0.5	13.0 ± 0.5
B	9.0 ± 1.0	9.0 ± 1.0
C	178.0 ± 1.0	330.0 ± 1.0
D	60.0 ± 1.0	100.0 ± 1.0

CONSTRUCTION

NO.	NAME	COG (NP0) ⁽¹⁾	COG (NP0) / X5R / X7R / Y5V
1	Ceramic material	BaTiO ₃ based	
2	Inner electrode	AgPd alloy	Ni
3	Termination	Inner layer	Cu
4		Middle layer	Ni
5		Outer layer	Sn (matt)

Note

⁽¹⁾ COG (NP0) items are with Ag/Ni/Sn terminations, please see selection chart



STORAGE AND HANDLING CONDITIONS

- (1) To store products at 5 °C to 40 °C ambient temperature and 20 % to 70 % relative humidity conditions.
- (2) The product is recommended to be used within one year after shipment. Check solderability in case of shelf life extension is needed.

Cautions:

- a. Do not store products in a corrosive environment such as sulfide, chloride gas, or acid. It may cause oxidization of electrode, which easily be resulted in poor soldering.
- b. To store products on the shelf and avoid exposure to moisture.
- c. Do not expose products to excessive shock, vibration, direct sunlight and so on.



Disclaimer

ALL PRODUCT, PRODUCT SPECIFICATIONS AND DATA ARE SUBJECT TO CHANGE WITHOUT NOTICE TO IMPROVE RELIABILITY, FUNCTION OR DESIGN OR OTHERWISE.

Vishay Intertechnology, Inc., its affiliates, agents, and employees, and all persons acting on its or their behalf (collectively, "Vishay"), disclaim any and all liability for any errors, inaccuracies or incompleteness contained in any datasheet or in any other disclosure relating to any product.

Vishay makes no warranty, representation or guarantee regarding the suitability of the products for any particular purpose or the continuing production of any product. To the maximum extent permitted by applicable law, Vishay disclaims (i) any and all liability arising out of the application or use of any product, (ii) any and all liability, including without limitation special, consequential or incidental damages, and (iii) any and all implied warranties, including warranties of fitness for particular purpose, non-infringement and merchantability.

Statements regarding the suitability of products for certain types of applications are based on Vishay's knowledge of typical requirements that are often placed on Vishay products in generic applications. Such statements are not binding statements about the suitability of products for a particular application. It is the customer's responsibility to validate that a particular product with the properties described in the product specification is suitable for use in a particular application. Parameters provided in datasheets and/or specifications may vary in different applications and performance may vary over time. All operating parameters, including typical parameters, must be validated for each customer application by the customer's technical experts. Product specifications do not expand or otherwise modify Vishay's terms and conditions of purchase, including but not limited to the warranty expressed therein.

Except as expressly indicated in writing, Vishay products are not designed for use in medical, life-saving, or life-sustaining applications or for any other application in which the failure of the Vishay product could result in personal injury or death. Customers using or selling Vishay products not expressly indicated for use in such applications do so at their own risk. Please contact authorized Vishay personnel to obtain written terms and conditions regarding products designed for such applications.

No license, express or implied, by estoppel or otherwise, to any intellectual property rights is granted by this document or by any conduct of Vishay. Product names and markings noted herein may be trademarks of their respective owners.

Material Category Policy

Vishay Intertechnology, Inc. hereby certifies that all its products that are identified as RoHS-Compliant fulfill the definitions and restrictions defined under Directive 2011/65/EU of The European Parliament and of the Council of June 8, 2011 on the restriction of the use of certain hazardous substances in electrical and electronic equipment (EEE) - recast, unless otherwise specified as non-compliant.

Please note that some Vishay documentation may still make reference to RoHS Directive 2002/95/EC. We confirm that all the products identified as being compliant to Directive 2002/95/EC conform to Directive 2011/65/EU.

Vishay Intertechnology, Inc. hereby certifies that all its products that are identified as Halogen-Free follow Halogen-Free requirements as per JEDEC JS709A standards. Please note that some Vishay documentation may still make reference to the IEC 61249-2-21 definition. We confirm that all the products identified as being compliant to IEC 61249-2-21 conform to JEDEC JS709A standards.

Компания «Океан Электроники» предлагает заключение долгосрочных отношений при поставках импортных электронных компонентов на взаимовыгодных условиях!

Наши преимущества:

- Поставка оригинальных импортных электронных компонентов напрямую с производств Америки, Европы и Азии, а так же с крупнейших складов мира;
- Широкая линейка поставок активных и пассивных импортных электронных компонентов (более 30 млн. наименований);
- Поставка сложных, дефицитных, либо снятых с производства позиций;
- Оперативные сроки поставки под заказ (от 5 рабочих дней);
- Экспресс доставка в любую точку России;
- Помощь Конструкторского Отдела и консультации квалифицированных инженеров;
- Техническая поддержка проекта, помощь в подборе аналогов, поставка прототипов;
- Поставка электронных компонентов под контролем ВП;
- Система менеджмента качества сертифицирована по Международному стандарту ISO 9001;
- При необходимости вся продукция военного и аэрокосмического назначения проходит испытания и сертификацию в лаборатории (по согласованию с заказчиком);
- Поставка специализированных компонентов военного и аэрокосмического уровня качества (Xilinx, Altera, Analog Devices, Intersil, Interpoint, Microsemi, Actel, Aeroflex, Peregrine, VPT, Syfer, Eurofarad, Texas Instruments, MS Kennedy, Miteq, Cobham, E2V, MA-COM, Hittite, Mini-Circuits, General Dynamics и др.);

Компания «Океан Электроники» является официальным дистрибьютором и эксклюзивным представителем в России одного из крупнейших производителей разъемов военного и аэрокосмического назначения «JONHON», а так же официальным дистрибьютором и эксклюзивным представителем в России производителя высокотехнологичных и надежных решений для передачи СВЧ сигналов «FORSTAR».



JONHON

«JONHON» (основан в 1970 г.)

Разъемы специального, военного и аэрокосмического назначения:

(Применяются в военной, авиационной, аэрокосмической, морской, железнодорожной, горно- и нефтедобывающей отраслях промышленности)

«FORSTAR» (основан в 1998 г.)

ВЧ соединители, коаксиальные кабели, кабельные сборки и микроволновые компоненты:

(Применяются в телекоммуникациях гражданского и специального назначения, в средствах связи, РЛС, а так же военной, авиационной и аэрокосмической отраслях промышленности).



Телефон: 8 (812) 309-75-97 (многоканальный)

Факс: 8 (812) 320-03-32

Электронная почта: ocean@oceanchips.ru

Web: <http://oceanchips.ru/>

Адрес: 198099, г. Санкт-Петербург, ул. Калинина, д. 2, корп. 4, лит. А