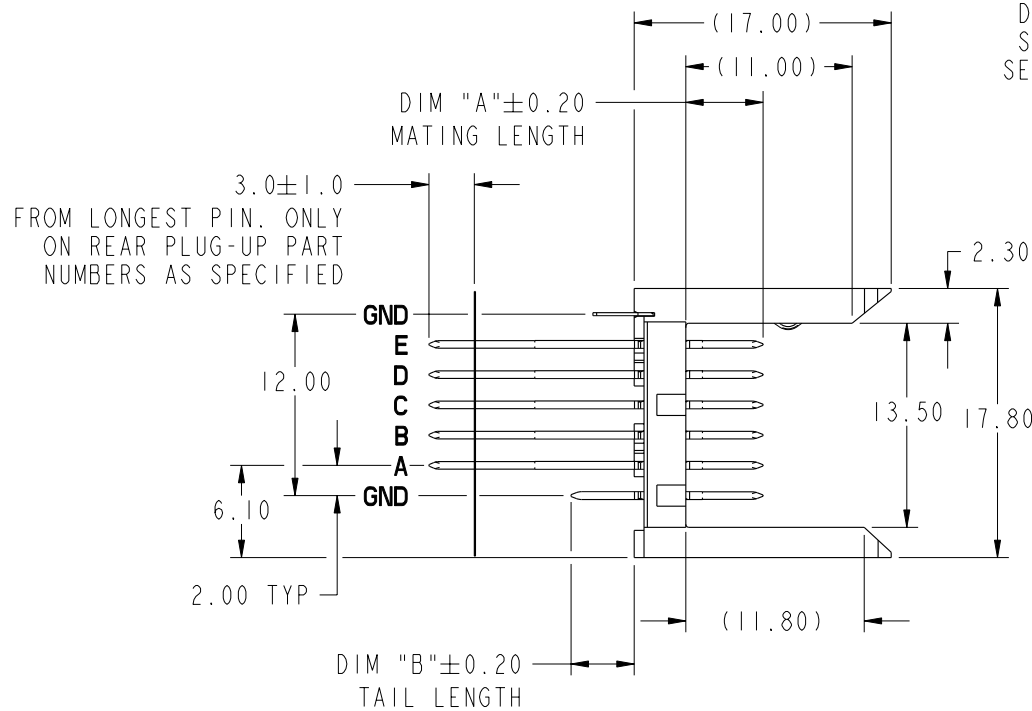
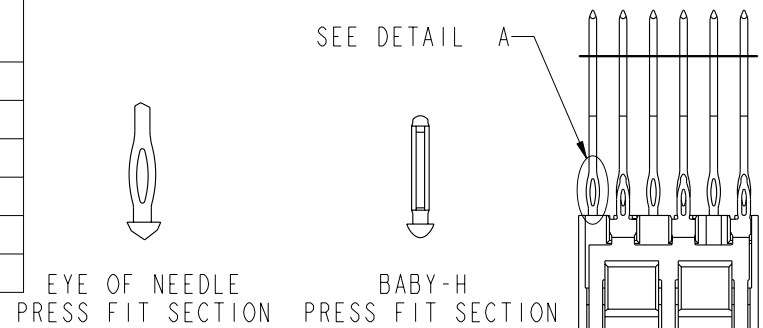
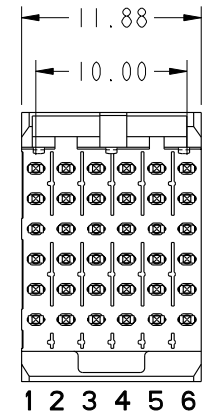


PRODUCT NUMBER	PLATING PERFORMANCE LEVEL	APPLICATION	FOR REAR PLUG-UP APPLICATIONS USE SHROUD
74817-1ZZZ	TELCORDIA CO	STANDARD	84818-104
74817-1ZZZLF		LEAD FREE	84818-104LF
74817-5ZZZ	TELCORDIA UE	STANDARD	84818-504
74817-5ZZZLF		LEAD FREE	84818-504LF
74817-9ZZZ	TELCORDIA CO	STANDARD	84818-104
74817-9ZZZLF		LEAD FREE	84818-104LF



DETAIL A
SCALE 4:1
SEE NOTE 16

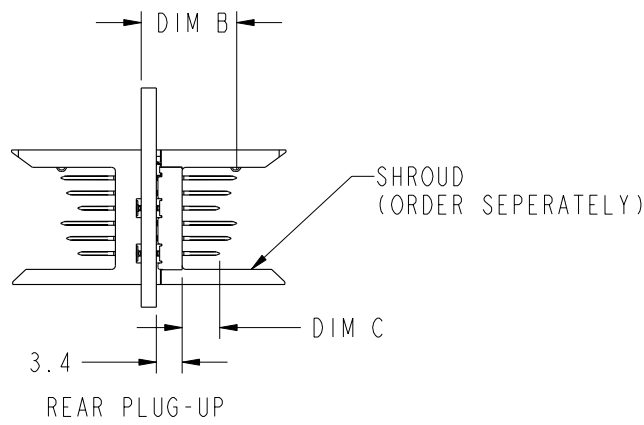


mat'l code SEE NOTE 5				tolerances unless otherwise specified				CUSTOMER		FCJ www.fciconnect.com	
ltr	ecn no.	dr	date	0.X ± 0.3		COPY		title			
AW	V08-0141	LP	2008-03-28	0.XX ± 0.13		projection		VERTICAL SIGNAL HDR 5 ROW			
-	-	-	-	.XXX ± .051		MM		P.F. 30 POS. SELECT LOAD STD.			
AR	V07-0187	DCH	2007-04-24	0° ± 2°		MM		product family		code	
AS	V07-0676	HTB	2007-11-07	dr	K. BELL	2000-03-29	← MM →		METRAL 1000		213
AT	V07-0697	LP	2007-11-29	engr	M. HAHN	2000-03-29	scale		size		sheet
AU	V08-0002	HTB	2008-01-09	chr	M. HAHN	2000-03-29	2:1		A		1 of 9
AV	V08-0048	LP	2008-2-1	appd	M. HAHN	2000-03-29			74817		
sheet index	revision sheet	AW	AW	AW	AW	AW	AW	AW	AW	AW	
		1	2	3	4	5	6	7	8	9	

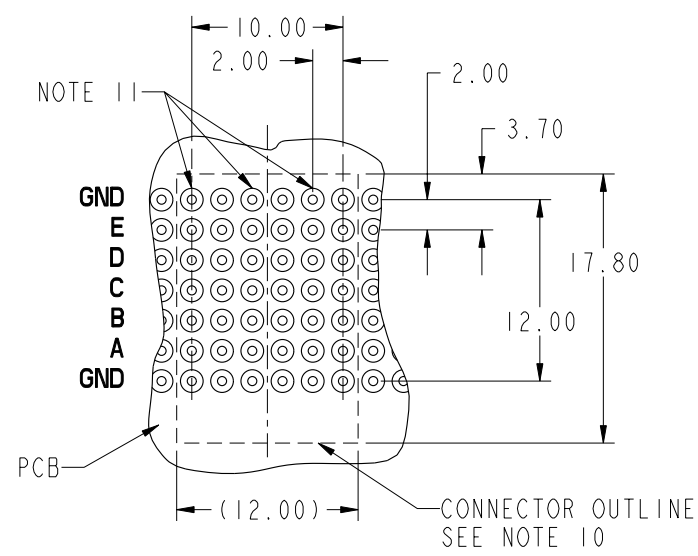
This document is the property of and embodies CONFIDENTIAL and PROPRIETARY information of FCJ. No part of the information shown on this document may be used in any way or disclosed to others without the written consent of FCJ. Copyright FCJ.

PRODUCT NUMBER
SEE SHEET 1

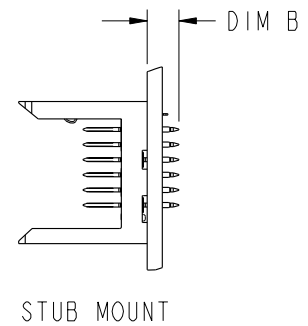
PRESS-FIT HOLES	OPTION 1
HOLE DIAMETER AFTER PLATING	0.65-0.80
DRILLED HOLE	0.81-0.86 (0.85 DRILL)
COPPER PLATING	0.025 MIN
SnPb PLATING	0.005-0.015



SEE PRINT 58351 FOR ADDITIONAL
PCB INFORMATION



RECOMMENDED PCB HOLE PATTERN
(COMPONENT SIDE)



mat'l code SEE NOTE 5				tolerances unless otherwise specified		CUSTOMER	FCj www.fciconnect.com		
ltr	ecr no.	dr	date	linear	0.X ±0.3	COPY	title		
AW				linear	0.XX ±0.13	projection	VERTICAL SIGNAL HDR 5 ROW P.F. 30 POS. SELECT LOAD STD.		
				angles	.XXX ±.051		product family		
				dr	0° ±2°		MM	METRAL 1000	code
				engr	K. BELL 2000-03-29		size	dwg no	213
				chr	M. HAHN 2000-03-29		A	74817	sheet
				appd	M. HAHN 2000-03-29		2:1		2
sheet index	revision sheet						cage code	22526	4

This document is the property of and embodies
 CONFIDENTIAL and PROPRIETARY information of FCj.
 No part of the information shown on this
 document may be used in any way or disclosed
 to others without the written consent of FCj.
 Copyright FCj.

PIN CODE NO.	DIM A MATING LENGTH	DIM B TAIL LENGTH	PCB THICKNESS RANGE ACCOMMODATED BY PIN'S TAIL LENGTH				
			WHEN MATING TO A 73981 OR 84688 SERIES METRAL 1000 RECEPTACLE		WHEN MATING TO A 52057 SERIES METRAL 4000 RECEPTACLE		
			ROWS A,B,C,D,E	GROUND ROW	ROWS:A,B,D,E	ROW C	GROUND ROW
01*	5.00	4.30	1.60 MIN	1.60 MIN	1.60 MIN	1.60 MIN	1.60 MIN
22		12.20	2.95 - 3.80	2.95 - 4.20	2.95 - 3.80	2.95 - 3.80	2.95 - 4.20
30		12.95	2.95 - 4.55	3.25 - 4.95	2.95 - 4.55	2.95 - 4.55	3.25 - 4.95
05		13.70	2.95 - 5.30	4.00 - 5.70	3.30 - 5.30	2.95 - 5.30	4.00 - 5.70
35		14.45	3.05 - 6.05	4.75 - 6.45	4.05 - 6.05	3.05 - 6.05	4.75 - 6.45
48		15.20	3.80 - 6.80	5.50 - 7.20	4.80 - 6.80	3.80 - 6.80	5.50 - 7.20
40		15.70	4.30 - 7.30	6.00 - 7.70	5.30 - 7.30	4.30 - 7.30	6.00 - 7.70
65		16.40	5.00 - 8.00	6.70 - 8.40	6.00 - 8.00	5.00 - 8.00	6.70 - 8.40
09		17.10	5.70 - 8.70	7.40 - 9.10	6.70 - 8.70	5.70 - 8.70	7.40 - 9.10
02*	5.75	4.30	1.60 MIN	1.60 MIN	1.60 MIN	1.60 MIN	1.60 MIN
44		12.20	2.95 - 3.80	2.95 - 4.20	2.95 - 3.80	2.95 - 3.80	2.95 - 4.20
31		12.95	2.95 - 4.55	3.25 - 4.95	2.95 - 4.55	2.95 - 4.55	3.25 - 4.95
06		13.70	2.95 - 5.30	4.00 - 5.70	3.30 - 5.30	2.95 - 5.30	4.00 - 5.70
36		14.45	3.05 - 6.05	4.75 - 6.45	4.05 - 6.05	3.05 - 6.05	4.75 - 6.45
49		15.20	3.80 - 6.80	5.50 - 7.20	4.80 - 6.80	3.80 - 6.80	5.50 - 7.20
25		15.70	4.30 - 7.30	6.00 - 7.70	5.30 - 7.30	4.30 - 7.30	6.00 - 7.70
66		16.40	5.00 - 8.00	6.70 - 8.40	6.00 - 8.00	5.00 - 8.00	6.70 - 8.40
10		17.10	5.70 - 8.70	7.40 - 9.10	6.70 - 8.70	5.70 - 8.70	7.40 - 9.10
03*	6.50	4.30	1.60 MIN	1.60 MIN	1.60 MIN	1.60 MIN	1.60 MIN
45		12.20	2.95 - 3.80	2.95 - 4.20	2.95 - 3.80	2.95 - 3.80	2.95 - 4.20
32		12.95	2.95 - 4.55	3.25 - 4.95	2.95 - 4.55	2.95 - 4.55	3.25 - 4.95
07		13.70	2.95 - 5.30	4.00 - 5.70	3.30 - 5.30	2.95 - 5.30	4.00 - 5.70
37		14.45	3.05 - 6.05	4.75 - 6.45	4.05 - 6.05	3.05 - 6.05	4.75 - 6.45
50		15.20	3.80 - 6.80	5.50 - 7.20	4.80 - 6.80	3.80 - 6.80	5.50 - 7.20
41		15.70	4.30 - 7.30	6.00 - 7.70	5.30 - 7.30	4.30 - 7.30	6.00 - 7.70
24		16.40	5.00 - 8.00	6.70 - 8.40	6.00 - 8.00	5.00 - 8.00	6.70 - 8.40
11		17.10	5.70 - 8.70	7.40 - 9.10	6.70 - 8.70	5.70 - 8.70	7.40 - 9.10



This document is the property of and embodies CONFIDENTIAL and PROPRIETARY information of FCI. No part of the information shown on this document may be used in any way or disclosed to others without the written consent of FCI. Copyright FCI.

* STUB PINS - NO REAR PLUG-UP
 ** THE GREATEST RANGE OCCURS WHEN THE B DIMENSION OF PIN 'GND' IS ONE SIZE SHORTER THEN THE OTHER PINS.

mat'l code SEE NOTE 5				tolerances unless otherwise specified		CUSTOMER		www.fciconnect.com	
ltr	ecn no.	dr	date	linear	0.X ±0.3		COPY		projection
AW					0.XX ±0.13		title		
					.XXX ±.051		VERTICAL SIGNAL HDR 5 ROW		
				angles	0° ±2°				product family METRAL 1000 code size dwg no 213 74817 sheet 3
					dr	K. BELL	2000-03-29	scale 2:1 A	
				engr	M. HAHN	2000-03-29			
				chr	M. HAHN	2000-03-29			
				appd	M. HAHN	2000-03-29			
sheet index	revision sheet								

PIN CODE NO.	DIM A MATING LENGTH	DIM B TAIL LENGTH	PCB THICKNESS RANGE ACCOMMODATED BY PIN LENGTH				
			WHEN MATING TO A 73981 OR 84688 SERIES RECEPTACLE		WHEN MATING TO A 52057 SERIES METRAL 4000 RECEPTACLE		
			ROWS A,B,C,D,E	GROUND ROW	ROWS:A,B,D,E	ROW C	GROUND ROW
04*	7.25	4.30	1.60 MIN	1.60 MIN	1.60 MIN	1.60 MIN	1.60 MIN
46		12.20	2.95 - 3.80	2.95 - 4.20	2.95 - 3.80	2.95 - 3.80	2.95 - 4.20
33		12.95	2.95 - 4.55	3.25 - 4.95	2.95 - 4.55	2.95 - 4.55	3.25 - 4.95
08		13.70	2.95 - 5.30	4.00 - 5.70	3.30 - 5.30	2.95 - 5.30	4.00 - 5.70
38		14.45	3.05 - 6.05	4.75 - 6.45	4.05 - 6.05	3.05 - 6.05	4.75 - 6.45
51		15.20	3.80 - 6.80	5.50 - 7.20	4.80 - 6.80	3.80 - 6.80	5.50 - 7.20
42		15.70	4.30 - 7.30	6.00 - 7.70	5.30 - 7.30	4.30 - 7.30	6.00 - 7.70
67		16.40	5.00 - 8.00	6.70 - 8.40	6.00 - 8.00	5.00 - 8.00	6.70 - 8.40
12		17.10	5.70 - 8.70	7.40 - 9.10	6.70 - 8.70	5.70 - 8.70	7.40 - 9.10
19*	8.00	4.30	1.60 MIN	1.60 MIN	1.60 MIN	1.60 MIN	1.60 MIN
47		12.20	2.95 - 3.80	2.95 - 4.20	2.95 - 3.80	2.95 - 3.80	2.95 - 4.20
34		12.95	2.95 - 4.55	3.25 - 4.95	2.95 - 4.55	2.95 - 4.55	3.25 - 4.95
20		13.70	2.95 - 5.30	4.00 - 5.70	3.30 - 5.30	2.95 - 5.30	4.00 - 5.70
39		14.45	3.05 - 6.05	4.75 - 6.45	4.05 - 6.05	3.05 - 6.05	4.75 - 6.45
52		15.20	3.80 - 6.80	5.50 - 7.20	4.80 - 6.80	3.80 - 6.80	5.50 - 7.20
43		15.70	4.30 - 7.30	6.00 - 7.70	5.30 - 7.30	4.30 - 7.30	6.00 - 7.70
68		16.40	5.00 - 8.00	6.70 - 8.40	6.00 - 8.00	5.00 - 8.00	6.70 - 8.40
21		17.10	5.70 - 8.70	7.40 - 9.10	6.70 - 8.70	5.70 - 8.70	7.40 - 9.10

A

A



This document is the property of and embodies CONFIDENTIAL and PROPRIETARY information of FCI. No part of the information shown on this document may be used in any way or disclosed to others without the written consent of FCI. Copyright FCI.

B

* STUB PINS - NO REAR PLUG-UP
 ** THE GREATEST RANGE OCCURS WHEN THE B DIMENSION OF PIN 'GND' IS ONE SIZE SHORTER THEN THE OTHER PINS.

mat'l code		SEE NOTE 5		tolerances unless otherwise specified		CUSTOMER		www.fciconnect.com	
ltr	ecr no.	dr	date	linear	0.X ±0.3		COPY		title VERTICAL SIGNAL HDR 5 ROW P.F. 30 POS. SELECT LOAD STD.
AW					0.XX ±0.13		projection		
					.XXX ±.051				
				angles	0° ±2°				product family METRAL 1000 code size dwg no 213 A 74817 sheet 4
				dr	K. BELL	2000-03-29	scale		
				enrg	M. HAHN	2000-03-29	1:1		
				chr	M. HAHN	2000-03-29			cage code 22526 4
				appd	M. HAHN	2000-03-29			
sheet index	revision sheet								

B



This document is the property of and embodies CONFIDENTIAL and PROPRIETARY information of FCI. No part of the information shown on this document may be used in any way or disclosed to others without the written consent of FCI. Copyright FCI.

<table border="1"> <thead> <tr> <th>METRAL P/N</th> <th>ROW</th> <th colspan="6">CONTACT CODE</th> </tr> </thead> <tbody> <tr> <td rowspan="6">74817-X016 SEE NOTE 15 LEAD FREE OPTION</td> <td>E</td> <td>02</td><td>02</td><td>02</td><td>02</td><td>02</td><td>02</td> </tr> <tr> <td>D</td> <td>02</td><td>02</td><td>02</td><td>02</td><td>02</td><td>02</td> </tr> <tr> <td>C</td> <td>04</td><td>04</td><td>04</td><td>04</td><td>04</td><td>04</td> </tr> <tr> <td>B</td> <td>01</td><td>02</td><td>02</td><td>02</td><td>02</td><td>01</td> </tr> <tr> <td>A</td> <td>02</td><td>02</td><td>02</td><td>02</td><td>02</td><td>02</td> </tr> <tr> <td>GND</td> <td>02</td><td>02</td><td>02</td><td>02</td><td>02</td><td>02</td> </tr> </tbody> </table> <table border="1"> <thead> <tr> <th>METRAL P/N</th> <th>ROW</th> <th colspan="6">CONTACT CODE</th> </tr> </thead> <tbody> <tr> <td rowspan="6">74817-X017 SEE NOTE 15 LEAD FREE OPTION</td> <td>E</td> <td>01</td><td>01</td><td>01</td><td>01</td><td>01</td><td>01</td> </tr> <tr> <td>D</td> <td>01</td><td>01</td><td>01</td><td>01</td><td>01</td><td>01</td> </tr> <tr> <td>C</td> <td>03</td><td>03</td><td>03</td><td>03</td><td>03</td><td>03</td> </tr> <tr> <td>B</td> <td>01</td><td>01</td><td>01</td><td>01</td><td>01</td><td>01</td> </tr> <tr> <td>A</td> <td>01</td><td>01</td><td>01</td><td>01</td><td>01</td><td>01</td> </tr> <tr> <td>GND</td> <td>01</td><td>01</td><td>01</td><td>01</td><td>01</td><td>01</td> </tr> </tbody> </table> <table border="1"> <thead> <tr> <th>METRAL P/N</th> <th>ROW</th> <th colspan="6">CONTACT CODE</th> </tr> </thead> <tbody> <tr> <td rowspan="6">74817-X018 SEE NOTE 15 LEAD FREE OPTION</td> <td>E</td> <td>03</td><td>02</td><td>02</td><td>01</td><td>01</td><td>01</td> </tr> <tr> <td>D</td> <td>03</td><td>02</td><td>02</td><td>01</td><td>01</td><td>01</td> </tr> <tr> <td>C</td> <td>03</td><td>02</td><td>02</td><td>03</td><td>03</td><td>03</td> </tr> <tr> <td>B</td> <td>03</td><td>02</td><td>02</td><td>01</td><td>01</td><td>01</td> </tr> <tr> <td>A</td> <td>03</td><td>02</td><td>02</td><td>01</td><td>01</td><td>01</td> </tr> <tr> <td>GND</td> <td>01</td><td>01</td><td>01</td><td>01</td><td>01</td><td>01</td> </tr> </tbody> </table> <table border="1"> <thead> <tr> <th>METRAL P/N</th> <th>ROW</th> <th colspan="6">CONTACT CODE</th> </tr> </thead> <tbody> <tr> <td rowspan="6">74817-X019 SEE NOTE 15 LEAD FREE OPTION</td> <td>E</td> <td>01</td><td>01</td><td>01</td><td>02</td><td>02</td><td>03</td> </tr> <tr> <td>D</td> <td>01</td><td>01</td><td>01</td><td>02</td><td>02</td><td>03</td> </tr> <tr> <td>C</td> <td>03</td><td>03</td><td>03</td><td>02</td><td>02</td><td>03</td> </tr> <tr> <td>B</td> <td>01</td><td>01</td><td>01</td><td>02</td><td>02</td><td>03</td> </tr> <tr> <td>A</td> <td>01</td><td>01</td><td>01</td><td>02</td><td>02</td><td>03</td> </tr> <tr> <td>GND</td> <td>01</td><td>01</td><td>01</td><td>01</td><td>01</td><td>01</td> </tr> </tbody> </table> <table border="1"> <thead> <tr> <th>METRAL P/N</th> <th>ROW</th> <th colspan="6">CONTACT CODE</th> </tr> </thead> <tbody> <tr> <td rowspan="6">74817-X023 ** SEE NOTE 15 LEAD FREE OPTION</td> <td>E</td> <td>01</td><td>03</td><td>03</td><td>03</td><td>01</td><td>01</td> </tr> <tr> <td>D</td> <td>01</td><td>03</td><td>03</td><td>03</td><td>01</td><td>19</td> </tr> <tr> <td>C</td> <td>01</td><td>01</td><td>01</td><td>01</td><td>01</td><td>19</td> </tr> <tr> <td>B</td> <td>01</td><td>01</td><td>01</td><td>01</td><td>01</td><td>19</td> </tr> <tr> <td>A</td> <td>01</td><td>01</td><td>01</td><td>19</td><td>19</td><td>19</td> </tr> <tr> <td>GND</td> <td>01</td><td>01</td><td>01</td><td>01</td><td>01</td><td>01</td> </tr> </tbody> </table>	METRAL P/N	ROW	CONTACT CODE						74817-X016 SEE NOTE 15 LEAD FREE OPTION	E	02	02	02	02	02	02	D	02	02	02	02	02	02	C	04	04	04	04	04	04	B	01	02	02	02	02	01	A	02	02	02	02	02	02	GND	02	02	02	02	02	02	METRAL P/N	ROW	CONTACT CODE						74817-X017 SEE NOTE 15 LEAD FREE OPTION	E	01	01	01	01	01	01	D	01	01	01	01	01	01	C	03	03	03	03	03	03	B	01	01	01	01	01	01	A	01	01	01	01	01	01	GND	01	01	01	01	01	01	METRAL P/N	ROW	CONTACT CODE						74817-X018 SEE NOTE 15 LEAD FREE OPTION	E	03	02	02	01	01	01	D	03	02	02	01	01	01	C	03	02	02	03	03	03	B	03	02	02	01	01	01	A	03	02	02	01	01	01	GND	01	01	01	01	01	01	METRAL P/N	ROW	CONTACT CODE						74817-X019 SEE NOTE 15 LEAD FREE OPTION	E	01	01	01	02	02	03	D	01	01	01	02	02	03	C	03	03	03	02	02	03	B	01	01	01	02	02	03	A	01	01	01	02	02	03	GND	01	01	01	01	01	01	METRAL P/N	ROW	CONTACT CODE						74817-X023 ** SEE NOTE 15 LEAD FREE OPTION	E	01	03	03	03	01	01	D	01	03	03	03	01	19	C	01	01	01	01	01	19	B	01	01	01	01	01	19	A	01	01	01	19	19	19	GND	01	01	01	01	01	01	<table border="1"> <thead> <tr> <th>METRAL P/N</th> <th>ROW</th> <th colspan="6">CONTACT CODE</th> </tr> </thead> <tbody> <tr> <td rowspan="6">74817-X024 *RPU SEE NOTE 15 LEAD FREE OPTION</td> <td>E</td> <td>05</td><td>05</td><td>05</td><td>05</td><td>05</td><td>05</td> </tr> <tr> <td>D</td> <td>05</td><td>05</td><td>05</td><td>05</td><td>05</td><td>05</td> </tr> <tr> <td>C</td> <td>05</td><td>05</td><td>05</td><td>05</td><td>05</td><td>05</td> </tr> <tr> <td>B</td> <td>05</td><td>05</td><td>05</td><td>05</td><td>05</td><td>05</td> </tr> <tr> <td>A</td> <td>05</td><td>05</td><td>05</td><td>05</td><td>05</td><td>05</td> </tr> <tr> <td>GND</td> <td>01</td><td>01</td><td>01</td><td>01</td><td>01</td><td>01</td> </tr> </tbody> </table> <table border="1"> <thead> <tr> <th>METRAL P/N</th> <th>ROW</th> <th colspan="6">CONTACT CODE</th> </tr> </thead> <tbody> <tr> <td rowspan="6">74817-X025 ** SEE NOTE 15 LEAD FREE OPTION</td> <td>E</td> <td>01</td><td>19</td><td>01</td><td>01</td><td>01</td><td>01</td> </tr> <tr> <td>D</td> <td>01</td><td>19</td><td>01</td><td>01</td><td>01</td><td>01</td> </tr> <tr> <td>C</td> <td>01</td><td>19</td><td>01</td><td>01</td><td>01</td><td>01</td> </tr> <tr> <td>B</td> <td>01</td><td>19</td><td>01</td><td>01</td><td>01</td><td>01</td> </tr> <tr> <td>A</td> <td>01</td><td>19</td><td>01</td><td>01</td><td>01</td><td>01</td> </tr> <tr> <td>GND</td> <td>01</td><td>01</td><td>01</td><td>01</td><td>01</td><td>01</td> </tr> </tbody> </table> <table border="1"> <thead> <tr> <th>METRAL P/N</th> <th>ROW</th> <th colspan="6">CONTACT CODE</th> </tr> </thead> <tbody> <tr> <td rowspan="6">74817-X026 *RPU SEE NOTE 15 LEAD FREE OPTION</td> <td>E</td> <td>02</td><td>02</td><td>49</td><td>49</td><td>49</td><td>49</td> </tr> <tr> <td>D</td> <td>02</td><td>02</td><td>49</td><td>49</td><td>49</td><td>49</td> </tr> <tr> <td>C</td> <td>02</td><td>02</td><td>49</td><td>49</td><td>49</td><td>49</td> </tr> <tr> <td>B</td> <td>02</td><td>02</td><td>49</td><td>49</td><td>49</td><td>49</td> </tr> <tr> <td>A</td> <td>02</td><td>02</td><td>49</td><td>49</td><td>49</td><td>49</td> </tr> <tr> <td>GND</td> <td>01</td><td>01</td><td>01</td><td>01</td><td>01</td><td>01</td> </tr> </tbody> </table> <table border="1"> <thead> <tr> <th>METRAL P/N</th> <th>ROW</th> <th colspan="6">CONTACT CODE</th> </tr> </thead> <tbody> <tr> <td rowspan="6">74817-X027 *RPU SEE NOTE 15 LEAD FREE OPTION</td> <td>E</td> <td>49</td><td>49</td><td>49</td><td>49</td><td>02</td><td>02</td> </tr> <tr> <td>D</td> <td>49</td><td>49</td><td>49</td><td>49</td><td>02</td><td>02</td> </tr> <tr> <td>C</td> <td>49</td><td>49</td><td>49</td><td>49</td><td>02</td><td>02</td> </tr> <tr> <td>B</td> <td>49</td><td>49</td><td>49</td><td>49</td><td>02</td><td>02</td> </tr> <tr> <td>A</td> <td>49</td><td>49</td><td>49</td><td>49</td><td>02</td><td>02</td> </tr> <tr> <td>GND</td> <td>01</td><td>01</td><td>01</td><td>01</td><td>01</td><td>01</td> </tr> </tbody> </table> <table border="1"> <thead> <tr> <th>METRAL P/N</th> <th>ROW</th> <th colspan="6">CONTACT CODE</th> </tr> </thead> <tbody> <tr> <td rowspan="6">74817-X028 *RPU SEE NOTE 15 LEAD FREE OPTION</td> <td>E</td> <td>49</td><td>49</td><td>49</td><td>49</td><td>49</td><td>49</td> </tr> <tr> <td>D</td> <td>49</td><td>49</td><td>49</td><td>49</td><td>49</td><td>49</td> </tr> <tr> <td>C</td> <td>49</td><td>49</td><td>49</td><td>49</td><td>49</td><td>49</td> </tr> <tr> <td>B</td> <td>49</td><td>49</td><td>49</td><td>49</td><td>49</td><td>49</td> </tr> <tr> <td>A</td> <td>49</td><td>49</td><td>49</td><td>49</td><td>49</td><td>49</td> </tr> <tr> <td>GND</td> <td>01</td><td>01</td><td>01</td><td>01</td><td>01</td><td>01</td> </tr> </tbody> </table>	METRAL P/N	ROW	CONTACT CODE						74817-X024 *RPU SEE NOTE 15 LEAD FREE OPTION	E	05	05	05	05	05	05	D	05	05	05	05	05	05	C	05	05	05	05	05	05	B	05	05	05	05	05	05	A	05	05	05	05	05	05	GND	01	01	01	01	01	01	METRAL P/N	ROW	CONTACT CODE						74817-X025 ** SEE NOTE 15 LEAD FREE OPTION	E	01	19	01	01	01	01	D	01	19	01	01	01	01	C	01	19	01	01	01	01	B	01	19	01	01	01	01	A	01	19	01	01	01	01	GND	01	01	01	01	01	01	METRAL P/N	ROW	CONTACT CODE						74817-X026 *RPU SEE NOTE 15 LEAD FREE OPTION	E	02	02	49	49	49	49	D	02	02	49	49	49	49	C	02	02	49	49	49	49	B	02	02	49	49	49	49	A	02	02	49	49	49	49	GND	01	01	01	01	01	01	METRAL P/N	ROW	CONTACT CODE						74817-X027 *RPU SEE NOTE 15 LEAD FREE OPTION	E	49	49	49	49	02	02	D	49	49	49	49	02	02	C	49	49	49	49	02	02	B	49	49	49	49	02	02	A	49	49	49	49	02	02	GND	01	01	01	01	01	01	METRAL P/N	ROW	CONTACT CODE						74817-X028 *RPU SEE NOTE 15 LEAD FREE OPTION	E	49	49	49	49	49	49	D	49	49	49	49	49	49	C	49	49	49	49	49	49	B	49	49	49	49	49	49	A	49	49	49	49	49	49	GND	01	01	01	01	01	01	<table border="1"> <thead> <tr> <th>METRAL P/N</th> <th>ROW</th> <th colspan="6">CONTACT CODE</th> </tr> </thead> <tbody> <tr> <td rowspan="6">74817-X029 SEE NOTE 15 LEAD FREE OPTION</td> <td>E</td> <td>01</td><td>01</td><td>01</td><td>01</td><td>01</td><td>01</td> </tr> <tr> <td>D</td> <td>01</td><td>01</td><td>01</td><td>01</td><td>01</td><td>02</td> </tr> <tr> <td>C</td> <td>01</td><td>01</td><td>01</td><td>01</td><td>01</td><td>01</td> </tr> <tr> <td>B</td> <td>01</td><td>01</td><td>01</td><td>01</td><td>01</td><td>01</td> </tr> <tr> <td>A</td> <td>01</td><td>01</td><td>03</td><td>01</td><td>01</td><td>03</td> </tr> <tr> <td>GND</td> <td>01</td><td>01</td><td>01</td><td>01</td><td>01</td><td>01</td> </tr> </tbody> </table> <table border="1"> <thead> <tr> <th>METRAL P/N</th> <th>ROW</th> <th colspan="6">CONTACT CODE</th> </tr> </thead> <tbody> <tr> <td rowspan="6">74817-X030 SEE NOTE 15 LEAD FREE OPTION</td> <td>E</td> <td>02</td><td>02</td><td>02</td><td>02</td><td>02</td><td>02</td> </tr> <tr> <td>D</td> <td>02</td><td>02</td><td>02</td><td>02</td><td>02</td><td>02</td> </tr> <tr> <td>C</td> <td>19</td><td>19</td><td>19</td><td>19</td><td>19</td><td>19</td> </tr> <tr> <td>B</td> <td>02</td><td>02</td><td>02</td><td>02</td><td>02</td><td>02</td> </tr> <tr> <td>A</td> <td>03</td><td>02</td><td>03</td><td>02</td><td>02</td><td>01</td> </tr> <tr> <td>GND</td> <td>01</td><td>01</td><td>01</td><td>01</td><td>01</td><td>01</td> </tr> </tbody> </table> <table border="1"> <thead> <tr> <th>METRAL P/N</th> <th>ROW</th> <th colspan="6">CONTACT CODE</th> </tr> </thead> <tbody> <tr> <td rowspan="6">74817-X031 SEE NOTE 15 LEAD FREE OPTION</td> <td>E</td> <td>02</td><td>02</td><td>02</td><td>02</td><td>02</td><td>02</td> </tr> <tr> <td>D</td> <td>02</td><td>02</td><td>02</td><td>02</td><td>02</td><td>02</td> </tr> <tr> <td>C</td> <td>19</td><td>19</td><td>19</td><td>19</td><td>19</td><td>19</td> </tr> <tr> <td>B</td> <td>02</td><td>02</td><td>02</td><td>02</td><td>02</td><td>02</td> </tr> <tr> <td>A</td> <td>01</td><td>03</td><td>02</td><td>03</td><td>02</td><td>02</td> </tr> <tr> <td>GND</td> <td>01</td><td>01</td><td>01</td><td>01</td><td>01</td><td>01</td> </tr> </tbody> </table> <table border="1"> <thead> <tr> <th>METRAL P/N</th> <th>ROW</th> <th colspan="6">CONTACT CODE</th> </tr> </thead> <tbody> <tr> <td rowspan="6">74817-X032 SEE NOTE 15 LEAD FREE OPTION</td> <td>E</td> <td>02</td><td>02</td><td>02</td><td>02</td><td>02</td><td>02</td> </tr> <tr> <td>D</td> <td>02</td><td>02</td><td>02</td><td>02</td><td>02</td><td>02</td> </tr> <tr> <td>C</td> <td>19</td><td>19</td><td>19</td><td>19</td><td>19</td><td>19</td> </tr> <tr> <td>B</td> <td>02</td><td>02</td><td>02</td><td>02</td><td>02</td><td>02</td> </tr> <tr> <td>A</td> <td>02</td><td>02</td><td>02</td><td>02</td><td>02</td><td>01</td> </tr> <tr> <td>GND</td> <td>01</td><td>01</td><td>01</td><td>01</td><td>01</td><td>01</td> </tr> </tbody> </table> <table border="1"> <thead> <tr> <th>METRAL P/N</th> <th>ROW</th> <th colspan="6">CONTACT CODE</th> </tr> </thead> <tbody> <tr> <td rowspan="6">74817-X033 SEE NOTE 15 LEAD FREE OPTION</td> <td>E</td> <td>02</td><td>02</td><td>02</td><td>02</td><td>02</td><td>02</td> </tr> <tr> <td>D</td> <td>02</td><td>02</td><td>02</td><td>02</td><td>02</td><td>02</td> </tr> <tr> <td>C</td> <td>19</td><td>19</td><td>19</td><td>19</td><td>19</td><td>19</td> </tr> <tr> <td>B</td> <td>02</td><td>02</td><td>02</td><td>02</td><td>02</td><td>02</td> </tr> <tr> <td>A</td> <td>01</td><td>02</td><td>02</td><td>02</td><td>02</td><td>03</td> </tr> <tr> <td>GND</td> <td>01</td><td>01</td><td>01</td><td>01</td><td>01</td><td>01</td> </tr> </tbody> </table>	METRAL P/N	ROW	CONTACT CODE						74817-X029 SEE NOTE 15 LEAD FREE OPTION	E	01	01	01	01	01	01	D	01	01	01	01	01	02	C	01	01	01	01	01	01	B	01	01	01	01	01	01	A	01	01	03	01	01	03	GND	01	01	01	01	01	01	METRAL P/N	ROW	CONTACT CODE						74817-X030 SEE NOTE 15 LEAD FREE OPTION	E	02	02	02	02	02	02	D	02	02	02	02	02	02	C	19	19	19	19	19	19	B	02	02	02	02	02	02	A	03	02	03	02	02	01	GND	01	01	01	01	01	01	METRAL P/N	ROW	CONTACT CODE						74817-X031 SEE NOTE 15 LEAD FREE OPTION	E	02	02	02	02	02	02	D	02	02	02	02	02	02	C	19	19	19	19	19	19	B	02	02	02	02	02	02	A	01	03	02	03	02	02	GND	01	01	01	01	01	01	METRAL P/N	ROW	CONTACT CODE						74817-X032 SEE NOTE 15 LEAD FREE OPTION	E	02	02	02	02	02	02	D	02	02	02	02	02	02	C	19	19	19	19	19	19	B	02	02	02	02	02	02	A	02	02	02	02	02	01	GND	01	01	01	01	01	01	METRAL P/N	ROW	CONTACT CODE						74817-X033 SEE NOTE 15 LEAD FREE OPTION	E	02	02	02	02	02	02	D	02	02	02	02	02	02	C	19	19	19	19	19	19	B	02	02	02	02	02	02	A	01	02	02	02	02	03	GND	01	01	01	01	01	01
METRAL P/N	ROW	CONTACT CODE																																																																																																																																																																																																																																																																																																																																																																																																																																																																																																																																																																																																																																																																																																																																																																																													
74817-X016 SEE NOTE 15 LEAD FREE OPTION	E	02	02	02	02	02	02																																																																																																																																																																																																																																																																																																																																																																																																																																																																																																																																																																																																																																																																																																																																																																																								
	D	02	02	02	02	02	02																																																																																																																																																																																																																																																																																																																																																																																																																																																																																																																																																																																																																																																																																																																																																																																								
	C	04	04	04	04	04	04																																																																																																																																																																																																																																																																																																																																																																																																																																																																																																																																																																																																																																																																																																																																																																																								
	B	01	02	02	02	02	01																																																																																																																																																																																																																																																																																																																																																																																																																																																																																																																																																																																																																																																																																																																																																																																								
	A	02	02	02	02	02	02																																																																																																																																																																																																																																																																																																																																																																																																																																																																																																																																																																																																																																																																																																																																																																																								
	GND	02	02	02	02	02	02																																																																																																																																																																																																																																																																																																																																																																																																																																																																																																																																																																																																																																																																																																																																																																																								
METRAL P/N	ROW	CONTACT CODE																																																																																																																																																																																																																																																																																																																																																																																																																																																																																																																																																																																																																																																																																																																																																																																													
74817-X017 SEE NOTE 15 LEAD FREE OPTION	E	01	01	01	01	01	01																																																																																																																																																																																																																																																																																																																																																																																																																																																																																																																																																																																																																																																																																																																																																																																								
	D	01	01	01	01	01	01																																																																																																																																																																																																																																																																																																																																																																																																																																																																																																																																																																																																																																																																																																																																																																																								
	C	03	03	03	03	03	03																																																																																																																																																																																																																																																																																																																																																																																																																																																																																																																																																																																																																																																																																																																																																																																								
	B	01	01	01	01	01	01																																																																																																																																																																																																																																																																																																																																																																																																																																																																																																																																																																																																																																																																																																																																																																																								
	A	01	01	01	01	01	01																																																																																																																																																																																																																																																																																																																																																																																																																																																																																																																																																																																																																																																																																																																																																																																								
	GND	01	01	01	01	01	01																																																																																																																																																																																																																																																																																																																																																																																																																																																																																																																																																																																																																																																																																																																																																																																								
METRAL P/N	ROW	CONTACT CODE																																																																																																																																																																																																																																																																																																																																																																																																																																																																																																																																																																																																																																																																																																																																																																																													
74817-X018 SEE NOTE 15 LEAD FREE OPTION	E	03	02	02	01	01	01																																																																																																																																																																																																																																																																																																																																																																																																																																																																																																																																																																																																																																																																																																																																																																																								
	D	03	02	02	01	01	01																																																																																																																																																																																																																																																																																																																																																																																																																																																																																																																																																																																																																																																																																																																																																																																								
	C	03	02	02	03	03	03																																																																																																																																																																																																																																																																																																																																																																																																																																																																																																																																																																																																																																																																																																																																																																																								
	B	03	02	02	01	01	01																																																																																																																																																																																																																																																																																																																																																																																																																																																																																																																																																																																																																																																																																																																																																																																								
	A	03	02	02	01	01	01																																																																																																																																																																																																																																																																																																																																																																																																																																																																																																																																																																																																																																																																																																																																																																																								
	GND	01	01	01	01	01	01																																																																																																																																																																																																																																																																																																																																																																																																																																																																																																																																																																																																																																																																																																																																																																																								
METRAL P/N	ROW	CONTACT CODE																																																																																																																																																																																																																																																																																																																																																																																																																																																																																																																																																																																																																																																																																																																																																																																													
74817-X019 SEE NOTE 15 LEAD FREE OPTION	E	01	01	01	02	02	03																																																																																																																																																																																																																																																																																																																																																																																																																																																																																																																																																																																																																																																																																																																																																																																								
	D	01	01	01	02	02	03																																																																																																																																																																																																																																																																																																																																																																																																																																																																																																																																																																																																																																																																																																																																																																																								
	C	03	03	03	02	02	03																																																																																																																																																																																																																																																																																																																																																																																																																																																																																																																																																																																																																																																																																																																																																																																								
	B	01	01	01	02	02	03																																																																																																																																																																																																																																																																																																																																																																																																																																																																																																																																																																																																																																																																																																																																																																																								
	A	01	01	01	02	02	03																																																																																																																																																																																																																																																																																																																																																																																																																																																																																																																																																																																																																																																																																																																																																																																								
	GND	01	01	01	01	01	01																																																																																																																																																																																																																																																																																																																																																																																																																																																																																																																																																																																																																																																																																																																																																																																								
METRAL P/N	ROW	CONTACT CODE																																																																																																																																																																																																																																																																																																																																																																																																																																																																																																																																																																																																																																																																																																																																																																																													
74817-X023 ** SEE NOTE 15 LEAD FREE OPTION	E	01	03	03	03	01	01																																																																																																																																																																																																																																																																																																																																																																																																																																																																																																																																																																																																																																																																																																																																																																																								
	D	01	03	03	03	01	19																																																																																																																																																																																																																																																																																																																																																																																																																																																																																																																																																																																																																																																																																																																																																																																								
	C	01	01	01	01	01	19																																																																																																																																																																																																																																																																																																																																																																																																																																																																																																																																																																																																																																																																																																																																																																																								
	B	01	01	01	01	01	19																																																																																																																																																																																																																																																																																																																																																																																																																																																																																																																																																																																																																																																																																																																																																																																								
	A	01	01	01	19	19	19																																																																																																																																																																																																																																																																																																																																																																																																																																																																																																																																																																																																																																																																																																																																																																																								
	GND	01	01	01	01	01	01																																																																																																																																																																																																																																																																																																																																																																																																																																																																																																																																																																																																																																																																																																																																																																																								
METRAL P/N	ROW	CONTACT CODE																																																																																																																																																																																																																																																																																																																																																																																																																																																																																																																																																																																																																																																																																																																																																																																													
74817-X024 *RPU SEE NOTE 15 LEAD FREE OPTION	E	05	05	05	05	05	05																																																																																																																																																																																																																																																																																																																																																																																																																																																																																																																																																																																																																																																																																																																																																																																								
	D	05	05	05	05	05	05																																																																																																																																																																																																																																																																																																																																																																																																																																																																																																																																																																																																																																																																																																																																																																																								
	C	05	05	05	05	05	05																																																																																																																																																																																																																																																																																																																																																																																																																																																																																																																																																																																																																																																																																																																																																																																								
	B	05	05	05	05	05	05																																																																																																																																																																																																																																																																																																																																																																																																																																																																																																																																																																																																																																																																																																																																																																																								
	A	05	05	05	05	05	05																																																																																																																																																																																																																																																																																																																																																																																																																																																																																																																																																																																																																																																																																																																																																																																								
	GND	01	01	01	01	01	01																																																																																																																																																																																																																																																																																																																																																																																																																																																																																																																																																																																																																																																																																																																																																																																								
METRAL P/N	ROW	CONTACT CODE																																																																																																																																																																																																																																																																																																																																																																																																																																																																																																																																																																																																																																																																																																																																																																																													
74817-X025 ** SEE NOTE 15 LEAD FREE OPTION	E	01	19	01	01	01	01																																																																																																																																																																																																																																																																																																																																																																																																																																																																																																																																																																																																																																																																																																																																																																																								
	D	01	19	01	01	01	01																																																																																																																																																																																																																																																																																																																																																																																																																																																																																																																																																																																																																																																																																																																																																																																								
	C	01	19	01	01	01	01																																																																																																																																																																																																																																																																																																																																																																																																																																																																																																																																																																																																																																																																																																																																																																																								
	B	01	19	01	01	01	01																																																																																																																																																																																																																																																																																																																																																																																																																																																																																																																																																																																																																																																																																																																																																																																								
	A	01	19	01	01	01	01																																																																																																																																																																																																																																																																																																																																																																																																																																																																																																																																																																																																																																																																																																																																																																																								
	GND	01	01	01	01	01	01																																																																																																																																																																																																																																																																																																																																																																																																																																																																																																																																																																																																																																																																																																																																																																																								
METRAL P/N	ROW	CONTACT CODE																																																																																																																																																																																																																																																																																																																																																																																																																																																																																																																																																																																																																																																																																																																																																																																													
74817-X026 *RPU SEE NOTE 15 LEAD FREE OPTION	E	02	02	49	49	49	49																																																																																																																																																																																																																																																																																																																																																																																																																																																																																																																																																																																																																																																																																																																																																																																								
	D	02	02	49	49	49	49																																																																																																																																																																																																																																																																																																																																																																																																																																																																																																																																																																																																																																																																																																																																																																																								
	C	02	02	49	49	49	49																																																																																																																																																																																																																																																																																																																																																																																																																																																																																																																																																																																																																																																																																																																																																																																								
	B	02	02	49	49	49	49																																																																																																																																																																																																																																																																																																																																																																																																																																																																																																																																																																																																																																																																																																																																																																																								
	A	02	02	49	49	49	49																																																																																																																																																																																																																																																																																																																																																																																																																																																																																																																																																																																																																																																																																																																																																																																								
	GND	01	01	01	01	01	01																																																																																																																																																																																																																																																																																																																																																																																																																																																																																																																																																																																																																																																																																																																																																																																								
METRAL P/N	ROW	CONTACT CODE																																																																																																																																																																																																																																																																																																																																																																																																																																																																																																																																																																																																																																																																																																																																																																																													
74817-X027 *RPU SEE NOTE 15 LEAD FREE OPTION	E	49	49	49	49	02	02																																																																																																																																																																																																																																																																																																																																																																																																																																																																																																																																																																																																																																																																																																																																																																																								
	D	49	49	49	49	02	02																																																																																																																																																																																																																																																																																																																																																																																																																																																																																																																																																																																																																																																																																																																																																																																								
	C	49	49	49	49	02	02																																																																																																																																																																																																																																																																																																																																																																																																																																																																																																																																																																																																																																																																																																																																																																																								
	B	49	49	49	49	02	02																																																																																																																																																																																																																																																																																																																																																																																																																																																																																																																																																																																																																																																																																																																																																																																								
	A	49	49	49	49	02	02																																																																																																																																																																																																																																																																																																																																																																																																																																																																																																																																																																																																																																																																																																																																																																																								
	GND	01	01	01	01	01	01																																																																																																																																																																																																																																																																																																																																																																																																																																																																																																																																																																																																																																																																																																																																																																																								
METRAL P/N	ROW	CONTACT CODE																																																																																																																																																																																																																																																																																																																																																																																																																																																																																																																																																																																																																																																																																																																																																																																													
74817-X028 *RPU SEE NOTE 15 LEAD FREE OPTION	E	49	49	49	49	49	49																																																																																																																																																																																																																																																																																																																																																																																																																																																																																																																																																																																																																																																																																																																																																																																								
	D	49	49	49	49	49	49																																																																																																																																																																																																																																																																																																																																																																																																																																																																																																																																																																																																																																																																																																																																																																																								
	C	49	49	49	49	49	49																																																																																																																																																																																																																																																																																																																																																																																																																																																																																																																																																																																																																																																																																																																																																																																								
	B	49	49	49	49	49	49																																																																																																																																																																																																																																																																																																																																																																																																																																																																																																																																																																																																																																																																																																																																																																																								
	A	49	49	49	49	49	49																																																																																																																																																																																																																																																																																																																																																																																																																																																																																																																																																																																																																																																																																																																																																																																								
	GND	01	01	01	01	01	01																																																																																																																																																																																																																																																																																																																																																																																																																																																																																																																																																																																																																																																																																																																																																																																								
METRAL P/N	ROW	CONTACT CODE																																																																																																																																																																																																																																																																																																																																																																																																																																																																																																																																																																																																																																																																																																																																																																																													
74817-X029 SEE NOTE 15 LEAD FREE OPTION	E	01	01	01	01	01	01																																																																																																																																																																																																																																																																																																																																																																																																																																																																																																																																																																																																																																																																																																																																																																																								
	D	01	01	01	01	01	02																																																																																																																																																																																																																																																																																																																																																																																																																																																																																																																																																																																																																																																																																																																																																																																								
	C	01	01	01	01	01	01																																																																																																																																																																																																																																																																																																																																																																																																																																																																																																																																																																																																																																																																																																																																																																																								
	B	01	01	01	01	01	01																																																																																																																																																																																																																																																																																																																																																																																																																																																																																																																																																																																																																																																																																																																																																																																								
	A	01	01	03	01	01	03																																																																																																																																																																																																																																																																																																																																																																																																																																																																																																																																																																																																																																																																																																																																																																																								
	GND	01	01	01	01	01	01																																																																																																																																																																																																																																																																																																																																																																																																																																																																																																																																																																																																																																																																																																																																																																																								
METRAL P/N	ROW	CONTACT CODE																																																																																																																																																																																																																																																																																																																																																																																																																																																																																																																																																																																																																																																																																																																																																																																													
74817-X030 SEE NOTE 15 LEAD FREE OPTION	E	02	02	02	02	02	02																																																																																																																																																																																																																																																																																																																																																																																																																																																																																																																																																																																																																																																																																																																																																																																								
	D	02	02	02	02	02	02																																																																																																																																																																																																																																																																																																																																																																																																																																																																																																																																																																																																																																																																																																																																																																																								
	C	19	19	19	19	19	19																																																																																																																																																																																																																																																																																																																																																																																																																																																																																																																																																																																																																																																																																																																																																																																								
	B	02	02	02	02	02	02																																																																																																																																																																																																																																																																																																																																																																																																																																																																																																																																																																																																																																																																																																																																																																																								
	A	03	02	03	02	02	01																																																																																																																																																																																																																																																																																																																																																																																																																																																																																																																																																																																																																																																																																																																																																																																								
	GND	01	01	01	01	01	01																																																																																																																																																																																																																																																																																																																																																																																																																																																																																																																																																																																																																																																																																																																																																																																								
METRAL P/N	ROW	CONTACT CODE																																																																																																																																																																																																																																																																																																																																																																																																																																																																																																																																																																																																																																																																																																																																																																																													
74817-X031 SEE NOTE 15 LEAD FREE OPTION	E	02	02	02	02	02	02																																																																																																																																																																																																																																																																																																																																																																																																																																																																																																																																																																																																																																																																																																																																																																																								
	D	02	02	02	02	02	02																																																																																																																																																																																																																																																																																																																																																																																																																																																																																																																																																																																																																																																																																																																																																																																								
	C	19	19	19	19	19	19																																																																																																																																																																																																																																																																																																																																																																																																																																																																																																																																																																																																																																																																																																																																																																																								
	B	02	02	02	02	02	02																																																																																																																																																																																																																																																																																																																																																																																																																																																																																																																																																																																																																																																																																																																																																																																								
	A	01	03	02	03	02	02																																																																																																																																																																																																																																																																																																																																																																																																																																																																																																																																																																																																																																																																																																																																																																																								
	GND	01	01	01	01	01	01																																																																																																																																																																																																																																																																																																																																																																																																																																																																																																																																																																																																																																																																																																																																																																																								
METRAL P/N	ROW	CONTACT CODE																																																																																																																																																																																																																																																																																																																																																																																																																																																																																																																																																																																																																																																																																																																																																																																													
74817-X032 SEE NOTE 15 LEAD FREE OPTION	E	02	02	02	02	02	02																																																																																																																																																																																																																																																																																																																																																																																																																																																																																																																																																																																																																																																																																																																																																																																								
	D	02	02	02	02	02	02																																																																																																																																																																																																																																																																																																																																																																																																																																																																																																																																																																																																																																																																																																																																																																																								
	C	19	19	19	19	19	19																																																																																																																																																																																																																																																																																																																																																																																																																																																																																																																																																																																																																																																																																																																																																																																								
	B	02	02	02	02	02	02																																																																																																																																																																																																																																																																																																																																																																																																																																																																																																																																																																																																																																																																																																																																																																																								
	A	02	02	02	02	02	01																																																																																																																																																																																																																																																																																																																																																																																																																																																																																																																																																																																																																																																																																																																																																																																								
	GND	01	01	01	01	01	01																																																																																																																																																																																																																																																																																																																																																																																																																																																																																																																																																																																																																																																																																																																																																																																								
METRAL P/N	ROW	CONTACT CODE																																																																																																																																																																																																																																																																																																																																																																																																																																																																																																																																																																																																																																																																																																																																																																																													
74817-X033 SEE NOTE 15 LEAD FREE OPTION	E	02	02	02	02	02	02																																																																																																																																																																																																																																																																																																																																																																																																																																																																																																																																																																																																																																																																																																																																																																																								
	D	02	02	02	02	02	02																																																																																																																																																																																																																																																																																																																																																																																																																																																																																																																																																																																																																																																																																																																																																																																								
	C	19	19	19	19	19	19																																																																																																																																																																																																																																																																																																																																																																																																																																																																																																																																																																																																																																																																																																																																																																																								
	B	02	02	02	02	02	02																																																																																																																																																																																																																																																																																																																																																																																																																																																																																																																																																																																																																																																																																																																																																																																								
	A	01	02	02	02	02	03																																																																																																																																																																																																																																																																																																																																																																																																																																																																																																																																																																																																																																																																																																																																																																																								
	GND	01	01	01	01	01	01																																																																																																																																																																																																																																																																																																																																																																																																																																																																																																																																																																																																																																																																																																																																																																																								

* REAR PLUG-UP PART NUMBER WITH PIN ALIGNER
 ** CANNOT BE MATED TO A METRAL 4000 RECEPTACLE
 *** REAR PLUG-UP PART NUMBER WITHOUT PIN ALIGNER

mat'l code		SEE NOTE 5		tolerances unless otherwise specified		CUSTOMER		www.fciconnect.com	
ltr	ecn no.	dr	date	linear	0.X ±0.3	COPY			
AW					0.XX ±0.13	projection		title VERTICAL SIGNAL HDR 5 ROW P.F. 30 POS. SELECT LOAD STD.	
				angles	.XXX ±.051				
				dr	0° ±2°				
				enrg	K. BELL 2000-03-29	scale 2:1 A 74817			
				chr	M. HAHN 2000-03-29			sheet 6	
				appd	M. HAHN 2000-03-29	sheet 6			
sheet index	revision sheet							cage code 22526	

METRAL P/N	ROW	CONTACT CODE					
		1	2	3	4	5	6
74817-X049 SEE NOTE 15 LEAD FREE OPTION	E	02	02	02	02	02	02
	D	02	02	02	02	02	02
	C	04	02	02	02	02	02
	B	02	02	02	02	02	02
	A	02	02	02	02	02	02
	GND	02	02	02	02	02	02

METRAL P/N	ROW	CONTACT CODE					
		1	2	3	4	5	6
74817-X054 ***RPU SEE NOTE 15 LEAD FREE OPTION	E	22	22	22	22	22	22
	D	22	22	22	22	22	22
	C	45	45	45	45	45	45
	B	22	22	22	22	22	22
	A	22	22	22	22	22	22
	GND	01	22	22	22	22	01

METRAL P/N	ROW	CONTACT CODE					
		1	2	3	4	5	6
74817-X050 ** SEE NOTE 15 LEAD FREE OPTION	E	02	02	02	02	02	04
	D	02	02	02	02	02	04
	C	02	02	02	02	02	04
	B	02	02	02	02	02	04
	A	02	01	02	02	02	04
	GND	02	02	02	02	02	02

METRAL P/N	ROW	CONTACT CODE					
		1	2	3	4	5	6
74817-X055 ** SEE NOTE 15 LEAD FREE OPTION	E	04	02	02	02	02	02
	D	04	02	02	02	02	02
	C	04	02	02	02	02	02
	B	04	02	02	02	02	02
	A	04	02	02	02	02	02
	GND	-	02	02	02	02	-

METRAL P/N	ROW	CONTACT CODE					
		1	2	3	4	5	6
74817-X051 ** SEE NOTE 15 LEAD FREE OPTION	E	04	02	02	02	02	02
	D	04	02	02	02	02	02
	C	04	02	02	02	02	02
	B	04	02	02	02	02	02
	A	04	01	02	02	02	02
	GND	02	02	02	02	02	02

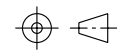

METRAL P/N	ROW	CONTACT CODE					
		1	2	3	4	5	6
74817-X056 SEE NOTE 15 LEAD FREE OPTION	E	02	02	02	02	02	02
	D	02	02	02	02	02	02
	C	04	02	02	02	02	02
	B	02	02	02	02	02	02
	A	02	02	02	02	02	02
	GND	-	02	02	02	02	-

METRAL P/N	ROW	CONTACT CODE					
		1	2	3	4	5	6
74817-X052 ***RPU SEE NOTE 15 LEAD FREE OPTION	E	05	05	05	05	05	05
	D	05	05	05	05	05	05
	C	05	05	05	05	05	05
	B	05	05	05	05	05	05
	A	05	05	05	05	05	05
	GND	01	01	01	01	01	01

METRAL P/N	ROW	CONTACT CODE					
		1	2	3	4	5	6
74817-X057 *RPU SEE NOTE 15 LEAD FREE OPTION	E	22	22	22	01	01	01
	D	22	22	22	01	01	01
	C	22	22	22	01	01	01
	B	22	22	22	01	01	01
	A	22	22	22	01	01	01
	GND	22	22	22	22	22	22

METRAL P/N	ROW	CONTACT CODE					
		1	2	3	4	5	6
74817-X053 ***RPU SEE NOTE 15 LEAD FREE OPTION	E	05	20	05	05	05	05
	D	05	20	05	05	05	05
	C	05	20	05	05	05	05
	B	05	20	05	05	05	05
	A	05	20	05	05	05	05
	GND	01	01	01	01	01	01

* REAR PLUG-UP PART NUMBER WITH PIN ALIGNER
 ** CANNOT BE MATED TO A METRAL 4000 RECEPTACLE
 *** REAR PLUG-UP PART NUMBER WITHOUT PIN ALIGNER

mat'l code SEE NOTE 5				tolerances unless otherwise specified		CUSTOMER	FCJ www.fciconnect.com				
ltr	ecn no.	dr	date	linear	0.X ±0.3	projection	COPY				
AW					0.XX ±0.13		title				
					.XXX ±.051		VERTICAL SIGNAL HDR 5 ROW P.F. 30 POS. SELECT LOAD STD.				
				angles	0° ±2°	  scale 2:1	product family	METRAL 1000	code	213	
				dr	K. BELL 2000-03-29		size	dwg no	74817	sheet	8
				engr	J. VOLSTORF 2001-05-23		A				
				chr	M. HAHN 2000-03-29						
				appd	M. HAHN 2000-03-29						
sheet index	revision sheet										




This document is the property of and embodies CONFIDENTIAL and PROPRIETARY information of FCJ. No part of the information shown on this document may be used in any way or disclosed to others without the written consent of FCJ. Copyright FCJ.

PRODUCT NUMBER
SEE SHEET 1


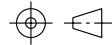

NOTES:

1. SEE APPLICATION SPECIFICATION GS-20-010 FOR INFORMATION ON AVAILABLE TOOLING, CIRCUIT BOARD DESIGN CONSIDERATIONS, REPAIR PROCEDURES AND PRODUCT OFFERINGS.
2. SEE FCI PUBLICATION 950511-028 FOR "ELECTRICAL PERFORMANCE DATA FOR DIFFERENTIAL APPLICATIONS."
3. SEE FCI PUBLICATION 950511-029 FOR "ELECTRICAL PERFORMANCE DATA FOR SINGLE-ENDED APPLICATION."
4. UNLESS OTHERWISE SPECIFIED, ALL DIMENSIONS AND TOLERANCES ARE IN ACCORDANCE WITH ASME Y14.5, 1994
5. HOUSING MATERIAL: LIQUID CRYSTAL POLYMER, 30% GLASS FILLED, FLAME RETARDANT PER UL 94-V0.
PIN MATERIAL: PHOSPHER BRONZE
GROUND SPRING MATERIAL: PHOSPHER BRONZE
6. PLATING INFORMATION: PLATING ON CONTACT AREA MEETS THE PERFORMANCE LEVELS SHOWN IN TABLE ON SHEET 1. PLATING OF "LF" TAILS IS Sn. PLATING ON ALL OTHER TAILS IS SnPb.
7. DIMENSIONAL RESTRICTIONS OF PINS IN HEADERS.
FOR MATING WITH METRAL 1000 RECEPTACLES
DIM A : 5.00mm MIN, 8.00mm MAX FOR ROWS A-E
DIM A : 5.00mm MIN, 5.75mm MAX FOR ROW GND NEXT TO ROW A
DIM C : 5.00mm MIN, 8.00mm MAX FOR ROWS A-E
DIM C : 4.60mm MIN, 6.30mm MAX FOR ROW GND NEXT TO ROW A
FOR MATING WITH METRAL 4000 RECEPTACLES
DIM A : 5.00mm MIN, 6.50mm MAX FOR ROWS A, B, D & E
DIM A : 5.00mm MIN, 8.00mm MAX FOR ROW C
DIM A : 5.00mm MIN, 5.75mm MAX FOR ROW GND NEXT TO ROW A
DIM C : 5.00mm MIN, 7.00mm MAX FOR ROWS A, B, D & E
DIM C : 5.00mm MIN, 8.00mm MAX FOR ROW C
DIM C : 4.60mm MIN, 6.30mm MAX FOR ROW GND NEXT TO ROW A

8. THE MIN PCB THICKNESS FOR REAR PLUG-UP APPLICATIONS IS 2.9mm SINCE THE COMPLAINT SECTIONS OF THE GROUND SPRING OF THE HEADER DIRECTLY OPPOSE THE GROUND SPRING OF THE SHROUD. THE MIN PCB THICKNESS FOR FRONT PLUG-UP ONLY APPLICATIONS IS 1.6mm.
9. THESE HOLES ARE NEEDED FOR REAR PLUG-UP DESIGNS USING A SHROUD AND MAY BE OMITTED FOR FRONT PLUG-UP ONLY DESIGNS.
10. THE 'CONNECTOR OUTLINE' IS THE MIN OUTLINE REQUIRED. TO DETERMINE THE OUTLINE NECESSARY TO PERMIT THE VARIOUS TYPES OF REPAIR OPERATIONS, SEE APPLICATION SPECIFICATION GS-20-010.
11. CURRENT RATING: 1 AMP PER PIN
12. TEMPERATURE RANGE: -55°C TO +105°C
13. P/N 74817-XZZZLF

14. THE PRODUCTS WHERE THE PART NUMBERS ENDS IN LF MEET EUROPEAN UNION DIRECTIVES AND OTHER COUNTRY REGULATIONS AS DESCRIBED IN GS-22-008. ALL PRODUCTS WILL WITHSTAND EXPOSURE TO 260°C FOR 60 SECONDS IN A CONVECTION, INFRA-RED OR VAPOR PHASE REFLOW OVEN.
15. FOR LEAD FREE PART NUMBERS ADD 'LF' SUFFIX. EXAMPLE: 74817-XXXXLF
16. PIN TYPE IS AT THE MANUFACTURERS OPTION AND CAN BE EITHER BABY-H OR EYE OF THE NEEDLE STYLE



This document is the property of and embodies CONFIDENTIAL and PROPRIETARY information of FCI. No part of the information shown on this document may be used in any way or disclosed to others without the written consent of FCI. Copyright FCI.

mat'l code SEE NOTE 5				tolerances unless otherwise specified		CUSTOMER		 www.fciconnect.com	
ltr	ecn no.	dr	date	linear	0.X ±0.3	COPY		title VERTICAL SIGNAL HDR 5 ROW P.F. 30 POS. SELECT LOAD STD.	
AW					0.XX ±0.13	projection			
					.XXX ±.051				
				angles	0° ±2°			product family METRAL 1000 code	
				dr	K. BELL 2000-03-29	scale		size	
				engr	M. HAHN 2000-03-29	1:1		dwg no	
				chr	M. HAHN 2000-03-29	A		74817	
				appd	M. HAHN 2000-03-29			sheet 213	
sheet index		revision sheet						9	

Компания «Океан Электроники» предлагает заключение долгосрочных отношений при поставках импортных электронных компонентов на взаимовыгодных условиях!

Наши преимущества:

- Поставка оригинальных импортных электронных компонентов напрямую с производств Америки, Европы и Азии, а так же с крупнейших складов мира;
- Широкая линейка поставок активных и пассивных импортных электронных компонентов (более 30 млн. наименований);
- Поставка сложных, дефицитных, либо снятых с производства позиций;
- Оперативные сроки поставки под заказ (от 5 рабочих дней);
- Экспресс доставка в любую точку России;
- Помощь Конструкторского Отдела и консультации квалифицированных инженеров;
- Техническая поддержка проекта, помощь в подборе аналогов, поставка прототипов;
- Поставка электронных компонентов под контролем ВП;
- Система менеджмента качества сертифицирована по Международному стандарту ISO 9001;
- При необходимости вся продукция военного и аэрокосмического назначения проходит испытания и сертификацию в лаборатории (по согласованию с заказчиком);
- Поставка специализированных компонентов военного и аэрокосмического уровня качества (Xilinx, Altera, Analog Devices, Intersil, Interpoint, Microsemi, Actel, Aeroflex, Peregrine, VPT, Syfer, Eurofarad, Texas Instruments, MS Kennedy, Miteq, Cobham, E2V, MA-COM, Hittite, Mini-Circuits, General Dynamics и др.);

Компания «Океан Электроники» является официальным дистрибьютором и эксклюзивным представителем в России одного из крупнейших производителей разъемов военного и аэрокосмического назначения «JONHON», а так же официальным дистрибьютором и эксклюзивным представителем в России производителя высокотехнологичных и надежных решений для передачи СВЧ сигналов «FORSTAR».



JONHON

«JONHON» (основан в 1970 г.)

Разъемы специального, военного и аэрокосмического назначения:

(Применяются в военной, авиационной, аэрокосмической, морской, железнодорожной, горно- и нефтедобывающей отраслях промышленности)

«FORSTAR» (основан в 1998 г.)

ВЧ соединители, коаксиальные кабели, кабельные сборки и микроволновые компоненты:

(Применяются в телекоммуникациях гражданского и специального назначения, в средствах связи, РЛС, а так же военной, авиационной и аэрокосмической отраслях промышленности).



Телефон: 8 (812) 309-75-97 (многоканальный)

Факс: 8 (812) 320-03-32

Электронная почта: ocean@oceanchips.ru

Web: <http://oceanchips.ru/>

Адрес: 198099, г. Санкт-Петербург, ул. Калинина, д. 2, корп. 4, лит. А