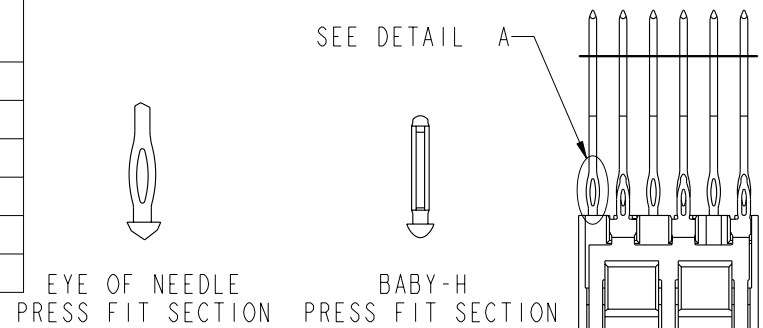
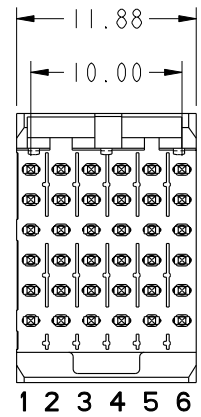
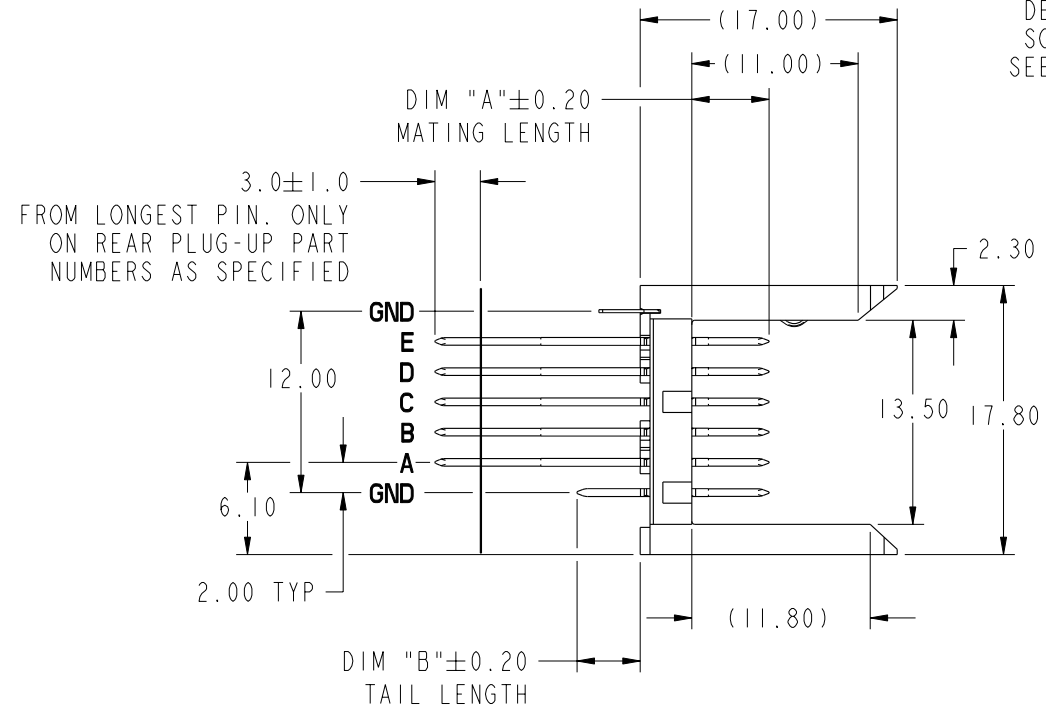


| PRODUCT NUMBER | PLATING PERFORMANCE LEVEL | APPLICATION | FOR REAR PLUG-UP APPLICATIONS USE SHROUD |
|----------------|---------------------------|-------------|--|
| 74817-1ZZZ | TELCORDIA CO | STANDARD | 84818-104 |
| 74817-1ZZZLF | | LEAD FREE | 84818-104LF |
| 74817-5ZZZ | TELCORDIA UE | STANDARD | 84818-504 |
| 74817-5ZZZLF | | LEAD FREE | 84818-504LF |
| 74817-9ZZZ | TELCORDIA CO | STANDARD | 84818-104 |
| 74817-9ZZZLF | | LEAD FREE | 84818-104LF |



DETAIL A
SCALE 4:1
SEE NOTE 16



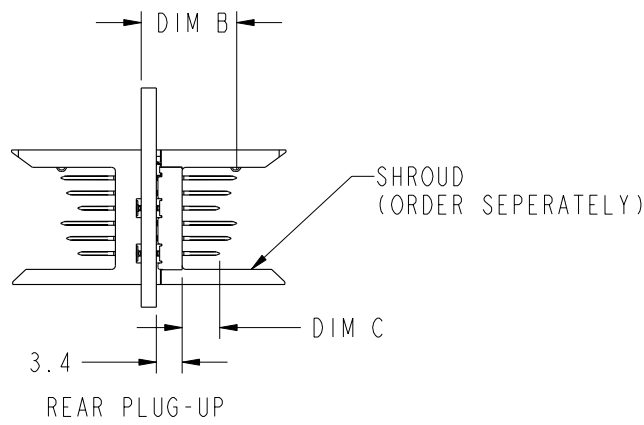
| | | | | | | | | | | | |
|-----------------------|----------------|-----|------------|---------------------------------------|---------|------------|--------|-------------------------------|-------------|---------------------------|--------|
| mat'l code SEE NOTE 5 | | | | tolerances unless otherwise specified | | | | CUSTOMER | | FCJ www.fciconnect.com | |
| ltr | ecn no. | dr | date | 0.X ± 0.3 | | COPY | | title | | | |
| AW | V08-0141 | LP | 2008-03-28 | 0.XX ± 0.13 | | projection | | VERTICAL SIGNAL HDR 5 ROW | | | |
| - | - | - | - | .XXX ± .051 | | MM | | P.F. 30 POS. SELECT LOAD STD. | | | |
| AR | V07-0187 | DCH | 2007-04-24 | 0° ± 2° | | MM | | product family | | code | |
| AS | V07-0676 | HTB | 2007-11-07 | dr | K. BELL | 2000-03-29 | size | | METRAL 1000 | | 213 |
| AT | V07-0697 | LP | 2007-11-29 | engr | M. HAHN | 2000-03-29 | dwg no | | 74817 | | sheet |
| AU | V08-0002 | HTB | 2008-01-09 | chr | M. HAHN | 2000-03-29 | scale | | A | | 1 of 9 |
| AV | V08-0048 | LP | 2008-2-1 | appd | M. HAHN | 2000-03-29 | 2:1 | | | | |
| sheet index | revision sheet | AW | AW | AW | AW | AW | AW | AW | AW | AW | |
| | | 1 | 2 | 3 | 4 | 5 | 6 | 7 | 8 | 9 | |



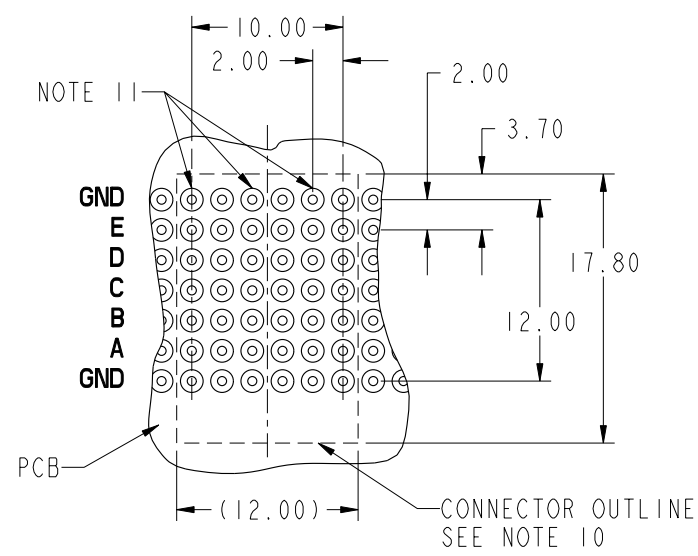
This document is the property of and embodies CONFIDENTIAL and PROPRIETARY information of FCJ. No part of the information shown on this document may be used in any way or disclosed to others without the written consent of FCJ. Copyright FCJ.

PRODUCT NUMBER
SEE SHEET 1

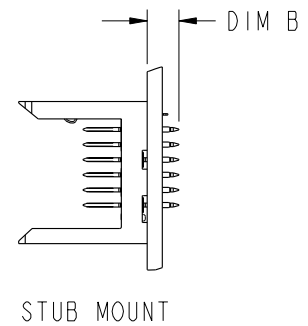
| | |
|-----------------------------|---------------------------|
| PRESS-FIT HOLES | OPTION 1 |
| HOLE DIAMETER AFTER PLATING | 0.65-0.80 |
| DRILLED HOLE | 0.81-0.86 (0.85 DRILL) |
| COPPER PLATING | 0.025 MIN |
| SnPb PLATING | 0.005-0.015 |



SEE PRINT 58351 FOR ADDITIONAL
PCB INFORMATION



RECOMMENDED PCB HOLE PATTERN
(COMPONENT SIDE)



| | | | | | | | | | |
|--------------------------|----------------|----|------|--|--------------------|------------|--|-------------|-------|
| mat'l code SEE NOTE 5 | | | | tolerances unless otherwise specified | | CUSTOMER | FCj www.fciconnect.com | | |
| ltr | ecm no. | dr | date | linear | 0.X ±0.3 | COPY | title | | |
| AW | | | | linear | 0.XX ±0.13 | projection | VERTICAL SIGNAL HDR 5 ROW P.F. 30 POS. SELECT LOAD STD. | | |
| | | | | angles | .XXX ±.051 | | product family | | |
| | | | | dr | 0° ±2° | | MM | METRAL 1000 | code |
| | | | | engr | K. BELL 2000-03-29 | | size | dwg no | 213 |
| | | | | chr | M. HAHN 2000-03-29 | | A | 74817 | sheet |
| | | | | appd | M. HAHN 2000-03-29 | | 2:1 | | 2 |
| | | | | | M. HAHN 2000-03-29 | | | | |
| sheet index | revision sheet | | | | | | cage code | 22526 | 4 |

This document is the property of and embodies
 CONFIDENTIAL and PROPRIETARY information of FCj.
 No part of the information shown on this
 document may be used in any way or disclosed
 to others without the written consent of FCj.
 Copyright FCj.

| PIN CODE NO. | DIM A MATING LENGTH | DIM B TAIL LENGTH | PCB THICKNESS RANGE ACCOMMODATED BY PIN'S TAIL LENGTH | | | | |
|--------------|---------------------|-------------------|---|-------------|--|-------------|-------------|
| | | | WHEN MATING TO A 73981 OR 84688 SERIES METRAL 1000 RECEPTACLE | | WHEN MATING TO A 52057 SERIES METRAL 4000 RECEPTACLE | | |
| | | | ROWS A,B,C,D,E | GROUND ROW | ROWS:A,B,D,E | ROW C | GROUND ROW |
| 01* | 5.00 | 4.30 | 1.60 MIN | 1.60 MIN | 1.60 MIN | 1.60 MIN | 1.60 MIN |
| 22 | | 12.20 | 2.95 - 3.80 | 2.95 - 4.20 | 2.95 - 3.80 | 2.95 - 3.80 | 2.95 - 4.20 |
| 30 | | 12.95 | 2.95 - 4.55 | 3.25 - 4.95 | 2.95 - 4.55 | 2.95 - 4.55 | 3.25 - 4.95 |
| 05 | | 13.70 | 2.95 - 5.30 | 4.00 - 5.70 | 3.30 - 5.30 | 2.95 - 5.30 | 4.00 - 5.70 |
| 35 | | 14.45 | 3.05 - 6.05 | 4.75 - 6.45 | 4.05 - 6.05 | 3.05 - 6.05 | 4.75 - 6.45 |
| 48 | | 15.20 | 3.80 - 6.80 | 5.50 - 7.20 | 4.80 - 6.80 | 3.80 - 6.80 | 5.50 - 7.20 |
| 40 | | 15.70 | 4.30 - 7.30 | 6.00 - 7.70 | 5.30 - 7.30 | 4.30 - 7.30 | 6.00 - 7.70 |
| 65 | | 16.40 | 5.00 - 8.00 | 6.70 - 8.40 | 6.00 - 8.00 | 5.00 - 8.00 | 6.70 - 8.40 |
| 09 | | 17.10 | 5.70 - 8.70 | 7.40 - 9.10 | 6.70 - 8.70 | 5.70 - 8.70 | 7.40 - 9.10 |
| 02* | 5.75 | 4.30 | 1.60 MIN | 1.60 MIN | 1.60 MIN | 1.60 MIN | 1.60 MIN |
| 44 | | 12.20 | 2.95 - 3.80 | 2.95 - 4.20 | 2.95 - 3.80 | 2.95 - 3.80 | 2.95 - 4.20 |
| 31 | | 12.95 | 2.95 - 4.55 | 3.25 - 4.95 | 2.95 - 4.55 | 2.95 - 4.55 | 3.25 - 4.95 |
| 06 | | 13.70 | 2.95 - 5.30 | 4.00 - 5.70 | 3.30 - 5.30 | 2.95 - 5.30 | 4.00 - 5.70 |
| 36 | | 14.45 | 3.05 - 6.05 | 4.75 - 6.45 | 4.05 - 6.05 | 3.05 - 6.05 | 4.75 - 6.45 |
| 49 | | 15.20 | 3.80 - 6.80 | 5.50 - 7.20 | 4.80 - 6.80 | 3.80 - 6.80 | 5.50 - 7.20 |
| 25 | | 15.70 | 4.30 - 7.30 | 6.00 - 7.70 | 5.30 - 7.30 | 4.30 - 7.30 | 6.00 - 7.70 |
| 66 | | 16.40 | 5.00 - 8.00 | 6.70 - 8.40 | 6.00 - 8.00 | 5.00 - 8.00 | 6.70 - 8.40 |
| 10 | | 17.10 | 5.70 - 8.70 | 7.40 - 9.10 | 6.70 - 8.70 | 5.70 - 8.70 | 7.40 - 9.10 |
| 03* | 6.50 | 4.30 | 1.60 MIN | 1.60 MIN | 1.60 MIN | 1.60 MIN | 1.60 MIN |
| 45 | | 12.20 | 2.95 - 3.80 | 2.95 - 4.20 | 2.95 - 3.80 | 2.95 - 3.80 | 2.95 - 4.20 |
| 32 | | 12.95 | 2.95 - 4.55 | 3.25 - 4.95 | 2.95 - 4.55 | 2.95 - 4.55 | 3.25 - 4.95 |
| 07 | | 13.70 | 2.95 - 5.30 | 4.00 - 5.70 | 3.30 - 5.30 | 2.95 - 5.30 | 4.00 - 5.70 |
| 37 | | 14.45 | 3.05 - 6.05 | 4.75 - 6.45 | 4.05 - 6.05 | 3.05 - 6.05 | 4.75 - 6.45 |
| 50 | | 15.20 | 3.80 - 6.80 | 5.50 - 7.20 | 4.80 - 6.80 | 3.80 - 6.80 | 5.50 - 7.20 |
| 41 | | 15.70 | 4.30 - 7.30 | 6.00 - 7.70 | 5.30 - 7.30 | 4.30 - 7.30 | 6.00 - 7.70 |
| 24 | | 16.40 | 5.00 - 8.00 | 6.70 - 8.40 | 6.00 - 8.00 | 5.00 - 8.00 | 6.70 - 8.40 |
| 11 | | 17.10 | 5.70 - 8.70 | 7.40 - 9.10 | 6.70 - 8.70 | 5.70 - 8.70 | 7.40 - 9.10 |



This document is the property of and embodies CONFIDENTIAL and PROPRIETARY information of FCI. No part of the information shown on this document may be used in any way or disclosed to others without the written consent of FCI. Copyright FCI.

* STUB PINS - NO REAR PLUG-UP
 ** THE GREATEST RANGE OCCURS WHEN THE B DIMENSION OF PIN 'GND' IS ONE SIZE SHORTER THEN THE OTHER PINS.

| | | | | | | | | | |
|-----------------------|----------------|----|------|---------------------------------------|------------|------------|----------------|--------------------|--|
| mat'l code SEE NOTE 5 | | | | tolerances unless otherwise specified | | CUSTOMER | | www.fciconnect.com | |
| ltr | ecr no. | dr | date | linear | 0.X ±0.3 | | COPY | | title VERTICAL SIGNAL HDR 5 ROW P.F. 30 POS. SELECT LOAD STD. |
| AW | | | | | 0.XX ±0.13 | | projection | | |
| | | | | | .XXX ±.051 | | | | |
| | | | | angles | 0° ±2° | | | | product family METRAL 1000 code 213 size dwg no 74817 sheet 3 |
| | | | | | dr | K. BELL | 2000-03-29 | MM | |
| | | | | enrg | M. HAHN | 2000-03-29 | scale 2:1 A | | |
| | | | | chr | M. HAHN | 2000-03-29 | | | |
| | | | | appd | M. HAHN | 2000-03-29 | | | |
| sheet index | revision sheet | | | | | | | | |

| PIN CODE NO. | DIM A MATING LENGTH | DIM B TAIL LENGTH | PCB THICKNESS RANGE ACCOMMODATED BY PIN LENGTH | | | | |
|--------------|---------------------|-------------------|---|-------------|--|-------------|-------------|
| | | | WHEN MATING TO A 73981 OR 84688 SERIES RECEPTACLE | | WHEN MATING TO A 52057 SERIES METRAL 4000 RECEPTACLE | | |
| | | | ROWS A,B,C,D,E | GROUND ROW | ROWS:A,B,D,E | ROW C | GROUND ROW |
| 04* | 7.25 | 4.30 | 1.60 MIN | 1.60 MIN | 1.60 MIN | 1.60 MIN | 1.60 MIN |
| 46 | | 12.20 | 2.95 - 3.80 | 2.95 - 4.20 | 2.95 - 3.80 | 2.95 - 3.80 | 2.95 - 4.20 |
| 33 | | 12.95 | 2.95 - 4.55 | 3.25 - 4.95 | 2.95 - 4.55 | 2.95 - 4.55 | 3.25 - 4.95 |
| 08 | | 13.70 | 2.95 - 5.30 | 4.00 - 5.70 | 3.30 - 5.30 | 2.95 - 5.30 | 4.00 - 5.70 |
| 38 | | 14.45 | 3.05 - 6.05 | 4.75 - 6.45 | 4.05 - 6.05 | 3.05 - 6.05 | 4.75 - 6.45 |
| 51 | | 15.20 | 3.80 - 6.80 | 5.50 - 7.20 | 4.80 - 6.80 | 3.80 - 6.80 | 5.50 - 7.20 |
| 42 | | 15.70 | 4.30 - 7.30 | 6.00 - 7.70 | 5.30 - 7.30 | 4.30 - 7.30 | 6.00 - 7.70 |
| 67 | | 16.40 | 5.00 - 8.00 | 6.70 - 8.40 | 6.00 - 8.00 | 5.00 - 8.00 | 6.70 - 8.40 |
| 12 | | 17.10 | 5.70 - 8.70 | 7.40 - 9.10 | 6.70 - 8.70 | 5.70 - 8.70 | 7.40 - 9.10 |
| 19* | 8.00 | 4.30 | 1.60 MIN | 1.60 MIN | 1.60 MIN | 1.60 MIN | 1.60 MIN |
| 47 | | 12.20 | 2.95 - 3.80 | 2.95 - 4.20 | 2.95 - 3.80 | 2.95 - 3.80 | 2.95 - 4.20 |
| 34 | | 12.95 | 2.95 - 4.55 | 3.25 - 4.95 | 2.95 - 4.55 | 2.95 - 4.55 | 3.25 - 4.95 |
| 20 | | 13.70 | 2.95 - 5.30 | 4.00 - 5.70 | 3.30 - 5.30 | 2.95 - 5.30 | 4.00 - 5.70 |
| 39 | | 14.45 | 3.05 - 6.05 | 4.75 - 6.45 | 4.05 - 6.05 | 3.05 - 6.05 | 4.75 - 6.45 |
| 52 | | 15.20 | 3.80 - 6.80 | 5.50 - 7.20 | 4.80 - 6.80 | 3.80 - 6.80 | 5.50 - 7.20 |
| 43 | | 15.70 | 4.30 - 7.30 | 6.00 - 7.70 | 5.30 - 7.30 | 4.30 - 7.30 | 6.00 - 7.70 |
| 68 | | 16.40 | 5.00 - 8.00 | 6.70 - 8.40 | 6.00 - 8.00 | 5.00 - 8.00 | 6.70 - 8.40 |
| 21 | | 17.10 | 5.70 - 8.70 | 7.40 - 9.10 | 6.70 - 8.70 | 5.70 - 8.70 | 7.40 - 9.10 |



This document is the property of and embodies CONFIDENTIAL and PROPRIETARY information of FCI. No part of the information shown on this document may be used in any way or disclosed to others without the written consent of FCI. Copyright FCI.

* STUB PINS - NO REAR PLUG-UP
 ** THE GREATEST RANGE OCCURS WHEN THE B DIMENSION OF PIN 'GND' IS ONE SIZE SHORTER THEN THE OTHER PINS.

| | | | | | | | | | |
|-------------|----------------|------------|------|---------------------------------------|------------|------------|------------|--------------------|--|
| mat'l code | | SEE NOTE 5 | | tolerances unless otherwise specified | | CUSTOMER | | www.fciconnect.com | |
| ltr | ecr no. | dr | date | linear | 0.X ±0.3 | | COPY | | title VERTICAL SIGNAL HDR 5 ROW P.F. 30 POS. SELECT LOAD STD. |
| AW | | | | | 0.XX ±0.13 | | projection | | |
| | | | | | .XXX ±.051 | | | | |
| | | | | angles | 0° ±2° | | | | product family METRAL 1000 code 213 size dwg no 74817 sheet 4 |
| | | | | dr | K. BELL | 2000-03-29 | scale 1:1 | | |
| | | | | enrg | M. HAHN | 2000-03-29 | A | | |
| | | | | chr | M. HAHN | 2000-03-29 | | | cage code 22526 |
| | | | | appd | M. HAHN | 2000-03-29 | | | |
| sheet index | revision sheet | | | | | | | | |

This document is the property of and embodies CONFIDENTIAL and PROPRIETARY information of FCi. No part of the information shown on this document may be used in any way or disclosed to others without the written consent of FCi. Copyright FCi.



| | | | | | | |
|---|---|--|---|--|---|---|
| 1 2 | | 3 | | 4 | | |
| METRAL P/N | CONTACT CODE | METRAL P/N | CONTACT CODE | PCB THICKNESS RANGE FOR REAR PLUG UP APPL. : 2.30 (2.95) - 5.30 FOR METRAL 1000 APPL. (NOT A STANDARD METRAL 1000 APPL.) AND 2.30 (3.30) - 5.30 FOR METRAL 4000 RECEPTACLE APPLICATION | METRAL P/N | CONTACT CODE |
| 74817-X016 SEE NOTE 15 LEAD FREE OPTION | ROW 1 2 3 4 5 6 E 02 02 02 02 02 02 D 02 02 02 02 02 02 C 04 04 04 04 04 04 B 01 02 02 02 02 01 A 02 02 02 02 02 02 GND 02 02 02 02 02 02 | 74817-X024 *RP SEE NOTE 15 LEAD FREE OPTION | ROW 1 2 3 4 5 6 E 05 05 05 05 05 05 D 05 05 05 05 05 05 C 05 05 05 05 05 05 B 05 05 05 05 05 05 A 05 05 05 05 05 05 GND 01 01 01 01 01 01 | | 74817-X029 SEE NOTE 15 LEAD FREE OPTION | ROW 1 2 3 4 5 6 E 01 01 01 01 01 01 D 01 01 01 01 01 02 C 01 01 01 01 01 01 B 01 01 01 01 01 01 A 01 01 03 01 01 03 GND 01 01 01 01 01 01 |
| METRAL P/N | CONTACT CODE | METRAL P/N | CONTACT CODE | | METRAL P/N | CONTACT CODE |
| 74817-X017 SEE NOTE 15 LEAD FREE OPTION | ROW 1 2 3 4 5 6 E 01 01 01 01 01 01 D 01 01 01 01 01 01 C 03 03 03 03 03 03 B 01 01 01 01 01 01 A 01 01 01 01 01 01 GND 01 01 01 01 01 01 | 74817-X025 ** SEE NOTE 15 LEAD FREE OPTION | ROW 1 2 3 4 5 6 E 01 19 01 01 01 01 D 01 19 01 01 01 01 C 01 19 01 01 01 01 B 01 19 01 01 01 01 A 01 19 01 01 01 01 GND 01 01 01 01 01 01 | | 74817-X030 SEE NOTE 15 LEAD FREE OPTION | ROW 1 2 3 4 5 6 E 02 02 02 02 02 02 D 02 02 02 02 02 02 C 19 19 19 19 19 19 B 02 02 02 02 02 02 A 03 02 03 02 02 01 GND 01 01 01 01 01 01 |
| METRAL P/N | CONTACT CODE | METRAL P/N | CONTACT CODE | PCB THICKNESS RANGE FOR REAR PLUG UP APPL. : 3.80 - 6.80 FOR METRAL 1000 RECEPTACLE APPL. (NOT A STANDARD METRAL 1000 APPL.) AND 2.30 (4.80) - 6.80 FOR METRAL 4000 APPLICATIONS | METRAL P/N | CONTACT CODE |
| 74817-X018 SEE NOTE 15 LEAD FREE OPTION | ROW 1 2 3 4 5 6 E 03 02 02 01 01 01 D 03 02 02 01 01 01 C 03 02 02 03 03 03 B 03 02 02 01 01 01 A 03 02 02 01 01 01 GND 01 01 01 01 01 01 | 74817-X026 *RP SEE NOTE 15 LEAD FREE OPTION | ROW 1 2 3 4 5 6 E 02 02 49 49 49 49 D 02 02 49 49 49 49 C 02 02 49 49 49 49 B 02 02 49 49 49 49 A 02 02 49 49 49 49 GND 01 01 01 01 01 01 | | 74817-X031 SEE NOTE 15 LEAD FREE OPTION | ROW 1 2 3 4 5 6 E 02 02 02 02 02 02 D 02 02 02 02 02 02 C 19 19 19 19 19 19 B 02 02 02 02 02 02 A 01 03 02 03 02 02 GND 01 01 01 01 01 01 |
| METRAL P/N | CONTACT CODE | METRAL P/N | CONTACT CODE | PCB THICKNESS RANGE FOR REAR PLUG UP APPL. : 3.80 - 6.80 FOR METRAL 1000 RECEPTACLE APPL. (NOT A STANDARD METRAL 1000 APPL.) AND 2.30 (4.80) - 6.80 FOR METRAL 4000 APPLICATIONS | METRAL P/N | CONTACT CODE |
| 74817-X019 SEE NOTE 15 LEAD FREE OPTION | ROW 1 2 3 4 5 6 E 01 01 01 02 02 03 D 01 01 01 02 02 03 C 03 03 03 02 02 03 B 01 01 01 02 02 03 A 01 01 01 02 02 03 GND 01 01 01 01 01 01 | 74817-X027 *RP SEE NOTE 15 LEAD FREE OPTION | ROW 1 2 3 4 5 6 E 49 49 49 49 02 02 D 49 49 49 49 02 02 C 49 49 49 49 02 02 B 49 49 49 49 02 02 A 49 49 49 49 02 02 GND 01 01 01 01 01 01 | | 74817-X032 SEE NOTE 15 LEAD FREE OPTION | ROW 1 2 3 4 5 6 E 02 02 02 02 02 02 D 02 02 02 02 02 02 C 19 19 19 19 19 19 B 02 02 02 02 02 02 A 02 02 02 02 02 01 GND 01 01 01 01 01 01 |
| METRAL P/N | CONTACT CODE | METRAL P/N | CONTACT CODE | PCB THICKNESS RANGE FOR REAR PLUG UP APPL. : 3.80 - 6.80 FOR METRAL 4000 APPLICATIONS | METRAL P/N | CONTACT CODE |
| 74817-X023 ** SEE NOTE 15 LEAD FREE OPTION | ROW 1 2 3 4 5 6 E 01 03 03 03 01 01 D 01 03 03 03 01 19 C 01 01 01 01 01 19 B 01 01 01 01 01 19 A 01 01 01 19 19 19 GND 01 01 01 01 01 01 | 74817-X028 *RP SEE NOTE 15 LEAD FREE OPTION | ROW 1 2 3 4 5 6 E 49 49 49 49 49 49 D 49 49 49 49 49 49 C 49 49 49 49 49 49 B 49 49 49 49 49 49 A 49 49 49 49 49 49 GND 01 01 01 01 01 01 | | 74817-X033 SEE NOTE 15 LEAD FREE OPTION | ROW 1 2 3 4 5 6 E 02 02 02 02 02 02 D 02 02 02 02 02 02 C 19 19 19 19 19 19 B 02 02 02 02 02 02 A 01 02 02 02 02 03 GND 01 01 01 01 01 01 |

* REAR PLUG-UP PART NUMBER WITH PIN ALIGNER
 ** CANNOT BE MATED TO A METRAL 4000 RECEPTACLE
 *** REAR PLUG-UP PART NUMBER WITHOUT PIN ALIGNER

| | | | | | |
|--------------------------|----------|---------------------------------------|------|------------|---|
| mat'l code SEE NOTE 5 | | tolerances unless otherwise specified | | CUSTOMER | FCi www.fciconnect.com |
| ltr | ecn no. | dr | date | COPY | |
| AW | | | | projection | title VERTICAL SIGNAL HDR 5 ROW P.F. 30 POS. SELECT LOAD STD. |
| | | | | angles | |
| | | | | dr | product family METRAL 1000 code 213 |
| | | | | engr | |
| | | | | chr | size A 74817 sheet 6 |
| | | | | appd | |
| sheet | revision | | | scale | cage code 22526 |
| index | sheet | | | 2:1 | |

| METRAL P/N | ROW | CONTACT CODE | | | | | |
|--|-----|--------------|----|----|----|----|----|
| | | 1 | 2 | 3 | 4 | 5 | 6 |
| 74817-X049 SEE NOTE 15 LEAD FREE OPTION | E | 02 | 02 | 02 | 02 | 02 | 02 |
| | D | 02 | 02 | 02 | 02 | 02 | 02 |
| | C | 04 | 02 | 02 | 02 | 02 | 02 |
| | B | 02 | 02 | 02 | 02 | 02 | 02 |
| | A | 02 | 02 | 02 | 02 | 02 | 02 |
| | GND | 02 | 02 | 02 | 02 | 02 | 02 |

| METRAL P/N | ROW | CONTACT CODE | | | | | |
|--|-----|--------------|----|----|----|----|----|
| | | 1 | 2 | 3 | 4 | 5 | 6 |
| 74817-X054 ***RPU SEE NOTE 15 LEAD FREE OPTION | E | 22 | 22 | 22 | 22 | 22 | 22 |
| | D | 22 | 22 | 22 | 22 | 22 | 22 |
| | C | 45 | 45 | 45 | 45 | 45 | 45 |
| | B | 22 | 22 | 22 | 22 | 22 | 22 |
| | A | 22 | 22 | 22 | 22 | 22 | 22 |
| | GND | 01 | 22 | 22 | 22 | 22 | 01 |

| METRAL P/N | ROW | CONTACT CODE | | | | | |
|--|-----|--------------|----|----|----|----|----|
| | | 1 | 2 | 3 | 4 | 5 | 6 |
| 74817-X050 ** SEE NOTE 15 LEAD FREE OPTION | E | 02 | 02 | 02 | 02 | 02 | 04 |
| | D | 02 | 02 | 02 | 02 | 02 | 04 |
| | C | 02 | 02 | 02 | 02 | 02 | 04 |
| | B | 02 | 02 | 02 | 02 | 02 | 04 |
| | A | 02 | 01 | 02 | 02 | 02 | 04 |
| | GND | 02 | 02 | 02 | 02 | 02 | 02 |

| METRAL P/N | ROW | CONTACT CODE | | | | | |
|--|-----|--------------|----|----|----|----|----|
| | | 1 | 2 | 3 | 4 | 5 | 6 |
| 74817-X055 ** SEE NOTE 15 LEAD FREE OPTION | E | 04 | 02 | 02 | 02 | 02 | 02 |
| | D | 04 | 02 | 02 | 02 | 02 | 02 |
| | C | 04 | 02 | 02 | 02 | 02 | 02 |
| | B | 04 | 02 | 02 | 02 | 02 | 02 |
| | A | 04 | 02 | 02 | 02 | 02 | 02 |
| | GND | - | 02 | 02 | 02 | 02 | - |

| METRAL P/N | ROW | CONTACT CODE | | | | | |
|--|-----|--------------|----|----|----|----|----|
| | | 1 | 2 | 3 | 4 | 5 | 6 |
| 74817-X051 ** SEE NOTE 15 LEAD FREE OPTION | E | 04 | 02 | 02 | 02 | 02 | 02 |
| | D | 04 | 02 | 02 | 02 | 02 | 02 |
| | C | 04 | 02 | 02 | 02 | 02 | 02 |
| | B | 04 | 02 | 02 | 02 | 02 | 02 |
| | A | 04 | 01 | 02 | 02 | 02 | 02 |
| | GND | 02 | 02 | 02 | 02 | 02 | 02 |

| METRAL P/N | ROW | CONTACT CODE | | | | | |
|--|-----|--------------|----|----|----|----|----|
| | | 1 | 2 | 3 | 4 | 5 | 6 |
| 74817-X056 SEE NOTE 15 LEAD FREE OPTION | E | 02 | 02 | 02 | 02 | 02 | 02 |
| | D | 02 | 02 | 02 | 02 | 02 | 02 |
| | C | 04 | 02 | 02 | 02 | 02 | 02 |
| | B | 02 | 02 | 02 | 02 | 02 | 02 |
| | A | 02 | 02 | 02 | 02 | 02 | 02 |
| | GND | - | 02 | 02 | 02 | 02 | - |

| METRAL P/N | ROW | CONTACT CODE | | | | | |
|--|-----|--------------|----|----|----|----|----|
| | | 1 | 2 | 3 | 4 | 5 | 6 |
| 74817-X052 ***RPU SEE NOTE 15 LEAD FREE OPTION | E | 05 | 05 | 05 | 05 | 05 | 05 |
| | D | 05 | 05 | 05 | 05 | 05 | 05 |
| | C | 05 | 05 | 05 | 05 | 05 | 05 |
| | B | 05 | 05 | 05 | 05 | 05 | 05 |
| | A | 05 | 05 | 05 | 05 | 05 | 05 |
| | GND | 01 | 01 | 01 | 01 | 01 | 01 |

| METRAL P/N | ROW | CONTACT CODE | | | | | |
|--|-----|--------------|----|----|----|----|----|
| | | 1 | 2 | 3 | 4 | 5 | 6 |
| 74817-X057 *RPU SEE NOTE 15 LEAD FREE OPTION | E | 22 | 22 | 22 | 01 | 01 | 01 |
| | D | 22 | 22 | 22 | 01 | 01 | 01 |
| | C | 22 | 22 | 22 | 01 | 01 | 01 |
| | B | 22 | 22 | 22 | 01 | 01 | 01 |
| | A | 22 | 22 | 22 | 01 | 01 | 01 |
| | GND | 22 | 22 | 22 | 22 | 22 | 22 |

| METRAL P/N | ROW | CONTACT CODE | | | | | |
|--|-----|--------------|----|----|----|----|----|
| | | 1 | 2 | 3 | 4 | 5 | 6 |
| 74817-X053 ***RPU SEE NOTE 15 LEAD FREE OPTION | E | 05 | 20 | 05 | 05 | 05 | 05 |
| | D | 05 | 20 | 05 | 05 | 05 | 05 |
| | C | 05 | 20 | 05 | 05 | 05 | 05 |
| | B | 05 | 20 | 05 | 05 | 05 | 05 |
| | A | 05 | 20 | 05 | 05 | 05 | 05 |
| | GND | 01 | 01 | 01 | 01 | 01 | 01 |

* REAR PLUG-UP PART NUMBER WITH PIN ALIGNER
 ** CANNOT BE MATED TO A METRAL 4000 RECEPTACLE
 *** REAR PLUG-UP PART NUMBER WITHOUT PIN ALIGNER

| | | | | | | | | |
|-----------------------|----------------|----|------|---------------------------------------|------------------------|------------|-------------------------------|-------------|
| mat'l code SEE NOTE 5 | | | | tolerances unless otherwise specified | | CUSTOMER | FCJ www.fciconnect.com | |
| ltr | ecn no. | dr | date | linear | 0.X ±0.3 | COPY | title | |
| AW | | | | linear | 0.XX ±0.13 | projection | VERTICAL SIGNAL HDR 5 ROW | |
| | | | | angles | .XXX ±.051 | | P.F. 30 POS. SELECT LOAD STD. | |
| | | | | dr | K. BELL 2000-03-29 | MM ←→ | product family | METRAL 1000 |
| | | | | engr | J. VOLSTORF 2001-05-23 | | code | 213 |
| | | | | chr | M. HAHN 2000-03-29 | | size | dwg no |
| | | | | appd | M. HAHN 2000-03-29 | | scale | 74817 |
| sheet index | revision sheet | | | | | 2:1 | A | sheet 8 |




This document is the property of and embodies CONFIDENTIAL and PROPRIETARY information of FCJ. No part of the information shown on this document may be used in any way or disclosed to others without the written consent of FCJ. Copyright FCJ.

PRODUCT NUMBER
SEE SHEET 1

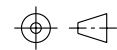

NOTES:

- 1. SEE APPLICATION SPECIFICATION GS-20-010 FOR INFORMATION ON AVAILABLE TOOLING, CIRCUIT BOARD DESIGN CONSIDERATIONS, REPAIR PROCEDURES AND PRODUCT OFFERINGS.
- 2. SEE FCI PUBLICATION 950511-028 FOR "ELECTRICAL PERFORMANCE DATA FOR DIFFERENTIAL APPLICATIONS."
- 3. SEE FCI PUBLICATION 950511-029 FOR "ELECTRICAL PERFORMANCE DATA FOR SINGLE-ENDED APPLICATION."
- 4. UNLESS OTHERWISE SPECIFIED, ALL DIMENSIONS AND TOLERANCES ARE IN ACCORDANCE WITH ASME Y14.5, 1994
- 5. HOUSING MATERIAL: LIQUID CRYSTAL POLYMER, 30% GLASS FILLED, FLAME RETARDANT PER UL 94-V0.
PIN MATERIAL: PHOSPHER BRONZE
GROUND SPRING MATERIAL: PHOSPHER BRONZE
- 6. PLATING INFORMATION: PLATING ON CONTACT AREA MEETS THE PERFORMANCE LEVELS SHOWN IN TABLE ON SHEET 1. PLATING OF "LF" TAILS IS Sn. PLATING ON ALL OTHER TAILS IS SnPb.
- 7. DIMENSIONAL RESTRICTIONS OF PINS IN HEADERS.
FOR MATING WITH METRAL 1000 RECEPTACLES
DIM A : 5.00mm MIN, 8.00mm MAX FOR ROWS A-E
DIM A : 5.00mm MIN, 5.75mm MAX FOR ROW GND NEXT TO ROW A
DIM C : 5.00mm MIN, 8.00mm MAX FOR ROWS A-E
DIM C : 4.60mm MIN, 6.30mm MAX FOR ROW GND NEXT TO ROW A
FOR MATING WITH METRAL 4000 RECEPTACLES
DIM A : 5.00mm MIN, 6.50mm MAX FOR ROWS A, B, D & E
DIM A : 5.00mm MIN, 8.00mm MAX FOR ROW C
DIM A : 5.00mm MIN, 5.75mm MAX FOR ROW GND NEXT TO ROW A
DIM C : 5.00mm MIN, 7.00mm MAX FOR ROWS A, B, D & E
DIM C : 5.00mm MIN, 8.00mm MAX FOR ROW C
DIM C : 4.60mm MIN, 6.30mm MAX FOR ROW GND NEXT TO ROW A

- 8. THE MIN PCB THICKNESS FOR REAR PLUG-UP APPLICATIONS IS 2.9mm SINCE THE COMPLAINT SECTIONS OF THE GROUND SPRING OF THE HEADER DIRECTLY OPPOSE THE GROUND SPRING OF THE SHROUD. THE MIN PCB THICKNESS FOR FRONT PLUG-UP ONLY APPLICATIONS IS 1.6mm.
- 9. THESE HOLES ARE NEEDED FOR REAR PLUG-UP DESIGNS USING A SHROUD AND MAY BE OMITTED FOR FRONT PLUG-UP ONLY DESIGNS.
- 10. THE 'CONNECTOR OUTLINE' IS THE MIN OUTLINE REQUIRED. TO DETERMINE THE OUTLINE NECESSARY TO PERMIT THE VARIOUS TYPES OF REPAIR OPERATIONS, SEE APPLICATION SPECIFICATION GS-20-010.
- 11. CURRENT RATING: 1 AMP PER PIN
- 12. TEMPERATURE RANGE: -55°C TO +105°C
- 13. P/N 74817-XZZZLF

- 14. THE PRODUCTS WHERE THE PART NUMBERS ENDS IN LF MEET EUROPEAN UNION DIRECTIVES AND OTHER COUNTRY REGULATIONS AS DESCRIBED IN GS-22-008. ALL PRODUCTS WILL WITHSTAND EXPOSURE TO 260°C FOR 60 SECONDS IN A CONVECTION, INFRA-RED OR VAPOR PHASE REFLOW OVEN.
- 15. FOR LEAD FREE PART NUMBERS ADD 'LF' SUFFIX. EXAMPLE: 74817-XXXXLF
- 16. PIN TYPE IS AT THE MANUFACTURERS OPTION AND CAN BE EITHER BABY-H OR EYE OF THE NEEDLE STYLE



This document is the property of and embodies CONFIDENTIAL and PROPRIETARY information of FCI. No part of the information shown on this document may be used in any way or disclosed to others without the written consent of FCI. Copyright FCI.

| | | | | | | | | | |
|--------------------------|----------------|----|------|---------------------------------------|-------------|------------|---|---------------------------|---|
| mat'l code SEE NOTE 5 | | | | tolerances unless otherwise specified | | CUSTOMER | | FCI www.fciconnect.com | |
| ltr | ecr no. | dr | date | linear | 0.X ± 0.3 | | COPY | | title VERTICAL SIGNAL HDR 5 ROW P.F. 30 POS. SELECT LOAD STD. |
| AW | | | | | 0.XX ± 0.13 | | projection | | |
| | | | | angles | .XXX ± .051 | |  | | |
| | | | | | 0° ± 2° | |  | | |
| | | | | dr | K. BELL | 2000-03-29 | product family METRAL 1000 | | code |
| | | | | engr | M. HAHN | 2000-03-29 | size | dwg no | 213 |
| | | | | chr | M. HAHN | 2000-03-29 | scale 1:1 | A | 74817 |
| | | | | appd | M. HAHN | 2000-03-29 | | | |
| sheet index | revision sheet | | | | | | | | |

Компания «Океан Электроники» предлагает заключение долгосрочных отношений при поставках импортных электронных компонентов на взаимовыгодных условиях!

Наши преимущества:

- Поставка оригинальных импортных электронных компонентов напрямую с производств Америки, Европы и Азии, а так же с крупнейших складов мира;
- Широкая линейка поставок активных и пассивных импортных электронных компонентов (более 30 млн. наименований);
- Поставка сложных, дефицитных, либо снятых с производства позиций;
- Оперативные сроки поставки под заказ (от 5 рабочих дней);
- Экспресс доставка в любую точку России;
- Помощь Конструкторского Отдела и консультации квалифицированных инженеров;
- Техническая поддержка проекта, помощь в подборе аналогов, поставка прототипов;
- Поставка электронных компонентов под контролем ВП;
- Система менеджмента качества сертифицирована по Международному стандарту ISO 9001;
- При необходимости вся продукция военного и аэрокосмического назначения проходит испытания и сертификацию в лаборатории (по согласованию с заказчиком);
- Поставка специализированных компонентов военного и аэрокосмического уровня качества (Xilinx, Altera, Analog Devices, Intersil, Interpoint, Microsemi, Actel, Aeroflex, Peregrine, VPT, Syfer, Eurofarad, Texas Instruments, MS Kennedy, Miteq, Cobham, E2V, MA-COM, Hittite, Mini-Circuits, General Dynamics и др.);

Компания «Океан Электроники» является официальным дистрибьютором и эксклюзивным представителем в России одного из крупнейших производителей разъемов военного и аэрокосмического назначения «JONHON», а так же официальным дистрибьютором и эксклюзивным представителем в России производителя высокотехнологичных и надежных решений для передачи СВЧ сигналов «FORSTAR».



JONHON

«JONHON» (основан в 1970 г.)

Разъемы специального, военного и аэрокосмического назначения:

(Применяются в военной, авиационной, аэрокосмической, морской, железнодорожной, горно- и нефтедобывающей отраслях промышленности)

«FORSTAR» (основан в 1998 г.)

ВЧ соединители, коаксиальные кабели,
кабельные сборки и микроволновые компоненты:

(Применяются в телекоммуникациях гражданского и специального назначения, в средствах связи, РЛС, а так же военной, авиационной и аэрокосмической отраслях промышленности).



Телефон: 8 (812) 309-75-97 (многоканальный)

Факс: 8 (812) 320-03-32

Электронная почта: ocean@oceanchips.ru

Web: <http://oceanchips.ru/>

Адрес: 198099, г. Санкт-Петербург, ул. Калинина, д. 2, корп. 4, лит. А