

500 mA 36V Input Low Supply Current LDO

NO. EA-304-170112

OUTLINE

R1517x is a CMOS-based LDO that specifically designed featuring 500 mA output current and 36 V input voltage. In addition to a conventional regulator circuit, R1517x consists of a constant slope circuit as a soft-start function, a fold-back protection circuit, a short current limit circuit, and a thermal shutdown circuit. Besides the low supply current by CMOS, the operating temperature is -40°C to 105°C and the maximum input voltage is 36 V, the R1517x is very suitable for power source of car accessories. R1517x supports the internal fixed output voltage type of R1517xxxxB/D/E/F and the adjustable output voltage setting type, which is controlled by external resistances, of R1517x001C. As for the soft-start time, R1517x is fixed internal in R1517xxxxB/C/D and is set to 120 μs (Typ). And the soft-start time in R1517xxxxE/F is adjustable by external capacitors. R1517x supports the auto-discharge function at standby in R1517xxxxD/F. R1517x is available in two packages for ultra-high wattage: HSOP-6J and TO-252-5-P2.

FEATURES

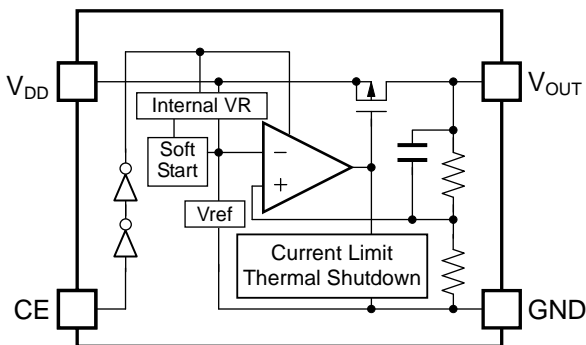
- Input Voltage Range (Maximum Rating) 3.5 V to 36.0 V (50.0V)
- Operating Temperature Range -40°C to 105°C
- Supply Current..... Typ. 18 μA
- Standby Current..... Typ. 0.1 μA
- Dropout Voltage Typ. 0.35 V ($I_{\text{OUT}} = 500 \text{ mA}$, $V_{\text{OUT}} = 5.0 \text{ V}$)
- Output Voltage Accuracy $\pm 0.8\%$ ($V_{\text{OUT}} \leq 5.0 \text{ V}$)
- Line Regulation..... Typ. 0.01%/V
- Packages HSOP-6J, TO-252-5-P2
- Output Voltage Range R1517xxxxB/D/E/F: 2.5 V/3.3 V/3.4 V/5.0 V/ 8.5V
* Contact Ricoh sales representatives for other voltages.
R1517x001C: Adjustable from 2.5 V to 12.0 V with External Resistors.
Feedback Voltage: 2.5 V
- Built-in Short Current Limit Circuit Typ. 75 mA
- Built-in Fold-Back Protection Circuit..... Min. 500 mA
- Built-in Thermal Shutdown Circuit Typ. 160°C
- Built-in Soft-start Circuit Typ. 120 μs
R1517xxxxE/F: Adjustable Time Setting with External Capacitors.
- Usable Ceramic Capacitors R1517xxxxB/D/E/F: 0.1 μF or more
R1517x001C: 1.0 μF or more

APPLICATIONS

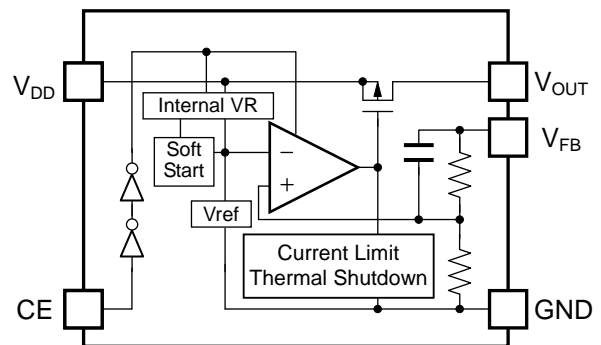
- Power source for home appliances such as refrigerators, rice cookers, electric water warmers.
- Power source for notebook PCs, digital TVs, telephones, private LAN systems.
- Power source for office equipment such as copiers, printers, facsimiles, scanners, and projectors

BLOCK DIAGRAMS

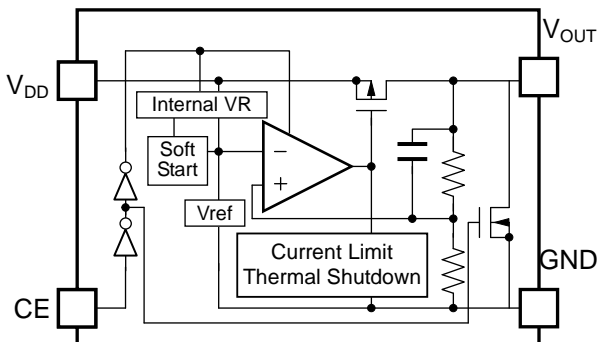
R1517xxxxB



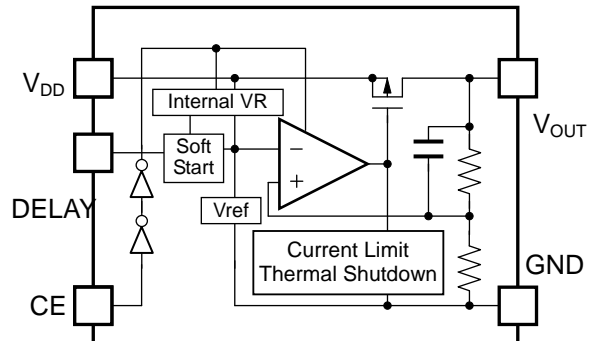
R1517x001C



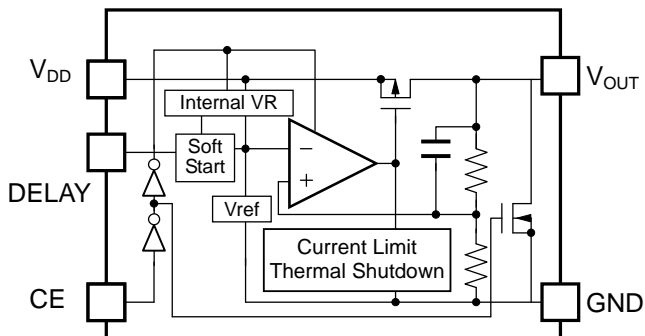
R1517xxxxD



R1517xxxxE



R1517xxxxF



SELECTION GUIDE

The output voltage, version, and package type for this device can be selected at the user's request.

Product Name	Package	Quantity per Reel	Pb Free	Halogen Free
R1517Sxx1*-E2-FE	HSOP-6J	1,000 pcs	Yes	Yes
R1517Jxx1*-T1-FE	TO-252-5-P2	3,000 pcs	Yes	Yes

xx: Specify the set output voltage (V_{SET})

2.5 V (25) / 3.3 V (33) / 3.4 V (34) / 5.0 V (50) / 8.5 V (85)

Note: Contact Ricoh sales representatives for other voltages.

Adjustable output voltage setting type is fixed to (00)

Note: R1517x001C-T1-#E only support

* : Specify the version with desired functions

B: No auto-discharge function

C: No auto-discharge function / Adjustable output voltage setting

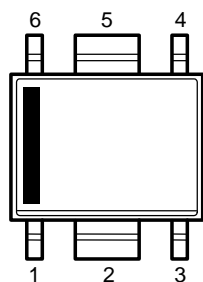
D: Auto-discharge function

E: No auto-discharge function / Adjustable soft-start time setting

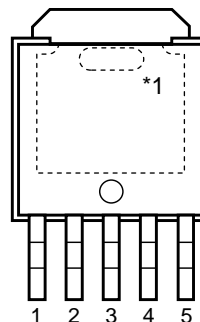
F: Auto-discharge function / Adjustable soft-start time setting

Auto-Discharge function quickly lowers the output voltage to 0 V by releasing the electrical charge in the external capacitor when the chip enable signal is switched from the active mode to the standby mode.

PIN DESCRIPTION



HSOP-6J



TO-252-5-P2

HSOP-6J

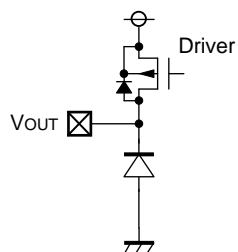
Pin No.	Symbol	Description	
1	V _{DD}	Input Pin	
2	GND	Ground Pin	
3	NC	No Connection	R1517SxxxB/D
	V _{FB}	Feedback Pin	R1517S001C
	DELAY	Soft-start Time Pin	R1517SxxxE/F
4	CE	Chip Enable Pin, Active-high	
5	GND	Ground Pin	
6	V _{OUT}	Output Pin	

TO-252-5-P2

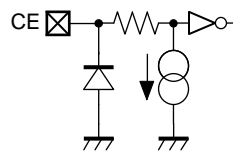
Pin No.	Symbol	Description	
1	V _{DD}	Input Pin	
2	NC	No Connection	R1517JxxxB/D
	V _{FB}	Feedback Pin	R1517J001C
	DELAY	Adjustable Soft-start Time Pin	R1517JxxxE/F
3	GND	Ground Pin	
4	CE	Chip Enable Pin, Active-high	
5	V _{OUT}	Output Pin	

*1 The tab on the bottom of the package enhances thermal performance and is electrically connected to GND (substrate level). It is recommended that the tab be connected to the ground plane on the board, or otherwise be left open.

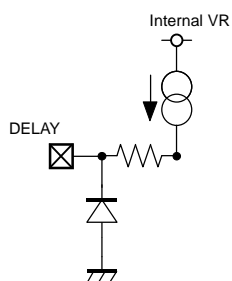
PIN EQUIVALENT CIRCUIT DIAGRAMS



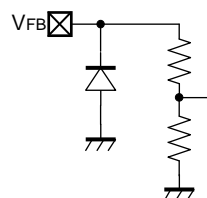
V_{OUT} Pin



CE Pin



DELAY Pin (R1517xxxxE/F)



V_{FB} Pin (R1517x001C)

ABSOLUTE MAXIMUM RATINGS

Symbol	Item		Rating	Unit
V _{IN}	Input Voltage		-0.3 to 50	V
V _{IN}	Peak Input Voltage* ¹		60	V
V _{CE}	Input Voltage (CE Pin)		-0.3 to 50	V
V _{FB}	Input Voltage (V _{FB} Pin)		-0.3 to 50	V
V _{OUT}	Output Voltage		-0.3 to V _{IN} + 0.3 ≤ 50	V
P _D	Power Dissipation (HSOP-6J) ^{*2}	Standard Land Pattern	1700	mW
		Ultra High Wattage Land Pattern	2700	
	Power Dissipation (TO-252-5-P2) ^{*2}	Standard Land Pattern	1900	
		Ultra High Wattage Land Pattern	3800	
T _a	Operating Temperature Range		-40 to 105	°C
T _{stg}	Storage Temperature Range		-55 to 125	°C

*¹ Duration time = 200 ms

*² Refer to *PACKAGE INFORMATION* for detailed information.

ABSOLUTE MAXIMUM RATINGS

Electronic and mechanical stress momentarily exceeded absolute maximum ratings may cause the permanent damages and may degrade the life time and safety for both device and system using the device in the field. The functional operation at or over these absolute maximum ratings is not assured.

ELECTRICAL CHARACTERISTICS

$V_{IN} = V_{SET} + 1.0 \text{ V}$, $I_{OUT} = 1 \text{ mA}$, $C_{IN} = C_{OUT} = 0.1 \mu\text{F}$, unless otherwise noted.

The specifications surrounded by are guaranteed by design engineering at $-40^\circ\text{C} \leq T_a \leq 105^\circ\text{C}$.

R1517xxxxB/D

($T_a = 25^\circ\text{C}$)

Symbol	Item	Conditions	Min.	Typ.	Max.	Unit	
V_{IN}	Input Voltage		3.5		36	V	
V_{OUT}	Output Voltage	$T_a = 25^\circ\text{C}$	$V_{SET} \leq 5.0 \text{ V}$	$\times 0.992$		$\times 1.008$	V
			$V_{SET} > 5.0 \text{ V}$	$\times 0.99$		$\times 1.01$	V
		$-40^\circ\text{C} \leq T_a \leq 105^\circ\text{C}$	$V_{SET} \leq 5.0 \text{ V}$	$\times 0.982$		$\times 1.018$	V
			$V_{SET} > 5.0 \text{ V}$	$\times 0.98$		$\times 1.02$	V
$\Delta V_{OUT} / \Delta I_{OUT}$	Load Regulation	$V_{IN} = V_{SET} + 2.0 \text{ V}$, $1 \text{ mA} \leq I_{OUT} \leq 250 \text{ mA}$	-15	3	25	mV	
		$V_{IN} = V_{SET} + 2.0 \text{ V}$, $1 \text{ mA} \leq I_{OUT} \leq 500 \text{ mA}$	-25	5	40	mV	
V_{DIF}	Dropout Voltage	$I_{OUT} = 500 \text{ mA}$	Refer to Product-specific Electrical Characteristics.				
I_{SS}	Supply Current	$I_{OUT} = 0 \text{ mA}$		18	36	μA	
Istandby	Standby Current	$V_{CE} = 0 \text{ V}$		0.1	2.0	μA	
$\Delta V_{OUT} / \Delta V_{IN}$	Line Regulation	$V_{SET} + 0.5 \text{ V} \leq V_{IN} \leq 36 \text{ V}$, if $V_{IN} \leq 3.5 \text{ V}$		0.01	0.02	%/V	
$\Delta V_{OUT} / \Delta T_a$	Output Voltage Temperature Coefficient	$-40^\circ\text{C} \leq T_a \leq 105^\circ\text{C}$		± 60		ppm/ $^\circ\text{C}$	
I_{LIM}	Output Current Limit	$V_{IN} = V_{SET} + 2.0 \text{ V}$	500			mA	
I_{SC}	Short Current Limit	$V_{OUT} = 0 \text{ V}$		75		mA	
I_{PD}	CE Pull-down Current	$V_{CE} = 5 \text{ V}$		0.2	0.6	μA	
		$V_{CE} = 36 \text{ V}$		0.5	1.3	μA	
t_{D1}	Soft-start Time 1			120		μs	
V_{CEH}	CE Input Voltage "H"		2.2			V	
V_{CEL}	CE Input Voltage "L"				1.0	V	
T_{TSD}	Thermal Shutdown Temperature	Junction Temperature		160		$^\circ\text{C}$	
T_{TSR}	Thermal Shutdown Released Temperature	Junction Temperature		135		$^\circ\text{C}$	
R_{LOW}	Low Output Nch Tr. ON Resistance (R1517xxxxD)	$V_{IN} = 14.0 \text{ V}$, $V_{CE} = 0 \text{ V}$		3.2		k Ω	

All test items listed under Electrical Characteristics are done under the pulse load condition ($T_j \approx T_a = 25^\circ\text{C}$) except for Output Voltage Temperature Coefficient and Soft-start Time 1.

R1517x

NO. EA-304-170112

 $V_{IN} = V_{SET} + 1.0 \text{ V}$, $I_{OUT} = 1 \text{ mA}$, $C_{IN} = 0.1 \mu\text{F}$, $C_{OUT} = 1.0 \mu\text{F}$, unless otherwise noted.The specifications surrounded by are guaranteed by design engineering at $-40^\circ\text{C} \leq T_a \leq 105^\circ\text{C}$.**R1517x001C**

(Ta = 25°C)

Symbol	Item	Conditions	Min.	Typ.	Max.	Unit
V_{IN}	Input Voltage		3.5		36	V
V_{FB}	Feedback Voltage	Ta = 25°C	2.480		2.520	V
		$-40^\circ\text{C} \leq T_a \leq 105^\circ\text{C}$	2.455		2.545	V
$\Delta V_{OUT} / \Delta I_{OUT}$	Load Regulation	$V_{IN} = V_{SET} + 2.0 \text{ V}$ $1 \text{ mA} \leq I_{OUT} \leq 250 \text{ mA}$	-10	3	10	mV
		$V_{IN} = V_{SET} + 2.0 \text{ V}$ $1 \text{ mA} \leq I_{OUT} \leq 500 \text{ mA}$	-20	5	20	mV
V_{DIF}	Dropout Voltage	$V_{SET} = V_{FB}$, $I_{OUT} = 500 \text{ mA}$		/	1.0	V
I_{SS}	Supply Current	$I_{OUT} = 0 \text{ mA}$		18	36	μA
Istandby	Standby Current	$V_{CE} = 0 \text{ V}$		0.1	2.0	μA
$\Delta V_{OUT} / \Delta V_{IN}$	Line Regulation	$V_{SET} = V_{FB}$, $3.5 \text{ V} \leq V_{IN} \leq 36 \text{ V}$		0.01	0.02	%/V
$\Delta V_{OUT} / \Delta T_a$	Output Voltage Temperature Coefficient	$-40^\circ\text{C} \leq T_a \leq 105^\circ\text{C}$		± 60		ppm/ °C
I_{LIM}	Output Current Limit	$V_{IN} = V_{SET} + 2.0 \text{ V}$	500			mA
I_{SC}	Short Current Limit	$V_{OUT} = V_{FB} = 0 \text{ V}$		75		mA
I_{PD}	CE Pull-down Current	$V_{CE} = 5 \text{ V}$		0.2	0.6	μA
		$V_{CE} = 36 \text{ V}$		0.5	1.3	μA
t_{D1}	Soft-start Time 1			120		μs
V_{CEH}	CE Input Voltage "H"		2.2			V
V_{CEL}	CE Input Voltage "L"				1.0	V
T_{TSD}	Thermal Shutdown Temperature	Junction Temperature		160		°C
T_{TSR}	Thermal Shutdown Released Temperature	Junction Temperature		135		°C

All test items listed under Electrical Characteristics are done under the pulse load condition ($T_j \approx T_a = 25^\circ\text{C}$) except for Output Voltage Temperature Coefficient Soft-start Time 1.

$V_{IN} = V_{SET} + 1.0 \text{ V}$, $I_{OUT} = 1 \text{ mA}$, $C_{IN} = C_{OUT} = 0.1 \mu\text{F}$, unless otherwise noted.

The specifications surrounded by are guaranteed by design engineering at $-40^\circ\text{C} \leq T_a \leq 105^\circ\text{C}$.

R1517xxxxE/F

(Ta = 25°C)

Symbol	Item	Conditions	Min.	Typ.	Max.	Unit
V_{IN}	Input Voltage		3.5		36	V
V_{OUT}	Output Voltage	Ta = 25°C	$V_{SET} \leq 5.0 \text{ V}$	$\times 0.992$	$\times 1.008$	V
			$V_{SET} > 5.0 \text{ V}$	$\times 0.99$	$\times 1.01$	V
		$-40^\circ\text{C} \leq T_a \leq 125^\circ\text{C}$	$V_{SET} \leq 5.0 \text{ V}$	$\times 0.982$	$\times 1.018$	V
			$V_{SET} > 5.0 \text{ V}$	$\times 0.98$	$\times 1.02$	V
$\Delta V_{OUT} / \Delta I_{OUT}$	Load Regulation	$V_{IN} = V_{SET} + 2.0 \text{ V}$ $1 \text{ mA} \leq I_{OUT} \leq 250 \text{ mA}$	-15	3	25	mV
		$V_{IN} = V_{SET} + 2.0 \text{ V}$ $1 \text{ mA} \leq I_{OUT} \leq 500 \text{ mA}$	-25	5	40	mV
V_{DIF}	Dropout Voltage	$I_{OUT} = 500 \text{ mA}$	Refer to Product-specific Electrical Characteristics.			
I_{SS}	Supply Current	$I_{OUT} = 0 \text{ mA}$		18	36	μA
Istandby	Standby Current	$V_{CE} = 0 \text{ V}$		0.1	2.0	μA
$\Delta V_{OUT} / \Delta V_{IN}$	Line Regulation	$V_{SET} + 0.5 \text{ V} \leq V_{IN} \leq 36 \text{ V}$, if $V_{IN} \leq 3.5 \text{ V}$		0.01	0.02	%/V
$\Delta V_{OUT} / \Delta T_a$	Output Voltage Temperature Coefficient	$-40^\circ\text{C} \leq T_a \leq 105^\circ\text{C}$		± 60		ppm/ $^\circ\text{C}$
I_{LIM}	Output Current Limit	$V_{IN} = V_{SET} + 2.0 \text{ V}$	500			mA
I_{SC}	Short Current Limit	$V_{OUT} = 0 \text{ V}$		75		mA
I_{PD}	CE Pull-down Current	$V_{CE} = 5 \text{ V}$		0.2	0.6	μA
		$V_{CE} = 36 \text{ V}$		0.5	1.3	μA
I_{DELAY}	DELAY Current	DELAY = GND	1.5	2.5	3.5	μA
t_{D1}	Soft-start Time 1	DELAY = OPEN		26		μs
t_{D2}	Soft-start Time 2	DELAY = 0.001 μF	210	290	415	μs
V_{CEH}	CE Input Voltage "H"		2.2			V
V_{CEL}	CE Input Voltage "L"				1.0	V
T_{TSD}	Thermal Shutdown Temperature	Junction Temperature		160		$^\circ\text{C}$
T_{TSR}	Thermal Shutdown Released Temperature	Junction Temperature		135		$^\circ\text{C}$
R_{LOW}	Low Output Nch Tr. ON Resistance (R1517xxx1F)	$V_{IN} = 14.0 \text{ V}$, $V_{CE} = 0 \text{ V}$		3.2		k Ω

All test items listed under Electrical Characteristics are done under the pulse load condition ($T_j \approx T_a = 25^\circ\text{C}$) except for Output Voltage Temperature Coefficient, Soft-start Time 1, and Soft-start Time 2.

R1517x

NO. EA-304-170112

Product-specific Electrical Characteristics

The specifications surrounded by are guaranteed by design engineering at $-40^{\circ}\text{C} \leq T_a \leq 105^{\circ}\text{C}$.

R1517xxx1B/D/E/F

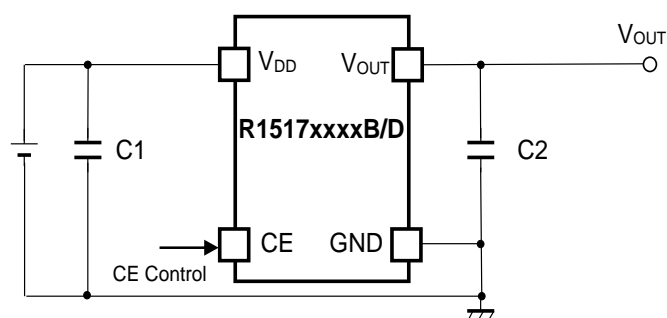
($T_a = 25^{\circ}\text{C}$)

Product Name	V_{OUT} [V] ($T_a = 25^{\circ}\text{C}$)			V_{OUT} [V] ($-40 \leq T_a \leq 105^{\circ}\text{C}$)			V_{DIF} [V]	
	Min.	Typ.	Max.	Min.	Typ.	Max.	Typ.	Max.
R1517x251x	2.480	2.500	2.520	2.455	2.500	2.545	/	1.00
R1517x331x	3.274	3.300	3.326	3.241	3.300	3.359	0.45	0.77
R1517x341x	3.373	3.400	3.427	3.339	3.400	3.461		
R1517x501x	4.960	5.000	5.040	4.910	5.000	5.090	0.35	0.62
R1517x851x	8.415	8.500	8.585	8.330	8.500	8.670	0.30	0.50

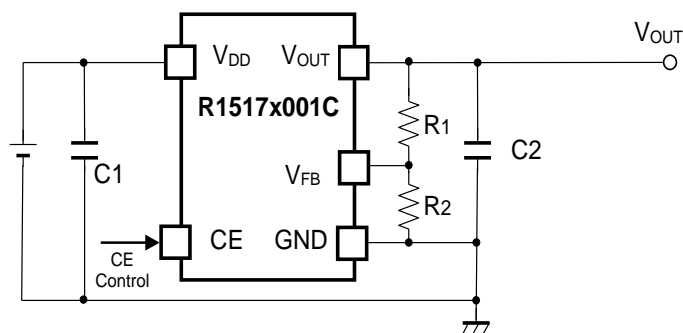
RECOMMENDED OPERATING CONDITIONS (ELECTRICAL CHARACTERISTICS)

All of electronic equipment should be designed that the mounted semiconductor devices operate within the recommended operating conditions. The semiconductor devices cannot operate normally over the recommended operating conditions, even if when they are used over such conditions by momentary electronic noise or surge. And the semiconductor devices may receive serious damage when they continue to operate over the recommended operating conditions.

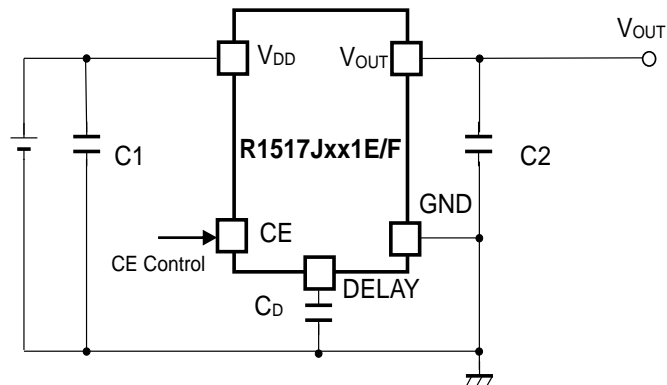
TYPICAL APPLICATION



R1517xxxxB/D Typical Application



R1517x001C Typical Application



R1517xxxxE/F Typical Application

External Components:

Symbol	Description
R1517xxxxB//D/E/F	
C1 (C _{IN})	0.1μF (Ceramic)
C2 (C _{OUT})	0.1μF (Ceramic)
R1517x001C	
C1 (C _{IN})	0.1μF (Ceramic)
C2 (C _{OUT})	1.0μF (Ceramic)

TECHNICAL NOTES

Phase Compensation

In LDO regulators, phase compensation is provided to secure stable operation even when the load current is varied. For this purpose, use the capacitor C2 of 0.1 μ F or more (R1517xxxxB/D/E/F) / 1.0 μ F or more (R1517x001C).

When using a tantalum type capacitor and the ESR (Equivalent Series Resistance) value is large, the output might be unstable. Evaluate the circuit including consideration of frequency characteristics.

For the externally adjustable output voltage type (R1517x001C), use 10 k Ω or lower resistance R2.

PCB Layout

Ensure the V_{DD} and GND lines are sufficiently robust. If their impedance is too high, noise pickup or unstable operation may result. Connect 0.1 μ F or more of the capacitor C1 between the V_{DD} and GND, and as close as possible to the pins.

In addition, connect the capacitor C2 between V_{OUT} and GND, and as close as possible to the pins.

OPERATION DESCRIPTION

Thermal Shutdown Function

Thermal shutdown function is included in this device. If the junction temperature is more than or equal to 160°C (Typ.), the operation of the regulator would stop. After that, when the junction temperature is less than or equal to 135°C (Typ.), the operation of the regulator would restart. Unless the cause of rising temperature is removed, the regulator repeats on and off, and output waveform would be like consecutive pulses.

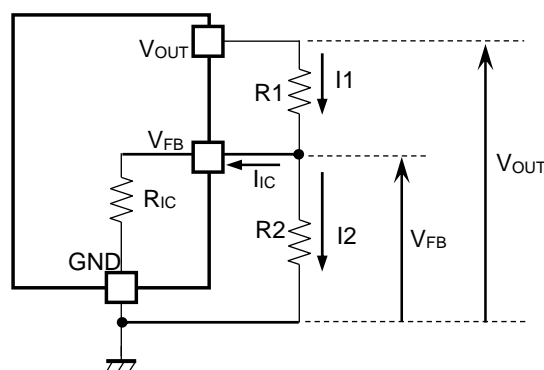
Adjustable Output Voltage Setting (R1517x001C)

The output voltage of R1517x001C can be adjusted by using the external divider resistors (R1, R2). By using the following equation, the output voltage (V_{OUT}) can be determined. The voltage which is fixed inside the IC is described as V_{FB} .

$$V_{OUT} = V_{FB} \times ((R1 + R2) / R2)$$

$$\text{Recommended Range: } 2.5 \text{ V} \leq V_{OUT} \leq 12.0 \text{ V}$$

$$V_{FB} = 2.5 \text{ V}$$



Output Voltage Adjustment Using External Divider Resistors (R1, R2)

R_{IC} of the R1517x001C is approximately Typ. 1.35 M Ω ($T_a=25^\circ\text{C}$, guaranteed by design engineering). For better accuracy, setting $R1 \ll R_{IC}$ reduces errors. The resistance value for R2 should be set to 10 k Ω or lower. It is easily affected by noises when setting the value of R1 and R2 larger, which makes the impedance of V_{FB} pin larger.

R_{IC} could be affected by the temperature, therefore evaluate the circuit taking the actual conditions of use into account when deciding the resistance values for R1 and R2.

R1517x

NO. EA-304-170112

Soft-start Function

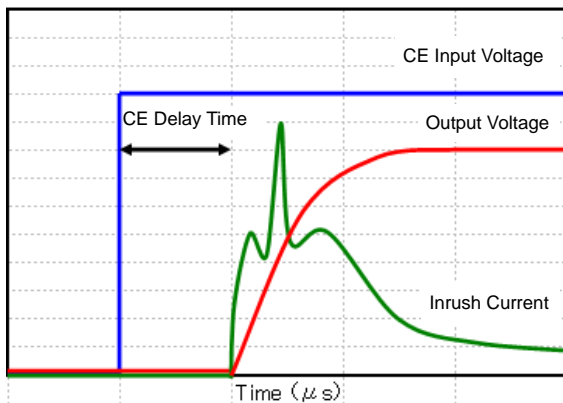
R1517x is equipped with a constant slope circuit, which achieves a soft-start function. This circuit allows the output voltage to start up gradually when the CE is turned on. The constant slope circuit minimizes the inrush current at the start-up and also prevents the overshoot of the output voltage. For R1517xxxxB/C/D, the capacitor to create the start-up slope is built in this device that does not require any external components. The start-up time and the start-up slope angle are fixed inside the device. In R1517xxxxE/F, the soft-start time is adjustable by inserting the external capacitor to DELAY pin. By using the following equation, the relation between the soft-start time t_D [s] and DELAY pin capacitor C_D [F] is determined.

$$t_D = ((C_D + 90 \times 10^{-12}) / I_{\text{DELAY}}) \times 0.73$$

When the capacitor C_D is not used in R1517xxxxE/F, use the DELAY pin as OPEN. At that time, $C_D = 0$ in the above equation, therefore the start-up time is about 26 μs . However, be sure to consider approximately 50 μs of CE delay time.

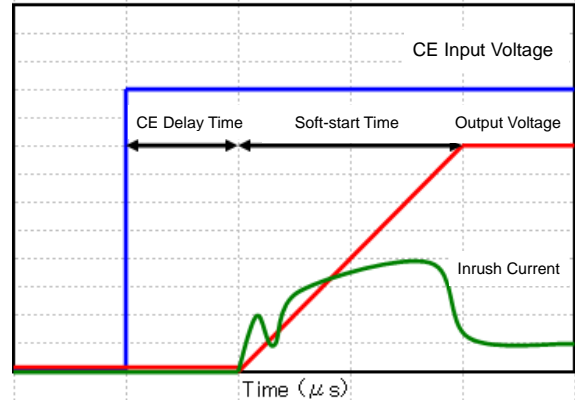
Conventional Inrush Current Limit Circuit

(Diagrammatic sketch)



Constant Slope Circuit

(Diagrammatic sketch)



PACKAGE INFORMATION

POWER DISSIPATION (HSOP-6J)

The power dissipation of the package is dependent on PCB material, layout, and environmental conditions. The following conditions are used in this measurement.

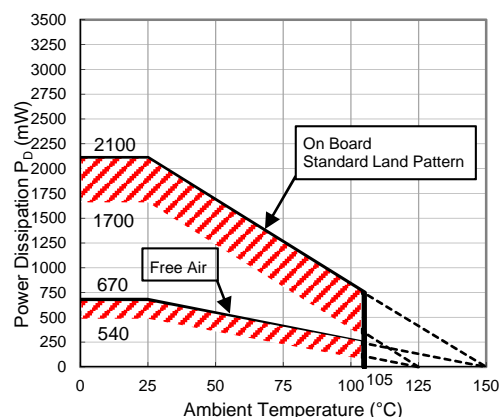
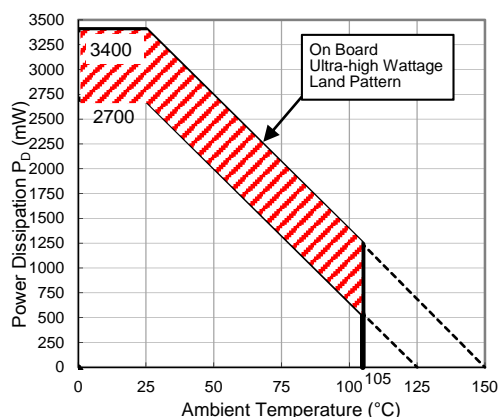
Measurement Conditions

	Ultra-high Wattage Land Pattern	Standard Land Pattern
Environment	Mounting on Board (Wind Velocity = 0 m/s)	Mounting on Board (Wind Velocity = 0 m/s)
Board Material	Glass Cloth Epoxy Plastic (Four-layer Board)	Glass Cloth Epoxy Plastic (Double-sided Board)
Board Dimensions	76.2 mm × 114.3 mm × 0.8 mm	50 mm × 50 mm × 1.6 mm
Copper Ratio	96%	50%
Through-holes	φ 0.3 mm × 28 pcs	φ 0.5 mm × 24 pcs

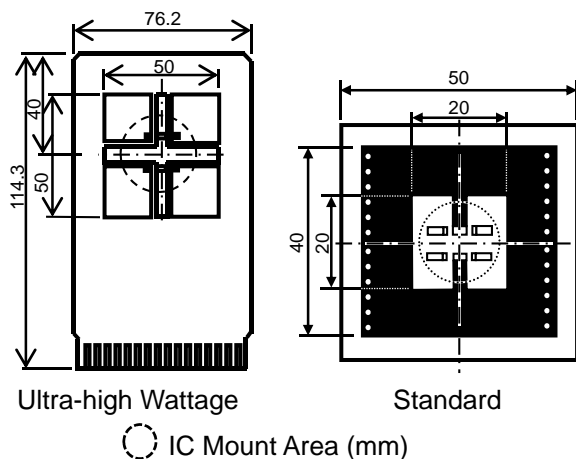
Measurement Result

($T_a = 25^\circ\text{C}$, $T_{j\text{max}} = 125^\circ\text{C}$)

	Ultra-high Wattage Land Pattern	Standard Land Pattern	Free Air
Power Dissipation	2700 mW	1700 mW	540 mW
Thermal Resistance	37°C/W	59°C/W	185°C/W



Power Dissipation vs. Ambient Temperature

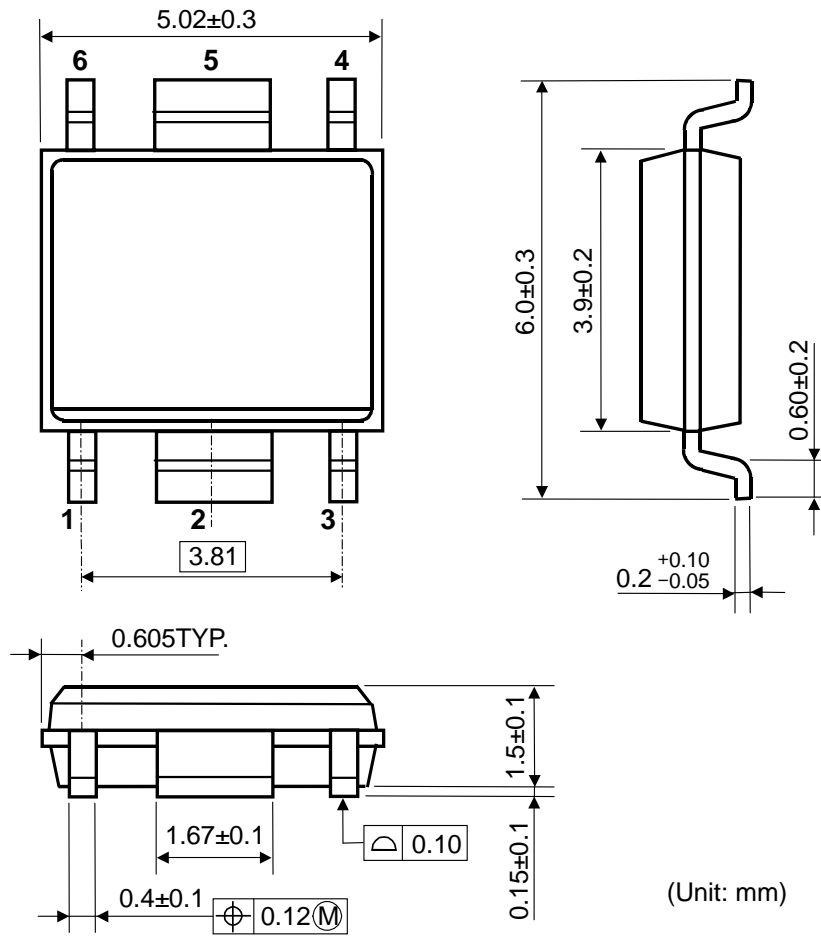


Measurement Board Pattern

The above graph shows the power dissipation of the package at $T_{j\text{max}} = 125^\circ\text{C}$ and $T_{j\text{max}} = 150^\circ\text{C}$. Operating the device in the hatched range might have a negative influence on its lifetime. The total hours of use and the total years of use must be limited as follows:

Total Hours of Use	Total Years of Use (4 hours/day)
13,000 hours	9 years

PACKAGE DIMENSIONS (HSOP-6J)

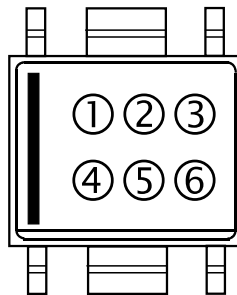


HSOP-6J Package Dimensions

MARK SPECIFICATION (HSOP-6J)

①②③④: Product Code ... Refer to R1517S MARK SPECIFICATION TABLE

⑤⑥: Lot Number ... Alphanumeric Serial Number



HSOP-6J Mark Specification

R1517S MARK SPECIFICATION TABLE (HSOP-6J)

R1517Sxx1B

Product Name	①②③④	V _{SET}
R1517S252B	V 1 2 5	2.5 V
R1517S332B	V 1 3 3	3.3 V
R1517S342B	V 1 3 4	3.4 V
R1517S502B	V 1 5 0	5.0 V
R1517S852B	V 1 8 5	8.5 V

R1517S001C

Product Name	①②③④	V _{SET}
R1517S001C	V 2 0 1	—

R1517Sxx1D

Product Name	①②③④	V _{SET}
R1517S252D	V 3 2 5	2.5 V
R1517S332D	V 3 3 3	3.3 V
R1517S342D	V 3 3 4	3.4 V
R1517S502D	V 3 5 0	5.0 V
R1517S852D	V 3 8 5	8.5 V

R1517Sxx1E

Product Name	①②③④	V _{SET}
R1517S251E	V 4 2 5	2.5 V
R1517S331E	V 4 3 3	3.3 V
R1517S341E	V 4 3 4	3.4 V
R1517S501E	V 4 5 0	5.0 V
R1517S851E	V 4 8 5	8.5 V

R1517Sxx1F

Product Name	①②③④	V _{SET}
R1517S251F	V 5 2 5	2.5 V
R1517S331F	V 5 3 3	3.3 V
R1517S341F	V 5 3 4	3.4 V
R1517S501F	V 5 5 0	5.0 V
R1517S851F	V 5 8 5	8.5 V

R1517x

NO. EA-304-170112

POWER DISSIPATION (TO-252-5-P2)

Power Dissipation (P_D) depends on conditions of mounting on board. This specification is based on the measurement at the condition below:

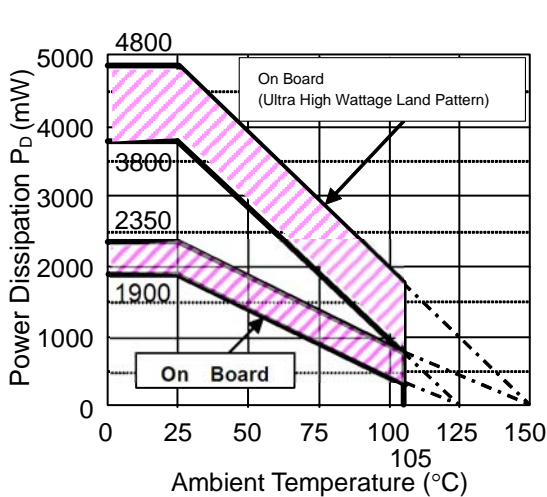
Measurement Conditions

	Ultra High Wattage Land Pattern	Standard Land Pattern
Environment	Mounting on board (Wind velocity 0 m/s)	
Board Material	Glass cloth epoxy plastic (Four-layers)	Glass cloth epoxy plastic (Double layers)
Board Dimensions	76.2 mm x 114.3 mm x 0.8 mm	50 mm x 50 mm x 1.6 mm
Copper Ratio	Top, Back side: Approx. 96%, 2nd, 3rd: 100%	Top side: Approx. 50%, Back side: Approx. 50%
Through - hole	ϕ 0.4 mm x 30 pcs	ϕ 0.5 mm x 24 pcs

Measurement Result

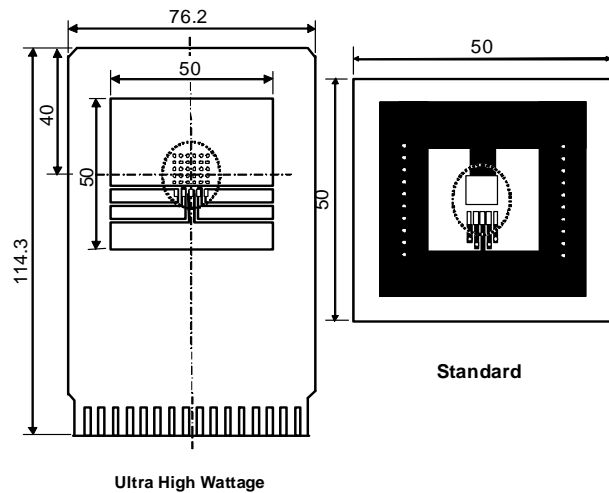
($T_a = 25^\circ\text{C}$, $T_{j\text{max}} = 125^\circ\text{C}$)

	Ultra High Wattage Land Pattern	Standard Land Pattern
Power Dissipation	3800 mW	1900 mW
Thermal Resistance	$\theta_{ja} = (125-25^\circ\text{C})/3.8 \text{ W} = 26^\circ\text{C/W}$	$\theta_{ja} = (125-25^\circ\text{C})/1.9 \text{ W} = 53^\circ\text{C/W}$
	$\theta_{jc} = 7^\circ\text{C/W}$	$\theta_{jc} = 17^\circ\text{C/W}$



Power Dissipation

Power Dissipation vs. Ambience Temperature



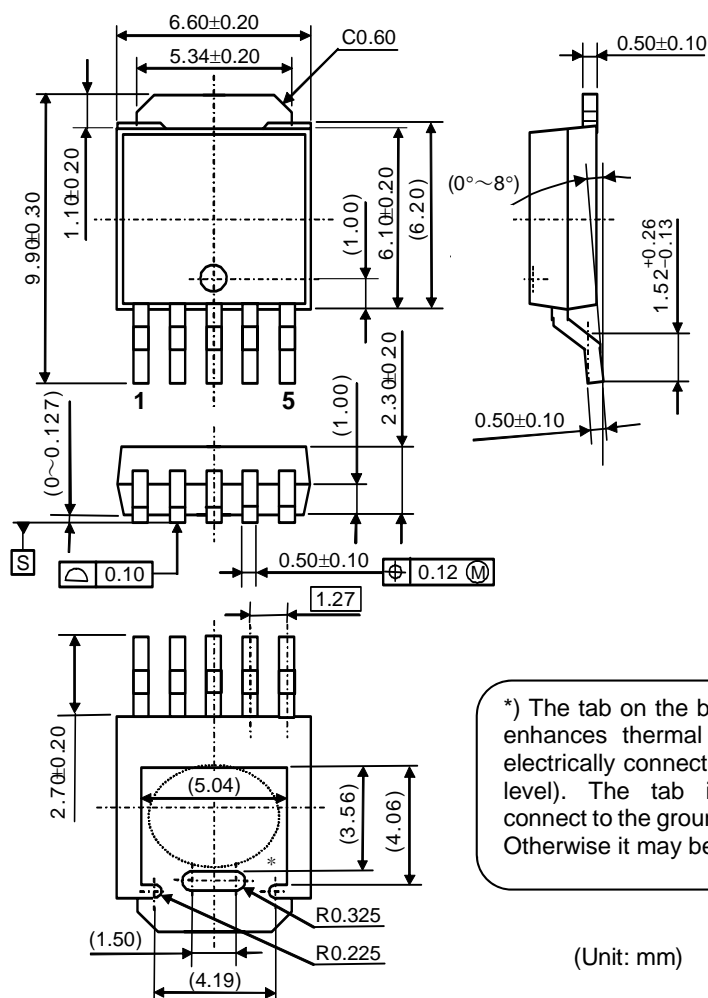
IC Mount Area (Unit: mm)

Measurement Board Pattern

The above graph shows the Power Dissipation of the package based on $T_{j\text{max}}=125^\circ\text{C}$ and $T_{j\text{max}}=150^\circ\text{C}$. Operating the IC in the shaded area in the graph might have an influence its lifetime. Operating time must be within the time limit described in the table below, in case of operating in the shaded area.

Operating Time	Estimated years(Operating four hours/day)
13,000 hours	9years

PACKAGE DIMENSIONS (TO-252-5-P2)

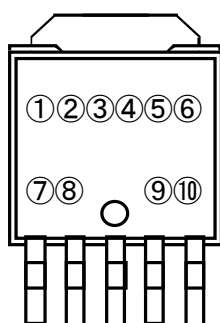


TO-252-5-P2 Package Dimensions

MARK SPECIFICATION (TO-252-5-P2)

①②③④⑤⑥⑦⑧: Product Code ... **Refer to R1517J MARK SPECIFICATION TABLE**

⑨⑩: Lot Number ... Alphanumeric Serial Number



TO-252-5-P2 Mark Specification

R1517xNO. EA-304-170112

R1517J MARK SPECIFICATION TABLE (TO-252-5-P2)**R1517Jxx1B**

Product Name	①②③④⑤⑥⑦⑧	V _{SET}
R1517J251B	K 1 J 2 5 1 B	2.5 V
R1517J331B	K 1 J 3 3 1 B	3.3 V
R1517J341B	K 1 J 3 4 1 B	3.4 V
R1517J501B	K 1 J 5 0 1 B	5.0 V
R1517J851B	K 1 J 8 5 1 B	8.5 V

R1517J001C (Adjustable Output Voltage Setting Type)

Product Name	①②③④⑤⑥⑦⑧	V _{SET}
R1517J001C	K 2 J 0 0 1 C	—

R1517Jxx1D

Product Name	①②③④⑤⑥⑦⑧	V _{SET}
R1517J251D	K 3 J 2 5 1 D	2.5 V
R1517J331D	K 3 J 3 3 1 D	3.3 V
R1517J341D	K 3 J 3 4 1 D	3.4 V
R1517J501D	K 3 J 5 0 1 D	5.0 V
R1517J851D	K 3 J 8 5 1 D	8.5 V

R1517Jxx1E

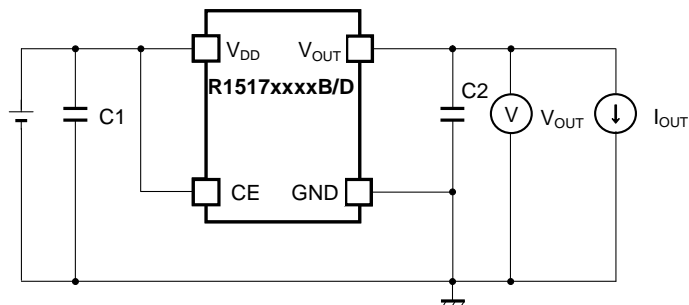
Product Name	①②③④⑤⑥⑦⑧	V _{SET}
R1517J251E	K 4 J 2 5 1 E	2.5 V
R1517J331E	K 4 J 3 3 1 E	3.3 V
R1517J341E	K 4 J 3 4 1 E	3.4 V
R1517J501E	K 4 J 5 0 1 E	5.0 V
R1517J851E	K 4 J 8 5 1 E	8.5 V

R1517Jxx1F

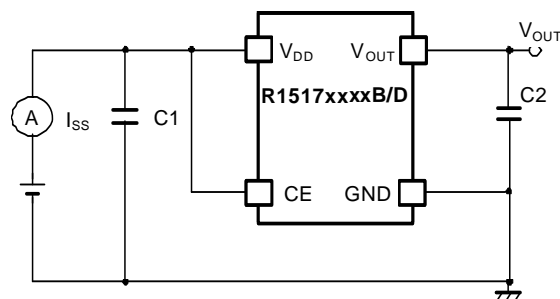
Product Name	①②③④⑤⑥⑦⑧	V _{SET}
R1517J251F	K 5 J 2 5 1 F	2.5 V
R1517J331F	K 5 J 3 3 1 F	3.3 V
R1517J341F	K 5 J 3 4 1 F	3.4 V
R1517J501F	K 5 J 5 0 1 F	5.0 V
R1517J851F	K 5 J 8 5 1 F	8.5 V

TEST CIRCUITS

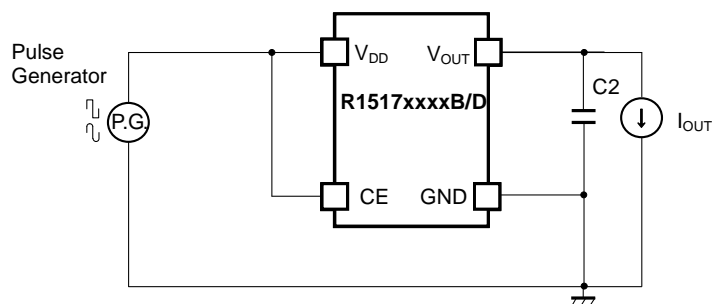
Soft-start Internal Fixed Type (R1517xxxxB/D)



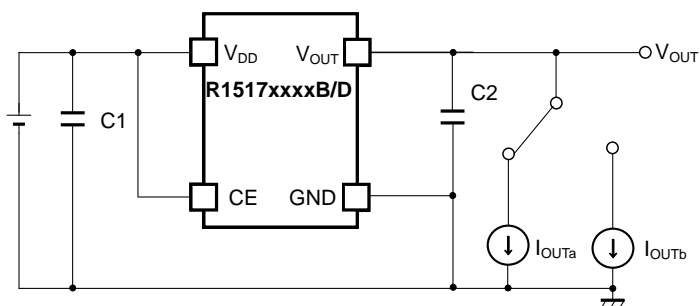
R1517xxxxB/D Basic Test Circuit



R1517xxxxB/D Supply Current Test Circuit



R1517xxxxB/D Ripple Rejection Test Circuit

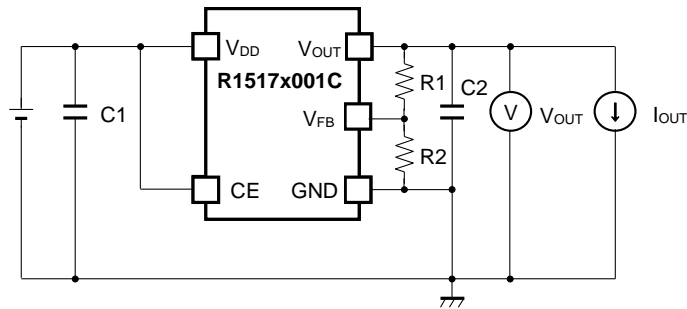


R1517xxxxB/D Load Transient Response Test Circuit

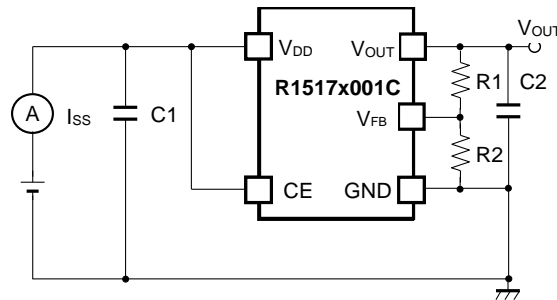
R1517x

NO. EA-304-170112

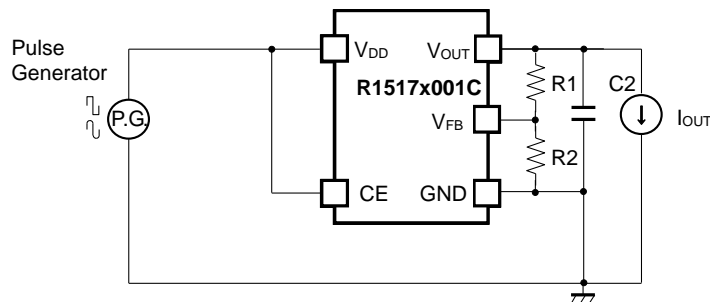
Adjustable Output Voltage Setting Type (R1517x001C)



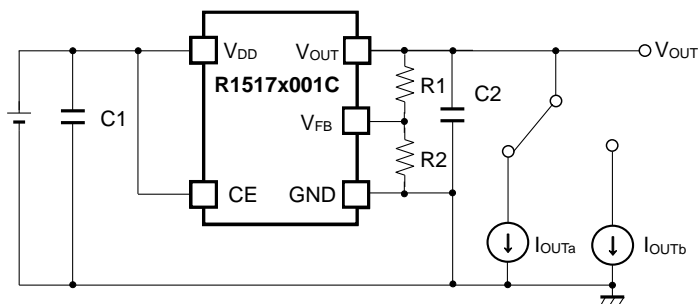
R1517x001C Basic Test Circuit



R1517x001C Supply Current Test Circuit



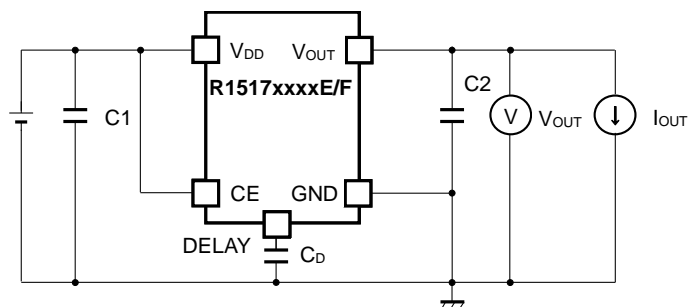
R1517x001C Ripple Rejection Test Circuit



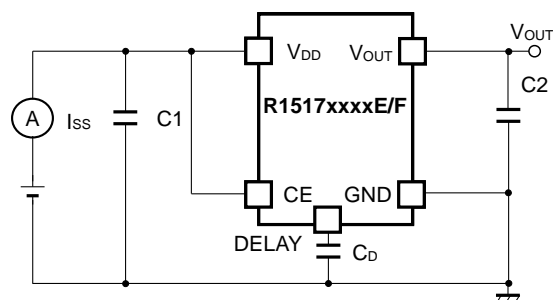
R1517x001C Load Transient Response Test Circuit

Note: Refer to *Adjustable Output Voltage Setting* for R₁ and R₂.

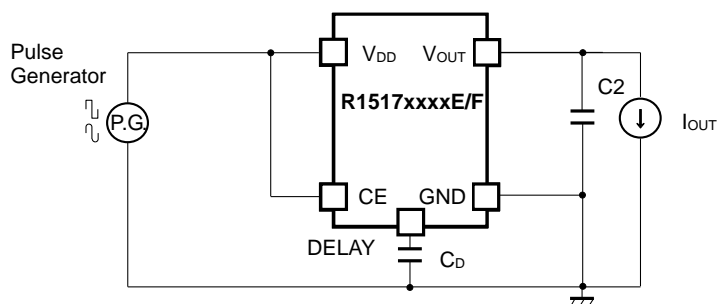
Adjustable Soft-start Setting Type (R1517xxxxE/F)



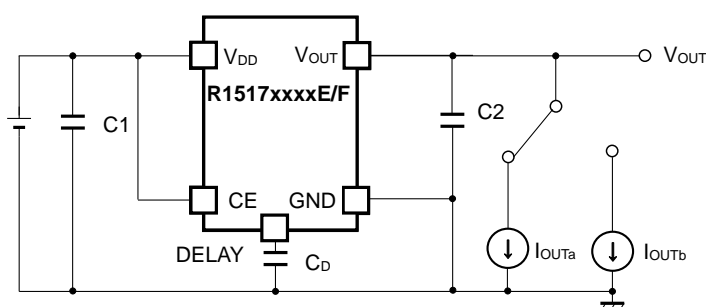
R1517xxxxE/F Basic Test Circuit



R1517xxxxE/F Supply Current Test Circuit



R1517xxxxE/F Ripple Rejection Test Circuit



R1517xxxxE/F Load Transient Response Test Circuit

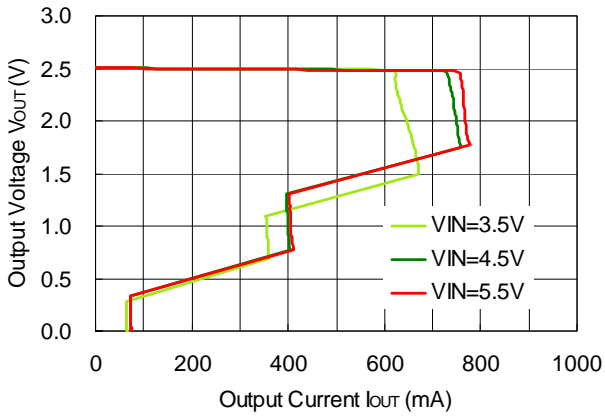
Note: Refer to *Soft-start Function* for detailed information on C_D.

TYPICAL CHARACTERISTICS

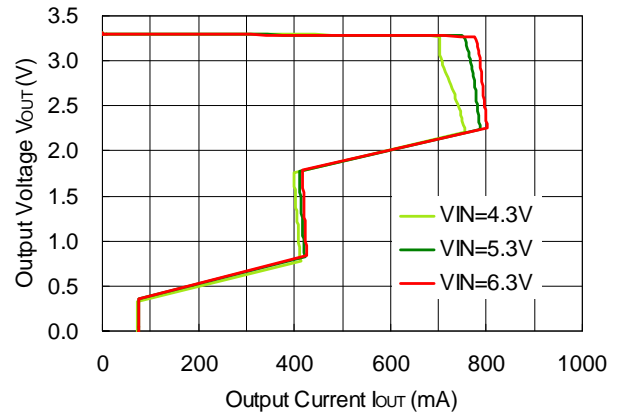
Note: Typical Characteristics are intended to be used as reference data; they are not guaranteed.

1) Output Voltage vs. Output Current (Ta = 25°C)

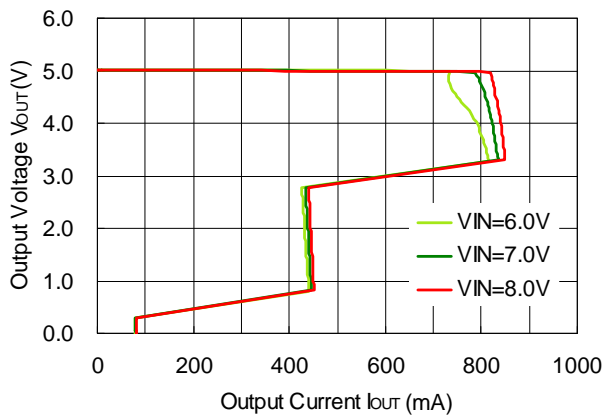
R1517x25xx, R1517x001C



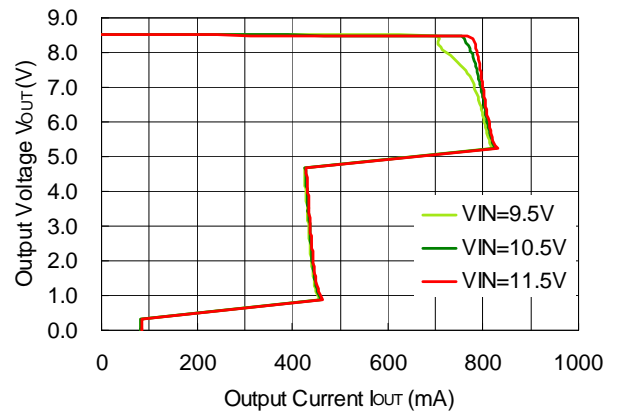
R1517x33xx



R1517x50xx

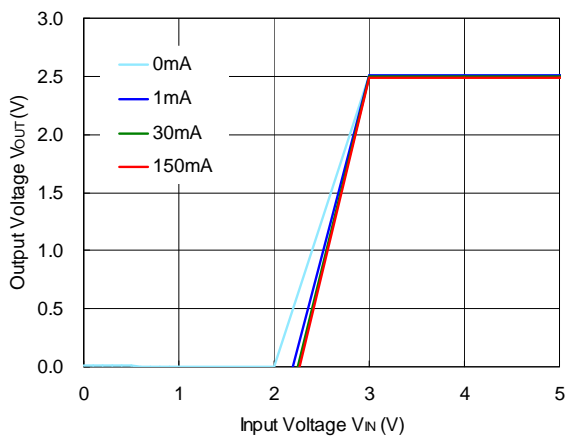


R1517x85xx

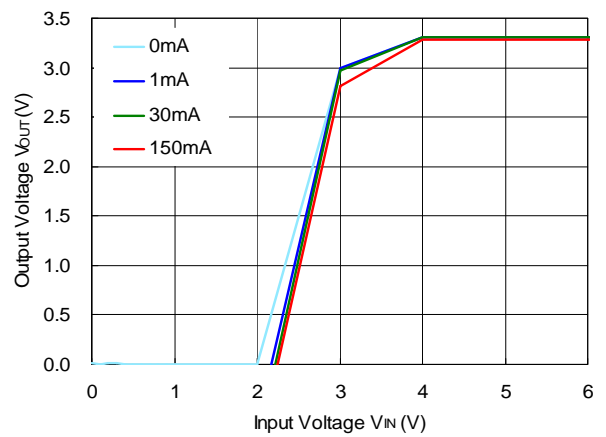


2) Output Voltage vs. Input Voltage (Ta = 25°C)

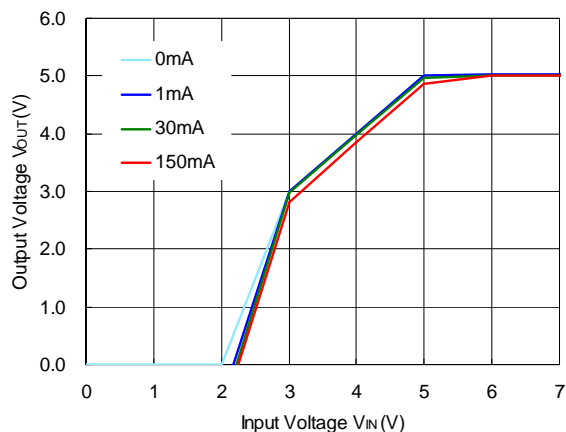
R1517x25xx



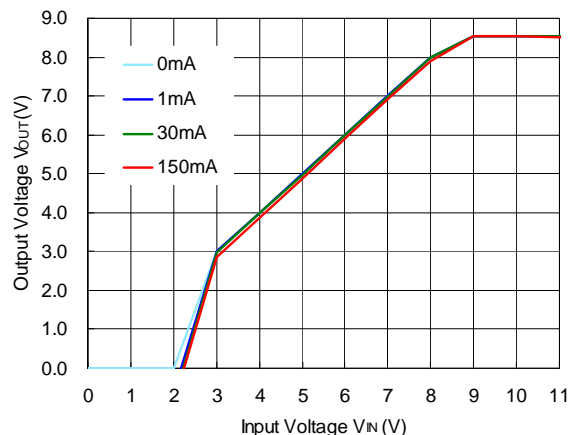
R1517x33xx



R1517x50xx

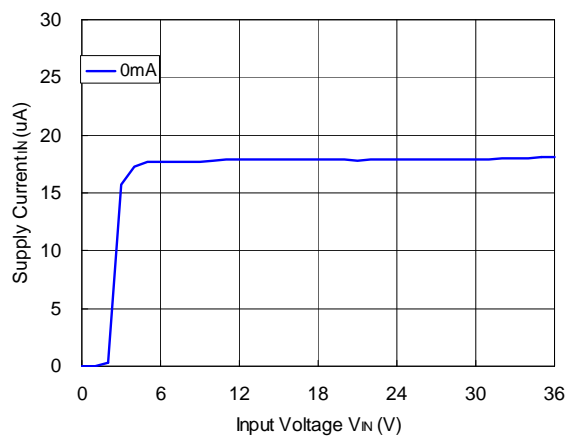


R1517x85xx

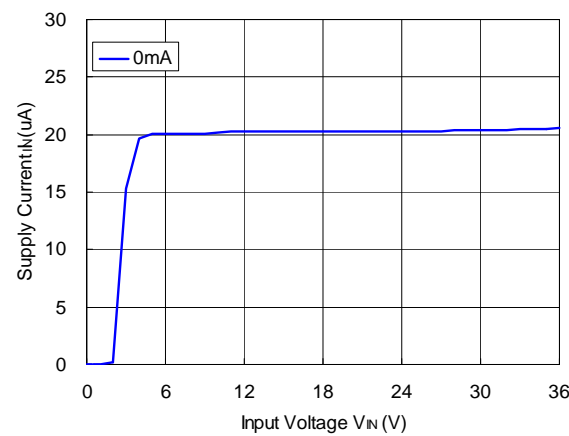


3) Supply Current vs. Input Voltage

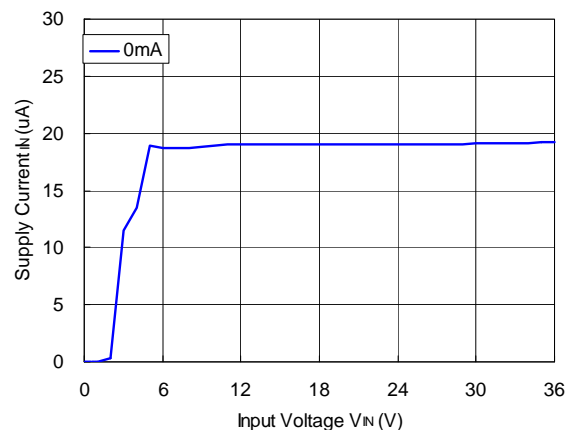
R1517x25xx, R1517x001C



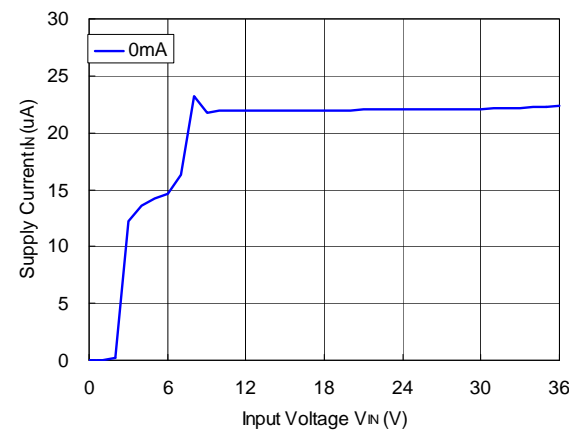
R1517x33xx



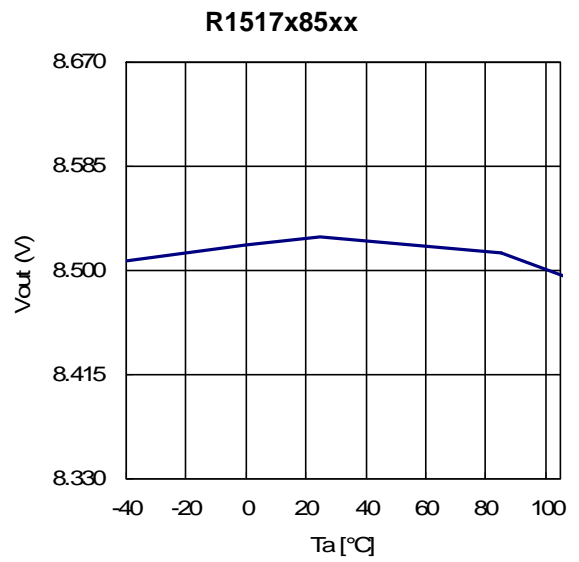
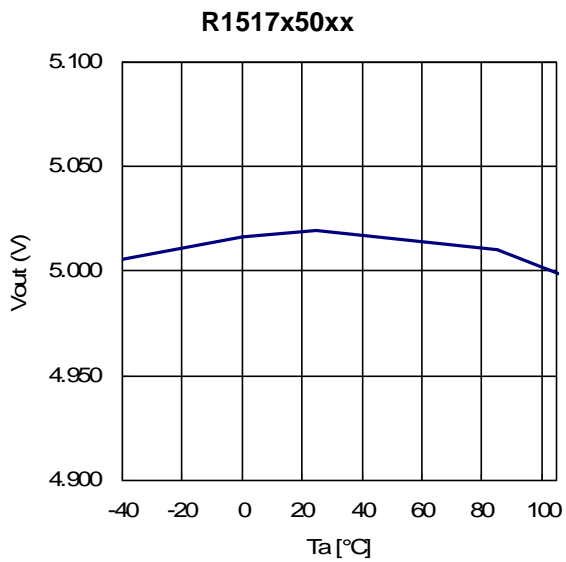
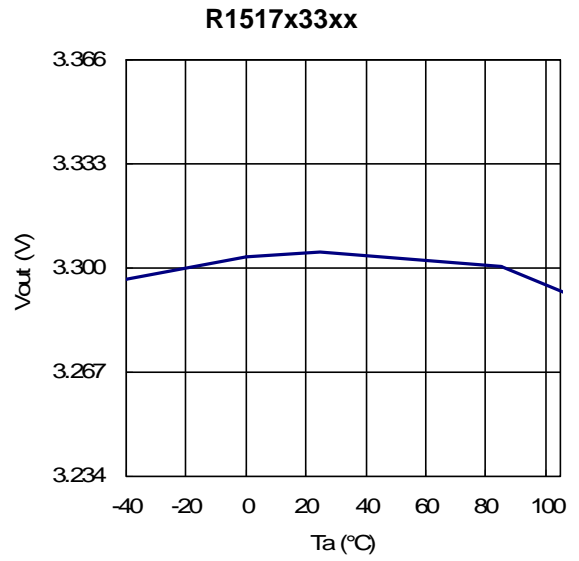
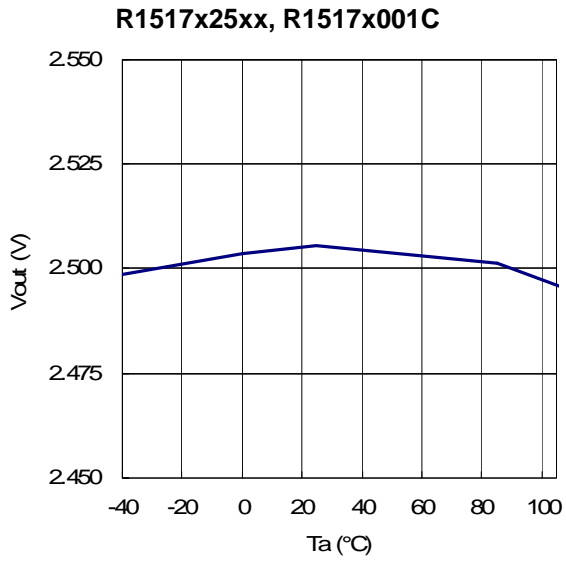
R1517x50xx



R1517x85xx

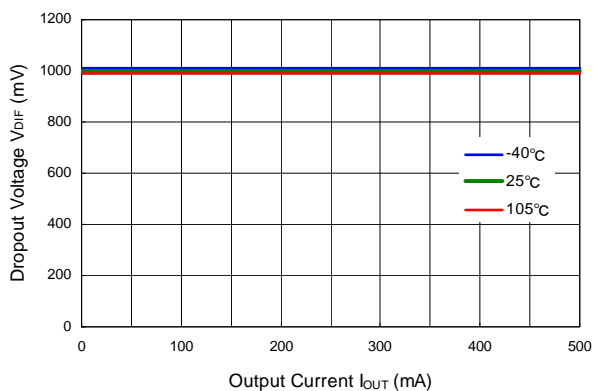


4) Output Voltage vs. Operating Temperature

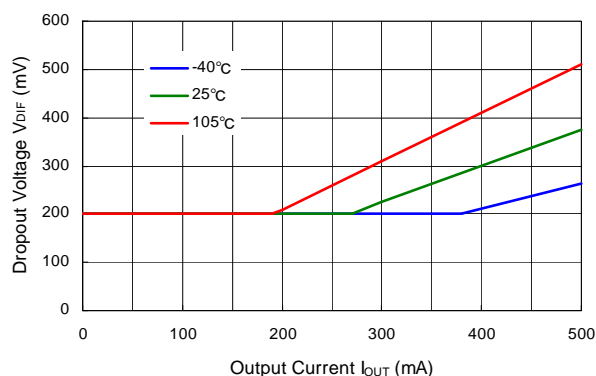


5) Dropout Voltage vs. Output Current

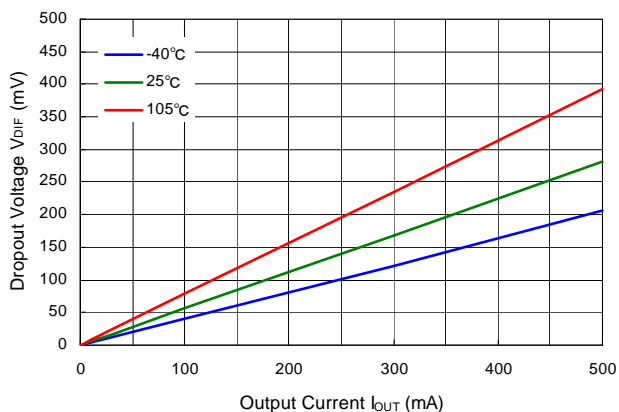
R1517x25xx, R151x001C



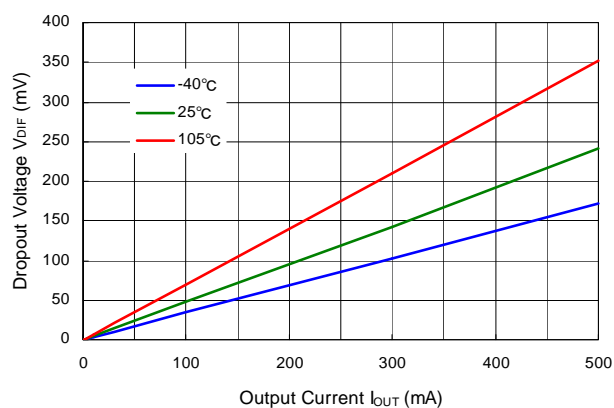
R1517x33xx



R1517x50xx

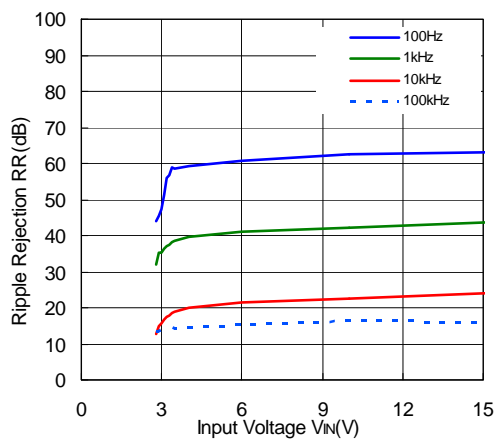


R1517x85xx

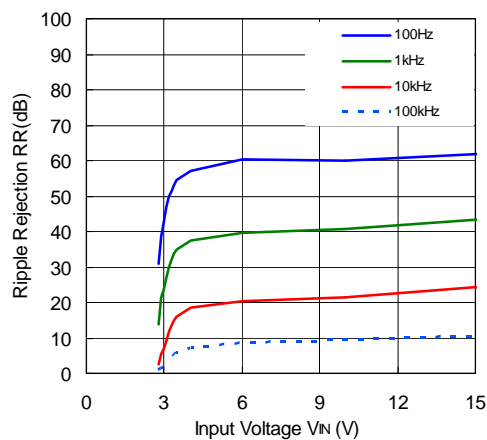


6) Ripple Rejection vs. Input Voltage (Ta = 25°C, Ripple = 0.5 Vpp)

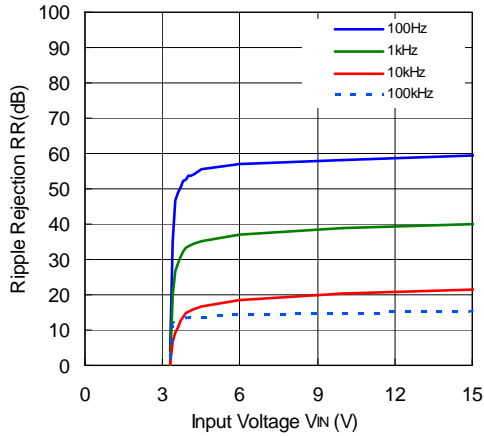
R1517x25xx, R1517x001C (I_OUT = 1 mA)



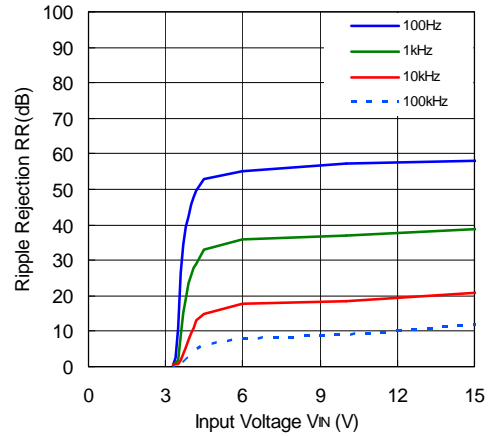
R1517x25xx, R1517x001C (I_OUT = 150 mA)



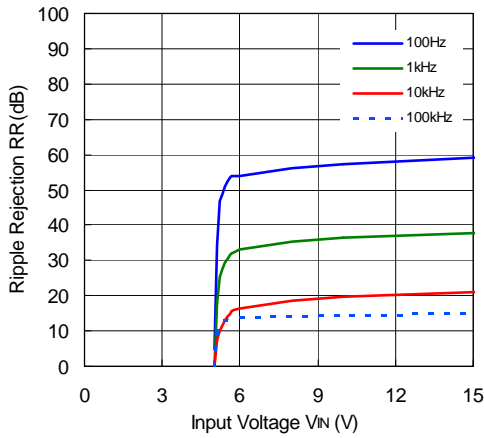
R1517x33xx (I_{OUT} = 1 mA)



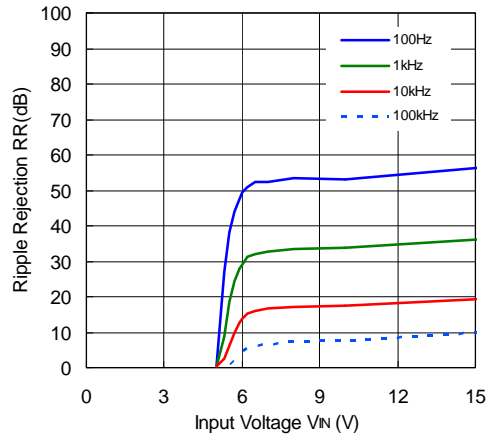
R1517x33xx (I_{OUT} = 150 mA)



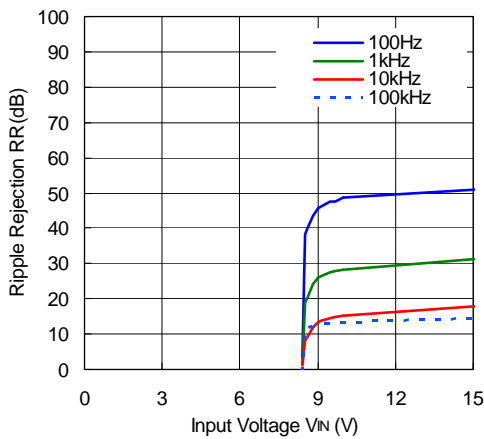
R1517x50xx (I_{OUT} = 1 mA)



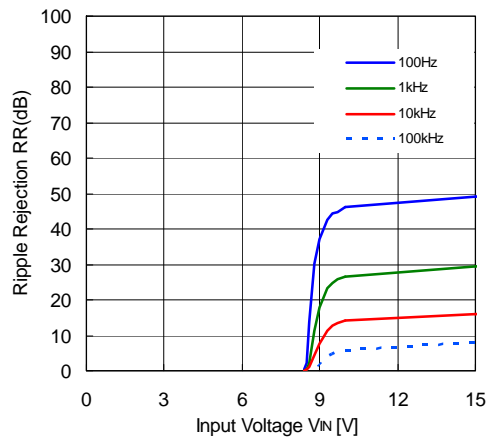
R1517x50xx (I_{OUT} = 150 mA)



R1517x85xx (I_{OUT} = 1 mA)

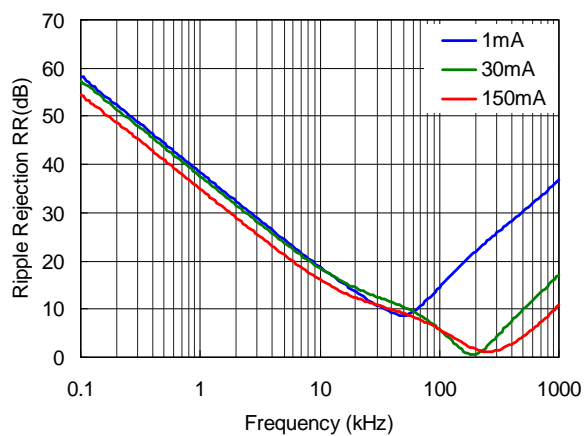


R1517x85xx (I_{OUT} = 150 mA)

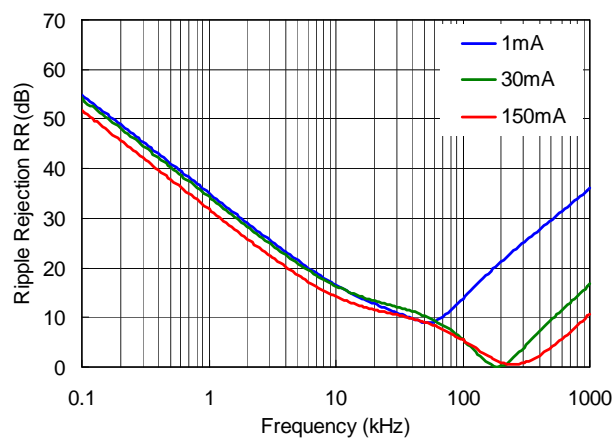


7) Ripple Rejection vs. Frequency ($T_a = 25^\circ\text{C}$, Ripple = 0.5 Vpp)

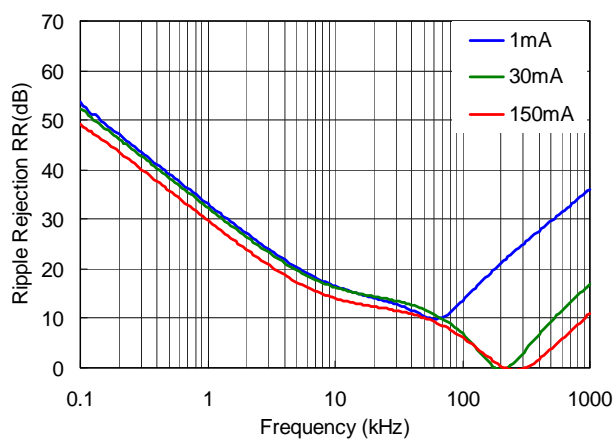
R1517x25xx, R1517x001C



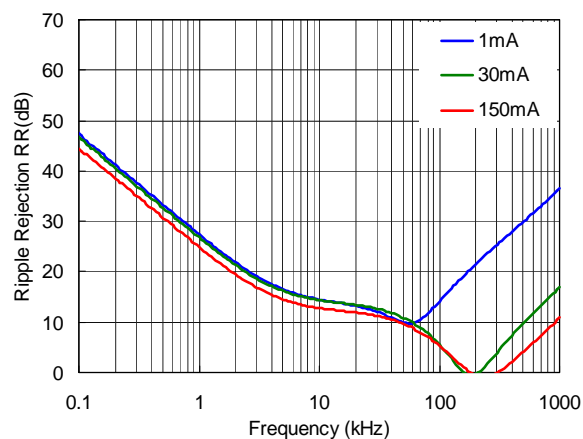
R1517x33xx



R1517x50xx

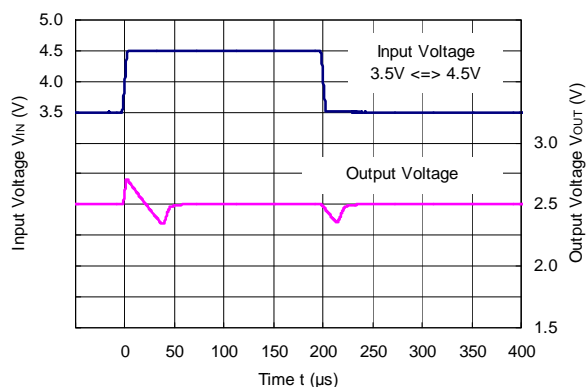


R1517x85xx

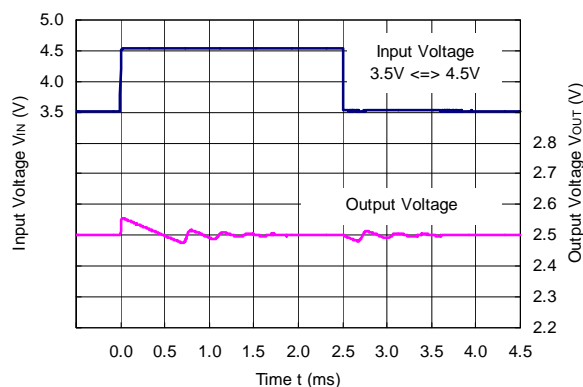


8) Input Transient Response ($T_a = 25^\circ\text{C}$, $I_{OUT} = 1\text{ mA}$, $t_r = t_f = 5\ \mu\text{s}$)

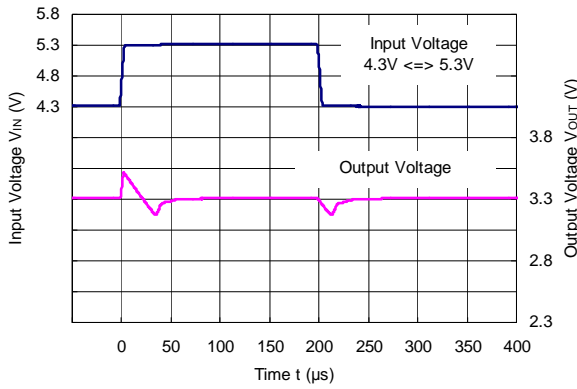
R1517x25xx, R1517x001C ($C_2 = 0.1\ \mu\text{F}$)



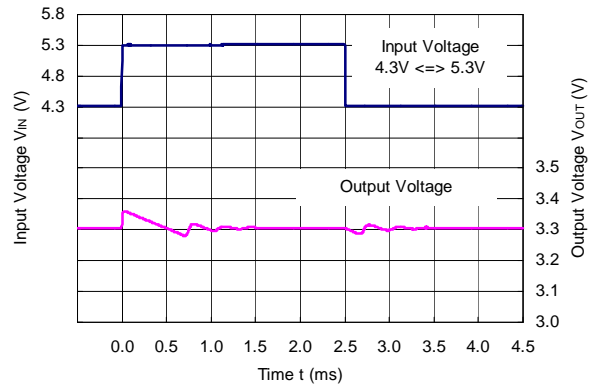
R1517x25xx, R1517x001C ($C_2 = 10\ \mu\text{F}$)



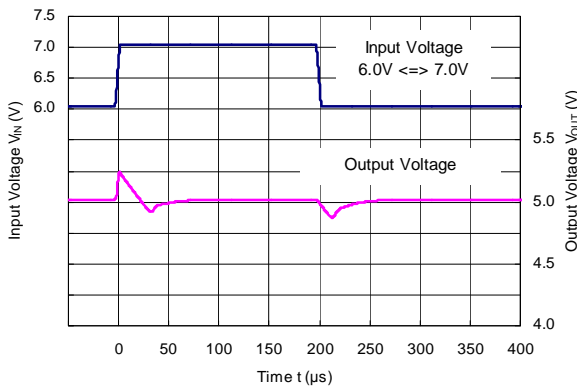
R1517x33xx (C2 = 0.1 μ F)



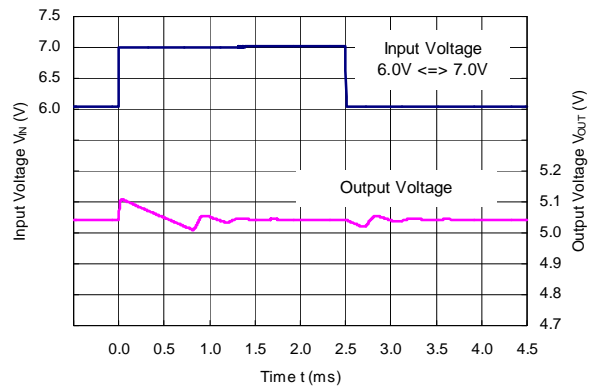
R1517x33xx (C2 = 10 μ F)



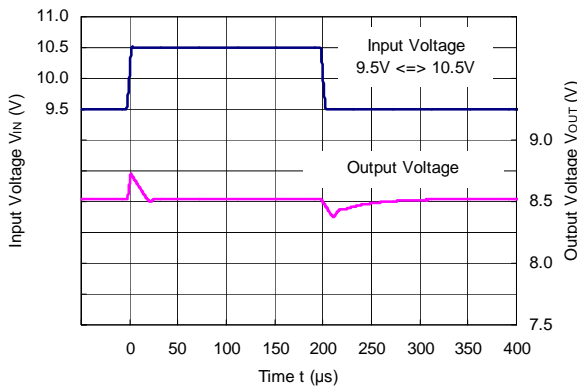
R1517x50xx (C2 = 0.1 μ F)



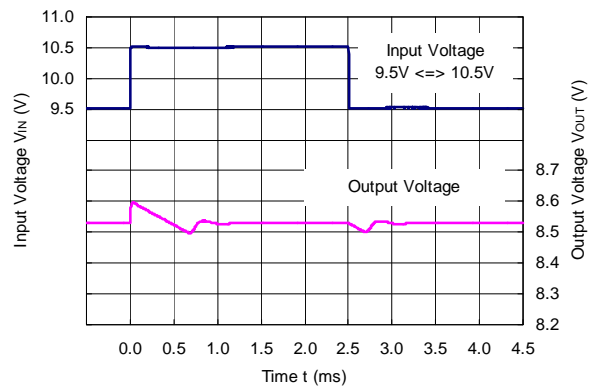
R1517x50xx (C2 = 10 μ F)



R1517x85xx (C2 = 0.1 μ F)

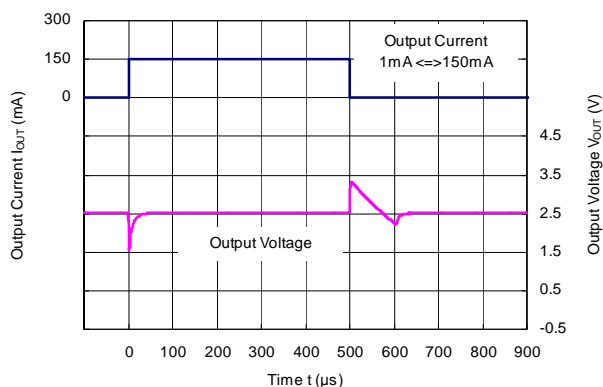


R1517x85xx (C2 = 10 μ F)

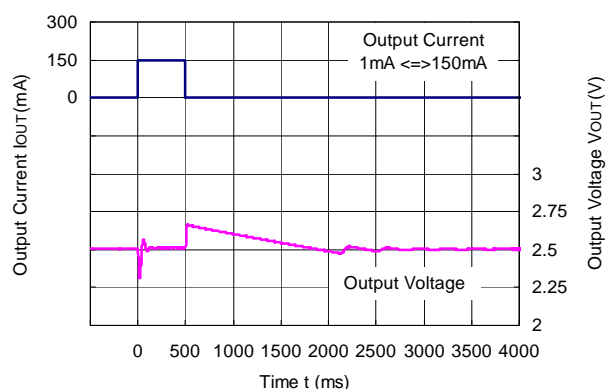


9) Load Transient Response ($T_a = 25^\circ\text{C}$, $V_{IN} = V_{OUT} + 1.0\text{ V}$, $t_r = t_f = 0.5\ \mu\text{s}$)

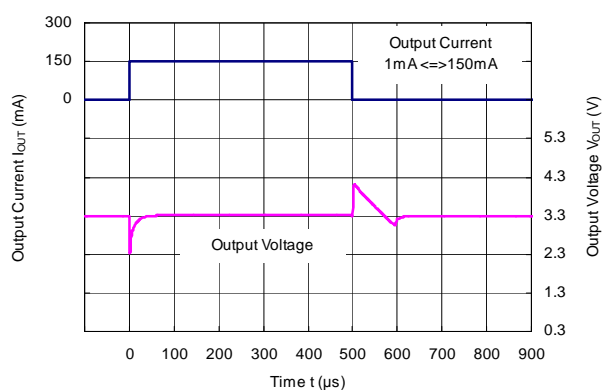
R1517x25xx, R1517x001C ($C_2 = 0.1\ \mu\text{F}$)



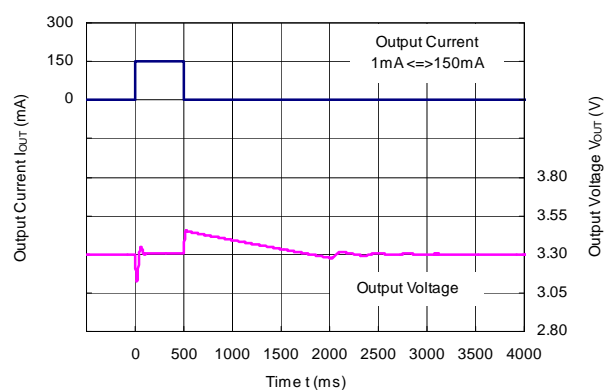
R1517x25xx, R1517x001C ($C_2 = 10\ \mu\text{F}$)



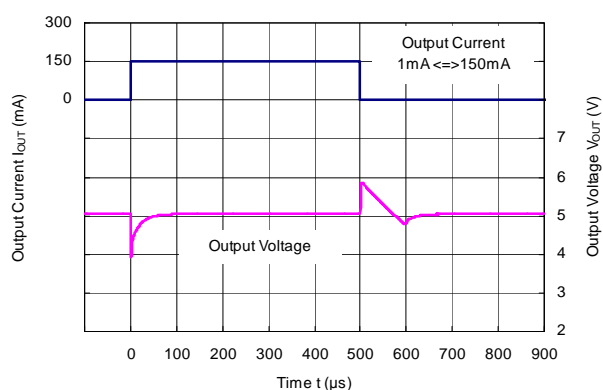
R1517x33xx ($C_2 = 0.1\ \mu\text{F}$)



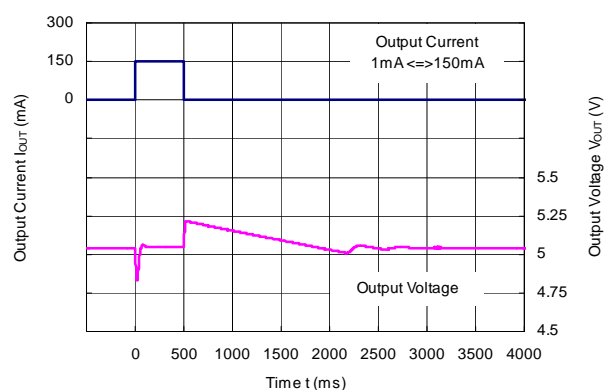
R1517x33xx ($C_2 = 10\ \mu\text{F}$)



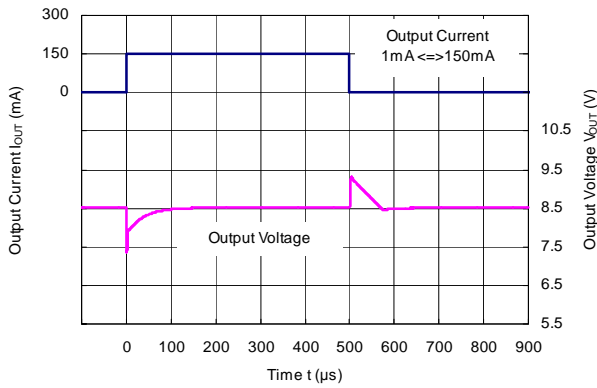
R1517x50xx ($C_2 = 0.1\ \mu\text{F}$)



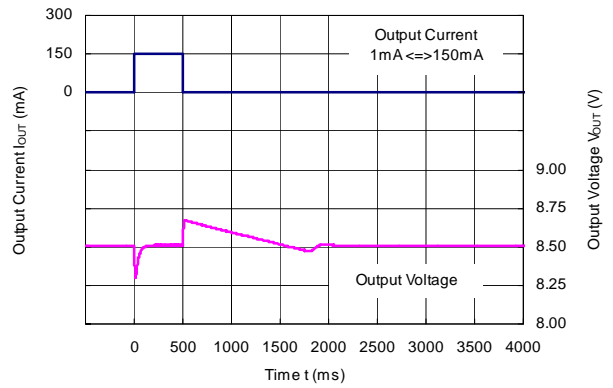
R1517x50xx ($C_2 = 10\ \mu\text{F}$)



R1517x85xx (C2 = 0.1 μF)

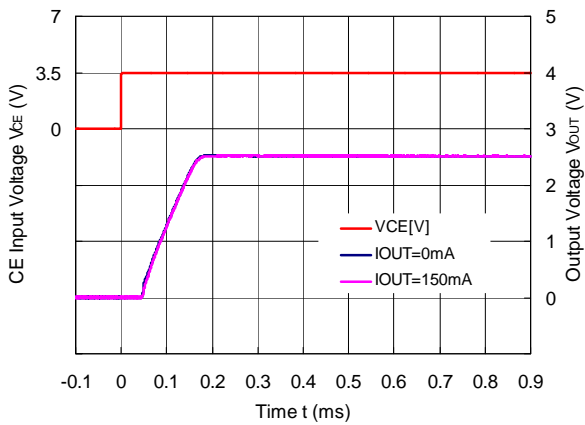


R1517x85xx (C2 = 10 μF)

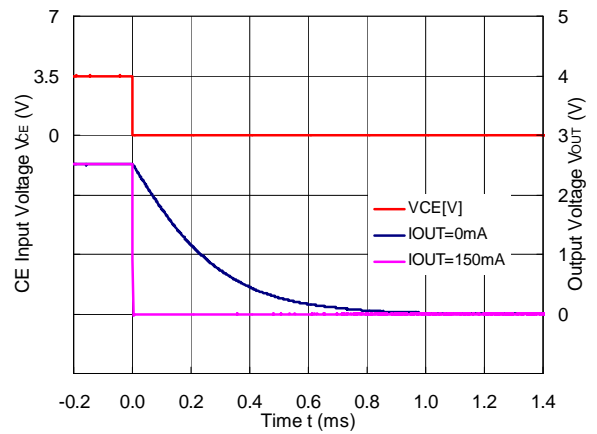


10) CE Transient Response (Ta = 25°C, IOUT = 1 mA)

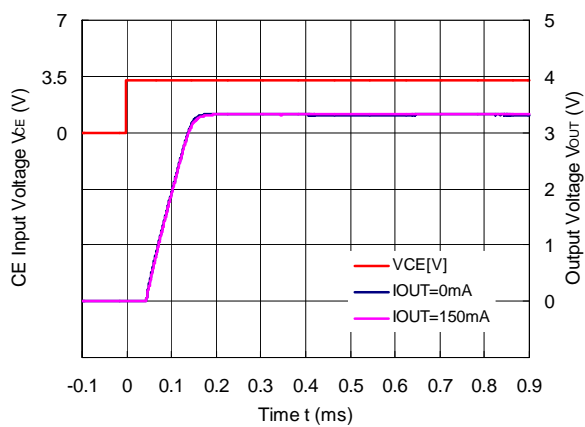
R1517x25xB/D, R1517x001C (C2 = 0.1 μF)



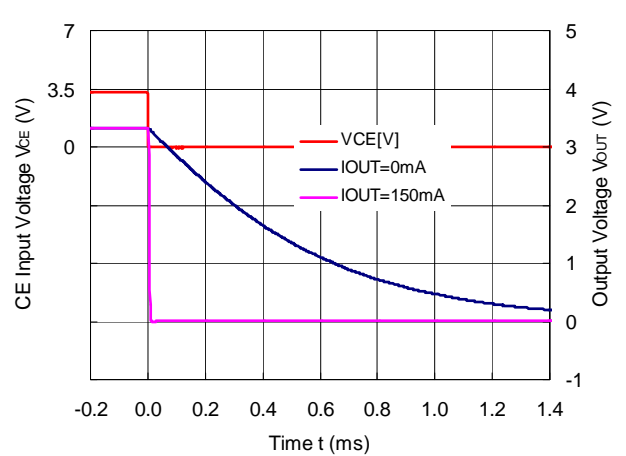
R1517x25xD (C2 = 0.1 μF)



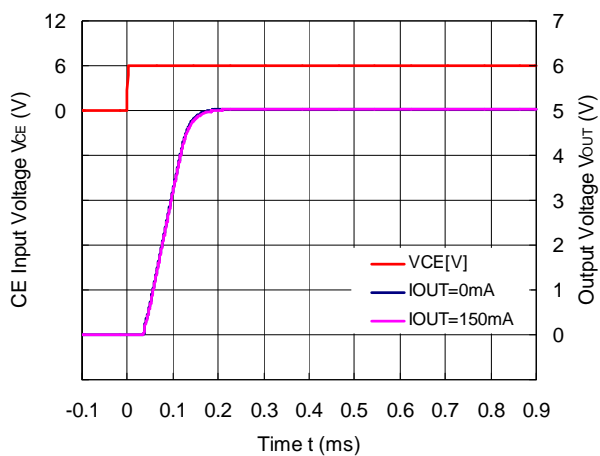
R1517x33xB/D (C2 = 0.1 μF)



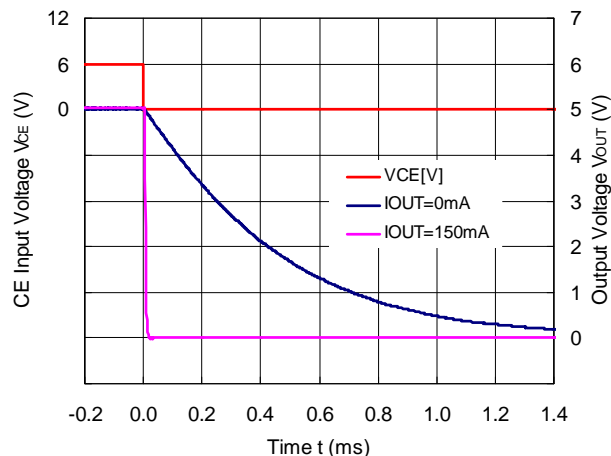
R1517x33xD (C2 = 0.1 μF)



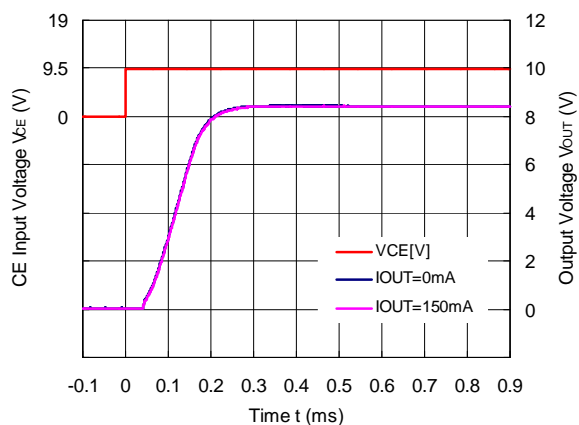
R1517x50xB/D (C2 = 0.1 μF)



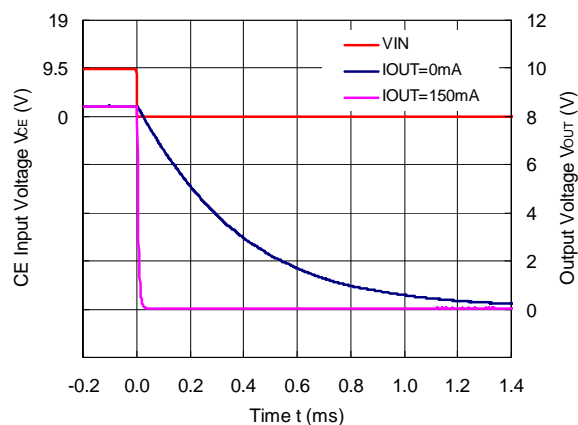
R1517x50xD (C2 = 0.1 μF)



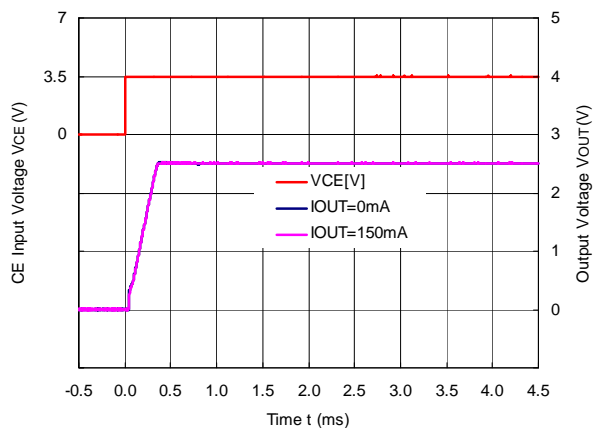
R1517x85xB/D (C2 = 0.1 μF)



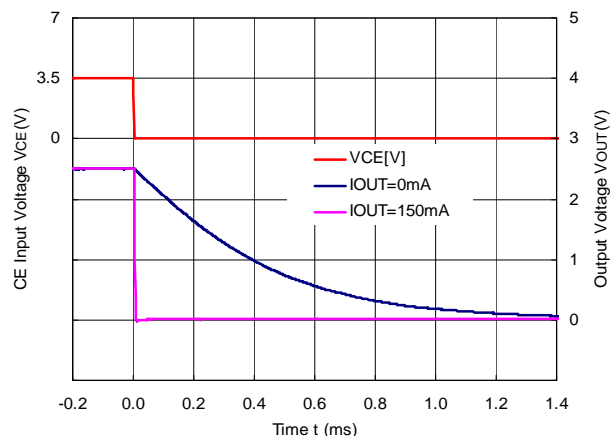
R1517x85xD (C2 = 0.1 μF)



R1517x25xE/F (C2 = 0.1 μF, CD = 1 nF)



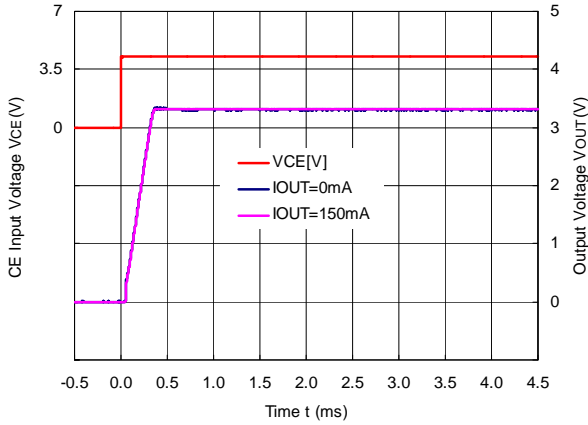
R1517x25xF (C2 = 0.1 μF, CD = 1 nF)



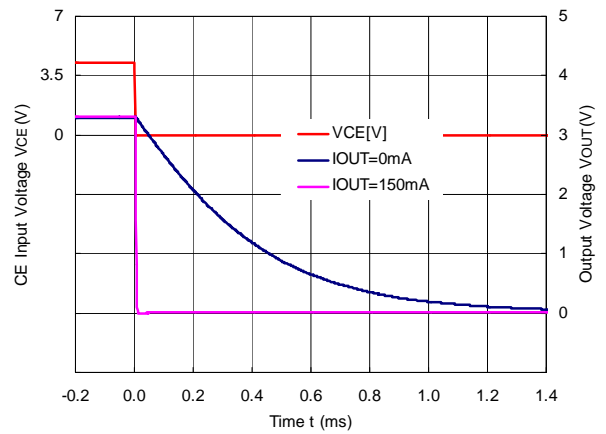
R1517x

NO. EA-304-170112

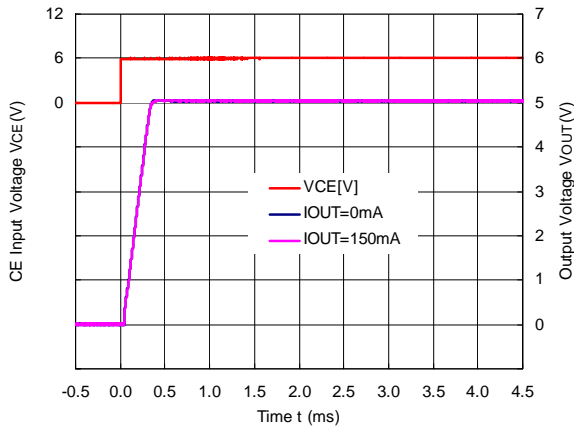
R1517x33xE/F (C2 = 0.1 μ F, C_D = 1 nF)



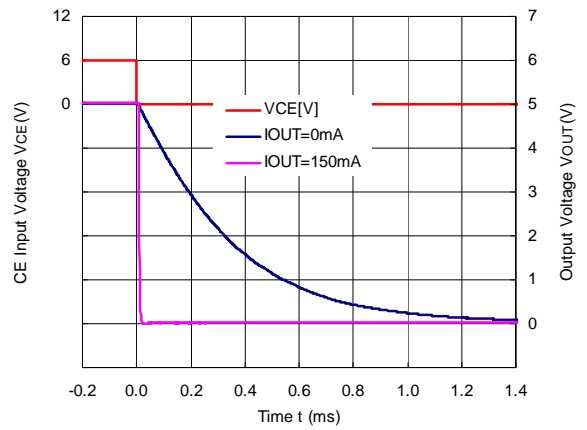
R1517x33xF (C2 = 0.1 μ F, C_D = 1 nF)



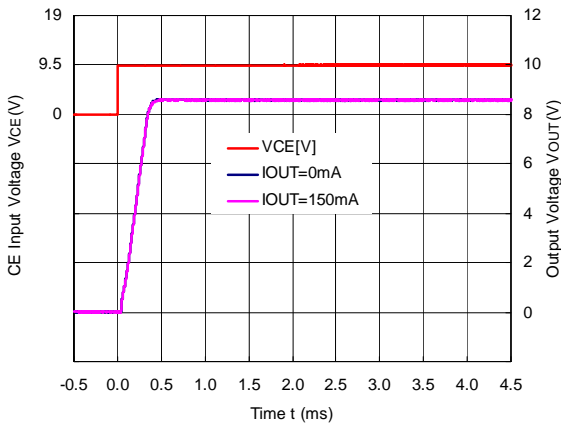
R1517x50xE/F (C2 = 0.1 μ F, C_D = 1 nF)



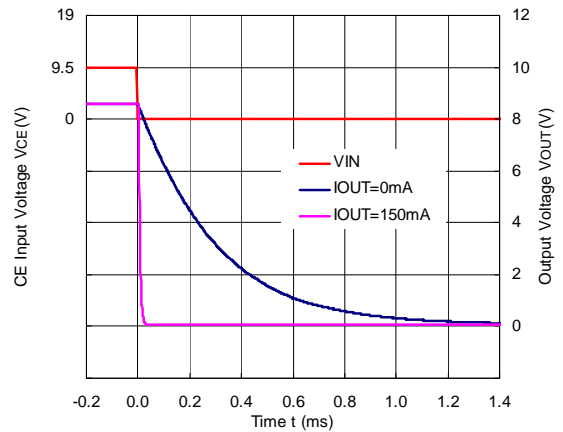
R1517x50xF (C2 = 0.1 μ F, C_D = 1 nF)



R1517x85xE/F (C2 = 0.1 μ F, C_D = 1 nF)

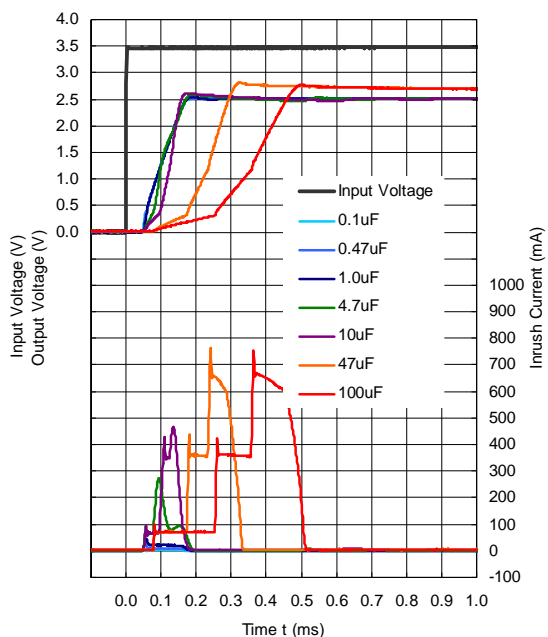


R1517x85xF (C2 = 0.1 μ F, C_D = 1 nF)

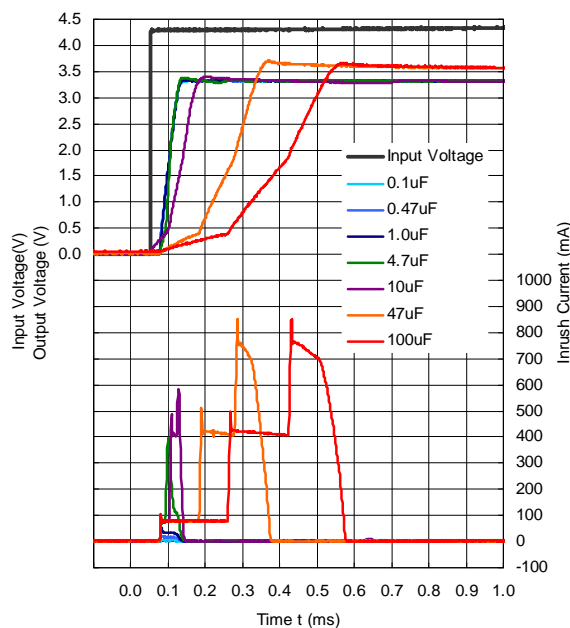


11) Inrush Current Prevention Circuit (Ta = 25°C, I_{OUT} = 1 mA)

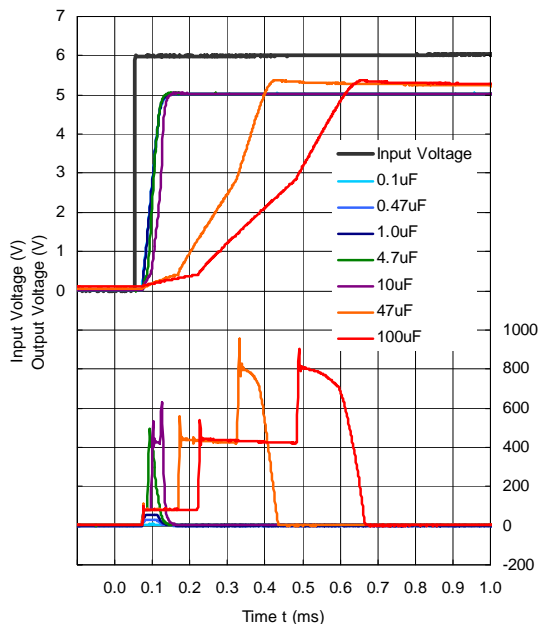
R1517x25xB/D, R1517x001C



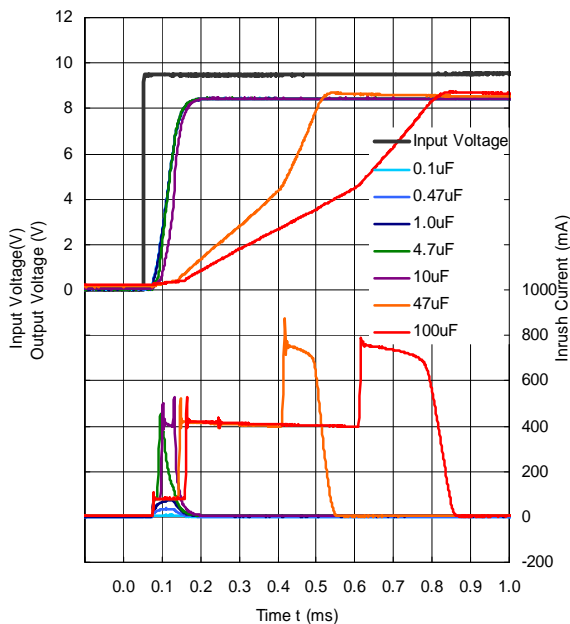
R1517x33xB/D



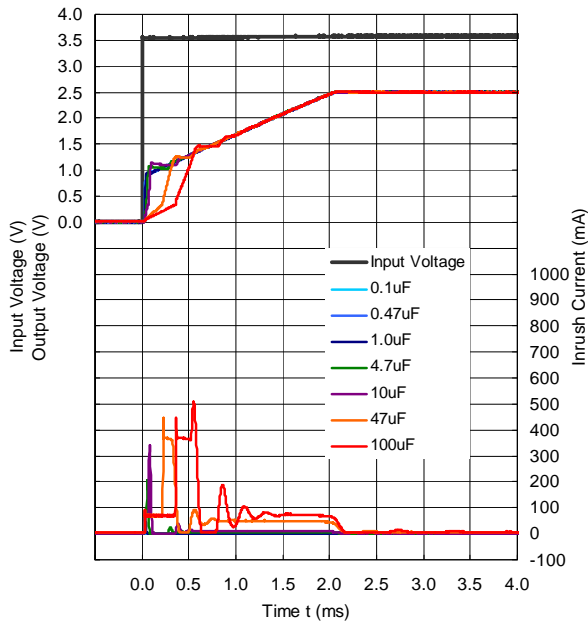
R1517x50xB/D



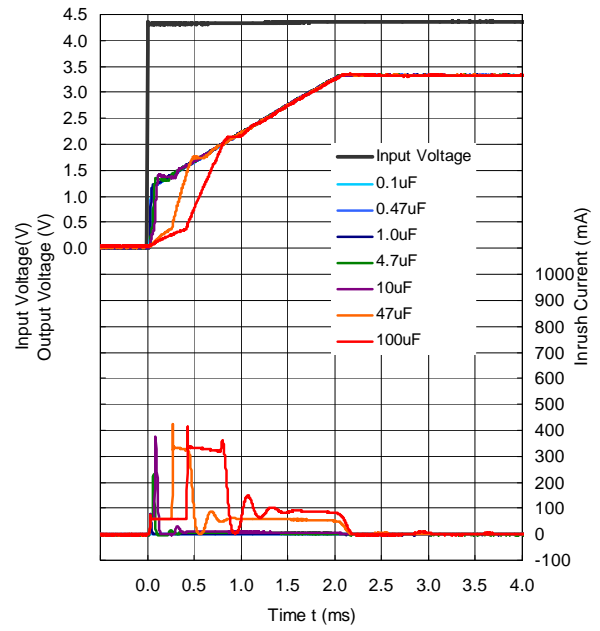
R1517x85xB/D



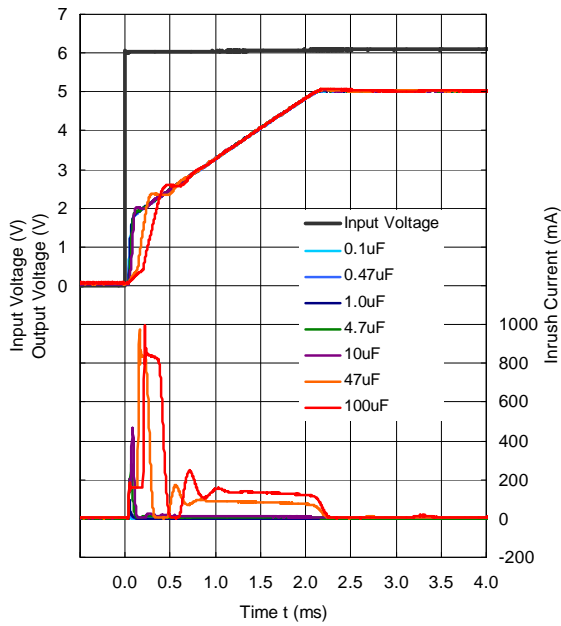
R1517x25xE/F (C_D = 10 nF)



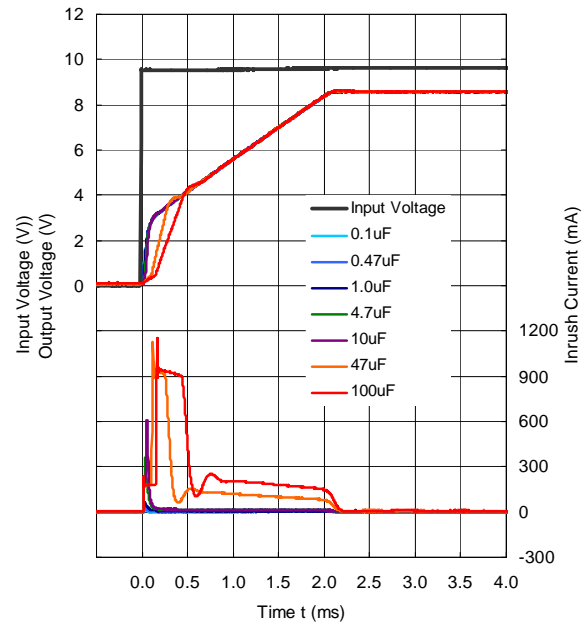
R1517x33xE/F (C_D = 10 nF)



R1517x50xE/F (C_D = 10 nF)

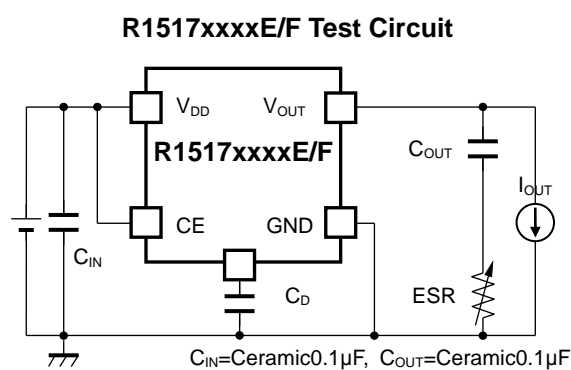
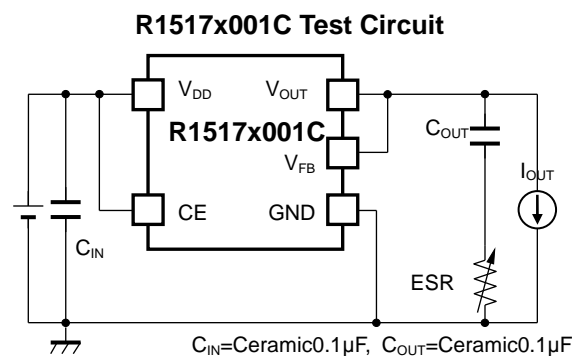
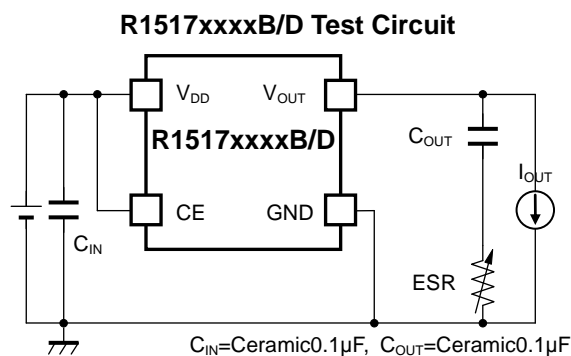


R1517x85xE/F (C_D = 10 nF)



ESR vs. Output Current

It is recommended that a ceramic type capacitor be used for this device. However, other types of capacitors having lower ESR can also be used. The relation between the output current (I_{OUT}) and the ESR of output capacitor is shown below.



Measurement conditions

Frequency Band: 10 Hz to 2 MHz

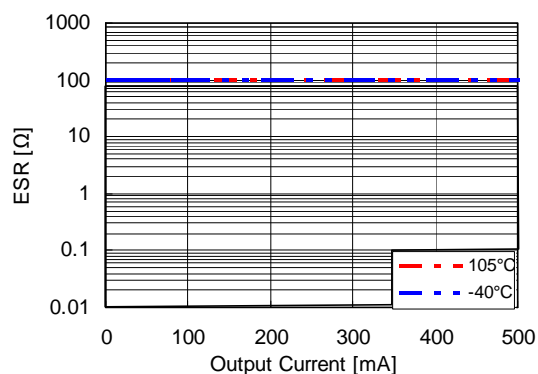
Measurement Temperature: -40°C to 105°C

Hatched area: Noise level is $40\mu\text{V}$ (average) or below

Capacitor: C1 = Ceramic $0.1\mu\text{F}$, C2 = $0.1\mu\text{F}$

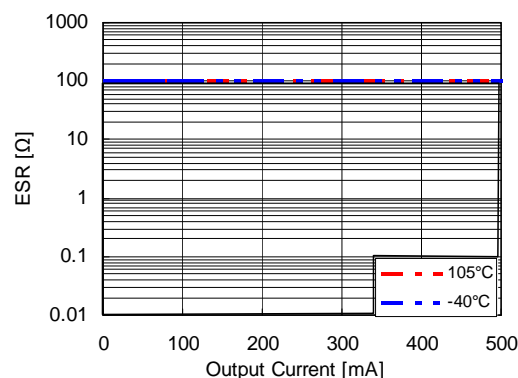
R1517x25xx Output Current I_{OUT} vs. ESR

$V_{in} = 2.5\text{V to } 36\text{V}$



R1517x85xx Output Current I_{OUT} vs. ESR

$V_{in} = 8.5\text{V to } 36\text{V}$





1. The products and the product specifications described in this document are subject to change or discontinuation of production without notice for reasons such as improvement. Therefore, before deciding to use the products, please refer to Ricoh sales representatives for the latest information thereon.
2. The materials in this document may not be copied or otherwise reproduced in whole or in part without prior written consent of Ricoh.
3. Please be sure to take any necessary formalities under relevant laws or regulations before exporting or otherwise taking out of your country the products or the technical information described herein.
4. The technical information described in this document shows typical characteristics of and example application circuits for the products. The release of such information is not to be construed as a warranty of or a grant of license under Ricoh's or any third party's intellectual property rights or any other rights.
5. The products listed in this document are intended and designed for use as general electronic components in standard applications (office equipment, telecommunication equipment, measuring instruments, consumer electronic products, amusement equipment etc.). Those customers intending to use a product in an application requiring extreme quality and reliability, for example, in a highly specific application where the failure or misoperation of the product could result in human injury or death (aircraft, spacevehicle, nuclear reactor control system, traffic control system, automotive and transportation equipment, combustion equipment, safety devices, life support system etc.) should first contact us.
6. We are making our continuous effort to improve the quality and reliability of our products, but semiconductor products are likely to fail with certain probability. In order to prevent any injury to persons or damages to property resulting from such failure, customers should be careful enough to incorporate safety measures in their design, such as redundancy feature, fire containment feature and fail-safe feature. We do not assume any liability or responsibility for any loss or damage arising from misuse or inappropriate use of the products.
7. Anti-radiation design is not implemented in the products described in this document.
8. The X-ray exposure can influence functions and characteristics of the products. Confirm the product functions and characteristics in the evaluation stage.
9. WLCSP products should be used in light shielded environments. The light exposure can influence functions and characteristics of the products under operation or storage.
10. There can be variation in the marking when different AOI (Automated Optical Inspection) equipment is used. In the case of recognizing the marking characteristic with AOI, please contact Ricoh sales or our distributor before attempting to use AOI.
11. Please contact Ricoh sales representatives should you have any questions or comments concerning the products or the technical information.



Ricoh is committed to reducing the environmental loading materials in electrical devices with a view to contributing to the protection of human health and the environment.

Ricoh has been providing RoHS compliant products since April 1, 2006 and Halogen-free products since April 1, 2012.

RICOH RICOH ELECTRONIC DEVICES CO., LTD.

<https://www.e-devices.ricoh.co.jp/en/>

Sales & Support Offices

Ricoh Electronic Devices Co., Ltd.

Shin-Yokohama Office (International Sales)

2-3, Shin-Yokohama 3-chome, Kohoku-ku, Yokohama-shi, Kanagawa, 222-8530, Japan
Phone: +81-50-3814-7687 Fax: +81-45-474-0074

Ricoh Americas Holdings, Inc.

675 Campbell Technology Parkway, Suite 200 Campbell, CA 95008, U.S.A.
Phone: +1-408-610-3105

Ricoh Europe (Netherlands) B.V.

Semiconductor Support Centre

Prof. W.H. Keesomlaan 1, 1183 DJ Amstelveen, The Netherlands
Phone: +31-20-5474-309

Ricoh International B.V. - German Branch

Semiconductor Sales and Support Centre

Oberrather Strasse 6, 40472 Düsseldorf, Germany
Phone: +49-211-6546-0

Ricoh Electronic Devices Korea Co., Ltd.

3F, Haesung Bldg, 504, Teheran-ro, Gangnam-gu, Seoul, 135-725, Korea
Phone: +82-2-2135-5700 Fax: +82-2-2051-5713

Ricoh Electronic Devices Shanghai Co., Ltd.

Room 403, No.2 Building, No.690 Bibo Road, Pu Dong New District, Shanghai 201203,
People's Republic of China
Phone: +86-21-5027-3200 Fax: +86-21-5027-3299

Ricoh Electronic Devices Shanghai Co., Ltd.

Shenzhen Branch

1205, Block D (Jinlong Building), Kingkey 100, Hongbao Road, Luohu District,
Shenzhen, China
Phone: +86-755-8348-7600 Ext 225

Ricoh Electronic Devices Co., Ltd.

Taipei office

Room 109, 10F-1, No.51, Hengyang Rd., Taipei City, Taiwan (R.O.C.)
Phone: +886-2-2313-1621/1622 Fax: +886-2-2313-1623

Mouser Electronics

Authorized Distributor

Click to View Pricing, Inventory, Delivery & Lifecycle Information:

Ricoh Electronics:

[R1517J001C-T1-FE](#) [R1517S851F-E2-FE](#) [R1517J851F-T1-FE](#) [R1517J251B-T1-FE](#) [R1517S851D-E2-FE](#)
[R1517S251E-E2-FE](#) [R1517S341F-E2-FE](#) [R1517S851B-E2-FE](#) [R1517S341B-E2-FE](#) [R1517S851E-E2-FE](#)
[R1517J501E-T1-FE](#) [R1517S251D-E2-FE](#) [R1517J251E-T1-FE](#) [R1517J331D-T1-FE](#) [R1517J341D-T1-FE](#)
[R1517S251F-E2-FE](#) [R1517J251F-T1-FE](#) [R1517S341D-E2-FE](#) [R1517J341E-T1-FE](#) [R1517J851E-T1-FE](#)
[R1517J341F-T1-FE](#) [R1517J501D-T1-FE](#) [R1517J851D-T1-FE](#) [R1517S331E-E2-FE](#) [R1517S251B-E2-FE](#)
[R1517J331F-T1-FE](#) [R1517S001C-E2-FE](#) [R1517J331B-T1-FE](#) [R1517J331E-T1-FE](#) [R1517S501E-E2-FE](#)
[R1517J341B-T1-FE](#) [R1517S501B-E2-FE](#) [R1517J501F-T1-FE](#) [R1517S341E-E2-FE](#) [R1517J251D-T1-FE](#)
[R1517J851B-T1-FE](#) [R1517J501B-T1-FE](#) [R1517S501D-E2-FE](#) [R1517S331D-E2-FE](#) [R1517S501F-E2-FE](#)
[R1517S331B-E2-FE](#) [R1517S331F-E2-FE](#) [R1517S301D-E2-FE](#) [R1517S802B-E2-KE](#) [R1517S001C-E2-KE](#)
[R1517S502B-E2-KE](#) [R1517S332B-E2-KE](#) [R1517J001C-T1-KE](#)

Компания «Океан Электроники» предлагает заключение долгосрочных отношений при поставках импортных электронных компонентов на взаимовыгодных условиях!

Наши преимущества:

- Поставка оригинальных импортных электронных компонентов напрямую с производств Америки, Европы и Азии, а так же с крупнейших складов мира;
- Широкая линейка поставок активных и пассивных импортных электронных компонентов (более 30 млн. наименований);
- Поставка сложных, дефицитных, либо снятых с производства позиций;
- Оперативные сроки поставки под заказ (от 5 рабочих дней);
- Экспресс доставка в любую точку России;
- Помощь Конструкторского Отдела и консультации квалифицированных инженеров;
- Техническая поддержка проекта, помощь в подборе аналогов, поставка прототипов;
- Поставка электронных компонентов под контролем ВП;
- Система менеджмента качества сертифицирована по Международному стандарту ISO 9001;
- При необходимости вся продукция военного и аэрокосмического назначения проходит испытания и сертификацию в лаборатории (по согласованию с заказчиком);
- Поставка специализированных компонентов военного и аэрокосмического уровня качества (Xilinx, Altera, Analog Devices, Intersil, Interpoint, Microsemi, Actel, Aeroflex, Peregrine, VPT, Syfer, Eurofarad, Texas Instruments, MS Kennedy, Miteq, Cobham, E2V, MA-COM, Hittite, Mini-Circuits, General Dynamics и др.);

Компания «Океан Электроники» является официальным дистрибьютором и эксклюзивным представителем в России одного из крупнейших производителей разъемов военного и аэрокосмического назначения «JONHON», а так же официальным дистрибьютором и эксклюзивным представителем в России производителя высокотехнологичных и надежных решений для передачи СВЧ сигналов «FORSTAR».



JONHON

«JONHON» (основан в 1970 г.)

Разъемы специального, военного и аэрокосмического назначения:

(Применяются в военной, авиационной, аэрокосмической, морской, железнодорожной, горно- и нефтедобывающей отраслях промышленности)

«FORSTAR» (основан в 1998 г.)

ВЧ соединители, коаксиальные кабели, кабельные сборки и микроволновые компоненты:

(Применяются в телекоммуникациях гражданского и специального назначения, в средствах связи, РЛС, а так же военной, авиационной и аэрокосмической отраслях промышленности).



Телефон: 8 (812) 309-75-97 (многоканальный)

Факс: 8 (812) 320-03-32

Электронная почта: ocean@oceanchips.ru

Web: <http://oceanchips.ru/>

Адрес: 198099, г. Санкт-Петербург, ул. Калинина, д. 2, корп. 4, лит. А