

TLE4946-2K

High Precision Hall Effect Latch

TLE4946-2K

Final
Datasheet

Rev.1.0

Sensors



Never stop thinking

Edition 2008-09-18

**Published by
Infineon Technologies AG
81726 München, Germany
© 2007 Infineon Technologies AG
All Rights Reserved.**

Legal Disclaimer

The information given in this document shall in no event be regarded as a guarantee of conditions or characteristics. With respect to any examples or hints given herein, any typical values stated herein and/or any information regarding the application of the device, Infineon Technologies hereby disclaims any and all warranties and liabilities of any kind, including without limitation, warranties of non-infringement of intellectual property rights of any third party.

Information

For further information on technology, delivery terms and conditions and prices, please contact the nearest Infineon Technologies Office (www.infineon.com).

Warnings

Due to technical requirements, components may contain dangerous substances. For information on the types in question, please contact the nearest Infineon Technologies Office.

Infineon Technologies components may be used in life-support devices or systems only with the express written approval of Infineon Technologies, if a failure of such components can reasonably be expected to cause the failure of that life-support device or system or to affect the safety or effectiveness of that device or system. Life support devices or systems are intended to be implanted in the human body or to support and/or maintain and sustain and/or protect human life. If they fail, it is reasonable to assume that the health of the user or other persons may be endangered.

TLE4946-2K High Precision Hall Effect Latch**Revision History: 2008-09-18, Rev.1.0****Previous Version:**

Page	Subjects (major changes since last revision)

We Listen to Your Comments

Any information within this document that you feel is wrong, unclear or missing at all?

Your feedback will help us to continuously improve the quality of this document.

Please send your proposal (including a reference to this document) to:

sensors@infineon.com



1	Product Description	5
1.1	Overview	5
1.2	Features	5
1.3	Target Applications	5
2	Functional Description	5
2.1	General	5
2.2	Pin Configuration	6
2.3	Pin Description	6
2.4	Block Diagram	6
2.5	Operating Modes and States	7
2.6	Functional Block Description	7
3	Specification	8
3.1	Absolute Maximum Ratings	8
3.2	Operating Range	9
3.3	Characteristics	9
4	Package Information	10
4.1	Package Outline	10

1 Product Description

1.1 Overview

The TLE4946-2K is a high precision Hall effect latch with highly accurate switching thresholds for operating temperatures up to 150°C.

1.2 Features

- 2.7 V to 24 V supply voltage operation
- Operation from unregulated power supply
- High sensitivity and high stability of the magnetic switching points
- High resistance to mechanical stress by active error compensation
- Reverse battery protection (– 18V)
- Superior temperature stability
- Peak temperatures up to 195°C without damage
- Low jitter (typ. 1 μ s)
- High ESD performance (\pm 4kV HBM)
- Digital output signal
- SMD package SC59



1.3 Target Applications

The TLE4946-2K is an integrated circuit Hall-effect sensor with low switching thresholds and low hysteresis which make it ideally suited to detect the rotor position in a BLDC motor commutation application.

2 Functional Description

2.1 General

Precise magnetic switching thresholds and high temperature stability are achieved by active compensation circuits and chopper techniques on chip. Offset voltages, generated by temperature induced stress or overmolding are canceled and high accuracy is achieved. The IC has an open collector output stage with 20mA current sink capability. A wide operating voltage range from 2.7V to 18V with reverse polarity protection up to -18V makes the device suitable for a wide range of applications. A magnetic south pole with field strength above B_{op} turns the output on and a magnetic north pole exceeding B_{rp} turns it off.

Product Name	Product Type	Ordering Code	Package
Hall Effect Latch	TLE4946-2K	SP000472424	SC59

2.2 Pin Configuration

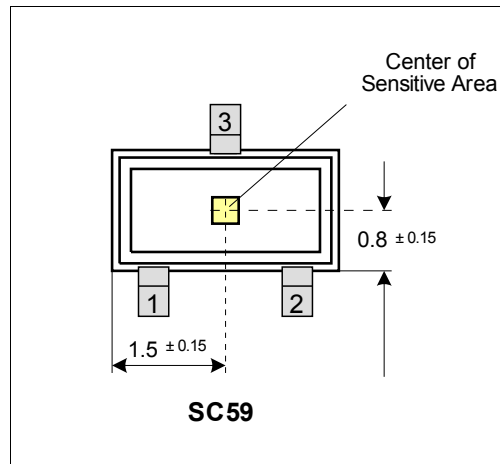


Figure 1 Pin Configuration and sensitive area (Top View, Figure not to Scale)

2.3 Pin Description

Table 1 Pin Description

Pin or Ball No.	Name	Pin Type	Function	Comments
1	Vs	I	Supply voltage	
2	Q	O	Output	
3	GND	I	Ground	

2.4 Block Diagram

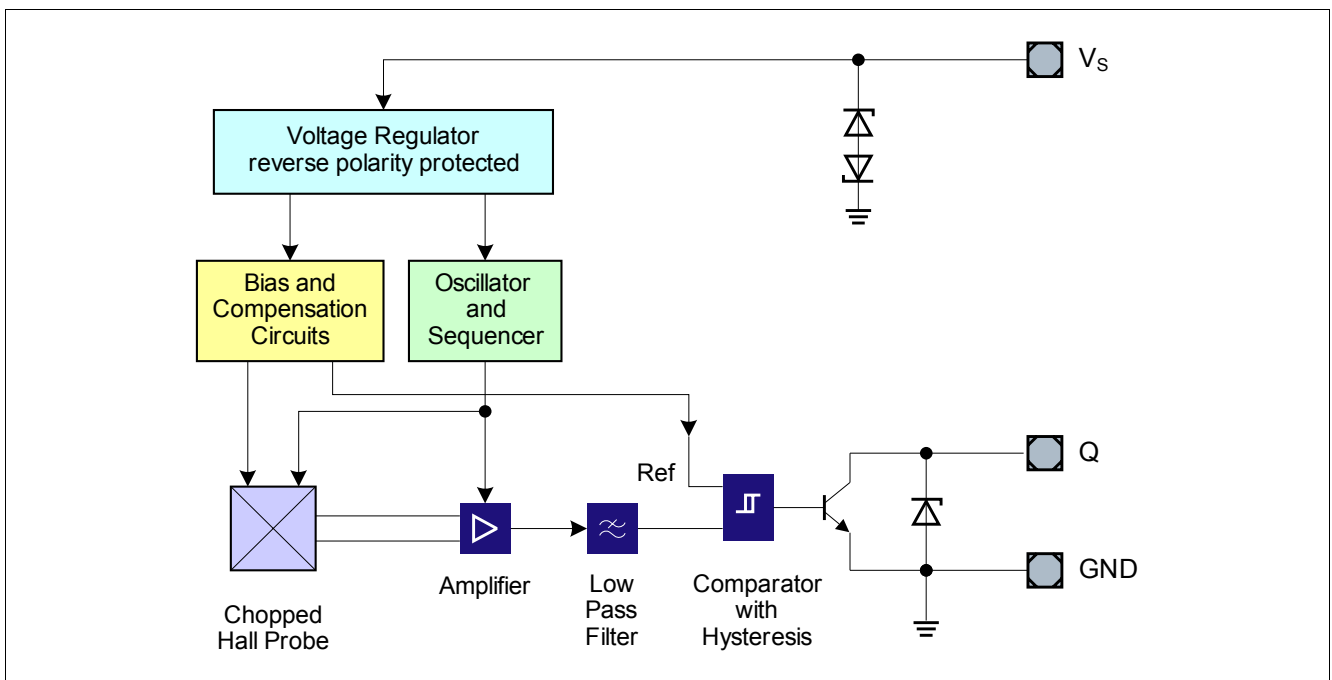


Figure 2 TLE4946-2K Block Diagram

2.5 Operating Modes and States

Field Direction Definition:

Positive magnetic fields are related with the south pole of the magnet to the branded side of package.

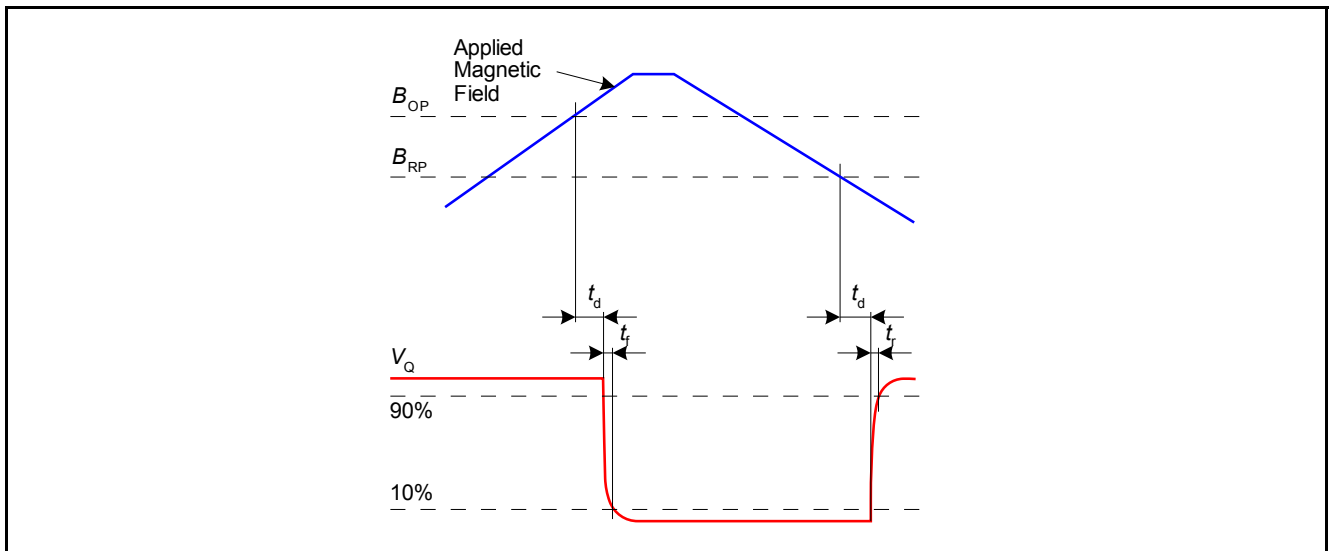


Figure 3 Timing diagram

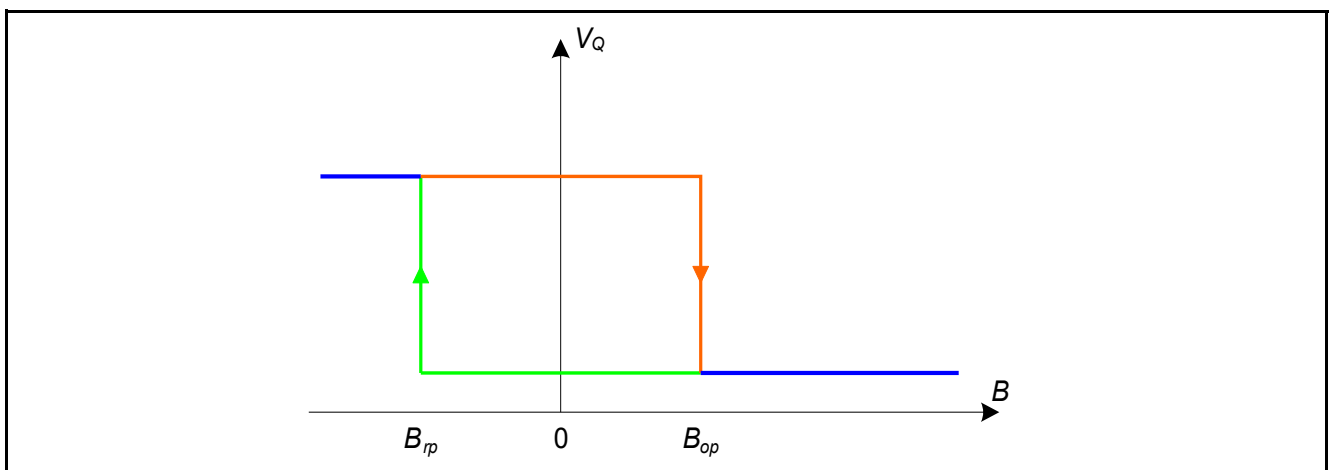


Figure 4 Output Signal

2.6 Functional Block Description

The chopped Hall IC switch comprises a Hall probe, bias generator, compensation circuits, oscillator and output transistor.

The bias generator provides currents for the Hall probe and the active circuits. Compensation circuits stabilize the temperature behavior and reduce technology variations.

The Active Error Compensation rejects offsets in signal stages and the influence of mechanical stress to the Hall probe caused by molding and soldering processes and other thermal stresses in the package.

This chopper technique together with the threshold generator and the comparator ensure high accurate magnetic switching points

3 Specification

3.1 Absolute Maximum Ratings

Table 2 Absolute Maximum Ratings

Parameter	Symbol	Values			Unit	Note/Test Condition
		Min.	Typ.	Max.		
Max. junction temperature	T_J	-40	–	150	°C	
		–	–	155		for 2000 h (not additive)
		–	–	165		for 1000 h (not additive)
		–	–	175		for 168 h (not additive)
		–	–	195		for 3 x 1 h (additive)
Supply voltage	V_{DD}	-18	–	18	V	for 1h, $R_s \geq 200\Omega$ for 5min, $R_s \geq 200\Omega$
		-18	–	24		
		-18	–	26		
Supply current through protection device	I_S	- 50	–	+ 50	mA	
Output voltage	V_Q	-0.7	–	18	V	for 5min @ 1.2k Ω pull up
		-0.7	–	26		
Storage temperature	T_S	- 40	–	150	°C	
Magnetic flux density	B		–	unlimited	mT	
ESD robustness HBM: 1.5 k Ω , 100 pF	$V_{ESD,HBM}$	4			kV	According to EIA/JESD22-A114-B

Attention: Stresses above the max. values listed here may cause permanent damage to the device. Exposure to absolute maximum rating conditions for extended periods may affect device reliability. Maximum ratings are absolute ratings; exceeding only one of these values may cause irreversible damage to the integrated circuit.

3.2 Operating Range

The following operating conditions must not be exceeded in order to ensure correct operation of the TLE4946-2K. All parameters specified in the following sections refer to these operating conditions unless otherwise mentioned.

Table 3 Operating Range

Parameter	Symbol	Values			Unit	Note/ Test Condition
		Min.	Typ.	Max.		
Supply voltage	V_S	2.7	–	18	V	
Output voltage	V_Q	– 0.7	–	18	V	
Junction temperature	T_j	– 40	–	150	°C	
Output current	I_Q	0	–	20	mA	

3.3 Characteristics

Product characteristics involve the spread of values guaranteed within the specified voltage and ambient temperature range. Typical characteristics are the median of the production (at $V_S = 12V$ and $T_A = 25^\circ C$).

Table 4 Electrical Characteristics

Parameter	Symbol	Values			Unit	Note/ Test Condition
		Min.	Typ.	Max.		
Supply current	I_S	2	4	6	mA	$V_S = 2.7 V \dots 18 V$
Reverse current	I_{SR}	0	0.2	1	mA	$V_S = -18 V$
Output saturation voltage	V_{QSAT}	–	0.3	0.6	V	$I_Q = 20 mA$
Output leakage current	I_{QLEAK}	–	0.05	10	µA	for $V_Q = 18 V$
Output fall time	t_f	–	0.02	1	µs	$R_L = 1.2 k\Omega$; $C_L = 50 pF$
Output rise time	t_r	–	0.4	1	µs	
Chopper frequency	f_{OSC}	–	320	–	kHz	
Switching frequency	f_{SW}	0	–	15 ¹⁾	kHz	
Delay time ²⁾	t_d	–	13	–	µs	
Output jitter ³⁾	t_{QJ}	–	1	–	µs _{RMS}	Typical value for square wave signal 1 kHz
Power-on time ⁴⁾	t_{PON}	–	13	–	µs	$V_S \geq 2.7 V$
Thermal resistance ⁵⁾	R_{thJA}	–	100	–	K/W	

- 1) To operate the sensor at the max. switching frequency, the value of the magnetic signal amplitude must be 1.4 times higher than for static fields.
This is due to the - 3 dB corner frequency of the low pass filter in the signal path.
- 2) Systematic delay between magnetic threshold reached and output switching
- 3) Jitter is the unpredictable deviation of the output switching delay
- 4) Time from applying $V_S \geq 2.7 V$ to the sensor until the output state is valid
- 5) Thermal resistance from junction to ambient

Table 5 Magnetic Characteristics

Parameter	Symbol	Values			Unit	Note/ Test Condition
		Min.	Typ.	Max.		
Operate point	B_{OP}	0.5	2.0	3.5	mT	
Release point	B_{RP}	-3.5	-2.0	-0.5	mT	
Hysteresis	B_{HYS}	1.0	4	6.0	mT	
Magnetic Offset ¹⁾	B_{OFF}	-1.5	0	1.5	mT	
Temperature compensation of magn. thresholds	TC		-350		ppm/°C	
Repeatability of magnetic thresholds ²⁾	B_{REP}		20		μT_{RMS}	

1) $B_{off} = (B_{op} + B_{rp})/2$

2) B_{REP} is equivalent to the noise constant

4 Package Information

4.1 Package Outline

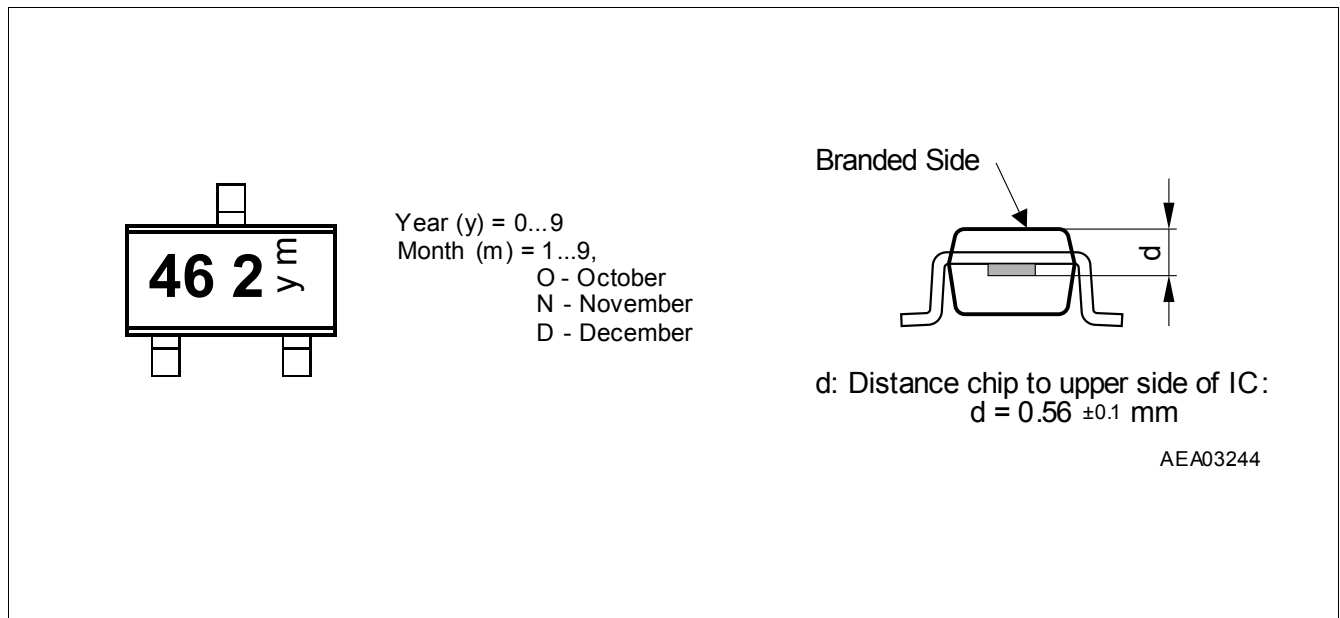


Figure 5 Marking of TLE4946-2K and distance of chip to upper side of IC

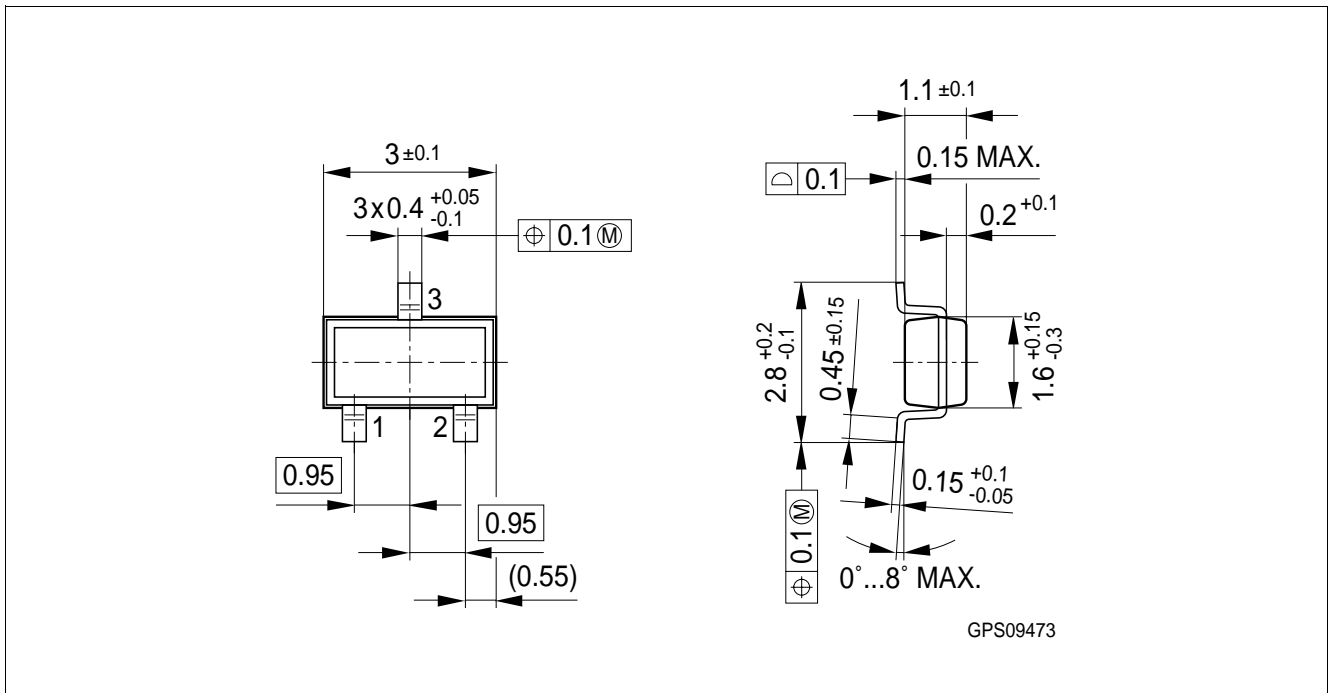


Figure 6 Package outline

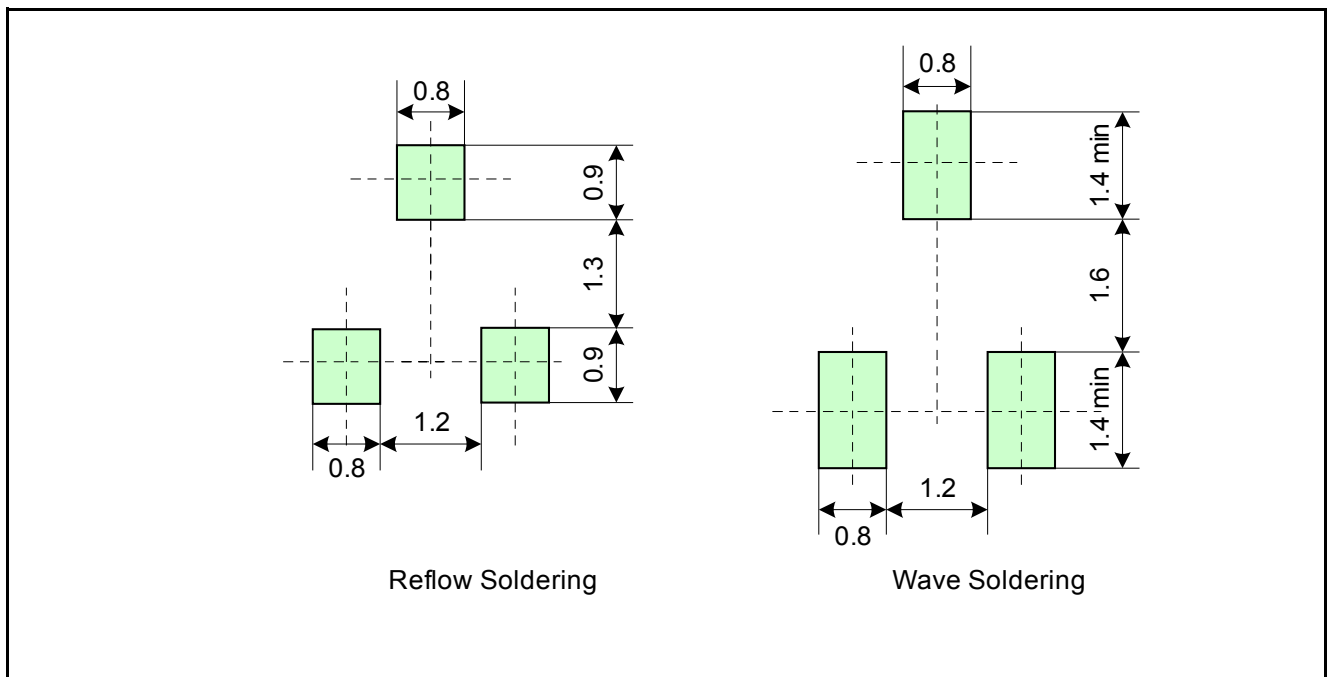


Figure 7 Footprint SC59 (SOT23 compatible)

www.infineon.com

Компания «Океан Электроники» предлагает заключение долгосрочных отношений при поставках импортных электронных компонентов на взаимовыгодных условиях!

Наши преимущества:

- Поставка оригинальных импортных электронных компонентов напрямую с производств Америки, Европы и Азии, а так же с крупнейших складов мира;
- Широкая линейка поставок активных и пассивных импортных электронных компонентов (более 30 млн. наименований);
- Поставка сложных, дефицитных, либо снятых с производства позиций;
- Оперативные сроки поставки под заказ (от 5 рабочих дней);
- Экспресс доставка в любую точку России;
- Помощь Конструкторского Отдела и консультации квалифицированных инженеров;
- Техническая поддержка проекта, помощь в подборе аналогов, поставка прототипов;
- Поставка электронных компонентов под контролем ВП;
- Система менеджмента качества сертифицирована по Международному стандарту ISO 9001;
- При необходимости вся продукция военного и аэрокосмического назначения проходит испытания и сертификацию в лаборатории (по согласованию с заказчиком);
- Поставка специализированных компонентов военного и аэрокосмического уровня качества (Xilinx, Altera, Analog Devices, Intersil, Interpoint, Microsemi, Actel, Aeroflex, Peregrine, VPT, Syfer, Eurofarad, Texas Instruments, MS Kennedy, Miteq, Cobham, E2V, MA-COM, Hittite, Mini-Circuits, General Dynamics и др.);

Компания «Океан Электроники» является официальным дистрибьютором и эксклюзивным представителем в России одного из крупнейших производителей разъемов военного и аэрокосмического назначения «JONHON», а так же официальным дистрибьютором и эксклюзивным представителем в России производителя высокотехнологичных и надежных решений для передачи СВЧ сигналов «FORSTAR».



JONHON

«JONHON» (основан в 1970 г.)

Разъемы специального, военного и аэрокосмического назначения:

(Применяются в военной, авиационной, аэрокосмической, морской, железнодорожной, горно- и нефтедобывающей отраслях промышленности)

«FORSTAR» (основан в 1998 г.)

ВЧ соединители, коаксиальные кабели, кабельные сборки и микроволновые компоненты:

(Применяются в телекоммуникациях гражданского и специального назначения, в средствах связи, РЛС, а так же военной, авиационной и аэрокосмической отраслях промышленности).



Телефон: 8 (812) 309-75-97 (многоканальный)

Факс: 8 (812) 320-03-32

Электронная почта: ocean@oceanchips.ru

Web: <http://oceanchips.ru/>

Адрес: 198099, г. Санкт-Петербург, ул. Калинина, д. 2, корп. 4, лит. А