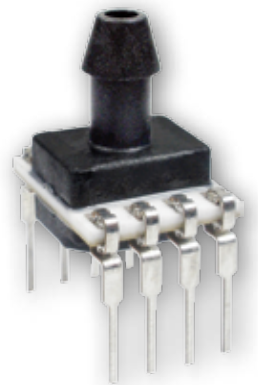




TruStability[®] Board Mount Pressure Sensors

SSC Series—Standard Accuracy, Compensated/Amplified
±1.6 mbar to ±10 bar | ±160 Pa to ±1 MPa | ±0.5 inH₂O to ±150 psi
Digital or Analog Output



TruStability® Board Mount Pressure Sensors

The TruStability® Standard Accuracy Silicon Ceramic (SSC) Series is a piezoresistive silicon pressure sensor offering a ratiometric analog or digital output for reading pressure over the specified full scale pressure span and temperature range.

The SSC Series is fully calibrated and temperature compensated for sensor offset, sensitivity, temperature effects, and non-linearity using an on-board Application Specific Integrated Circuit (ASIC). Calibrated output values for pressure are updated at approximately 1 kHz for analog and 2 kHz for digital.

The SSC Series is calibrated over the temperature range of -20 °C to 85 °C [-4 °F to 185 °F]. The sensor is characterized for operation from a single power supply of either 3.3 Vdc or 5.0 Vdc.

These sensors measure absolute, gage, or differential pressures. The absolute versions have an internal vacuum reference and an output value proportional to absolute pressure. Gage versions are referenced to atmospheric pressure and provide an output proportional to pressure variations from atmosphere. Differential versions allow measurement of pressure between two pressure ports.

The TruStability® pressure sensors are intended for use with non-corrosive, non-ionic gases, such as air and other dry gases. Available options extend the performance of these sensors to non-corrosive, non-ionic liquids for pressure ranges above 40 mbar | 4 kPa | 20 inH₂O.

All products are designed and manufactured according to ISO 9001 standards.

Table of Contents

| | |
|--|-------|
| Features and Benefits | 3-5 |
| Potential Applications | 6 |
| General Specifications | 7-8 |
| Analog Operating Specifications | 9 |
| Digital Operating Specifications | 10 |
| Transfer Function Limits | 11 |
| Total Error Band Values | 12 |
| Nomenclature and Order Guide | 13 |
| Pressure Range Specifications | |
| ±1.6 mbar to ±10 bar | 14 |
| ±160 Pa to ±1 MPa | 15 |
| ±0.5 inH ₂ O to ±150 psi | 16 |
| Available Standard Configurations | 17-18 |
| Dimensional Drawings | |
| DIP Packages | 19-21 |
| SMT Packages | 21-24 |
| SIP Packages | 24-29 |
| Pinouts, PCB Layouts, Circuit Examples | 30 |
| TruStability® Board Mount Pressure Sensors | |
| Portfolio Overview | 31 |
| Additional Information | 32 |

What makes our sensors better?

- Stability and reliability
- Industry-leading accuracy of ±0.25 %FSS BFSL
- Port and housing options simplify integration
- Wide pressure range, from ±1.6 mbar to ±10 bar | ±160 Pa to ±1 MPa | ±0.5 inH₂O to ±150 psi
- Small package size
- Extremely low power consumption

STABILITY • ACCURACY • FLEXIBILITY • SMALL SIZE

Features and Benefits

PROPRIETARY HONEYWELL TECHNOLOGY

Combines high sensitivity with high overpressure and burst pressure while providing industry leading stability—performance factors that are difficult to achieve in the same product; this gives the customer more flexibility in sensor implementation and reduces the customer design requirements for protecting the sensor without sacrificing the ability to sense very small changes in pressure.

PROTECTED BY MULTIPLE GLOBAL PATENTS

INDUSTRY-LEADING LONG-TERM STABILITY

Even after long-term use and thermal extremes, the sensor's stability remains best in class:

- Minimizes system calibration needs.
- Improves system performance.
- Helps support system uptime by minimizing the need to service or replace the sensor during its application life.

TOTAL ERROR BAND (TEB)

Honeywell specifies TEB—the most comprehensive, clear, and meaningful measurement—that provides the sensor's true performance over a compensated range of -20 °C to 85 °C [-4 °F to 185 °F] (see Figure 1):

- Minimizes individually testing and calibrating every sensor, decreasing manufacturing time and process costs.
- Improves system accuracy.
- Provides enhanced sensor interchangeability—there is minimal part-to-part variation in accuracy.



Figure 1. TEB Components for TruStability® Board Mount Pressure Sensors

Features and Benefits

INDUSTRY-LEADING ACCURACY

Extremely tight accuracy of ± 0.25 %FSS BFSL (Full Scale Span Best Fit Straight Line) reduces software needs to correct system inaccuracies, minimizing system design time:

- Avoids additional customer calibration.
- Helps to improve system efficiency.
- Often simplifies software development.

HIGH BURST PRESSURES

- Promotes system reliability and reduces potential system downtime.
- Can simplify the design process.

HIGH WORKING PRESSURE RANGES

Allows ultra-low pressure sensors to be used continuously well above the calibrated pressure range.

INDUSTRY-LEADING FLEXIBILITY

Modular, flexible design with many package styles (with the same industry-leading stability), pressure ports, and options simplify integration into the device manufacturer's application.

WIDE VARIETY OF PRESSURE RANGES

From ± 1.6 mbar to ± 10 bar | ± 160 Pa to ± 1 MPa | ± 0.5 inH₂O to ± 150 psi provide support for many unique applications.

MEETS IPC/JEDEC J-STD-020D.1 MOISTURE SENSITIVITY LEVEL 1 REQUIREMENTS

- Allows the customer to avoid the thermal and mechanical damage during solder reflow attachment and/or repair that lesser rated products would incur.
- Allows unlimited floor life when stored as specified (≤ 30 °C/85 %RH), simplifying storage and reducing scrap.
- Never requires lengthy bakes prior to reflow.
- Stable and usable shortly after reflow process allows for lean manufacturing.

OPTIONAL INTERNAL DIAGNOSTIC FUNCTIONS

- May reduce the need for redundant sensors in the system.
- Detects most internal failures including burst sensors.

ENERGY EFFICIENT

Extremely low power consumption (less than 10 mW, typ.):

- Reduces system power requirements.
- Enables extended battery life.
- Optional sleep mode available upon special request.

Features and Benefits

OUTPUT: RATIOMETRIC ANALOG; I²C- OR SPI-COMPATIBLE 14-BIT DIGITAL OUTPUT (MIN. 12-BIT SENSOR RESOLUTION)

Accelerates performance through reduced conversion requirements and the convenience of direct interface to microprocessors.

SMALL SIZE

Miniature 10 mm x 10 mm [0.39 in x 0.39 in] package is very small when compared to many board mount pressure sensors:

- Occupies less area on the PCB.
- Typically allows for easy placement on crowded PCBs or in small devices.

REACH AND ROHS COMPLIANT

LIQUID MEDIA OPTION

- Provides robustness in environments with condensing humidity.
- Compatible with a variety of non-ionic fluids.
- Available for pressure ranges above 40 mbar | 4 kPa | 20 inH₂O.

Potential Applications



MEDICAL

- AIRFLOW MONITORS
- ANESTHESIA MACHINES
- BLOOD ANALYSIS MACHINES
- GAS FLOW INSTRUMENTATION
- KIDNEY DIALYSIS MACHINES
- OXYGEN CONCENTRATORS
- PNEUMATIC CONTROLS
- RESPIRATORY MACHINES
- SLEEP APNEA EQUIPMENT
- VENTILATORS
- SPIROMETERS
- NEBULIZERS
- HOSPITAL ROOM AIR PRESSURE



INDUSTRIAL

- BAROMETRY
- FLOW CALIBRATORS
- GAS CHROMATOGRAPHY
- GAS FLOW INSTRUMENTATION
- HVAC
- LIFE SCIENCES
- PNEUMATIC CONTROL
- VAV (VARIABLE AIR VOLUME) CONTROL
- CLOGGED HVAC FILTER DETECTION
- HVAC TRANSMITTERS
- INDOOR AIR QUALITY



General Specifications

Table 1. Absolute Maximum Ratings¹

| Characteristic | Min. | Max. | Unit |
|--|-----------|---|---------|
| Supply voltage (V_{supply}) | -0.3 | 6.0 | Vdc |
| Voltage on any pin | -0.3 | $V_{\text{supply}} + 3.0$ | V |
| Digital interface clock frequency: | | | |
| I ² C | 100 | 400 | kHz |
| SPI | 50 | 800 | |
| ESD susceptibility (human body model) | 3 | — | kV |
| Storage temperature | -40 [-40] | 85 [185] | °C [°F] |
| Soldering time and temperature: lead solder temperature (SIP, DIP) peak reflow temperature (SMT) | | 4 s max. at 250 °C [482 °F] 15 s max. at 250 °C [482 °F] | |

¹Absolute maximum ratings are the extreme limits the device will withstand without damage.

Table 2. Environmental Specifications

| Characteristic | Parameter |
|--|--|
| Humidity: gases only (See “Options N and D” in Figure 4.) liquid media only (See “Options T and V” in Figure 4.) | 0% to 95% RH, non-condensing 100% condensing or direct liquid media on Port 1 |
| Vibration | MIL-STD-202G, Method 204D, Condition B (15 g, 10 Hz to 2 kHz) |
| Shock | MIL-STD-202G, Method 213B, Condition C (100 g, 6 ms duration) |
| Life ¹ | 1 million pressure cycles minimum |
| Solder reflow | J-STD-020-D.1 Moisture Sensitivity Level 1 (unlimited shelf life when stored at ≤ 30 °C/85 % RH) |

¹Life may vary depending on specific application in which the sensor is utilized.

General Specifications

Table 3. Wetted Materials¹

| Component | Port 1 (Pressure Port) | Port 2 (Reference Port) |
|-----------------------|---------------------------------|----------------------------|
| Ports and covers | high temperature polyamide | high temperature polyamide |
| Substrate | alumina ceramic | alumina ceramic |
| Adhesives | epoxy, silicone | epoxy, silicone |
| Electronic components | ceramic, silicon, glass, solder | silicon, glass, gold |

¹Contact Honeywell Customer Service for detailed material information.

CAUTION

PRODUCT DAMAGE FOR SENSORS WITH LIQUID MEDIA OPTION (ONLY AVAILABLE 60 MBAR | 6 KPA | 1 PSI AND ABOVE)

- Ensure liquid media is applied to Port 1 only; Port 2 is not compatible with liquids.
- Ensure liquid media contains no particulates. All TruStability® sensors are dead-ended devices. Particulates can accumulate inside the sensor, causing damage or affecting sensor output.
- Recommend that the sensor be positioned with Port 1 facing downwards; any particulates in the system are less likely to enter and settle within the pressure sensor if it is in this position.
- Ensure liquid media does not create a residue when dried; build-up inside the sensor may affect sensor output. Rinsing of a dead-ended sensor is difficult and has limited effectiveness for removing residue.
- Ensure liquid media are compatible with wetted materials. Non-compatible liquid media will degrade sensor performance and may lead to sensor failure.

Failure to comply with these instructions may result in product damage.

Table 4. Pressure Types

| Pressure Type | Description |
|---------------|--|
| Absolute | Output is proportional to the difference between applied pressure and a built-in vacuum reference. |
| Differential | Output is proportional to the difference between the pressures applied to each port (Port 1 – Port 2). |
| Gage | Output is proportional to the difference between applied pressure and atmospheric (ambient) pressure. |

Analog Operating Specifications

Table 5. Analog Operating Specifications

| Characteristic | Min. | Typ. | Max. | Unit |
|--|-----------------------------|--------------------------|-----------------------------|------------------------|
| Supply voltage (V_{supply}): ^{1, 2, 3} pressure ranges ≥ 60 mbar 6 kPa 1 psi: 3.3 Vdc 5.0 Vdc pressure ranges ≤ 40 mbar 4 kPa 20 inH ₂ O: 3.3 Vdc 5.0 Vdc | 3.0 4.75 3.27 4.95 | 3.3 5.0 3.3 5.0 | 3.6 5.25 3.33 5.05 | Vdc |
| Supply current: 3.3 Vdc 5.0 Vdc | — — | 2.1 2.7 | 2.8 3.5 | mA |
| Operating temperature range ⁴ | -40 [-40] | — | 85 [185] | °C [°F] |
| Compensated temperature range ⁵ | -20 [-4] | — | 85 [185] | °C [°F] |
| Startup time (power up to data ready) | — | — | 5 | ms |
| Response time | — | 1 | — | ms |
| Clipping limit: upper lower | — 2.5 | — — | 97.5 — | %Vsupply |
| Accuracy ⁶ | — | — | ± 0.25 | %FSS BFSL ⁸ |
| Output resolution | 0.03 | — | — | %FSS |
| Orientation sensitivity (± 1 g): ^{7, 9} pressure ranges ≤ 40 mbar 4 kPa 20 inH ₂ O pressure ranges ≤ 2.5 mbar 250 Pa 1 inH ₂ O | — — | ± 0.1 ± 0.2 | — — | %FSS ⁸ |

¹Sensors are either 3.3 Vdc or 5.0 Vdc based on the catalog listing selected.

²Ratiometricity of the sensor (the ability of the device output to scale to the supply voltage) is achieved within the specified operating voltage.

³The sensor is not reverse polarity protected. Incorrect application of supply voltage or ground to the wrong pin may cause electrical failure.

⁴Operating temperature range: The temperature range over which the sensor will produce an output proportional to pressure.

⁵Compensated temperature range: The temperature range over which the sensor will produce an output proportional to pressure within the specified performance limits.

⁶Accuracy: The maximum deviation in output from a Best Fit Straight Line (BFSL) fitted to the output measured over the pressure range at 25 °C [77 °F]. Includes all errors due to pressure non-linearity, pressure hysteresis, and non-repeatability.

⁷Orientation sensitivity: The maximum change in offset of the sensor due to a change in position or orientation relative to Earth's gravitational field.

⁸Full Scale Span (FSS): The algebraic difference between the output signal measured at the maximum (Pmax.) and minimum (Pmin.) limits of the pressure range. (See Figure 4 for ranges.)

⁹Insignificant for pressure ranges above 40 mbar | 4 kPa | 20 inH₂O.

Digital Operating Specifications

Table 6. Digital Operating Specifications

| Characteristic | Min. | Typ. | Max. | Unit |
|--|-----------------------------|--------------------------|-----------------------------|------------------------|
| Supply voltage (V_{supply}): ^{1, 2, 3} pressure ranges ≥ 60 mbar 6 kPa 1 psi: 3.3 Vdc 5.0 Vdc pressure ranges ≤ 40 mbar 4 kPa 20 inH ₂ O: 3.3 Vdc 5.0 Vdc | 3.0 4.75 3.27 4.95 | 3.3 5.0 3.3 5.0 | 3.6 5.25 3.33 5.05 | Vdc |
| Supply current: 3.3 Vdc 5.0 Vdc | — — | 3.1 3.7 | 3.9 4.6 | mA |
| Operating temperature range ⁴ | -40 [-40] | — | 85 [185] | °C [°F] |
| Compensated temperature range ⁵ | -20 [-4] | — | 85 [185] | °C [°F] |
| Startup time (power up to data ready) | — | — | 3 | ms |
| Response time | — | 0.46 | — | ms |
| SPI/I ² C voltage level: low high | — 80 | — — | 20 — | %Vsupply |
| Pull up on SDA/MISO, SCL/SCLK, SS | 1 | — | — | kOhm |
| Accuracy ⁶ | — | — | ± 0.25 | %FSS BFSL ⁸ |
| Output resolution | 12 | — | — | bits |
| Orientation sensitivity (± 1 g): ^{7, 9} pressure ranges ≤ 40 mbar 4 kPa 20 inH ₂ O pressure ranges ≤ 2.5 mbar 250 Pa 1 inH ₂ O | — — | ± 0.1 ± 0.2 | — — | %FSS ⁸ |

¹Sensors are either 3.3 Vdc or 5.0 Vdc based on the catalog listing selected.

²Ratiometricity of the sensor (the ability of the device output to scale to the supply voltage) is achieved within the specified operating voltage.

³The sensor is not reverse polarity protected. Incorrect application of supply voltage or ground to the wrong pin may cause electrical failure.

⁴Operating temperature range: The temperature range over which the sensor will produce an output proportional to pressure.

⁵Compensated temperature range: The temperature range over which the sensor will produce an output proportional to pressure within the specified performance limits.

⁶Accuracy: The maximum deviation in output from a Best Fit Straight Line (BFSL) fitted to the output measured over the pressure range at 25 °C [77 °F]. Includes all errors due to pressure non-linearity, pressure hysteresis, and non-repeatability.

⁷Orientation sensitivity: The maximum change in offset of the sensor due to a change in position or orientation relative to Earth's gravitational field.

⁸Full Scale Span (FSS): The algebraic difference between the output signal measured at the maximum (Pmax.) and minimum (Pmin.) limits of the pressure range. (See Figure 4 for ranges.)

⁹Insignificant for pressure ranges above 40 mbar | 4 kPa | 20 inH₂O.

Table 7. Sensor Output at Significant Percentages (digital versions only)

| % Output | Digital Counts (decimal) | Digital Counts (hex) |
|----------|--------------------------|----------------------|
| 0 | 0 | 0x0000 |
| 10 | 1638 | 0x0666 |
| 50 | 8192 | 0x2000 |
| 90 | 14746 | 0x399A |
| 100 | 16383 | 0x3FFF |

Transfer Function Limits

Figure 2. Transfer Function Limits¹

Analog Versions



$$\text{Output (V)} = \frac{0.8 \times V_{\text{supply}}}{P_{\text{max.}} - P_{\text{min.}}} \times (\text{Pressure}_{\text{applied}} - P_{\text{min.}}) + 0.10 \times V_{\text{supply}}$$

Digital Versions



$$\text{Output (\% of } 2^{14} \text{ counts)} = \frac{80\%}{P_{\text{max.}} - P_{\text{min.}}} \times (\text{Pressure}_{\text{applied}} - P_{\text{min.}}) + 10\%$$

¹Transfer Function "A" is shown. See Figure 4 for other available transfer function options.

Total Error Band Values

Figure 3. Total Error Band Values for Full Scale Span Pressure Ranges



Nomenclature and Order Guide

Figure 4. Nomenclature and Order Guide

For example, **SSCDNNN150PGA3** defines an SSC Series TruStability® Pressure Sensor, DIP package, NN pressure port, no special options, 150 psi gage pressure range, analog output type, 10% to 90% of Vsupply transfer function, 3.3 Vdc supply voltage.

Product Series
SSC Standard Accuracy, Compensated/Amplified

Package
D DIP (Dual Inline Pin)
M SMT (Surface Mount Technology)
S SIP (Single Inline Pin)

Pressure Port

| DIP | SMT | SIP |
|--|--|---|
| NN No ports | NN No ports | NN No ports |
| AN Single axial barbed port | AN Single axial barbed port | AN Single axial barbed port |
| LN Single axial barbless port | LN Single axial barbless port | LN Single axial barbless port |
| — | — | AA Dual axial barbed ports, opposite sides |
| — | — | FF Fastener mount, dual axial barbed ports, opposite sides |
| — | — | FN Fastener mount, single axial barbed port |
| — | — | GN Ribbed fastener mount, single axial barbed port |
| — | — | NB Fastener mount, dual axial ports, same side |
| RN Single radial barbed port | RN Single radial barbed port | RN Single radial barbed port |
| RR Dual radial barbed ports, same side | RR Dual radial barbed ports, same side | RR Dual radial barbed ports, same side |
| DR Dual radial barbed ports, opposite sides | DR Dual radial barbed ports, opposite sides | DR Dual radial barbed ports, opposite sides |
| JN Single radial barbless port | JN Single radial barbless port | JN Single radial barbless port |
| JJ Dual radial barbless ports, same side | JJ Dual radial barbless ports, same side | JJ Dual radial barbless ports, same side |
| — | — | HH Fastener mount, dual radial barbed ports, same side |
| — | — | HN Fastener mount, single radial barbed port |
| — | — | MN Manifold mount, outer diameter seal |
| — | — | SN Manifold mount, inner diameter seal |

Options^{5, 6}

| |
|---|
| N Dry gases only, no diagnostics |
| D Dry gases only, diagnostics on |
| T Liquid media on Port 1, no diagnostics |
| V Liquid media on Port 1, diagnostics on |

Supply Voltage
3 3.3 Vdc
5 5.0 Vdc

Transfer Function¹
A 10% to 90% of Vsupply (analog), 2¹⁴ counts (digital)
B 5% to 95% of Vsupply (analog), 2¹⁴ counts (digital)
C 5% to 85% of Vsupply (analog), 2¹⁴ counts (digital)
F 4% to 94% of Vsupply (analog), 2¹⁴ counts (digital)

Output Type²
A Analog
S SPI
2 I²C, Address 0x28
3 I²C, Address 0x38
4 I²C, Address 0x48
5 I²C, Address 0x58
6 I²C, Address 0x68
7 I²C, Address 0x78

Pressure Range^{3, 4}

| ±1.6 mbar to ±10 bar | ±160 Pa to ±1 MPa | ±0.5 inH ₂ O to ±150 psi |
|---------------------------------|-------------------------------|--|
| <i>Absolute</i> | <i>Absolute</i> | <i>Absolute</i> |
| 001BA 0 bar to 1 bar | 100KA 0 kPa to 100 kPa | 015PA 0 psi to 15 psi |
| 1.6BA 0 bar to 1.6 bar | 160KA 0 kPa to 160 kPa | 030PA 0 psi to 30 psi |
| 2.5BA 0 bar to 2.5 bar | 250KA 0 kPa to 250 kPa | 060PA 0 psi to 60 psi |
| 004BA 0 bar to 4 bar | 400KA 0 kPa to 400 kPa | 100PA 0 psi to 100 psi |
| 006BA 0 bar to 6 bar | 600KA 0 kPa to 600 kPa | 150PA 0 psi to 150 psi |
| 010BA 0 bar to 10 bar | 001GA 0 kPa to 1 MPa | |
| <i>Differential</i> | <i>Differential</i> | <i>Differential</i> |
| 1.6MD ±1.6 mbar | 160LD ±160 Pa | 0.5ND ±0.5 inH ₂ O |
| 2.5MD ±2.5 mbar | 250LD ±250 Pa | 001ND ±1 inH ₂ O |
| 004MD ±4 mbar | 400LD ±400 Pa | 002ND ±2 inH ₂ O |
| 006MD ±6 mbar | 600LD ±600 Pa | 004ND ±4 inH ₂ O |
| 010MD ±10 mbar | 001KD ±1 kPa | 005ND ±5 inH ₂ O |
| 016MD ±16 mbar | 1.6KD ±1.6 kPa | 010ND ±10 inH ₂ O |
| 025MD ±25 mbar | 2.5KD ±2.5 kPa | 020ND ±20 inH ₂ O |
| 040MD ±40 mbar | 004KD ±4 kPa | 030ND ±30 inH ₂ O |
| 060MD ±60 mbar | 006KD ±6 kPa | 001PD ±1 psi |
| 100MD ±100 mbar | 010KD ±10 kPa | 005PD ±5 psi |
| 160MD ±160 mbar | 016KD ±16 kPa | 015PD ±15 psi |
| 250MD ±250 mbar | 025KD ±25 kPa | 030PD ±30 psi |
| 400MD ±400 mbar | 040KD ±40 kPa | 060PD ±60 psi |
| 600MD ±600 mbar | 060KD ±60 kPa | |
| 001BD ±1 bar | 100KD ±100 kPa | |
| 1.6BD ±1.6 bar | 160KD ±160 kPa | |
| 2.5BD ±2.5 bar | 250KD ±250 kPa | |
| 004BD ±4 bar | 400KD ±400 kPa | |
| <i>Gage</i> | <i>Gage</i> | <i>Gage</i> |
| 2.5MG 0 mbar to 2.5 mbar | 250LG 0 Pa to 250 Pa | 001NG 0 inH ₂ O to 1 inH ₂ O |
| 004MG 0 mbar to 4 mbar | 400LG 0 Pa to 400 Pa | 002NG 0 inH ₂ O to 2 inH ₂ O |
| 006MG 0 mbar to 6 mbar | 600LG 0 Pa to 600 Pa | 004NG 0 inH ₂ O to 4 inH ₂ O |
| 010MG 0 mbar to 10 mbar | 001KG 0 kPa to 1 kPa | 005NG 0 inH ₂ O to 5 inH ₂ O |
| 016MG 0 mbar to 16 mbar | 1.6KG 0 kPa to 1.6 kPa | 010NG 0 inH ₂ O to 10 inH ₂ O |
| 025MG 0 mbar to 25 mbar | 2.5KG 0 kPa to 2.5 kPa | 020NG 0 inH ₂ O to 20 inH ₂ O |
| 040MG 0 mbar to 40 mbar | 004KG 0 kPa to 4 kPa | 030NG 0 inH ₂ O to 30 inH ₂ O |
| 060MG 0 mbar to 60 mbar | 006KG 0 kPa to 6 kPa | 001PG 0 psi to 1 psi |
| 100MG 0 mbar to 100 mbar | 010KG 0 kPa to 10 kPa | 005PG 0 psi to 5 psi |
| 160MG 0 mbar to 160 mbar | 016KG 0 kPa to 16 kPa | 015PG 0 psi to 15 psi |
| 250MG 0 mbar to 250 mbar | 025KG 0 kPa to 25 kPa | 030PG 0 psi to 30 psi |
| 400MG 0 bar to 400 mbar | 040KG 0 kPa to 40 kPa | 060PG 0 psi to 60 psi |
| 600MG 0 bar to 600 mbar | 060KG 0 kPa to 60 kPa | 100PG 0 psi to 100 psi |
| 001BG 0 bar to 1 bar | 100KG 0 kPa to 100 kPa | 150PG 0 psi to 150 psi |
| 1.6BG 0 bar to 1.6 bar | 160KG 0 kPa to 160 kPa | |
| 2.5BG 0 bar to 2.5 bar | 250KG 0 kPa to 250 kPa | |
| 004BG 0 bar to 4 bar | 400KG 0 kPa to 400 kPa | |
| 006BG 0 bar to 6 bar | 600KG 0 kPa to 600 kPa | |
| 010BG 0 bar to 10 bar | 001GG 0 kPa to 1 MPa | |

¹The transfer function limits define the output of the sensor at a given pressure input. By specifying Pmin. and Pmax., the output at Pmin. and Pmax., the complete transfer function of the sensor is defined. See the graphical representations of the transfer function in Figure 2. For other available transfer functions contact Honeywell Customer Service.

²SPI output function is not available in SIP package.

³Custom pressure ranges are available. Contact Honeywell Customer Service for more information.

⁴See the explanation of sensor pressure types in Table 4.

⁵See the CAUTION in this document.

⁶Options T and V are only available on pressure ranges ±60 mbar to ±10 bar | ±6 kPa to ±1 MPa | ±1 psi to ±150 psi.

Pressure Range Specifications

±1.6 mbar to ±10 bar

Table 8. Pressure Range Specifications for ±1.6 mbar to ±10 bar

| Pressure Range (see Figure 4) | Pressure Range | | Unit | Working Pressure ¹ | Over Pressure ² | Burst Pressure ³ | Common Mode Pressure ⁴ | Total Error Band ⁵ (%FSS) | Total Error Band after Auto-Zero ⁶ (%FSS) | Long-term Stability 1000 hr, 25 °C (%FSS) |
|-------------------------------|----------------|-------|------|-------------------------------|----------------------------|-----------------------------|-----------------------------------|--------------------------------------|--|---|
| | Pmin. | Pmax. | | | | | | | | |
| Absolute | | | | | | | | | | |
| 001BA | 0 | 1 | bar | - | 2 | 4 | - | 2% | - | ±0.25% |
| 1.6BA | 0 | 1.6 | bar | - | 4 | 8 | - | 2% | - | ±0.25% |
| 2.5BA | 0 | 2.5 | bar | - | 6 | 8 | - | 2% | - | ±0.25% |
| 004BA | 0 | 4 | bar | - | 8 | 16 | - | 2% | - | ±0.25% |
| 006BA | 0 | 6 | bar | - | 17 | 17 | - | 2% | - | ±0.25% |
| 010BA | 0 | 10 | bar | - | 17 | 17 | - | 2% | - | ±0.25% |
| Differential | | | | | | | | | | |
| 1.6MD | -1.6 | 1.6 | mbar | 335 | 675 | 1000 | 3450 | ±3.5% | ±2.5% | ±0.5% |
| 2.5MD | -2.5 | 2.5 | mbar | 335 | 675 | 1000 | 3450 | ±3% | ±1.5% | ±0.35% |
| 004MD | -4 | 4 | mbar | 335 | 675 | 1000 | 3450 | ±2.5% | ±1% | ±0.35% |
| 006MD | -6 | 6 | mbar | 335 | 675 | 1000 | 3450 | ±2% | ±1% | ±0.35% |
| 010MD | -10 | 10 | mbar | 375 | 750 | 1250 | 5450 | ±2% | ±0.75% | ±0.25% |
| 016MD | -16 | 16 | mbar | 375 | 750 | 1250 | 5450 | ±2% | ±0.75% | ±0.25% |
| 025MD | -25 | 25 | mbar | 435 | 850 | 1350 | 10450 | ±2% | ±0.75% | ±0.25% |
| 040MD | -40 | 40 | mbar | 435 | 850 | 1350 | 10450 | ±2% | ±0.75% | ±0.25% |
| 060MD | -60 | 60 | mbar | - | 850 | 1000 | 10000 | ±2% | - | ±0.25% |
| 100MD | -100 | 100 | mbar | - | 1400 | 2500 | 10000 | ±2% | - | ±0.25% |
| 160MD | -160 | 160 | mbar | - | 1400 | 2500 | 10000 | ±2% | - | ±0.25% |
| 250MD | -250 | 250 | mbar | - | 1400 | 2500 | 10000 | ±2% | - | ±0.25% |
| 400MD | -400 | 400 | mbar | - | 2000 | 4000 | 10000 | ±2% | - | ±0.25% |
| 600MD | -600 | 600 | mbar | - | 2000 | 4000 | 10000 | ±2% | - | ±0.25% |
| 001BD | -1 | 1 | bar | - | 4 | 8 | 10 | ±2% | - | ±0.25% |
| 1.6BD | -1.6 | 1.6 | bar | - | 8 | 16 | 10 | ±2% | - | ±0.25% |
| 2.5BD | -2.5 | 2.5 | bar | - | 8 | 16 | 10 | ±2% | - | ±0.25% |
| 004BD | -4.0 | 4.0 | bar | - | 16 | 17 | 10 | ±2% | - | ±0.25% |
| Gage | | | | | | | | | | |
| 2.5MG | 0 | 2.5 | mbar | 335 | 675 | 1000 | 3450 | ±4% | ±3% | ±0.5% |
| 004MG | 0 | 4 | mbar | 335 | 675 | 1000 | 3450 | ±3% | ±1.5% | ±0.5% |
| 006MG | 0 | 6 | mbar | 335 | 675 | 1000 | 3450 | ±3% | ±1.5% | ±0.35% |
| 010MG | 0 | 10 | mbar | 335 | 675 | 1000 | 3450 | ±2% | ±1% | ±0.35% |
| 016MG | 0 | 16 | mbar | 335 | 675 | 1000 | 3450 | ±2% | ±1% | ±0.25% |
| 025MG | 0 | 25 | mbar | 375 | 750 | 1250 | 5450 | ±2% | ±0.75% | ±0.25% |
| 040MG | 0 | 40 | mbar | 375 | 750 | 1250 | 5450 | ±2% | ±0.75% | ±0.25% |
| 060MG | 0 | 60 | mbar | - | 850 | 1000 | 5450 | ±2% | ±0.75% | ±0.25% |
| 100MG | 0 | 100 | mbar | - | 850 | 1000 | 10000 | ±2% | - | ±0.25% |
| 160MG | 0 | 160 | mbar | - | 850 | 1000 | 10000 | ±2% | - | ±0.25% |
| 250MG | 0 | 250 | mbar | - | 1400 | 2500 | 10000 | ±2% | - | ±0.25% |
| 400MG | 0 | 400 | mbar | - | 2000 | 4000 | 10000 | ±2% | - | ±0.25% |
| 600MG | 0 | 600 | mbar | - | 2000 | 4000 | 10000 | ±2% | - | ±0.25% |
| 001BG | 0 | 1 | bar | - | 2 | 4 | 10 | ±2% | - | ±0.25% |
| 1.6BG | 0 | 1.6 | bar | - | 4 | 8 | 10 | ±2% | - | ±0.25% |
| 2.5BG | 0 | 2.5 | bar | - | 8 | 16 | 10 | ±2% | - | ±0.25% |
| 004BG | 0 | 4 | bar | - | 8 | 16 | 16 | ±2% | - | ±0.25% |
| 006BG | 0 | 6 | bar | - | 17 | 17 | 17 | ±2% | - | ±0.25% |
| 010BG | 0 | 10 | bar | - | 17 | 17 | 17 | ±2% | - | ±0.25% |

¹Working pressure: The maximum pressure that may be applied to any port of the sensor in continuous use. This pressure may be outside the operating pressure range limits (Pmin. to Pmax.) in which case the sensor may not provide a valid output until pressure is returned to within the operating pressure range. Tested to 1 million cycles, minimum.

²Overpressure: The maximum pressure which may safely be applied to the product for it to remain in specification once pressure is returned to the operating pressure range. Exposure to higher pressures may cause permanent damage to the product. Unless otherwise specified this applies to all available pressure ports at any temperature with the operating temperature range.

³Burst pressure: The maximum pressure that may be applied to any port of the product without causing escape of pressure media. Product should not be expected to function after exposure to any pressure beyond the burst pressure.

⁴Common mode pressure: The maximum pressure that can be applied simultaneously to both ports of a differential pressure sensor without causing changes in specified performance.

⁵Total Error Band: The maximum deviation from the ideal transfer function over the entire compensated temperature and pressure range. Includes all errors due to offset, full scale span, pressure non-linearity, pressure hysteresis, repeatability, thermal effect on offset, thermal effect on span, and thermal hysteresis (see Figure 1).

⁶Total Error Band after Auto-Zero: The maximum deviation from the ideal transfer function over the entire compensated pressure range at a constant temperature and supply voltage for a minimum of 24 hours after an auto-zero operation. Includes all errors due to full scale span, pressure non-linearity, pressure hysteresis, and thermal effect on span.

Pressure Range Specifications

±160 Pa to ±1 MPa

Table 9. Pressure Range Specifications for ±160 Pa to ±1 MPa

| Pressure Range (see Figure 4) | Pressure Range | | Unit | Working Pressure ¹ | Over Pressure ² | Burst Pressure ³ | Common Mode Pressure ⁴ | Total Error Band ⁵ (%FSS) | Total Error Band after Auto-Zero ⁶ (%FSS) | Long-term Stability 1000 hr, 25 °C (%FSS) |
|-------------------------------|----------------|-------|------|-------------------------------|----------------------------|-----------------------------|-----------------------------------|--------------------------------------|--|---|
| | Pmin. | Pmax. | | | | | | | | |
| Absolute | | | | | | | | | | |
| 100KA | 0 | 100 | kPa | - | 200 | 400 | - | ±2% | - | ±0.25% |
| 160KA | 0 | 160 | kPa | - | 400 | 800 | - | ±2% | - | ±0.25% |
| 250KA | 0 | 250 | kPa | - | 600 | 800 | - | ±2% | - | ±0.25% |
| 400KA | 0 | 400 | kPa | - | 800 | 1600 | - | ±2% | - | ±0.25% |
| 600KA | 0 | 600 | kPa | - | 1700 | 1700 | - | ±2% | - | ±0.25% |
| 001GA | 0 | 1 | MPa | - | 1700 | 1700 | - | ±2% | - | ±0.25% |
| Differential | | | | | | | | | | |
| 160LD | -160 | 160 | Pa | 33500 | 67500 | 100000 | 345000 | ±3.5% | ±2.5% | ±0.5% |
| 250LD | -250 | 250 | Pa | 33500 | 67500 | 100000 | 345000 | ±3% | ±1.5% | ±0.35% |
| 400LD | -400 | 400 | Pa | 33500 | 67500 | 100000 | 345000 | ±2.5% | ±1% | ±0.35% |
| 600LD | -600 | 600 | Pa | 33500 | 67500 | 100000 | 345000 | ±2% | ±1% | ±0.35% |
| 001KD | -1 | 1 | kPa | 37.5 | 75 | 125 | 545 | ±2% | ±0.75% | ±0.25% |
| 1.6KD | -1.6 | 1.6 | kPa | 37.5 | 75 | 125 | 545 | ±2% | ±0.75% | ±0.25% |
| 2.5KD | -2.5 | 2.5 | kPa | 43.5 | 85 | 135 | 1045 | ±2% | ±0.75% | ±0.25% |
| 004KD | -4 | 4 | kPa | 43.5 | 85 | 135 | 1045 | ±2% | ±0.75% | ±0.25% |
| 006KD | -6 | 6 | kPa | - | 85 | 100 | 1000 | ±2% | - | ±0.25% |
| 010KD | -10 | 10 | kPa | - | 140 | 250 | 1000 | ±2% | - | ±0.25% |
| 016KD | -16 | 16 | kPa | - | 140 | 250 | 1000 | ±2% | - | ±0.25% |
| 025KD | -25 | 25 | kPa | - | 140 | 250 | 1000 | ±2% | - | ±0.25% |
| 040KD | -40 | 40 | kPa | - | 200 | 400 | 1000 | ±2% | - | ±0.25% |
| 060KD | -60 | 60 | kPa | - | 200 | 400 | 1000 | ±2% | - | ±0.25% |
| 100KD | -100 | 100 | kPa | - | 400 | 800 | 1000 | ±2% | - | ±0.25% |
| 160KD | -160 | 160 | kPa | - | 800 | 1600 | 1000 | ±2% | - | ±0.25% |
| 250KD | -250 | 250 | kPa | - | 800 | 1600 | 1000 | ±2% | - | ±0.25% |
| 400KD | -400 | 400 | kPa | - | 1600 | 1700 | 1000 | ±2% | - | ±0.25% |
| Gage | | | | | | | | | | |
| 250LG | 0 | 250 | Pa | 33500 | 67500 | 100000 | 345000 | ±4% | ±3% | ±0.5% |
| 400LG | 0 | 400 | Pa | 33500 | 67500 | 100000 | 345000 | ±3% | ±1.5% | ±0.5% |
| 600LG | 0 | 600 | Pa | 33500 | 67500 | 100000 | 345000 | ±3% | ±1.5% | ±0.35% |
| 001KG | 0 | 1 | kPa | 33.5 | 67.5 | 100 | 345 | ±2% | ±1% | ±0.35% |
| 1.6KG | 0 | 1.6 | kPa | 33.5 | 67.5 | 100 | 345 | ±2% | ±1% | ±0.25% |
| 2.5KG | 0 | 2.5 | kPa | 37.5 | 75 | 125 | 545 | ±2% | ±0.75% | ±0.25% |
| 004KG | 0 | 4 | kPa | 37.5 | 75 | 125 | 545 | ±2% | ±0.75% | ±0.25% |
| 006KG | 0 | 6 | kPa | - | 85 | 100 | 545 | ±2% | ±0.75% | ±0.25% |
| 010KG | 0 | 10 | kPa | - | 85 | 100 | 1000 | ±2% | - | ±0.25% |
| 016KG | 0 | 16 | kPa | - | 85 | 100 | 1000 | ±2% | - | ±0.25% |
| 025KG | 0 | 25 | kPa | - | 140 | 250 | 1000 | ±2% | - | ±0.25% |
| 040KG | 0 | 40 | kPa | - | 200 | 400 | 1000 | ±2% | - | ±0.25% |
| 060KG | 0 | 60 | kPa | - | 200 | 400 | 1000 | ±2% | - | ±0.25% |
| 100KG | 0 | 100 | kPa | - | 200 | 400 | 1000 | ±2% | - | ±0.25% |
| 160KG | 0 | 160 | kPa | - | 400 | 800 | 1000 | ±2% | - | ±0.25% |
| 250KG | 0 | 250 | kPa | - | 800 | 1600 | 1000 | ±2% | - | ±0.25% |
| 400KG | 0 | 400 | kPa | - | 800 | 1600 | 1600 | ±2% | - | ±0.25% |
| 600KG | 0 | 600 | kPa | - | 1700 | 1700 | 1700 | ±2% | - | ±0.25% |
| 001GG | 0 | 1 | MPa | - | 1.7 | 1.7 | 1.7 | ±2% | - | ±0.25% |

¹Working pressure: The maximum pressure that may be applied to any port of the sensor in continuous use. This pressure may be outside the operating pressure range limits (Pmin. to Pmax.) in which case the sensor may not provide a valid output until pressure is returned to within the operating pressure range. Tested to 1 million cycles, minimum.

²Overpressure: The maximum pressure which may safely be applied to the product for it to remain in specification once pressure is returned to the operating pressure range. Exposure to higher pressures may cause permanent damage to the product. Unless otherwise specified this applies to all available pressure ports at any temperature with the operating temperature range.

³Burst pressure: The maximum pressure that may be applied to any port of the product without causing escape of pressure media. Product should not be expected to function after exposure to any pressure beyond the burst pressure.

⁴Common mode pressure: The maximum pressure that can be applied simultaneously to both ports of a differential pressure sensor without causing changes in specified performance.

⁵Total Error Band: The maximum deviation from the ideal transfer function over the entire compensated temperature and pressure range. Includes all errors due to offset, full scale span, pressure non-linearity, pressure hysteresis, repeatability, thermal effect on offset, thermal effect on span, and thermal hysteresis (see Figure 1).

⁶Total Error Band after Auto-Zero: The maximum deviation from the ideal transfer function over the entire compensated pressure range at a constant temperature and supply voltage for a minimum of 24 hours after an auto-zero operation. Includes all errors due to full scale span, pressure non-linearity, pressure hysteresis, and thermal effect on span.

Specifications

±0.5 inH₂O to ±150 psi

Table 10. Pressure Range Specifications for 0.5 inH₂O to 150 psi

| Pressure Range (see Figure 4) | Pressure Range | | Unit | Working Pressure ¹ | Over Pressure ² | Burst Pressure ³ | Common Mode Pressure ⁴ | Total Error Band ⁵ (%FSS) | Total Error Band after Auto-Zero ⁶ (%FSS) | Long-term Stability 1000 hr, 25 °C (%FSS) |
|----------------------------------|----------------|-------|--------------------|-------------------------------|----------------------------|-----------------------------|-----------------------------------|---|---|---|
| | Pmin. | Pmax. | | | | | | | | |
| Absolute | | | | | | | | | | |
| 015PA | 0 | 15 | psi | - | 30 | 60 | - | ±2% | - | ±0.25% |
| 030PA | 0 | 30 | psi | - | 60 | 120 | - | ±2% | - | ±0.25% |
| 060PA | 0 | 60 | psi | - | 120 | 240 | - | ±2% | - | ±0.25% |
| 100PA | 0 | 100 | psi | - | 250 | 250 | - | ±2% | - | ±0.25% |
| 150PA | 0 | 150 | psi | - | 250 | 250 | - | ±2% | - | ±0.25% |
| Differential | | | | | | | | | | |
| 0.5ND | -0.5 | 0.5 | inH ₂ O | 135 | 270 | 415 | 1400 | ±4% | ±3% | ±0.5% |
| 001ND | -1 | 1 | inH ₂ O | 135 | 270 | 415 | 1400 | ±3% | ±1.5% | ±0.35% |
| 002ND | -2 | 2 | inH ₂ O | 135 | 270 | 415 | 1400 | ±2% | ±1% | ±0.35% |
| 004ND | -4 | 4 | inH ₂ O | 150 | 300 | 500 | 2200 | ±2% | ±0.75% | ±0.25% |
| 005ND | -5 | 5 | inH ₂ O | 150 | 300 | 500 | 2200 | ±2% | ±0.75% | ±0.25% |
| 010ND | -10 | 10 | inH ₂ O | 175 | 350 | 550 | 4200 | ±2% | ±0.75% | ±0.25% |
| 020ND | -20 | 20 | inH ₂ O | 175 | 350 | 550 | 4200 | ±2% | ±0.75% | ±0.25% |
| 030ND | -30 | 30 | inH ₂ O | 175 | 350 | 550 | 4200 | ±2% | ±0.75% | ±0.25% |
| 001PD | -1 | 1 | psi | - | 10 | 15 | 150 | ±2% | - | ±0.25% |
| 005PD | -5 | 5 | psi | - | 30 | 40 | 150 | ±2% | - | ±0.25% |
| 015PD | -15 | 15 | psi | - | 60 | 120 | 150 | ±2% | - | ±0.25% |
| 030PD | -30 | 30 | psi | - | 120 | 240 | 150 | ±2% | - | ±0.25% |
| 060PD | -60 | 60 | psi | - | 250 | 250 | 250 | ±2% | - | ±0.25% |
| Gage | | | | | | | | | | |
| 001NG | 0 | 1 | inH ₂ O | 135 | 270 | 415 | 1400 | ±4% | ±3% | ±0.5% |
| 002NG | 0 | 2 | inH ₂ O | 135 | 270 | 415 | 1400 | ±3% | ±1.5% | ±0.35% |
| 004NG | 0 | 4 | inH ₂ O | 135 | 270 | 415 | 1400 | ±2% | ±1% | ±0.35% |
| 005NG | 0 | 5 | inH ₂ O | 135 | 270 | 415 | 1400 | ±2% | ±1% | ±0.25% |
| 010NG | 0 | 10 | inH ₂ O | 150 | 300 | 500 | 2200 | ±2% | ±0.75% | ±0.25% |
| 020NG | 0 | 20 | inH ₂ O | 175 | 350 | 550 | 4200 | ±2% | ±0.75% | ±0.25% |
| 030NG | 0 | 30 | inH ₂ O | 175 | 350 | 550 | 4200 | ±2% | ±0.75% | ±0.25% |
| 001PG | 0 | 1 | psi | - | 10 | 15 | 150 | ±2% | - | ±0.25% |
| 005PG | 0 | 5 | psi | - | 30 | 40 | 150 | ±2% | - | ±0.25% |
| 015PG | 0 | 15 | psi | - | 60 | 120 | 150 | ±2% | - | ±0.25% |
| 030PG | 0 | 30 | psi | - | 120 | 240 | 150 | ±2% | - | ±0.25% |
| 060PG | 0 | 60 | psi | - | 250 | 250 | 250 | ±2% | - | ±0.25% |
| 100PG | 0 | 100 | psi | - | 250 | 250 | 250 | ±2% | - | ±0.25% |
| 150PG | 0 | 150 | psi | - | 250 | 250 | 250 | ±2% | - | ±0.25% |

¹Working pressure: The maximum pressure that may be applied to any port of the sensor in continuous use. This pressure may be outside the operating pressure range limits (Pmin. to Pmax.) in which case the sensor may not provide a valid output until pressure is returned to within the operating pressure range. Tested to 1 million cycles, minimum.

²Overpressure: The maximum pressure which may safely be applied to the product for it to remain in specification once pressure is returned to the operating pressure range. Exposure to higher pressures may cause permanent damage to the product. Unless otherwise specified this applies to all available pressure ports at any temperature with the operating temperature range.

³Burst pressure: The maximum pressure that may be applied to any port of the product without causing escape of pressure media. Product should not be expected to function after exposure to any pressure beyond the burst pressure.

⁴Common mode pressure: The maximum pressure that can be applied simultaneously to both ports of a differential pressure sensor without causing changes in specified performance.

⁵Total Error Band: The maximum deviation from the ideal transfer function over the entire compensated temperature and pressure range. Includes all errors due to offset, full scale span, pressure non-linearity, pressure hysteresis, repeatability, thermal effect on offset, thermal effect on span, and thermal hysteresis

⁶Total Error Band after Auto-Zero: The maximum deviation from the ideal transfer function over the entire compensated pressure range at a constant temperature and supply voltage for a minimum of 24 hours after an auto-zero operation. Includes all errors due to full scale span, pressure non-linearity, pressure hysteresis, and thermal effect on span.

Available Standard Configurations

Figure 5. All Available Standard Configurations (Dimensional drawings on pages noted below.)

| Package Code | Pressure Port | | |
|--------------|---|---|---|
| | DIP | SMT | SIP |
| NN |  <i>page 19</i> |  <i>page 21</i> |  <i>page 24</i> |
| AA | — | — |  <i>page 24</i> |
| AN |  <i>page 19</i> |  <i>page 22</i> |  <i>page 25</i> |
| LN |  <i>page 19</i> |  <i>page 22</i> |  <i>page 25</i> |
| FF | — | — |  <i>page 25</i> |
| FN | — | — |  <i>page 26</i> |
| GN | — | — |  <i>page 26</i> |
| NB | — | — |  <i>page 26</i> |
| RN |  <i>page 20</i> |  <i>page 22</i> |  <i>page 27</i> |

Available Standard Configurations

Figure 5. All Available Standard Configurations (Continued; dimensional drawings on pages noted below.)

| Package Code | Pressure Port | | |
|--------------|--|--|---|
| | DIP | SMT | SIP |
| RR |  <i>page 20</i> |  <i>page 23</i> |  <i>page 27</i> |
| DR |  <i>page 20</i> |  <i>page 23</i> |  <i>page 27</i> |
| JN |  <i>page 21</i> |  <i>page 23</i> |  <i>page 28</i> |
| JJ |  <i>page 21</i> |  <i>page 24</i> |  <i>page 28</i> |
| HH | — | — |  <i>page 28</i> |
| HN | — | — |  <i>page 29</i> |
| MN | — | — |  <i>page 29</i> |
| SN | — | — |  <i>page 29</i> |

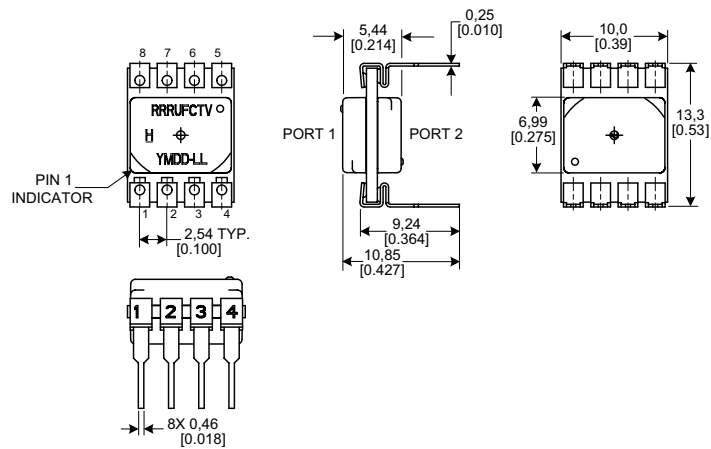
Dimensional Drawings

DIP Packages

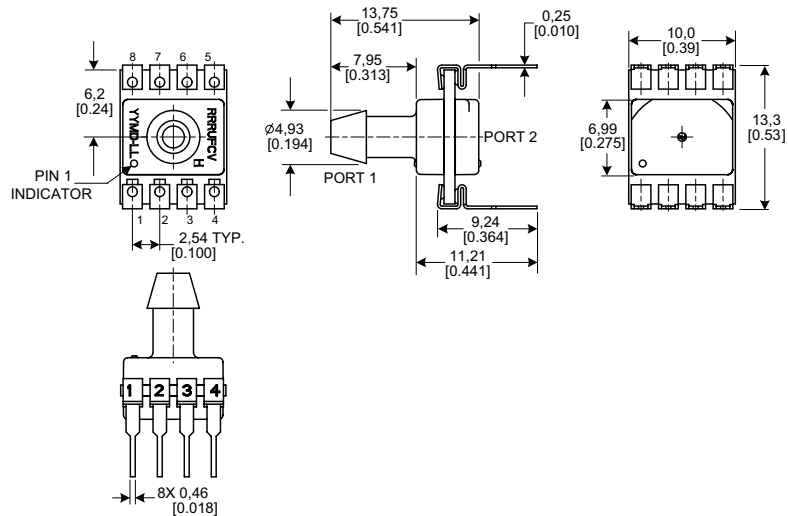
Figure 6. DIP Package Dimensional Drawings (For reference only: mm [in].)

Dimensions

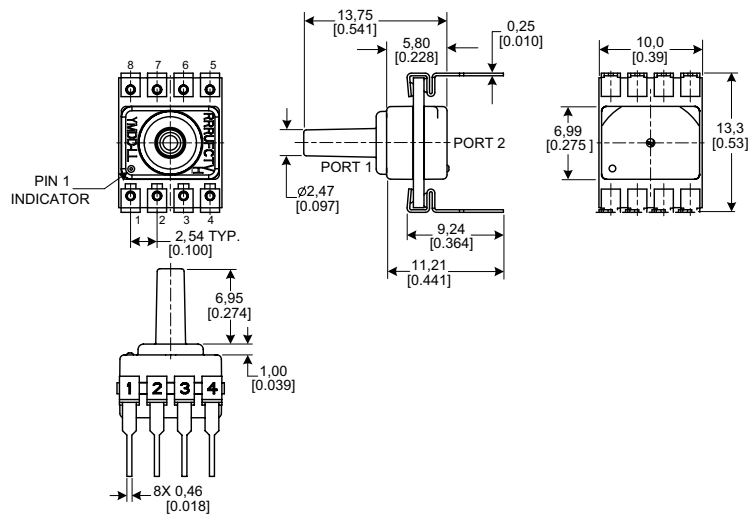
DIP NN: No ports



DIP AN: Single axial barbed port



DIP LN: Single axial barbless port



Dimensional Drawings

DIP Packages

Figure 6. DIP Package Dimensional Drawings (continued)

Dimensions

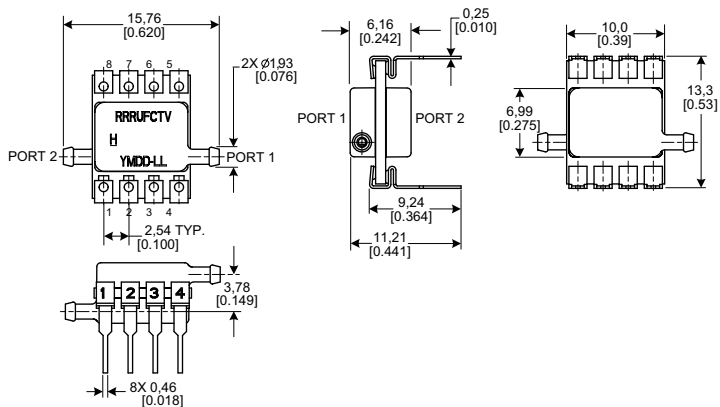
DIP RN: Single radial barbed port



DIP RR: Dual radial barbed ports, same side



DIP DR: Dual radial barbed ports, opposite sides



Dimensional Drawings

DIP and SMT Packages

Figure 6. DIP Package Dimensional Drawings (continued)

Dimensions

DIP JN: Single radial barbless port



DIP JJ: Dual radial barbless ports, same side

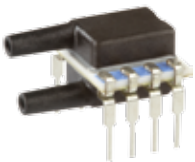


Figure 7. SMT Package Dimensional Drawings (For reference only: mm [in].)

Dimensions

SMT NN: No ports



Dimensional Drawings

SMT Packages

Figure 7. SMT Package Dimensional Drawings (continued)

Dimensions

SMT AN: Single axial barbed port



SMT LN: Single axial barbless port



SMT RN: Single radial barbed port



Dimensional Drawings

SMT Packages

Figure 7. SMT Package Dimensional Drawings (continued)

Dimensions

SMT RR: Dual radial barbed ports, same side



SMT DR: Dual radial barbed ports, opposite sides



SMT JN: Single radial barbless port



Dimensional Drawings

SMT and SIP Packages

Figure 7. SMT Package Dimensional Drawings (continued)



Figure 8. SIP Package Dimensional Drawings (For reference only: mm [in.]



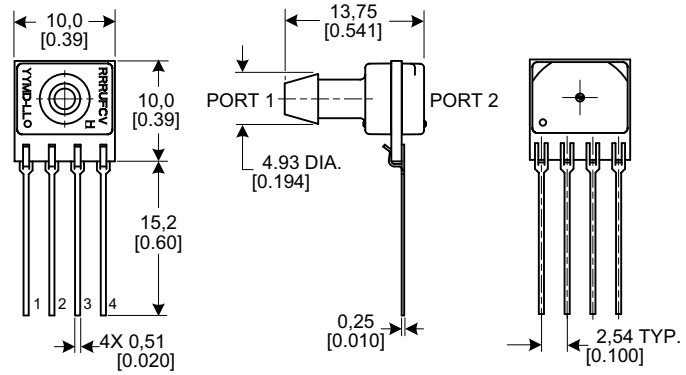
Dimensional Drawings

SIP Packages

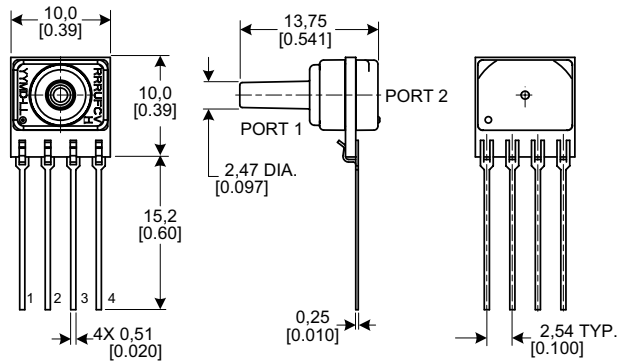
Figure 8. SIP Package Dimensional Drawings (continued)

Dimensions

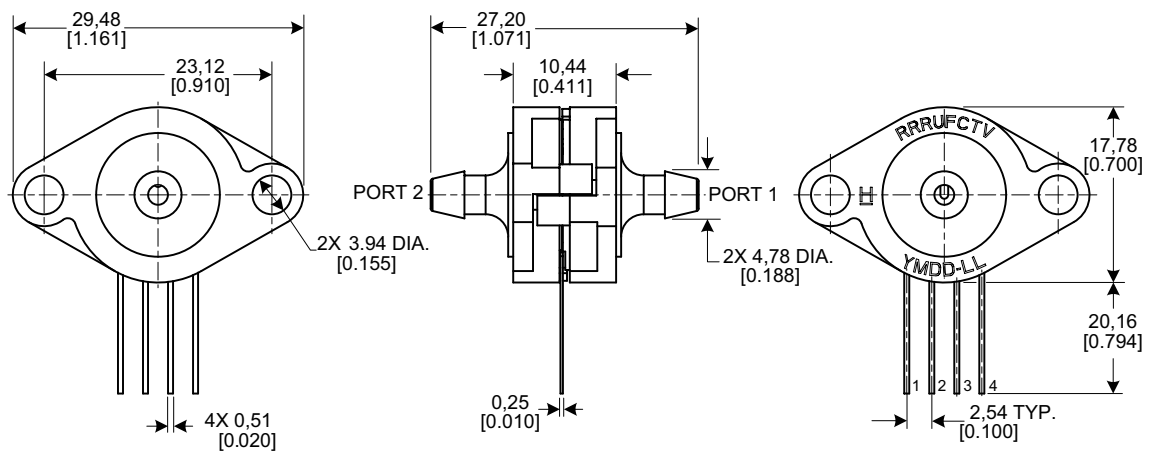
SIP AN: Single axial barbed port



SIP LN: Single axial barbless port



SIP FF: Fastener mount, dual axial barbed ports, opposite sides



Dimensional Drawings

SIP Packages

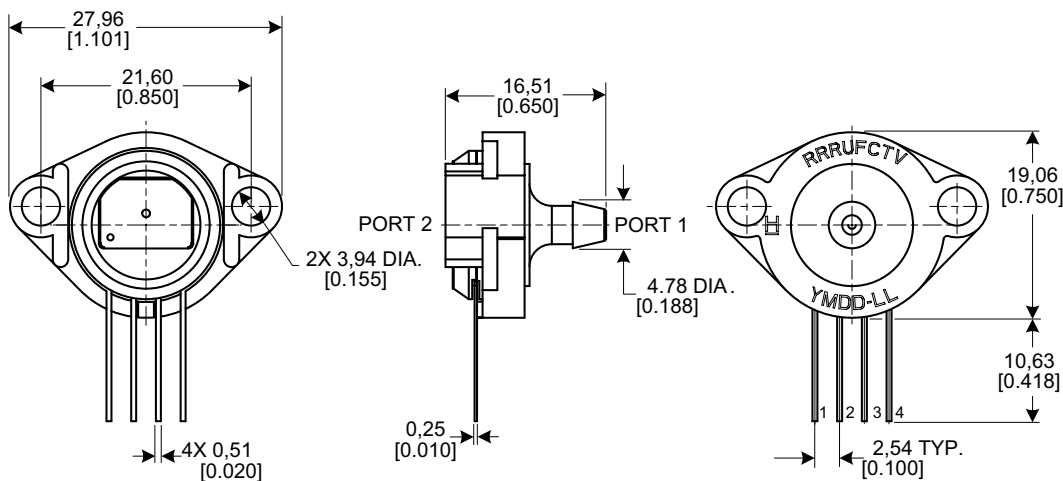
Figure 8. SIP Package Dimensional Drawings (continued)

Dimensions

SIP FN: Fastener mount, single axial barbed port



SIP GN: Ribbed fastener mount, single axial barbed port



SIP NB: Fastener mount, dual axial ports, same side



Dimensional Drawings

SIP Packages

Figure 8. SIP Package Dimensional Drawings (continued)

Dimensions

SIP RN: Single radial barbed port



SIP RR: Dual radial barbed ports, same side



SIP DR: Dual radial barbed ports, opposite sides



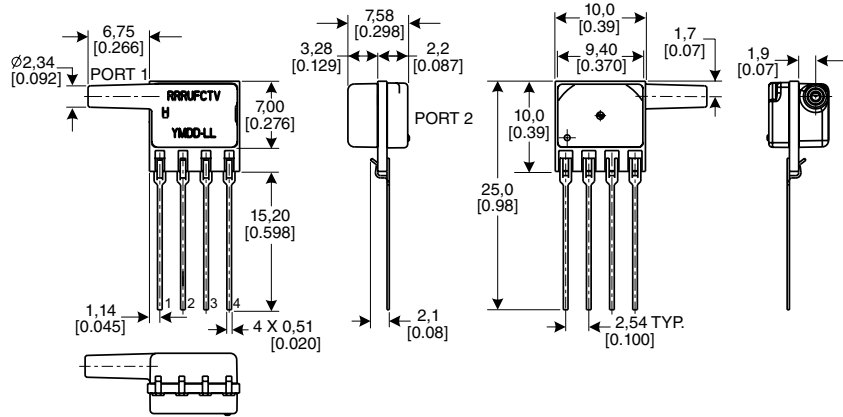
Dimensional Drawings

SIP Packages

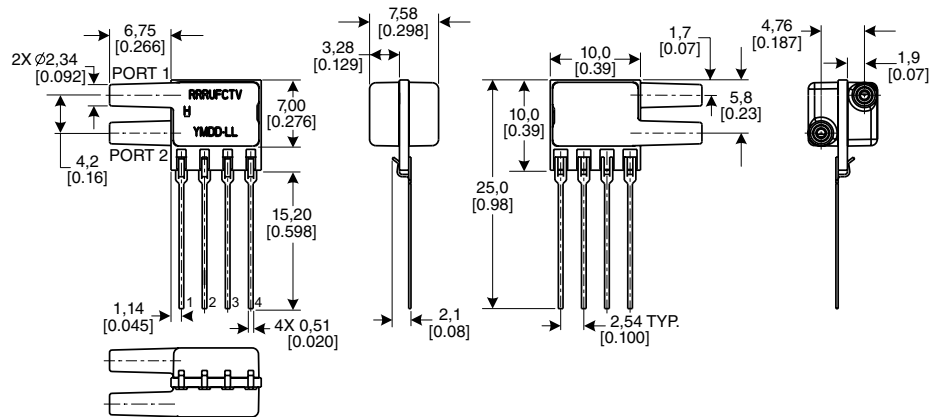
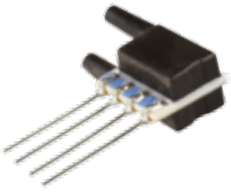
Figure 8. SIP Package Dimensional Drawings (continued)

Dimensions

SIP JN: Single radial barbless port



SIP JJ: Dual radial barbless ports, same side



SIP HH: Fastener mount dual radial barbed ports, same side



Dimensional Drawings

SIP Packages

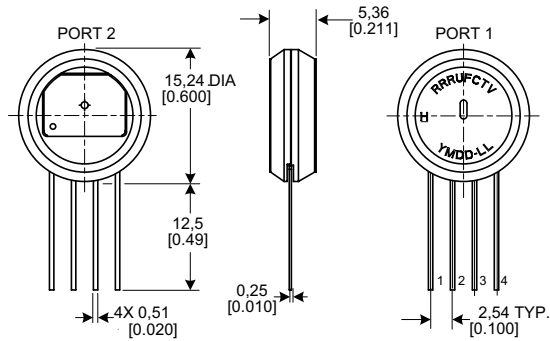
Figure 8. SIP Package Dimensional Drawings (continued)

Dimensions

SIP HN: Fastener mount single radial barbed port



SIP MN: Manifold mount, outer diameter seal



SIP SN: Manifold mount, inner diameter seal



Pinouts, PCB Pad Layout

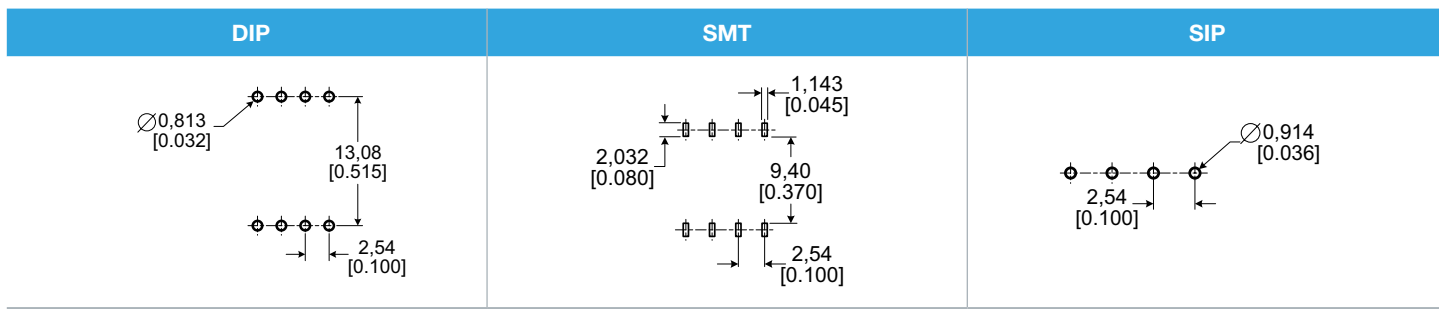
Table 11. Pinouts for DIP and SMT Packages

| Output Type | Pin 1 | Pin 2 | Pin 3 | Pin 4 | Pin 5 | Pin 6 | Pin 7 | Pin 8 |
|------------------|-------|---------------------|------------------|-------|-------|-------|-------|-------|
| I ² C | GND | V _{supply} | SDA | SCL | NC | NC | NC | NC |
| SPI | GND | V _{supply} | MISO | SCLK | SS | NC | NC | NC |
| Analog | NC | V _{supply} | V _{out} | GND | NC | NC | NC | NC |

Table 12. Pinouts for SIP Packages

| Output Type | Pin 1 | Pin 2 | Pin 3 | Pin 4 |
|------------------|-------|---------------------|------------------|-------|
| I ² C | GND | V _{supply} | SDA | SCL |
| Analog | NC | V _{supply} | V _{out} | GND |

Figure 9. Recommended PCB Pad Layouts



TruStability® Board Mount Pressure Sensors Portfolio Overview

Table 13. TruStability® Board Mount Pressure Sensors Portfolio Overview

| Characteristic | Series | | | |
|--|-----------------------|-----------------------|-----------------------|-----------------------|
| | HSC | SSC | TSC | NSC |
| Package: DIP (Dual In-Line Pin) SMT (Surface Mount Technology) SIP (Single In-Line Pin) | ✓ ✓ ✓ | ✓ ✓ ✓ | ✓ ✓ ✓ | ✓ ✓ ✓ |
| Option: dry gases only, no diagnostics (all pressure ranges) dry gases only, diagnostics on (all pressure ranges) liquid media on port 1, no diagnostics (±60 mbar to ±10 bar ±6 kPa to ±1 MPa ±1 psi to ±150 psi) liquid media on port 1, diagnostics on (±60 mbar to ±10 bar ±6 kPa to ±1 MPa ±1 psi to ±150 psi) | ✓ ✓ ✓ ✓ | ✓ ✓ ✓ ✓ | ✓ — ✓ — | ✓ — ✓ — |
| Pressure range: Absolute: 1 bar to 10 bar 100 kPa to 1 MPa 15 psi to 150 psi Differential: ±60 mbar to ±10 bar ±6 kPa to ±1 MPa ±1 psi to ±150 psi ±1.6 mbar to ±40 mbar ±160 Pa to ±4 kPa ±0.5 inH ₂ O to ±30 inH ₂ O Gage: 60 mbar to 10 bar 6 kPa to 1 MPa 1 psi to 150 psi 2.5 mbar to 40 mbar 250 Pa to 4 kPa 1 inH ₂ O to 30 inH ₂ O | ✓ ✓ ✓ ✓ ✓ | ✓ ✓ ✓ ✓ ✓ | — ✓ — ✓ — | ✓ ✓ ✓ ✓ ✓ |
| Temperature compensated | ✓ | ✓ | ✓ | — |
| Amplified | ✓ | ✓ | — | — |
| Output type: analog digital (SPI and I ² C) | ✓ ✓ | ✓ ✓ | ✓ — | ✓ — |
| Transfer function: 10% to 90% of V _{supply} (analog), 2 ¹⁴ counts (digital) 5% to 95% of V _{supply} (analog), 2 ¹⁴ counts (digital) 5% to 85% of V _{supply} (analog), 2 ¹⁴ counts (digital) 4% to 94% of V _{supply} (analog), 2 ¹⁴ counts (digital) | ✓ ✓ ✓ ✓ | ✓ ✓ ✓ ✓ | — — — — | — — — — |
| Supply voltage: 3.3 Vdc 5.0 Vdc 1.5 Vdc to 12.0 Vdc (for pressure ranges ≥60 mbar 6 kPa 1 psi) 2.7 Vdc to 6.5 Vdc (for pressure ranges ≤40 mbar 4 kPa 20 inH ₂ O) | ✓ ✓ — — | ✓ ✓ — — | — — ✓ — | — — ✓ ✓ |
| Accuracy ≤0.25 %FSS BFSL | ✓ | ✓ | ✓ | ✓ |
| Compensated temperature range: -20 °C to 85 °C [-4 °F to 185 °F] 0 °C to 85 °C [32 °F to 185 °F] 0 °C to 50 °C [32 °F to 122 °F] | — — ✓ | ✓ — — | — ✓ — | — — — |
| Operating temperature range: -20 °C to 85 °C [-4 °F to 185 °F] -40 °C to 85 °C [-40 °F to 185 °F] | ✓ — | — ✓ | — ✓ | — ✓ |
| Total Error Band: down to ±1% Full Scale Span max. down to ±2% Full Scale Span max. | ✓ — | — ✓ | — — | — — |

ADDITIONAL INFORMATION

The following associated literature is available at sensing.honeywell.com:

- Product line guide
- Product range guide
- Product nomenclature tree
- Installation instructions
- Application information
- Technical notes
 - I²C Communications with Honeywell Digital Output Pressure Sensors
 - SPI Communications with Honeywell Digital Output Pressure Sensors

⚠ WARNING

PERSONAL INJURY

DO NOT USE these products as safety or emergency stop devices or in any other application where failure of the product could result in personal injury.

Failure to comply with these instructions could result in death or serious injury.

⚠ WARNING

MISUSE OF DOCUMENTATION

- The information presented in this product sheet is for reference only. Do not use this document as a product installation guide.
- Complete installation, operation, and maintenance information is provided in the instructions supplied with each product.

Failure to comply with these instructions could result in death or serious injury.

WARRANTY/REMEDY

Honeywell warrants goods of its manufacture as being free of defective materials and faulty workmanship. Honeywell's standard product warranty applies unless agreed to otherwise by Honeywell in writing; please refer to your order acknowledgement or consult your local sales office for specific warranty details. If warranted goods are returned to Honeywell during the period of coverage, Honeywell will repair or replace, at its option, without charge those items it finds defective. **The foregoing is buyer's sole remedy and is in lieu of all other warranties, expressed or implied, including those of merchantability and fitness for a particular purpose. In no event shall Honeywell be liable for consequential, special, or indirect damages.**

While we provide application assistance personally, through our literature and the Honeywell website, it is up to the customer to determine the suitability of the product in the application.

Specifications may change without notice. The information we supply is believed to be accurate and reliable as of this printing. However, we assume no responsibility for its use.

Sales and Service

Honeywell serves its customers through a worldwide network of sales offices, representatives and distributors. For application assistance, current specifications, pricing or name of the nearest Authorized Distributor, contact your local sales office or email us at **info.sc@honeywell.com**. Visit us on the Web at **sensing.honeywell.com**

Phone and Fax:

| | |
|---------------|-------------------------|
| Asia Pacific | +65 6355-2828 |
| | +65 6445-3033 Fax |
| Europe | +44 (0) 1698 481481 |
| | +44 (0) 1698 481676 Fax |
| Latin America | +1-305-805-8188 |
| | +1-305-883-8257 Fax |
| USA/Canada | +1-800-537-6945 |
| | +1-815-235-6847 |
| | +1-815-235-6545 Fax |

Sensing and Control
Honeywell
1985 Douglas Drive North
Golden Valley, MN 55422
honeywell.com

50099533-A-EN GLO
August 2014
© 2014 Honeywell International Inc. All rights reserved.

The Honeywell logo is displayed in a bold, red, sans-serif font.

Компания «Океан Электроники» предлагает заключение долгосрочных отношений при поставках импортных электронных компонентов на взаимовыгодных условиях!

Наши преимущества:

- Поставка оригинальных импортных электронных компонентов напрямую с производств Америки, Европы и Азии, а так же с крупнейших складов мира;
- Широкая линейка поставок активных и пассивных импортных электронных компонентов (более 30 млн. наименований);
- Поставка сложных, дефицитных, либо снятых с производства позиций;
- Оперативные сроки поставки под заказ (от 5 рабочих дней);
- Экспресс доставка в любую точку России;
- Помощь Конструкторского Отдела и консультации квалифицированных инженеров;
- Техническая поддержка проекта, помощь в подборе аналогов, поставка прототипов;
- Поставка электронных компонентов под контролем ВП;
- Система менеджмента качества сертифицирована по Международному стандарту ISO 9001;
- При необходимости вся продукция военного и аэрокосмического назначения проходит испытания и сертификацию в лаборатории (по согласованию с заказчиком);
- Поставка специализированных компонентов военного и аэрокосмического уровня качества (Xilinx, Altera, Analog Devices, Intersil, Interpoint, Microsemi, Actel, Aeroflex, Peregrine, VPT, Syfer, Eurofarad, Texas Instruments, MS Kennedy, Miteq, Cobham, E2V, MA-COM, Hittite, Mini-Circuits, General Dynamics и др.);

Компания «Океан Электроники» является официальным дистрибьютором и эксклюзивным представителем в России одного из крупнейших производителей разъемов военного и аэрокосмического назначения «JONHON», а так же официальным дистрибьютором и эксклюзивным представителем в России производителя высокотехнологичных и надежных решений для передачи СВЧ сигналов «FORSTAR».



JONHON

«JONHON» (основан в 1970 г.)

Разъемы специального, военного и аэрокосмического назначения:

(Применяются в военной, авиационной, аэрокосмической, морской, железнодорожной, горно- и нефтедобывающей отраслях промышленности)

«FORSTAR» (основан в 1998 г.)

ВЧ соединители, коаксиальные кабели, кабельные сборки и микроволновые компоненты:

(Применяются в телекоммуникациях гражданского и специального назначения, в средствах связи, РЛС, а так же военной, авиационной и аэрокосмической отраслях промышленности).



Телефон: 8 (812) 309-75-97 (многоканальный)

Факс: 8 (812) 320-03-32

Электронная почта: ocean@oceanchips.ru

Web: <http://oceanchips.ru/>

Адрес: 198099, г. Санкт-Петербург, ул. Калинина, д. 2, корп. 4, лит. А