

Low Quiescent Current, PFM/PWM Synchronous Boost Regulator with True Output Disconnect or Input/Output Bypass Option

Features

- Up to 96% Typical Efficiency
- 650 mA Typical Peak Input Current Limit:
 - $I_{OUT} > 100 \text{ mA}$ @ $3.3V V_{OUT}$, $1.2V V_{IN}$
 - $I_{OUT} > 250 \text{ mA}$ @ $3.3V V_{OUT}$, $2.4V V_{IN}$
 - $I_{OUT} > 225 \text{ mA}$ @ $5.0V V_{OUT}$, $3.3V V_{IN}$
- Low Device Quiescent Current:
 - Output Quiescent Current: $< 4 \mu\text{A}$ typical, device is not switching ($V_{OUT} > V_{IN}$, excluding feedback divider current)
 - Input Sleep Current: $1 \mu\text{A}$
 - No Load Input Current: $14 \mu\text{A}$ typical
- Shutdown Current: $0.6 \mu\text{A}$ typical
- Low Start-Up Voltage: $0.82V$, 1 mA load
- Low Operating Input Voltage: down to $0.35V$
- Adjustable Output Voltage Range: $1.8V$ to $5.5V$
- Maximum Input Voltage $\leq V_{OUT} < 5.5V$
- Automatic PFM/PWM Operation:
 - PWM Operation: 500 kHz
 - PFM Output Ripple: 150 mV typical
- Feedback Voltage: $1.23V$
- Internal Synchronous Rectifier
- Internal Compensation
- Inrush Current Limiting and Internal Soft Start (1.5 ms typical)
- Selectable, Logic Controlled, Shutdown States:
 - True Load Disconnect Option (MCP16251)
 - Input-to-Output Bypass Option (MCP16252)
- Anti-Ringing Control
- Overtemperature Protection
- Available Packages:
 - SOT-23, 6-Lead
 - TDFN, $2 \times 3 \times 0.8 \text{ mm}$, 8-Lead

Applications

- One, Two and Three-Cell Alkaline and NiMH/NiCd Portable Products
- Solar Cell Applications
- Personal Care and Medical Products
- Bias for Status LEDs
- Smartphones, MP3 Players, Digital Cameras
- Remote Controllers, Portable Instruments
- Wireless Sensors
- Bluetooth Headsets
- +3.3V to +5.0V Distributed Power Supply

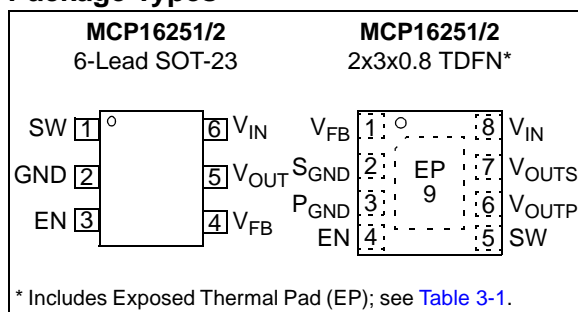
General Description

The MCP16251/2 is a compact, high-efficiency, fixed frequency, synchronous step-up DC-DC converter. This family of devices provides an easy-to-use power supply solution for applications powered by either one-cell, two-cell or three-cell alkaline, NiCd, NiMH, one-cell Li-Ion or Li-Polymer batteries.

Low-voltage technology allows the regulator to start-up without high inrush current or output voltage overshoot from a low-voltage input. High efficiency is accomplished by integrating the low-resistance N-Channel boost switch and synchronous P-Channel switch. All compensation and protection circuitry are integrated to minimize external components. MCP16251/2 operates and consumes less than $14 \mu\text{A}$ from battery after start-up, while operating at no load ($V_{OUT} = 3.3V$, $V_{IN} = 1.5V$). The devices provide a true disconnect from input to output (MCP16251) or an input-to-output bypass (MCP16252), while in shutdown ($EN = GND$). Both shutdown options consume less than $0.6 \mu\text{A}$ from battery.

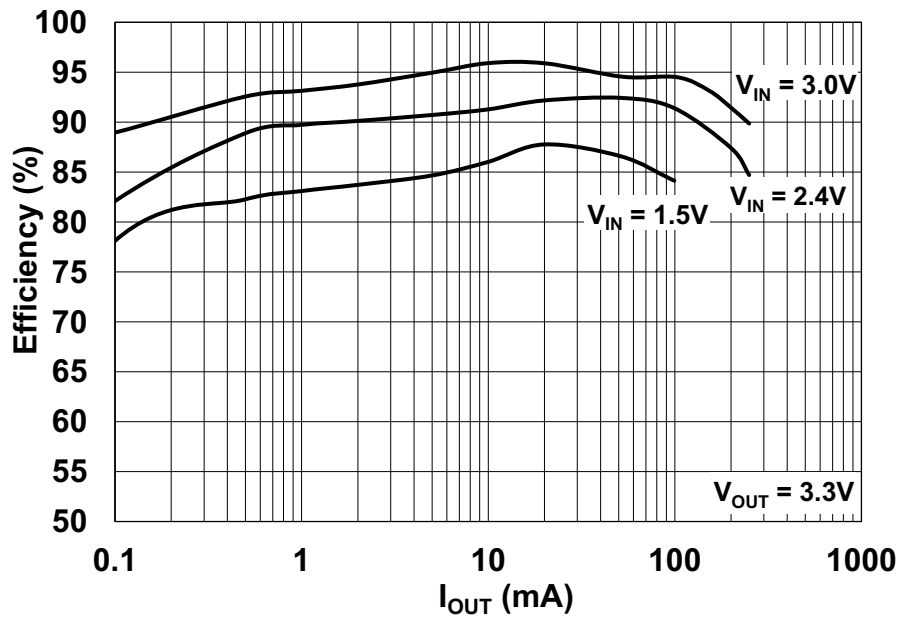
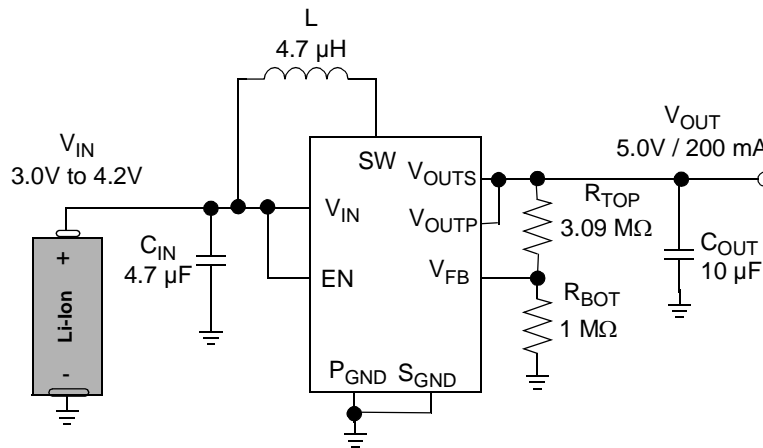
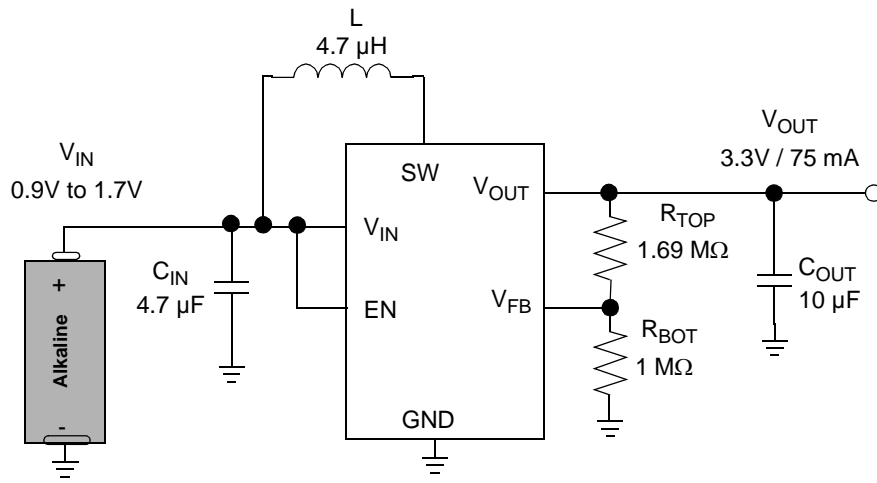
Output voltage is set by a small external resistor divider. Two package options, SOT-23, 6-lead and TDFN, $2 \times 3 \times 0.8 \text{ mm}$, 8-lead are available.

Package Types



MCP16251/2

Typical Application



1.0 ELECTRICAL CHARACTERISTICS

Absolute Maximum Ratings †

EN, V _{FB} , V _{IN} , V _{SW} , V _{OUT} - GND	+6.5V
EN, V _{FB}< maximum V _{OUT} or V _{IN} > (GND - 0.3V)	
Output Short-Circuit Current	Continuous
Output Current Bypass Mode.....	400 mA
Power Dissipation	Internally Limited
Storage Temperature	-65°C to +150°C
Ambient Temp. with Power Applied.....	-40°C to +85°C
Operating Junction Temperature.....	-40°C to +125°C
ESD Protection On All Pins:	
HBM	4 kV
MM	400V

† **Notice:** Stresses above those listed under “Maximum Ratings” may cause permanent damage to the device. This is a stress rating only and functional operation of the device at those or any other conditions above those indicated in the operational sections of this specification is not intended. Exposure to maximum rating conditions for extended periods may affect device reliability.

DC CHARACTERISTICS

Electrical Characteristics: Unless otherwise indicated, V_{IN} = 1.5V, C_{OUT} = C_{IN} = 10 μF, L = 4.7 μH, V_{OUT} = 3.3V, I_{OUT} = 0 mA, T_A = +25°C. **Boldface** specifications apply over the T_A range of -40°C to +85°C.

Parameters	Sym.	Min.	Typ.	Max.	Units	Conditions
Input Characteristics						
Minimum Start-Up Voltage	V _{IN}	—	0.82	—	V	Note 1
Minimum Input Voltage After Start-Up	V _{IN}	—	0.35	—	V	Note 1
Output Voltage Adjust Range	V _{OUT}	1.8	—	5.5	V	V _{OUT} ≥ V _{IN} Note 2
Maximum Output Current	I _{OUT}	100	150	—	mA	1.2V V _{IN} , 2.0V V _{OUT}
			125	—		1.5V V _{IN} , 3.3V V _{OUT}
			225	—		3.3V V _{IN} , 5.0V V _{OUT}
Feedback Voltage	V _{FB}	1.1931	1.23	1.2669	V	
Feedback Input Bias Current	I _{VFB}	—	10	—	nA	
V _{OUT} Quiescent Current	I _{QOUT}	—	4.0	8	μA	I _{OUT} = 0 mA, device is not switching, EN = V _{IN} = 4.0V, V _{OUT} = 5.0V, does not include feedback divider current (Note 3)
V _{IN} Sleep Current	I _{QIN}	—	1.0	2.3	μA	I _{OUT} = 0 mA, EN = V _{IN} (Note 3), (Note 5)
No Load Input Current	I _{IN0}	—	14	25	μA	I _{OUT} = 0 mA, device is switching
Quiescent Current – Shutdown	I _{QSHDN}	—	0.6	—	μA	V _{OUT} = EN = GND; includes N-Channel and P-Channel Switch Leakage

Note 1: 3.3 kΩ resistive load, 3.3V_{OUT} (1 mA).

2: For V_{IN} > V_{OUT}, V_{OUT} will not remain in regulation.

3: I_{QOUT} is measured at V_{OUT}, V_{OUT} is supplied externally for V_{OUT} > V_{IN} (device is not switching), I_{QIN} is measured at V_{IN} pin during Sleep period, no load.

4: 220Ω resistive load, 3.3V_{OUT} (15 mA).

5: Determined by characterization, not production tested.

MCP16251/2

DC CHARACTERISTICS (CONTINUED)

Electrical Characteristics: Unless otherwise indicated, $V_{IN} = 1.5V$, $C_{OUT} = C_{IN} = 10 \mu F$, $L = 4.7 \mu H$, $V_{OUT} = 3.3V$, $I_{OUT} = 0 \text{ mA}$, $T_A = +25^\circ C$. **Boldface** specifications apply over the T_A range of $-40^\circ C$ to $+85^\circ C$.

Parameters	Sym.	Min.	Typ.	Max.	Units	Conditions
NMOS Switch Leakage	I_{NLK}	—	0.15	—	μA	$V_{IN} = V_{SW} = 5V$ $V_{OUT} = 5.5V$ $V_{EN} = V_{FB} = GND$
PMOS Switch Leakage	I_{PLK}	—	0.15	—	μA	$V_{IN} = V_{SW} = GND$ $V_{OUT} = 5.5V$
NMOS Switch ON Resistance	$R_{DS(ON)N}$	—	0.45	—	Ω	$V_{IN} = 3.3V$ $I_{SW} = 100 \text{ mA}$
PMOS Switch ON Resistance	$R_{DS(ON)P}$	—	0.9	—	Ω	$V_{IN} = 3.3V$ $I_{SW} = 100 \text{ mA}$
NMOS Peak Switch Current Limit	$I_{N(MAX)}$	—	650	—	mA	Note 5
V_{OUT} Accuracy	$V_{OUT}\%$	-3	—	+3	%	Includes Line and Load Regulation; $V_{IN} = 1.5V$
Line Regulation	$ \frac{\Delta V_{OUT}/V_{OUT}}{\Delta V_{IN}} $	-0.4	0.3	0.4	%/V	$V_{IN} = 1.5V$ to $2.8V$ $I_{OUT} = 50 \text{ mA}$
Load Regulation	$ \Delta V_{OUT}/V_{OUT} $	-1.5	0.1	1.5	%	$I_{OUT} = 25 \text{ mA}$ to 100 mA $V_{IN} = 1.5V$
Maximum Duty Cycle	DC_{MAX}	87	89	91	%	Note 5
Switching Frequency	f_{SW}	425	500	575	kHz	
EN Input Logic High	V_{IH}	70	—	—	% of V_{IN}	$I_{OUT} = 1 \text{ mA}$
EN Input Logic Low	V_{IL}	—	—	20	% of V_{IN}	$I_{OUT} = 1 \text{ mA}$
EN Input Leakage Current	I_{ENLK}	—	5.0	—	nA	$V_{EN} = 5V$
Soft Start Time	t_{SS}	—	—	1.5	ms	EN Low to High 90% of V_{OUT} (Note 4), (Note 5)
Thermal Shutdown Die Temperature	T_{SD}	—	160	—	$^\circ C$	$I_{OUT} = 20 \text{ mA}$ $V_{IN} > 1.4V$
Die Temperature Hysteresis	T_{SDHYS}	—	20	—	$^\circ C$	

Note 1: 3.3 k Ω resistive load, 3.3V $_{OUT}$ (1 mA).

Note 2: For $V_{IN} > V_{OUT}$, V_{OUT} will not remain in regulation.

Note 3: I_{QOUT} is measured at V_{OUT} , V_{OUT} is supplied externally for $V_{OUT} > V_{IN}$ (device is not switching), I_{QIN} is measured at V_{IN} pin during Sleep period, no load.

Note 4: 220 Ω resistive load, 3.3V $_{OUT}$ (15 mA).

Note 5: Determined by characterization, not production tested.

TEMPERATURE SPECIFICATIONS

Electrical Characteristics: Unless otherwise indicated, $V_{IN} = 1.5V$, $C_{OUT} = C_{IN} = 10 \mu F$, $L = 4.7 \mu H$, $V_{OUT} = 3.3V$, $I_{OUT} = 0 \text{ mA}$.

Parameters	Sym.	Min.	Typ.	Max.	Units	Conditions
Temperature Ranges						
Operating Temperature Range	T_J	-40	—	+85	$^\circ C$	Steady State
Storage Temperature Range	T_A	-65	—	+150	$^\circ C$	
Maximum Junction Temperature	T_J	—	—	+150	$^\circ C$	Transient
Package Thermal Resistances						
Thermal Resistance, SOT-23, 6-LD	θ_{JA}	—	190.5	—	$^\circ C/W$	EIA/JESD51-3 Standard
Thermal Resistance, TDFN, 2x3x0.8m, 8-LD	θ_{JA}	—	52.5	—	$^\circ C/W$	

2.0 TYPICAL PERFORMANCE CURVES

Note: The graphs and tables provided following this note are a statistical summary based on a limited number of samples and are provided for informational purposes only. The performance characteristics listed herein are not tested or guaranteed. In some graphs or tables, the data presented may be outside the specified operating range (e.g., outside specified power supply range) and therefore outside the warranted range.

Note: Unless otherwise indicated, $V_{IN} = EN = 1.5V$, $C_{OUT} = C_{IN} = 10 \mu F$, $L = 4.7 \mu H$, $V_{OUT} = 3.3V$, $I_{LOAD} = 0 mA$, $T_A = +25^\circ C$, SOT-23 package.

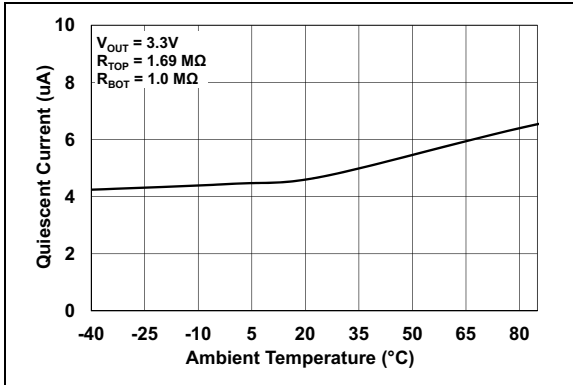


FIGURE 2-1: $V_{OUT} I_Q$ vs. Ambient Temperature.

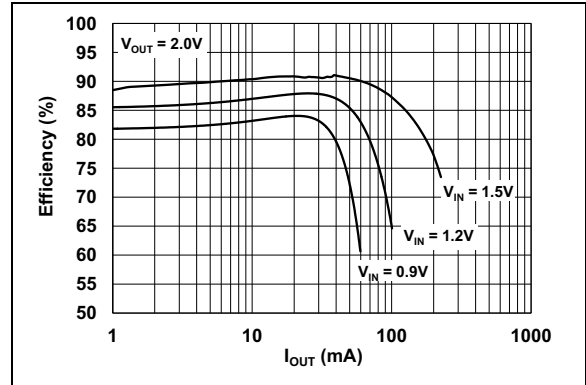


FIGURE 2-4: 2.0V V_{OUT} Efficiency vs. I_{OUT} .

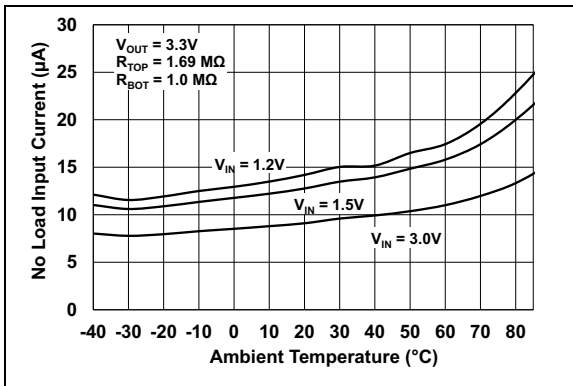


FIGURE 2-2: No Load Input Current vs. Temperature.

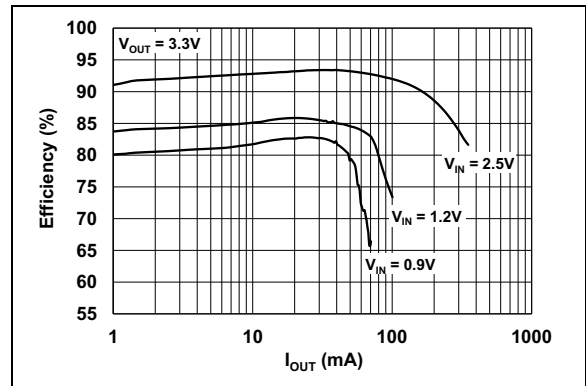


FIGURE 2-5: 3.3V V_{OUT} Efficiency vs. I_{OUT} .

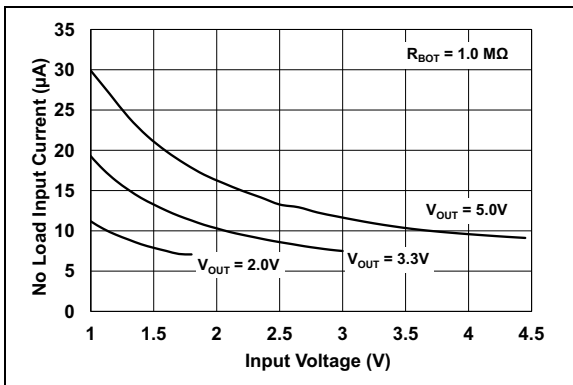


FIGURE 2-3: No Load Input Current vs. V_{IN} , after Start-Up.

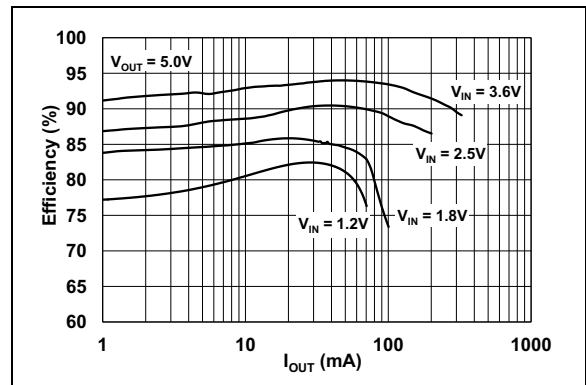


FIGURE 2-6: 5.0V V_{OUT} Efficiency vs. I_{OUT} .

MCP16251/2

Note: Unless otherwise indicated, $V_{IN} = EN = 1.5V$, $C_{OUT} = C_{IN} = 10 \mu F$, $L = 4.7 \mu H$, $V_{OUT} = 3.3V$, $I_{LOAD} = 0 mA$, $T_A = +25^\circ C$, SOT-23 package.

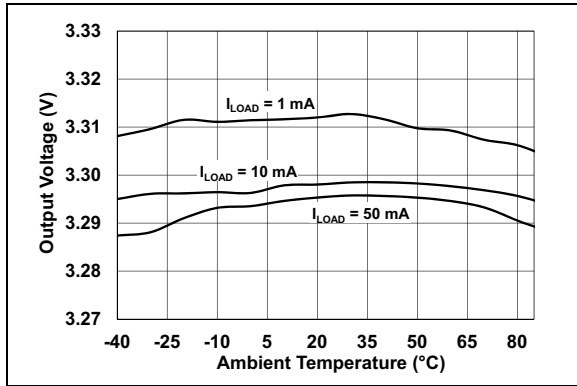


FIGURE 2-7: 3.3V V_{OUT} vs. Ambient Temperature.

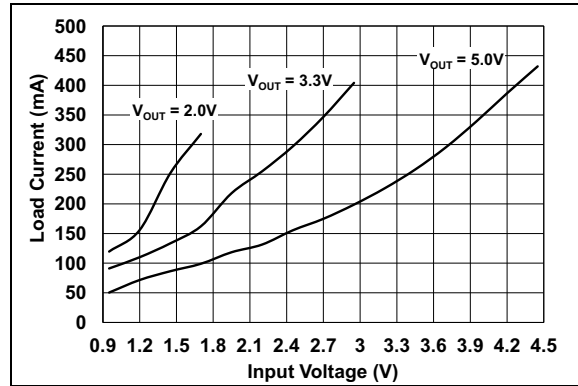


FIGURE 2-10: Maximum I_{OUT} vs. V_{IN} , after Start-up, V_{OUT} Maximum 5% below Regulation Point.

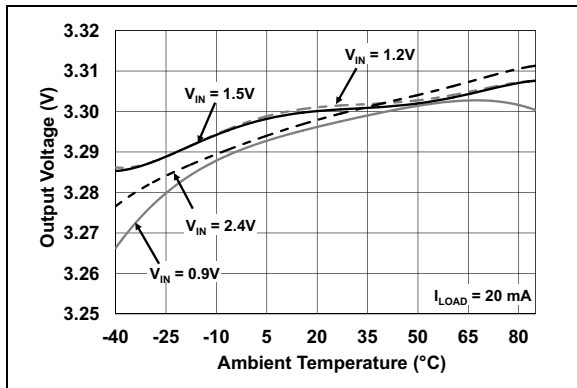


FIGURE 2-8: 3.3V V_{OUT} vs. Ambient Temperature.

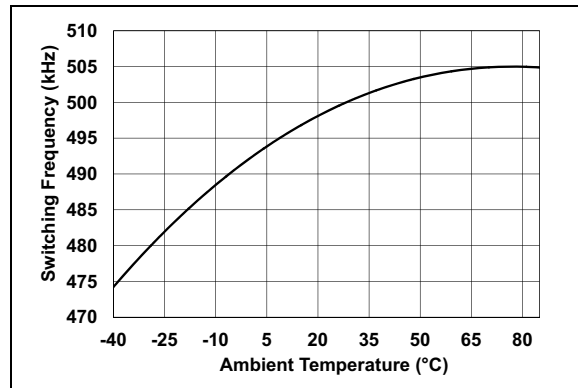


FIGURE 2-11: F_{OSC} vs. Ambient Temperature.

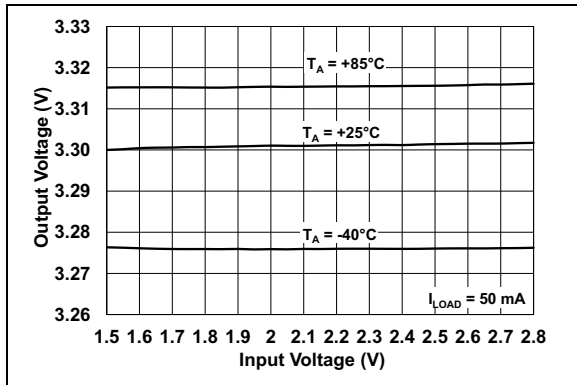


FIGURE 2-9: 3.3V V_{OUT} vs. V_{IN} .

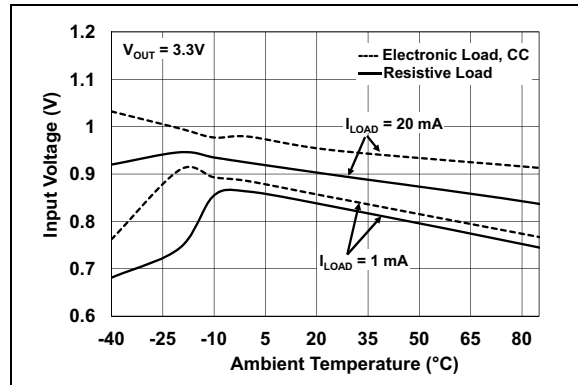


FIGURE 2-12: V_{IN} Start-Up vs. Temperature into Resistive Load and Constant Current.

Note: Unless otherwise indicated, $V_{IN} = EN = 1.5V$, $C_{OUT} = C_{IN} = 10 \mu F$, $L = 4.7 \mu H$, $V_{OUT} = 3.3V$, $I_{LOAD} = 0 \text{ mA}$, $T_A = +25^\circ C$, SOT-23 package.

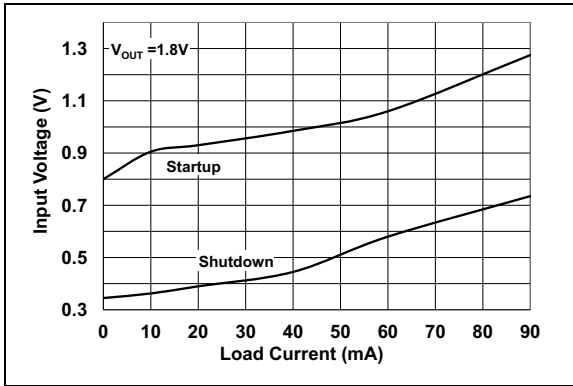


FIGURE 2-13: 1.8V_{OUT} Minimum Start-Up and Shutdown V_{IN} into Resistive Load vs. I_{OUT} .

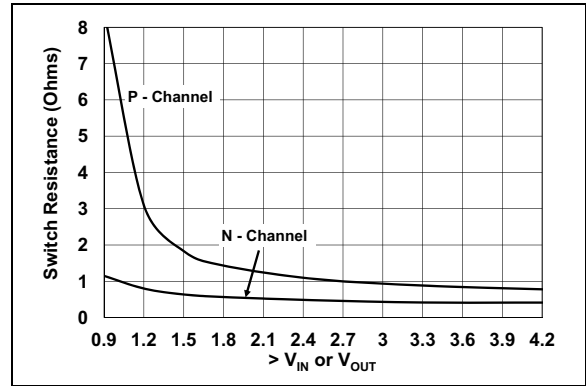


FIGURE 2-16: N-Channel and P-Channel $R_{DS(ON)}$ vs. the Maximum V_{IN} or V_{OUT} .

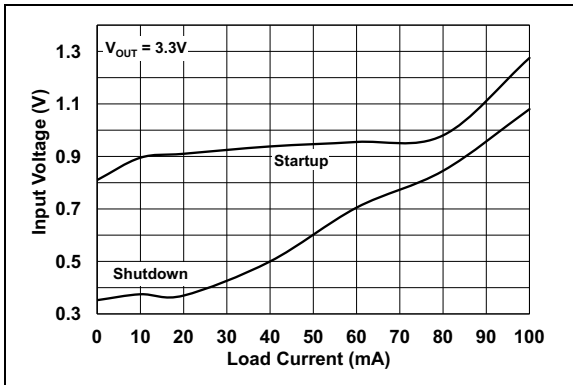


FIGURE 2-14: 3.3V_{OUT} Minimum Start-Up and Shutdown V_{IN} into Resistive Load vs. I_{OUT} .

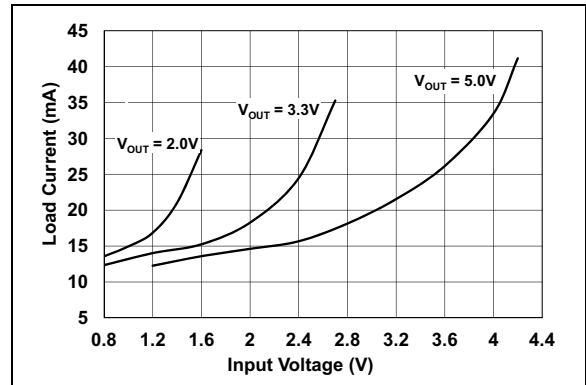


FIGURE 2-17: Average of PFM-to-PWM Threshold Current vs. V_{IN} .

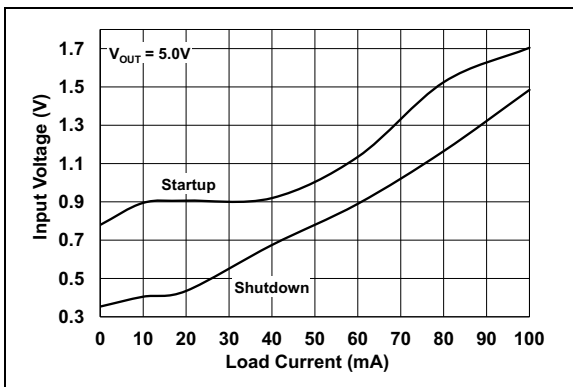


FIGURE 2-15: 5.0V_{OUT} Minimum Start-Up and Shutdown V_{IN} into Resistive Load vs. I_{OUT} .

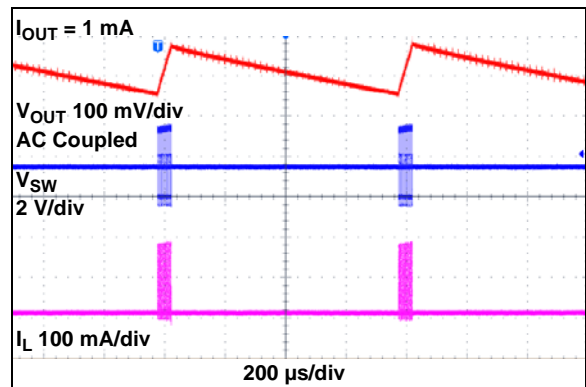


FIGURE 2-18: MCP16251 3.3V V_{OUT} PFM Mode Waveforms.

MCP16251/2

Note: Unless otherwise indicated, $V_{IN} = EN = 1.5V$, $C_{OUT} = C_{IN} = 10 \mu F$, $L = 4.7 \mu H$, $V_{OUT} = 3.3V$, $I_{LOAD} = 0 mA$, $T_A = +25^\circ C$, SOT-23 package.

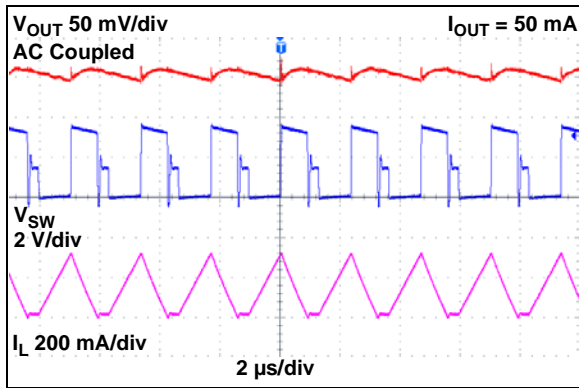


FIGURE 2-19: MCP16251 3.3V V_{OUT} PWM Mode Waveforms.

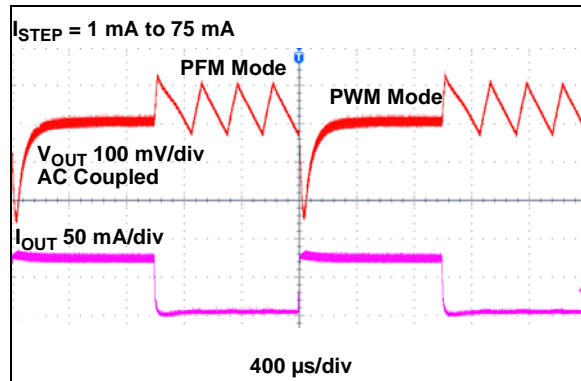


FIGURE 2-22: MCP16251 3.3V V_{OUT} Load Transient Waveforms.

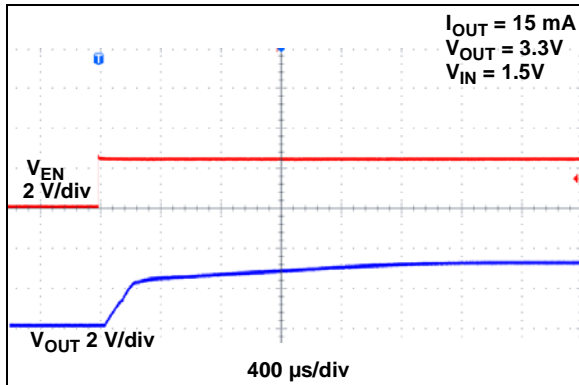


FIGURE 2-20: 3.3V Start-up after Enable.

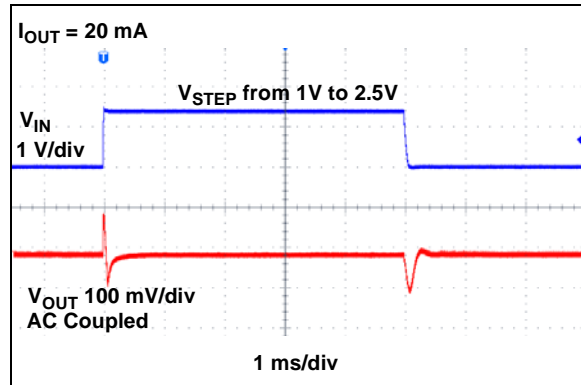


FIGURE 2-23: 3.3V V_{OUT} Line Transient Waveforms.

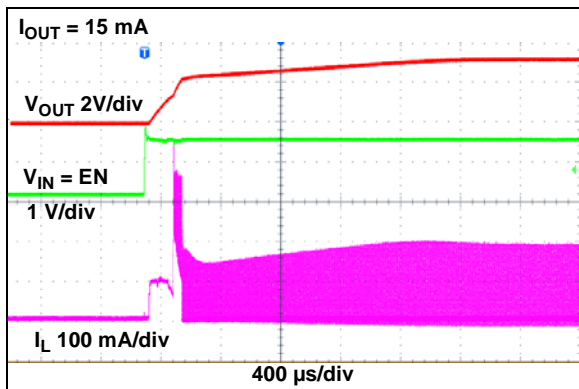


FIGURE 2-21: 3.3V Start-Up when $V_{IN} = V_{ENABLE}$.

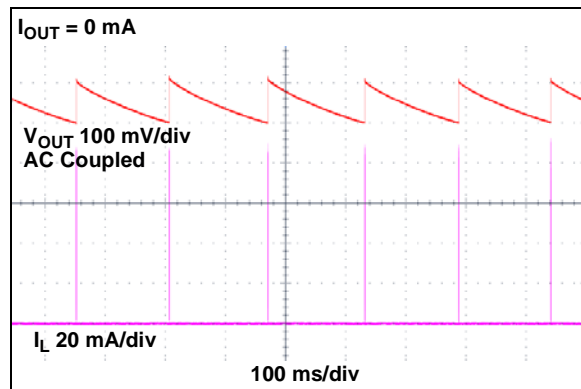


FIGURE 2-24: MCP16251 3.3V No Load V_{OUT} PFM Mode Output Ripple.

3.0 PIN DESCRIPTIONS

The descriptions of the pins are listed in [Table 3-1](#).

TABLE 3-1: PIN FUNCTION TABLE

MCP16251/2 SOT-23	MCP16251/2 TDFN 2x3x0.8	Symbol	Description
4	1	V_{FB}	Feedback Voltage Pin
—	2	S_{GND}	Signal Ground Pin
—	3	P_{GND}	Power Ground Pin
3	4	EN	Enable Control Input Pin
1	5	SW	Switch Node, Boost Inductor Input Pin
—	6	V_{OUTP}	Output Voltage Power Pin
—	7	V_{OUTS}	Output Voltage Sense Pin
6	8	V_{IN}	Input Voltage Pin
—	9	EP	Exposed Thermal Pad (EP); must be connected to S_{GND} and P_{GND} .
2	—	GND	Ground Pin
5	—	V_{OUT}	Output Voltage Pin

3.1 Feedback Voltage Pin (V_{FB})

The V_{FB} pin is used to provide output voltage regulation by using a resistor divider. Feedback voltage will typically be 1.23V, with the output voltage in regulation.

3.2 Signal Ground Pin (S_{GND})

The signal ground pin is used as a return for the integrated V_{REF} and error amplifier. In the 2x3x0.8 TDFN package, the S_{GND} and power ground (P_{GND}) pins are connected externally.

3.3 Power Ground Pin (P_{GND})

The power ground pin is used as a return for the high-current N-Channel switch. In the 2x3x0.8 TDFN package, the P_{GND} and signal ground (S_{GND}) pins are connected externally.

3.4 Enable Pin (EN)

The EN pin is a logic-level input used to enable or disable device switching and lower quiescent current while disabled. A logic high (>70% of V_{IN}) will enable the regulator output. A logic low (<20% of V_{IN}) will ensure that the regulator is disabled.

3.5 Switch Node Pin (SW)

Connect the inductor from the input voltage to the SW pin. The SW pin carries inductor current and can be as high as 650 mA typical peak. The integrated N-Channel switch drain and integrated P-Channel switch source are internally connected at the SW node.

3.6 Output Voltage Power Pin (V_{OUTP})

The output voltage power pin connects the output voltage to the switch node. High current flows through the integrated P-Channel and out of this pin to the output capacitor and output. In the 2x3x0.8 TDFN package, V_{OUTS} and V_{OUTP} are connected externally.

3.7 Output Voltage Sense Pin (V_{OUTS})

The output voltage sense pin connects the regulated output voltage to the internal bias circuits. In the 2x3x0.8 TDFN package, V_{OUTS} and V_{OUTP} are connected externally.

3.8 Power Supply Input Voltage Pin (V_{IN})

Connect the input voltage source to V_{IN} . The input source should be decoupled to GND with a 4.7 μ F minimum capacitor.

3.9 Exposed Thermal Pad (EP)

There is no internal electrical connection between the Exposed Thermal Pad (EP) and the P_{GND} and S_{GND} pins. They must be connected to the same potential on the Printed Circuit Board (PCB).

3.10 Ground Pin (GND)

The ground or return pin is used for circuit ground connection. Length of trace from input cap return, output cap return and GND pin should be made as short as possible to minimize noise on the GND pin. In the SOT23-6 package, a single ground pin is used.

3.11 Output Voltage Pin (V_{OUT})

The output voltage pin connects the integrated P-Channel MOSFET to the output capacitor. The feedback voltage divider is also connected to the V_{OUT} pin for voltage regulation.

MCP16251/2

4.0 DETAILED DESCRIPTION

4.1 Device Overview

The MCP16251/2 family of devices is capable of low start-up voltage and delivers high efficiency over a wide load range for single-cell, two-cell, three-cell alkaline, NiMH, NiCd and single-cell Li-Ion battery inputs. A high level of integration lowers total system cost, eases implementation and reduces board area. The devices feature low quiescent current, low start-up voltage, adjustable output voltage, PWM/PFM mode operation, integrated synchronous switch, internal compensation, low noise anti-ringing control, inrush current limit and soft start. There are two options for the MCP16251/2 family: True Output Disconnect and Input-to-Output Bypass (see [Table 4-1](#)).

4.1.1 PFM/PWM OPERATION

The MCP16251/2 devices use an automatic switchover from PWM to PFM mode for light load conditions, to maximize efficiency over a wide range of output current. During PFM mode, a controlled peak current is used to pump the output up to the threshold limit. While operating in PFM or PWM mode, the P-Channel switch is used as a synchronous rectifier, turning off when the inductor current reaches 0 mA to maximize efficiency. In PFM mode, a comparator is used to terminate switching when the output voltage reaches the upper threshold limit. Once switching has terminated, the output voltage will decay or coast down. During this period, which is called Sleep period, 1 μA is typically consumed from the input source, which keeps power efficiency high at light load. PWM/PFM mode has higher output ripple voltage than PWM mode, and variable frequency. The PFM mode frequency is a function of input voltage, output voltage and load. While in PFM mode, the boost converter periodically pumps the output with a fixed switching frequency of 500 kHz. [Figure 2-17](#) represents the load current versus input voltage for the PFM-to-PWM threshold.

4.1.2 TRUE OUTPUT DISCONNECT OPTION

The MCP16251 device incorporates a true output disconnect feature. With the EN pin pulled low, the output of the MCP16251 is isolated or disconnected from the input by turning off the integrated P-Channel switch and removing the switch bulk diode connection. This removes the DC path typical in boost converters, which allows the output to be disconnected from the input. During this mode, less than 0.6 μA of current is consumed from the input (battery). True output disconnect does not discharge the output; the output voltage is held up by the external C_{OUT} capacitance.

4.1.3 INPUT BYPASS OPTION

The MCP16252 device incorporates the input-to-output bypass shutdown option. With the EN input pulled low, the output is connected to the input using the internal P-Channel MOSFET. In this mode, the current draw from the input (battery) is less than 0.6 μA with no load. The Input Bypass mode is used when the input voltage range is high enough for the load to operate in Standby or Low I_{Q} mode. When a higher regulated output voltage is necessary to operate the application, the EN input is pulled high, enabling the boost converter.

In this mode, the current through the P-Channel MOSFET must not be higher than 400 mA.

TABLE 4-1: PART NUMBER SELECTION

Part Number	True Output Disconnect	Input-to-Output Bypass
MCP16251	✓	—
MCP16252	—	✓

4.2 Functional Description

The MCP16251/2 is a compact, high-efficiency, fixed frequency, step-up DC-DC converter that provides an easy-to-use power supply solution for applications powered by either one-cell, two-cell, or three-cell alkaline, NiCd, or NiMH, or one-cell Li-Ion or Li-Polymer batteries.

Figure 4-1 represents the functional block diagram of the MCP16251/2.

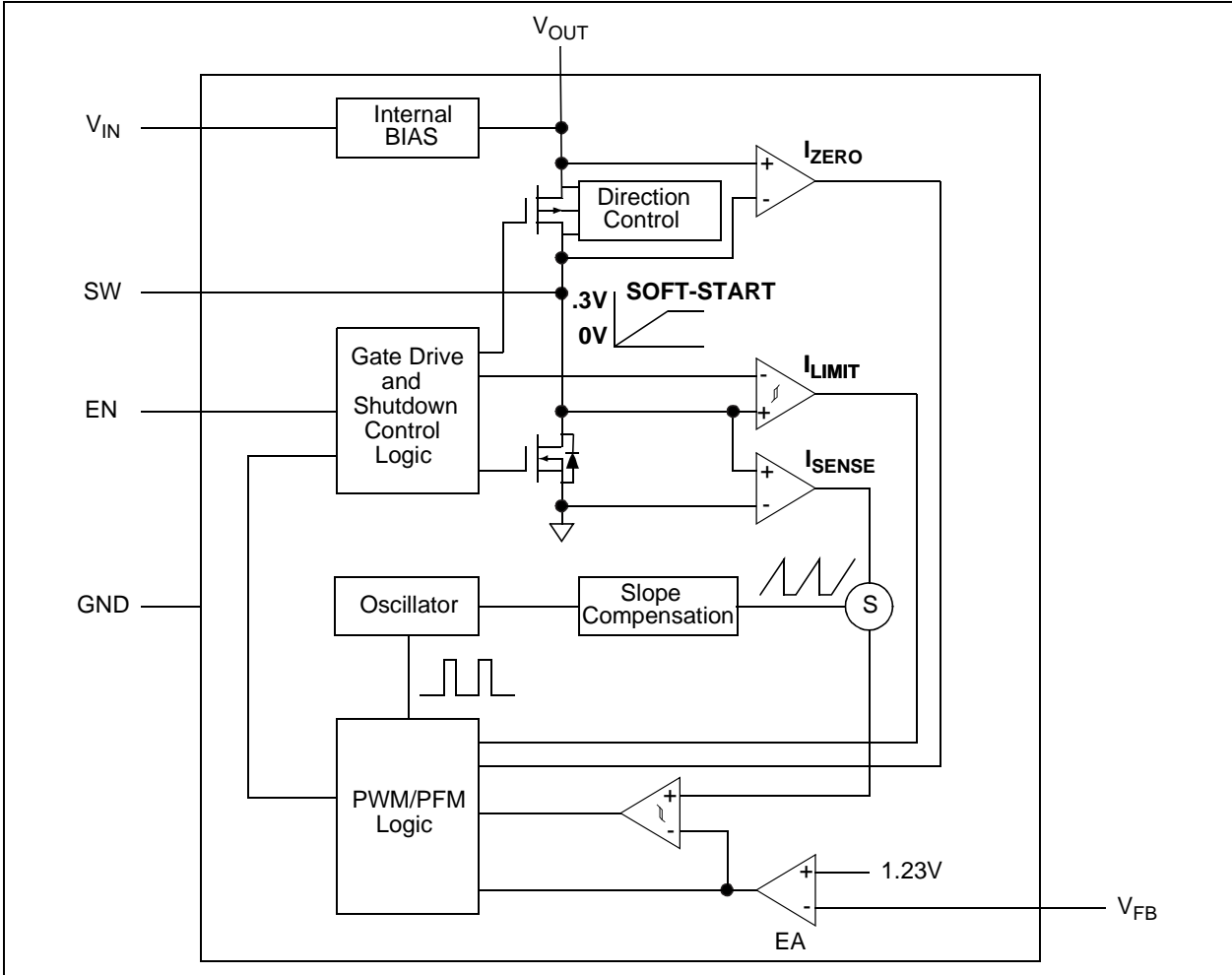


FIGURE 4-1: MCP16251/2 Block Diagram.

MCP16251/2

4.2.1 LOW-VOLTAGE START-UP

The MCP16251/2 is capable of starting from a low input voltage. Start-up voltage is typically 0.82V for a 3.3V output and 1 mA resistive load.

When enabled, the internal start-up logic turns the rectifying P-Channel switch on until the output capacitor is charged to a value close to the input voltage. The rectifying switch is current limited during this time. After charging the output capacitor to the input voltage, the device starts switching. If the output voltage is below 60-70% of the desired V_{OUT} , the device runs in open-loop with a fixed duty cycle of 70-75% until the output reaches this threshold. During start-up, the inductor peak current is limited (see [Figure 2-21](#)) to allow a correct start from a weak power supply, such as a solar cell, small coin battery or a discharged battery. Once the output voltage reaches 60-70% of the desired V_{OUT} , normal closed-loop PWM operation is initiated.

The MCP16251/2 charges an internal capacitor with a very weak current source. The voltage on this capacitor, in turn, slowly ramps the current limit of the boost switch to its nominal value. The soft-start capacitor is completely discharged in the event of a commanded shutdown or a thermal shutdown.

There is no undervoltage lockout feature for the MCP16251/2. The device will start switching at the lowest voltage possible, and run down to the lowest possible voltage. For a minimum 0.82V typical input, the device starts with regulated output under 1 mA resistive load. Real world loads are mostly non-resistive and allow device start-up at lower values, down to 0.65V. Working at very low input voltages may result in “motor-boating” for deeply discharged batteries.

4.2.2 PFM/PWM MODE

The MCP16251/2 devices are capable of automatically operating in normal PWM mode and PFM mode to maintain high efficiency at all loads. In PFM mode, the output ripple has a variable frequency component that changes with the input voltage and output current. The value of the output capacitor changes the low frequency component ripple. Output ripple peak-to-peak values are not affected by the output capacitor. With no load, the input current drawn from the battery is typically 14 μ A. The device itself is powering from the output after start-up, the quiescent current drawn from output being less than 4 μ A (typical, without feedback resistors divider current).

PFM operation is initiated if the output load current falls below an internally programmed threshold. The output voltage is continuously monitored. When the output voltage drops below its nominal value, PFM operation pulses once or several times to bring the output back into regulation. If the output load current rises above the upper threshold, the MCP16251/2 enters smoothly into PWM mode.

In PWM operation, the MCP16251/2 operates as a fixed frequency, synchronous boost converter. The switching frequency is internally maintained with a precision oscillator, typically set to 500 kHz. By operating in PWM-only mode, the output ripple remains low and the frequency is constant.

Lossless current sensing converts the peak current signal to a voltage to sum with the internal slope compensation signal. This summed signal is compared to the voltage error amplifier output to provide a peak current control command for the PWM signal. The slope compensation is adaptive to the input and output voltage. Therefore, the converter provides the proper amount of slope compensation to ensure stability, but is not excessive, which causes a loss of phase margin. The peak current limit is set to 650 mA typical.

4.2.3 ADJUSTABLE OUTPUT VOLTAGE AND MAXIMUM OUTPUT CURRENT

The MCP16251/2 output voltage is adjustable with a resistor divider over a 1.8V minimum-to-5.5V maximum range. High value resistors are recommended to minimize quiescent current to keep efficiency high at light loads. When an application runs below -20°C, smaller values for feedback resistors should be used to avoid any alteration of V_{OUT} , because of the leakage path on PCBs.

The maximum device output current is dependent on the input and output voltage. For example, to ensure a 100 mA load current for $V_{OUT} = 3.3V$, a minimum of 1.1 – 1.2V input voltage is necessary. If an application is powered by one Li-Ion battery (V_{IN} from 3.0V to 4.2V), the maximum load current the MCP16251/2 can deliver is close to 200 mA at 5.0V output (refer to [Figure 2-10](#)).

4.2.4 ENABLE

The enable pin is used to turn the boost converter on and off. The enable threshold voltage varies with input voltage. To enable the boost converter, the EN voltage level must be greater than 70% of the V_{IN} voltage. To disable the boost converter, the EN voltage must be lower than 20% of the V_{IN} voltage.

4.2.5 INTERNAL BIAS

The MCP16251/2 gets its start-up bias from V_{IN} . Once the output exceeds the input, bias comes from the output. Therefore, once started, operation is completely independent of V_{IN} . Operation is limited only by the output power level and the input source series resistance. Once started, the output will remain in regulation down to 0.35V input with 1 mA output current for low source impedance inputs.

4.2.6 INTERNAL COMPENSATION

The error amplifier, with its associated compensation network, completes the closed-loop system by comparing the output voltage to a reference at the input of the error amplifier, and feeding the amplified and inverted signal to the control input of the inner current loop. The compensation network provides phase leads and lags at appropriate frequencies to cancel excessive phase lags and leads of the power circuit. All necessary compensation and slope compensation components are integrated.

4.2.7 SHORT-CIRCUIT PROTECTION

Unlike most boost converters, the MCP16251/2 allows its output to be shorted during normal operation. The internal current limit and overtemperature protection limit excessive stress and protect the device during periods of short circuit, overcurrent and overtemperature. While operating in Input-to-Output Bypass mode, the P-Channel current limit is inhibited to minimize quiescent current.

4.2.8 LOW NOISE OPERATION

The MCP16251/2 integrates a low noise anti-ringing switch that damps the oscillations typically observed at the switch node of a boost converter when operating in Discontinuous Inductor Current mode. This removes the high frequency radiated noise.

4.2.9 OVERTEMPERATURE PROTECTION

Overtemperature protection circuitry is integrated in the MCP16251/2 devices. This circuitry monitors the device junction temperature and shuts the output off if the junction temperature exceeds the typical +160°C. If this threshold is exceeded, the device will automatically restart once the junction temperature drops by 20°C. During thermal shutdown, the device is periodically checking temperature; once the temperature of the die drops, the device restarts. Because the device takes its bias from the output (to achieve lower I_Q current) while in thermal shutdown state, there is no low reference band gap and the output may be higher than zero for inputs below 1.4V typical. The soft start is reset during an overtemperature condition.

MCP16251/2

5.0 APPLICATION INFORMATION

5.1 Typical Applications

The MCP16251/2 synchronous boost regulator operates over a wide input and output voltage range. The power efficiency is high for several decades of load range. Output current capability increases with the input voltage and decreases with the increasing output voltage. The maximum output current is based on the N-Channel peak current limit. Typical characterization curves in this data sheet are presented to display the typical output current capability.

5.2 Adjustable Output Voltage Calculations

To calculate the resistor divider values for the MCP16251/2, use [Equation 5-1](#), where R_{TOP} is connected to V_{OUT} , R_{BOT} is connected to GND and both are connected to the V_{FB} input pin.

EQUATION 5-1:

$$R_{TOP} = R_{BOT} \times \left(\frac{V_{OUT}}{V_{FB}} - 1 \right)$$

EXAMPLE 1:

$$\begin{aligned} V_{OUT} &= 2.0V \\ V_{FB} &= 1.23V \\ R_{BOT} &= 1\text{ M}\Omega \\ R_{TOP} &= 626.01\text{ k}\Omega \text{ (with a standard value of } \\ &\quad 620\text{ k}\Omega, V_{OUT} \text{ is } 1.992V) \end{aligned}$$

EXAMPLE 2:

$$\begin{aligned} V_{OUT} &= 3.3V \\ V_{FB} &= 1.23V \\ R_{BOT} &= 1\text{ M}\Omega \\ R_{TOP} &= 1.68\text{ M}\Omega \text{ (with a standard value of } \\ &\quad 1.69\text{ M}\Omega, V_{OUT} \text{ is } 3.308V) \end{aligned}$$

EXAMPLE 3:

$$\begin{aligned} V_{OUT} &= 5.0V \\ V_{FB} &= 1.23V \\ R_{BOT} &= 1\text{ M}\Omega \\ R_{TOP} &= 3.065\text{ M}\Omega \text{ (with a standard value of } \\ &\quad 3.09\text{ M}\Omega, V_{OUT} \text{ is } 5.03V) \end{aligned}$$

The internal error amplifier is a transconductance type, i.e., its gain is not related to the resistors' value. There are some potential issues with higher value resistors. For small surface mount resistors, environment contamination can create leakage paths that significantly change the resistor divider ratio and change the output voltage tolerance. Designers should use resistors that are larger than 1 M Ω with precaution; they can be used on limited temperature range (-20 to +85°C). For a lower temperature (down to -40°C), resistors from [Examples 1](#) or [2](#) should be calculated as follows:

EXAMPLE 4:

$$\begin{aligned} V_{OUT} &= 2.0V \\ V_{FB} &= 1.23V \\ R_{BOT} &= 309\text{ k}\Omega \\ R_{TOP} &= 193.44\text{ k}\Omega \text{ (with a standard value of } \\ &\quad 191\text{ k}\Omega, V_{OUT} \text{ is } 1.99V) \end{aligned}$$

EXAMPLE 5:

$$\begin{aligned} V_{OUT} &= 3.3V \\ V_{FB} &= 1.23V \\ R_{BOT} &= 309\text{ k}\Omega \\ R_{TOP} &= 520.024\text{ k}\Omega \text{ (with a standard value of } \\ &\quad 523\text{ k}\Omega, V_{OUT} \text{ is } 3.311V) \end{aligned}$$

Smaller feedback resistor values will increase the quiescent current drained from the battery by a few μA , but will result in good regulation over the entire temperature range.

For boost converters, the removal of the feedback resistors during operation must be avoided. In this case, the output voltage will increase above the absolute maximum output limits of the MCP16251/2 and damage the device (for additional information, see Application Note AN1337, "Optimizing Battery Life in DC Boost Converters Using MCP1640", DS01337).

5.3 Input Capacitor Selection

The boost input current is smoothed by the boost inductor, reducing the amount of filtering necessary at the input. Some capacitance is recommended to provide decoupling from the source. Low ESR X5R or X7R are well suited, since they have a low temperature coefficient and small size. For most applications, 4.7 μF of capacitance is sufficient at the input. For high-power applications that have high-source impedance or long leads connecting the battery to the input, 10 μF of capacitance is recommended. Additional input capacitance can be added to provide a stable input voltage.

Refer to [Table 5-1](#) for the recommended range of the input capacitor value.

5.4 Output Capacitor Selection

The output capacitor helps provide a stable output voltage during sudden load transients and reduces the output voltage ripple. As with the input capacitor, X5R and X7R ceramic capacitors are well suited for this application. Using other capacitor types (aluminum or tantalum) with large ESR has impact on the converter's efficiency (see AN1337) and maximum output power.

The MCP16251/2 is internally compensated, so the output capacitance range is limited. See [Table 5-1](#) for the recommended output capacitor range.

An output capacitance higher than 10 µF adds a better load step response and high-frequency noise attenuation, especially while stepping from light current loads (PFM mode) to heavy current loads (PWM mode). A minimum of 20 µF output capacitance is mandatory while the output drives load steps between heavy load levels. In addition, 2 x 10 µF output capacitors ensure a better recovery of the output after a short period of overloading.

While the N-Channel switch is ON, the output current is supplied by the output capacitor C_{OUT}. The amount of output capacitance and equivalent series resistance will have a significant effect on the output ripple voltage. While C_{OUT} provides load current, a voltage drop also appears across its internal ESR that results in ripple voltage.

EQUATION 5-2:

$$I_{OUT} = C_{OUT} \times \left(\frac{dV}{dt} \right)$$

Where:
dV = Ripple voltage
dt = ON time of the N-Channel switch
(D x 1/F_{SW}, D is duty cycle)

[Table 5-1](#) contains the recommended range for the input and output capacitor values.

TABLE 5-1: CAPACITOR VALUE RANGE

	C _{IN}	C _{OUT}
Minimum	4.7 µF	10 µF
Maximum	none	47 µF

5.5 Inductor Selection

The MCP16251/2 is designed to be used with small surface mount inductors; the inductance value can range from 2.2 µH to 6.8 µH. An inductance value of 4.7 µH is recommended to achieve a good balance between the inductor size, converter load transient response and minimized noise.

TABLE 5-2: MCP16251/2 RECOMMENDED INDUCTORS

Part Number	Value (µH)	DCR Ω (typ.)	I _{SAT} (A)	Size WxLxH (mm)
Coiltronics®				
SD3112	4.7	0.246	0.80	3.1x3.1x1.2
SD3114	4.7	0.251	1.14	3.1x3.1x1.4
SD3118	4.7	0.162	1.31	3.8x3.8x1.2
SD25	4.7	0.0467	1.83	5.0x5.0x2.5
Würth Elektronik				
WE-TPC Type Tiny	4.7	0.100	1.7	2.8x2.8x2.8
WE-TPC Type TH	4.7	0.200	0.8	2.8x2.8x1.35
WE-TPC Type S	4.7	0.105	0.90	3.8x3.8x1.65
WE-TPC Type M	4.7	0.082	1.65	4.8x4.8x1.8
Sumida Corporation				
CMD4D06	4.7	0.216	0.75	3.5x4.3x2
CDRH4D	4.7	0.09	0.800	4.6x4.6x1.5
Coilcraft				
XPL2010	4.7	0.336	0.75	1.9x2x1.0
ME3220	4.7	0.190	1.5	2.5x3.2x2.0
XFL3010	4.7	0.217	1.1	3x3x1.0
XFL3012	4.7	0.143	1.0	3x3x1.2
EPL3012	4.7	0.165	1.0	3x3x1.3
LPS4018	4.7	0.125	1.8	4x4x1.8
XFL4020	4.7	0.052	2.0	4x4x2.1
TDK Corporation				
VLS3015ET-4R7M	4.7	0.113	1.1	3x3x1.5
B82462 G4472M	4.7	0.04	1.8	6x6x3
B82462 A4472M	4.7	0.08	2.8	6x6x3

MCP16251/2

Several parameters are used to select the inductor correctly: maximum rated current, saturation current and copper resistance (ESR). For boost converters, the inductor current can be much higher than the output current. The lower the inductor ESR, the higher the efficiency of the converter, a common trade-off in size versus efficiency.

The saturation current typically specifies a point at which the inductance has rolled off a percentage of the rated value. This can range from a 20-to-40% reduction in inductance. As the inductance rolls off, the inductor ripple current increases, as does the peak switch current. It is important to keep the inductance from rolling off too much, causing switch current to reach the peak limit.

5.6 One-Cell Application Considerations

The MCP16251/2 was designed to operate with a wide input voltage range after start-up, down to 0.35V, to accommodate a large variety of input sources. When considering a primary power solution for a design, the battery type and load current needs must be carefully selected.

The MCP16251/2 start-up voltage is typical 0.82V at 1 mA load but this does not act as an UVLO start-up threshold. The start-up sequence is detailed in [Section 4.2.1 “Low-Voltage Start-up”](#) and begins with the charging of the output capacitor at limited, constant current until the output voltage equals the input voltage. The device starts draining current to bias its internal circuitry before the 0.82V input and cannot start-up or operate well with high-impedance sources because their voltage varies in time, from zero to over 0.82V (i.e., energy harvesting). Start-up voltage is the point where the device starts switching in closed loop and the output is regulated and depends on load and temperature as shown in [Figures 2-12, 2-13 and 2-14](#).

There are a few aspects to deal with when designing a step-up converter supplied from one alkaline or rechargeable cell. Batteries are available in a variety of sizes and chemistries and can support a variety of drain rates.

No matter the chemistry, most batteries have several things in common. They should not be drained below their specified FEP (Functional End Point or Cut-Off Voltage). Below this point, if the battery has a load applied to it, there will not be enough energy to deliver power because all usable capacity is used. For an alkaline cell, FEP is 0.9V or 0.8V. Using the alkaline cell below the FEP will increase the risk of leakage. There is an exception for alkaline batteries: if the battery voltage is strictly monitored, it can be drained down to 0.5V in one-cell applications only. For a rechargeable NiMH cell, the FEP value is usually 1.0V – 1.1V.

As the battery discharges, its deliverable energy or capacity decreases and the internal resistance increases. For example, the internal resistance of an alkaline cell goes up to 1Ω when discharged causing a voltage drop of up to hundreds of mV on the battery terminals under load conditions. This aspect will result in the converter’s inability to start-up properly in applications which require short periods of ON time and long periods of Sleep. When the load is removed, the battery voltage slowly recovers. These long cycles may bring the battery voltage close to its nominal value. However, a nearly depleted battery will not be capable of maintaining its voltage once the heavier load is applied during the next cycle. At each attempt, the converter drains a large amount of current to restart (see [Figure 2-21](#)), weakening the battery even further. As the battery voltage recovers in time, the converter will try to start-up as soon as its minimum input voltage-vs.-load condition is reached.

In conclusion, with a battery discharged down to its FEP, a boost converter may start-up and work well under light load (in PFM mode), but will stop or lose regulation when a high load current is required.

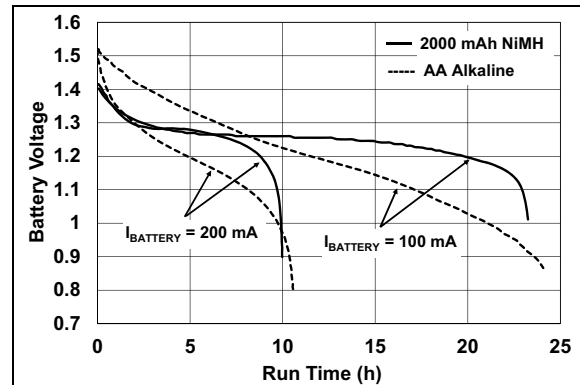


FIGURE 5-1: Example of a Typical Constant-Current Load Discharge Profile for an Alkaline and NiMH Cell.

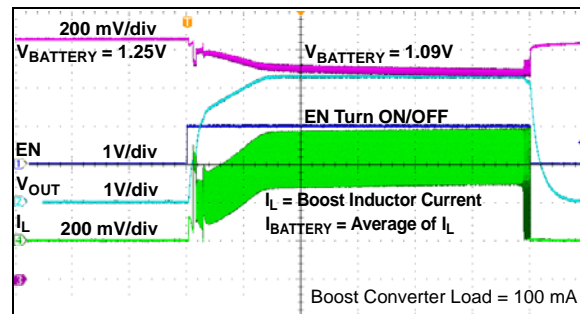


FIGURE 5-2: MCP16251 3.3V_{OUT}/100 mA Boost Converter Waveforms Powered from One Alkaline Cell Discharged to 1.25V Open Load Voltage (Cell Internal Resistance Is Approximately 0.7 Ohms).

Another particular situation is powering a boost circuit from one rechargeable cell like NiMH or NiCd. These applications need an external MCU to monitor the cell voltage or a separate UVLO circuit to prevent deep discharging, which results in permanent cell damage. In a multi-cell powered application (e.g., 2.4V typ. from two NiMH cells) deep discharging will result in a reverse polarity charging of one of the cells due the unbalanced cell voltages, thus damaging the respective cell.

5.6.1 UVLO CIRCUIT FOR SINGLE-CELL APPLICATIONS

In single-cell battery applications, it is not always possible to monitor the start-up and shut-down voltages using a MCU (due to MCU's features or to I/O pin count limitations).

One simple way to implement a ULVO circuit is a simple diode placed between the V_{IN} pin (with anode) and EN pin (with cathode) and a bias resistor from EN to GND.

Another example which shows an additional ultra low power undervoltage lockout (UVLO) circuit with Start and Stop thresholds is shown in Figure 5-3. Both thresholds are programmable (1.15V to start and 0.8V to stop the converter functionality) and new values can be easily calculated using Equations 5-3 and 5-4. The UVLO circuit consumes 0.5 μ A up to max. 2 μ A from one battery.

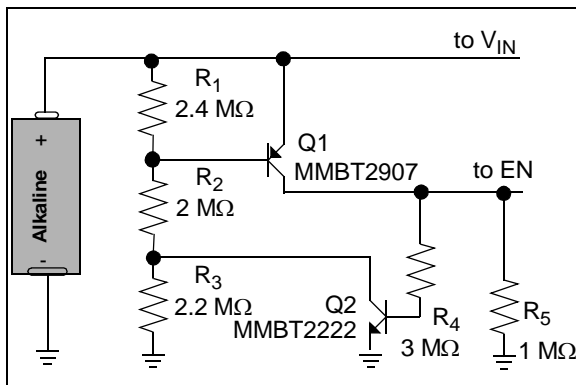


FIGURE 5-3: UVLO Circuit Example of a Low Voltage Boost Converter with 1.15V Start and 0.8V Stop Thresholds.

EQUATION 5-3:

$$ULVO_{START} \sim 0.4 \times \frac{(R_1 + R_2 + R_3)}{R_1}$$

EQUATION 5-4:

$$ULVO_{STOP} \sim 0.4 \times \frac{(R_1 + R_2)}{R_1}$$

where:

0.4 is V_{EBQ1} for selected M Ω resistors range. It increases to 0.6 if resistors are in k Ω range.

5.7 Thermal Calculations

The MCP16251/2 is available in two different packages (SOT-23-6 and 2x3x0.8 TDFN-8). By calculating the power dissipation and applying the package thermal resistance (θ_{JA}), the junction temperature is estimated. The maximum continuous junction temperature rating for the MCP16251/2 family of devices is +125°C.

To quickly estimate the internal power dissipation for the switching boost regulator, an empirical calculation using measured efficiency can be used. Given the measured efficiency, the internal power dissipation is estimated by Equation 5-5.

EQUATION 5-5:

$$\left(\frac{V_{OUT} \times I_{OUT}}{\text{Efficiency}} \right) - (V_{OUT} \times I_{OUT}) = P_{Dis}$$

The difference between the first term, input power, and the second term, power delivered, is the internal MCP16251/2 power dissipation. This is an estimate which assumes that most of the power lost is internal to the MCP16251/2 and not to the C_{IN} , C_{OUT} and/or the inductor. There is some percentage of power lost in the boost inductor, with very little loss in the input and output capacitors. For a more accurate estimation of internal power dissipation, subtract the $I_{INRMS}^2 \times L_{ESR}$ power dissipation.

5.8 PCB Layout Information

Good printed circuit board layout techniques are important to any switching circuitry, and switching power supplies are no different. When wiring the switching high current paths, short and wide traces should be used. Therefore, it is important that the input and output capacitors be placed as close as possible to the MCP16251/2 to minimize the loop area.

The feedback resistors and feedback signal should be routed away from the switching node and the switching current loop. When possible, ground planes and traces should be used to help shield the feedback signal and minimize noise and magnetic interference.

MCP16251/2

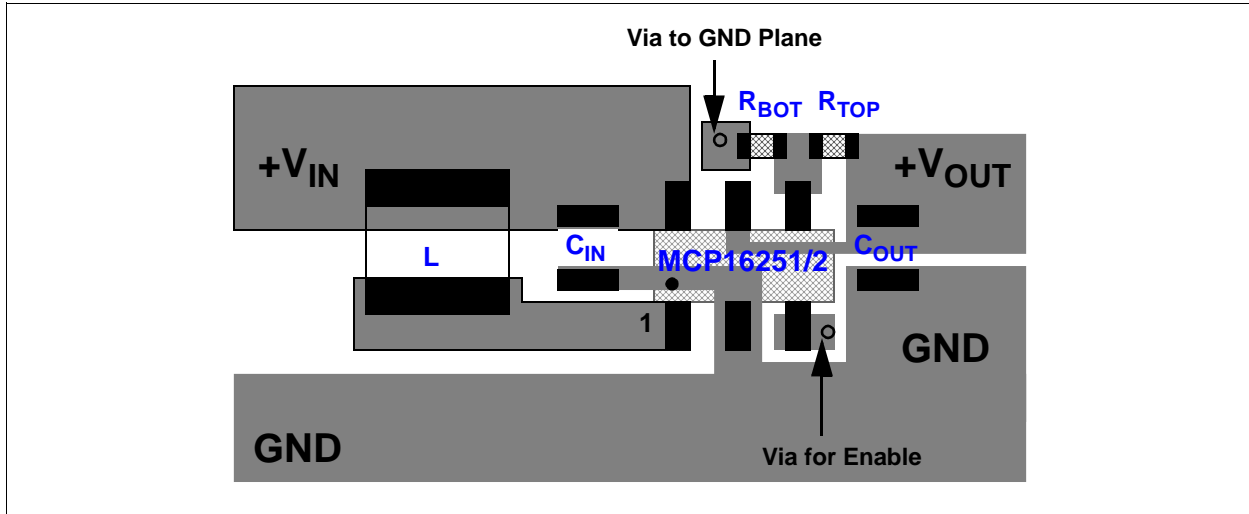


FIGURE 5-4: MCP16251/2 SOT-23-6 Recommended Layout.

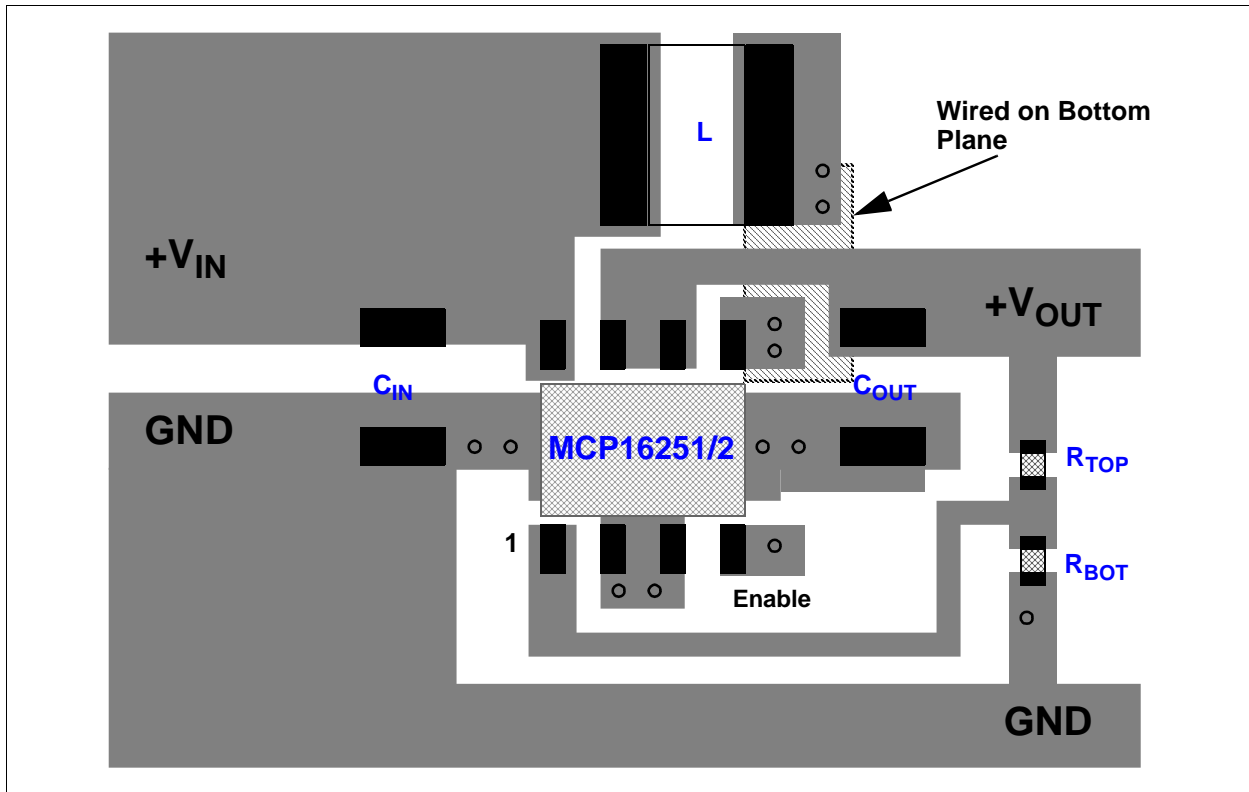


FIGURE 5-5: MCP16251/2 TDFN-8 Recommended Layout.

6.0 TYPICAL APPLICATION CIRCUITS

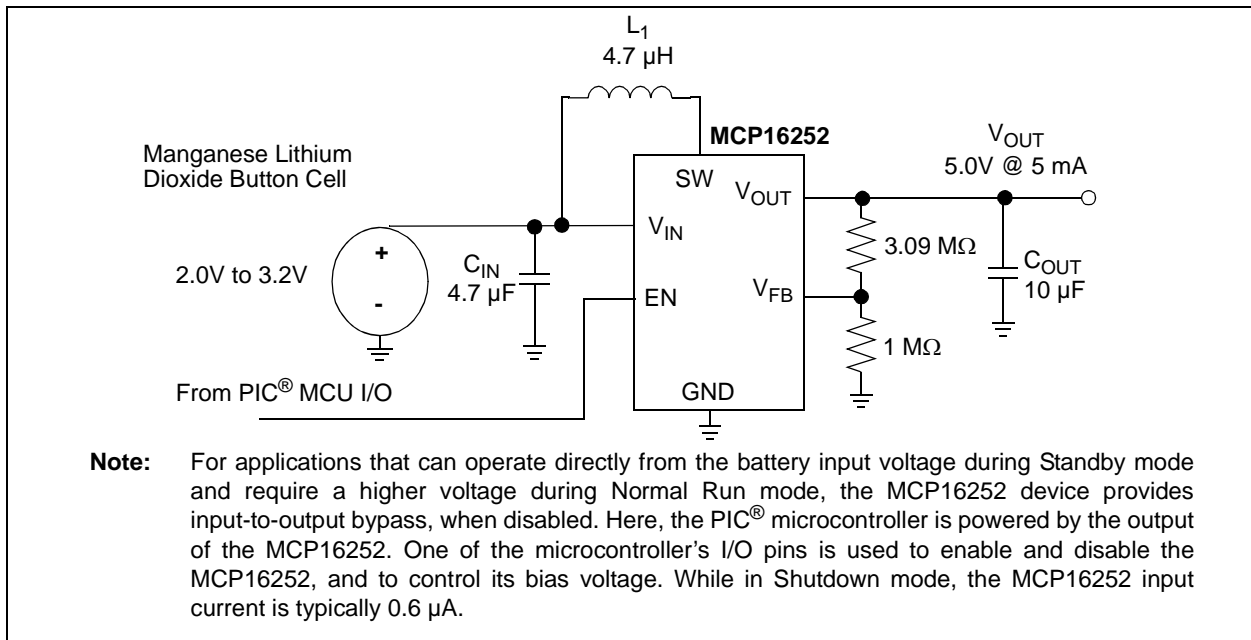


FIGURE 6-1: Manganese Lithium Coin Cell Application using I/O Bypass Mode.

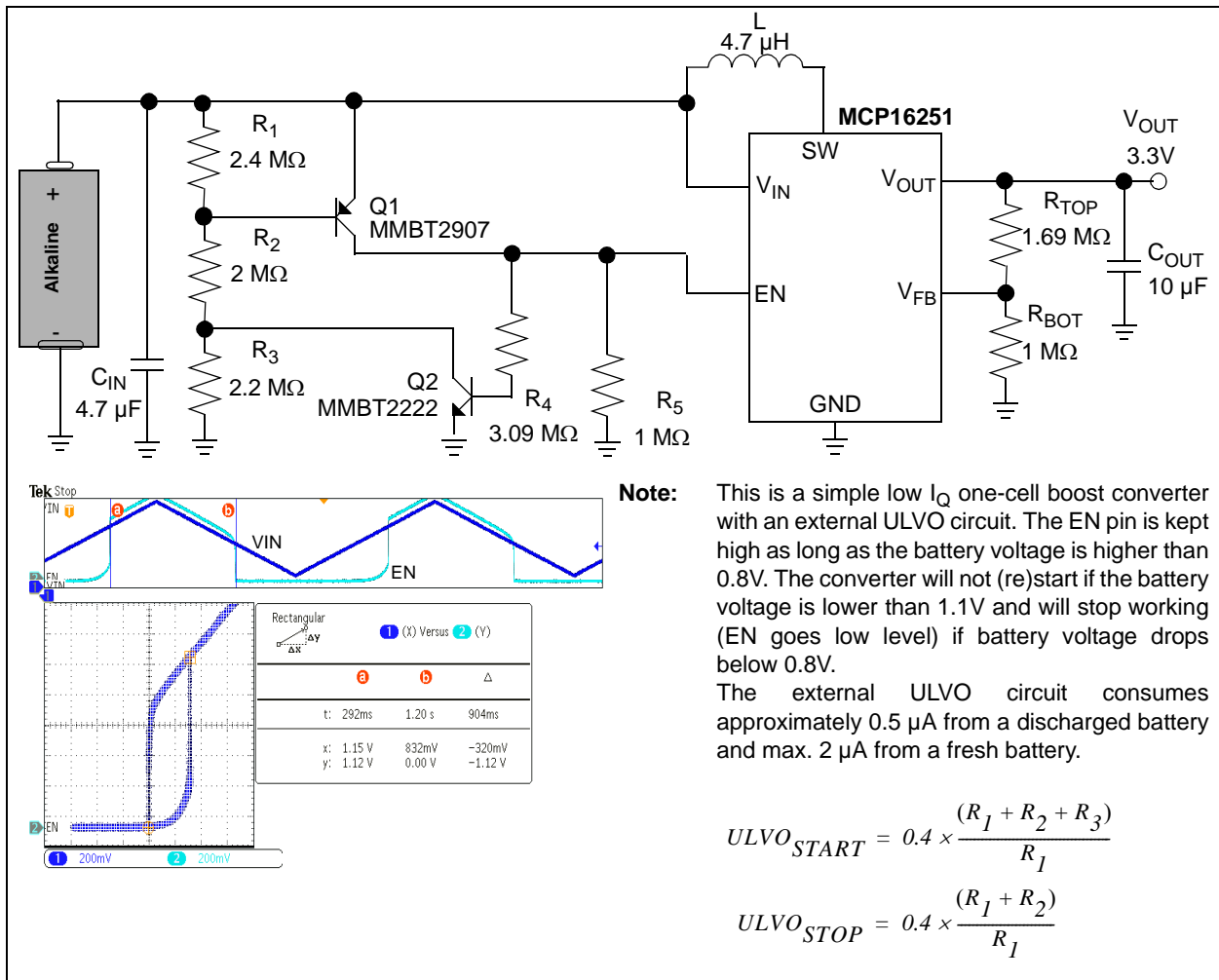
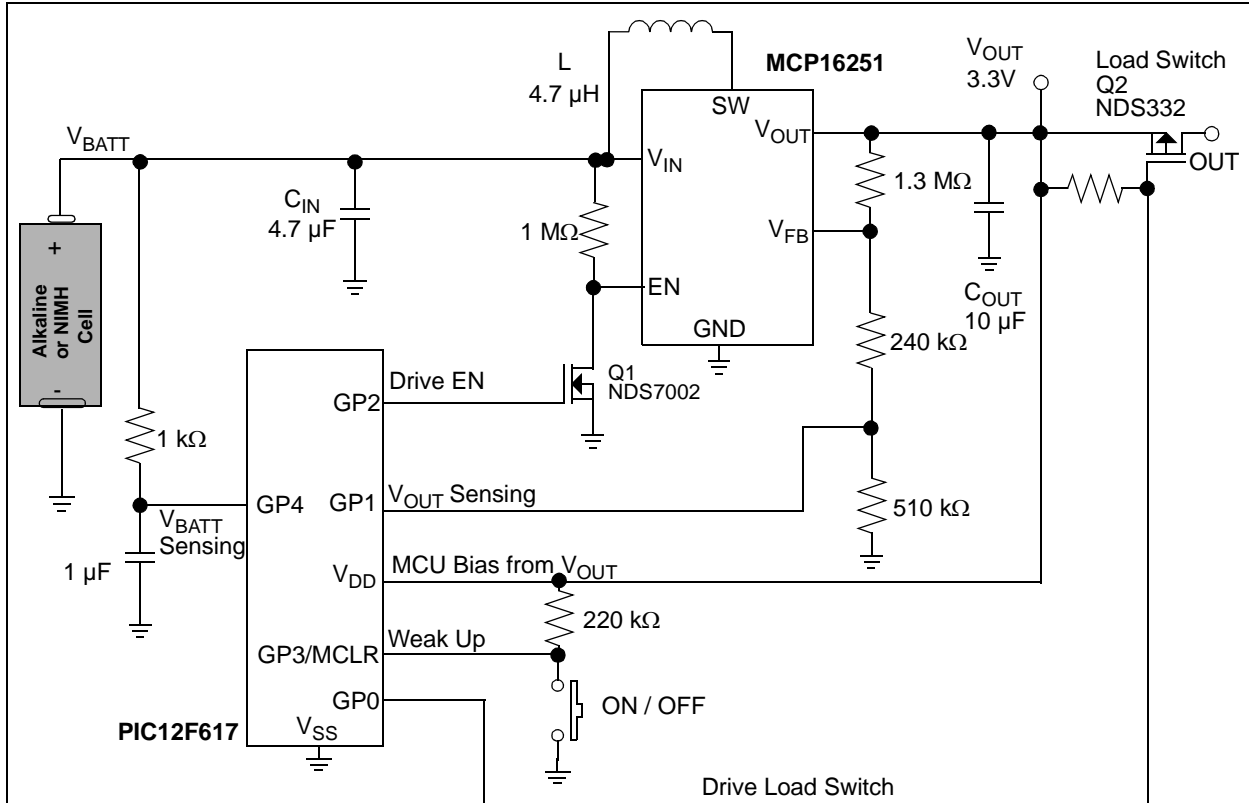


FIGURE 6-2: MCP16251 with an External ULVO Circuit.

MCP16251/2



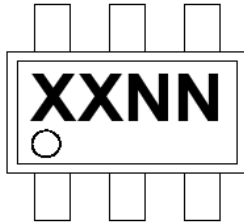
Note: Application example for a simple low I_Q one-cell boost converter attached to a PIC[®] MCU to monitor battery and output converter voltages and drive a load switch. When battery is connected, EN is pulled high by a 1 MΩ resistor and the converter starts regulating V_{OUT} , biasing the PIC MCU. The push button is used to switch on and off the load switch and put the PIC MCU in Deep Sleep mode. Battery energy is saved during the time when no power is needed for the load by pulsing the EN pin with low frequency to keep the output in a 2.3-to-3.3V range for the V_{DD} pin of the PIC MCU. A detailed description of this application can be found in the “MCP1640 Single Quadruple-A Battery Boost Converter Reference Design”, (DS51922) and in application note AN1337, “Optimizing Battery Life in DC Boost Converters Using MCP1640”, (DS01337).

FIGURE 6-3: Application showing a PIC[®] MCU attached to the MCP16251 to help optimize battery life, and monitor the battery and output voltages.

7.0 PACKAGING INFORMATION

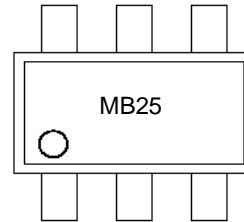
7.1 Package Marking Information

6-Lead SOT-23



Part Number	Code
MCP16251T-I/CH	MBNN
MCP16252T-I/CH	MCNN

Example:

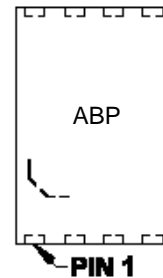


8-Lead TDFN (2x3x0.8)



Part Number	Code
MCP16251T-I/MNY	ABP
MCP16252T-I/MNY	ABQ

Example:



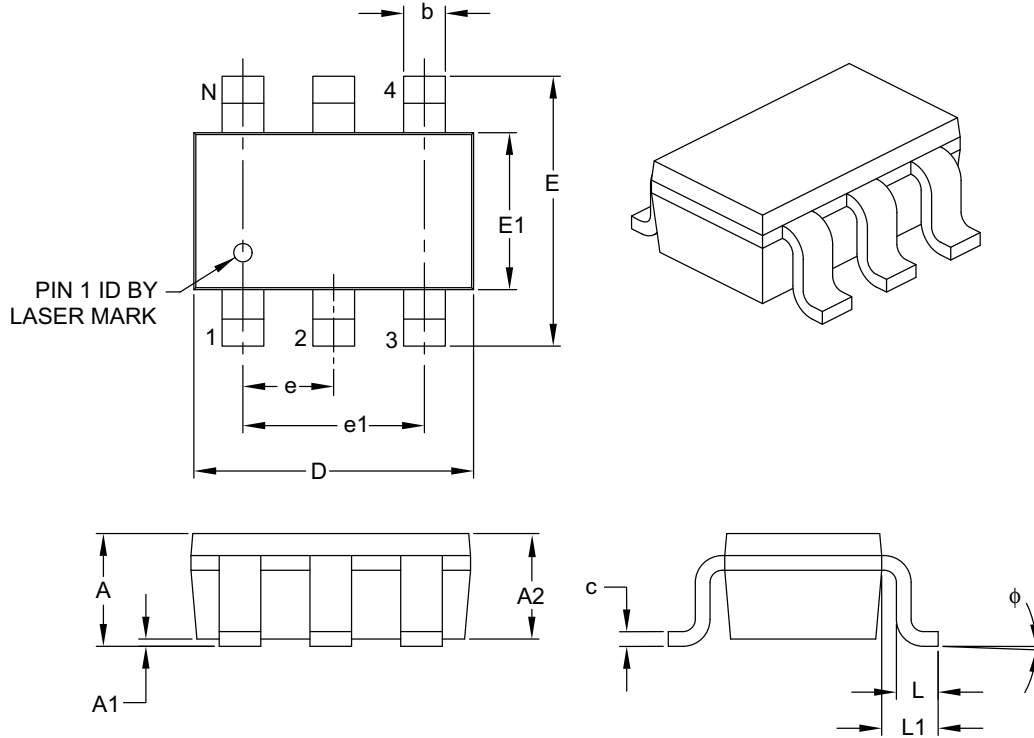
Legend:	XX...X	Customer-specific information
	Y	Year code (last digit of calendar year)
	YY	Year code (last 2 digits of calendar year)
	WW	Week code (week of January 1 is week '01')
	NNN	Alphanumeric traceability code
	(e3)	Pb-free JEDEC designator for Matte Tin (Sn)
	*	This package is Pb-free. The Pb-free JEDEC designator (e3) can be found on the outer packaging for this package.

Note: In the event the full Microchip part number cannot be marked on one line, it will be carried over to the next line, thus limiting the number of available characters for customer-specific information.

MCP16251/2

6-Lead Plastic Small Outline Transistor (CH) [SOT-23]

Note: For the most current package drawings, please see the Microchip Packaging Specification located at <http://www.microchip.com/packaging>



Dimension Limits	Units	MILLIMETERS		
		MIN	NOM	MAX
Number of Pins	N	6		
Pitch	e	0.95 BSC		
Outside Lead Pitch	e1	1.90 BSC		
Overall Height	A	0.90	–	1.45
Molded Package Thickness	A2	0.89	–	1.30
Standoff	A1	0.00	–	0.15
Overall Width	E	2.20	–	3.20
Molded Package Width	E1	1.30	–	1.80
Overall Length	D	2.70	–	3.10
Foot Length	L	0.10	–	0.60
Footprint	L1	0.35	–	0.80
Foot Angle	ϕ	0°	–	30°
Lead Thickness	c	0.08	–	0.26
Lead Width	b	0.20	–	0.51

Notes:

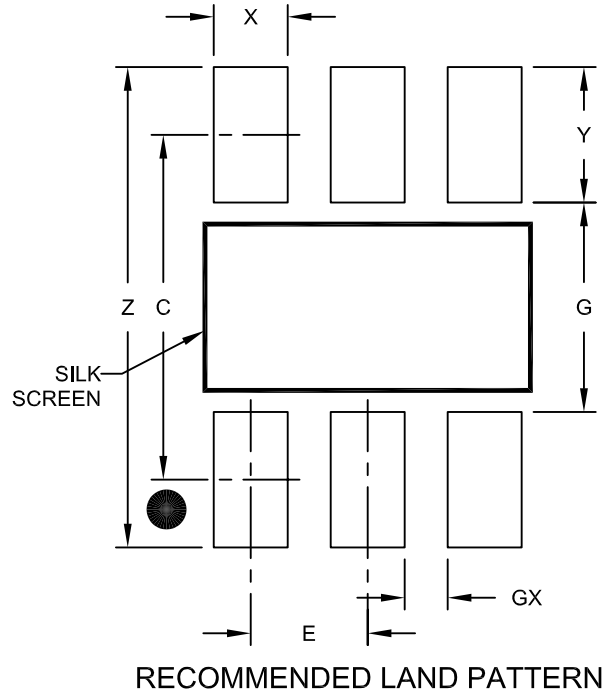
- Dimensions D and E1 do not include mold flash or protrusions. Mold flash or protrusions shall not exceed 0.127 mm per side.
- Dimensioning and tolerancing per ASME Y14.5M.

BSC: Basic Dimension. Theoretically exact value shown without tolerances.

Microchip Technology Drawing C04-028B

6-Lead Plastic Small Outline Transistor (CH) [SOT-23]

Note: For the most current package drawings, please see the Microchip Packaging Specification located at <http://www.microchip.com/packaging>



Dimension Limits	Units	MILLIMETERS		
		MIN	NOM	MAX
Contact Pitch	E	0.95 BSC		
Contact Pad Spacing	C		2.80	
Contact Pad Width (X6)	X			0.60
Contact Pad Length (X6)	Y			1.10
Distance Between Pads	G	1.70		
Distance Between Pads	GX	0.35		
Overall Width	Z			3.90

Notes:

1. Dimensioning and tolerancing per ASME Y14.5M

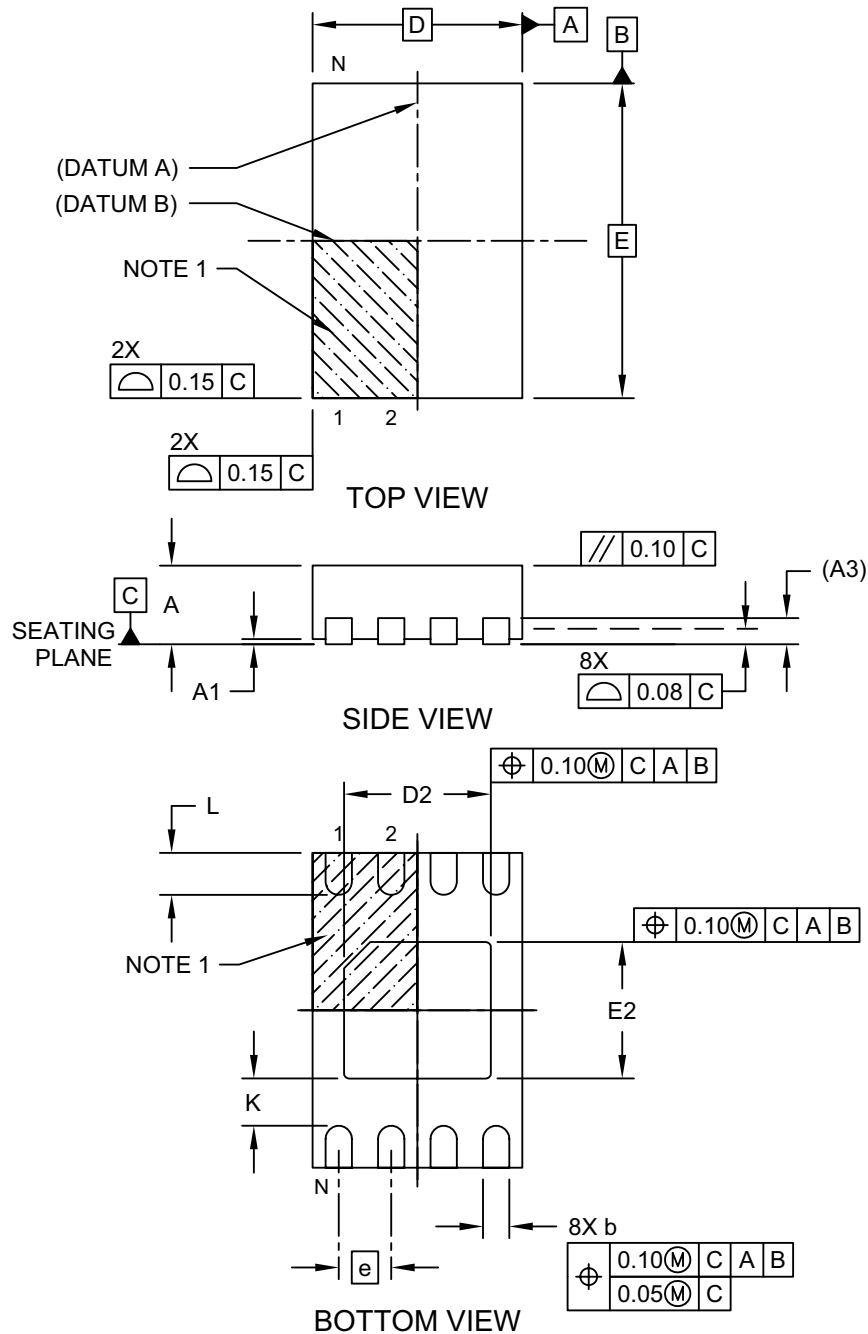
BSC: Basic Dimension. Theoretically exact value shown without tolerances.

Microchip Technology Drawing No. C04-2028A

MCP16251/2

8-Lead Plastic Dual Flat, No Lead Package (MNY) – 2x3x0.8 mm Body [TDFN] With 1.4x1.3 mm Exposed Pad (JEDEC Package type WDFN)

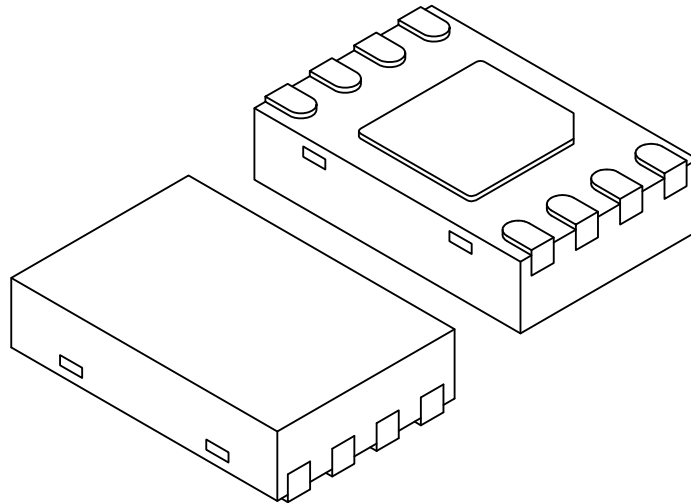
Note: For the most current package drawings, please see the Microchip Packaging Specification located at <http://www.microchip.com/packaging>



Microchip Technology Drawing No. C04-129-MNY Rev E Sheet 1 of 2

8-Lead Plastic Dual Flat, No Lead Package (MNY) – 2x3x0.8 mm Body [TDFN] With 1.4x1.3 mm Exposed Pad (JEDEC Package type WDFN)

Note: For the most current package drawings, please see the Microchip Packaging Specification located at <http://www.microchip.com/packaging>



Dimension Limits	Units	MILLIMETERS		
		MIN	NOM	MAX
Number of Pins	N	8		
Pitch	e	0.50 BSC		
Overall Height	A	0.70	0.75	0.80
Standoff	A1	0.00	0.02	0.05
Contact Thickness	A3	0.20 REF		
Overall Length	D	2.00 BSC		
Overall Width	E	3.00 BSC		
Exposed Pad Length	D2	1.35	1.40	1.45
Exposed Pad Width	E2	1.25	1.30	1.35
Contact Width	b	0.20	0.25	0.30
Contact Length	L	0.25	0.30	0.45
Contact-to-Exposed Pad	K	0.20	-	-

Notes:

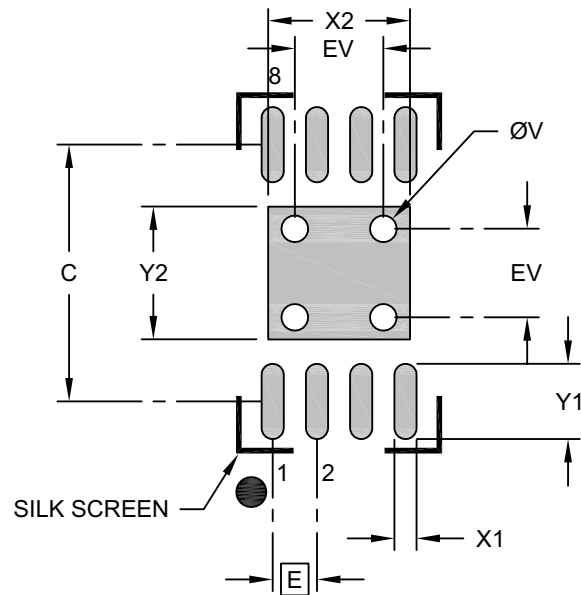
- Pin 1 visual index feature may vary, but must be located within the hatched area.
- Package may have one or more exposed tie bars at ends.
- Package is saw singulated
- Dimensioning and tolerancing per ASME Y14.5M
 - BSC: Basic Dimension. Theoretically exact value shown without tolerances.
 - REF: Reference Dimension, usually without tolerance, for information purposes only.

Microchip Technology Drawing No. C04-129-MNY Rev E Sheet 2 of 2

MCP16251/2

8-Lead Plastic Dual Flat, No Lead Package (MNY) – 2x3x0.8 mm Body [TDFN] With 1.4x1.3 mm Exposed Pad (JEDEC Package type WDFN)

Note: For the most current package drawings, please see the Microchip Packaging Specification located at <http://www.microchip.com/packaging>



RECOMMENDED LAND PATTERN

Dimension Limits	Units	MILLIMETERS		
		MIN	NOM	MAX
Contact Pitch	E	0.50 BSC		
Optional Center Pad Width	X2			1.60
Optional Center Pad Length	Y2			1.50
Contact Pad Spacing	C		2.90	
Contact Pad Width (X8)	X1			0.25
Contact Pad Length (X8)	Y1			0.85
Thermal Via Diameter	V		0.30	
Thermal Via Pitch	EV		1.00	

Notes:

- Dimensioning and tolerancing per ASME Y14.5M
BSC: Basic Dimension. Theoretically exact value shown without tolerances.
- For best soldering results, thermal vias, if used, should be filled or tented to avoid solder loss during reflow process

Microchip Technology Drawing No. C04-129-MNY Rev. B

APPENDIX A: REVISION HISTORY

Revision B (September 2016)

The following is the list of modifications:

- Added [Section 5.6 “One-Cell Application Considerations”](#).
- Updated [Section 6.0 “Typical Application Circuits”](#).
- Minor typographical corrections

Revision A (March 2013)

- Original Release of this Document.

MCP16251/2

NOTES:

PRODUCT IDENTIFICATION SYSTEM

To order or obtain information, e.g., on pricing or delivery, refer to the factory or the listed sales office.

<u>PART NO.</u>	<u>X</u>	<u>-X</u>	<u>/XX</u>
Device	Tape and Reel	Temperature Range	Package
<p>Device:</p> <p>MCP16251T: Low Quiescent Current, PFM/PWM Synchronous Boost Regulator, True Output Disconnect Shutdown Option (Tape and Reel)</p> <p>MCP16252T: Low Quiescent Current, PFM/PWM Synchronous Boost Regulator, Input-to-Output Bypass Shutdown Option (Tape and Reel)</p> <p>Temperature Range: I = -40°C to +85°C (Industrial)</p> <p>Package:</p> <p>CH = Plastic Small Outline Transistor, SOT-23, 6-lead</p> <p>MNY* = Lead Plastic Dual Flat, No Lead Package, 2x3x0.8 mm TDFN, 8-lead</p> <p>*Y = Nickel palladium gold manufacturing designator</p>			
<p>Examples:</p> <p>a) MCP16251T-I/CH: Tape and Reel Industrial Temperature 6LD SOT-23 Package</p> <p>b) MCP16251T-I/MNY: Tape and Reel Industrial Temperature 8LD 2x3 TDFN Package</p> <p>a) MCP16252T-I/CH: Tape and Reel Industrial Temperature 6LD SOT-23 Package</p> <p>b) MCP16252T-I/MNY: Tape and Reel Industrial Temperature 8LD 2x3 TDFN Package</p>			

MCP16251/2

NOTES:

Note the following details of the code protection feature on Microchip devices:

- Microchip products meet the specification contained in their particular Microchip Data Sheet.
- Microchip believes that its family of products is one of the most secure families of its kind on the market today, when used in the intended manner and under normal conditions.
- There are dishonest and possibly illegal methods used to breach the code protection feature. All of these methods, to our knowledge, require using the Microchip products in a manner outside the operating specifications contained in Microchip's Data Sheets. Most likely, the person doing so is engaged in theft of intellectual property.
- Microchip is willing to work with the customer who is concerned about the integrity of their code.
- Neither Microchip nor any other semiconductor manufacturer can guarantee the security of their code. Code protection does not mean that we are guaranteeing the product as “unbreakable.”

Code protection is constantly evolving. We at Microchip are committed to continuously improving the code protection features of our products. Attempts to break Microchip's code protection feature may be a violation of the Digital Millennium Copyright Act. If such acts allow unauthorized access to your software or other copyrighted work, you may have a right to sue for relief under that Act.

Information contained in this publication regarding device applications and the like is provided only for your convenience and may be superseded by updates. It is your responsibility to ensure that your application meets with your specifications. MICROCHIP MAKES NO REPRESENTATIONS OR WARRANTIES OF ANY KIND WHETHER EXPRESS OR IMPLIED, WRITTEN OR ORAL, STATUTORY OR OTHERWISE, RELATED TO THE INFORMATION, INCLUDING BUT NOT LIMITED TO ITS CONDITION, QUALITY, PERFORMANCE, MERCHANTABILITY OR FITNESS FOR PURPOSE. Microchip disclaims all liability arising from this information and its use. Use of Microchip devices in life support and/or safety applications is entirely at the buyer's risk, and the buyer agrees to defend, indemnify and hold harmless Microchip from any and all damages, claims, suits, or expenses resulting from such use. No licenses are conveyed, implicitly or otherwise, under any Microchip intellectual property rights unless otherwise stated.

Microchip received ISO/TS-16949:2009 certification for its worldwide headquarters, design and wafer fabrication facilities in Chandler and Tempe, Arizona; Gresham, Oregon and design centers in California and India. The Company's quality system processes and procedures are for its PIC® MCUs and dsPIC® DSCs, KEELoC® code hopping devices, Serial EEPROMs, microperipherals, nonvolatile memory and analog products. In addition, Microchip's quality system for the design and manufacture of development systems is ISO 9001:2000 certified.

**QUALITY MANAGEMENT SYSTEM
CERTIFIED BY DNV
= ISO/TS 16949 =**

Trademarks

The Microchip name and logo, the Microchip logo, AnyRate, dsPIC, FlashFlex, flexPWR, Heldo, JukeBlox, KeeLoq, KeeLoq logo, Klear, LANCheck, LINK MD, MediaLB, MOST, MOST logo, MPLAB, OptoLyzer, PIC, PICSTART, PIC32 logo, RightTouch, SpyNIC, SST, SST Logo, SuperFlash and UNI/O are registered trademarks of Microchip Technology Incorporated in the U.S.A. and other countries.

ClockWorks, The Embedded Control Solutions Company, ETHERSYNCH, Hyper Speed Control, HyperLight Load, IntelliMOS, mTouch, Precision Edge, and QUIET-WIRE are registered trademarks of Microchip Technology Incorporated in the U.S.A.

Analog-for-the-Digital Age, Any Capacitor, AnyIn, AnyOut, BodyCom, chipKIT, chipKIT logo, CodeGuard, dsPICDEM, dsPICDEM.net, Dynamic Average Matching, DAM, ECAN, EtherGREEN, In-Circuit Serial Programming, ICSP, Inter-Chip Connectivity, JitterBlocker, KlearNet, KlearNet logo, MiWi, motorBench, MPASM, MPF, MPLAB Certified logo, MPLIB, MPLINK, MultiTRAK, NetDetach, Omniscient Code Generation, PICDEM, PICDEM.net, PICkit, PICtail, PureSilicon, RightTouch logo, REAL ICE, Ripple Blocker, Serial Quad I/O, SQL, SuperSwitcher, SuperSwitcher II, Total Endurance, TSHARC, USBCheck, VariSense, ViewSpan, WiperLock, Wireless DNA, and ZENA are trademarks of Microchip Technology Incorporated in the U.S.A. and other countries.

SQTP is a service mark of Microchip Technology Incorporated in the U.S.A.

Silicon Storage Technology is a registered trademark of Microchip Technology Inc. in other countries.

GestIC is a registered trademark of Microchip Technology Germany II GmbH & Co. KG, a subsidiary of Microchip Technology Inc., in other countries.

All other trademarks mentioned herein are property of their respective companies.

© 2013 - 2016, Microchip Technology Incorporated, Printed in the U.S.A., All Rights Reserved.

ISBN: 978-1-5224-0953-3



MICROCHIP

Worldwide Sales and Service

AMERICAS

Corporate Office

2355 West Chandler Blvd.
Chandler, AZ 85224-6199

Tel: 480-792-7200

Fax: 480-792-7277

Technical Support:

[http://www.microchip.com/
support](http://www.microchip.com/support)

Web Address:

www.microchip.com

Atlanta

Duluth, GA

Tel: 678-957-9614

Fax: 678-957-1455

Austin, TX

Tel: 512-257-3370

Boston

Westborough, MA

Tel: 774-760-0087

Fax: 774-760-0088

Chicago

Itasca, IL

Tel: 630-285-0071

Fax: 630-285-0075

Cleveland

Independence, OH

Tel: 216-447-0464

Fax: 216-447-0643

Dallas

Addison, TX

Tel: 972-818-7423

Fax: 972-818-2924

Detroit

Novi, MI

Tel: 248-848-4000

Houston, TX

Tel: 281-894-5983

Indianapolis

Noblesville, IN

Tel: 317-773-8323

Fax: 317-773-5453

Los Angeles

Mission Viejo, CA

Tel: 949-462-9523

Fax: 949-462-9608

New York, NY

Tel: 631-435-6000

San Jose, CA

Tel: 408-735-9110

Canada - Toronto

Tel: 905-695-1980

Fax: 905-695-2078

ASIA/PACIFIC

Asia Pacific Office

Suites 3707-14, 37th Floor
Tower 6, The Gateway
Harbour City, Kowloon

Hong Kong

Tel: 852-2943-5100

Fax: 852-2401-3431

Australia - Sydney

Tel: 61-2-9868-6733

Fax: 61-2-9868-6755

China - Beijing

Tel: 86-10-8569-7000

Fax: 86-10-8528-2104

China - Chengdu

Tel: 86-28-8665-5511

Fax: 86-28-8665-7889

China - Chongqing

Tel: 86-23-8980-9588

Fax: 86-23-8980-9500

China - Dongguan

Tel: 86-769-8702-9880

China - Guangzhou

Tel: 86-20-8755-8029

China - Hangzhou

Tel: 86-571-8792-8115

Fax: 86-571-8792-8116

China - Hong Kong SAR

Tel: 852-2943-5100

Fax: 852-2401-3431

China - Nanjing

Tel: 86-25-8473-2460

Fax: 86-25-8473-2470

China - Qingdao

Tel: 86-532-8502-7355

Fax: 86-532-8502-7205

China - Shanghai

Tel: 86-21-5407-5533

Fax: 86-21-5407-5066

China - Shenyang

Tel: 86-24-2334-2829

Fax: 86-24-2334-2393

China - Shenzhen

Tel: 86-755-8864-2200

Fax: 86-755-8203-1760

China - Wuhan

Tel: 86-27-5980-5300

Fax: 86-27-5980-5118

China - Xian

Tel: 86-29-8833-7252

Fax: 86-29-8833-7256

ASIA/PACIFIC

China - Xiamen

Tel: 86-592-2388138

Fax: 86-592-2388130

China - Zhuhai

Tel: 86-756-3210040

Fax: 86-756-3210049

India - Bangalore

Tel: 91-80-3090-4444

Fax: 91-80-3090-4123

India - New Delhi

Tel: 91-11-4160-8631

Fax: 91-11-4160-8632

India - Pune

Tel: 91-20-3019-1500

Japan - Osaka

Tel: 81-6-6152-7160

Fax: 81-6-6152-9310

Japan - Tokyo

Tel: 81-3-6880-3770

Fax: 81-3-6880-3771

Korea - Daegu

Tel: 82-53-744-4301

Fax: 82-53-744-4302

Korea - Seoul

Tel: 82-2-554-7200

Fax: 82-2-558-5932 or

82-2-558-5934

Malaysia - Kuala Lumpur

Tel: 60-3-6201-9857

Fax: 60-3-6201-9859

Malaysia - Penang

Tel: 60-4-227-8870

Fax: 60-4-227-4068

Philippines - Manila

Tel: 63-2-634-9065

Fax: 63-2-634-9069

Singapore

Tel: 65-6334-8870

Fax: 65-6334-8850

Taiwan - Hsin Chu

Tel: 886-3-5778-366

Fax: 886-3-5770-955

Taiwan - Kaohsiung

Tel: 886-7-213-7828

Taiwan - Taipei

Tel: 886-2-2508-8600

Fax: 886-2-2508-0102

Thailand - Bangkok

Tel: 66-2-694-1351

Fax: 66-2-694-1350

EUROPE

Austria - Wels

Tel: 43-7242-2244-39

Fax: 43-7242-2244-393

Denmark - Copenhagen

Tel: 45-4450-2828

Fax: 45-4485-2829

France - Paris

Tel: 33-1-69-53-63-20

Fax: 33-1-69-30-90-79

Germany - Dusseldorf

Tel: 49-2129-3766400

Germany - Karlsruhe

Tel: 49-721-625370

Germany - Munich

Tel: 49-89-627-144-0

Fax: 49-89-627-144-44

Italy - Milan

Tel: 39-0331-742611

Fax: 39-0331-466781

Italy - Venice

Tel: 39-049-7625286

Netherlands - Drunen

Tel: 31-416-690399

Fax: 31-416-690340

Poland - Warsaw

Tel: 48-22-3325737

Spain - Madrid

Tel: 34-91-708-08-90

Fax: 34-91-708-08-91

Sweden - Stockholm

Tel: 46-8-5090-4654

UK - Wokingham

Tel: 44-118-921-5800

Fax: 44-118-921-5820

06/23/16

Mouser Electronics

Authorized Distributor

Click to View Pricing, Inventory, Delivery & Lifecycle Information:

[Microchip:](#)

[MCP16252T-I/CH](#) [MCP16251T-I/CH](#) [MCP16251T-I/MNY](#) [MCP16252T-I/MNY](#)

Компания «Океан Электроники» предлагает заключение долгосрочных отношений при поставках импортных электронных компонентов на взаимовыгодных условиях!

Наши преимущества:

- Поставка оригинальных импортных электронных компонентов напрямую с производств Америки, Европы и Азии, а так же с крупнейших складов мира;
- Широкая линейка поставок активных и пассивных импортных электронных компонентов (более 30 млн. наименований);
- Поставка сложных, дефицитных, либо снятых с производства позиций;
- Оперативные сроки поставки под заказ (от 5 рабочих дней);
- Экспресс доставка в любую точку России;
- Помощь Конструкторского Отдела и консультации квалифицированных инженеров;
- Техническая поддержка проекта, помощь в подборе аналогов, поставка прототипов;
- Поставка электронных компонентов под контролем ВП;
- Система менеджмента качества сертифицирована по Международному стандарту ISO 9001;
- При необходимости вся продукция военного и аэрокосмического назначения проходит испытания и сертификацию в лаборатории (по согласованию с заказчиком);
- Поставка специализированных компонентов военного и аэрокосмического уровня качества (Xilinx, Altera, Analog Devices, Intersil, Interpoint, Microsemi, Actel, Aeroflex, Peregrine, VPT, Syfer, Eurofarad, Texas Instruments, MS Kennedy, Miteq, Cobham, E2V, MA-COM, Hittite, Mini-Circuits, General Dynamics и др.);

Компания «Океан Электроники» является официальным дистрибьютором и эксклюзивным представителем в России одного из крупнейших производителей разъемов военного и аэрокосмического назначения «**JONHON**», а так же официальным дистрибьютором и эксклюзивным представителем в России производителя высокотехнологичных и надежных решений для передачи СВЧ сигналов «**FORSTAR**».



JONHON

«**JONHON**» (основан в 1970 г.)

Разъемы специального, военного и аэрокосмического назначения:

(Применяются в военной, авиационной, аэрокосмической, морской, железнодорожной, горно- и нефтедобывающей отраслях промышленности)

«**FORSTAR**» (основан в 1998 г.)

ВЧ соединители, коаксиальные кабели,
кабельные сборки и микроволновые компоненты:

(Применяются в телекоммуникациях гражданского и специального назначения, в средствах связи, РЛС, а так же военной, авиационной и аэрокосмической отраслях промышленности).



Телефон: 8 (812) 309-75-97 (многоканальный)

Факс: 8 (812) 320-03-32

Электронная почта: ocean@oceanchips.ru

Web: <http://oceanchips.ru/>

Адрес: 198099, г. Санкт-Петербург, ул. Калинина, д. 2, корп. 4, лит. А