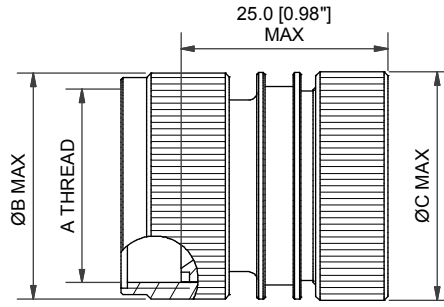
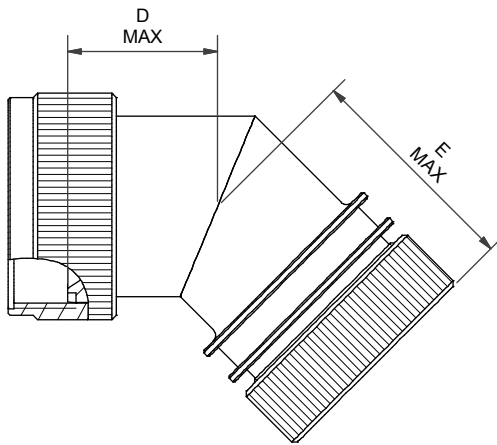
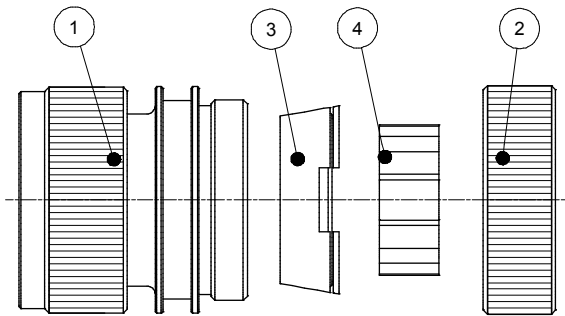


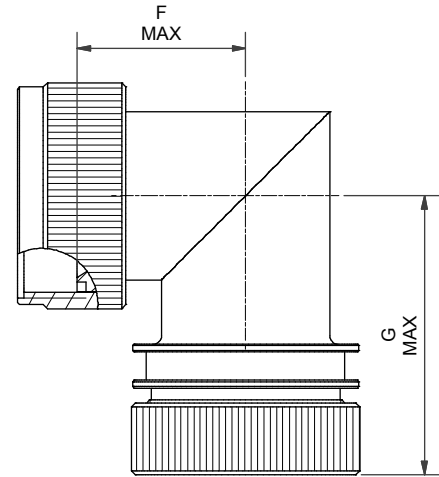
# SPECIFICATION CONTROL DRAWING



**STRAIGHT BODY STYLE - 00**



**45° BODY STYLE - 45**



**90° BODY STYLE - 90**

<b>DRAWN</b>	K.KUTA-WINCZURA	<b>DATE</b>	28/07/2017
<b>CHECKED</b>		<b>DATE</b>	28/07/2017
<b>APPROVED</b>	K.SHEPPARD	<b>DATE</b>	30/07/2017
<b>APPROVED</b>	K.SHEPPARD	<b>DATE</b>	11/12/2017

3RD ANGLE PROJECTION  
NOT TO SCALE

UNLESS OTHERWISE SPECIFIED  
ALL DIMENSIONS IN MILLIMETRES  
**GENERAL TOL**  
LINEAR +/-0.25MM  
ANGULAR +/- 1°

**TITLE:**  
**HEXASHIELD BACKSHELL FOR CODE 54 CONNECTORS, PLAIN CLAMPLING NUT**

**ASSY USED ON:**

REVISIONS			
LTR	DESCRIPTION	DATE	APPROVED
B	REVISED PER D060254	17/08/2006	
C	REVISED PER ECO-17-017923	11/12/2017	K.SHEPPARD

TE CAGE CODE: 06090  
POLAMCO/TE CAGE CODE: U5792

**SEE APPLICATION NOTE**

TE CONNECTIVITY - POLAMCO LTD RESERVES THE RIGHT TO AMEND THIS DRAWING AND THE INFORMATION SET FORTH HEREON AT ANY TIME. USERS SHOULD INDEPENDENTLY EVALUATE THE SUITABILITY OF THE PRODUCT FOR THEIR APPLICATION.

DRAWING NO:  
HEX54-AY-YY-YY-AYY-1-YY

DRG REV: **C**    SHT **1**

**Polamco**  
TE  
connectivity

# SPECIFICATION CONTROL DRAWING

## KIT DESCRIPTION

ITEM	DESCRIPTION	MATERIAL
1	BODY ASSEMBLY	ALUMINIUM ALLOY
2	CLAMPING NUT - PLAIN	ALUMINIUM ALLOY
3	CONIC RING	ALUMINIUM ALLOY
4	STAR	ALUMINIUM ALLOY

## TABLE OF DIMENSIONS

Order Number	Shell Size (see overleaf)		A Thread UNF/UNEF-2B	ØB MAX	ØC MAX	D MAX	E MAX	F MAX	G MAX	Ferrule Quantity		
	Type A	Type B								Std.	Opt.1	Opt.2
09	08	N/A	0.5000"-20	16.0 [0.63"]	17.5 [0.69"]	12.5 [0.49"]	25.5 [1.00"]	16.0 [0.63"]	29.0 [1.14"]	1	-	-
11	10	N/A	0.6250"-24	22.0 [0.87"]	21.5 [0.85"]	13.0 [0.51"]	26.0 [1.02"]	17.5 [0.69"]	30.5 [1.20"]	2	-	-
13	12	07	0.7500"-20	25.0 [0.98"]	22.5 [0.89"]	14.0 [0.55"]	26.5 [1.04"]	19.0 [0.75"]	32.0 [1.26"]	3	-	-
15	14	12	0.8750"-20	30.0 [1.18"]	25.5 [1.00"]	14.5 [0.57"]	27.5 [1.08"]	20.5 [0.81"]	33.5 [1.32"]	5	-	-
17	16	19	1.0000"-20	33.0 [1.30"]	28.5 [1.12"]	15.0 [0.59"]	28.0 [1.10"]	22.0 [0.87"]	35.0 [1.38"]	6	7	-
19	18	27	1.0625"-18	37.0 [1.46"]	31.5 [1.24"]	15.5 [0.61"]	28.5 [1.12"]	23.5 [0.93"]	36.5 [1.44"]	7	-	-
21	20	37	1.1875"-18	38.0 [1.50"]	35.0 [1.38"]	16.5 [0.65"]	29.0 [1.14"]	25.5 [1.00"]	38.5 [1.52"]	9	11	-
23	22	N/A	1.3125"-18	41.0 [1.61"]	38.0 [1.50"]	17.0 [0.67"]	30.0 [1.18"]	27.0 [1.06"]	40.0 [1.57"]	10	13	-
25	24	N/A	1.4375"-18	46.0 [1.81"]	41.0 [1.61"]	18.0 [0.71"]	31.0 [1.22"]	28.5 [1.12"]	41.5 [1.63"]	12	17	-
61	N/A	61	1.5000"-18	42.0 [1.65"]	41.0 [1.61"]	18.0 [0.71"]	31.0 [1.22"]	31.0 [1.22"]	41.5 [1.63"]	12	17	18

## PART NUMBERING

**HEX54-AC-00-21-A9-1-DS**

SERIES \_\_\_\_\_

CONNECTOR INTERFACE \_\_\_\_\_

MATERIAL \_\_\_\_\_  
 A - ALUMINIUM ALLOY

FINISH \_\_\_\_\_  
 C - ELECTROLESS NICKEL TO MIL-C-26074  
 B - CADMIUM OLIVE DRAB OVER  
 ELECTROLESS NICKEL TO QQ-P416

BODY STYLE \_\_\_\_\_  
 00 = STRAIGHT  
 45 = 45°  
 90 = 90°

ORDER NUMBER \_\_\_\_\_

FERRULE QUANTITY CODE \_\_\_\_\_

BACK END OPTION \_\_\_\_\_  
 1 - PLAIN CLAMPING NUT

STAR STYLE \_\_\_\_\_  
 DS - DRILLED STAR (SEE NOTE 2)  
 OMIT FOR PLAIN STAR

DRAWN	K.KUTA-WINCZURA	DATE	28/07/2017
CHECKED		DATE	28/07/2017
APPROVED	K.SHEPPARD	DATE	30/07/2017
APPROVED	K.SHEPPARD	DATE	11/12/2017



3RD ANGLE PROJECTION  
NOT TO SCALE

UNLESS OTHERWISE SPECIFIED ALL DIMENSIONS IN MILLIMETRES  
**GENERAL TOL**  
 LINEAR +/-0.25MM  
 ANGULAR +/- 1°

### REVISIONS

LTR	DESCRIPTION	DATE	APPROVED
B	REVISED PER D060254	17/08/2006	
C	REVISED PER ECO-17-017923	11/12/2017	K.SHEPPARD

**TITLE:**

**HEXASHIELD BACKSHELL FOR CODE 54 CONNECTORS, PLAIN CLAMPING NUT**

**ASSY USED ON:**

SEE APPLICATION NOTE



**Polamco**



TE CONNECTIVITY - POLAMCO LTD RESERVES THE RIGHT TO AMEND THIS DRAWING AND THE INFORMATION SET FORTH HEREON AT ANY TIME. USERS SHOULD INDEPENDENTLY EVALUATE THE SUITABILITY OF THE PRODUCT FOR THEIR APPLICATION.

DRAWING NO:  
HEX54-AY-YY-YY-AYY-1-YY

DRG REV:  
C

SHT  
2

TE CAGE CODE: 06090  
POLAMCO/TE CAGE CODE: U5792

# SPECIFICATION CONTROL DRAWING

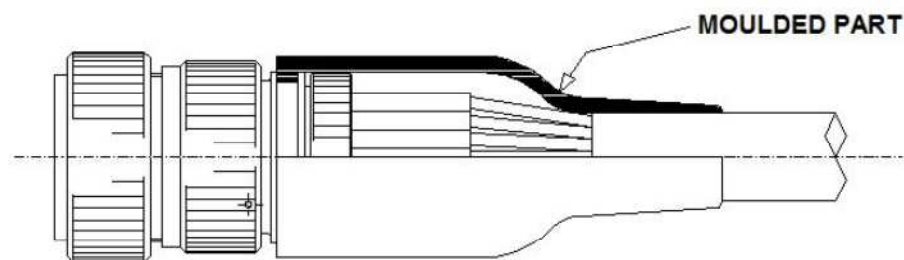
## APPLICATION:

- These adaptors are designed to be mounted on the following connectors:

MIL-C-26482 Series II	}	Shell Size Type A
MIL-C-83723 Series I and III		
MIL-C-5015		
HE312		

MIL-C-81703 Series III	}	Shell Size Type B
HE312		
DBAD		

- They are qualified to the Raychem specification RB-114, when installed on metallic Mil-Specification circular connectors only.
- They are designed primarily for open wire bundle installation but are also designed to accept Raychem heat shrink moulded parts where strain relief is required - see illustration.



- Use in conjunction with the ferrules HET-A-0XX, which are purchased separately. Refer to HET-A-0XX S.C.D. for relevant selection details.

## INSTALLATION:

- See Installation Procedure RPIP-696-04.

## PACKAGING:

- All components are supplied in a plastic bag.

DRAWN	K.KUTA-WINCZURA	DATE	28/07/2017
CHECKED		DATE	28/07/2017
APPROVED	K.SHEPPARD	DATE	30/07/2017
APPROVED	K.SHEPPARD	DATE	11/12/2017



3RD ANGLE  
PROJECTION  
NOT TO  
SCALE

UNLESS OTHERWISE SPECIFIED  
ALL DIMENSIONS IN MILLIMETRES  
**GENERAL TOL**  
LINEAR +/-0.25MM  
ANGULAR +/- 1°

### REVISIONS

LTR	DESCRIPTION	DATE	APPROVED
B	REVISED PER D060254	17/08/2006	
C	REVISED PER ECO-17-017923	11/12/2017	K.SHEPPARD

### TITLE:

**HEXASHIELD BACKSHELL FOR CODE 54  
CONNECTORS, PLAIN CLAMPLING NUT**

### ASSY USED ON:

SEE APPLICATION NOTE



Polamco



TE CONNECTIVITY - POLAMCO LTD RESERVES THE RIGHT TO AMEND THIS DRAWING AND THE INFORMATION SET FORTH HEREON AT ANY TIME. USERS SHOULD INDEPENDENTLY EVALUATE THE SUITABILITY OF THE PRODUCT FOR THEIR APPLICATION.

DRAWING NO:  
HEX54-AY-YY-YY-AYY-1-YY

DRG REV:  
C

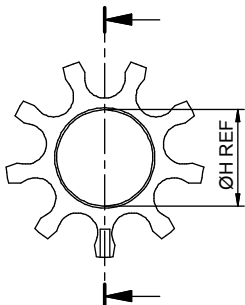
SHT  
3

TE CAGE CODE: 06090  
POLAMCO/TE CAGE CODE: U5792

# SPECIFICATION CONTROL DRAWING

## NOTES!

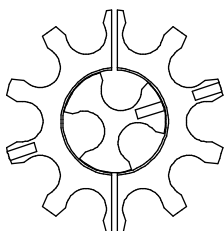
- Item 4 - Star - is **not** supplied with Hexashield Order Number 09.
- The DS option, illustrated below, is for a Drilled Star, which is available on sizes 15 to 61 when the standard ferrule quantity is selected, and sizes 25 and 61 when the optional ferrule quantity is selected. This option is to allow unshielded wires to pass through the assembly.



STAR SIZE	15	17	19	21	23	25 (Std.)	25 (Opt.1)	61 (Std.)	61 (Opt.1)	61 (Opt.2)
ØH REF	3.0 [0.12"]	6.0 [0.24"]	9.0 [0.35"]	12.0 [0.47"]	15.0 [0.59"]	18.0 [0.71"]	3.0 [0.12"]	18.0 [0.71"]	3.0 [0.12"]	6.0 [0.24"]

- Where the ferrule quantities required are standard, the item 4 - Star - is also standard. If the optional quantity is selected, then 2 items 4 will be supplied - one "split" and the other one standard. See below for illustration.

"SPLIT" STAR



EXAMPLE: FERRULE QUANTITY CODE -A13  
 -A13 = -A10 SPLIT RING STAR + -A3 STANDARD STAR

- Assembly is to be permanently marked with Code Identity Number and Part Number. (e.g. 06090 HEX54-AB-00-21-A9-1)

DRAWN	K.KUTA-WINCZURA	DATE	28/07/2017
CHECKED		DATE	28/07/2017
APPROVED	K.SHEPPARD	DATE	30/07/2017
APPROVED	K.SHEPPARD	DATE	11/12/2017



3RD ANGLE  
PROJECTION  
NOT TO  
SCALE

UNLESS OTHERWISE SPECIFIED  
ALL DIMENSIONS IN MILLIMETRES  
**GENERAL TOL**  
LINEAR +/-0.25MM  
ANGULAR +/- 1°

**REVISIONS**

LTR	DESCRIPTION	DATE	APPROVED
B	REVISED PER D060254	17/08/2006	
C	REVISED PER ECO-17-017923	11/12/2017	K.SHEPPARD

TE CAGE CODE: 06090  
POLAMCO/TE CAGE CODE: U5792

**TITLE:**

**HEXASHIELD BACKSHELL FOR CODE 54  
CONNECTORS, PLAIN CLAMPLING NUT**

**ASSY USED ON:**

SEE APPLICATION NOTE



Polamco



TE CONNECTIVITY - POLAMCO LTD RESERVES THE RIGHT TO AMEND THIS DRAWING AND THE INFORMATION SET FORTH HEREON AT ANY TIME. USERS SHOULD INDEPENDENTLY EVALUATE THE SUITABILITY OF THE PRODUCT FOR THEIR APPLICATION.

DRAWING NO:  
HEX54-AY-YY-YY-AYY-1-YY

DRG REV:  
C

SHT  
4

Компания «Океан Электроники» предлагает заключение долгосрочных отношений при поставках импортных электронных компонентов на взаимовыгодных условиях!

Наши преимущества:

- Поставка оригинальных импортных электронных компонентов напрямую с производств Америки, Европы и Азии, а так же с крупнейших складов мира;
- Широкая линейка поставок активных и пассивных импортных электронных компонентов (более 30 млн. наименований);
- Поставка сложных, дефицитных, либо снятых с производства позиций;
- Оперативные сроки поставки под заказ (от 5 рабочих дней);
- Экспресс доставка в любую точку России;
- Помощь Конструкторского Отдела и консультации квалифицированных инженеров;
- Техническая поддержка проекта, помощь в подборе аналогов, поставка прототипов;
- Поставка электронных компонентов под контролем ВП;
- Система менеджмента качества сертифицирована по Международному стандарту ISO 9001;
- При необходимости вся продукция военного и аэрокосмического назначения проходит испытания и сертификацию в лаборатории (по согласованию с заказчиком);
- Поставка специализированных компонентов военного и аэрокосмического уровня качества (Xilinx, Altera, Analog Devices, Intersil, Interpoint, Microsemi, Actel, Aeroflex, Peregrine, VPT, Syfer, Eurofarad, Texas Instruments, MS Kennedy, Miteq, Cobham, E2V, MA-COM, Hittite, Mini-Circuits, General Dynamics и др.);

Компания «Океан Электроники» является официальным дистрибьютором и эксклюзивным представителем в России одного из крупнейших производителей разъемов военного и аэрокосмического назначения «JONHON», а так же официальным дистрибьютором и эксклюзивным представителем в России производителя высокотехнологичных и надежных решений для передачи СВЧ сигналов «FORSTAR».



## JONHON

«JONHON» (основан в 1970 г.)

Разъемы специального, военного и аэрокосмического назначения:

(Применяются в военной, авиационной, аэрокосмической, морской, железнодорожной, горно- и нефтедобывающей отраслях промышленности)

«FORSTAR» (основан в 1998 г.)

ВЧ соединители, коаксиальные кабели, кабельные сборки и микроволновые компоненты:

(Применяются в телекоммуникациях гражданского и специального назначения, в средствах связи, РЛС, а так же военной, авиационной и аэрокосмической отраслях промышленности).



Телефон: 8 (812) 309-75-97 (многоканальный)

Факс: 8 (812) 320-03-32

Электронная почта: [ocean@oceanchips.ru](mailto:ocean@oceanchips.ru)

Web: <http://oceanchips.ru/>

Адрес: 198099, г. Санкт-Петербург, ул. Калинина, д. 2, корп. 4, лит. А