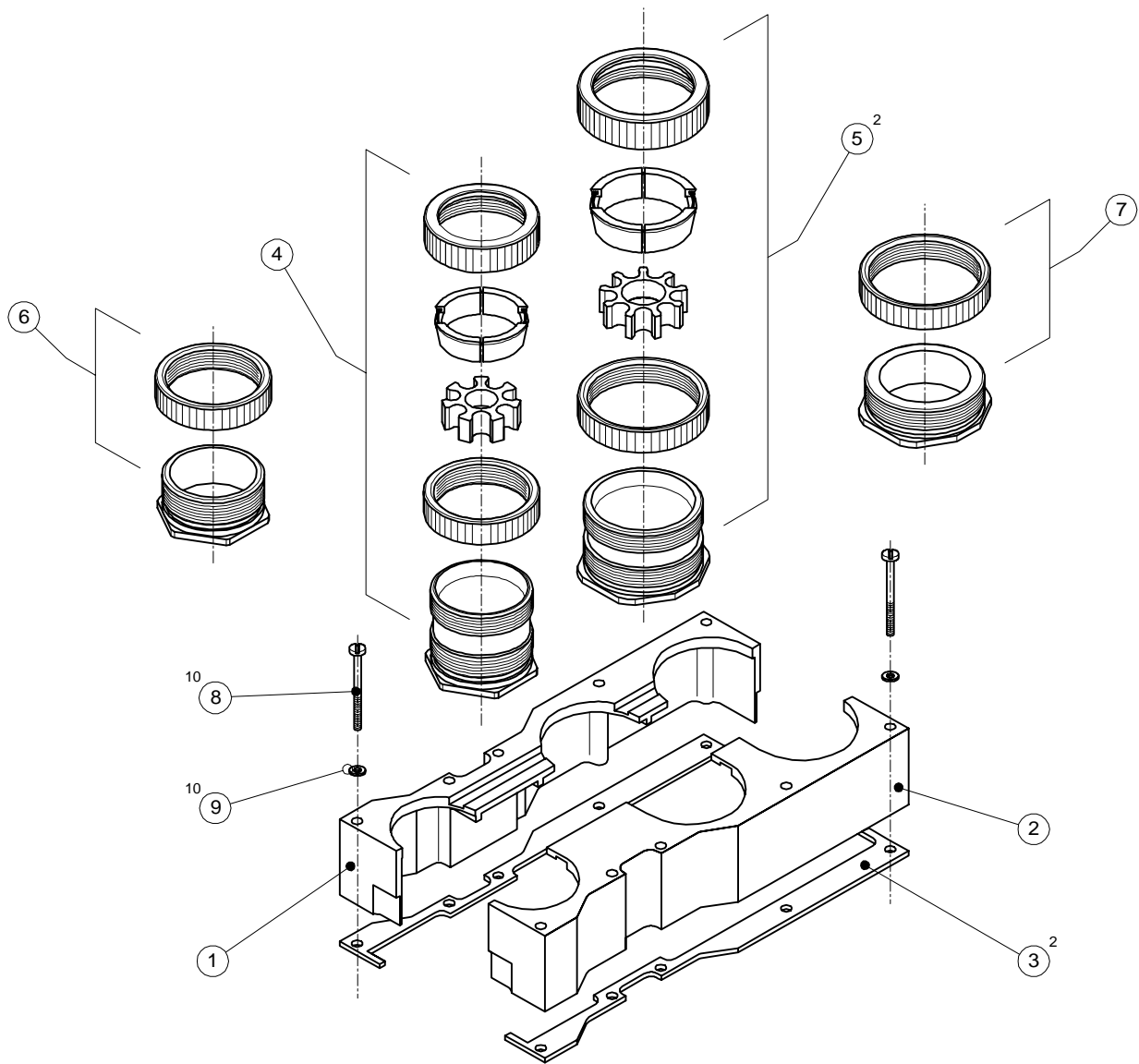


SPECIFICATION CONTROL DRAWING

REV: B	DCR # D060261	DATE: AUG 17, 2006
------------------	------------------	-----------------------



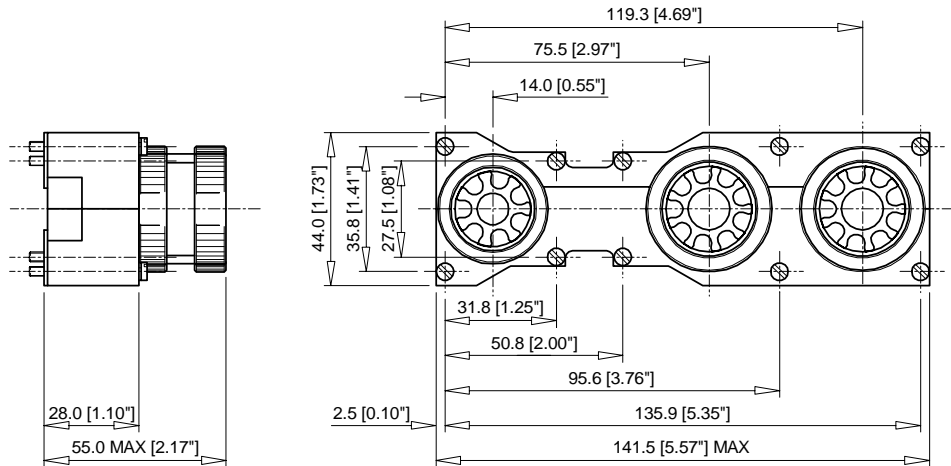
© 2006 Tyco Electronics Corporation. All rights reserved.

<p><i>Wire and Harnessing Products</i></p>		Tyco Electronics 300 Constitution Drive Menlo Park, CA 94025 USA	TITLE: HEXASHIELD ADAPTOR FOR ARINC 600 CONNECTOR-SIZE 2-SHELL CAVITIES A, B AND C-PLAIN CLAMPING NUT
UNLESS OTHERWISE SPECIFIED DIMENSIONS ARE IN MILLIMETERS. INCH DIMENSIONS ARE SHOWN IN BRACKETS		This drawing and the information set forth hereon is the property of Tyco Electronics and is to be held in trust and confidence. Publication, duplication, disclosure or use for any other purpose not expressly authorized in writing by Tyco Electronics is prohibited.	DOCUMENT NO. HEXA6-AY-00-02-AYY-1-YY
DRAWN: IRT	DATE: FEB 01	Tyco Electronics reserves the right to amend this drawing at any time. Users should evaluate the suitability of the product for their application.	FILE: D060261
		SCALE: NONE	SHEET: 1 OF 4

If this document is printed it becomes uncontrolled. Check for the latest revision.

SPECIFICATION CONTROL DRAWING

REV: B	DCR # D060261	DATE: AUG 17, 2006
------------------	------------------	-----------------------



KIT DESCRIPTION

ITEM	QTY	DESCRIPTION	MATERIAL
1	1	LEFT SIDE SUPPORT	ALUMINIUM ALLOY
2	1	RIGHT SIDE SUPPORT	ALUMINIUM ALLOY
3	2	RETENTION BAR	ALUMINIUM ALLOY
4	1	BODY ASSEMBLY – A7	
		BODY – A7	ALUMINIUM ALLOY
		HOLDING NUT – A7	ALUMINIUM ALLOY
		STAR – A7	ALUMINIUM ALLOY
		CONIC RING – A7	ALUMINIUM ALLOY
		BACK NUT – A7	ALUMINIUM ALLOY
5	2	BODY ASSEMBLY – A9	
		BODY – A9	ALUMINIUM ALLOY
		HOLDING NUT – A9	ALUMINIUM ALLOY
		STAR – A9 OR A11 *	ALUMINIUM ALLOY
		CONIC RING – A9	ALUMINIUM ALLOY
		BACK NUT – A9	ALUMINIUM ALLOY
6	1	CAVITY C PLUG ASSEMBLY *	
		PLUG	ALUMINIUM ALLOY
		HOLDING NUT – A7	ALUMINIUM ALLOY
7	1 or 2	CAVITY A PLUG ASSEMBLY *	
		PLUG	ALUMINIUM ALLOY
		HOLDING NUT – A9	ALUMINIUM ALLOY
8	10	PAN HEAD SCREW - 4-40 UNC x 1.25" LONG	STAINLESS STEEL - PASSIVATED
9	10	SPRING WASHER	STAINLESS STEEL - PASSIVATED

* SEE NOTES

<p style="font-size: small;">Wire and Harnessing Products</p>		Tyco Electronics 300 Constitution Drive Menlo Park, CA 94025 USA	TITLE: HEXASHIELD ADAPTOR FOR ARINC 600 CONNECTOR-SIZE 2-SHELL CAVITIES A, B AND C-PLAIN CLAMPING NUT			
UNLESS OTHERWISE SPECIFIED DIMENSIONS ARE IN MILLIMETERS. INCH DIMENSIONS ARE SHOWN IN BRACKETS		This drawing and the information set forth hereon is the property of Tyco Electronics and is to be held in trust and confidence. Publication, duplication, disclosure or use for any other purpose not expressly authorized in writing by Tyco Electronics is prohibited.		DOCUMENT NO. HEXA6-AY-00-02-AYY-1-YY		
DRAWN: IRT	DATE: FEB 01	Tyco Electronics reserves the right to amend this drawing at any time. Users should evaluate the suitability of the product for their application.		FILE: D060261	SCALE: NONE	SHEET: 2 OF 4

If this document is printed it becomes uncontrolled. Check for the latest revision.

SPECIFICATION CONTROL DRAWING

REV: B	DCR # D060261	DATE: AUG 17, 2006
------------------	------------------	-----------------------

ORDER INFORMATION – BASIC ASSEMBLY

Ferrule Quantity Code	Shell Cavity											
	A			B			C					
	Ferrule Quantity		Drilled Star	Cavity Plug	Ferrule Quantity		Drilled Star	Cavity Plug	Ferrule Quantity		Drilled Star	Cavity Plug
Std	Opt	Std			Opt	Std			Opt			
A25	9		3	5	9		3	5	7		3	5
A27		11	5	5	9		3	5	7		3	5
A29		11	5	5		11	5	5	7		3	5

ORDER INFORMATION – ASSEMBLY WITH CAVITY PLUG(S)

errule Quantity Code	Shell Cavity											
	A			B			C					
	Ferrule Quantity		Drilled Star	Cavity Plug	Ferrule Quantity		Drilled Star	Cavity Plug	Ferrule Quantity		Drilled Star	Cavity Plug
Std	Opt	Std			Opt	Std			Opt			
A7				3				3	7		3	5
A9	9		3	5				3				3
A11		11	5	5				3				3
A16	9		3	5				3	7		3	5
A18AB	9		3	5	9		3	5				3
A18AC		11	5	5				3	7		3	5
A20		11	5	5	9		3	5				3
A22		11	5	5		11	5	5				3

PART NUMBERING

HEXA6 – A B – 00 – 02 – A25 – 1 – DS

- CONNECTOR CODE NUMBER _____
- HEXA6 = ARINC 600 CONNECTOR
- MATERIAL CODE: _____
- A = ALUMINIUM ALLOY
- PLATING CODE: _____
- B = CADMIUM OLIVE DRAB TO QQ-P416
- C = ELECTROLESS NICKEL TO MIL-C-26074
- OUTLET STYLE _____
- 00 = STRAIGHT
- ORDER NUMBER _____
- 02 = SIZE 2 (CAVITIES A, B AND C)
- FERRULE QUANTITY CODE - SEE ORDER INFORMATION TABLES _____
- 1 = PLAIN CLAMPING NUT _____
- DS = DRILLED STAR - OPTIONAL - SEE NOTE 1 _____

APPLICATION

- The adaptor is designed to be mounted on the following connectors:

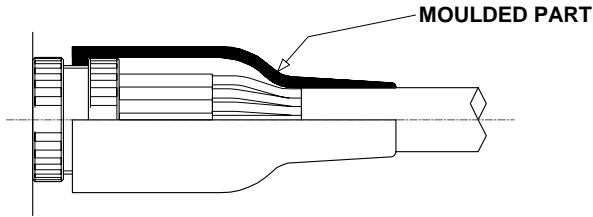
<p style="margin: 0;"><i>Wire and Harnessing Products</i></p>	<p style="margin: 0;">Tyco Electronics 300 Constitution Drive Menlo Park, CA 94025 USA</p>	<p style="margin: 0;">TITLE: HEXASHIELD ADAPTOR FOR ARINC 600 CONNECTOR-SIZE 2-SHELL CAVITIES A, B AND C-PLAIN CLAMPING NUT</p>					
<p>UNLESS OTHERWISE SPECIFIED DIMENSIONS ARE IN MILLIMETERS. INCH DIMENSIONS ARE SHOWN IN BRACKETS</p>	<p>This drawing and the information set forth hereon is the property of Tyco Electronics and is to be held in trust and confidence. Publication, duplication, disclosure or use for any other purpose not expressly authorized in writing by Tyco Electronics is prohibited.</p>	<p>DOCUMENT NO. HEXA6-AY-00-02-AYY-1-YY</p>					
<table border="0" style="width: 100%;"> <tr> <td style="width: 50%;">DRAWN: IRT</td> <td style="width: 50%;">DATE: FEB 01</td> </tr> </table>	DRAWN: IRT	DATE: FEB 01	<p>Tyco Electronics reserves the right to amend this drawing at any time. Users should evaluate the suitability of the product for their application.</p>	<table border="0" style="width: 100%;"> <tr> <td style="width: 33%;">FILE: D060261</td> <td style="width: 33%;">SCALE: NONE</td> <td style="width: 33%;">SHEET: 3 OF 4</td> </tr> </table>	FILE: D060261	SCALE: NONE	SHEET: 3 OF 4
DRAWN: IRT	DATE: FEB 01						
FILE: D060261	SCALE: NONE	SHEET: 3 OF 4					

SPECIFICATION CONTROL DRAWING

REV: B	DCR # D060261	DATE: AUG 17, 2006
------------------	------------------	-----------------------

ARINC 600 SIZE 2 Manufactured by AMP, ITT Cannon and Radiall.

- It is qualified to the Raychem specification RB-110.
- The adaptor is principally designed for open wire bundle installation but can accept Raychem heat shrink moulded parts over a jacketed cable where strain relief is required – see illustration.



- Use in conjunction with the ferrules HET-A-0XX, which are purchased separately. Refer to HET-A-0XX S.C.D. for relevant selection details.

INSTALLATION

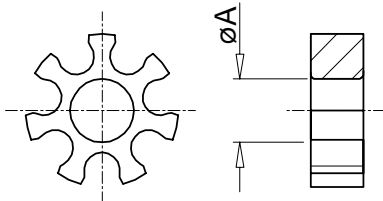
- See Installation Procedure RPIP-696-01.

PACKAGING

- All components are supplied in a plastic bag and all bags are packaged in a box.

NOTES!

1. The Drilled Star option referred to in the Ordering Information and illustrated below, allows unshielded wires to pass through the assembly. When -DS is ordered, **all** stars that allow this modification will be supplied. This option is **not** available with the Star that holds 11 ferrules.

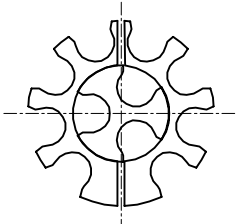


FERRULE QTY	A7	A9
ØA MAX	9.0 [0.35"]	12.0 [0.47"]

2. Where the ferrule quantities required are standard, the Stars on Body Assemblies items 4 and 5 - are also standard. If the optional quantity is selected then 2 Stars from Body Assembly 5 will be supplied - one "split" and the other one standard. See below for illustration.

EXAMPLE: FERRULE QUANTITY CODE -A11

-A11 = -A8 SPLIT STAR + -A3 STANDARD STAR



3. The Cavity Plug Assemblies will be supplied in place of Body Assemblies according to the Ferrule Quantity Code ordered. Items 7 can be positioned at either Cavity A or B.

4. Assembly is to be permanently marked with Code Identity Number and Part Number.
(e.g. 06090 HEXA6-AB-00-02-A25-1)

<p>tyco / Electronics Wire and Harnessing Products</p>		<p>Tyco Electronics 300 Constitution Drive Menlo Park, CA 94025 USA</p>	<p>TITLE: HEXASHIELD ADAPTOR FOR ARINC 600 CONNECTOR-SIZE 2-SHELL CAVITIES A, B AND C-PLAIN CLAMPING NUT</p>	
<p>UNLESS OTHERWISE SPECIFIED DIMENSIONS ARE IN MILLIMETERS. INCH DIMENSIONS ARE SHOWN IN BRACKETS</p>		<p>This drawing and the information set forth hereon is the property of Tyco Electronics and is to be held in trust and confidence. Publication, duplication, disclosure or use for any other purpose not expressly authorized in writing by Tyco Electronics is prohibited.</p>		
DRAWN: IRT	DATE: FEB 01	DOCUMENT NO. HEXA6-AY-00-02-AYY-1-YY		
Tyco Electronics reserves the right to amend this drawing at any time. Users should evaluate the suitability of the product for their application.		FILE: D060261	SCALE: NONE	SHEET: 4 OF 4

Компания «Океан Электроники» предлагает заключение долгосрочных отношений при поставках импортных электронных компонентов на взаимовыгодных условиях!

Наши преимущества:

- Поставка оригинальных импортных электронных компонентов напрямую с производств Америки, Европы и Азии, а так же с крупнейших складов мира;
- Широкая линейка поставок активных и пассивных импортных электронных компонентов (более 30 млн. наименований);
- Поставка сложных, дефицитных, либо снятых с производства позиций;
- Оперативные сроки поставки под заказ (от 5 рабочих дней);
- Экспресс доставка в любую точку России;
- Помощь Конструкторского Отдела и консультации квалифицированных инженеров;
- Техническая поддержка проекта, помощь в подборе аналогов, поставка прототипов;
- Поставка электронных компонентов под контролем ВП;
- Система менеджмента качества сертифицирована по Международному стандарту ISO 9001;
- При необходимости вся продукция военного и аэрокосмического назначения проходит испытания и сертификацию в лаборатории (по согласованию с заказчиком);
- Поставка специализированных компонентов военного и аэрокосмического уровня качества (Xilinx, Altera, Analog Devices, Intersil, Interpoint, Microsemi, Actel, Aeroflex, Peregrine, VPT, Syfer, Eurofarad, Texas Instruments, MS Kennedy, Miteq, Cobham, E2V, MA-COM, Hittite, Mini-Circuits, General Dynamics и др.);

Компания «Океан Электроники» является официальным дистрибьютором и эксклюзивным представителем в России одного из крупнейших производителей разъемов военного и аэрокосмического назначения «**JONHON**», а так же официальным дистрибьютором и эксклюзивным представителем в России производителя высокотехнологичных и надежных решений для передачи СВЧ сигналов «**FORSTAR**».



JONHON

«**JONHON**» (основан в 1970 г.)

Разъемы специального, военного и аэрокосмического назначения:

(Применяются в военной, авиационной, аэрокосмической, морской, железнодорожной, горно- и нефтедобывающей отраслях промышленности)

«**FORSTAR**» (основан в 1998 г.)

ВЧ соединители, коаксиальные кабели, кабельные сборки и микроволновые компоненты:

(Применяются в телекоммуникациях гражданского и специального назначения, в средствах связи, РЛС, а так же военной, авиационной и аэрокосмической отраслях промышленности).



Телефон: 8 (812) 309-75-97 (многоканальный)

Факс: 8 (812) 320-03-32

Электронная почта: ocean@oceanchips.ru

Web: <http://oceanchips.ru/>

Адрес: 198099, г. Санкт-Петербург, ул. Калинина, д. 2, корп. 4, лит. А