



PCF8576C

Universal LCD driver for low multiplex rates

Rev. 13 — 16 December 2013

Product data sheet

1. General description

The PCF8576C is a peripheral device which interfaces to almost any Liquid Crystal Display (LCD)¹ with low multiplex rates. It generates the drive signals for any static or multiplexed LCD containing up to four backplanes and up to 40 segments and can easily be cascaded for larger LCD applications. The PCF8576C is compatible with most microcontrollers and communicates via the two-line bidirectional I²C-bus. Communication overheads are minimized by a display RAM with auto-incremented addressing and by hardware subaddressing.

For a selection of NXP LCD segment drivers, see [Table 24 on page 52](#).

2. Features and benefits

- Single-chip LCD controller and driver
- 40 segment drives:
 - ◆ Up to twenty 7-segment alphanumeric characters
 - ◆ Up to ten 14-segment alphanumeric characters
 - ◆ Any graphics of up to 160 elements
- Versatile blinking modes
- No external components required (even in multiple device applications)
- Selectable backplane drive configuration: static, 2, 3, or 4 backplane multiplexing
- Selectable display bias configuration: static, 1/2, or 1/3
- Internal LCD bias generation with voltage-follower buffers
- 40 × 4-bit RAM for display data storage
- Auto-incremented display data loading across device subaddress boundaries
- Display memory bank switching in static and duplex drive modes
- Wide logic LCD supply range:
 - ◆ From 2 V for low-threshold LCDs
 - ◆ Up to 6 V for high-threshold twisted nematic LCDs
- Low power consumption
- May be cascaded for large LCD applications (up to 2560 elements possible)
- No external components required
- Separate or combined LCD and logic supplies
- Optimized pinning for plane wiring in both single and multiple PCF8576C applications
- Power-saving mode for extremely low power consumption in battery-operated and telephone applications

1. The definition of the abbreviations and acronyms used in this data sheet can be found in [Section 20](#).



3. Ordering information

Table 1. Ordering information

| Type number | Package | | |
|----------------|----------|--|-------------|
| | Name | Description | Version |
| PCF8576CHL/1 | LQFP64 | plastic low profile quad flat package; 64 leads; body 10 × 10 × 1.4 mm | SOT314-2 |
| PCF8576CT/1 | VSO56 | plastic very small outline package, 56 leads | SOT190-1 |
| PCF8576CU/2/F2 | bare die | bare die; 56 bumps; 3.2 × 2.92 × 0.40 mm | PCF8576CU/2 |
| PCF8576CU/F1 | bare die | wire bond die; 56 bonding pads; 3.2 × 2.92 × 0.38 mm | PCF8576CU |

3.1 Ordering options

Table 2. Ordering options

| Product type number | Sales item (12NC) | Orderable part number | IC revision | Delivery form |
|---------------------|-------------------|-----------------------|-------------|----------------------------------|
| PCF8576CHL/1 | 935290305118 | PCF8576CHL/1,118 | 1 | tape and reel, 13 inch |
| | 935290305157 | PCF8576CHL/1,157 | 1 | tray pack |
| PCF8576CT/1 | 935278818518 | PCF8576CT/1,518 | 1 | tape and reel, 13 inch, dry pack |
| PCF8576CU/2/F2 | 935261851026 | PCF8576CU/2/F2,026 | 1 | chips in tray |
| PCF8576CU/F1 | 935208600026 | PCF8576CU/F1,026 | 1 | chips in tray |

4. Marking

Table 3. Marking codes

| Product type number | Marking code |
|---------------------|--------------|
| PCF8576CHL/1 | PCF8576CHL |
| PCF8576CT/1 | PCF8576CT |
| PCF8576CU/2/F2 | PC8576C-2 |
| PCF8576CU/F1 | PC8576C-1 |

5. Block diagram

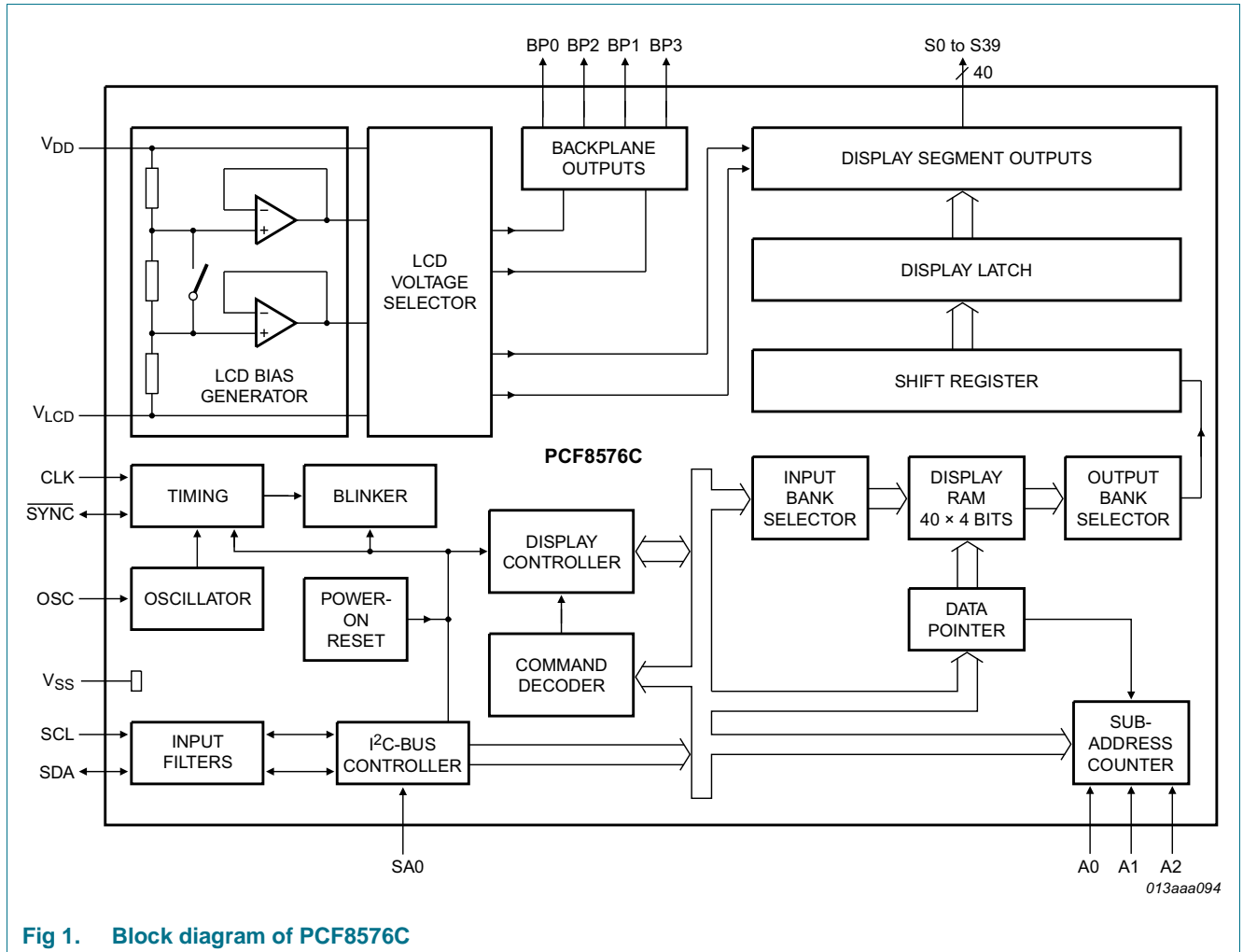
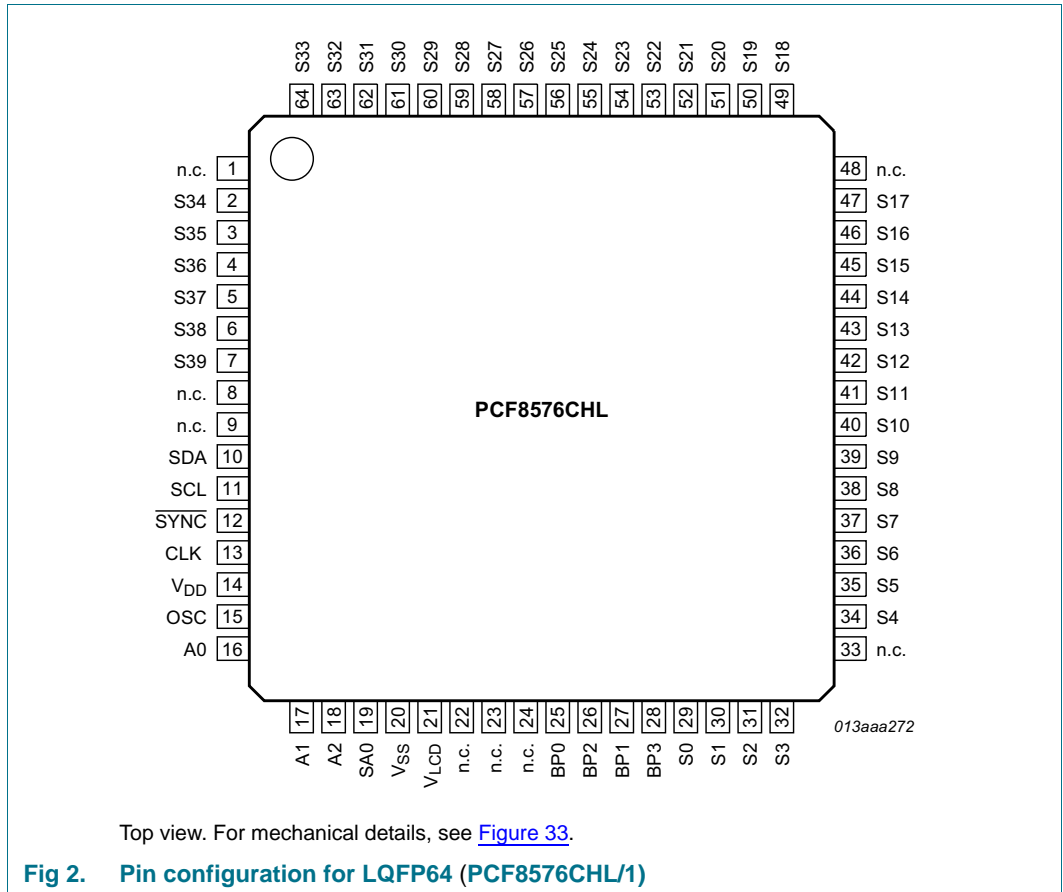


Fig 1. Block diagram of PCF8576C

6. Pinning information

6.1 Pinning







6.2 Pin description

Table 4. Pin description

Input or input/output pins must always be at a defined level (V_{SS} or V_{DD}) unless otherwise specified.

| Symbol | Pin | | | | Description |
|-----------------------|---|----------------------|------------------|--------------|--|
| | LQFP64 (PCF8576CHL) | VSO56 (PCF8576CT) | PCF8576CU | Type | |
| SDA | 10 | 1 | 1 | input/output | I ² C-bus serial data input and output |
| SCL | 11 | 2 | 2 | input | I ² C-bus serial clock input |
| SYNC | 12 | 3 | 3 | input/output | cascade synchronization input and output |
| CLK | 13 | 4 | 4 | input/output | external clock input/output |
| V_{DD} | 14 | 5 | 5 ^[1] | supply | supply voltage |
| OSC | 15 | 6 | 6 | input | internal oscillator enable input |
| A0 to A2 | 16 to 18 | 7 to 9 | 7 to 9 | input | subaddress inputs |
| SA0 | 19 | 10 | 10 | input | I ² C-bus address input; bit 0 |
| V_{SS} | 20 | 11 | 11 | supply | ground supply voltage |
| V_{LCD} | 21 | 12 | 12 | supply | LCD supply voltage |
| BP0, BP2, BP1, BP3 | 25 to 28 | 13 to 16 | 13 to 16 | output | LCD backplane outputs |
| S0 to S39 | 2 to 7, 29 to 32, 34 to 47, 49 to 64 | 17 to 56 | 17 to 56 | output | LCD segment outputs |
| n.c. | 1, 8, 9, 22 to 24, 33, 48 | - | - | - | not connected; do not connect and do not use as feed through |

[1] The substrate (rear side of the die) is connected to V_{DD} and should be electrically isolated.

7. Functional description

The PCF8576C is a versatile peripheral device designed to interface between any microcontroller to a wide variety of LCD segment or dot matrix displays (see [Figure 5](#)). It can directly drive any static or multiplexed LCD containing up to four backplanes and up to 40 segments.



Fig 5. Example of displays suitable for PCF8576C

The possible display configurations of the PCF8576C depend on the number of active backplane outputs required. A selection of display configurations is shown in [Table 5](#). All of these configurations can be implemented in the typical system shown in [Figure 6](#).

Table 5. Selection of possible display configurations

| Number of Backplanes | Icons | Digits/Characters | | Dot matrix/Elements |
|----------------------|-------|-------------------|------------|---------------------|
| | | 7-segment | 14-segment | |
| 4 | 160 | 20 | 10 | 160 dots (4 × 40) |
| 3 | 120 | 15 | 7 | 120 dots (3 × 40) |
| 2 | 80 | 10 | 5 | 80 dots (2 × 40) |
| 1 | 40 | 5 | 2 | 40 dots (1 × 40) |

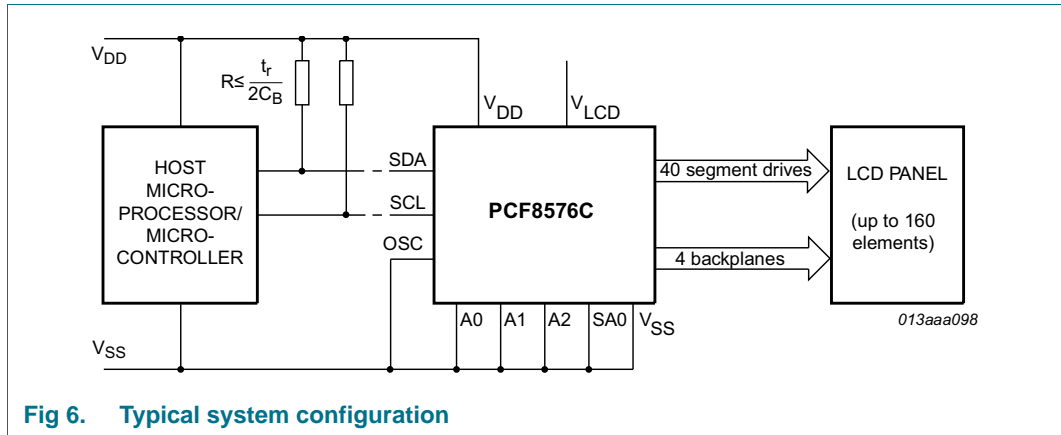


Fig 6. Typical system configuration

The host microprocessor or microcontroller maintains the 2-line I²C-bus communication channel with the PCF8576C.

Biasing voltages for the multiplexed LCD waveforms are generated internally, removing the need for an external bias generator. The internal oscillator is selected by connecting pin OSC to V_{SS}. The only other connections required to complete the system are the power supplies (pins V_{DD}, V_{SS}, and V_{LCD}) and the LCD panel selected for the application.

7.1 Power-On-Reset (POR)

At power-on the PCF8576C resets to the following starting conditions:

- All backplane and segment outputs are set to V_{DD}
- The selected drive mode is 1:4 multiplex with 1/3 bias
- Blinking is switched off
- Input and output bank selectors are reset
- The I²C-bus interface is initialized
- The data pointer and the subaddress counter are cleared

Remark: Do not transfer data on the I²C-bus for at least 1 ms after a power-on to allow the reset action to complete.

7.2 LCD bias generator

The full-scale LCD voltage (V_{oper}) is obtained from V_{DD} – V_{LCD}. The LCD voltage may be temperature compensated externally through the V_{LCD} supply to pin V_{LCD}.

Fractional LCD biasing voltages are obtained from an internal voltage divider comprising three series resistors connected between V_{DD} and V_{LCD}. The center resistor can be switched out of the circuit to provide a 1/2 bias voltage level for the 1:2 multiplex configuration.

7.3 LCD voltage selector

The LCD voltage selector coordinates the multiplexing of the LCD in accordance with the selected LCD drive configuration. The operation of the voltage selector is controlled by the mode-set command from the command decoder. The biasing configurations that apply to the preferred modes of operation, together with the biasing characteristics as functions of V_{LCD} and the resulting discrimination ratios (D) are given in [Table 6](#).

Discrimination is a term which is defined as the ratio of the on and off RMS voltage across a segment. It can be thought of as a measurement of contrast.

Table 6. Biasing characteristics

| LCD drive mode | Number of: | | LCD bias configuration | $\frac{V_{off(RMS)}}{V_{LCD}}$ | $\frac{V_{on(RMS)}}{V_{LCD}}$ | $D = \frac{V_{on(RMS)}}{V_{off(RMS)}}$ |
|----------------|------------|--------|------------------------|--------------------------------|-------------------------------|--|
| | Backplanes | Levels | | | | |
| static | 1 | 2 | static | 0 | 1 | ∞ |
| 1:2 multiplex | 2 | 3 | $\frac{1}{2}$ | 0.354 | 0.791 | 2.236 |
| 1:2 multiplex | 2 | 4 | $\frac{1}{3}$ | 0.333 | 0.745 | 2.236 |
| 1:3 multiplex | 3 | 4 | $\frac{1}{3}$ | 0.333 | 0.638 | 1.915 |
| 1:4 multiplex | 4 | 4 | $\frac{1}{3}$ | 0.333 | 0.577 | 1.732 |

A practical value for V_{LCD} is determined by equating $V_{off(RMS)}$ with a defined LCD threshold voltage (V_{th}), typically when the LCD exhibits approximately 10 % contrast. In the static drive mode, a suitable choice is $V_{LCD} > 3V_{th}$.

Multiplex drive modes of 1:3 and 1:4 with $\frac{1}{2}$ bias are possible but the discrimination and hence the contrast ratios are smaller.

Bias is calculated by $\frac{1}{1+a}$, where the values for a are

a = 1 for $\frac{1}{2}$ bias

a = 2 for $\frac{1}{3}$ bias

The RMS on-state voltage ($V_{on(RMS)}$) for the LCD is calculated with [Equation 1](#):

$$V_{on(RMS)} = V_{LCD} \sqrt{\frac{a^2 + 2a + n}{n \times (1 + a)^2}} \tag{1}$$

where the values for n are

n = 1 for static drive mode

n = 2 for 1:2 multiplex drive mode

n = 3 for 1:3 multiplex drive mode

n = 4 for 1:4 multiplex drive mode

The RMS off-state voltage ($V_{off(RMS)}$) for the LCD is calculated with [Equation 2](#):

$$V_{off(RMS)} = V_{LCD} \sqrt{\frac{a^2 - 2a + n}{n \times (1 + a)^2}} \tag{2}$$

Discrimination is the ratio of $V_{on(RMS)}$ to $V_{off(RMS)}$ and is determined from [Equation 3](#):

$$D = \frac{V_{on(RMS)}}{V_{off(RMS)}} = \sqrt{\frac{(a+1)^2 + (n-1)}{(a-1)^2 + (n-1)}} \quad (3)$$

Using [Equation 3](#), the discrimination for an LCD drive mode of 1:3 multiplex with 1/2 bias is $\sqrt{3} = 1.732$ and the discrimination for an LCD drive mode of 1:4 multiplex with 1/2 bias is $\frac{\sqrt{21}}{3} = 1.528$.

The advantage of these LCD drive modes is a reduction of the LCD full scale voltage V_{LCD} as follows:

- 1:3 multiplex (1/2 bias): $V_{LCD} = \sqrt{6} \times V_{off(RMS)} = 2.449V_{off(RMS)}$
- 1:4 multiplex (1/2 bias): $V_{LCD} = \left[\frac{4 \times \sqrt{3}}{3} \right] = 2.309V_{off(RMS)}$

These compare with $V_{LCD} = 3V_{off(RMS)}$ when 1/3 bias is used.

V_{LCD} is sometimes referred as the LCD operating voltage.

7.3.1 Electro-optical performance

Suitable values for $V_{on(RMS)}$ and $V_{off(RMS)}$ are dependent on the LCD liquid used. The RMS voltage, at which a pixel will be switched on or off, determine the transmissibility of the pixel.

For any given liquid, there are two threshold values defined. One point is at 10 % relative transmission (at $V_{th(off)}$) and the other at 90 % relative transmission (at $V_{th(on)}$), see [Figure 7](#). For a good contrast performance, the following rules should be followed:

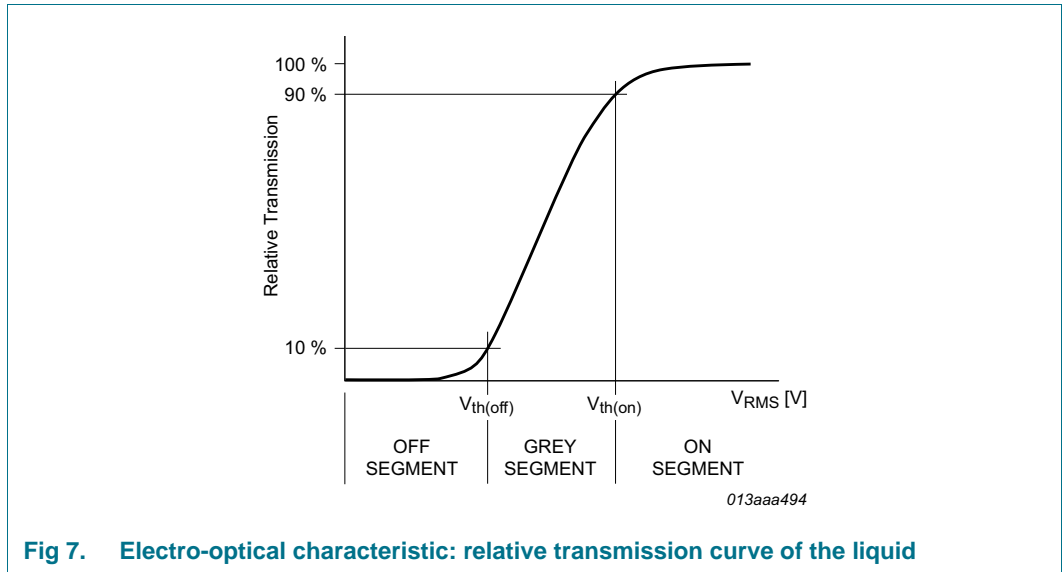
$$V_{on(RMS)} \geq V_{th(on)} \quad (4)$$

$$V_{off(RMS)} \leq V_{th(off)} \quad (5)$$

$V_{on(RMS)}$ and $V_{off(RMS)}$ are properties of the display driver and are affected by the selection of a (see [Equation 1](#)), n (see [Equation 3](#)), and the V_{LCD} voltage.

$V_{th(off)}$ and $V_{th(on)}$ are properties of the LCD liquid and can be provided by the module manufacturer. $V_{th(off)}$ is sometimes named V_{th} . $V_{th(on)}$ is sometimes named saturation voltage V_{sat} .

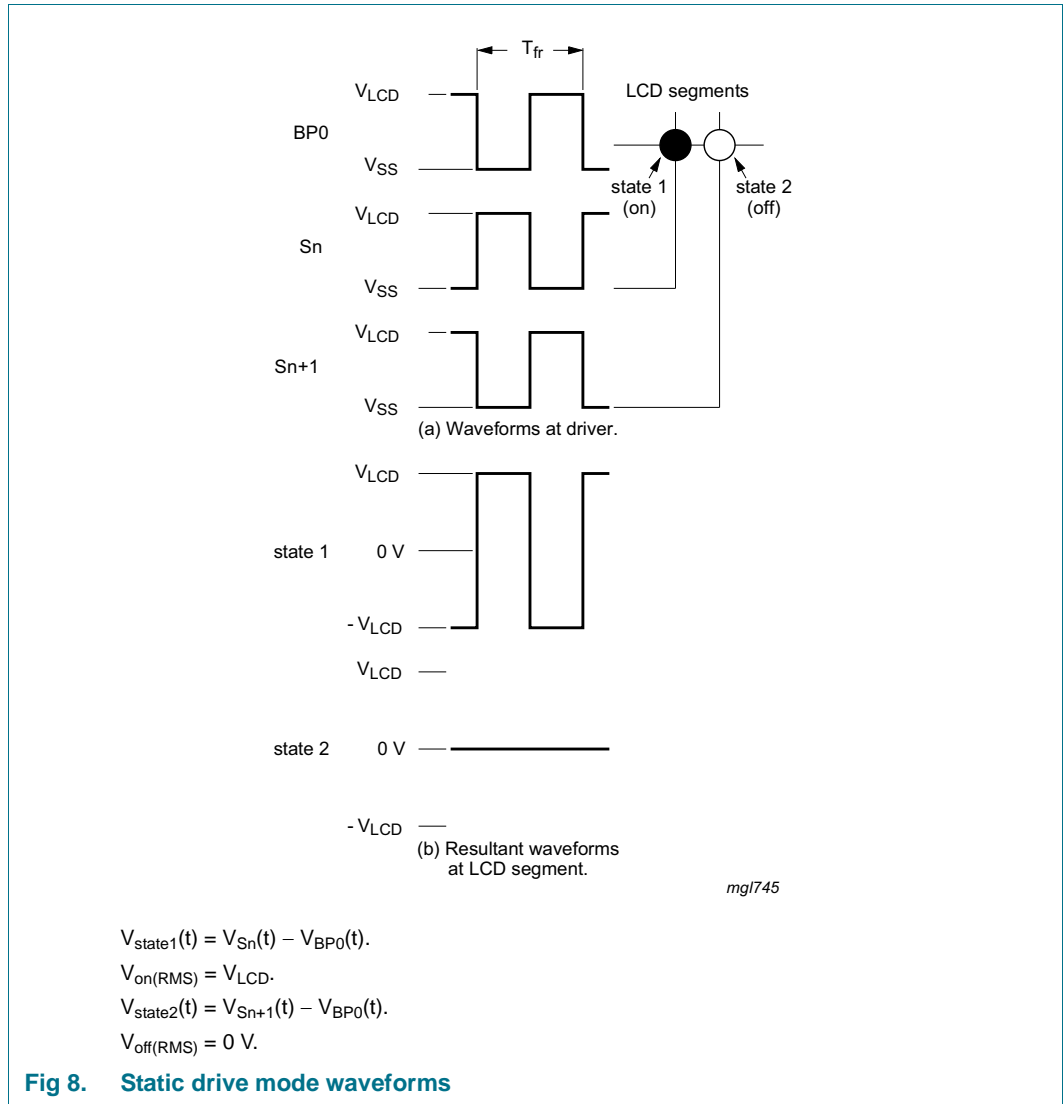
It is important to match the module properties to those of the driver in order to achieve optimum performance.



7.4 LCD drive mode waveforms

7.4.1 Static drive mode

The static LCD drive mode is used when a single backplane is provided in the LCD. Backplane and segment drive waveforms for this mode are shown in [Figure 8](#).



7.4.2 1:2 Multiplex drive mode

When two backplanes are provided in the LCD, the 1:2 multiplex mode applies. The PCF8576C allows the use of 1/2 bias or 1/3 bias (see Figure 9 and Figure 10).





Fig 10. Waveforms for the 1:2 multiplex drive mode with 1/3 bias

7.4.3 1:3 Multiplex drive mode

When three backplanes are provided in the LCD, the 1:3 multiplex drive mode applies as shown in Figure 11.



Fig 11. Waveforms for the 1:3 multiplex drive mode with 1/3 bias

7.4.4 1:4 multiplex drive mode

When four backplanes are provided in the LCD, the 1:4 multiplex drive mode applies, as shown in Figure 12.

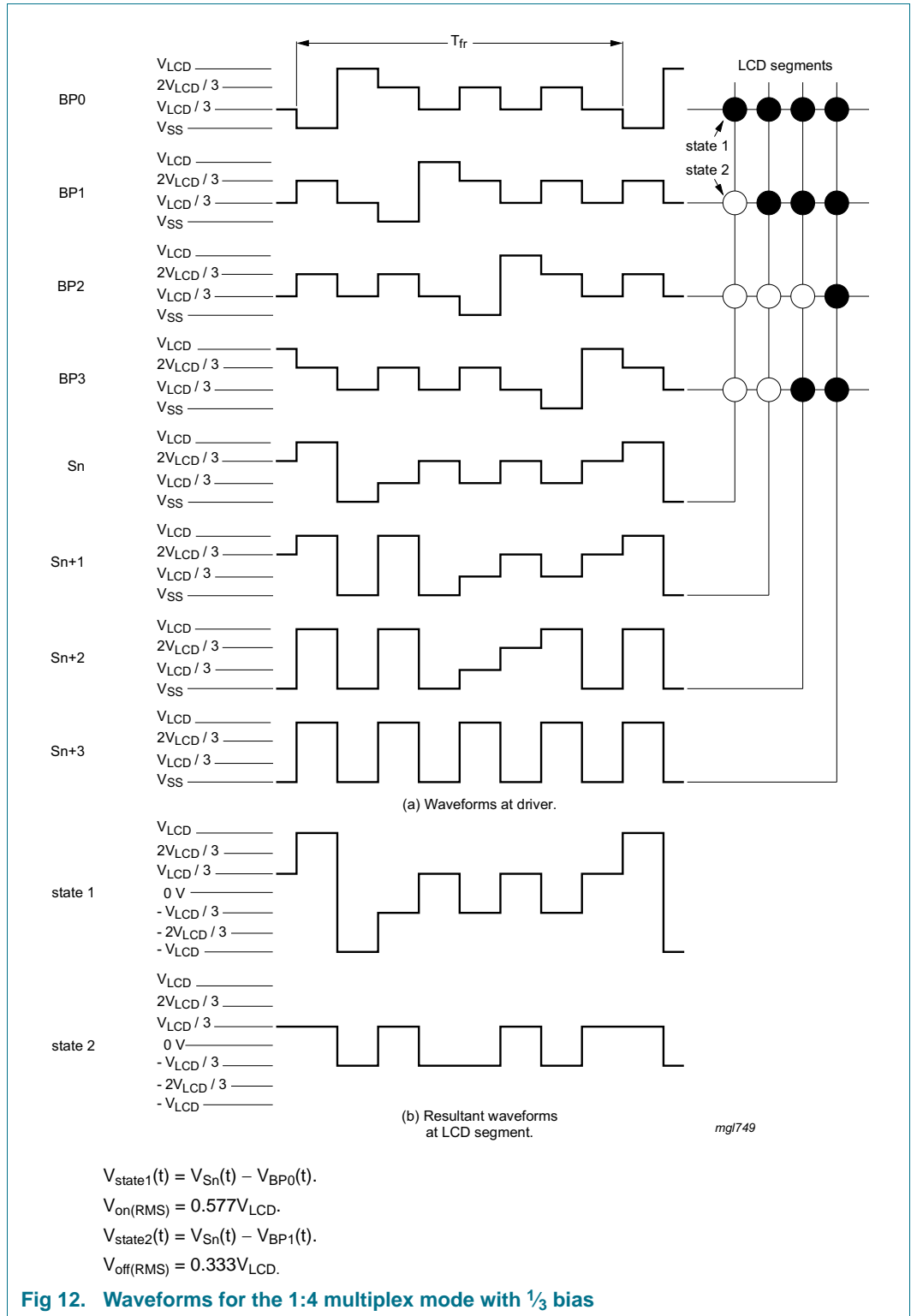


Fig 12. Waveforms for the 1:4 multiplex mode with 1/3 bias

7.5 Oscillator

The internal logic and the LCD drive signals of the PCF8576C are timed by the frequency f_{clk} , which equals either the built-in oscillator frequency f_{osc} or the external clock frequency $f_{clk(ext)}$.

The clock frequency (f_{clk}) determines the LCD frame frequency (f_{fr}) and the maximum rate for data reception from the I²C-bus. To allow I²C-bus transmissions at their maximum data rate of 100 kHz, f_{clk} should be chosen to be above 125 kHz.

7.5.1 Internal clock

The internal oscillator is enabled by connecting pin OSC to pin V_{SS}. In this case, the output from pin CLK is the clock signal for any cascaded PCF8576C in the system.

7.5.2 External clock

Connecting pin OSC to V_{DD} enables an external clock source. Pin CLK then becomes the external clock input.

Remark: A clock signal must always be supplied to the device. Removing the clock, freezes the LCD in a DC state, which is not suitable for the liquid crystal.

7.6 Timing

The timing of the PCF8576C sequences the internal data flow of the device. This includes the transfer of display data from the display RAM to the display segment outputs. In cascaded applications, the synchronization signal (SYNC) maintains the correct timing relationship between the PCF8576Cs in the system. The timing also generates the LCD frame frequency which is derived as an integer division of the clock frequency (see [Table 7](#)). The frame frequency is set by the mode-set command (see [Table 10](#)) when an internal clock is used or by the frequency applied to the pin CLK when an external clock is used.

Table 7. LCD frame frequencies [1]

| Power mode | Frame frequency | Nominal frame frequency (Hz) |
|-------------------|---------------------------------|------------------------------|
| Normal-power mode | $f_{fr} = \frac{f_{clk}}{2880}$ | 69 [2] |
| Power-saving mode | $f_{fr} = \frac{f_{clk}}{480}$ | 65 [3] |

[1] The possible values for f_{clk} see [Table 17](#).

[2] For $f_{clk} = 200$ kHz.

[3] For $f_{clk} = 31$ kHz.

The ratio between the clock frequency and the LCD frame frequency depends on the power mode in which the device is operating. In the power-saving mode, the reduction ratio is six times smaller; this allows the clock frequency to be reduced by a factor of six. The reduced clock frequency results in a significant reduction in power consumption.

The lower clock frequency has the disadvantage of increasing the response time when large amounts of display data are transmitted on the I²C-bus. When a device is unable to process a display data byte before the next one arrives, it holds the SCL line LOW until the first display data byte is stored. This slows down the transmission rate of the I²C-bus but no data loss occurs.

7.7 Display register

The display register holds the display data while the corresponding multiplex signals are generated.

7.8 Shift register

The shift register transfers display information from the display RAM to the display register while previous data is displayed.

7.9 Segment outputs

The LCD drive section includes 40 segment outputs, S0 to S39, which must be connected directly to the LCD. The segment output signals are generated based on the multiplexed backplane signals and with data residing in the display register. When less than 40 segment outputs are required, the unused segment outputs should be left open-circuit.

7.10 Backplane outputs

The LCD drive section includes four backplane outputs: BP0 to BP3. The backplane output signals are generated based on the selected LCD drive mode.

- In 1:4 multiplex drive mode: BP0 to BP3 must be connected directly to the LCD.

If less than four backplane outputs are required, the unused outputs can be left as an open-circuit.

- In 1:3 multiplex drive mode: BP3 carries the same signal as BP1, therefore these two adjacent outputs can be tied together to give enhanced drive capabilities.
- In 1:2 multiplex drive mode: BP0 and BP2, BP1 and BP3 respectively carry the same signals and can also be paired to increase the drive capabilities.
- In static drive mode: the same signal is carried by all four backplane outputs and they can be connected in parallel for very high drive requirements.

7.11 Display RAM

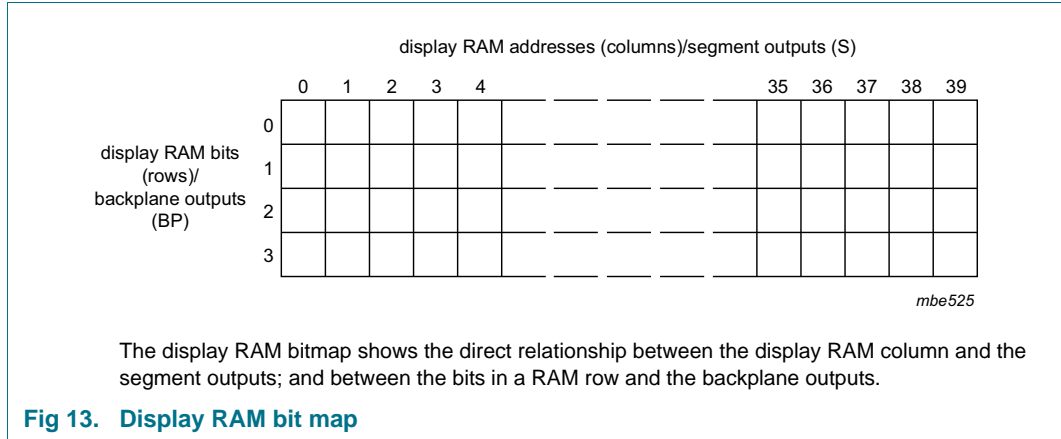
The display RAM is a static 40 × 4-bit RAM which stores LCD data.

There is a one-to-one correspondence between

- the bits in the RAM bitmap and the LCD elements
- the RAM columns and the segment outputs
- the RAM rows and the backplane outputs.

A logic 1 in the RAM bitmap indicates the on-state of the corresponding LCD element; similarly, a logic 0 indicates the off-state.

The display RAM bit map [Figure 13](#) shows the rows 0 to 3 which correspond with the backplane outputs BP0 to BP3, and the columns 0 to 39 which correspond with the segment outputs S0 to S39. In multiplexed LCD applications the segment data of the first, second, third and fourth row of the display RAM are time-multiplexed with BP0, BP1, BP2, and BP3 respectively.



When display data is transmitted to the PCF8576C, the display bytes received are stored in the display RAM in accordance with the selected LCD drive mode. The data is stored as it arrives and does not wait for an acknowledge cycle as with the commands. Depending on the current multiplex drive mode, data is stored singularly, in pairs, triples or quadruples. To illustrate the filling order, an example of a 7-segment numeric display showing all drive modes is given in [Figure 14](#); the RAM filling organization depicted applies equally to other LCD types.

| drive mode | LCD segments | LCD backplanes | display RAM filling order | transmitted display byte | | | | | | | | | | | | | | | | | | | | | | | | | | | | | | | | | | | | | | | | | | | | | | | | | | | | | | | | | |
|------------------|--------------|----------------|--|--------------------------|-------|-------|------------------|------------------|------------------|-------|----------------|-------|------------------|---|----------------|---|---|--------------|---|----|--------------|----|---|---|---|---|----|---|---|----|---|---|---|---|---|---|---|---|---|---|----|---|--|---|---|---|---|---|---|---|---|---|---|---|---|---|---|---|---|---|----|
| static | | | <p>columns display RAM address/segment outputs (s) byte1</p> <table border="1"> <tr> <td></td> <td>n</td> <td>n + 1</td> <td>n + 2</td> <td>n + 3</td> <td>n + 4</td> <td>n + 5</td> <td>n + 6</td> <td>n + 7</td> </tr> <tr> <td>rows display RAM</td> <td>0</td> <td>c</td> <td>b</td> <td>a</td> <td>f</td> <td>g</td> <td>e</td> <td>d</td> <td>DP</td> </tr> <tr> <td>rows/backplane</td> <td>1</td> <td>x</td> <td>x</td> <td>x</td> <td>x</td> <td>x</td> <td>x</td> <td>x</td> <td>x</td> </tr> <tr> <td>outputs (BP)</td> <td>2</td> <td>x</td> <td>x</td> <td>x</td> <td>x</td> <td>x</td> <td>x</td> <td>x</td> <td>x</td> </tr> <tr> <td></td> <td>3</td> <td>x</td> <td>x</td> <td>x</td> <td>x</td> <td>x</td> <td>x</td> <td>x</td> <td>x</td> </tr> </table> | | n | n + 1 | n + 2 | n + 3 | n + 4 | n + 5 | n + 6 | n + 7 | rows display RAM | 0 | c | b | a | f | g | e | d | DP | rows/backplane | 1 | x | x | x | x | x | x | x | x | outputs (BP) | 2 | x | x | x | x | x | x | x | x | | 3 | x | x | x | x | x | x | x | x | <p>MSB</p> <p>LSB</p> <table border="1"> <tr> <td>c</td> <td>b</td> <td>a</td> <td>f</td> <td>g</td> <td>e</td> <td>d</td> <td>DP</td> </tr> </table> | c | b | a | f | g | e | d | DP |
| | n | n + 1 | n + 2 | n + 3 | n + 4 | n + 5 | n + 6 | n + 7 | | | | | | | | | | | | | | | | | | | | | | | | | | | | | | | | | | | | | | | | | | | | | | | | | | | | | |
| rows display RAM | 0 | c | b | a | f | g | e | d | DP | | | | | | | | | | | | | | | | | | | | | | | | | | | | | | | | | | | | | | | | | | | | | | | | | | | | |
| rows/backplane | 1 | x | x | x | x | x | x | x | x | | | | | | | | | | | | | | | | | | | | | | | | | | | | | | | | | | | | | | | | | | | | | | | | | | | | |
| outputs (BP) | 2 | x | x | x | x | x | x | x | x | | | | | | | | | | | | | | | | | | | | | | | | | | | | | | | | | | | | | | | | | | | | | | | | | | | | |
| | 3 | x | x | x | x | x | x | x | x | | | | | | | | | | | | | | | | | | | | | | | | | | | | | | | | | | | | | | | | | | | | | | | | | | | | |
| c | b | a | f | g | e | d | DP | | | | | | | | | | | | | | | | | | | | | | | | | | | | | | | | | | | | | | | | | | | | | | | | | | | | | | |
| 1:2 multiplex | | | <p>columns display RAM address/segment outputs (s) byte1</p> <table border="1"> <tr> <td></td> <td>n</td> <td>n + 1</td> <td>n + 2</td> <td>n + 3</td> </tr> <tr> <td>rows display RAM</td> <td>0</td> <td>a</td> <td>f</td> <td>e</td> <td>d</td> </tr> <tr> <td>rows/backplane</td> <td>1</td> <td>b</td> <td>g</td> <td>c</td> <td>DP</td> </tr> <tr> <td>outputs (BP)</td> <td>2</td> <td>x</td> <td>x</td> <td>x</td> <td>x</td> </tr> <tr> <td></td> <td>3</td> <td>x</td> <td>x</td> <td>x</td> <td>x</td> </tr> </table> | | n | n + 1 | n + 2 | n + 3 | rows display RAM | 0 | a | f | e | d | rows/backplane | 1 | b | g | c | DP | outputs (BP) | 2 | x | x | x | x | | 3 | x | x | x | x | <p>MSB</p> <p>LSB</p> <table border="1"> <tr> <td>a</td> <td>b</td> <td>f</td> <td>g</td> <td>e</td> <td>c</td> <td>d</td> <td>DP</td> </tr> </table> | a | b | f | g | e | c | d | DP | | | | | | | | | | | | | | | | | | | | |
| | n | n + 1 | n + 2 | n + 3 | | | | | | | | | | | | | | | | | | | | | | | | | | | | | | | | | | | | | | | | | | | | | | | | | | | | | | | | | |
| rows display RAM | 0 | a | f | e | d | | | | | | | | | | | | | | | | | | | | | | | | | | | | | | | | | | | | | | | | | | | | | | | | | | | | | | | | |
| rows/backplane | 1 | b | g | c | DP | | | | | | | | | | | | | | | | | | | | | | | | | | | | | | | | | | | | | | | | | | | | | | | | | | | | | | | | |
| outputs (BP) | 2 | x | x | x | x | | | | | | | | | | | | | | | | | | | | | | | | | | | | | | | | | | | | | | | | | | | | | | | | | | | | | | | | |
| | 3 | x | x | x | x | | | | | | | | | | | | | | | | | | | | | | | | | | | | | | | | | | | | | | | | | | | | | | | | | | | | | | | | |
| a | b | f | g | e | c | d | DP | | | | | | | | | | | | | | | | | | | | | | | | | | | | | | | | | | | | | | | | | | | | | | | | | | | | | | |
| 1:3 multiplex | | | <p>columns display RAM address/segment outputs (s) byte1</p> <table border="1"> <tr> <td></td> <td>n</td> <td>n + 1</td> <td>n + 2</td> </tr> <tr> <td>rows display RAM</td> <td>0</td> <td>b</td> <td>a</td> <td>f</td> </tr> <tr> <td>rows/backplane</td> <td>1</td> <td>DP</td> <td>d</td> <td>e</td> </tr> <tr> <td>outputs (BP)</td> <td>2</td> <td>c</td> <td>g</td> <td>x</td> </tr> <tr> <td></td> <td>3</td> <td>x</td> <td>x</td> <td>x</td> </tr> </table> | | n | n + 1 | n + 2 | rows display RAM | 0 | b | a | f | rows/backplane | 1 | DP | d | e | outputs (BP) | 2 | c | g | x | | 3 | x | x | x | <p>MSB</p> <p>LSB</p> <table border="1"> <tr> <td>b</td> <td>DP</td> <td>c</td> <td>a</td> <td>d</td> <td>g</td> <td>f</td> <td>e</td> </tr> </table> | b | DP | c | a | d | g | f | e | | | | | | | | | | | | | | | | | | | | | | | | | |
| | n | n + 1 | n + 2 | | | | | | | | | | | | | | | | | | | | | | | | | | | | | | | | | | | | | | | | | | | | | | | | | | | | | | | | | | |
| rows display RAM | 0 | b | a | f | | | | | | | | | | | | | | | | | | | | | | | | | | | | | | | | | | | | | | | | | | | | | | | | | | | | | | | | | |
| rows/backplane | 1 | DP | d | e | | | | | | | | | | | | | | | | | | | | | | | | | | | | | | | | | | | | | | | | | | | | | | | | | | | | | | | | | |
| outputs (BP) | 2 | c | g | x | | | | | | | | | | | | | | | | | | | | | | | | | | | | | | | | | | | | | | | | | | | | | | | | | | | | | | | | | |
| | 3 | x | x | x | | | | | | | | | | | | | | | | | | | | | | | | | | | | | | | | | | | | | | | | | | | | | | | | | | | | | | | | | |
| b | DP | c | a | d | g | f | e | | | | | | | | | | | | | | | | | | | | | | | | | | | | | | | | | | | | | | | | | | | | | | | | | | | | | | |
| 1:4 multiplex | | | <p>columns display RAM address/segment outputs (s) byte1</p> <table border="1"> <tr> <td></td> <td>n</td> <td>n + 1</td> </tr> <tr> <td>rows display RAM</td> <td>0</td> <td>a</td> <td>f</td> </tr> <tr> <td>rows/backplane</td> <td>1</td> <td>c</td> <td>e</td> </tr> <tr> <td>outputs (BP)</td> <td>2</td> <td>b</td> <td>g</td> </tr> <tr> <td></td> <td>3</td> <td>DP</td> <td>d</td> </tr> </table> | | n | n + 1 | rows display RAM | 0 | a | f | rows/backplane | 1 | c | e | outputs (BP) | 2 | b | g | | 3 | DP | d | <p>MSB</p> <p>LSB</p> <table border="1"> <tr> <td>a</td> <td>c</td> <td>b</td> <td>DP</td> <td>f</td> <td>e</td> <td>g</td> <td>d</td> </tr> </table> | a | c | b | DP | f | e | g | d | | | | | | | | | | | | | | | | | | | | | | | | | | | | | | |
| | n | n + 1 | | | | | | | | | | | | | | | | | | | | | | | | | | | | | | | | | | | | | | | | | | | | | | | | | | | | | | | | | | | |
| rows display RAM | 0 | a | f | | | | | | | | | | | | | | | | | | | | | | | | | | | | | | | | | | | | | | | | | | | | | | | | | | | | | | | | | | |
| rows/backplane | 1 | c | e | | | | | | | | | | | | | | | | | | | | | | | | | | | | | | | | | | | | | | | | | | | | | | | | | | | | | | | | | | |
| outputs (BP) | 2 | b | g | | | | | | | | | | | | | | | | | | | | | | | | | | | | | | | | | | | | | | | | | | | | | | | | | | | | | | | | | | |
| | 3 | DP | d | | | | | | | | | | | | | | | | | | | | | | | | | | | | | | | | | | | | | | | | | | | | | | | | | | | | | | | | | | |
| a | c | b | DP | f | e | g | d | | | | | | | | | | | | | | | | | | | | | | | | | | | | | | | | | | | | | | | | | | | | | | | | | | | | | | |

001aaj646

x = data bit unchanged.

Fig 14. Relationship between LCD layout, drive mode, display RAM filling order, and display data transmitted over the I²C-bus

The following applies to [Figure 14](#):

- In the static drive mode, the eight transmitted data bits are placed in row 0 of eight successive 4-bit RAM words.
- In the 1:2 multiplex mode, the eight transmitted data bits are placed in pairs into row 0 and 1 of four successive 4-bit RAM words.
- In the 1:3 multiplex mode, the eight bits are placed in triples into row 0, 1, and 2 to three successive 3-bit RAM words, with bit 3 of the third address left unchanged. It is not recommended to use this bit in a display because of the difficult addressing. This last bit may, if necessary, be controlled by an additional transfer to this address but care should be taken to avoid overwriting adjacent data because always full bytes are transmitted.
- In the 1:4 multiplex mode, the eight transmitted data bits are placed in quadruples into row 0, 1, 2, and 3 of two successive 4-bit RAM words.

7.12 Data pointer

The addressing mechanism for the display RAM is realized using the data pointer. This allows the loading of an individual display data byte or a series of display data bytes, into any location of the display RAM. The sequence commences with the initialization of the data pointer by the load-data-pointer command (see [Table 11](#)). After this, the data byte is stored starting at the display RAM address indicated by the data pointer (see [Figure 14](#)). Once each byte is stored, the data pointer is automatically incremented based on the selected LCD configuration.

The contents of the data pointer are incremented as follows:

- In static drive mode by eight.
- In 1:2 multiplex drive mode by four.
- In 1:3 multiplex drive mode by three.
- In 1:4 multiplex drive mode by two.

If an I²C-bus data access terminates early, the state of the data pointer is unknown. Consequently, the data pointer must be rewritten prior to further RAM accesses.

7.13 Sub-address counter

The storage of display data is conditioned by the contents of the subaddress counter. Storage is allowed to take place only when the contents of the subaddress counter match with the hardware subaddress applied to A0, A1, and A2. The subaddress counter value is defined by the device-select command (see [Table 12](#)). If the contents of the subaddress counter and the hardware subaddress do not match, then data storage is blocked but the data pointer will be incremented as if data storage had taken place. The subaddress counter is also incremented when the data pointer overflows.

The storage arrangements described lead to extremely efficient data loading in cascaded applications. When a series of display bytes are sent to the display RAM, automatic wrap-over to the next PCF8576C occurs when the last RAM address is exceeded. Subaddressing across device boundaries is successful even if the change to the next device in the cascade occurs within a transmitted character.

7.14 Bank selector

7.14.1 Output bank selector

The output bank selector (see [Table 13](#)), selects one of the four rows per display RAM address for transfer to the display register. The actual row selected depends on the LCD drive mode in operation and on the instant in the multiplex sequence.

- In 1:4 multiplex mode: all RAM addresses of row 0 are selected, followed sequentially by the contents of row 1, row 2, and then row 3.
- In 1:3 multiplex mode: rows 0, 1, and 2 are selected sequentially.
- In 1:2 multiplex mode: rows 0 and 1 are selected.
- In the static mode: row 0 is selected.

The PCF8576C includes a RAM bank switching feature in the static and 1:2 multiplex drive modes. In the static drive mode, the bank-select command may request the contents of row 2 to be selected for display instead of the contents of row 0. In 1:2 multiplex drive mode, the contents of rows 2 and 3 may be selected instead of rows 0 and 1. This enables preparation of display information in an alternative bank and the ability to switch to it once it has been assembled.

7.14.2 Input bank selector

The input bank selector (see [Table 13](#)) loads display data into the display RAM based on the selected LCD drive configuration. Using the bank-select command, display data can be loaded in row 2 into static drive mode or in rows 2 and 3 into 1:2 multiplex drive mode. The input bank selector functions independently of the output bank selector.

7.15 Blinking

The display blinking capabilities of the PCF8576C are very versatile. The whole display can be blinked at frequencies selected by the blink-select command. The blinking frequencies are integer fractions of the clock frequency; the ratios between the clock and blinking frequencies depend on the mode in which the device is operating (see [Table 8](#)).

Table 8. Blink frequencies

| Blinking mode | Normal-power mode ratio | Power-saving mode ratio | Blink frequency |
|---------------|--------------------------------------|-------------------------------------|-----------------|
| off | - | - | blinking off |
| 1 | $f_{blink} = \frac{f_{clk}}{92160}$ | $f_{blink} = \frac{f_{clk}}{15360}$ | 2 Hz |
| 2 | $f_{blink} = \frac{f_{clk}}{184320}$ | $f_{blink} = \frac{f_{clk}}{30720}$ | 1 Hz |
| 3 | $f_{blink} = \frac{f_{clk}}{368640}$ | $f_{blink} = \frac{f_{clk}}{61440}$ | 0.5 Hz |

An additional feature is for an arbitrary selection of LCD segments to be blinked. This applies to the static and 1:2 multiplex drive modes and can be implemented without any communication overheads. Using the output bank selector, the displayed RAM banks are exchanged with alternate RAM banks at the blinking frequency. This mode can also be specified by the blink-select command (see [Table 14](#)).

In the 1:3 and 1:4 multiplex modes, where no alternate RAM bank is available, groups of LCD segments can be blinked by selectively changing the display RAM data at fixed time intervals.

If the entire display must be blinked at a frequency other than the nominal blink frequency, this can be done using the mode-set command to set and reset the display enable bit E at the required rate (see [Table 10](#)).

7.16 Characteristics of the I²C-bus

The I²C-bus is for bidirectional, two-line communication between different ICs or modules. The two lines are a Serial DATA line (SDA) and a Serial CLOCK line (SCL). Both lines must be connected to a positive supply via a pull-up resistor when connected to the output stages of a device. Data transfer may be initiated only when the bus is not busy.

7.16.1 Bit transfer

One data bit is transferred during each clock pulse. The data on the SDA line must remain stable during the HIGH period of the clock pulse. Changes in the data line at this time will be interpreted as a control signal. Bit transfer is illustrated in [Figure 15](#).

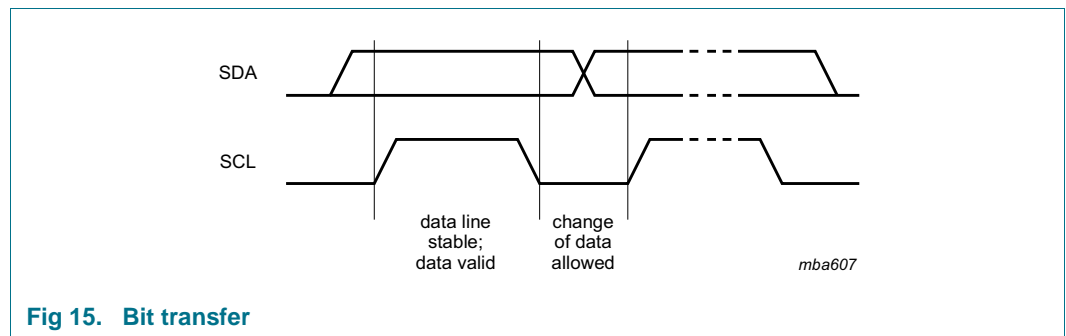


Fig 15. Bit transfer

7.16.2 START and STOP conditions

Both data and clock lines remain HIGH when the bus is not busy. A HIGH-to-LOW change of the data line, while the clock is HIGH, is defined as the START condition (S). A LOW-to-HIGH change of the data line, while the clock is HIGH, is defined as the STOP condition (P). The START and STOP conditions are illustrated in [Figure 16](#).

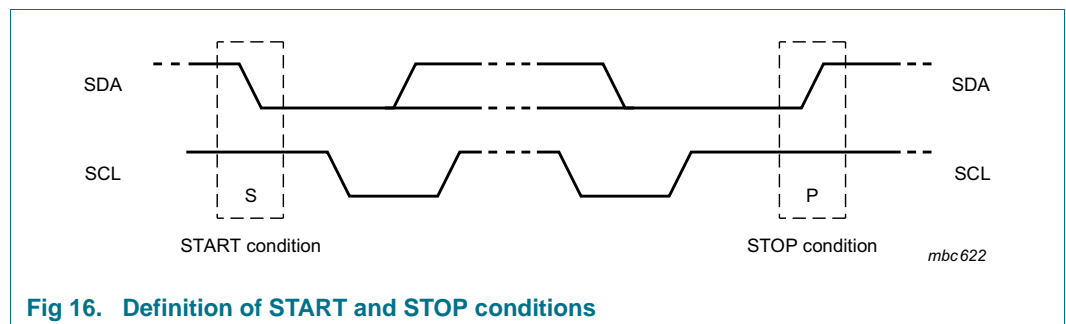


Fig 16. Definition of START and STOP conditions

7.16.3 System configuration

A device generating a message is a transmitter and a device receiving a message is the receiver. The device that controls the message is the master and the devices which are controlled by the master are the slaves. The system configuration is illustrated in [Figure 17](#).

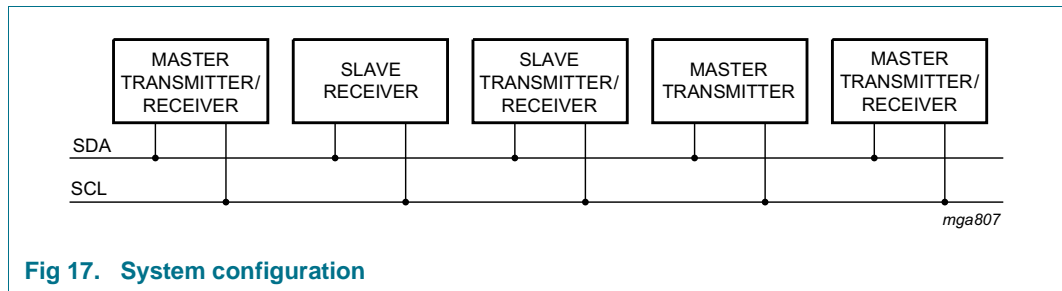


Fig 17. System configuration

7.16.4 Acknowledge

The number of data bytes transferred between the START and STOP conditions from transmitter to receiver is unlimited. Each byte of eight bits is followed by an acknowledge cycle.

- A slave receiver, which is addressed, must generate an acknowledge after the reception of each byte.
- A master receiver must generate an acknowledge after the reception of each byte that has been clocked out of the slave transmitter.
- The device that acknowledges must pull-down the SDA line during the acknowledge clock pulse, so that the SDA line is stable LOW during the HIGH period of the acknowledge related clock pulse (set-up and hold times must be considered).
- A master receiver must signal an end of data to the transmitter by not generating an acknowledge on the last byte that has been clocked out of the slave. In this event, the transmitter must leave the data line HIGH to enable the master to generate a STOP condition.

Acknowledgement on the I²C-bus is illustrated in [Figure 18](#).

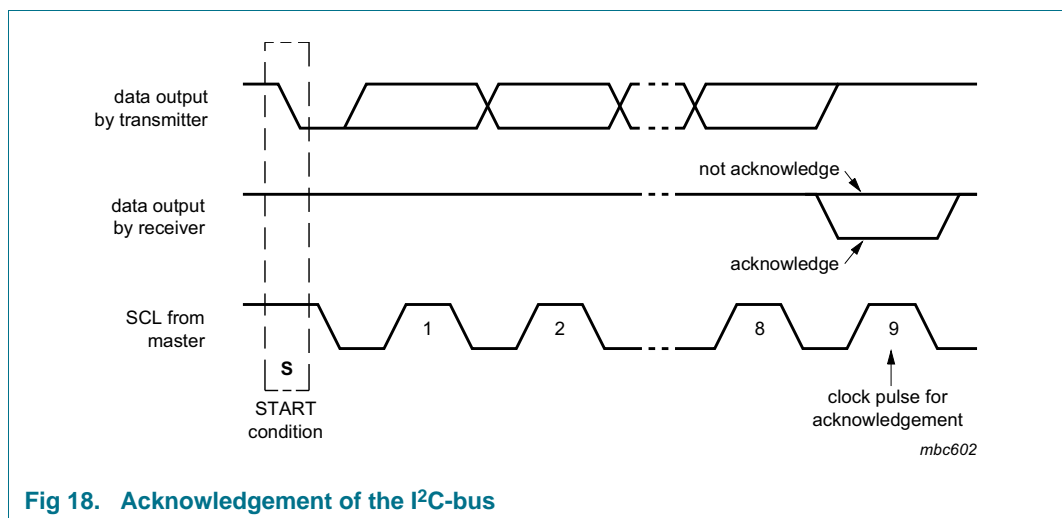


Fig 18. Acknowledgement of the I²C-bus

7.16.5 PCF8576C I²C-bus controller

The PCF8576C acts as an I²C-bus slave receiver. It does not initiate I²C-bus transfers or transmit data to an I²C-bus master receiver. The only data output from the PCF8576C are the acknowledge signals of the selected devices. Device selection depends on the I²C-bus slave address, the transferred command data and the hardware subaddress.

In single device application, the hardware subaddress inputs A0, A1, and A2 are normally tied to V_{SS} which defines the hardware subaddress 0. In multiple device applications A0, A1, and A2 are tied to V_{SS} or V_{DD} using a binary coding scheme so that no two devices with a common I²C-bus slave address have the same hardware subaddress.

In the power-saving mode, it is possible that the PCF8576C is not able to keep up with the highest transmission rates when large amounts of display data are transmitted. If this situation occurs, the PCF8576C forces the SCL line LOW until its internal operations are completed. This is known as the clock synchronization feature of the I²C-bus and serves to slow down fast transmitters. Data loss does not occur.

7.16.6 Input filter

To enhance noise immunity in electrically adverse environments, RC low-pass filters are provided on the SDA and SCL lines.

7.17 I²C-bus protocol

Two I²C-bus slave addresses (0111 000 and 0111 001) are reserved for the PCF8576C. The least significant bit of the slave address that a PCF8576C responds to is defined by the level tied at its input SA0. Therefore, two types of PCF8576C can be distinguished on the same I²C-bus which allows:

- Up to 16 PCF8576Cs on the same I²C-bus for very large LCD applications.
- The use of two types of LCD multiplexes on the same I²C-bus.

The I²C-bus protocol is shown in [Figure 19](#). The sequence is initiated with a START condition (S) from the I²C-bus master which is followed by one of the two PCF8576C slave addresses available. All PCF8576Cs with the corresponding SA0 level acknowledge in parallel with the slave address but all PCF8576Cs with the alternative SA0 level ignore the whole I²C-bus transfer.

After acknowledgement, one or more command bytes follow which define the status of the addressed PCF8576Cs.

The last command byte is tagged with a cleared most significant bit, the continuation bit C. The command bytes are also acknowledged by all addressed PCF8576Cs on the bus.

After the last command byte, a series of display data bytes may follow. These display bytes are stored in the display RAM at the address specified by the data pointer and the subaddress counter. Both data pointer and subaddress counter are automatically updated and the data is directed to the intended PCF8576C device. The acknowledgement after each byte is made only by the (A0, A1, and A2) addressed PCF8576C. After the last display byte, the I²C-bus master issues a STOP condition (P).



Fig 19. I²C-bus protocol

7.18 Command decoder

The command decoder identifies command bytes that arrive on the I²C-bus. All available commands carry a continuation bit C in the most significant bit position as shown in Figure 20. When this bit is set logic 1, it indicates that the next byte of the transfer to arrive will also represent a command. If this bit is set logic 0, it indicates that the command byte is the last in the transfer. Further bytes will be regarded as display data.

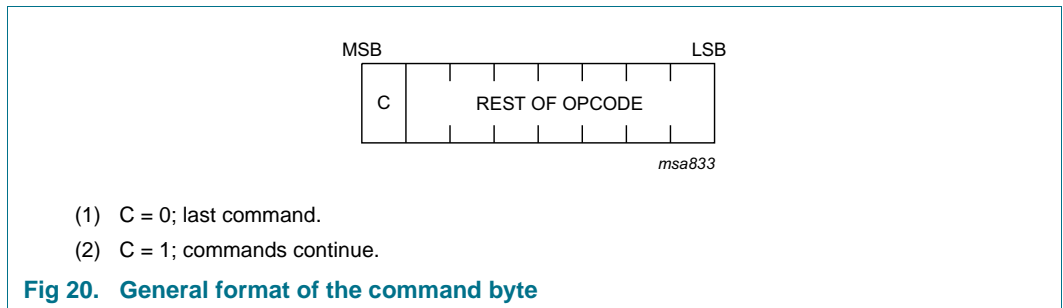


Fig 20. General format of the command byte

The five commands available to the PCF8576C are defined in Table 9.

Table 9. Definition of PCF8576C commands

| Command | Operation Code | | | | | | | | Reference |
|-------------------|----------------|---|--------|----|---|--------|---------|---|--------------------------------|
| | 7 | 6 | 5 | 4 | 3 | 2 | 1 | 0 | |
| mode-set | C | 1 | 0 | LP | E | B | M[1:0] | | Section 7.18.1 |
| load-data-pointer | C | 0 | P[5:0] | | | | | | Section 7.18.2 |
| device-select | C | 1 | 1 | 0 | 0 | A[2:0] | | | Section 7.18.3 |
| bank-select | C | 1 | 1 | 1 | 1 | 0 | I | O | Section 7.18.4 |
| blink-select | C | 1 | 1 | 1 | 0 | AB | BF[1:0] | | Section 7.18.5 |

7.18.1 Mode-set command

Table 10. Mode-set command bit description

| Bit | Symbol | Value | Description |
|--------|--------|-------|---|
| 7 | C | 0, 1 | see Figure 20 |
| 6 to 5 | - | 10 | fixed value |
| 4 | LP | | power dissipation (see Table 7) |
| | | 0 | normal-power mode |
| | | 1 | power-saving mode |
| 3 | E | | display status |
| | | 0 | disabled ^[1] |
| | | 1 | enabled |
| 2 | B | | LCD bias configuration ^[2] |
| | | 0 | $\frac{1}{3}$ bias |
| | | 1 | $\frac{1}{2}$ bias |
| 1 to 0 | M[1:0] | | LCD drive mode selection |
| | | 01 | static; BP0 |
| | | 10 | 1:2 multiplex; BP0, BP1 |
| | | 11 | 1:3 multiplex; BP0, BP1, BP2 |
| | | 00 | 1:4 multiplex; BP0, BP1, BP2, BP3 |

[1] The possibility to disable the display allows implementation of blinking under external control.

[2] Bit B is not applicable for the static LCD drive mode.

7.18.2 Load-data-pointer command

Table 11. Load-data-pointer command bit description

| Bit | Symbol | Value | Description |
|--------|--------|------------------|---|
| 7 | C | 0, 1 | see Figure 20 |
| 6 | - | 0 | fixed value |
| 5 to 0 | P[5:0] | 000000 to 100111 | 6-bit binary value, 0 to 39; transferred to the data pointer to define one of forty display RAM addresses |

7.18.3 Device-select command

Table 12. Device-select command bit description

| Bit | Symbol | Value | Description |
|--------|--------|------------|--|
| 7 | C | 0, 1 | see Figure 20 |
| 6 to 4 | - | 1100 | fixed value |
| 3 to 0 | A[2:0] | 000 to 111 | 3-bit binary value, 0 to 7; transferred to the subaddress counter to define one of eight hardware subaddresses |

7.18.4 Bank-select command

Table 13. Bank-select command bit description

| Bit | Symbol | Value | Description | |
|--------|--------|-------|--|------------------------------|
| | | | Static | 1:2 multiplex ^[1] |
| 7 | C | 0, 1 | see Figure 20 | |
| 6 to 2 | - | 11110 | fixed value | |
| 1 | I | | input bank selection ; storage of arriving display data | |
| | | 0 | RAM bit 0 | RAM bits 0 and 1 |
| | | 1 | RAM bit 2 | RAM bits 2 and 3 |
| 0 | O | | output bank selection ; retrieval of LCD display data | |
| | | 0 | RAM bit 0 | RAM bits 0 and 1 |
| | | 1 | RAM bit 2 | RAM bits 2 and 3 |

[1] The bank-select command has no effect in 1:3 and 1:4 multiplex drive modes.

7.18.5 Blink-select command

Table 14. Blink-select command bit description

| Bit | Symbol | Value | Description |
|--------|---------|-------|--|
| 7 | C | 0, 1 | see Figure 20 |
| 6 to 3 | - | 1110 | fixed value |
| 2 | AB | | blink mode selection |
| | | 0 | normal blinking ^[1] |
| | | 1 | alternate RAM bank blinking ^[2] |
| 1 to 0 | BF[1:0] | | blink frequency selection |
| | | 00 | off |
| | | 01 | 1 |
| | | 10 | 2 |
| | | 11 | 3 |

[1] Normal blinking is assumed when the LCD multiplex drive modes 1:3 or 1:4 are selected.

[2] Alternate RAM bank blinking does not apply in 1:3 and 1:4 multiplex drive modes.

7.19 Display controller

The display controller executes the commands identified by the command decoder. It contains the status registers of the PCF8576C and coordinates their effects. The controller is also responsible for loading display data into the display RAM as required by the filling order.

8. Internal circuitry

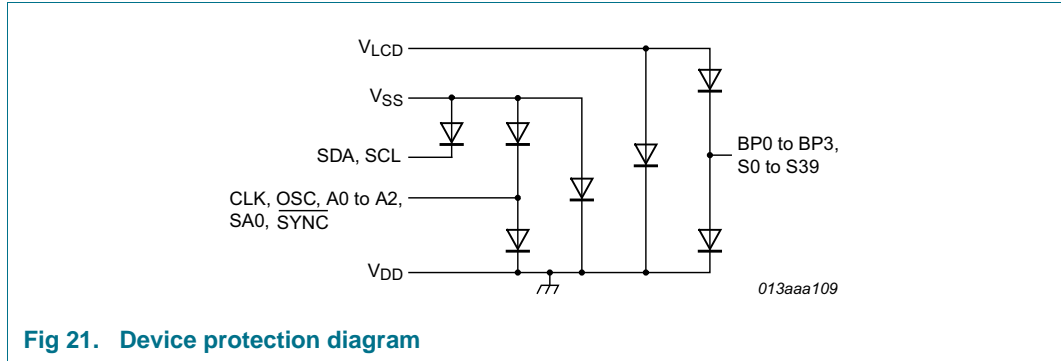


Fig 21. Device protection diagram

9. Safety notes

CAUTION



This device is sensitive to ElectroStatic Discharge (ESD). Observe precautions for handling electrostatic sensitive devices. Such precautions are described in the *ANSI/ESD S20.20, IEC/ST 61340-5, JESD625-A* or equivalent standards.

CAUTION



Static voltages across the liquid crystal display can build up when the LCD supply voltage (V_{LCD}) is on while the IC supply voltage (V_{DD}) is off, or vice versa. This may cause unwanted display artifacts. To avoid such artifacts, V_{LCD} and V_{DD} must be applied or removed together.

CAUTION



Semiconductors are light sensitive. Exposure to light sources can cause the IC to malfunction. The IC must be protected against light. The protection must be applied to all sides of the IC.

11. Static characteristics

Table 16. Static characteristics

$V_{DD} = 2.0\text{ V to }6.0\text{ V}$; $V_{SS} = 0\text{ V}$; $V_{LCD} = V_{DD} - 2.0\text{ V to }V_{DD} - 6.0\text{ V}$; $T_{amb} = -40\text{ }^{\circ}\text{C to }+85\text{ }^{\circ}\text{C}$; unless otherwise specified.

| Symbol | Parameter | Conditions | Min | Typ | Max | Unit |
|---|--------------------------------------|--|--------------------|-----|----------------|------------------|
| Supplies | | | | | | |
| V_{DD} | supply voltage | | 2.0 | - | 6.0 | V |
| V_{LCD} | LCD supply voltage | | [1] $V_{DD} - 6.0$ | - | $V_{DD} - 2.0$ | V |
| I_{DD} | supply current: | $f_{clk} = 200\text{ kHz}$ | [2] - | - | 120 | μA |
| $I_{DD(lp)}$ | low-power mode supply current | $V_{DD} = 3.5\text{ V}$; $V_{LCD} = 0\text{ V}$; $f_{clk} = 35\text{ kHz}$; A0, A1 and A2 connected to V_{SS} | - | - | 60 | μA |
| Logic | | | | | | |
| V_{IL} | LOW-level input voltage | on pins CLK, $\overline{\text{SYNC}}$, OSC, A0 to A2 and SA0 | V_{SS} | - | $0.3V_{DD}$ | V |
| V_{IH} | HIGH-level input voltage | on pins CLK, $\overline{\text{SYNC}}$, OSC, A0 to A2 and SA0 | $0.7V_{DD}$ | - | V_{DD} | V |
| V_{OL} | LOW-level output voltage | $I_{OL} = 0\text{ mA}$ | - | - | 0.05 | V |
| V_{OH} | HIGH-level output voltage | $I_{OH} = 0\text{ mA}$ | $V_{DD} - 0.05$ | - | - | V |
| I_{OL} | LOW-level output current | output sink current; $V_{OL} = 1.0\text{ V}$; $V_{DD} = 5.0\text{ V}$; on pins CLK and $\overline{\text{SYNC}}$ | 1 | - | - | mA |
| I_L | leakage current | $V_I = V_{DD}$ or V_{SS} ; on pins CLK, SCL, SDA, A0 to A2 and SA0 | -1 | - | +1 | μA |
| $I_{L(OSC)}$ | leakage current on pin OSC | $V_I = V_{DD}$ | -1 | - | +1 | μA |
| I_{pd} | pull-down current | $V_I = 1.0\text{ V}$; $V_{DD} = 5.0\text{ V}$; on pins A0 to A2 and OSC | 15 | 50 | 150 | μA |
| $R_{\overline{\text{SYNC}}_N}$ | $\overline{\text{SYNC}}$ resistance | | 20 | 50 | 150 | $\text{k}\Omega$ |
| V_{POR} | power-on reset voltage | | [3] - | 1.0 | 1.6 | V |
| C_I | input capacitance | | [4] - | - | 7 | pF |
| I²C-bus; pins SDA and SCL | | | | | | |
| V_{IL} | LOW-level input voltage | | V_{SS} | - | $0.3V_{DD}$ | V |
| V_{IH} | HIGH-level input voltage | | $0.7V_{DD}$ | - | 6.0 | V |
| $I_{OH(CLK)}$ | HIGH-level output current on pin CLK | output source current; $V_{OH} = 4.0\text{ V}$; $V_{DD} = 5.0\text{ V}$ | 1 | - | - | mA |
| $I_{OL(SDA)}$ | LOW-level output current on pin SDA | output sink current; $V_{OL} = 0.4\text{ V}$; $V_{DD} = 5.0\text{ V}$ | 3 | - | - | mA |

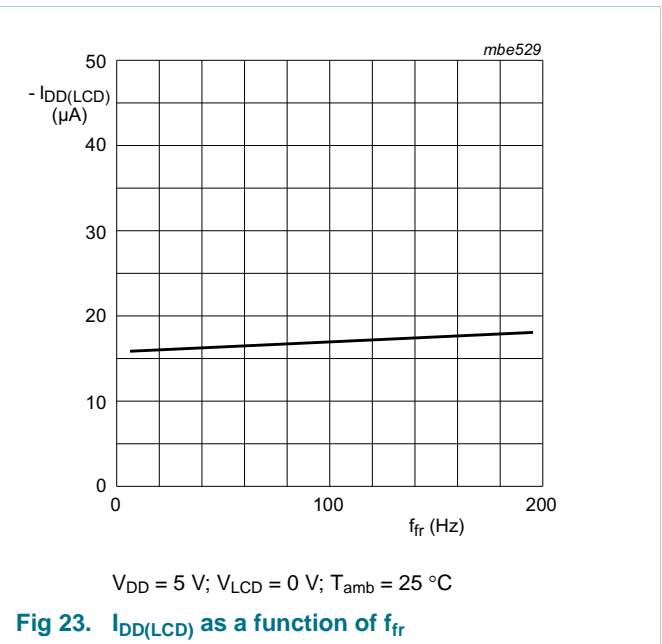
Table 16. Static characteristics ...continued

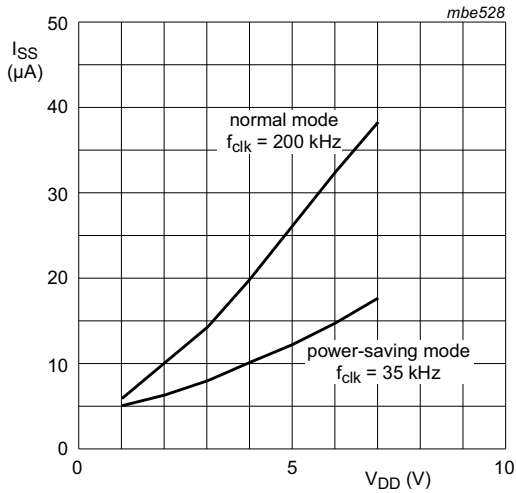
$V_{DD} = 2.0\text{ V to }6.0\text{ V}$; $V_{SS} = 0\text{ V}$; $V_{LCD} = V_{DD} - 2.0\text{ V to }V_{DD} - 6.0\text{ V}$; $T_{amb} = -40\text{ }^{\circ}\text{C to }+85\text{ }^{\circ}\text{C}$; unless otherwise specified.

| Symbol | Parameter | Conditions | Min | Typ | Max | Unit |
|--------------------|----------------------|--|-----|-----|-----|------------|
| LCD outputs | | | | | | |
| V_{BP} | voltage on pin BP | $C_{bpl} = 35\text{ nF}$; on pins BP0 to BP3 | -20 | - | +20 | mV |
| V_S | voltage on pin S | $C_{sgm} = 5\text{ nF}$; on pins S0 to S39 | -20 | - | +20 | mV |
| R_{BP} | resistance on pin BP | $V_{LCD} = V_{DD} - 5\text{ V}$; on pins BP0 to BP3 [5] | - | - | 5 | k Ω |
| R_S | resistance on pin S | $V_{LCD} = V_{DD} - 5\text{ V}$; on pins S0 to S39 [5] | - | - | 7.5 | k Ω |

- [1] $V_{LCD} \leq V_{DD} - 3\text{ V}$ for $\frac{1}{3}$ bias.
- [2] LCD outputs are open-circuit; inputs at V_{SS} or V_{DD} ; external clock with 50 % duty factor; I²C-bus inactive.
- [3] Resets all logic when $V_{DD} < V_{POR}$.
- [4] Periodically sampled, not 100 % tested.
- [5] Outputs measured one at a time.

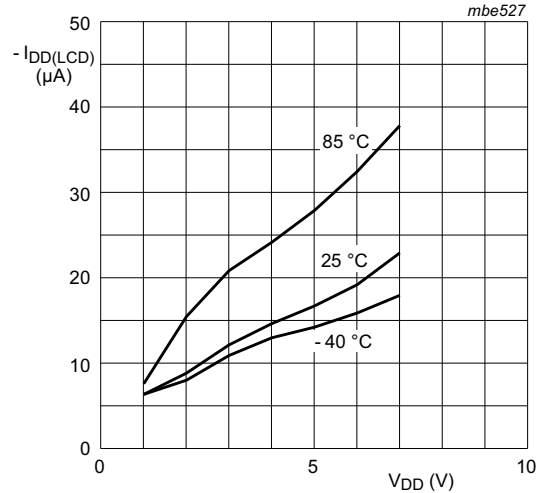
11.1 Typical supply current characteristics





$V_{LCD} = 0$ V; external clock; $T_{amb} = 25$ °C

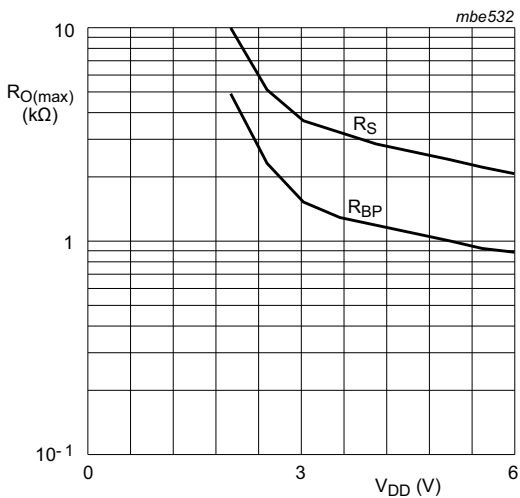
Fig 24. I_{SS} as a function of V_{DD}



$V_{LCD} = 0$ V; external clock; $T_{amb} = 25$ °C

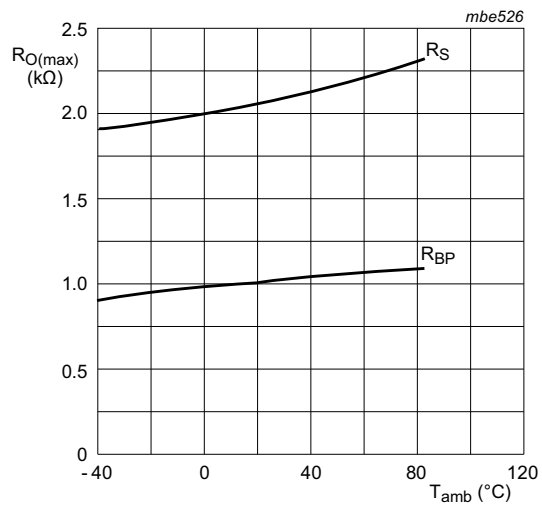
Fig 25. $I_{DD(LCD)}$ as a function of V_{DD}

11.2 Typical LCD output characteristics



$V_{LCD} = 0$ V; $T_{amb} = 25$ °C

Fig 26. $R_{O(max)}$ as a function of V_{DD}



$V_{DD} = 5$ V; $V_{LCD} = 0$ V

Fig 27. $R_{O(max)}$ as a function of T_{amb}

12. Dynamic characteristics

Table 17. Dynamic characteristics

$V_{DD} = 1.8\text{ V to }5.5\text{ V}$; $V_{SS} = 0\text{ V}$; $V_{LCD} = V_{DD} - 2.0\text{ V to }V_{DD} - 6.0\text{ V}$; $T_{amb} = -40\text{ }^{\circ}\text{C to }+85\text{ }^{\circ}\text{C}$; unless otherwise specified.

| Symbol | Parameter | Conditions | Min | Typ | Max | Unit |
|--|--|------------------------|-----|-----|-----|---------------|
| Timing characteristics: driver timing waveforms (see Figure 28) | | | | | | |
| f_{clk} | clock frequency | normal-power mode; [1] | 125 | 200 | 315 | kHz |
| | | $V_{DD} = 5\text{ V}$ | | | | |
| | | power-saving mode; | 21 | 31 | 48 | kHz |
| | | $V_{DD} = 3\text{ V}$ | | | | |
| $t_{clk(H)}$ | clock HIGH time | | 1 | - | - | μs |
| $t_{clk(L)}$ | clock LOW time | | 1 | - | - | μs |
| $t_{PD(SYNC_N)}$ | $\overline{\text{SYNC}}$ propagation delay | | - | - | 400 | ns |
| t_{SYNC_NL} | $\overline{\text{SYNC}}$ LOW time | | 1 | - | - | μs |
| $t_{PD(drv)}$ | driver propagation delay | $V_{LCD} = 5\text{ V}$ | - | - | 30 | μs |
| Timing characteristics: I²C-bus (see Figure 29) [2] | | | | | | |
| t_{BUF} | bus free time between a STOP and START condition | | 4.7 | - | - | μs |
| $t_{HD;STA}$ | hold time (repeated) START condition | | 4.0 | - | - | μs |
| $t_{SU;STA}$ | set-up time for a repeated START condition | | 4.7 | - | - | μs |
| t_{LOW} | LOW period of the SCL clock | | 4.7 | - | - | μs |
| t_{HIGH} | HIGH period of the SCL clock | | 4.0 | - | - | μs |
| t_r | rise time of both SDA and SCL signals | | - | - | 1 | μs |
| t_f | fall time of both SDA and SCL signals | | - | - | 0.3 | μs |
| C_b | capacitive load for each bus line | | - | - | 400 | pF |
| $t_{SU;DAT}$ | data set-up time | | 250 | - | - | ns |
| $t_{HD;DAT}$ | data hold time | | 0 | - | - | ns |
| $t_{SU;STO}$ | set-up time for STOP condition | | 4.0 | - | - | μs |

[1] $f_{clk} < 125\text{ kHz}$, I²C-bus maximum transmission speed is derated.

[2] All timing values are valid within the operating supply voltage and ambient temperature range and are referenced to V_{IL} and V_{IH} with an input voltage swing of V_{SS} to V_{DD} .

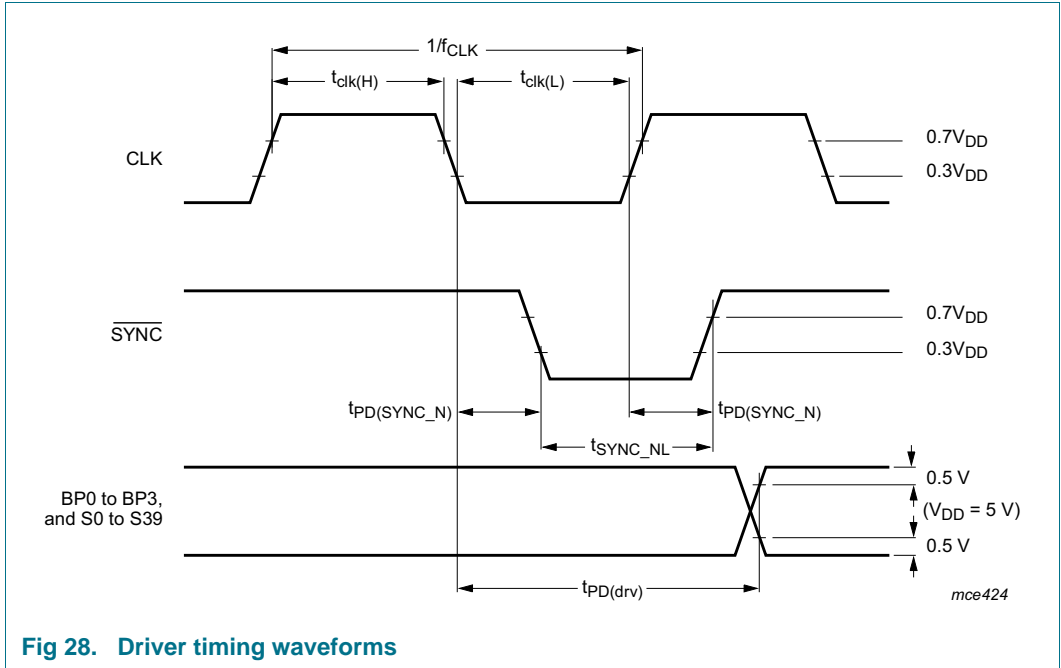


Fig 28. Driver timing waveforms

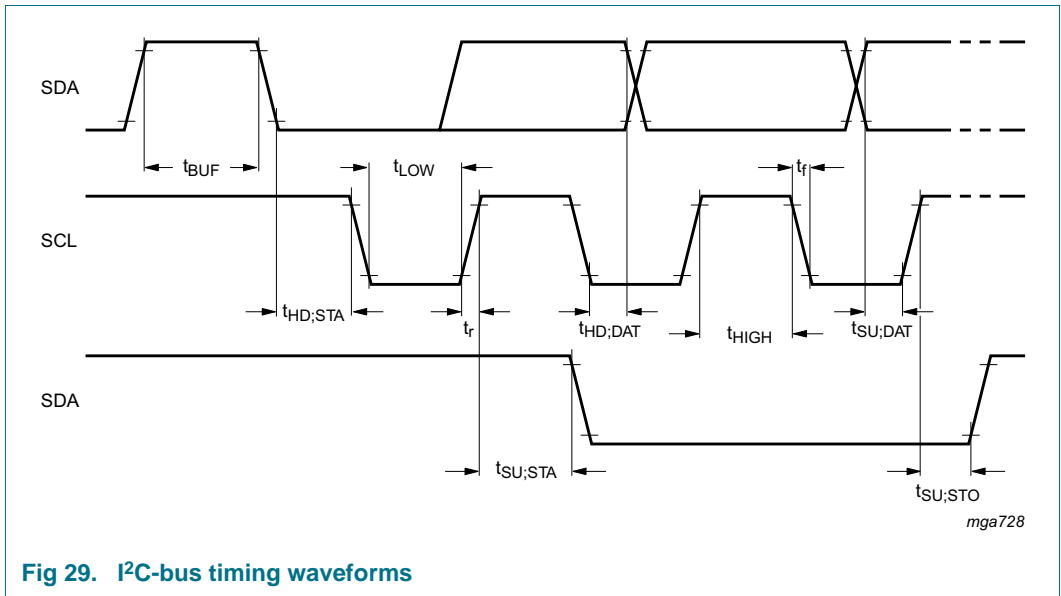


Fig 29. I²C-bus timing waveforms

13. Application information

13.1 Cascaded operation

In large display configurations, up to 16 PCF8576Cs can be recognized on the same I²C-bus by using the 3-bit hardware subaddress (A0, A1, and A2) and the programmable I²C-bus slave address (SA0).

Table 18. Addressing cascaded PCF8576C

| Cluster | Bit SA0 | Pin A2 | Pin A1 | Pin A0 | Device |
|---------|---------|--------|--------|--------|--------|
| 1 | 0 | 0 | 0 | 0 | 0 |
| | | 0 | 0 | 1 | 1 |
| | | 0 | 1 | 0 | 2 |
| | | 0 | 1 | 1 | 3 |
| | | 1 | 0 | 0 | 4 |
| | | 1 | 0 | 1 | 5 |
| | | 1 | 1 | 0 | 6 |
| | | 1 | 1 | 1 | 7 |
| 2 | 1 | 0 | 0 | 0 | 8 |
| | | 0 | 0 | 1 | 9 |
| | | 0 | 1 | 0 | 10 |
| | | 0 | 1 | 1 | 11 |
| | | 1 | 0 | 0 | 12 |
| | | 1 | 0 | 1 | 13 |
| | | 1 | 1 | 0 | 14 |
| | | 1 | 1 | 1 | 15 |

Cascaded PCF8576Cs are synchronized. They can share the backplane signals from one of the devices in the cascade. Such an arrangement is cost-effective in large LCD applications since the backplane outputs of only one device must be through-plated to the backplane electrodes of the display. The other PCF8576C of the cascade contribute additional segment outputs. The backplanes can either be connected together to enhance the drive capability, some can be left open-circuit (as shown in [Figure 30](#)) or just some of one and some of the other device can be taken to facilitate the layout of the display.



Fig 30. Cascaded PCF8576C configuration

The SYNC line is provided to maintain the correct synchronization between all cascaded PCF8576Cs. This synchronization is guaranteed after the power-on reset. The only time that SYNC is likely to be needed is if synchronization is accidentally lost (e.g. by noise in adverse electrical environments; or by the defining a multiplex mode when PCF8576Cs with differing SA0 levels are cascaded).

SYNC is organized as an input/output pin; the output selection being realized as an open-drain driver with an internal pull-up resistor. A PCF8576C asserts the SYNC line and monitors the SYNC line at all other times. If synchronization in the cascade is lost, it is restored by the first PCF8576C to assert SYNC. The timing relationship between the backplane waveforms and the SYNC signal for the various drive modes of the PCF8576C are shown in Figure 31.



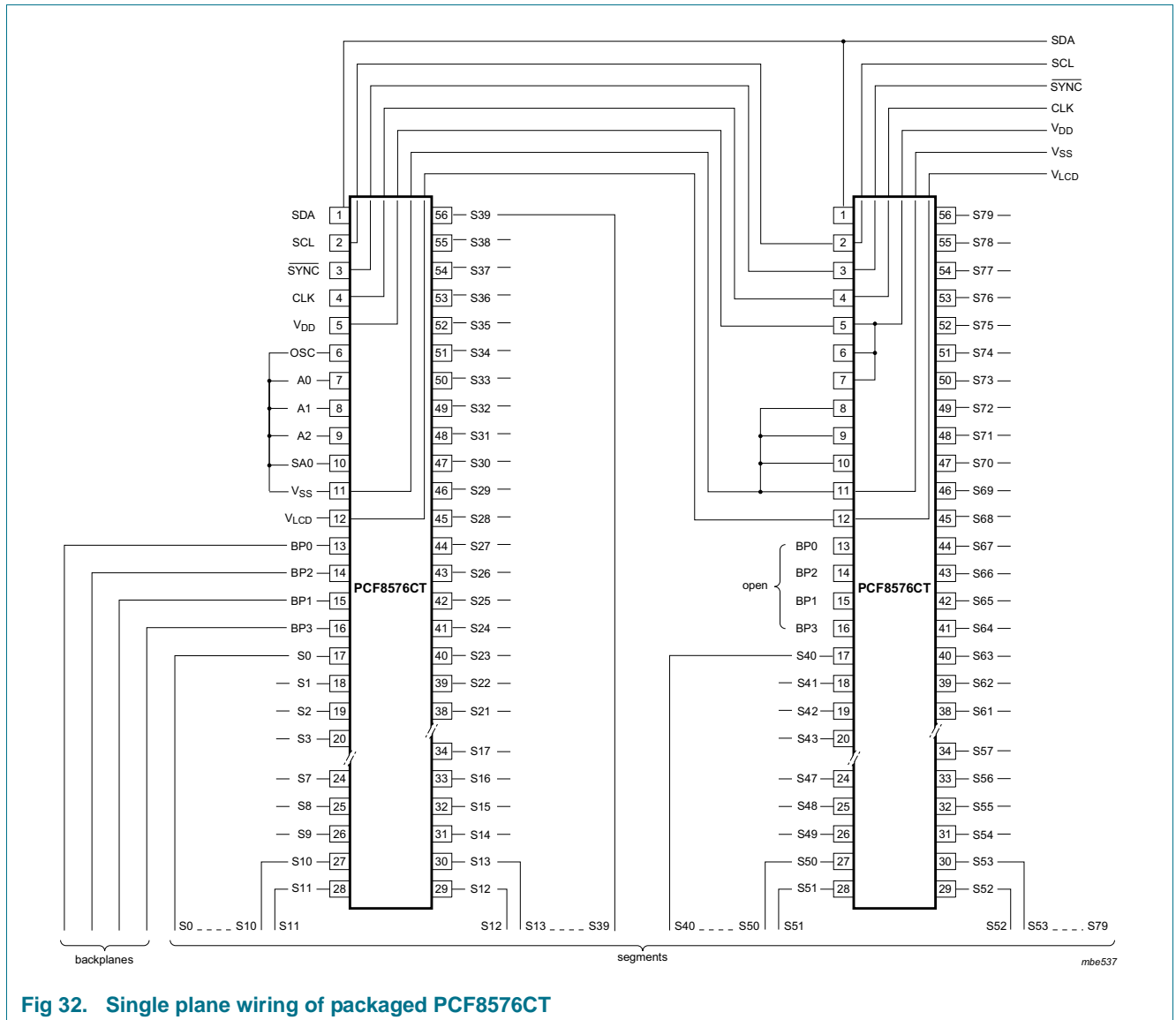


Fig 32. Single plane wiring of packaged PCF8576CT

14. Package outline

LQFP64: plastic low profile quad flat package; 64 leads; body 10 x 10 x 1.4 mm

SOT314-2



Fig 33. Package outline SOT314-2 (LQFP64) of PCF8576CHL/1

VSO56: plastic very small outline package; 56 leads

SOT190-1



Fig 34. Package outline SOT190-1 (VSO56) of PCF8576CT/1

15. Bare die outline

Bare die; 56 bumps; 3.2 x 2.92 x 0.40 mm

PCF8576CU/2



Fig 35. Bare die outline of PCF8576CU/2/F2

Wire bond die; 56 bonding pads; 3.2 x 2.92 x 0.38 mm

PCF8576CU



Fig 36. Bare die outline of PCF8576CU/F1

Table 19. Pad and bump description for PCF8576CU

All x/y coordinates represent the position of the center of each pad with respect to the center (x/y = 0) of the chip.

| Symbol | Pad | X (μm) | Y (μm) | Description |
|------------------|-----|--------|--------|---|
| SDA | 1 | -74 | -1380 | I ² C-bus serial data input/output |
| SCL | 2 | 148 | -1380 | I ² C-bus serial clock input |
| SYN \bar{C} | 3 | 355 | -1380 | cascade synchronization input/output |
| CLK | 4 | 534 | -1380 | external clock input/output |
| V _{DD} | 5 | 742 | -1380 | supply voltage |
| OSC | 6 | 913 | -1380 | internal oscillator enable input |
| A0 | 7 | 1087 | -1380 | subaddress input |
| A1 | 8 | 1290 | -1284 | subaddress input |
| A2 | 9 | 1290 | -1116 | subaddress input |
| SA0 | 10 | 1290 | -945 | subaddress input |
| V _{SS} | 11 | 1290 | -751 | logic ground |
| V _{LCD} | 12 | 1290 | -485 | LCD supply voltage |
| BP0 | 13 | 1290 | 125 | LCD backplane output |
| BP2 | 14 | 1290 | 285 | LCD backplane output |
| BP1 | 15 | 1290 | 458 | LCD backplane output |
| BP3 | 16 | 1290 | 618 | LCD backplane output |
| S0 | 17 | 1290 | 791 | LCD segment output |
| S1 | 18 | 1290 | 951 | LCD segment output |
| S2 | 19 | 1290 | 1124 | LCD segment output |
| S3 | 20 | 1290 | 1284 | LCD segment output |
| S4 | 21 | 1074 | 1380 | LCD segment output |
| S5 | 22 | 914 | 1380 | LCD segment output |
| S6 | 23 | 741 | 1380 | LCD segment output |
| S7 | 24 | 581 | 1380 | LCD segment output |
| S8 | 25 | 408 | 1380 | LCD segment output |
| S9 | 26 | 248 | 1380 | LCD segment output |
| S10 | 27 | 75 | 1380 | LCD segment output |
| S11 | 28 | -85 | 1380 | LCD segment output |
| S12 | 29 | -258 | 1380 | LCD segment output |
| S13 | 30 | -418 | 1380 | LCD segment output |
| S14 | 31 | -591 | 1380 | LCD segment output |
| S15 | 32 | -751 | 1380 | LCD segment output |
| S16 | 33 | -924 | 1380 | LCD segment output |
| S17 | 34 | -1084 | 1380 | LCD segment output |
| S18 | 35 | -1290 | 1243 | LCD segment output |
| S19 | 36 | -1290 | 1083 | LCD segment output |
| S20 | 37 | -1290 | 910 | LCD segment output |
| S21 | 38 | -1290 | 750 | LCD segment output |
| S22 | 39 | -1290 | 577 | LCD segment output |

Table 19. Pad and bump description for PCF8576CU

All x/y coordinates represent the position of the center of each pad with respect to the center (x/y = 0) of the chip.

| Symbol | Pad | X (μm) | Y (μm) | Description |
|--------|-----|---------------------|---------------------|--------------------|
| S23 | 40 | -1290 | 417 | LCD segment output |
| S24 | 41 | -1290 | 244 | LCD segment output |
| S25 | 42 | -1290 | 84 | LCD segment output |
| S26 | 43 | -1290 | -89 | LCD segment output |
| S27 | 44 | -1290 | -249 | LCD segment output |
| S28 | 45 | -1290 | -422 | LCD segment output |
| S29 | 46 | -1290 | -582 | LCD segment output |
| S30 | 47 | -1290 | -755 | LCD segment output |
| S31 | 48 | -1290 | -915 | LCD segment output |
| S32 | 49 | -1290 | -1088 | LCD segment output |
| S33 | 50 | -1290 | -1248 | LCD segment output |
| S34 | 51 | -1083 | -1380 | LCD segment output |
| S35 | 52 | -923 | -1380 | LCD segment output |
| S36 | 53 | -750 | -1380 | LCD segment output |
| S37 | 54 | -590 | -1380 | LCD segment output |
| S38 | 55 | -417 | -1380 | LCD segment output |
| S39 | 56 | -257 | -1380 | LCD segment output |

Table 20. Alignment marks

| Symbol | X (μm) | Y (μm) |
|--------|---------------------|---------------------|
| C1 | -1290 | 1385 |
| C2 | -1295 | -1385 |
| F | 1305 | -1405 |

16. Handling information

All input and output pins are protected against ElectroStatic Discharge (ESD) under normal handling. When handling Metal-Oxide Semiconductor (MOS) devices ensure that all normal precautions are taken as described in *JESD625-A*, *IEC 61340-5* or equivalent standards.

17. Packing information

17.1 Tray information

Tray information for the PCF8576CU/F1 and PCF8576CU/2/F2 is shown in [Figure 37](#), [Figure 38](#) and [Table 21](#).



Fig 37. Tray details

Table 21. Description of tray details

Tray details are shown in [Figure 37](#).

| Tray details | | | | | | | | | | | | | | |
|-------------------|-----|------|-----|------|-------|------|-------------|-----|------|------|------|------|-----|------|
| Dimensions | | | | | | | | | | | | | | |
| A | B | C | D | E | F | G | H | J | K | L | M | N | O | Unit |
| 4.4 | 4.4 | 3.02 | 3.3 | 50.8 | 45.72 | 39.6 | 5.6 | 5.6 | 39.6 | 3.96 | 2.18 | 2.49 | 0.5 | mm |
| Number of pockets | | | | | | | | | | | | | | |
| x direction | | | | | | | y direction | | | | | | | |
| 10 | | | | | | | 10 | | | | | | | |

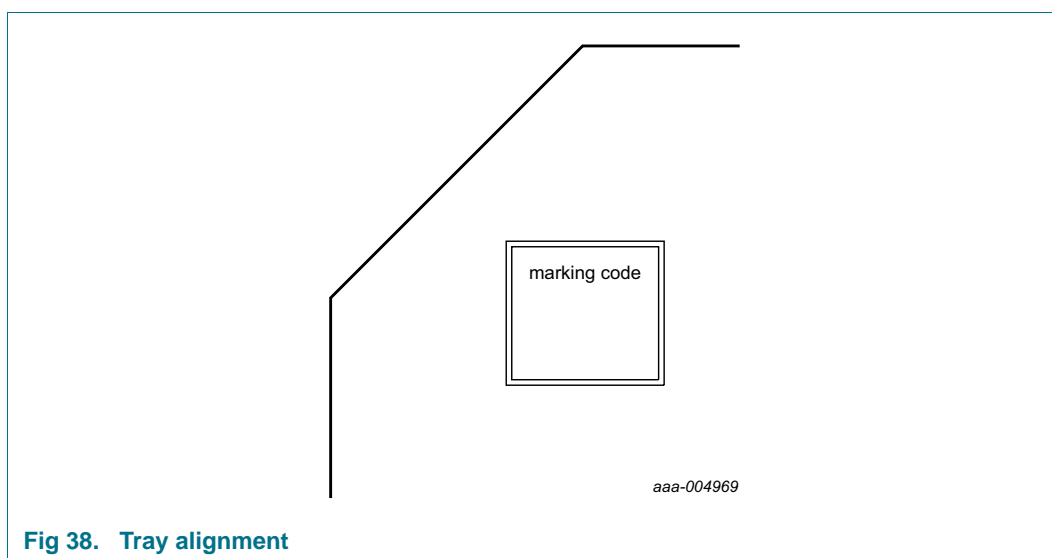


Fig 38. Tray alignment

18. Soldering of SMD packages

This text provides a very brief insight into a complex technology. A more in-depth account of soldering ICs can be found in Application Note *AN10365 "Surface mount reflow soldering description"*.

18.1 Introduction to soldering

Soldering is one of the most common methods through which packages are attached to Printed Circuit Boards (PCBs), to form electrical circuits. The soldered joint provides both the mechanical and the electrical connection. There is no single soldering method that is ideal for all IC packages. Wave soldering is often preferred when through-hole and Surface Mount Devices (SMDs) are mixed on one printed wiring board; however, it is not suitable for fine pitch SMDs. Reflow soldering is ideal for the small pitches and high densities that come with increased miniaturization.

18.2 Wave and reflow soldering

Wave soldering is a joining technology in which the joints are made by solder coming from a standing wave of liquid solder. The wave soldering process is suitable for the following:

- Through-hole components
- Leaded or leadless SMDs, which are glued to the surface of the printed circuit board

Not all SMDs can be wave soldered. Packages with solder balls, and some leadless packages which have solder lands underneath the body, cannot be wave soldered. Also, leaded SMDs with leads having a pitch smaller than ~0.6 mm cannot be wave soldered, due to an increased probability of bridging.

The reflow soldering process involves applying solder paste to a board, followed by component placement and exposure to a temperature profile. Leaded packages, packages with solder balls, and leadless packages are all reflow solderable.

Key characteristics in both wave and reflow soldering are:

- Board specifications, including the board finish, solder masks and vias
- Package footprints, including solder thieves and orientation
- The moisture sensitivity level of the packages
- Package placement
- Inspection and repair
- Lead-free soldering versus SnPb soldering

18.3 Wave soldering

Key characteristics in wave soldering are:

- Process issues, such as application of adhesive and flux, clinching of leads, board transport, the solder wave parameters, and the time during which components are exposed to the wave
- Solder bath specifications, including temperature and impurities

18.4 Reflow soldering

Key characteristics in reflow soldering are:

- Lead-free versus SnPb soldering; note that a lead-free reflow process usually leads to higher minimum peak temperatures (see [Figure 39](#)) than a SnPb process, thus reducing the process window
- Solder paste printing issues including smearing, release, and adjusting the process window for a mix of large and small components on one board
- Reflow temperature profile; this profile includes preheat, reflow (in which the board is heated to the peak temperature) and cooling down. It is imperative that the peak temperature is high enough for the solder to make reliable solder joints (a solder paste characteristic). In addition, the peak temperature must be low enough that the packages and/or boards are not damaged. The peak temperature of the package depends on package thickness and volume and is classified in accordance with [Table 22](#) and [23](#)

Table 22. SnPb eutectic process (from J-STD-020D)

| Package thickness (mm) | Package reflow temperature (°C) | |
|------------------------|---------------------------------|-------|
| | Volume (mm ³) | |
| | < 350 | ≥ 350 |
| < 2.5 | 235 | 220 |
| ≥ 2.5 | 220 | 220 |

Table 23. Lead-free process (from J-STD-020D)

| Package thickness (mm) | Package reflow temperature (°C) | | |
|------------------------|---------------------------------|-------------|--------|
| | Volume (mm ³) | | |
| | < 350 | 350 to 2000 | > 2000 |
| < 1.6 | 260 | 260 | 260 |
| 1.6 to 2.5 | 260 | 250 | 245 |
| > 2.5 | 250 | 245 | 245 |

Moisture sensitivity precautions, as indicated on the packing, must be respected at all times.

Studies have shown that small packages reach higher temperatures during reflow soldering, see [Figure 39](#).



For further information on temperature profiles, refer to Application Note AN10365 “Surface mount reflow soldering description”.

19. Appendix

19.1 LCD segment driver selection

Table 24. Selection of LCD segment drivers

| Type name | Number of elements at MUX | | | | | | | V _{DD} (V) | V _{LCD} (V) | f _{fr} (Hz) | V _{LCD} (V) charge pump | V _{LCD} (V) temperature compensat. | T _{amb} (°C) | Interface | Package | AEC- Q100 |
|---------------------------|---------------------------|-----|-----|-----|-----|-----|-----|---------------------|----------------------|--------------------------|--|---|-----------------------|------------------|---------|--------------|
| | 1:1 | 1:2 | 1:3 | 1:4 | 1:6 | 1:8 | 1:9 | | | | | | | | | |
| PCA8561AHN ^[5] | 18 | 36 | 54 | 72 | - | - | - | 1.8 to 5.5 | 1.8 to 5.5 | 32 to 256 ^[1] | N | N | -40 to 105 | I ² C | HVQFN32 | Y |
| PCA8561BHN ^[5] | 18 | 36 | 54 | 72 | - | - | - | 1.8 to 5.5 | 1.8 to 5.5 | 32 to 256 ^[1] | N | N | -40 to 105 | SPI | HVQFN32 | Y |
| PCF8566TS | 24 | 48 | 72 | 96 | - | - | - | 2.5 to 6 | 2.5 to 6 | 69 | N | N | -40 to 85 | I ² C | VSO40 | N |
| PCF85162T | 32 | 64 | 96 | 128 | - | - | - | 1.8 to 5.5 | 2.5 to 6.5 | 82 | N | N | -40 to 85 | I ² C | TSSOP48 | N |
| PCA85162T | 32 | 64 | 96 | 128 | - | - | - | 1.8 to 5.5 | 2.5 to 8 | 110 | N | N | -40 to 95 | I ² C | TSSOP48 | Y |
| PCA85262ATT | 32 | 64 | 96 | 128 | - | - | - | 1.8 to 5.5 | 2.5 to 8 | 200 | N | N | -40 to 105 | I ² C | TSSOP48 | Y |
| PCF8551ATT ^[5] | 36 | 72 | 108 | 144 | - | - | - | 1.8 to 5.5 | 1.8 to 5.5 | 32 to 128 ^[1] | N | N | -40 to 85 | I ² C | TSSOP48 | N |
| PCF8551BTT ^[5] | 36 | 72 | 108 | 144 | - | - | - | 1.8 to 5.5 | 1.8 to 5.5 | 32 to 128 ^[1] | N | N | -40 to 85 | SPI | TSSOP48 | N |
| PCA8551ATT ^[5] | 36 | 72 | 108 | 144 | - | - | - | 1.8 to 5.5 | 1.8 to 5.5 | 32 to 256 ^[1] | N | N | -40 to 105 | I ² C | TSSOP48 | Y |
| PCA8551BTT ^[5] | 36 | 72 | 108 | 144 | - | - | - | 1.8 to 5.5 | 1.8 to 5.5 | 32 to 256 ^[1] | N | N | -40 to 105 | SPI | TSSOP48 | Y |
| PCF85176T | 40 | 80 | 120 | 160 | - | - | - | 1.8 to 5.5 | 2.5 to 6.5 | 82 | N | N | -40 to 85 | I ² C | TSSOP56 | N |
| PCA85176T | 40 | 80 | 120 | 160 | - | - | - | 1.8 to 5.5 | 2.5 to 8 | 110 | N | N | -40 to 95 | I ² C | TSSOP56 | Y |
| PCA85276ATT | 40 | 80 | 120 | 160 | - | - | - | 1.8 to 5.5 | 2.5 to 8 | 200 | N | N | -40 to 105 | I ² C | TSSOP56 | Y |
| PCF85176H | 40 | 80 | 120 | 160 | - | - | - | 1.8 to 5.5 | 2.5 to 6.5 | 82 | N | N | -40 to 85 | I ² C | TQFP64 | N |
| PCA85176H | 40 | 80 | 120 | 160 | - | - | - | 1.8 to 5.5 | 2.5 to 8 | 82 | N | N | -40 to 95 | I ² C | TQFP64 | Y |
| PCF8553ATT ^[5] | 40 | 80 | 120 | 160 | - | - | - | 1.8 to 5.5 | 1.8 to 5.5 | 32 to 128 ^[1] | N | N | -40 to 85 | I ² C | TSSOP56 | N |
| PCF8553BTT ^[5] | 40 | 80 | 120 | 160 | - | - | - | 1.8 to 5.5 | 1.8 to 5.5 | 32 to 128 ^[1] | N | N | -40 to 85 | SPI | TSSOP56 | N |
| PCA8553ATT ^[5] | 40 | 80 | 120 | 160 | - | - | - | 1.8 to 5.5 | 1.8 to 5.5 | 32 to 256 ^[1] | N | N | -40 to 105 | I ² C | TSSOP56 | Y |
| PCA8553BTT ^[5] | 40 | 80 | 120 | 160 | - | - | - | 1.8 to 5.5 | 1.8 to 5.5 | 32 to 256 ^[1] | N | N | -40 to 105 | SPI | TSSOP56 | Y |
| PCA8546ATT | - | - | - | 176 | - | - | - | 1.8 to 5.5 | 2.5 to 9 | 60 to 300 ^[1] | N | N | -40 to 95 | I ² C | TSSOP56 | Y |
| PCA8546BTT | - | - | - | 176 | - | - | - | 1.8 to 5.5 | 2.5 to 9 | 60 to 300 ^[1] | N | N | -40 to 95 | SPI | TSSOP56 | Y |
| PCA8547AHT ^[5] | 44 | 88 | - | 176 | - | - | - | 1.8 to 5.5 | 2.5 to 9 | 60 to 300 ^[1] | Y | Y ^[3] | -40 to 95 | I ² C | TQFP64 | Y |
| PCA8547BHT ^[5] | 44 | 88 | - | 176 | - | - | - | 1.8 to 5.5 | 2.5 to 9 | 60 to 300 ^[1] | Y | Y ^[3] | -40 to 95 | SPI | TQFP64 | Y |
| PCF85134HL | 60 | 120 | 180 | 240 | - | - | - | 1.8 to 5.5 | 2.5 to 6.5 | 82 | N | N | -40 to 85 | I ² C | LQFP80 | N |
| PCA85134H | 60 | 120 | 180 | 240 | - | - | - | 1.8 to 5.5 | 2.5 to 8 | 82 | N | N | -40 to 95 | I ² C | LQFP80 | Y |

Table 24. Selection of LCD segment drivers ...continued

| Type name | Number of elements at MUX | | | | | | | V _{DD} (V) | V _{LCD} (V) | f _{fr} (Hz) | V _{LCD} (V) charge pump | V _{LCD} (V) temperature compensat. | T _{amb} (°C) | Interface | Package | AEC- Q100 |
|---------------------------|---------------------------|-----|-----|-----|-----|-----|-----|---------------------|----------------------|---------------------------|--|---|-----------------------|--------------------------------------|----------|--------------|
| | 1:1 | 1:2 | 1:3 | 1:4 | 1:6 | 1:8 | 1:9 | | | | | | | | | |
| PCA8543AHL | 60 | 120 | - | 240 | - | - | - | 2.5 to 5.5 | 2.5 to 9 | 60 to 300 ^[1] | Y | Y | -40 to 105 | I ² C | LQFP80 | Y |
| PCF8545ATT | - | - | - | 176 | 252 | 320 | - | 1.8 to 5.5 | 2.5 to 5.5 | 60 to 300 ^[1] | N | N | -40 to 85 | I ² C | TSSOP56 | N |
| PCF8545BTT | - | - | - | 176 | 252 | 320 | - | 1.8 to 5.5 | 2.5 to 5.5 | 60 to 300 ^[1] | N | N | -40 to 85 | SPI | TSSOP56 | N |
| PCF8536AT ^[4] | - | - | - | 176 | 252 | 320 | - | 1.8 to 5.5 | 2.5 to 9 | 60 to 300 ^[1] | N | N | -40 to 85 | I ² C | TSSOP56 | N |
| PCF8536BT ^[4] | - | - | - | 176 | 252 | 320 | - | 1.8 to 5.5 | 2.5 to 9 | 60 to 300 ^[1] | N | N | -40 to 85 | SPI | TSSOP56 | N |
| PCA8536AT ^[4] | - | - | - | 176 | 252 | 320 | - | 1.8 to 5.5 | 2.5 to 9 | 60 to 300 ^[1] | N | N | -40 to 95 | I ² C | TSSOP56 | Y |
| PCA8536BT ^[4] | - | - | - | 176 | 252 | 320 | - | 1.8 to 5.5 | 2.5 to 9 | 60 to 300 ^[1] | N | N | -40 to 95 | SPI | TSSOP56 | Y |
| PCF8537AH | 44 | 88 | - | 176 | 276 | 352 | - | 1.8 to 5.5 | 2.5 to 9 | 60 to 300 ^[1] | Y | Y ^[3] | -40 to 85 | I ² C | TQFP64 | N |
| PCF8537BH | 44 | 88 | - | 176 | 276 | 352 | - | 1.8 to 5.5 | 2.5 to 9 | 60 to 300 ^[1] | Y | Y ^[3] | -40 to 85 | SPI | TQFP64 | N |
| PCA8537AH | 44 | 88 | - | 176 | 276 | 352 | - | 1.8 to 5.5 | 2.5 to 9 | 60 to 300 ^[1] | Y | Y ^[3] | -40 to 95 | I ² C | TQFP64 | Y |
| PCA8537BH | 44 | 88 | - | 176 | 276 | 352 | - | 1.8 to 5.5 | 2.5 to 9 | 60 to 300 ^[1] | Y | Y ^[3] | -40 to 95 | SPI | TQFP64 | Y |
| PCA9620H | 60 | 120 | - | 240 | 320 | 480 | - | 2.5 to 5.5 | 2.5 to 9 | 60 to 300 ^[1] | Y | Y ^[3] | -40 to 105 | I ² C | LQFP80 | Y |
| PCA9620U | 60 | 120 | - | 240 | 320 | 480 | - | 2.5 to 5.5 | 2.5 to 9 | 60 to 300 ^[1] | Y | Y ^[3] | -40 to 105 | I ² C | bare die | Y |
| PCF8552DUG ^[5] | 36 | 72 | 108 | 144 | - | - | - | 1.8 to 5.5 | 1.8 to 5.5 | 32 to 128 ^[1] | N | N | -40 to 85 | I ² C, SPI | bare die | N |
| PCA8552DUG ^[5] | 36 | 72 | 108 | 144 | - | - | - | 1.8 to 5.5 | 1.8 to 5.5 | 32 to 256 ^[1] | N | N | -40 to 105 | I ² C, SPI | bare die | Y |
| PCF8576DU | 40 | 80 | 120 | 160 | - | - | - | 1.8 to 5.5 | 2.5 to 6.5 | 77 | N | N | -40 to 85 | I ² C | bare die | N |
| PCF8576EUG | 40 | 80 | 120 | 160 | - | - | - | 1.8 to 5.5 | 2.5 to 6.5 | 77 | N | N | -40 to 85 | I ² C | bare die | N |
| PCA8576FUG | 40 | 80 | 120 | 160 | - | - | - | 1.8 to 5.5 | 2.5 to 8 | 200 | N | N | -40 to 105 | I ² C | bare die | Y |
| PCF85133U | 80 | 160 | 240 | 320 | - | - | - | 1.8 to 5.5 | 2.5 to 6.5 | 82, 110 ^[2] | N | N | -40 to 85 | I ² C | bare die | N |
| PCA85133U | 80 | 160 | 240 | 320 | - | - | - | 1.8 to 5.5 | 2.5 to 8 | 82, 110 ^[2] | N | N | -40 to 95 | I ² C | bare die | Y |
| PCA85233U | 80 | 160 | 240 | 320 | - | - | - | 1.8 to 5.5 | 2.5 to 8 | 150, 220 ^[2] | N | N | -40 to 105 | I ² C | bare die | Y |
| PCA8530DUG ^[5] | 102 | 204 | - | 408 | - | - | - | 2.5 to 5.5 | 4 to 12 | 45 to 300 ^[1] | Y | Y ^[3] | -40 to 105 | I ² C, SPI | bare die | Y |
| PCF85132U | 160 | 320 | 480 | 640 | - | - | - | 1.8 to 5.5 | 1.8 to 8 | 60 to 90 ^[1] | N | N | -40 to 85 | I ² C | bare die | N |
| PCA85132U | 160 | 320 | 480 | 640 | - | - | - | 1.8 to 5.5 | 1.8 to 8 | 60 to 90 ^[1] | N | N | -40 to 95 | I ² C | bare die | Y |
| PCA85232U | 160 | 320 | 480 | 640 | - | - | - | 1.8 to 5.5 | 1.8 to 8 | 117 to 176 ^[1] | N | N | -40 to 95 | I ² C | bare die | Y |
| PCF8538UG | 102 | 204 | - | 408 | 612 | 816 | 918 | 2.5 to 5.5 | 4 to 12 | 45 to 300 ^[1] | Y | Y ^[3] | -40 to 85 | I ² C, SPI ^[2] | bare die | N |
| PCA8538UG | 102 | 204 | - | 408 | 612 | 816 | 918 | 2.5 to 5.5 | 4 to 12 | 45 to 300 ^[1] | Y | Y ^[3] | -40 to 105 | I ² C, SPI ^[2] | bare die | Y |

[1] Can be selected by command.

[2] Can be selected by pin configuration.

- [3] Extra feature: Temperature sensor.
- [4] Extra feature: 6 PWM channels.
- [5] In development.

PCF8576C

Product data sheet

All information provided in this document is subject to legal disclaimers.

Rev. 13 — 16 December 2013

© NXP B.V. 2013. All rights reserved.

54 of 62

20. Abbreviations

Table 25. Abbreviations

| Acronym | Description |
|------------------|----------------------------|
| CDM | Charged-Device Model |
| DC | Direct Current |
| HBM | Human Body Model |
| I ² C | Inter-Integrated Circuit |
| IC | Integrated Circuit |
| LCD | Liquid Crystal Display |
| LSB | Least Significant Bit |
| MM | Machine Model |
| MOS | Metal-Oxide Semiconductor |
| MSB | Most Significant Bit |
| MSL | Moisture Sensitivity Level |
| PCB | Printed-Circuit Board |
| POR | Power-On Reset |
| RC | Resistance-Capacitance |
| RAM | Random Access Memory |
| RMS | Root Mean Square |
| SCL | Serial CLock line |
| SDA | Serial DATa line |
| SMD | Surface-Mount Device |

21. References

- [1] **AN10170** — Design guidelines for COG modules with NXP monochrome LCD drivers
- [2] **AN10365** — Surface mount reflow soldering description
- [3] **AN10706** — Handling bare die
- [4] **AN11267** — EMC and system level ESD design guidelines for LCD drivers
- [5] **IEC 60134** — Rating systems for electronic tubes and valves and analogous semiconductor devices
- [6] **IEC 61340-5** — Protection of electronic devices from electrostatic phenomena
- [7] **IPC/JEDEC J-STD-020D** — Moisture/Reflow Sensitivity Classification for Nonhermetic Solid State Surface Mount Devices
- [8] **JESD22-A114** — Electrostatic Discharge (ESD) Sensitivity Testing Human Body Model (HBM)
- [9] **JESD22-A115** — Electrostatic Discharge (ESD) Sensitivity Testing Machine Model (MM)
- [10] **JESD22-C101** — Field-Induced Charged-Device Model Test Method for Electrostatic-Discharge-Withstand Thresholds of Microelectronic Components
- [11] **JESD78** — IC Latch-Up Test
- [12] **UM10204** — I²C-bus specification and user manual
- [13] **UM10569** — Store and transport requirements

22. Revision history

Table 26. Revision history

| Document ID | Release date | Data sheet status | Change notice | Supersedes |
|----------------|--|-----------------------|---------------|---------------|
| PCF8576C v.13 | 20131216 | Product data sheet | - | PCF8576C v.12 |
| Modifications: | <ul style="list-style-type: none"> • Changed product ordering information • Enhanced the description of connecting segment and backplane outputs in a cascade (Section 13) | | | |
| PCF8576C v.12 | 20130716 | Product data sheet | - | PCF8576C v.11 |
| PCF8576C v.11 | 20120330 | Product data sheet | - | PCF8576C v.10 |
| PCF8576C v.10 | 20100722 | Product data sheet | - | PCF8576C v.9 |
| PCF8576C v.9 | 20090709 | Product data sheet | - | PCF8576C v.8 |
| PCF8576C v.8 | 20041122 | Product specification | - | PCF8576C v.7 |
| PCF8576C v.7 | 20011002 | Product specification | - | PCF8576C v.6 |
| PCF8576C v.6 | 19980730 | Product specification | - | PCF8576C v.5 |
| PCF8576C v.5 | 19971114 | Product specification | - | PCF8576C v.4 |
| PCF8576C v.4 | 19970402 | Product specification | - | PCF8576C v.3 |
| PCF8576C v.3 | 19970203 | Product specification | - | PCF8576C v.2 |
| PCF8576C v.2 | 19961209 | Product specification | - | PCF8576C v.1 |
| PCF8576C v.1 | 19950630 | Product specification | - | - |

23. Legal information

23.1 Data sheet status

| Document status ^{[1][2]} | Product status ^[3] | Definition |
|-----------------------------------|-------------------------------|---|
| Objective [short] data sheet | Development | This document contains data from the objective specification for product development. |
| Preliminary [short] data sheet | Qualification | This document contains data from the preliminary specification. |
| Product [short] data sheet | Production | This document contains the product specification. |

[1] Please consult the most recently issued document before initiating or completing a design.

[2] The term 'short data sheet' is explained in section "Definitions".

[3] The product status of device(s) described in this document may have changed since this document was published and may differ in case of multiple devices. The latest product status information is available on the Internet at URL <http://www.nxp.com>.

23.2 Definitions

Draft — The document is a draft version only. The content is still under internal review and subject to formal approval, which may result in modifications or additions. NXP Semiconductors does not give any representations or warranties as to the accuracy or completeness of information included herein and shall have no liability for the consequences of use of such information.

Short data sheet — A short data sheet is an extract from a full data sheet with the same product type number(s) and title. A short data sheet is intended for quick reference only and should not be relied upon to contain detailed and full information. For detailed and full information see the relevant full data sheet, which is available on request via the local NXP Semiconductors sales office. In case of any inconsistency or conflict with the short data sheet, the full data sheet shall prevail.

Product specification — The information and data provided in a Product data sheet shall define the specification of the product as agreed between NXP Semiconductors and its customer, unless NXP Semiconductors and customer have explicitly agreed otherwise in writing. In no event however, shall an agreement be valid in which the NXP Semiconductors product is deemed to offer functions and qualities beyond those described in the Product data sheet.

23.3 Disclaimers

Limited warranty and liability — Information in this document is believed to be accurate and reliable. However, NXP Semiconductors does not give any representations or warranties, expressed or implied, as to the accuracy or completeness of such information and shall have no liability for the consequences of use of such information. NXP Semiconductors takes no responsibility for the content in this document if provided by an information source outside of NXP Semiconductors.

In no event shall NXP Semiconductors be liable for any indirect, incidental, punitive, special or consequential damages (including - without limitation - lost profits, lost savings, business interruption, costs related to the removal or replacement of any products or rework charges) whether or not such damages are based on tort (including negligence), warranty, breach of contract or any other legal theory.

Notwithstanding any damages that customer might incur for any reason whatsoever, NXP Semiconductors' aggregate and cumulative liability towards customer for the products described herein shall be limited in accordance with the *Terms and conditions of commercial sale* of NXP Semiconductors.

Right to make changes — NXP Semiconductors reserves the right to make changes to information published in this document, including without limitation specifications and product descriptions, at any time and without notice. This document supersedes and replaces all information supplied prior to the publication hereof.

Suitability for use — NXP Semiconductors products are not designed, authorized or warranted to be suitable for use in life support, life-critical or safety-critical systems or equipment, nor in applications where failure or malfunction of an NXP Semiconductors product can reasonably be expected to result in personal injury, death or severe property or environmental damage. NXP Semiconductors and its suppliers accept no liability for inclusion and/or use of NXP Semiconductors products in such equipment or applications and therefore such inclusion and/or use is at the customer's own risk.

Applications — Applications that are described herein for any of these products are for illustrative purposes only. NXP Semiconductors makes no representation or warranty that such applications will be suitable for the specified use without further testing or modification.

Customers are responsible for the design and operation of their applications and products using NXP Semiconductors products, and NXP Semiconductors accepts no liability for any assistance with applications or customer product design. It is customer's sole responsibility to determine whether the NXP Semiconductors product is suitable and fit for the customer's applications and products planned, as well as for the planned application and use of customer's third party customer(s). Customers should provide appropriate design and operating safeguards to minimize the risks associated with their applications and products.

NXP Semiconductors does not accept any liability related to any default, damage, costs or problem which is based on any weakness or default in the customer's applications or products, or the application or use by customer's third party customer(s). Customer is responsible for doing all necessary testing for the customer's applications and products using NXP Semiconductors products in order to avoid a default of the applications and the products or of the application or use by customer's third party customer(s). NXP does not accept any liability in this respect.

Limiting values — Stress above one or more limiting values (as defined in the Absolute Maximum Ratings System of IEC 60134) will cause permanent damage to the device. Limiting values are stress ratings only and (proper) operation of the device at these or any other conditions above those given in the Recommended operating conditions section (if present) or the Characteristics sections of this document is not warranted. Constant or repeated exposure to limiting values will permanently and irreversibly affect the quality and reliability of the device.

Terms and conditions of commercial sale — NXP Semiconductors products are sold subject to the general terms and conditions of commercial sale, as published at <http://www.nxp.com/profile/terms>, unless otherwise agreed in a valid written individual agreement. In case an individual agreement is concluded only the terms and conditions of the respective agreement shall apply. NXP Semiconductors hereby expressly objects to applying the customer's general terms and conditions with regard to the purchase of NXP Semiconductors products by customer.

No offer to sell or license — Nothing in this document may be interpreted or construed as an offer to sell products that is open for acceptance or the grant, conveyance or implication of any license under any copyrights, patents or other industrial or intellectual property rights.

Export control — This document as well as the item(s) described herein may be subject to export control regulations. Export might require a prior authorization from competent authorities.

Non-automotive qualified products — Unless this data sheet expressly states that this specific NXP Semiconductors product is automotive qualified, the product is not suitable for automotive use. It is neither qualified nor tested in accordance with automotive testing or application requirements. NXP Semiconductors accepts no liability for inclusion and/or use of non-automotive qualified products in automotive equipment or applications.

In the event that customer uses the product for design-in and use in automotive applications to automotive specifications and standards, customer (a) shall use the product without NXP Semiconductors' warranty of the product for such automotive applications, use and specifications, and (b) whenever customer uses the product for automotive applications beyond NXP Semiconductors' specifications such use shall be solely at customer's own risk, and (c) customer fully indemnifies NXP Semiconductors for any liability, damages or failed product claims resulting from customer design and use of the product for automotive applications beyond NXP Semiconductors' standard warranty and NXP Semiconductors' product specifications.

Translations — A non-English (translated) version of a document is for reference only. The English version shall prevail in case of any discrepancy between the translated and English versions.

Bare die — All die are tested on compliance with their related technical specifications as stated in this data sheet up to the point of wafer sawing and are handled in accordance with the NXP Semiconductors storage and transportation conditions. If there are data sheet limits not guaranteed, these will be separately indicated in the data sheet. There are no post-packing tests performed on individual die or wafers.

NXP Semiconductors has no control of third party procedures in the sawing, handling, packing or assembly of the die. Accordingly, NXP Semiconductors assumes no liability for device functionality or performance of the die or systems after third party sawing, handling, packing or assembly of the die. It is the responsibility of the customer to test and qualify their application in which the die is used.

All die sales are conditioned upon and subject to the customer entering into a written die sale agreement with NXP Semiconductors through its legal department.

23.4 Trademarks

Notice: All referenced brands, product names, service names and trademarks are the property of their respective owners.

I²C-bus — logo is a trademark of NXP B.V.

24. Contact information

For more information, please visit: <http://www.nxp.com>

For sales office addresses, please send an email to: salesaddresses@nxp.com

25. Tables

| | | |
|-----------|--|----|
| Table 1. | Ordering information | 2 |
| Table 2. | Ordering options | 2 |
| Table 3. | Marking codes | 2 |
| Table 4. | Pin description | 7 |
| Table 5. | Selection of possible display configurations | 8 |
| Table 6. | Biasing characteristics | 10 |
| Table 7. | LCD frame frequencies [1] | 18 |
| Table 8. | Blink frequencies | 23 |
| Table 9. | Definition of PCF8576C commands | 27 |
| Table 10. | Mode-set command bit description | 28 |
| Table 11. | Load-data-pointer command bit description | 28 |
| Table 12. | Device-select command bit description | 28 |
| Table 13. | Bank-select command bit description | 29 |
| Table 14. | Blink-select command bit description | 29 |
| Table 15. | Limiting values | 31 |
| Table 16. | Static characteristics | 32 |
| Table 17. | Dynamic characteristics | 35 |
| Table 18. | Addressing cascaded PCF8576C | 37 |
| Table 19. | Pad and bump description for PCF8576CU | 45 |
| Table 20. | Alignment marks | 46 |
| Table 21. | Description of tray details | 48 |
| Table 22. | SnPb eutectic process (from J-STD-020D) | 50 |
| Table 23. | Lead-free process (from J-STD-020D) | 50 |
| Table 24. | Selection of LCD segment drivers | 52 |
| Table 25. | Abbreviations | 55 |
| Table 26. | Revision history | 57 |

26. Figures

| | | |
|---------|--|----|
| Fig 1. | Block diagram of PCF8576C | 3 |
| Fig 2. | Pin configuration for LQFP64 (PCF8576CHL/1) | 4 |
| Fig 3. | Pin configuration for VSO56 (PCF8576CT/1) | 5 |
| Fig 4. | Pin locations of PCF8576CU/F1 and PCF8576CU/2/F2 | 6 |
| Fig 5. | Example of displays suitable for PCF8576C | 8 |
| Fig 6. | Typical system configuration | 9 |
| Fig 7. | Electro-optical characteristic: relative transmission curve of the liquid | 12 |
| Fig 8. | Static drive mode waveforms | 13 |
| Fig 9. | Waveforms for the 1:2 multiplex drive mode with $\frac{1}{2}$ bias | 14 |
| Fig 10. | Waveforms for the 1:2 multiplex drive mode with $\frac{1}{3}$ bias | 15 |
| Fig 11. | Waveforms for the 1:3 multiplex drive mode with $\frac{1}{3}$ bias | 16 |
| Fig 12. | Waveforms for the 1:4 multiplex mode with $\frac{1}{3}$ bias | 17 |
| Fig 13. | Display RAM bit map | 20 |
| Fig 14. | Relationship between LCD layout, drive mode, display RAM filling order, and display data transmitted over the I ² C-bus | 21 |
| Fig 15. | Bit transfer | 24 |
| Fig 16. | Definition of START and STOP conditions | 24 |
| Fig 17. | System configuration | 25 |
| Fig 18. | Acknowledgement of the I ² C-bus | 25 |
| Fig 19. | I ² C-bus protocol | 27 |
| Fig 20. | General format of the command byte | 27 |
| Fig 21. | Device protection diagram | 30 |
| Fig 22. | I _{SS} as a function of f _{fr} | 33 |
| Fig 23. | I _{DD(LCD)} as a function of f _{fr} | 33 |
| Fig 24. | I _{SS} as a function of V _{DD} | 34 |
| Fig 25. | I _{DD(LCD)} as a function of V _{DD} | 34 |
| Fig 26. | R _{O(max)} as a function of V _{DD} | 34 |
| Fig 27. | R _{O(max)} as a function of T _{amb} | 34 |
| Fig 28. | Driver timing waveforms | 36 |
| Fig 29. | I ² C-bus timing waveforms | 36 |
| Fig 30. | Cascaded PCF8576C configuration | 38 |
| Fig 31. | Synchronization of the cascade for the various PCF8576C drive modes | 39 |
| Fig 32. | Single plane wiring of packaged PCF8576CT | 40 |
| Fig 33. | Package outline SOT314-2 (LQFP64) of PCF8576CHL/1 | 41 |
| Fig 34. | Package outline SOT190-1 (VSO56) of PCF8576CT/1 | 42 |
| Fig 35. | Bare die outline of PCF8576CU/2/F2 | 43 |
| Fig 36. | Bare die outline of PCF8576CU/F1 | 44 |
| Fig 37. | Tray details | 47 |
| Fig 38. | Tray alignment | 48 |
| Fig 39. | Temperature profiles for large and small components | 51 |

27. Contents

| | | | | | |
|----------|---|----------|-----------|--|-----------|
| 1 | General description | 1 | 7.18.5 | Blink-select command | 29 |
| 2 | Features and benefits | 1 | 7.19 | Display controller | 29 |
| 3 | Ordering information | 2 | 8 | Internal circuitry | 30 |
| 3.1 | Ordering options | 2 | 9 | Safety notes | 30 |
| 4 | Marking | 2 | 10 | Limiting values | 31 |
| 5 | Block diagram | 3 | 11 | Static characteristics | 32 |
| 6 | Pinning information | 4 | 11.1 | Typical supply current characteristics | 33 |
| 6.1 | Pinning | 4 | 11.2 | Typical LCD output characteristics | 34 |
| 6.2 | Pin description | 7 | 12 | Dynamic characteristics | 35 |
| 7 | Functional description | 8 | 13 | Application information | 37 |
| 7.1 | Power-On-Reset (POR) | 9 | 13.1 | Cascaded operation | 37 |
| 7.2 | LCD bias generator | 9 | 14 | Package outline | 41 |
| 7.3 | LCD voltage selector | 9 | 15 | Bare die outline | 43 |
| 7.3.1 | Electro-optical performance | 11 | 16 | Handling information | 47 |
| 7.4 | LCD drive mode waveforms | 13 | 17 | Packing information | 47 |
| 7.4.1 | Static drive mode | 13 | 17.1 | Tray information | 47 |
| 7.4.2 | 1:2 Multiplex drive mode | 14 | 18 | Soldering of SMD packages | 49 |
| 7.4.3 | 1:3 Multiplex drive mode | 16 | 18.1 | Introduction to soldering | 49 |
| 7.4.4 | 1:4 multiplex drive mode | 17 | 18.2 | Wave and reflow soldering | 49 |
| 7.5 | Oscillator | 18 | 18.3 | Wave soldering | 49 |
| 7.5.1 | Internal clock | 18 | 18.4 | Reflow soldering | 50 |
| 7.5.2 | External clock | 18 | 19 | Appendix | 52 |
| 7.6 | Timing | 18 | 19.1 | LCD segment driver selection | 52 |
| 7.7 | Display register | 19 | 20 | Abbreviations | 55 |
| 7.8 | Shift register | 19 | 21 | References | 56 |
| 7.9 | Segment outputs | 19 | 22 | Revision history | 57 |
| 7.10 | Backplane outputs | 19 | 23 | Legal information | 58 |
| 7.11 | Display RAM | 19 | 23.1 | Data sheet status | 58 |
| 7.12 | Data pointer | 22 | 23.2 | Definitions | 58 |
| 7.13 | Sub-address counter | 22 | 23.3 | Disclaimers | 58 |
| 7.14 | Bank selector | 23 | 23.4 | Trademarks | 59 |
| 7.14.1 | Output bank selector | 23 | 24 | Contact information | 59 |
| 7.14.2 | Input bank selector | 23 | 25 | Tables | 60 |
| 7.15 | Blinking | 23 | 26 | Figures | 61 |
| 7.16 | Characteristics of the I ² C-bus | 24 | 27 | Contents | 62 |
| 7.16.1 | Bit transfer | 24 | | | |
| 7.16.2 | START and STOP conditions | 24 | | | |
| 7.16.3 | System configuration | 24 | | | |
| 7.16.4 | Acknowledge | 25 | | | |
| 7.16.5 | PCF8576C I ² C-bus controller | 26 | | | |
| 7.16.6 | Input filter | 26 | | | |
| 7.17 | I ² C-bus protocol | 26 | | | |
| 7.18 | Command decoder | 27 | | | |
| 7.18.1 | Mode-set command | 28 | | | |
| 7.18.2 | Load-data-pointer command | 28 | | | |
| 7.18.3 | Device-select command | 28 | | | |
| 7.18.4 | Bank-select command | 29 | | | |

Please be aware that important notices concerning this document and the product(s) described herein, have been included in section 'Legal information'.

© NXP B.V. 2013.

All rights reserved.

For more information, please visit: <http://www.nxp.com>

For sales office addresses, please send an email to: salesaddresses@nxp.com

Date of release: 16 December 2013

Document identifier: PCF8576C

Компания «Океан Электроники» предлагает заключение долгосрочных отношений при поставках импортных электронных компонентов на взаимовыгодных условиях!

Наши преимущества:

- Поставка оригинальных импортных электронных компонентов напрямую с производств Америки, Европы и Азии, а так же с крупнейших складов мира;
- Широкая линейка поставок активных и пассивных импортных электронных компонентов (более 30 млн. наименований);
- Поставка сложных, дефицитных, либо снятых с производства позиций;
- Оперативные сроки поставки под заказ (от 5 рабочих дней);
- Экспресс доставка в любую точку России;
- Помощь Конструкторского Отдела и консультации квалифицированных инженеров;
- Техническая поддержка проекта, помощь в подборе аналогов, поставка прототипов;
- Поставка электронных компонентов под контролем ВП;
- Система менеджмента качества сертифицирована по Международному стандарту ISO 9001;
- При необходимости вся продукция военного и аэрокосмического назначения проходит испытания и сертификацию в лаборатории (по согласованию с заказчиком);
- Поставка специализированных компонентов военного и аэрокосмического уровня качества (Xilinx, Altera, Analog Devices, Intersil, Interpoint, Microsemi, Actel, Aeroflex, Peregrine, VPT, Syfer, Eurofarad, Texas Instruments, MS Kennedy, Miteq, Cobham, E2V, MA-COM, Hittite, Mini-Circuits, General Dynamics и др.);

Компания «Океан Электроники» является официальным дистрибьютором и эксклюзивным представителем в России одного из крупнейших производителей разъемов военного и аэрокосмического назначения «JONHON», а так же официальным дистрибьютором и эксклюзивным представителем в России производителя высокотехнологичных и надежных решений для передачи СВЧ сигналов «FORSTAR».



JONHON

«JONHON» (основан в 1970 г.)

Разъемы специального, военного и аэрокосмического назначения:

(Применяются в военной, авиационной, аэрокосмической, морской, железнодорожной, горно- и нефтедобывающей отраслях промышленности)

«FORSTAR» (основан в 1998 г.)

ВЧ соединители, коаксиальные кабели, кабельные сборки и микроволновые компоненты:

(Применяются в телекоммуникациях гражданского и специального назначения, в средствах связи, РЛС, а так же военной, авиационной и аэрокосмической отраслях промышленности).



Телефон: 8 (812) 309-75-97 (многоканальный)

Факс: 8 (812) 320-03-32

Электронная почта: ocean@oceanchips.ru

Web: <http://oceanchips.ru/>

Адрес: 198099, г. Санкт-Петербург, ул. Калинина, д. 2, корп. 4, лит. А