

Note: All part numbers are RoHS Compliant.

Table of Contents—Europa

Overview (Selector Chart)214, 215
 (Catalog Numbering Code)216
 (Introduction)217

Europa—Tubular Screw Barrier Strips218-233

8mm [.315] Pitch, 30A, Series TSB230218-220
 10mm [.394] Pitch, 30A, Series TSB500221-224
 10mm [.394] Pitch, Fused Blocks, Series 503Si225
 12mm [.472] Pitch, 40-50A, Series TSB1000226
 12mm [.472] Pitch, Fused Blocks, Series 1003Si229
 13.5mm [.531] Pitch, 40A, Series TSB1500230
 14.5mm [.571] Pitch, 65A, Series TSB2000231-233
 Accessories234-237

Europa Terminal
Blocks
5

Europa Selector Chart

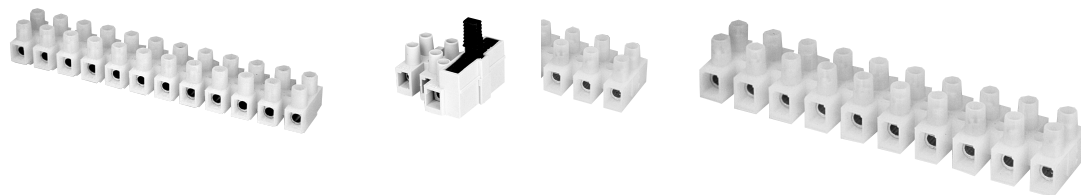
Panel Mounted Modular Blocks



| Series | TSB230 | TSB230...HT | TSB500 | TSB500...HT | TSB500SK | 500Si | 503Si |
|-----------------------------|--------------|--------------|---------------|---------------|---------------|--------------------------|---------------|
| Pitch (mm) (in.) | 8mm .315" | 8mm .315" | 10mm .394" | 10mm .394" | 10mm .394" | 10, 12mm .394", .472" | 10mm .394" |
| Circuits | 1-12 | 1-12 | 1-12 | 1-12 | 1-12 | 1 | 1-5 |
| Max. Current | | | | | | | |
| Wire protector | 30A | 30A | 30A | 30A | 30A | — | 10A |
| Tunnel connection | 30A | — | 40A | — | 30A | 10A | 10A |
| Max. Voltage | 250V | 250V | 250V | 250V | 600V | 250V | 250V |
| Wire Range (AWG) | | | | | | | |
| Wire protector | 12-26 | 12-26 | 10-24 | 12-24 | 12-24 | — | 12-22 |
| Tunnel connection | 12-24 | — | 10-22 | — | 10-22 | 12-22 | 12-22 |
| Flammability | UL94V-2 | UL94V-0 | UL94V-2 | UL94V-0 | UL94V-2 | UL94V-2 | UL94V-2 |
| Max. Temp. | 100° C | 150° C | 100° C | 150° C | 100° C | 100° C | 100° C |
| Page | 218, 219 | 220 | 221 | 223 | 224 | 234 | 225 |

Europa Selector Chart (Continued)

Panel Mounted Modular Blocks

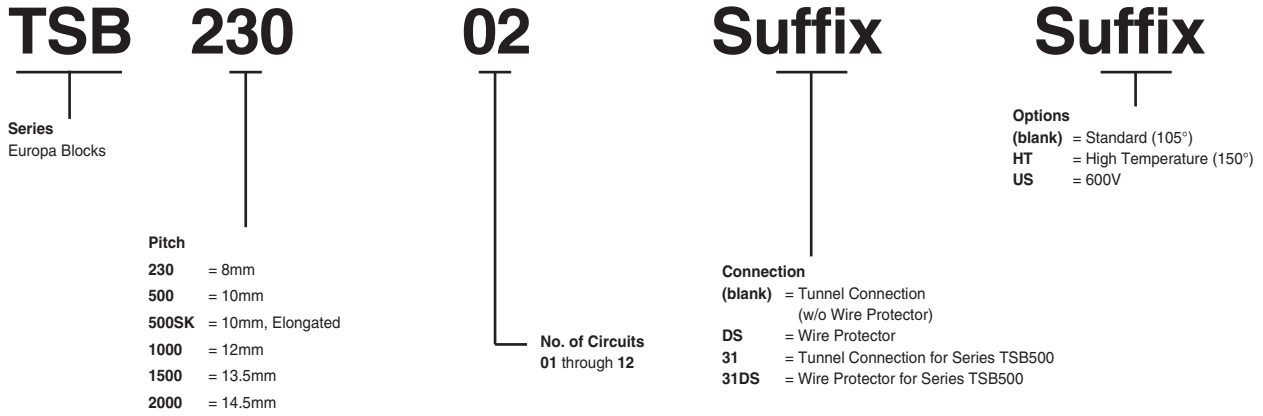


| Series | TSB1000 | TSB1000...HT | 1003Si | TSB1500 | TSB2000 | TSB2000...HT | TSB2000...US |
|-----------------------------|---------------|---------------|----------------------|-----------------|-----------------|-----------------|-----------------|
| Pitch (mm) (in.) | 12mm .472" | 12mm .472" | 7/12mm .275-.472" | 13.5mm .532" | 14.5mm .571" | 14.5mm .571" | 14.5mm .571" |
| Circuits | 1-12 | 1-12 | 1-5 | 1-12 | 1-12 | 1-12 | 1-12 |
| Max. Current | | | | | | | |
| Wire protector | 40A | 40A | 16A | 40A | 65A | 65A | 65A |
| Tunnel connection | 40A | — | 16A | 40A | 65A | 65A | 65A |
| Max. Voltage | 250V | 250V | 250V | 300V | 300V | 300V | 600V |
| Wire Range (AWG) | | | | | | | |
| Wire protector | 10-22 | 10-24 | 10-24 | 8-18 | 6-14 | 6-14 | 6-14 |
| Tunnel connection | 8-22 | — | 8-22 | 8-16 | 6-14 | 6-14 | 6-14 |
| Flammability | UL94V-2 | UL94V-0 | UL94V-2 | UL94V-2 | UL94V-2 | UL94V-0 | UL94V-2 |
| Max. Temp. | 100° C | 150° C | 100° C | 100° C | 100° C | 150° C | 100° C |
| Page | 226, 227 | 228 | 229 | 230 | 231 | 232 | 233 |

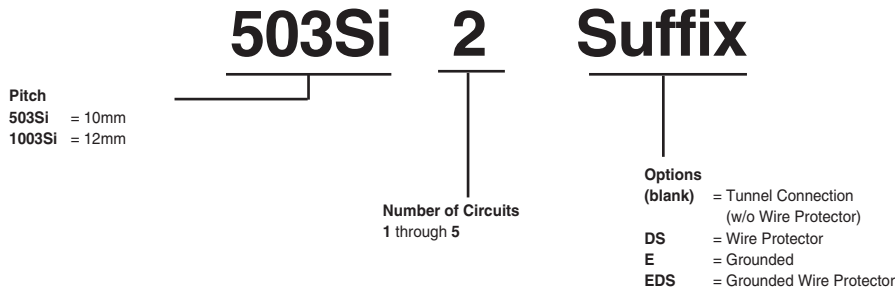
Note: All part numbers are RoHS Compliant.

Catalog Numbering Code

Europa Blocks



Fused Europa Blocks

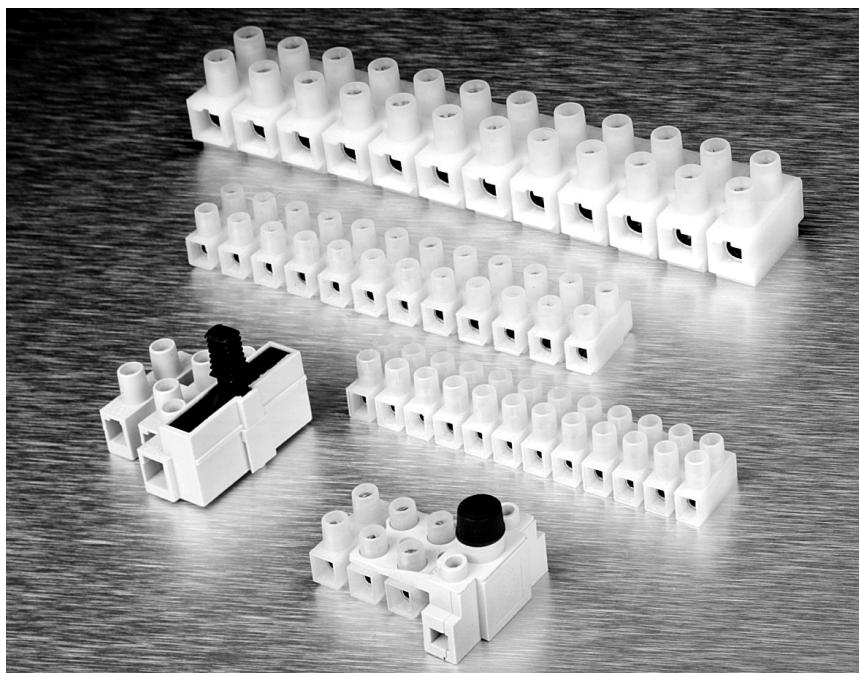


Note: Some catalog number combinations are not valid. Check appropriate catalog pages before ordering.

Europa Blocks

Product Facts

- n **Modular design** — cut into smaller sections without altering electrical properties or order product molded to length. Mounting holes between every circuit.
- n **Tubular contacts** — connect stripped, unterminated solid or stranded wire directly to each contact — no wire lugs needed.
- n **High voltage and current ratings** — rated up to 600 volts and up to 65 amps depending on model and wire size used.
- n **Broad Wire Range** — use wire from #6 to #26 AWG depending on model selected.
- n **Wire protectors** — all models available with wire protectors to virtually eliminate twisting and breakage of stranded wire during connection.
- n **High circuit density** — five models provide from 21 to 38 circuits per foot.
- n **“Dead-front” construction** — both screws and tubular contacts are recessed in housing for safety and to help prevent short circuits.
- n **Captive screws** — zinc with chromate plated steel screws are captive in tin plated brass contacts. They are supplied “backed-out” and ready to wire.
- n **Flammability rating of UL94V-2 is standard. High Temperature versions with UL94V-0 are available.**
- n **Wire stop available on some versions.**



Tyco Electronics Corporation offers the most extensive line of Europa products in five pitches:

- n 8mm [.315]
- n 10mm [.394]
- n 12mm [.472]
- n 13.5mm [.531]
- n 14.5mm [.571]

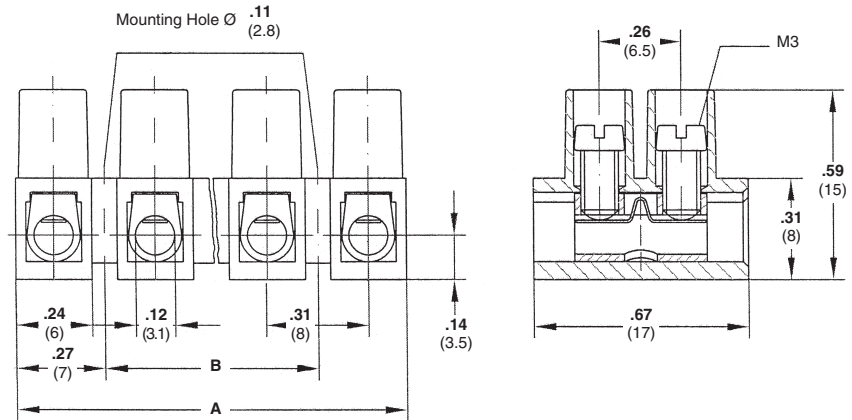
Two connection styles are available. The Wire Protector version supplies a plate to shield the wire from being cut by the screw. The Tunnel connection is the same design, but without the shielding plate – it is ideal for solid wire or where the most economical price is required.

Applications include:

- n Motor Controls
- n Power Supplies
- n Telecom
- n Valve Actuators
- n Spa Controllers
- n Lighting

Note: All part numbers are RoHS Compliant.

8mm [.315] Pitch, 30A with Wire Protector—Series TSB230



Material & Finish

- Housing Material**—Polyamide 6
- Flammability**—UL94V-2
- Color**—natural (off white)
- Tubular Contact**—Brass, tin plated
- Screw**—Steel, M3
- Screw Plating**—Zinc with chromate
- Wire Protector**—Stainless steel

Mechanical Properties

- Pitch (terminal spacing)**—8mm [.315"]
- Wire Strip Length**—5mm [0.20"]
- Min. Wire Pull-Out Force**—75lbs.
- Recommended Tightening Torque**—5in.- lbs.
- Recommended Screwdrivers**—Stanley 1016, Sears Craftsman 41429, Xcelite R184

Electrical Properties

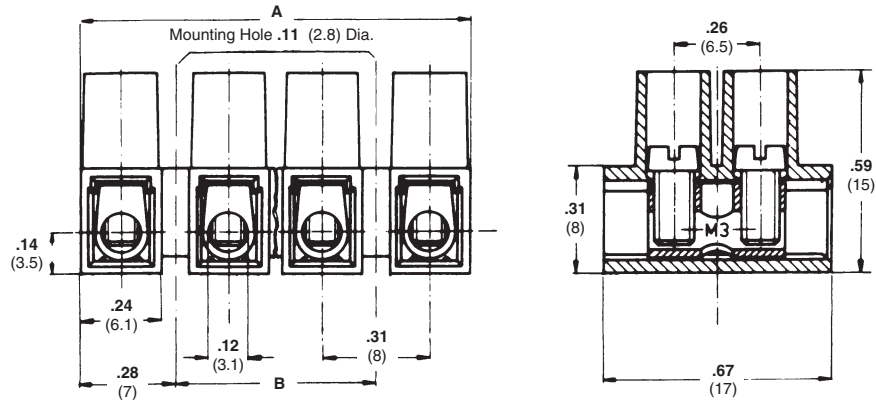
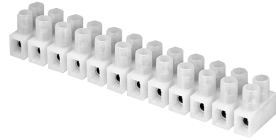
- Maximum Current**—30A
- Operating Voltage**—250V
- Wire Range**—12-26 AWG
- Dielectric Withstand**—3000V

Environmental Properties

- Continuous Working Temperature**—-35°C to +100°C [-31°F to +212°F]

| No. of Positions | Dimensions | | Wire Protector | |
|------------------|------------|-----------|----------------|----------------|
| | A | B | Part Number | Catalog Number |
| 1 | 6 (.24) | — | 1776293-1 | TSB230 01DS |
| 2 | 14 (.55) | — | 1776293-2 | TSB230 02DS |
| 3 | 22 (.87) | 8 (.31) | 1776293-3 | TSB230 03DS |
| 4 | 30 (1.18) | 16 (.63) | 1776293-4 | TSB230 04DS |
| 5 | 38 (1.50) | 24 (.94) | 1776293-5 | TSB230 05DS |
| 6 | 46 (1.81) | 32 (1.26) | 1776293-6 | TSB230 06DS |
| 7 | 54 (2.13) | 40 (1.57) | 1776293-7 | TSB230 07DS |
| 8 | 62 (2.44) | 48 (1.89) | 1776293-8 | TSB230 08DS |
| 9 | 70 (2.76) | 56 (2.20) | 1776293-9 | TSB230 09DS |
| 10 | 78 (3.07) | 64 (2.52) | 1-1776293-0 | TSB230 10DS |
| 11 | 86 (3.39) | 72 (2.83) | 1-1776293-1 | TSB230 11DS |
| 12 | 94 (3.70) | 80 (3.15) | 1-1776293-2 | TSB230 12DS |

8mm [.315] Pitch, 30A, with Tunnel Connection—Series TSB230



Material & Finish

- Housing Material**—Polyamide 6
- Flammability**—UL94V-2
- Color**—natural (off white)
- Tubular Contact**—Brass, tin plated
- Screw**—Steel, M3
- Screw Plating**—Zinc with chromate

Mechanical Properties

- Pitch (terminal spacing)**—8mm [.315]
- Wire Strip Length**—5mm [0.20"]
- Min. Wire Pull-Out Force**—75lbs.

Recommended Tightening Torque—5in.-lbs.

Recommended Screwdrivers—Stanley 1016, Sears Craftsman 41429, Xcelite R184

Electrical Properties

- Maximum Current**—30A
- Operating Voltage**—250V
- Wire Range**—12-24 AWG
- Dielectric Withstand**—3000V

Environmental Properties

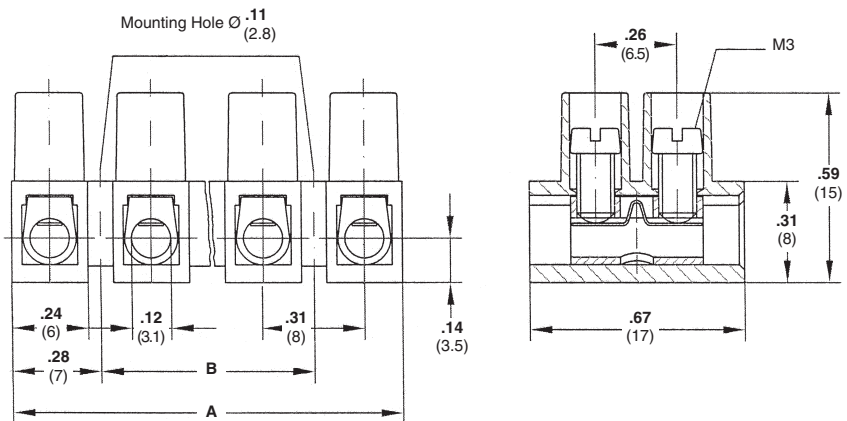
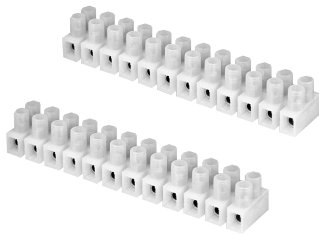
Continuous Working Temperature—-35°C to +100°C [-31°F to +212°F]

| No. of Positions | Dimensions | | Tunnel Connection | |
|------------------|------------|-----------|-------------------|----------------|
| | A | B | Part Number | Catalog Number |
| 1 | 6 (.24) | — | 1776294-1 | TSB230 01 |
| 2 | 14 (.55) | — | 1776294-2 | TSB230 02 |
| 3 | 22 (.87) | 8 (.31) | 1776294-3 | TSB230 03 |
| 4 | 30 (1.18) | 16 (.63) | 1776294-4 | TSB230 04 |
| 5 | 38 (1.50) | 24 (.94) | 1776294-5 | TSB230 05 |
| 6 | 46 (1.81) | 32 (1.26) | 1776294-6 | TSB230 06 |
| 7 | 54 (2.13) | 40 (1.57) | 1776294-7 | TSB230 07 |
| 8 | 62 (2.44) | 48 (1.89) | 1776294-8 | TSB230 08 |
| 9 | 70 (2.76) | 56 (2.20) | 1776294-9 | TSB230 09 |
| 10 | 78 (3.07) | 64 (2.52) | 1-1776294-0 | TSB230 10 |
| 11 | 86 (3.39) | 72 (2.83) | 1-1776294-1 | TSB230 11 |
| 12 | 94 (3.70) | 80 (3.15) | 1-1776294-2 | TSB230 12 |



Note: All part numbers are RoHS Compliant.

8mm [.315] Pitch, 30A, High Temperature—Series TSB230...HT



Material & Finish

- Housing Material**—Polyamide 6/6
- Flammability**—UL94V-0
- Housing Color**—Brown
- Tubular Contact**—Brass, tin plated
- Screw**—Steel, M3
- Screw Plating**—Zinc with chromate
- Wire Protector**—Stainless steel

Mechanical Properties

- Pitch (terminal spacing)**—8mm [.315]
- Wire Strip Length**—5mm [0.20"]
- Min. Wire Pull-Out Force**—75lbs.
- Recommended Tightening Torque**—5in.- lbs.
- Recommended Screwdrivers**—Stanley 1016, Sears Craftsman 41429, Xcelite R184

Electrical Properties

- Maximum Current**—30A
- Operating Voltage**—250V
- Wire Range**—12-26 AWG
- Dielectric Withstand**—3000V

Environmental Properties

- Continuous Working Temperature**—-35°C to +150°C [-31°F to +302°F]

| No. of Positions | Dimensions | | Wire Protector | |
|------------------|------------|-----------|----------------|----------------|
| | A | B | Part Number | Catalog Number |
| 1 | 6 (.24) | — | 1776295-1 | TSB230 01DS HT |
| 2 | 14 (.55) | — | 1776295-2 | TSB230 02DS HT |
| 3 | 22 (.87) | 8 (.31) | 1776295-3 | TSB230 03DS HT |
| 4 | 30 (1.18) | 16 (.63) | 1776295-4 | TSB230 04DS HT |
| 5 | 38 (1.50) | 24 (.94) | 1776295-5 | TSB230 05DS HT |
| 6 | 46 (1.81) | 32 (1.26) | 1776295-6 | TSB230 06DS HT |
| 7 | 54 (2.13) | 40 (1.57) | 1776295-7 | TSB230 07DS HT |
| 8 | 62 (2.44) | 48 (1.89) | 1776295-8 | TSB230 08DS HT |
| 9 | 70 (2.76) | 56 (2.20) | 1776295-9 | TSB230 09DS HT |
| 10 | 78 (3.07) | 64 (2.52) | 1-1776295-0 | TSB230 10DS HT |
| 11 | 86 (3.39) | 72 (2.83) | 1-1776295-1 | TSB230 11DS HT |
| 12 | 94 (3.70) | 80 (3.15) | 1-1776295-2 | TSB230 12DS HT |

Note: Minimum order quantities may apply.



Note: All part numbers are RoHS Compliant.

10mm [.394] Pitch, 30A with Wire Protector—Series TSB500



Material & Finish

- Housing Material**—Polyamide 6
- Flammability**—UL94V-2
- Color**—Natural (off white)
- Tubular Contact**—Brass, tin plated
- Screw**—Steel, M3
- Screw Plating**—Zinc with chromate
- Wire Protector**—Stainless steel

Mechanical Properties

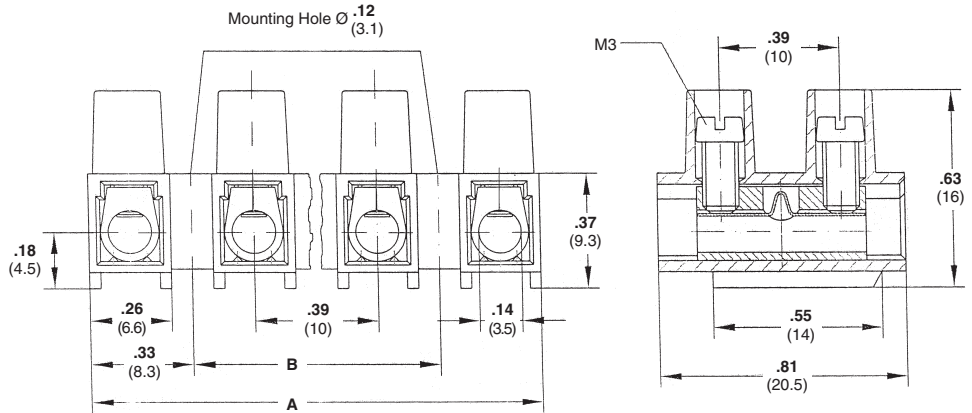
- Pitch (terminal spacing)**—10mm [.394]
- Wire Strip Length**—5mm [0.20"]
- Min. Wire Pull-Out Force**—75lbs.
- Recommended Tightening Torque**—5 in.-lbs.
- Recommended Screwdrivers**—Stanley 1016, Sears Craftsman 41429, Xcelite R184

Electrical Properties

- UL Maximum Current**—30A; 10-22 AWG
- CSA Maximum Current**—25A; 12-24 AWG
- Operating Voltage**—250V
- Dielectric Withstand**—3500V

Environmental Properties

- Continuous Working Temperature**—-35°C to +100°C [-31°F to +212°F]



| No. of Positions | Dimensions | | Wire Protector | |
|------------------|--------------|------------|----------------|----------------|
| | A | B | Part Number | Catalog Number |
| 1 | 6.6 (.26) | — | 1776296-1 | TSB500 0131DS |
| 2 | 16.6 (.65) | — | 1776296-2 | TSB500 0231DS |
| 3 | 26.6 (1.05) | 10 (.39) | 1776296-3 | TSB500 0331DS |
| 4 | 36.6 (1.44) | 20 (.79) | 1776296-4 | TSB500 0431DS |
| 5 | 46.6 (1.83) | 30 (1.18) | 1776296-5 | TSB500 0531DS |
| 6 | 56.6 (2.23) | 40 (1.57) | 1776296-6 | TSB500 0631DS |
| 7 | 66.6 (2.62) | 50 (1.97) | 1776296-7 | TSB500 0731DS |
| 8 | 76.6 (3.02) | 60 (2.36) | 1776296-8 | TSB500 0831DS |
| 9 | 86.6 (3.41) | 70 (2.76) | 1776296-9 | TSB500 0931DS |
| 10 | 96.6 (3.80) | 80 (3.15) | 1-1776296-0 | TSB500 1031DS |
| 11 | 106.6 (4.20) | 90 (3.54) | 1-1776296-1 | TSB500 1131DS |
| 12 | 116.6 (4.59) | 100 (3.94) | 1-1776296-2 | TSB500 1231DS |

Europa Terminal Blocks
5



Note: All part numbers are RoHS Compliant.

10mm [.394] Pitch, 30A with Tunnel Connection—Series TSB500



Material & Finish

- Housing Material**—Polyamide 6
- Flammability**—UL94V-2
- Color**—Natural (off white)
- Tubular Contact**—Brass, tin plated
- Screw**—Steel, M3
- Screw Plating**—Zinc with chromate

Mechanical Properties

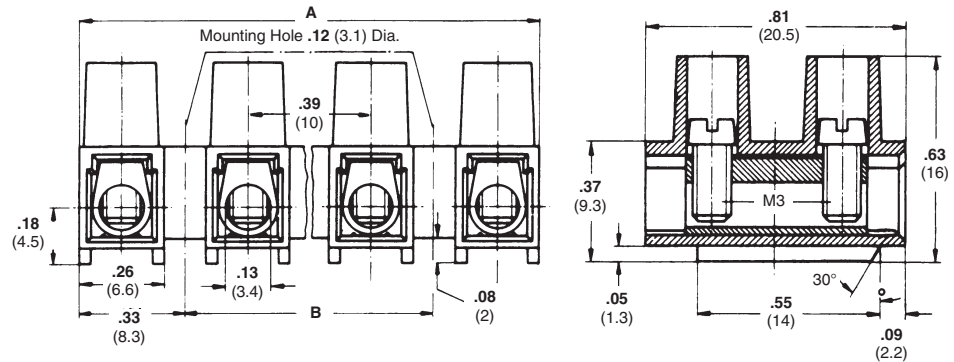
- Pitch (terminal spacing)**—10mm [.394]
- Wire Strip Length**—5mm [0.20"]
- Min. Wire Pull-Out Force**—75lbs.
- Recommended Tightening Torque**—5 in.-lbs.
- Recommended Screwdrivers**—Stanley 1016, Sears Craftsman 41429, Xcelite R184

Electrical Properties

- Maximum Current**—30A
- Operating Voltage**—250V
- Wire Range**—10-22 AWG
- Dielectric Withstand**—3500V

Environmental Properties

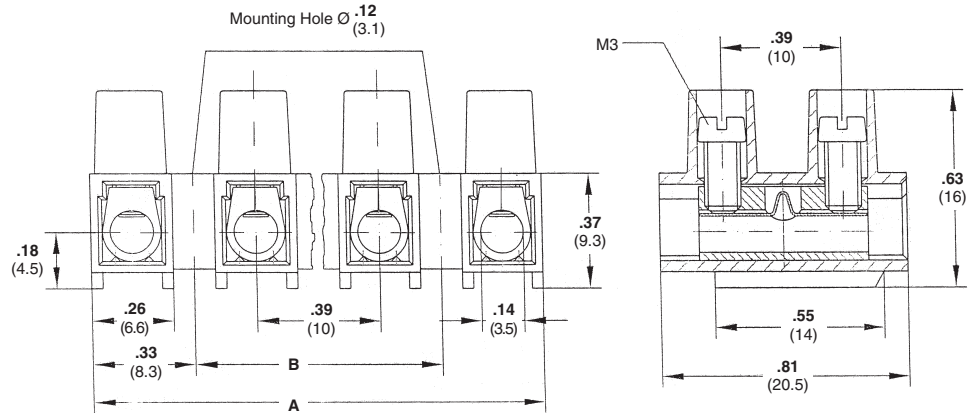
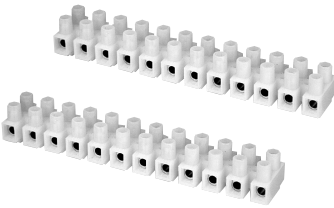
- Continuous Working Temperature**—-35°C to +100°C [-31°F to +212°F]



| No. of Positions | Dimensions | | Tunnel Connection | |
|------------------|--------------|------------|-------------------|----------------|
| | A | B | Part Number | Catalog Number |
| 1 | 6.6 (.26) | — | — | TSB500 0131 |
| 2 | 16.6 (.65) | — | 1776297-2 | TSB500 0231 |
| 3 | 26.6 (1.05) | 10 (.39) | 1776297-3 | TSB500 0331 |
| 4 | 36.6 (1.44) | 20 (.79) | 1776297-4 | TSB500 0431 |
| 5 | 46.6 (1.83) | 30 (1.18) | 1776297-5 | TSB500 0531 |
| 6 | 56.6 (2.23) | 40 (1.57) | 1776297-6 | TSB500 0631 |
| 7 | 66.6 (2.62) | 50 (1.97) | 1776297-7 | TSB500 0731 |
| 8 | 76.6 (3.02) | 60 (2.36) | 1776297-8 | TSB500 0831 |
| 9 | 86.6 (3.41) | 70 (2.76) | 1776297-9 | TSB500 0931 |
| 10 | 96.6 (3.80) | 80 (3.15) | 1-1776297-0 | TSB500 1031 |
| 11 | 106.6 (4.20) | 90 (3.54) | 1-1776297-1 | TSB500 1131 |
| 12 | 116.6 (4.59) | 100 (3.94) | 1-1776297-2 | TSB500 1231 |

Note: All part numbers are RoHS Compliant.

10mm [.394] Pitch, 30A High Temperature—Series TSB500...HT



Material & Finish

- Housing Material**—Polyamide 6/6
- Flammability**—UL94V-0
- Housing Color**—Brown
- Tubular Contact**—Brass, tin plated
- Screw**—Steel, M3
- Screw Plating**—Zinc with chromate
- Wire Protector**—Stainless steel

Mechanical Properties

- Pitch (terminal spacing)**—10mm [.394]
- Wire Strip Length**—5mm [0.20"]
- Min. Wire Pull-Out Force**—75lbs.
- Recommended Tightening Torque**—5 in.-lbs.
- Recommended Screwdrivers**—Stanley 1016, Sears Craftsman 41429, Xcelite R184
- Electrical Properties**
- Maximum Current**—30A
- Operating Voltage**—250V
- Wire Range**—12-24 AWG
- Dielectric Withstand**—3500V

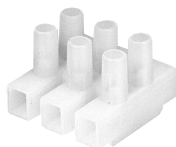
Environmental Properties

- Continuous Working Temperature**—-50°C to +160°C [-58°F to +320°F]

| No. of Positions | Dimensions | | Wire Protector | |
|------------------|--------------|------------|----------------|------------------|
| | A | B | Part Number | Catalog Number |
| 1 | 6.6 (.26) | — | 1776298-1 | TSB500 0131DS HT |
| 2 | 16.6 (.65) | — | 1776298-2 | TSB500 0231DS HT |
| 3 | 26.6 (1.05) | 10 (.39) | 1776298-3 | TSB500 0331DS HT |
| 4 | 36.6 (1.44) | 20 (.79) | 1776298-4 | TSB500 0431DS HT |
| 5 | 46.6 (1.83) | 30 (1.18) | 1776298-5 | TSB500 0531DS HT |
| 6 | 56.6 (2.23) | 40 (1.57) | 1776298-6 | TSB500 0631DS HT |
| 7 | 66.6 (2.62) | 50 (1.97) | 1776298-7 | TSB500 0731DS HT |
| 8 | 76.6 (3.02) | 60 (2.36) | 1776298-8 | TSB500 0831DS HT |
| 9 | 86.6 (3.41) | 70 (2.76) | 1776298-9 | TSB500 0931DS HT |
| 10 | 96.6 (3.80) | 80 (3.15) | 1-1776298-0 | TSB500 1031DS HT |
| 11 | 106.6 (4.20) | 90 (3.54) | 1-1776298-1 | TSB500 1131DS HT |
| 12 | 116.6 (4.59) | 100 (3.94) | 1-1776298-2 | TSB500 1231DS HT |

Note: Minimum order quantities may apply.



10mm [.394] Pitch, 30A Elongated Plastic—Series TSB500SK

Material & Finish

Housing Material—Polyamide 6
Flammability—UL94V-2
Color—natural (off white)
Tubular Contact—Brass, tin plated
Screw—Steel, M3
Screw Plating—Zinc with chromate
Wire Protector—Stainless steel

Mechanical Properties

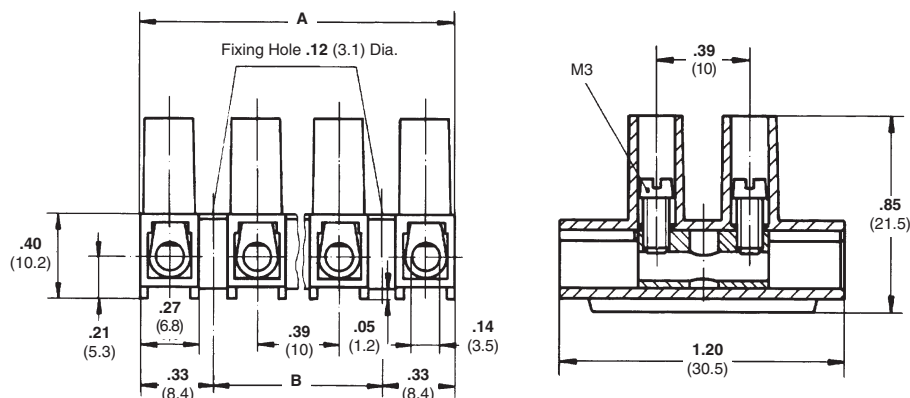
Pitch (terminal spacing)—
 10mm [.394"]
Wire Strip Length—5mm [0.20"]
Min. Wire Pull-Out Force—5 lbs.
Recommended Tightening Torque—5 in.- lbs.
Recommended Screwdrivers—
 Stanley 1016, Sears Craftsman 41429,
 Xcelite R184

Electrical Properties

Maximum Current—30A (UL),
 25A (CSA)
Operating Voltage—600V
Wire Range—
 Wire Protector—12-24 AWG
 Tunnel Connection—10-22 AWG
Dielectric Withstand—3500V

Environmental Properties

Continuous Working Temperature—
 -35°C to +100°C [-31°F to +212°F]



Tunnel Connection Version shown

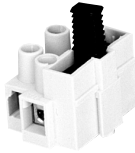
| No. of Positions | Dimensions | | Tunnel Connection | | Wire Protector | |
|------------------|--------------|------------|-------------------|----------------|----------------|----------------|
| | A | B | Part Number | Catalog Number | Part Number | Catalog Number |
| 1 | 6.6 (.26) | — | 1776299-1 | TSB500 SK01 | 1776300-1 | TSB500 SK01MDS |
| 2 | 16.6 (.65) | — | 1776299-2 | TSB500 SK02 | 1776300-2 | TSB500 SK02MDS |
| 3 | 26.6 (1.05) | 10 (.39) | 1776299-3 | TSB500 SK03 | 1776300-3 | TSB500 SK03MDS |
| 4 | 36.6 (1.44) | 20 (.79) | 1776299-4 | TSB500 SK04 | 1776300-4 | TSB500 SK04MDS |
| 5 | 46.6 (1.83) | 30 (1.18) | 1776299-5 | TSB500 SK05 | 1776300-5 | TSB500 SK05MDS |
| 6 | 56.6 (2.23) | 40 (1.57) | 1776299-6 | TSB500 SK06 | 1776300-6 | TSB500 SK06MDS |
| 7 | 66.6 (2.62) | 50 (1.97) | 1776299-7 | TSB500 SK07 | 1776300-7 | TSB500 SK07MDS |
| 8 | 76.6 (3.02) | 60 (2.36) | 1776299-8 | TSB500 SK08 | 1776300-8 | TSB500 SK08MDS |
| 9 | 86.6 (3.41) | 70 (2.76) | 1776299-9 | TSB500 SK09 | 1776300-9 | TSB500 SK09MDS |
| 10 | 96.6 (3.80) | 80 (3.15) | 1-1776299-0 | TSB500 SK10 | 1-1776300-0 | TSB500 SK10MDS |
| 11 | 106.6 (4.20) | 90 (3.54) | 1-1776299-1 | TSB500 SK11 | 1-1776300-1 | TSB500 SK11MDS |
| 12 | 116.6 (4.59) | 100 (3.94) | 1-1776299-2 | TSB500 SK12 | 1-1776300-2 | TSB500 SK12MDS |

Note: Add suffix HT for High Temperature version. Minimum order quantities may apply.
 Flammability: UL94V-0. Continuous working temperature: 150°C.



Note: All part numbers are RoHS Compliant.

10mm [.394] Pitch, Fused Terminal Blocks—Series 503Si



Material & Finish

Housing Material—Polyamide 6/6

Color—Gray, handle is black

Tubular Contact—Brass, tin plated

Screw—Steel

Screw Plating—Zinc with chromate

Wire Protector—Stainless steel

Contacts for Fuses—Stainless steel spring

Tunnel Connection—Without wire protector

Mechanical Properties

Pitch (terminal spacing)—10mm [.394"]

Wire Strip Length—7mm [.276"]

Electrical Properties

Maximum Current—

To VDE 820—Fuse Holder 10A

To VDE 0100—Terminal Blocks 26A

To VDE 0700/0711—Terminal Blocks 10A

Operating Voltage—

Fuse Holder—250V

Terminal Blocks—400V

Wire Range—

Wire Protector—12-22 AWG

Tunnel Connection—12-22 AWG

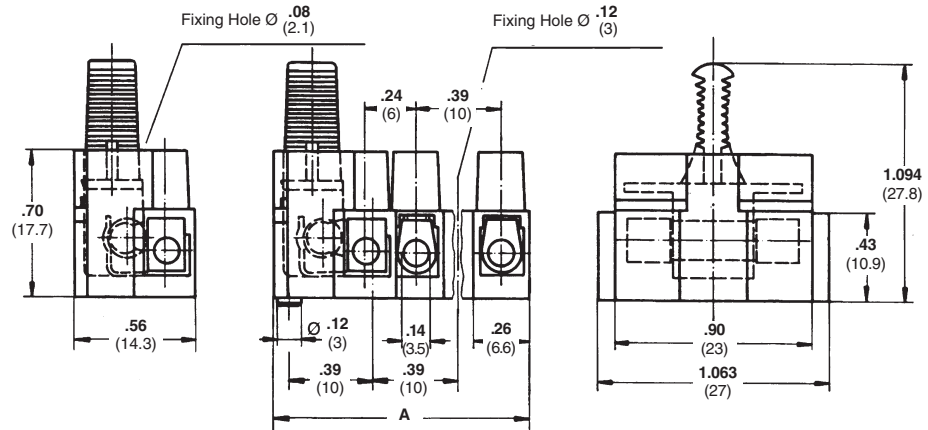
Environmental Properties

Continuous Working Temperature—

-35°C to +100°C [-31°F to +212°F]

500Si/1 (1 Circuit)

503Si (2-5 Circuits)



Series 503Si & 503Si...DS version of TSB500 Series with an integrated fuse holder for 5 x 20mm [.197 x .787] fuses. Protection against unintentional touch of live parts to VBG4 and VDE 0106, part 100 and VDE 0470, part 1.

Series 503Si...E & 503Si...EDS include a ground connection.

| No. of Positions | Dim. A | Tunnel Connection | | Wire Protector | | Tunnel Connection Grounded | | Wire Protector Grounded | |
|------------------|------------|-------------------|----------------|----------------|----------------|----------------------------|----------------|-------------------------|----------------|
| | | Part Number | Catalog Number | Part Number | Catalog Number | Part Number | Catalog Number | Part Number | Catalog Number |
| 1 | 14.3 (.56) | 1776301-1 | 503Si 1 | 1776301-6 | 503Si 1DS | — | — | — | — |
| 2 | 20 (.79) | 1776301-2 | 503Si 2 | 1776301-7 | 503Si 2DS | — | — | — | — |
| 3 | 30 (1.18) | — | 503Si 3 | 1776301-8 | 503Si 3DS | — | 503Si 3E | 2-1776301-3 | 503Si 3EDS |
| 4 | 40 (1.58) | — | 503Si 4 | 1776301-9 | 503Si 4DS | 1-1776301-4 | 503Si 4E | — | 503Si 4EDS |
| 5 | 50 (1.97) | 1776301-5 | 503Si 5 | 1-1776301-0 | 503Si 5DS | — | 503Si 5E | — | 503Si 5EDS |

12mm [.472] Pitch, 40A with Wire Protector—Series TSB1000



Material & Finish

- Housing Material**—Polyamide 6
- Flammability**—UL94V-2
- Color**—Natural (off white)
- Tubular Contact**—Brass, tin plated
- Screw**—Steel, M3.5
- Screw Plating**—Zinc with chromate
- Wire Protector**—Stainless steel

Mechanical Properties

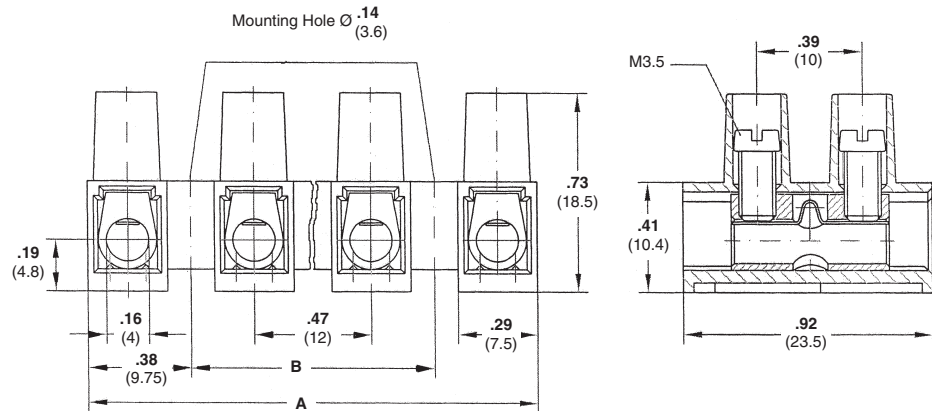
- Pitch (terminal spacing)**—
12mm [.472"]
- Wire Strip Length**—7mm [.28"]
- Min. Wire Pull-Out Force**—125 lbs.
- Recommended Tightening Torque**—10 in.-lbs.
- Recommended Screwdrivers**—
Stanley 1016, Sears Craftsman 41429,
Xcelite R184

Electrical Properties

- Maximum Current**—40A
- Operating Voltage**—250V
- Wire Range**—10-22 AWG
- Dielectric Withstand**—4500V

Environmental Properties

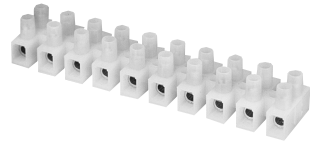
- Continuous Working Temperature**—
-35°C to +100°C [-31°F to +212°F]



| No. of Positions | Dimensions | | Wire Protector | |
|------------------|--------------|------------|----------------|----------------|
| | A | B | Part Number | Catalog Number |
| 1 | 7.5 (.30) | — | 1776302-1 | TSB1000 01DS |
| 2 | 19.5 (.77) | — | 1776302-2 | TSB1000 02DS |
| 3 | 31.5 (1.24) | 12 (.47) | 1776302-3 | TSB1000 03DS |
| 4 | 43.5 (1.71) | 24 (.95) | 1776302-4 | TSB1000 04DS |
| 5 | 55.5 (2.19) | 36 (1.42) | 1776302-5 | TSB1000 05DS |
| 6 | 67.5 (2.66) | 48 (1.89) | 1776302-6 | TSB1000 06DS |
| 7 | 79.5 (3.13) | 60 (2.36) | 1776302-7 | TSB1000 07DS |
| 8 | 91.5 (3.60) | 72 (2.83) | 1776302-8 | TSB1000 08DS |
| 9 | 103.5 (4.07) | 84 (3.31) | 1776302-9 | TSB1000 09DS |
| 10 | 115.5 (4.55) | 96 (3.78) | 1-1776302-0 | TSB1000 10DS |
| 11 | 127.5 (5.02) | 108 (4.25) | 1-1776302-1 | TSB1000 11DS |
| 12 | 139.5 (5.49) | 120 (4.72) | 1-1776302-2 | TSB1000 12DS |

Note: All part numbers are RoHS Compliant.

12mm [.472] Pitch, 50A with Tunnel Connection—Series TSB1000



Material & Finish

- Housing Material**—Polyamide 6
- Flammability**—UL94V-2
- Color**—Natural (off white)
- Tubular Contact**—Brass, tin plated
- Screw**—Steel, M3.5
- Screw Plating**—Zinc with chromate

Mechanical Properties

- Pitch (terminal spacing)**—12mm [.472"]
- Wire Strip Length**—7mm [.28"]
- Min. Wire Pull-Out Force**—125 lbs.

Recommended Tightening Torque—10 in.- lbs.

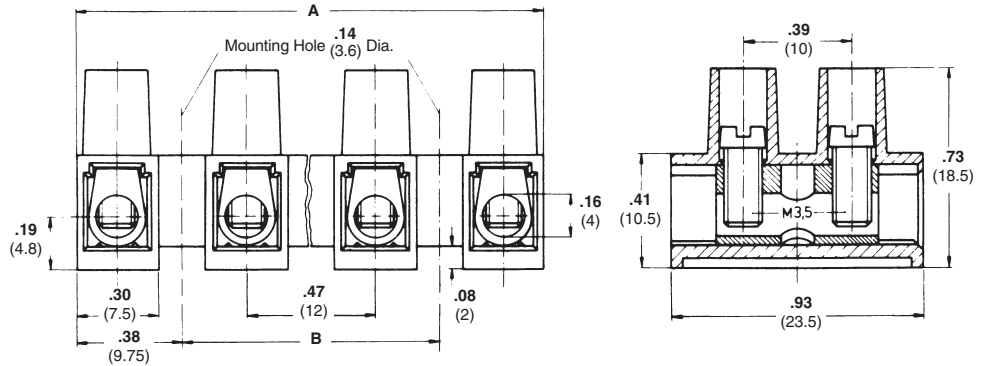
Recommended Screwdrivers—Stanley 1016, Sears Craftsman 41429, Xcelite R184

Electrical Properties

- Maximum Current**—50A
- Operating Voltage**—250V
- Wire Range**—8-22 AWG
- Dielectric Withstand**—4500V

Environmental Properties

Continuous Working Temperature—-35°C to +100°C [-31°F to +212°F]

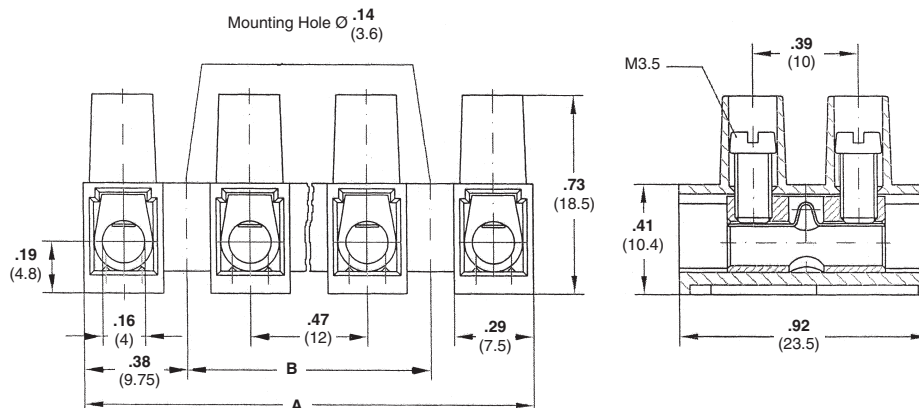
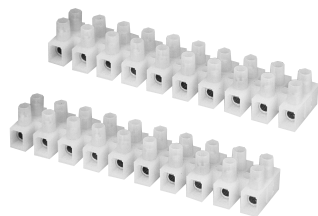


| No. of Positions | Dimensions | | Tunnel Connection | |
|------------------|--------------|------------|-------------------|----------------|
| | A | B | Part Number | Catalog Number |
| 1 | 7.5 (.30) | — | 1776303-1 | TSB1000 01 |
| 2 | 19.5 (.77) | — | 1776303-2 | TSB1000 02 |
| 3 | 31.5 (1.24) | 12 (.47) | 1776303-3 | TSB1000 03 |
| 4 | 43.5 (1.71) | 24 (.95) | 1776303-4 | TSB1000 04 |
| 5 | 55.5 (2.19) | 36 (1.42) | 1776303-5 | TSB1000 05 |
| 6 | 67.5 (2.66) | 48 (1.89) | 1776303-6 | TSB1000 06 |
| 7 | 79.5 (3.13) | 60 (2.36) | 1776303-7 | TSB1000 07 |
| 8 | 91.5 (3.60) | 72 (2.84) | 1776303-8 | TSB1000 08 |
| 9 | 103.5 (4.07) | 84 (3.31) | 1776303-9 | TSB1000 09 |
| 10 | 115.5 (4.55) | 96 (3.78) | 1-1776303-0 | TSB1000 10 |
| 11 | 127.5 (5.02) | 108 (4.25) | 1-1776303-1 | TSB1000 11 |
| 12 | 139.5 (5.49) | 120 (4.72) | 1-1776303-2 | TSB1000 12 |

Europa Terminal Blocks **5**



12mm [.472] Pitch, 40A High Temperature—Series TSB1000...HT



Material & Finish

- Housing Material**—Polyamide 6/6
- Flammability**—UL94V-0
- Housing Color**—Brown
- Tubular Contact**—Brass, tin plated
- Screw**—Steel, M3.5
- Screw Plating**—Zinc with chromate
- Wire Protector**—Stainless steel

Mechanical Properties

- Pitch (terminal spacing)**—12mm [.472"]
- Wire Strip Length**—7mm [.28"]
- Min. Wire Pull-Out Force**—125 lbs.
- Recommended Tightening Torque**—10 in.-lbs.
- Recommended Screwdrivers**—Stanley 1016, Sears Craftsman 41429, Xcelite R184

Electrical Properties

- Maximum Current**—40A
- Operating Voltage**—250V
- Wire Range**—10-24 AWG
- Dielectric Withstand**—4500V

Environmental Properties

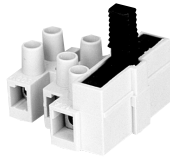
- Continuous Working Temperature**—-50°C to +160°C [-58°F to +320°F]

| No. of Positions | Dimensions | | Wire Protector | |
|------------------|--------------|------------|----------------|-----------------|
| | A | B | Part Number | Catalog Number |
| 1 | 7.5 (.30) | — | — | TSB1000 01DS HT |
| 2 | 19.5 (.77) | — | 1776304-2 | TSB1000 02DS HT |
| 3 | 31.5 (1.24) | 12 (.47) | 1776304-3 | TSB1000 03DS HT |
| 4 | 43.5 (1.71) | 24 (.95) | 1776304-4 | TSB1000 04DS HT |
| 5 | 55.5 (2.19) | 36 (1.42) | 1776304-5 | TSB1000 05DS HT |
| 6 | 67.5 (2.66) | 48 (1.89) | 1776304-6 | TSB1000 06DS HT |
| 7 | 79.5 (3.13) | 60 (2.36) | 1776304-7 | TSB1000 07DS HT |
| 8 | 91.5 (3.60) | 72 (2.84) | 1776304-8 | TSB1000 08DS HT |
| 9 | 103.5 (4.07) | 84 (3.31) | 1776304-9 | TSB1000 09DS HT |
| 10 | 115.5 (4.55) | 96 (3.78) | 1-1776304-0 | TSB1000 10DS HT |
| 11 | 127.5 (5.02) | 108 (4.25) | 1-1776304-1 | TSB1000 11DS HT |
| 12 | 139.5 (5.49) | 120 (4.72) | 1-1776304-2 | TSB1000 12DS HT |



Note: All part numbers are RoHS Compliant.

12mm [.472] Pitch, Fused Terminal Blocks—Series 1003Si



Material & Finish

- Housing Material**—Polyamide 6/6
- Color**—Gray, handle is black
- Tubular Contact**—Brass, tin plated
- Screw**—Steel
- Screw Plating**—Zinc with chromate
- Wire Protector**—Stainless steel
- Contacts for Fuses**—Stainless steel screw
- Tunnel Connection**—Without wire protector

Mechanical Properties

- Pitch (terminal spacing)**—12mm [.472"]
- Wire Strip Length**—7.5mm [.295"]

Electrical Properties

- Maximum Current**—
To VDE 0820—Fuse Holder 16A
To VDE 0100—Terminal Blocks 34A
To VDE 0700/0711—Terminal Blocks 16A

Operating Voltage—

- Fuse Holder—250V
- Terminal Blocks—400V

Wire Range—

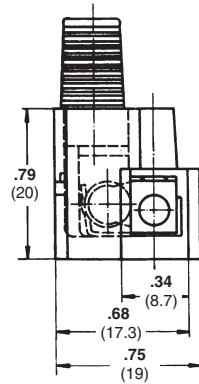
- Wire Protector—up to 10mm² (10-24 AWG)
- Tunnel Connection—up to 4mm² (8-22 AWG)

Environmental Properties

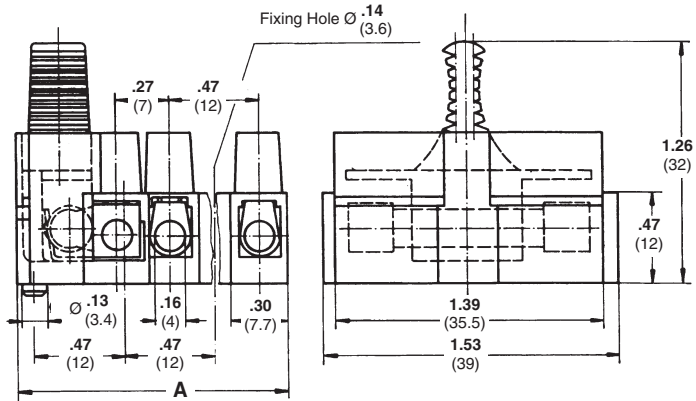
Continuous Working Temperature—

- 35°C to +100°C [-31°F to +212°F]

1003Si/1 (1 Circuit)



1003Si (2-5 Circuits)



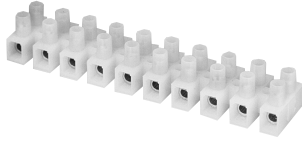
Series 1003Si & 1003Si...DS version of TSB1000 Series with an integrated fuse holder for 1/4" x 1" (6.3 x 25mm) or 1/4" x 1 1/4" (6.3mm x 32mm). Protection against unintended touch of live parts to VBG4.

Series 1003Si...E & 1003Si...EDS include a ground connection.

| No. of Positions | Dim. A | Tunnel Connection | | Wire Protector | | Tunnel Connection Grounded | | Wire Protector Grounded | |
|------------------|------------|-------------------|----------------|----------------|----------------|----------------------------|----------------|-------------------------|----------------|
| | | Part Number | Catalog Number | Part Number | Catalog Number | Part Number | Catalog Number | Part Number | Catalog Number |
| 1 | 18.7 (.74) | 1-1776309-1 | 1003Si 1 | 1776309-1 | 1003Si 1DS | — | — | — | — |
| 2 | 24 (0.95) | 1-1776309-2 | 1003Si 2 | 1776309-2 | 1003Si 2DS | — | — | — | — |
| 3 | 36 (1.42) | 1-1776309-3 | 1003Si 3 | — | 1003Si 3DS | 1776309-3 | 1003Si 3E | 1776309-4 | 1003Si 3EDS |
| 4 | 48 (1.89) | 1-1776309-4 | 1003Si 4 | — | 1003Si 4DS | — | 1003Si 4E | — | 1003Si 4EDS |
| 5 | 60 (2.36) | 1-1776309-5 | 1003Si 5 | — | 1003Si 5DS | — | 1003Si 5E | — | 1003Si 5EDS |

Note: All part numbers are RoHS Compliant.

13.5mm [.531] Pitch, 40A—Series TSB1500



Material & Finish

- Housing Material**—Polyamide 6
- Flammability**—UL94V-2
- Color**—Natural (off white)
- Tubular Contact**—Brass, tin plated
- Screw**—Steel
- Screw Plating**—Zinc with chromate
- Wire Protector**—Stainless steel
- Tunnel Connection**—Without wire protector

Mechanical Properties

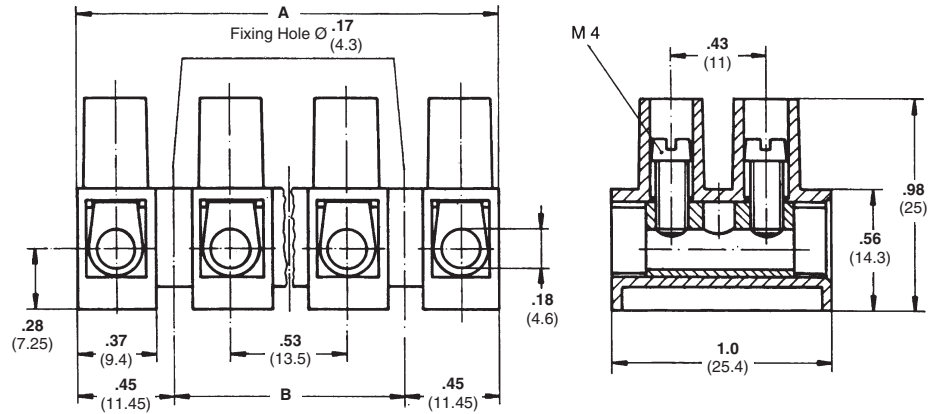
- Pitch (terminal spacing)**—13.5mm [.531"]
- Wire Strip Length**—8mm [.315"]
- Recommended Tightening Torque**—10 in.-lbs.
- Recommended Screwdrivers**—Stanley 1016, Sears Craftsman 41429, Xcelite R184

Electrical Properties

- Maximum Current**—40A (UR); 55A (CSA)
- Operating Voltage**—300V
- Wire Range**—Wire Protector—8-18 AWG
Tunnel Connection—8-16 AWG

Environmental Properties

- Continuous Working Temperature**—-35°C to +100°C [-31°F to +212°F]



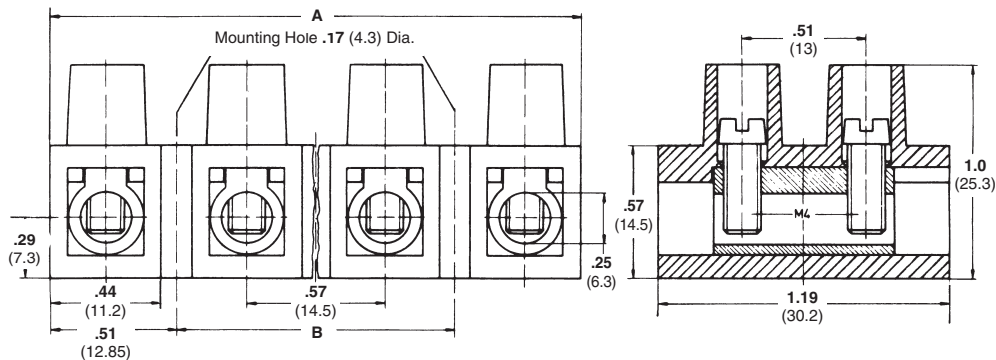
Tunnel Connection Version shown

| No. of Positions | Dimensions | | Tunnel Connection | | Wire Protector | |
|------------------|--------------|--------------|-------------------|----------------|----------------|----------------|
| | A | B | Part Number | Catalog Number | Part Number | Catalog Number |
| 1 | 9.4 (.37) | — | 1776310-1 | TSB1500 01 | 1776311-1 | TSB1500 01DS |
| 2 | 22.9 (.90) | — | 1776310-2 | TSB1500 02 | 1776311-2 | TSB1500 02DS |
| 3 | 36.4 (1.43) | 13.5 (.53) | 1776310-3 | TSB1500 03 | 1776311-3 | TSB1500 03DS |
| 4 | 49.9 (1.96) | 27.0 (1.06) | 1776310-4 | TSB1500 04 | 1776311-4 | TSB1500 04DS |
| 5 | 63.4 (2.49) | 40.5 (1.59) | 1776310-5 | TSB1500 05 | 1776311-5 | TSB1500 05DS |
| 6 | 76.9 (3.03) | 54.0 (2.12) | 1776310-6 | TSB1500 06 | 1776311-6 | TSB1500 06DS |
| 7 | 90.4 (3.55) | 67.5 (2.65) | 1776310-7 | TSB1500 07 | 1776311-7 | TSB1500 07DS |
| 8 | 103.9 (4.09) | 81.0 (3.19) | 1776310-8 | TSB1500 08 | 1776311-8 | TSB1500 08DS |
| 9 | 117.4 (4.62) | 94.5 (3.72) | 1776310-9 | TSB1500 09 | 1776311-9 | TSB1500 09DS |
| 10 | 130.9 (5.15) | 108.0 (4.25) | 1-1776310-0 | TSB1500 10 | 1-1776311-0 | TSB1500 10DS |
| 11 | 144.4 (5.68) | 121.5 (4.78) | 1-1776310-1 | TSB1500 11 | 1-1776311-1 | TSB1500 11DS |
| 12 | 157.9 (6.21) | 135.0 (5.31) | 1-1776310-2 | TSB1500 12 | 1-1776311-2 | TSB1500 12DS |



14.5mm [.571] Pitch, 65A—Series TSB2000

Europe Terminal Blocks **5**



Tunnel Connection Version shown

Material & Finish

- Housing Material**—Polyamide 6
- Flammability**—UL94V-2
- Color**—Natural (off white)
- Tubular Contact**—Brass, tin plated
- Screw**—Steel, M3.5
- Screw Plating**—Zinc with chromate
- Wire Protector**—Stainless steel
- Tunnel Connection**—Without wire protector

Mechanical Properties

- Pitch (terminal spacing)**—14.5mm [.571"]
- Wire Strip Length**—9mm [.35"]
- Min. Wire Pull-Out Force**—150lbs.
- Recommended Tightening Torque**—12 in.-lbs.
- Recommended Screwdrivers**—Stanley 1008, Sears Craftsman 41436, Xcelite R3164

Electrical Properties

- Maximum Current**—65A (UR), 70A (CSA)
- Operating Voltage**—300V
- Wire Range**—6-14 AWG (UR), 6-22 AWG (CSA)
- Dielectric Withstand**—6000V

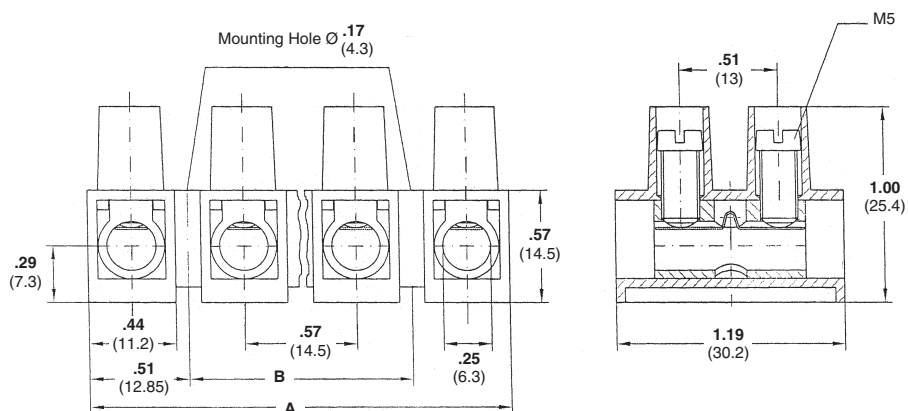
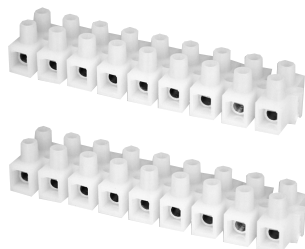
Environmental Properties

- Continuous Working Temperature**—-35°C to +100°C [-31°F to +212°F]

| No. of Positions | Dimensions | | Tunnel Connection | | Wire Protector | |
|------------------|--------------|--------------|-------------------|----------------|----------------|----------------|
| | A | B | Part Number | Catalog Number | Part Number | Catalog Number |
| 1 | 11.2 (.44) | — | 1776312-1 | TSB2000 01 | 1776313-1 | TSB2000 01DS |
| 2 | 25.7 (1.01) | — | 1776312-2 | TSB2000 02 | 1776313-2 | TSB2000 02DS |
| 3 | 40.2 (1.58) | 14.5 (.57) | 1776312-3 | TSB2000 03 | 1776313-3 | TSB2000 03DS |
| 4 | 54.7 (2.15) | 29.0 (1.14) | 1776312-4 | TSB2000 04 | 1776313-4 | TSB2000 04DS |
| 5 | 69.2 (2.72) | 43.5 (1.71) | 1776312-5 | TSB2000 05 | 1776313-5 | TSB2000 05DS |
| 6 | 83.7 (3.30) | 58.0 (2.28) | 1776312-6 | TSB2000 06 | 1776313-6 | TSB2000 06DS |
| 7 | 98.2 (3.87) | 72.5 (2.85) | 1776312-7 | TSB2000 07 | 1776313-7 | TSB2000 07DS |
| 8 | 112.7 (4.44) | 87.0 (3.43) | 1776312-8 | TSB2000 08 | 1776313-8 | TSB2000 08DS |
| 9 | 127.2 (5.01) | 101.5 (4.00) | 1776312-9 | TSB2000 09 | 1776313-9 | TSB2000 09DS |
| 10 | 141.7 (5.58) | 116.0 (4.57) | 1-1776312-0 | TSB2000 10 | 1-1776313-0 | TSB2000 10DS |
| 11 | 156.2 (6.15) | 130.5 (5.14) | 1-1776312-1 | TSB2000 11 | 1-1776313-1 | TSB2000 11DS |
| 12 | 170.7 (6.72) | 145.0 (5.71) | 1-1776312-2 | TSB2000 12 | 1-1776313-2 | TSB2000 12DS |



14.5mm [.571] Pitch, 65A High Temperature—Series TSB2000...HT



Material & Finish

- Housing Material**—Polyamide 6/6
- Flammability**—UL94V-0
- Housing Color**—Brown
- Tubular Contact**—Brass, tin plated
- Screw**—Steel, M3.5
- Screw Plating**—Zinc with chromate
- Wire Protector**—Stainless steel

Mechanical Properties

- Pitch (terminal spacing)**—14.5mm [.571"]
- Wire Strip Length**—9mm [.35"]
- Min. Wire Pull-Out Force**—150 lbs.
- Recommended Tightening Torque**—12 in.-lbs.
- Recommended Screwdrivers**—Stanley 1008, Sears Craftsman 41436, Xcelite R3164

Electrical Properties

- Maximum Current**—65A (UR), 70A (CSA)
- Operating Voltage**—300V
- Wire Range**—6-14 AWG (UR), 6-22 AWG (CSA)
- Dielectric Withstand**—6000V

Environmental Properties

- Continuous Working Temperature**—-35°C to +150°C [-31°F to +302°F]

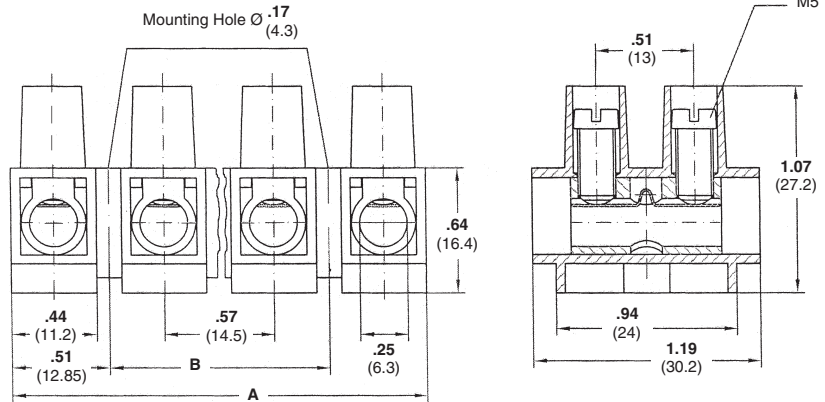
| No. of Positions | Dimensions | | Wire Protector | |
|------------------|--------------|--------------|----------------|-----------------|
| | A | B | Part Number | Catalog Number |
| 1 | 11.2 (.44) | — | 1776314-1 | TSB2000 01 DSHT |
| 2 | 25.7 (1.01) | — | 1776314-2 | TSB2000 02 DSHT |
| 3 | 40.2 (1.58) | 14.5 (.57) | 1776314-3 | TSB2000 03 DSHT |
| 4 | 54.7 (2.15) | 29.0 (1.14) | 1776314-4 | TSB2000 04 DSHT |
| 5 | 69.2 (2.72) | 43.5 (1.71) | 1776314-5 | TSB2000 05 DSHT |
| 6 | 83.7 (3.30) | 58.0 (2.28) | 1776314-6 | TSB2000 06 DSHT |
| 7 | 98.2 (3.87) | 72.5 (2.85) | 1776314-7 | TSB2000 07 DSHT |
| 8 | 112.7 (4.44) | 87.0 (3.43) | 1776314-8 | TSB2000 08 DSHT |
| 9 | 127.2 (5.01) | 101.5 (4.00) | 1776314-9 | TSB2000 09 DSHT |
| 10 | 141.7 (5.58) | 116.0 (4.57) | 1-1776314-0 | TSB2000 10 DSHT |
| 11 | 156.2 (6.15) | 130.5 (5.14) | 1-1776314-1 | TSB2000 11 DSHT |
| 12 | 170.7 (6.72) | 145.0 (5.71) | 1-1776314-2 | TSB2000 12 DSHT |

Note: Minimum order quantities may apply.



Note: All part numbers are RoHS Compliant.

14.5mm [.571] Pitch, 65A High Voltage Version—Series TSB2000...US



Material & Finish

- Housing Material**—Polyamide 6
- Flammability**—UL94V-2
- Color**—Natural (off white)
- Tubular Contact**—Brass, tin plated
- Screw**—Steel, M3.5
- Screw Plating**—Zinc with chromate
- Wire Protector**—Stainless Steel

Mechanical Properties

- Pitch (terminal spacing)**—14.5mm [.571"]
- Wire Strip Length**—9mm [.35"]
- Min. Wire Pull-Out Force**—150 lbs.
- Recommended Tightening Torque**—12 in.-lbs.
- Recommended Screwdrivers**—Stanley 1008, Sears Craftsman 41436, Xcelite R3164

Electrical Properties

- Maximum Current**—65A (UR), 70A (CSA)
- Operating Voltage**—600V
- Wire Range**—6-14 AWG (UR), 6-22 AWG (CSA)
- Dielectric Withstand**—6000V

Environmental Properties

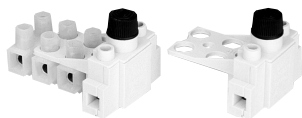
- Continuous Working Temperature**—-35°C to +100°C [-31°F to +212°F]

| No. of Positions | Dimensions | | Wire Protector | |
|------------------|--------------|--------------|----------------|----------------|
| | A | B | Part Number | Catalog Number |
| 1 | 11.2 (.44) | — | — | TSB2000 01KDS |
| 2 | 25.7 (1.01) | — | 1776315-2 | TSB2000 02KDS |
| 3 | 40.2 (1.58) | 14.5 (.57) | 1776315-3 | TSB2000 03KDS |
| 4 | 54.7 (2.15) | 29.0 (1.14) | 1776315-4 | TSB2000 04KDS |
| 5 | 69.2 (2.72) | 43.5 (1.71) | 1776315-5 | TSB2000 05KDS |
| 6 | 83.7 (3.30) | 58.0 (2.28) | 1776315-6 | TSB2000 06KDS |
| 7 | 98.2 (3.87) | 72.5 (2.85) | 1776315-7 | TSB2000 07KDS |
| 8 | 112.7 (4.44) | 87.0 (3.43) | 1776315-8 | TSB2000 08KDS |
| 9 | 127.2 (5.01) | 101.5 (4.00) | 1776315-9 | TSB2000 09KDS |
| 10 | 141.7 (5.58) | 116.0 (4.57) | 1-1776315-0 | TSB2000 10KDS |
| 11 | 156.2 (6.15) | 130.5 (5.14) | 1-1776315-1 | TSB2000 11KDS |
| 12 | 170.7 (6.72) | 145.0 (5.71) | 1-1776315-2 | TSB2000 12KDS |

Europa Terminal Blocks
5



Fuse Holder (for Series TSB500, TSB1000)—Series 500Si



Material & Finish

Housing Material—Polyamide 6/6

Color—Gray

Tubular Contact—Brass, tin plated

Screw—Steel

Screw Plating—Zinc with chromate

Mechanical Properties

Pitch (terminal spacing)—

10mm [.394] and 12mm [.472]

Wire Strip Length—6.5mm [.256]

Electrical Properties

Maximum Current—

To VDE 0820—10A

To VDE 0700/0711—10A

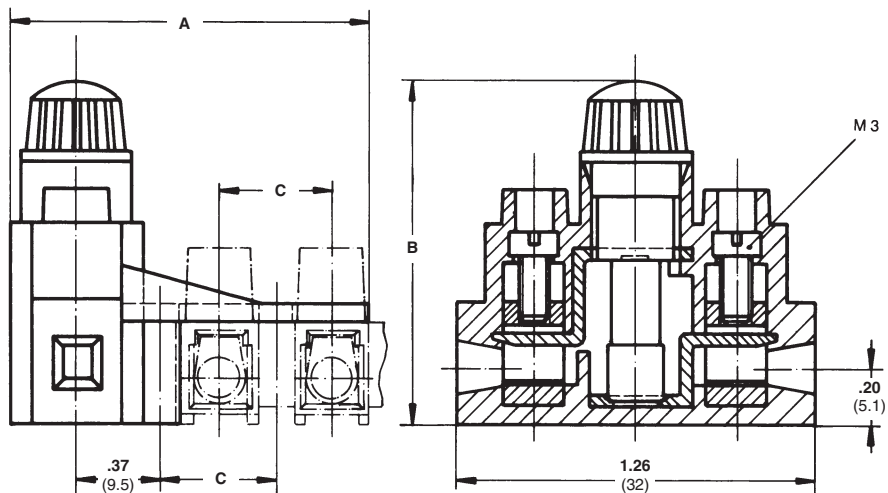
Operating Voltage—250V

Wire Range—12-22 AWG

Environmental Properties

Continuous Working Temperature—

-35°C to +100°C [-31°F to +212°F]



Series 500Si:

Two versions mate with TSB500 and TSB1000 to provide a fuse holder for 5 x 20mm [.197 x .787] or 5mm x 25mm [.197 x .984] fuses. These connectors comply with VDE 0820, part 2.

Series 500Si...K:

Same as the standard series but provides a raised, transparent “bayonet catch” which serves as a Fuse Link Carrier for fuses 5 x 25mm [.197 x .984] (with indicator).

| Description | Dimensions | | | Catalog Number |
|---|------------|------------|-----------|----------------|
| | A | B | C | |
| For TSB500 Series | 35 (1.378) | 29 (1.142) | 10 (.394) | 500Si 5 |
| For TSB1000 Series | 37 (1.457) | 30 (1.181) | 12 (.472) | 500Si 10 |
| w/ Fuse Link Carrier for TSB500 Series | 35 (1.378) | 34 (1.339) | 10 (.394) | 500Si 5K |
| w/ Fuse Link Carrier for TSB1000 Series | 37 (1.457) | 35 (1.378) | 12 (.472) | 500Si 10K |

Note: All part numbers are RoHS Compliant.

Covers—Series ABK



Material & Finish

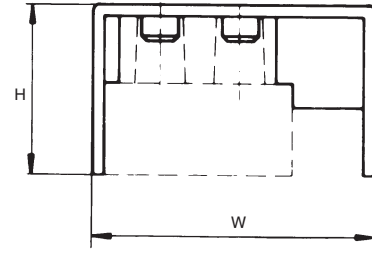
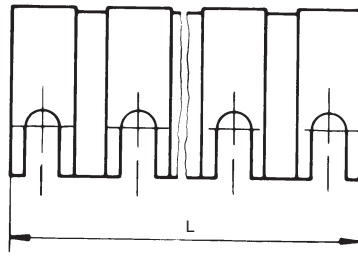
Housing Material—Polyamide 6/6

Color—Gray

Continuous Working Temperature—100°C [212°F]

Series ABK 405, 406, & 415 Covers

These covers mate with Series TSB500, TSB1000 and TSB1500. They do not mate with TSB500 SK.



Cover for TSB500 Series

| Dimensions L x W x H | Catalog Number |
|--|-------------------|
| 18 x 29 x 18.8 (.709 x 1.142 x .740) | ABK 405 02 |
| 28 x 29 x 18.8 (1.102 x 1.142 x .740) | ABK 405 03 |
| 38 x 29 x 18.8 (1.496 x 1.142 x .740) | ABK 405 04 |
| 58 x 29 x 18.8 (2.283 x 1.142 x .740) | ABK 405 06 |
| 118 x 29 x 18.8 (4.646 x 1.142 x .740) | ABK 405 12 |

Cover for TSB1000 Series

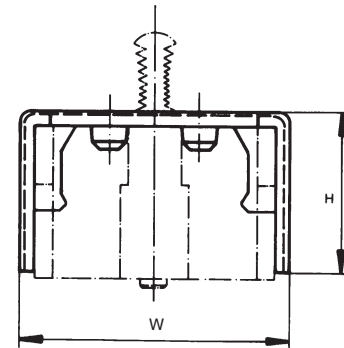
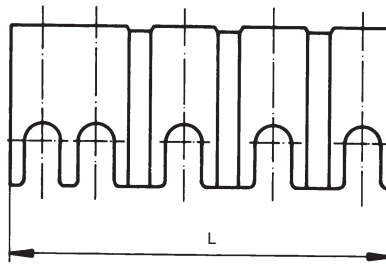
| Dimensions L x W x H | Catalog Number |
|--|-------------------|
| 21 x 35.5 x 20.7 (.827 x 1.398 x .815) | ABK 406 02 |
| 33 x 35.5 x 20.7 (1.299 x 1.398 x .815) | ABK 406 03 |
| 45 x 35.5 x 20.7 (1.772 x 1.398 x .815) | ABK 406 04 |
| 69 x 35.5 x 20.7 (2.717 x 1.398 x .815) | ABK 406 06 |
| 141 x 35.5 x 20.7 (5.551 x 1.398 x .815) | ABK 406 12 |

Cover for TSB1500 Series

| Dimensions L x W x H | Catalog Number |
|--|-------------------|
| 24 x 37.5 x 25.5 (.945 x 1.476 x 1.004) | ABK 415 02 |
| 37.5 x 37.5 x 25.5 (1.476 x 1.476 x 1.004) | ABK 415 03 |
| 51 x 37.5 x 25.5 (2.008 x 1.476 x 1.004) | ABK 415 04 |
| 78 x 37.5 x 25.5 (3.071 x 1.476 x 1.004) | ABK 415 06 |
| 158 x 37.5 x 25.5 (6.220 x 1.476 x 1.004) | ABK 415 12 |

Series ABK 503 Covers

These covers mate with Series 503Si.

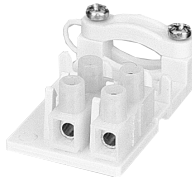


Cover for 503Si Series

| Dimensions L x W x H | Catalog Number |
|---|-------------------|
| 13.5 x 30.5 x 18.5 (.531 x 1.201 x .728) | ABK 503 02 |
| 24 x 30.5 x 18.5 (.945 x 1.201 x .728) | ABK 503 03 |
| 33.5 x 30.5 x 18.5 (1.319 x 1.201 x .728) | ABK 503 04 |
| 43 x 30.5 x 18.5 (1.693 x 1.201 x .728) | ABK 503 05 |

Note: All part numbers are RoHS Compliant.

Strain Relief (for Series TSB500)—Series 500...ZEL



Material & Finish

Housing Material—Polyamide 6/6

Color—White

Tracking Resistance—CTI 600

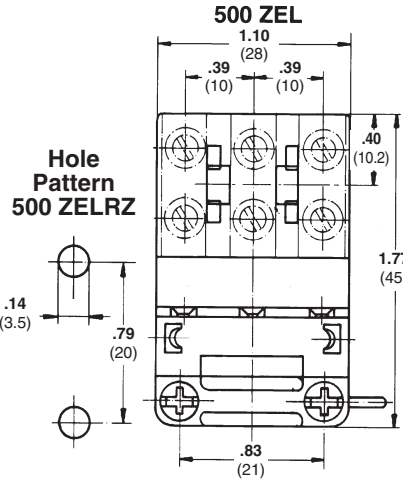
Screw—Steel

Screw Plating—Zinc with yellow chromate C 2.9 x 13mm [.114 x .512]

Environmental Properties

Continuous Working Temperature—

-35°C to +100°C [-31°F to +212°F]



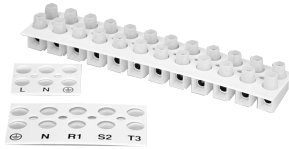
| Description | Part Number | Catalog Number |
|----------------------------------|-------------|----------------|
| For Series TSB500 | 1546182-1 | 500 3ZEL |
| With Catch Pin for Series TSB500 | 1546182-2 | 500 3ZELRZ |

Strain reliefs are provided with a captive clamping mechanism that can be rotated by 180° accommodating variable sizes of conductors. Two Phillips screws are enclosed.

A cable guide comb for TSB500 of 3 or more circuits fixes the Europa block to the strain relief. A screw mounts the Europa block to the 500 3ZEL; a catch pin mounts the block to the 500 3ZELRZ

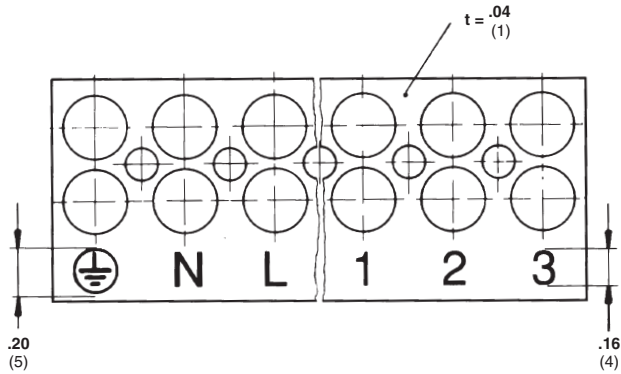
Note: All part numbers are RoHS Compliant.

Blank Marking Labels—Series...BZ (2-12 Circuits)



Material & Finish

Material—Roughened synthetic
Color—White
Thickness—1mm



| Catalog Number | | | | |
|----------------------|----------------------|-----------------------|-----------------------|-----------------------|
| TSB230 Series | TSB500 Series | TSB1000 Series | TSB1500 Series | TSB2000 Series |
| 230 BZM | 500 BZM | 1000 BZM | 1500 BZM | 2000 BZM |

Standard Package: 100 pieces per catalog number, 2-meter [6.56 ft] length

Each pole is provided with 2 holes allowing the marking labels to be slipped on the “chimney” tops, and with a mounting hole corresponding to the mounting hole of the connectors.

Marking Strips:

Series TSB Marking Strips are available in both Standard and Custom-cut lengths. Standard Marking Strips are supplied blank, 2 meters [6.56 ft] in length which the customer may

cut to suit individual length requirement. Custom Marking Strips are supplied pre-cut, and may be ordered blank or with printing. Marking Strips protrude from the barrier strip approximately 5mm [.197] on one side, and can be affixed to either the bottom or the top of the barrier strip.

| TSB230 Series | | TSB500 Series | | TSB1000 Series | | TSB1500 Series | TSB2000 Series |
|---------------|----------------|---------------|----------------|----------------|----------------|----------------|----------------|
| Part Number | Catalog Number | Part Number | Catalog Number | Part Number | Catalog Number | Catalog Number | Catalog Number |
| — | M230 BZ 02 | — | M500 BZ 02 | — | M1000 BZ 02 | M1500 BZ 02 | M2000 BZ 02 |
| 1-1437387-5 | M230 BZ 03 | — | M500 BZ 03 | — | M1000 BZ 03 | M1500 BZ 03 | M2000 BZ 03 |
| 1-1437387-6 | M230 BZ 04 | — | M500 BZ 04 | — | M1000 BZ 04 | M1500 BZ 04 | M2000 BZ 04 |
| — | M230 BZ 05 | — | M500 BZ 05 | — | M1000 BZ 05 | M1500 BZ 05 | M2000 BZ 05 |
| — | M230 BZ 06 | 2-1437387-3 | M500 BZ 06 | — | M1000 BZ 06 | M1500 BZ 06 | M2000 BZ 06 |
| — | M230 BZ 07 | — | M500 BZ 07 | — | M1000 BZ 07 | M1500 BZ 07 | M2000 BZ 07 |
| — | M230 BZ 08 | — | M500 BZ 08 | 1546830-8 | M1000 BZ 08 | M1500 BZ 08 | M2000 BZ 08 |
| 1-1437387-7 | M230 BZ 09 | — | M500 BZ 09 | — | M1000 BZ 09 | M1500 BZ 09 | M2000 BZ 09 |
| 1-1437387-8 | M230 BZ 10 | — | M500 BZ 10 | — | M1000 BZ 10 | M1500 BZ 10 | M2000 BZ 10 |
| — | M230 BZ 11 | — | M500 BZ 11 | — | M1000 BZ 11 | M1500 BZ 11 | M2000 BZ 11 |
| 1-1437387-9 | M230 BZ 12 | 2-1437387-4 | M500 BZ 12 | 1437387-6 | M1000 BZ 12 | M1500 BZ 12 | M2000 BZ 12 |

Standard Package: 250 pieces per catalog number

Note: All part numbers
are RoHS Compliant.

Engineering Notes



Компания «Океан Электроники» предлагает заключение долгосрочных отношений при поставках импортных электронных компонентов на взаимовыгодных условиях!

Наши преимущества:

- Поставка оригинальных импортных электронных компонентов напрямую с производств Америки, Европы и Азии, а так же с крупнейших складов мира;
- Широкая линейка поставок активных и пассивных импортных электронных компонентов (более 30 млн. наименований);
- Поставка сложных, дефицитных, либо снятых с производства позиций;
- Оперативные сроки поставки под заказ (от 5 рабочих дней);
- Экспресс доставка в любую точку России;
- Помощь Конструкторского Отдела и консультации квалифицированных инженеров;
- Техническая поддержка проекта, помощь в подборе аналогов, поставка прототипов;
- Поставка электронных компонентов под контролем ВП;
- Система менеджмента качества сертифицирована по Международному стандарту ISO 9001;
- При необходимости вся продукция военного и аэрокосмического назначения проходит испытания и сертификацию в лаборатории (по согласованию с заказчиком);
- Поставка специализированных компонентов военного и аэрокосмического уровня качества (Xilinx, Altera, Analog Devices, Intersil, Interpoint, Microsemi, Actel, Aeroflex, Peregrine, VPT, Syfer, Eurofarad, Texas Instruments, MS Kennedy, Miteq, Cobham, E2V, MA-COM, Hittite, Mini-Circuits, General Dynamics и др.);

Компания «Океан Электроники» является официальным дистрибьютором и эксклюзивным представителем в России одного из крупнейших производителей разъемов военного и аэрокосмического назначения «JONHON», а так же официальным дистрибьютором и эксклюзивным представителем в России производителя высокотехнологичных и надежных решений для передачи СВЧ сигналов «FORSTAR».



JONHON

«JONHON» (основан в 1970 г.)

Разъемы специального, военного и аэрокосмического назначения:

(Применяются в военной, авиационной, аэрокосмической, морской, железнодорожной, горно- и нефтедобывающей отраслях промышленности)

«FORSTAR» (основан в 1998 г.)

ВЧ соединители, коаксиальные кабели, кабельные сборки и микроволновые компоненты:

(Применяются в телекоммуникациях гражданского и специального назначения, в средствах связи, РЛС, а так же военной, авиационной и аэрокосмической отраслях промышленности).



Телефон: 8 (812) 309-75-97 (многоканальный)

Факс: 8 (812) 320-03-32

Электронная почта: ocean@oceanchips.ru

Web: <http://oceanchips.ru/>

Адрес: 198099, г. Санкт-Петербург, ул. Калинина, д. 2, корп. 4, лит. А