

FEATURES

- 100% Tested Settling Time to 1mV at Sum Node, 10V Step Tested with Fixed Feedback Capacitor

| |
|-----------|
| 340ns Typ |
| 540ns Max |
- Slew Rate

| |
|------------|
| 60V/μs Min |
|------------|
- Gain-Bandwidth Product

| |
|-------|
| 14MHz |
|-------|
- Power Bandwidth (20V_{P-P})

| |
|---------|
| 1.2 MHz |
|---------|
- Unity-Gain Stable; Phase Margin

| |
|-----|
| 60° |
|-----|
- Input Offset Voltage

| |
|-----------|
| 600μV Max |
|-----------|
- Input Bias Current

| |
|----------------|
| 25°C 75pA Max |
| 70°C 600pA Max |
- Input Offset Current

| |
|----------------|
| 25°C 40pA Max |
| 70°C 150pA Max |
- Low Distortion

APPLICATIONS

- Fast 12-Bit D/A Output Amplifiers
- High Speed Buffers
- Fast Sample-and-Hold Amplifiers
- High Speed Integrators
- Voltage to Frequency Converters
- Active Filters
- Log Amplifiers
- Peak Detectors

DESCRIPTION

The **LT[®]1122** JFET input operational amplifier combines high speed and precision performance.

A unique poly-gate JFET process minimizes gate series resistance and gate-to-drain capacitance, facilitating wide bandwidth performance, without degrading JFET transistor matching.

It slews at 80V/μs and settles in 340ns. The LT1122 is internally compensated to be unity-gain stable, yet it has a bandwidth of 14MHz at a supply current of only 7mA. Its speed makes the LT1122 an ideal choice for fast settling 12-bit data conversion and acquisition systems.

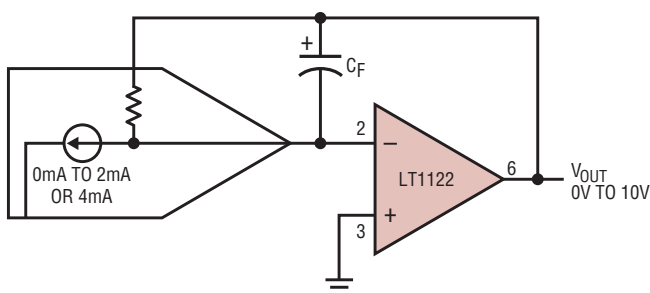
The LT1122 offset voltage of 120μV, and voltage gain of 500,000 also support the 12-bit accurate applications.

The input bias current of 10pA and offset current of 4pA combined with its speed allow the LT1122 to be used in such applications as high speed sample and hold amplifiers, peak detectors, and integrators.

LT, LT, LTC, LTM, Linear Technology and the Linear logo are registered trademarks and C-Load is a trademark of Linear Technology Corporation. All other trademarks are the property of their respective owners.

TYPICAL APPLICATION

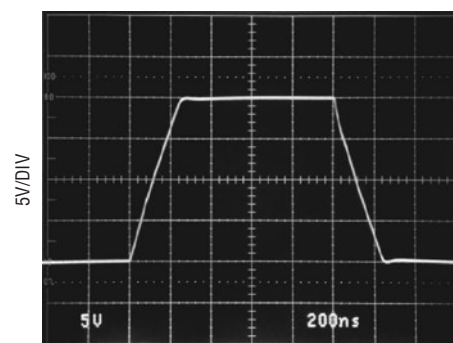
12-Bit Voltage Output D/A Converter



12-BIT CURRENT OUTPUT D/A CONVERTER
 $C_F = 5\text{pF TO } 17\text{pF}$
 (DEPENDENT ON D/A CONVERTER USED)

LT1122-TA01

Large-Scale Response



200ns/DIV
 $A_v = -1$

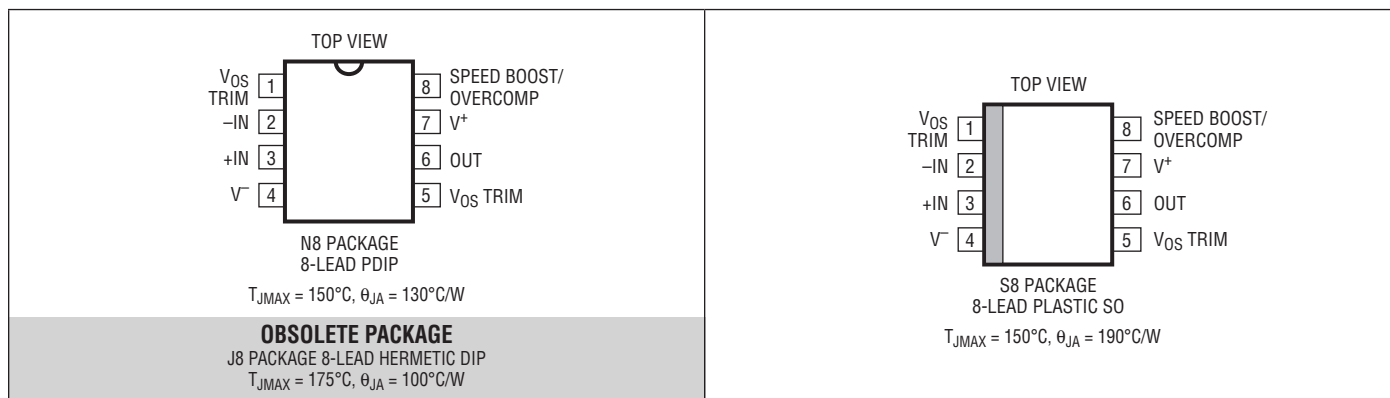
1122 TA07

LT1122

ABSOLUTE MAXIMUM RATINGS (Note 1)

| | | | |
|--|------------|---|----------------|
| Supply Voltage | ±20V | Operating Temperature Range | |
| Differential Input Voltage | ±40V | LT1122AM/BM/CM/DM (OBSOLETE).. | -55°C to 125°C |
| Input Voltage..... | ±20V | LT1122AC/BC/CC/DC/CS/DS | -40°C to 85°C |
| Output Short Circuit Duration | Indefinite | Storage Temperature Range | |
| Lead Temperature (Soldering, 10 sec.)..... | 300°C | All Devices | -65°C to 150°C |

PIN CONFIGURATION



ORDER INFORMATION

| LEAD FREE FINISH | TAPE AND REEL | PART MARKING | PACKAGE DESCRIPTION | TEMPERATURE RANGE |
|------------------|------------------|--------------|---------------------|-------------------|
| LT1122ACN8#PBF | LT1122ACN8#TRPBF | LT1122ACN8 | 8-Lead Plastic DIP | -40°C to 85°C |
| LT1122BCN8#PBF | LT1122BCN8#TRPBF | LT1122BCN8 | 8-Lead Plastic DIP | -40°C to 85°C |
| LT1122CCN8#PBF | LT1122CCN8#TRPBF | LT1122CCN8 | 8-Lead Plastic DIP | -40°C to 85°C |
| LT1122DCN8#PBF | LT1122DCN8#TRPBF | LT1122DCN8 | 8-Lead Plastic DIP | -40°C to 85°C |
| LT1122CS8#PBF | LT1122CS8#TRPBF | 1122C | 8-Lead Plastic SO | -40°C to 85°C |
| LT1122DS8#PBF | LT1122DS8#TRPBF | 1122D | 8-Lead Plastic SO | -40°C to 85°C |
| OBSOLETE PACKAGE | | | | |
| LT1122AMJ8#PBF | LT1122AMJ8#TRPBF | LT1122AMJ8 | 8-Lead Hermetic DIP | -55°C to 125°C |
| LT1122BMJ8#PBF | LT1122BMJ8#TRPBF | LT1122BMJ8 | 8-Lead Hermetic DIP | -55°C to 125°C |
| LT1122CMJ8#PBF | LT1122CMJ8#TRPBF | LT1122CMJ8 | 8-Lead Hermetic DIP | -55°C to 125°C |
| LT1122DMJ8#PBF | LT1122DMJ8#TRPBF | LT1122DMJ8 | 8-Lead Hermetic DIP | -55°C to 125°C |
| LT1122ACJ8#PBF | LT1122ACJ8#TRPBF | LT1122ACJ8 | 8-Lead Hermetic DIP | -40°C to 85°C |
| LT1122BCJ8#PBF | LT1122BCJ8#TRPBF | LT1122BCJ8 | 8-Lead Hermetic DIP | -40°C to 85°C |
| LT1122CCJ8#PBF | LT1122CCJ8#TRPBF | LT1122CCJ8 | 8-Lead Hermetic DIP | -40°C to 85°C |
| LT1122DCJ8#PBF | LT1122DCJ8#TRPBF | LT1122DCJ8 | 8-Lead Hermetic DIP | -40°C to 85°C |

Consult LTC Marketing for parts specified with wider operating temperature ranges.

Consult LTC Marketing for information on nonstandard lead based finish parts.

For more information on lead free part markings, go to: <http://www.linear.com/leadfree/>

For more information on tape and reel specifications, go to: <http://www.linear.com/tapeandreeel/>

ELECTRICAL CHARACTERISTICS The ● denotes the specifications which apply over the full operating temperature range, otherwise specifications are at $T_A = 25^\circ\text{C}$. $V_S = \pm 15\text{V}$, $V_{CM} = 0\text{V}$ unless otherwise noted. (Note 2)

| SYMBOL | PARAMETER | CONDITIONS | LT1122AM/BM LT1122AC/BC | | | LT1122CM/DM LT1122CC/DC LT1122CS/DS | | | UNITS | |
|-----------|--|---|----------------------------|------------|-----|---|------------|-----|------------------------|------------------------------|
| | | | MIN | TYP | MAX | MIN | TYP | MAX | | |
| V_{OS} | Input Offset Voltage | | 120 | 600 | | 130 | 900 | | μV | |
| I_{OS} | Input Offset Current | | 4 | 40 | | 5 | 50 | | pA | |
| I_B | Input Bias Current | | 10 | 75 | | 12 | 100 | | pA | |
| | Input Resistance Differential | | 10^{12} | | | 10^{12} | | | | Ω |
| | Common Mode | $V_{CM} = -10\text{V to } 8\text{V}$ | 10^{12} | | | 10^{12} | | | | Ω |
| | | $V_{CM} = 8\text{V to } 11\text{V}$ | 10^{11} | | | 10^{11} | | | | Ω |
| | Input Capacitance | | 4 | | | 4 | | | | pF |
| SR | Slew Rate | $A_V = -1$ | 60 | 80 | | 50 | 75 | | $\text{V}/\mu\text{s}$ | |
| | Settling Time (Note 2) | 10V to 0V, -10V to 0V 100% Tested: A- and C-Grades to 1mV at Sum Node B- and D-Grades to 1mV at Sum Node All Grades to 0.5mV at Sum Node | | 340 | 540 | | 350 | 590 | | ns |
| | | | | 350 | | | 360 | | | ns |
| | | | | 450 | | | 470 | | | ns |
| GBW | Gain-Bandwidth Product Power Bandwidth | $V_{OUT} = 20V_{P-P}$ | 14 | | | 13 | | | | MHz |
| | | | 1.2 | | | 1.1 | | | | MHz |
| A_{VOL} | Large-Signal Voltage Gain | $V_{OUT} = \pm 10\text{V}$, $R_L = 2\text{k}\Omega$ $V_{OUT} = \pm 10\text{V}$, $R_L = 600\Omega$ | 180 | 500 | | 150 | 450 | | V/mV | |
| | | | 130 | 250 | | 110 | 220 | | V/mV | |
| CMRR | Common-Mode Rejection Ratio | $V_{CM} = \pm 10\text{V}$ | 83 | 99 | | 80 | 98 | | dB | |
| | Input Voltage Range | (Note 4) | ± 10.5 | ± 11 | | ± 10.5 | ± 11 | | V | |
| PSRR | Power Supply Rejection Ratio | $V_S = \pm 10\text{V to } \pm 18\text{V}$ | 86 | 103 | | 82 | 101 | | dB | |
| | Input Noise Voltage | 0.1Hz to 10Hz | 3.0 | | | 3.3 | | | | μV_{P-P} |
| | Input Noise Voltage Density | $f_0 = 100\text{Hz}$ $f_0 = 10\text{kHz}$ | 25 | | | 27 | | | | $\text{nV}/\sqrt{\text{Hz}}$ |
| | | | 14 | | | 15 | | | | $\text{nV}/\sqrt{\text{Hz}}$ |
| | Input Noise Current Density | $f_0 = 100\text{Hz}$, $f_0 = 10\text{kHz}$ | 2 | | | 2 | | | | $\text{fA}/\sqrt{\text{Hz}}$ |
| V_{OUT} | Output Voltage Swing | $R_L = 2\text{k}\Omega$ $R_L = 600\Omega$ | ± 12 | ± 12.5 | | ± 12 | ± 12.5 | | V | |
| | | | ± 11.5 | ± 12 | | ± 11.5 | ± 12 | | V | |
| I_S | Supply Current | | 7.5 | 10 | | 7.8 | 11 | | mA | |
| | Minimum Supply Voltage | (Note 5) | ± 5 | | | ± 5 | | | | V |
| | Offset Adjustment Range | $R_{POT} \geq 10\text{k}$, Wiper to V^+ | ± 4 | ± 10 | | ± 4 | ± 10 | | mV | |

ELECTRICAL CHARACTERISTICS

The ● denotes the specifications which apply over the full operating temperature range, otherwise specifications are at $0^{\circ}\text{C} \leq T_A \leq 70^{\circ}\text{C}$. $V_S = \pm 15\text{V}$, $V_{CM} = 0\text{V}$. (Note 2)

| SYMBOL | PARAMETER | CONDITIONS | LT1122AC/BC | | | LT1122CC/DC LT1122CS/DS | | | UNITS |
|-----------|---|---|-------------|------------|------------|----------------------------|------------|------------|--------------------------------|
| | | | MIN | TYP | MAX | MIN | TYP | MAX | |
| V_{OS} | Input Offset Voltage | | ● | 350 | 1400 | | 400 | 2000 | μV |
| | Average Temperature Coefficient of Input Offset Voltage | | ● | 5 | 18 | | 6 | 25 | $\mu\text{V}/^{\circ}\text{C}$ |
| I_{OS} | Input Offset Current | | ● | 12 | 150 | | 15 | 200 | pA |
| I_B | Input Bias Current | | ● | 80 | 600 | | 90 | 800 | pA |
| A_{VOL} | Large-Signal Voltage Gain | $V_{OUT} = \pm 10\text{V}$, $R_L \geq 2\text{k}\Omega$ | ● | 120 | 380 | | 100 | 340 | V/mV |
| CMRR | Common-Mode Rejection Ratio | $V_{CM} = \pm 10\text{V}$ | ● | 82 | 98 | | 78 | 96 | dB |
| PSRR | Power Supply Rejection Ratio | $V_S = \pm 10\text{V}$ to $\pm 17\text{V}$ | ● | 84 | 101 | | 80 | 99 | dB |
| | Input Voltage Range | | ● | ± 10 | ± 10.8 | | ± 10 | ± 10.8 | V |
| V_{OUT} | Output Voltage Swing | $R_L = 2\text{k}\Omega$ | ● | ± 11.5 | ± 12.4 | | ± 11.5 | ± 12.4 | V |
| SR | Slew Rate | $A_V = -1$ | ● | 50 | 70 | | 40 | 65 | $\text{V}/\mu\text{s}$ |

The ● denotes the specifications which apply over the full operating temperature range, otherwise specifications are at $-55^{\circ}\text{C} \leq T_A \leq 125^{\circ}\text{C}$. $V_S = \pm 15\text{V}$, $V_{CM} = 0\text{V}$. (Note 2)

| SYMBOL | PARAMETER | CONDITIONS | LT1122AM/BM | | | LT1122CS/DS | | | UNITS |
|-----------|---|---|-------------|------------|------------|-------------|------------|------------|--------------------------------|
| | | | MIN | TYP | MAX | MIN | TYP | MAX | |
| V_{OS} | Input Offset Voltage | | ● | 650 | 2400 | | 800 | 3400 | μV |
| | Average Temperature Coefficient of Input Offset Voltage | | ● | 6 | 18 | | 7 | 25 | $\mu\text{V}/^{\circ}\text{C}$ |
| I_{OS} | Input Offset Current | | ● | 0.5 | 6 | | 0.6 | 9 | nA |
| I_B | Input Bias Current | | ● | 6 | 25 | | 7 | 35 | nA |
| A_{VOL} | Large-Signal Voltage Gain | $V_{OUT} = \pm 10\text{V}$, $R_L \geq 2\text{k}\Omega$ | ● | 70 | 230 | | 60 | 200 | V/mV |
| CMRR | Common-Mode Rejection Ratio | $V_{CM} = \pm 10\text{V}$ | ● | 80 | 97 | | 76 | 94 | dB |
| PSRR | Power Supply Rejection Ratio | $V_S = \pm 10\text{V}$ to $\pm 17\text{V}$ | ● | 83 | 100 | | 78 | 98 | dB |
| | Input Voltage Range | | ● | ± 10 | ± 10.5 | | ± 10 | ± 10.5 | V |
| V_{OUT} | Output Voltage Swing | $R_L = 2\text{k}\Omega$ | ● | ± 11.3 | ± 12.1 | | ± 11.3 | ± 12.1 | V |
| SR | Slew Rate | $A_V = -1$ | ● | 45 | 60 | | 35 | 55 | $\text{V}/\mu\text{s}$ |

The ● denotes the specifications which apply over the full operating temperature range, otherwise specifications are at $-40^{\circ}\text{C} \leq T_A \leq 85^{\circ}\text{C}$. $V_S = \pm 15\text{V}$, $V_{CM} = 0\text{V}$. (Note 6)

| SYMBOL | PARAMETER | CONDITIONS | LT1122AM/BM | | | LT1122CS/DS | | | UNITS |
|-----------|---|---|-------------|------------|------------|-------------|------------|------------|--------------------------------|
| | | | MIN | TYP | MAX | MIN | TYP | MAX | |
| V_{OS} | Input Offset Voltage | | ● | 450 | 1900 | | 500 | 2700 | μV |
| | Average Temperature Coefficient of Input Offset Voltage | | ● | 6 | 20 | | 7 | 28 | $\mu\text{V}/^{\circ}\text{C}$ |
| I_{OS} | Input Offset Current | | ● | 30 | 600 | | 40 | 900 | pA |
| I_B | Input Bias Current | | ● | 230 | 2000 | | 260 | 2700 | pA |
| A_{VOL} | Large-Signal Voltage Gain | $V_{OUT} = \pm 10\text{V}$, $R_L \geq 2\text{k}\Omega$ | ● | 95 | 340 | | 80 | 300 | V/mV |
| CMRR | Common-Mode Rejection Ratio | $V_{CM} = \pm 10\text{V}$ | ● | 80 | 98 | | 76 | 96 | dB |
| PSRR | Power Supply Rejection Ratio | $V_S = \pm 10\text{V}$ to $\pm 17\text{V}$ | ● | 83 | 100 | | 78 | 98 | dB |
| | Input Voltage Range | | ● | ± 10 | ± 10.6 | | ± 10 | ± 10.6 | V |
| V_{OUT} | Output Voltage Swing | $R_L = 2\text{k}\Omega$ | ● | ± 11.3 | ± 12.2 | | ± 11.3 | ± 12.2 | V |
| SR | Slew Rate | $A_V = -1$ | ● | 45 | 60 | | 35 | 60 | $\text{V}/\mu\text{s}$ |

ELECTRICAL CHARACTERISTICS

Note 1: Stresses beyond those listed under Absolute Maximum Ratings may cause permanent damage to the device. Exposure to any Absolute Maximum Rating condition for extended periods may affect device reliability and lifetime.

Note 2: The LT1122 is measured in an automated tester in less than one second after application of power. Depending on the package used, power dissipation, heat sinking, and air flow conditions, the fully warmed up chip temperature can be 10°C to 50°C higher than the ambient temperature.

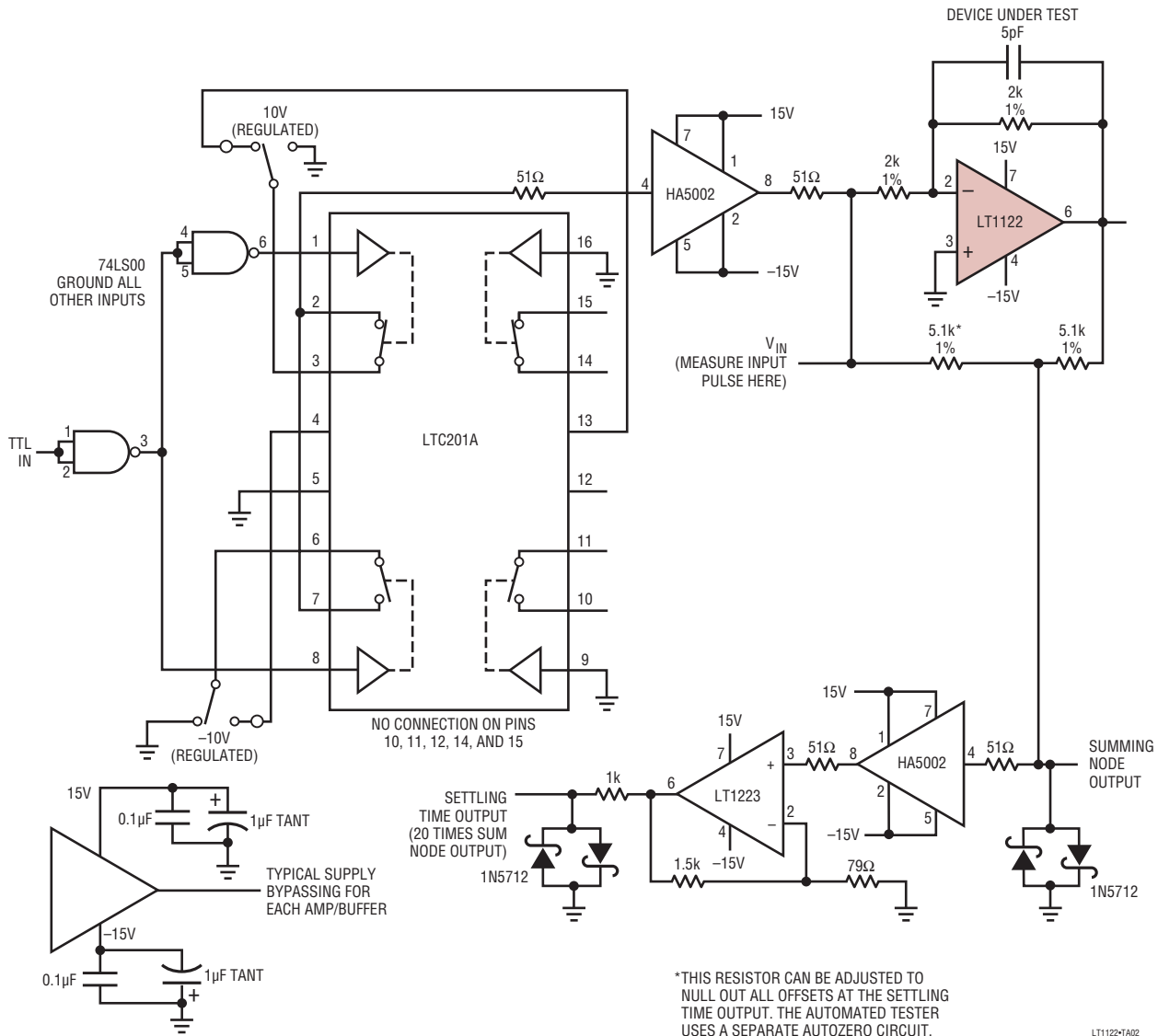
Note 3: Settling time is 100% tested for A- and C-grades using the settling time test circuit shown. This test is not included in quality assurance sample testing.

Note 4: Input voltage range functionality is assured by testing offset voltage at the input voltage range limits to a maximum of 4mV (A, B grades), to 5.7mV (C, D grades).

Note 5: Minimum supply voltage is tested by measuring offset voltage to 7mV maximum at ±5V supplies.

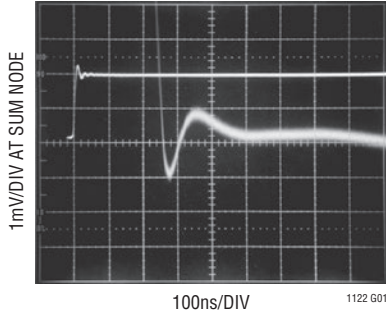
Note 6: The LT1122 is not tested and not quality-assurance-sampled at -40°C and at 85°C. These specifications are guaranteed by design, correlation and/or inference from -55°C, 0°C, 25°C, 70°C and/or 125°C tests.

Settling Time Test Fixture

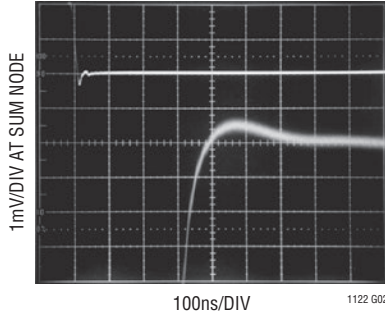


TYPICAL PERFORMANCE CHARACTERISTICS

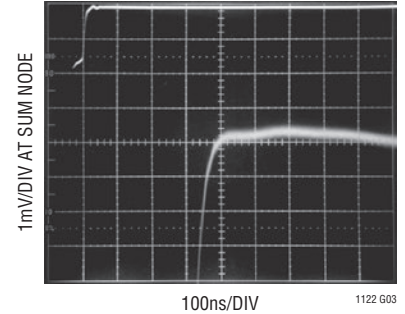
Settling Time
(Input from -10V to 0V)



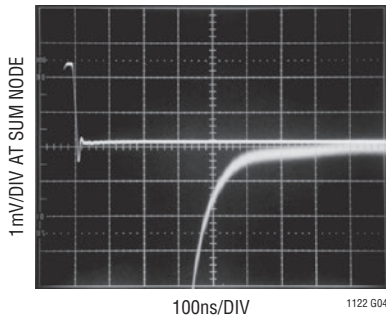
Settling Time
(Input from 10V to 0V)



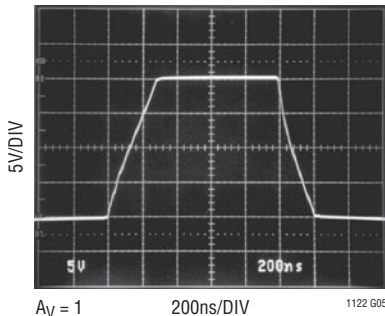
Settling Time
(Input from 0V to 10V)



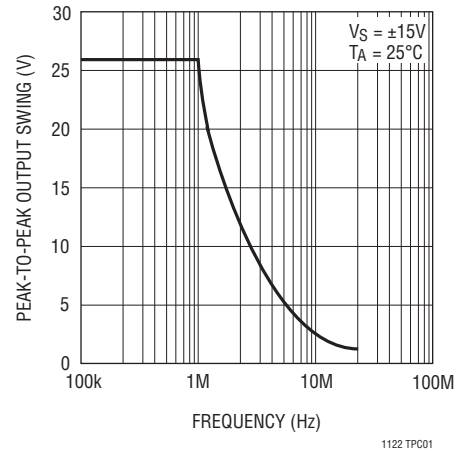
Settling Time
(Input from 0V to -10V)



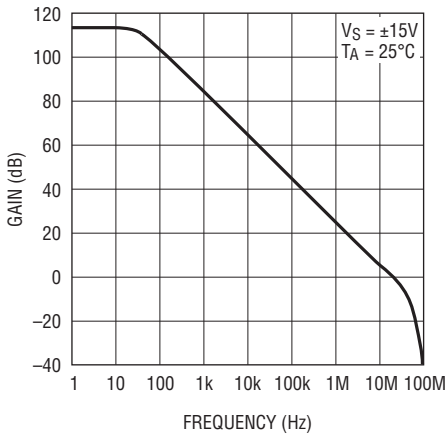
Large-Signal Response



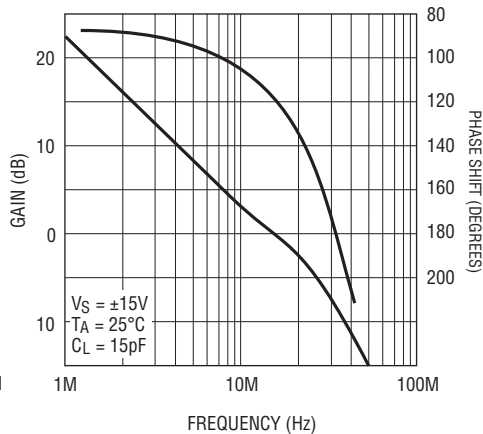
Undistorted Output Swing vs Frequency



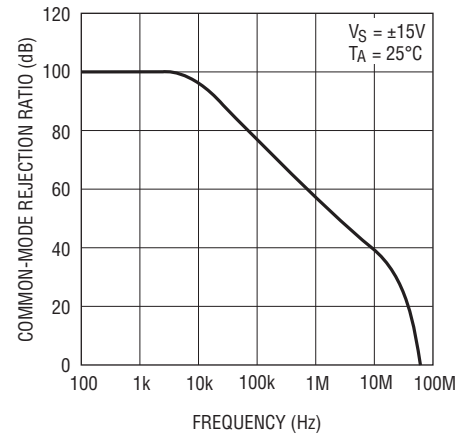
Voltage Gain vs Frequency



Gain, Phase vs Frequency

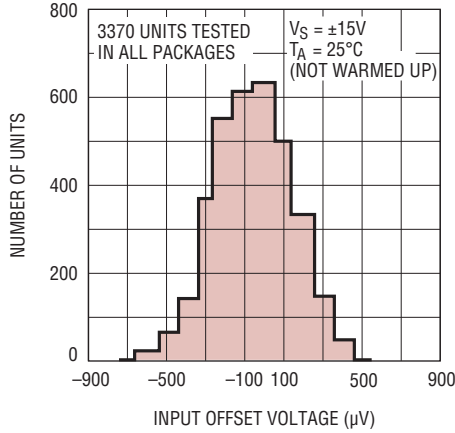


Common-Mode Rejection vs Frequency



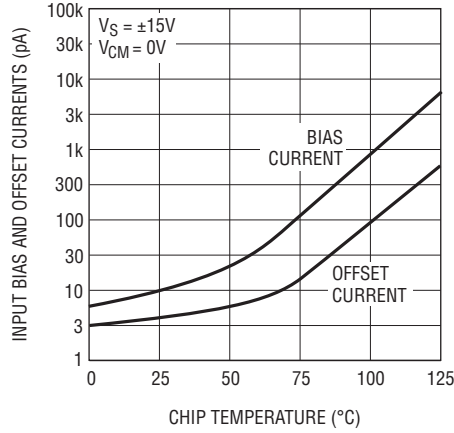
TYPICAL PERFORMANCE CHARACTERISTICS

Distribution of Input Offset Voltage



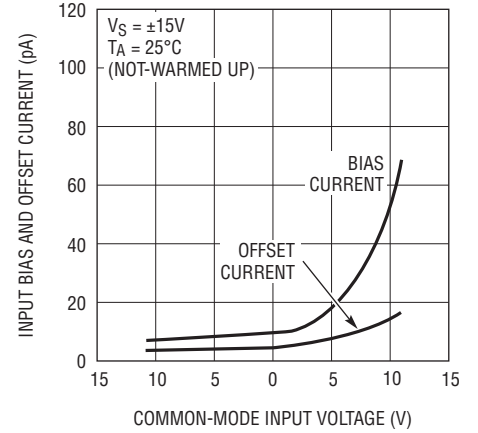
1122 TPC05

Input Bias and Offset Currents Over Temperature



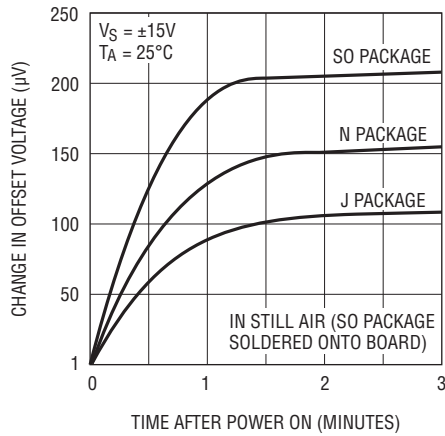
1122 TPC06

Bias and Offset Currents Over the Common-Mode Range



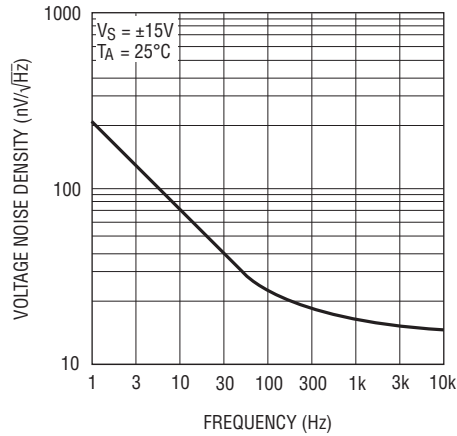
1122 TPC07

Warm-Up Drift



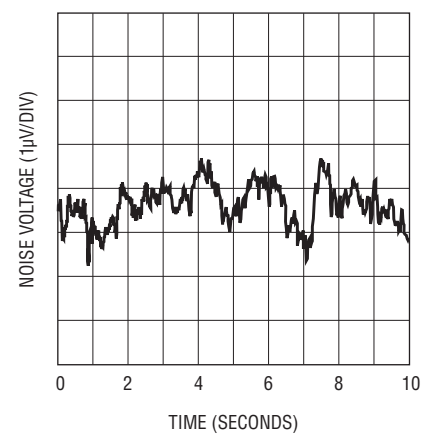
1122 TPC08

Noise Spectrum



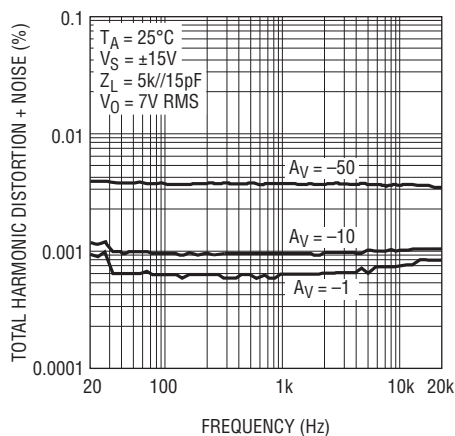
1122 TPC09

0.1Hz to 10Hz Noise



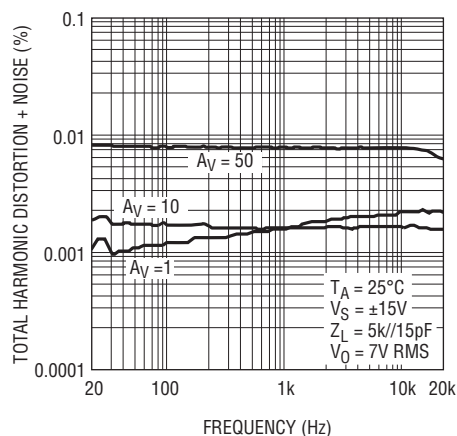
1122 TPC10

Total Harmonic Distortion + Noise vs Frequency Inverting Gain



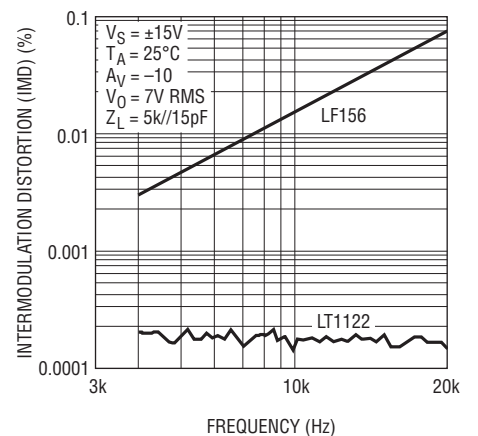
1122 TPC11

Total Harmonic Distortion + Noise vs Frequency Noninverting Gain



1122 TPC12

Intermodulation Distortion (CCIF Method) vs Frequency LT1122 and LF156*



*SEE LT1115 DATA SHEET FOR DEFINITION OF CCIF TESTING

1122 TPC13
1122fb

APPLICATIONS INFORMATION

Settling Time Measurements

Settling time test circuits shown on some competitive devices' data sheets require:

1. A "flat top" pulse generator. Unfortunately, flat top pulse generators are not commercially available.
2. A variable feedback capacitor around the device under test. This capacitor varies over a four-to-one range. Presumably, as each op amp is measured for settling time, the capacitor is fine tuned to optimize settling time for that particular device.
3. A small inductor load to optimize settling.

The LT1122's settling time is 100% tested in the test circuit shown. No "flat top" pulse generator is required. The test circuit can be readily constructed, using commercially available ICs. Of course, standard high frequency board construction techniques should be followed. All LT1122s are measured with a constant feedback capacitor. No fine tuning is required.

Speed Boost/Overcompensation Terminal

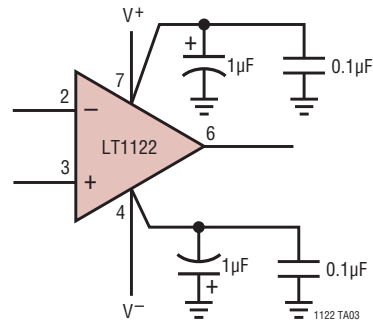
Pin 8 of the LT1122 can be used to change the input stage operating current of the device. Shorting Pin 8 to the positive supply (Pin 7) increases slew rate and bandwidth by about 25%, but at the expense of a reduction in phase margin by approximately 18 degrees. Unity-gain capacitive load handling decreases from typically 500pF to 100pF.

Conversely, connecting a 15k resistor from Pin 8 to ground pulls 1mA out of Pin 8 (with $V^+ = 15V$). This reduces slew rate and bandwidth by 25%. Phase margin and capacitive load handling improve; the latter typically increasing to 800pF.

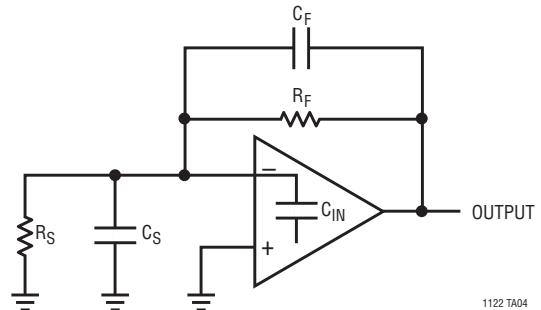
High Speed Operation

As with most high speed amplifiers, care should be taken with supply decoupling, lead dress and component placement.

The power supply connections to the LT1122 must maintain a low impedance to ground over a bandwidth of 20MHz. This is especially important when driving a significant resistive or capacitive load, since all current delivered to the load comes from the power supplies. Multiple high quality bypass capacitors are recommended for each power supply line in any critical application. A 0.1µF ceramic and a 1µF electrolytic capacitor, as shown, placed as close as possible to the amplifier (with short lead lengths to power supply common) will assure adequate high frequency bypassing, in most applications.



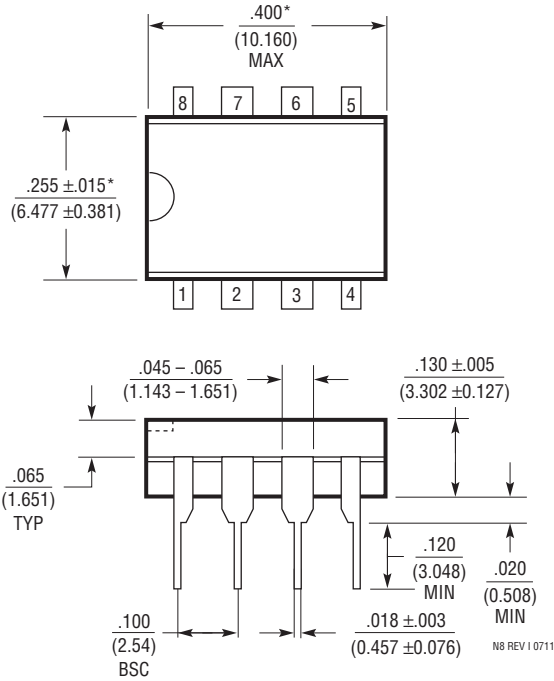
When the feedback around the op amp is resistive (R_F), a pole will be created with R_F , the source resistance and capacitance (R_S, C_S), and the amplifier input capacitance ($C_{IN} \approx 4pF$). In low closed-loop gain configurations and with R_S and R_F in the kilohm range, this pole can create excess phase shift and even oscillation. A small capacitor (C_F) in parallel with R_F eliminates this problem. With $R_S (C_S + C_{IN}) = R_F C_F$, the effect of the feedback pole is completely removed.



PACKAGE DESCRIPTION

Please refer to <http://www.linear.com/designtools/packaging/> for the most recent package drawings.

N Package
8-Lead PDIP (Narrow .300 Inch)
 (Reference LTC DWG # 05-08-1510 Rev I)



NOTE:
 1. DIMENSIONS ARE $\frac{\text{INCHES}}{\text{MILLIMETERS}}$
 *THESE DIMENSIONS DO NOT INCLUDE MOLD FLASH OR PROTRUSIONS.
 MOLD FLASH OR PROTRUSIONS SHALL NOT EXCEED .010 INCH (0.254mm)

PACKAGE DESCRIPTION

Please refer to <http://www.linear.com/designtools/packaging/> for the most recent package drawings.

J8 Package 3-Lead CERDIP (Narrow .300 Inch, Hermetic) (Reference LTC DWG # 05-08-1110)



NOTE: LEAD DIMENSIONS APPLY TO SOLDER DIP/PLATE OR TIN PLATE LEADS

J8 0801

OBsolete PACKAGE

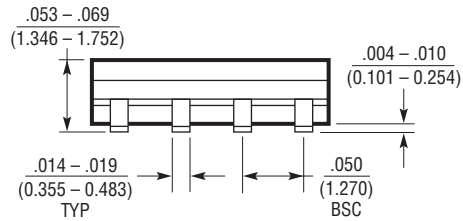
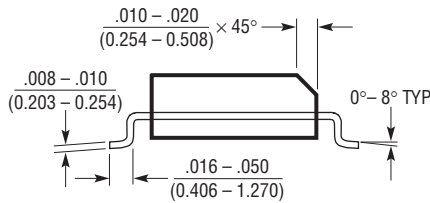
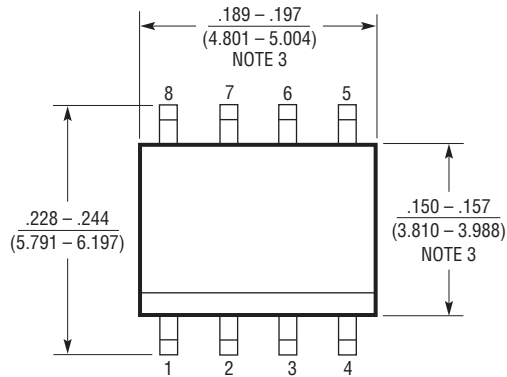
PACKAGE DESCRIPTION

Please refer to <http://www.linear.com/designtools/packaging/> for the most recent package drawings.

S8 Package 8-Lead Plastic Small Outline (Narrow .150 Inch) (Reference LTC DWG # 05-08-1610 Rev G)



RECOMMENDED SOLDER PAD LAYOUT



- NOTE:
 1. DIMENSIONS IN $\frac{\text{INCHES}}{\text{MILLIMETERS}}$
 2. DRAWING NOT TO SCALE
 3. THESE DIMENSIONS DO NOT INCLUDE MOLD FLASH OR PROTRUSIONS.
 MOLD FLASH OR PROTRUSIONS SHALL NOT EXCEED .006" (0.15mm)
 4. PIN 1 CAN BE BEVEL EDGE OR A DIMPLE

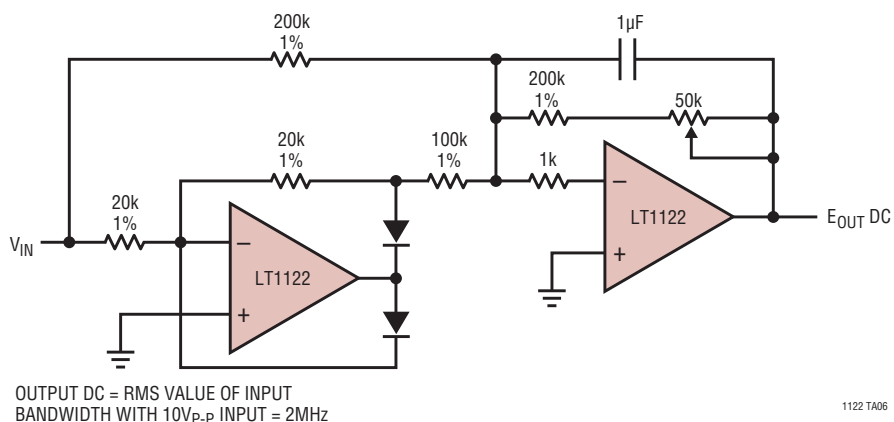
S08 REV G 0212

REVISION HISTORY (Revision history begins at Rev B)

| REV | DATE | DESCRIPTION | PAGE NUMBER |
|-----|-------|--|-------------|
| B | 02/14 | Updated data sheet to current standards. New Order Information Table, Package Descriptions | 2, 10-12 |

TYPICAL APPLICATION

Wide-Band, Filtered, Full Wave Rectifier



RELATED PARTS

| PART NUMBER | DESCRIPTION | COMMENTS |
|-------------------------------|-----------------------------------|---|
| LT1022 | High Speed Precision JFET Op Amp | 23V/µs Min Slew Rate, 250µV V _{OS} |
| LT1055/LT1056 | Precision High Speed JFET Op Amps | 16V/µs Slew Rate, 150µV V _{OS} |
| LT1464 | 1MHz C-Load™ Stable JFET Op Amp | Capacitive Loads Up to 10nF |
| LTC®6244 | 50MHz Low Noise CMOS Op Amp | 1pA I _B , 100µV Max V _{OS} , 1.5µV _{p-p} , 0.1Hz to 10Hz Noise |

Компания «Океан Электроники» предлагает заключение долгосрочных отношений при поставках импортных электронных компонентов на взаимовыгодных условиях!

Наши преимущества:

- Поставка оригинальных импортных электронных компонентов напрямую с производств Америки, Европы и Азии, а так же с крупнейших складов мира;
- Широкая линейка поставок активных и пассивных импортных электронных компонентов (более 30 млн. наименований);
- Поставка сложных, дефицитных, либо снятых с производства позиций;
- Оперативные сроки поставки под заказ (от 5 рабочих дней);
- Экспресс доставка в любую точку России;
- Помощь Конструкторского Отдела и консультации квалифицированных инженеров;
- Техническая поддержка проекта, помощь в подборе аналогов, поставка прототипов;
- Поставка электронных компонентов под контролем ВП;
- Система менеджмента качества сертифицирована по Международному стандарту ISO 9001;
- При необходимости вся продукция военного и аэрокосмического назначения проходит испытания и сертификацию в лаборатории (по согласованию с заказчиком);
- Поставка специализированных компонентов военного и аэрокосмического уровня качества (Xilinx, Altera, Analog Devices, Intersil, Interpoint, Microsemi, Actel, Aeroflex, Peregrine, VPT, Syfer, Eurofarad, Texas Instruments, MS Kennedy, Miteq, Cobham, E2V, MA-COM, Hittite, Mini-Circuits, General Dynamics и др.);

Компания «Океан Электроники» является официальным дистрибьютором и эксклюзивным представителем в России одного из крупнейших производителей разъемов военного и аэрокосмического назначения «JONHON», а так же официальным дистрибьютором и эксклюзивным представителем в России производителя высокотехнологичных и надежных решений для передачи СВЧ сигналов «FORSTAR».



JONHON

«JONHON» (основан в 1970 г.)

Разъемы специального, военного и аэрокосмического назначения:

(Применяются в военной, авиационной, аэрокосмической, морской, железнодорожной, горно- и нефтедобывающей отраслях промышленности)

«FORSTAR» (основан в 1998 г.)

ВЧ соединители, коаксиальные кабели, кабельные сборки и микроволновые компоненты:

(Применяются в телекоммуникациях гражданского и специального назначения, в средствах связи, РЛС, а так же военной, авиационной и аэрокосмической отраслях промышленности).



Телефон: 8 (812) 309-75-97 (многоканальный)

Факс: 8 (812) 320-03-32

Электронная почта: ocean@oceanchips.ru

Web: <http://oceanchips.ru/>

Адрес: 198099, г. Санкт-Петербург, ул. Калинина, д. 2, корп. 4, лит. А