

## Description

The 9FGV1005 is a member of IDT's PhiClock™ programmable clock generator family. The 9FGV1005 provides two copies of a single non-spread spectrum output frequency and one copy of the crystal reference input. Two select pins allow for hardware selection of the desired configuration, or two I<sup>2</sup>C bits allow easy software selection of the desired configuration. The user may configure any one of the four OTP configurations as the default when operating in I<sup>2</sup>C mode. Four unique I<sup>2</sup>C addresses are available, allowing easy I<sup>2</sup>C access to multiple components.

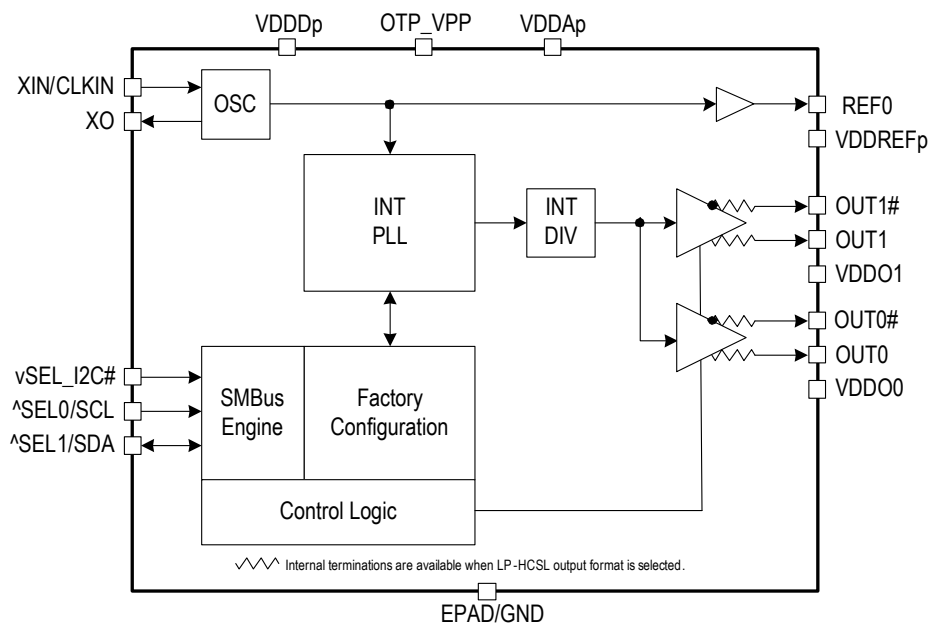
## Typical Applications

- HPC
- Storage
- 10G/25G Ethernet
- Fiber Optic Modules
- SSDs
- NVLink

## Output Features

- 1 integer output frequency per configuration
- 2 programmable output pairs plus 1 LVCMOS REF output
- 10MHz–325MHz output frequency (LVDS or LP-HCSL)
- 10MHz–200MHz output frequency (LVCMOS)

## Block Diagram



## Features

- 1.8V to 3.3V operation
- Individual 1.8V to 3.3V V<sub>DDO</sub> for each programmable output pair
- Supports HCSL, LVDS and LVCMOS I/O standards
- Supports LVPECL and CML logic with easy AC coupling – see application note [AN-891](#) for alternate terminations
- HCSL utilizes IDT's LP-HCSL technology for improved performance, lower power and higher integration:
  - Programmable output impedance of 85 or 100Ω
- On-board OTP supports up to 4 complete configurations
- Configuration selected via strapping pins or I<sup>2</sup>C
- < 100mW at 1.8V, < 200mW at 3.3V (LP-HCSL outputs running at 100MHz)
- 4 programmable I<sup>2</sup>C addresses: D0/D1, D2/D3, D4/D5, D6/D7 read/write
- Supported by IDT [Timing Commander™](#) software
- 3 × 3 mm 16-LGA with integrated crystal option (9FGV1005Q)

## Key Specifications

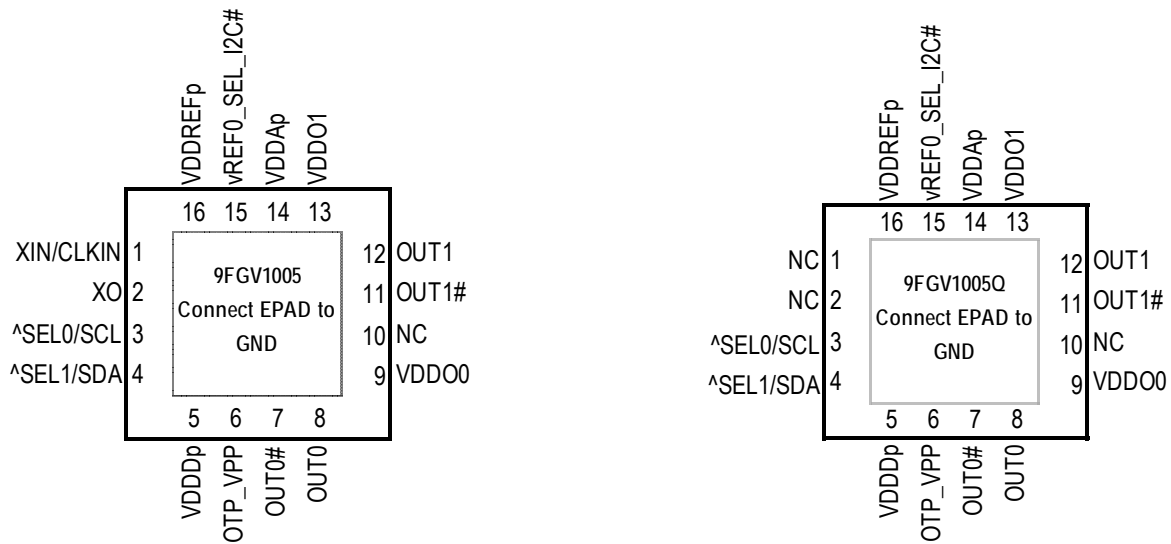
- 259fs rms typical phase jitter outputs at 156.25MHz (12kHz–20MHz)
- PCIe Gen1–4 compliant

## PCIe Clocking Architectures

- Common Clocked (CC)
- Independent Reference without spread spectrum (SRnS)

## Pin Assignments

Figure 1. Pin Assignments for 3 x 3 mm 16-LGA Package – Top View



16-LGA 3 x 3 mm, 0.5mm pitch  
 ^ prefix indicates internal pull-up resistor  
 v prefix indicates internal pull-down resistor

16-LGA 3 x 3 mm, 0.5mm pitch  
 ^ prefix indicates internal pull-up resistor  
 v prefix indicates internal pull-down resistor

## Pin Descriptions

Table 1. Pin Descriptions

| Number | Name              | Type   | Description   |
|--------|-------------------|--------|---|
| 1 [a]  | XIN/CLKIN         | Input  | Crystal input or reference clock input.   |
| 2 [a]  | XO                | Output | Crystal output.   |
| 3      | ^SEL0/SCL         | Input  | Select pin for internal frequency configurations/I <sup>2</sup> C clock pin. Function is determined by state of SEL_I2C# upon power-up. This pin has an internal pull-up. |
| 4      | ^SEL1/SDA         | I/O    | Select pin for internal frequency configurations/I <sup>2</sup> C data pin. Function is determined by state of SEL_I2C# upon power-up. This pin has an internal pull-up.  |
| 5      | V <sub>DDDP</sub> | Power  | Digital power. 1.8V to 3.3V. V <sub>DDAp</sub> and V <sub>DDDP</sub> should be connected to the same power supply.  |
| 6      | OTP_VPP           | Power  | Voltage for programming OTP. During normal operation, this pin should be connected to the same power rail as V <sub>DD</sub> .  |
| 7      | OUT0#             | Output | Complementary output clock 0.   |
| 8      | OUT0              | Output | Output clock 0.   |
| 9      | V <sub>DDO0</sub> | Power  | Power supply for output 0.  |
| 10     | NC                | —      | No connect.   |
| 11     | OUT1#             | Output | Complementary output clock 1.   |
| 12     | OUT1              | Output | Output clock 1.   |
| 13     | V <sub>DDO1</sub> | Power  | Power supply for output 1.  |

Table 1. Pin Descriptions (Cont.)

| Number | Name                | Type        | Description  |
|--------|---------------------|-------------|--|
| 14     | V <sub>DDAp</sub>   | Power       | Power supply for analog circuits. V <sub>DDAp</sub> and V <sub>DDp</sub> should be connected to the same power supply. Programmable for nominal voltages of 1.8V, 2.5V or 3.3V.  |
| 15     | vREF0_SEL_I2C#      | Latched I/O | Latched input/LVCMOS output. At power-up, the state of this pin is latched to select the state of the I <sup>2</sup> C pins. After power-up, the pin acts as an LVCMOS reference output. This pin has an internal pull-down.<br>1 = SEL0/SEL1.<br>0 = SCL/SDA. |
| 16     | V <sub>DDREFp</sub> | Power       | Power supply for REF0 and REF1 and the internal XO. Programmable to 1.8V, 2.5V or 3.3V.  |
| 17     | EPAD                | GND         | Connect to ground.   |

Note: Unused outputs can be programmed off and left floating. V<sub>DDREF</sub> and V<sub>DDO0</sub> have to be connected.

<sup>[a]</sup> These pins are 'No Connect' on 9FGV1005Q integrated quartz versions. See *Pin Assignments* diagram for 9FGV1005Q.

## Absolute Maximum Ratings

The absolute maximum ratings are stress ratings only. Stresses greater than those listed below can cause permanent damage to the device. Functional operation of the 9FGV1005 at absolute maximum ratings is not implied. Exposure to absolute maximum rating conditions may affect device reliability.

Table 2. Absolute Maximum Ratings

| Parameter   | Rating                    |
|---|---------------------------|
| Supply Voltage, $V_{DDA}$ , $V_{DDD}$ , $V_{DDO}$ | 3.465V                    |
| Storage Temperature, $T_{STG}$                    | -65°C to 150°C            |
| ESD Human Body Model                              | 2000V                     |
| Junction Temperature                              | 125°C                     |
| <b>Inputs</b>                                     |                           |
| XIN/CLKIN   | 0V to 1.2V voltage swing  |
| Other Inputs                                      | -0.5V to $V_{DDD}$        |
| <b>Outputs</b>                                    |                           |
| Outputs, $V_{DDO}$ (LVCMOS)                       | -0.5V to $V_{DDO} + 0.5V$ |
| Outputs, IO (SDA)                                 | 10mA                      |

## Thermal Characteristics

Table 3. Thermal Characteristics <sup>1</sup>

| Parameter   | Symbol         | Conditions                       | Package | Typical Values | Units | Notes |
|---|----------------|----------------------------------|---------|----------------|-------|-------|
| Thermal Resistance<br>(devices with external crystal)             | $\theta_{JC}$  | Junction to case.                | LTG16   | 66             | °C/W  | 1     |
|   | $\theta_{Jb}$  | Junction to base.                |         | 5.1            | °C/W  | 1     |
|   | $\theta_{JA0}$ | Junction to air, still air.      |         | 63             | °C/W  | 1     |
|   | $\theta_{JA1}$ | Junction to air, 1 m/s air flow. |         | 56             | °C/W  | 1     |
|   | $\theta_{JA3}$ | Junction to air, 3 m/s air flow. |         | 51             | °C/W  | 1     |
|   | $\theta_{JA5}$ | Junction to air, 5 m/s air flow. |         | 49             | °C/W  | 1     |
| Thermal Resistance<br>Q-series (devices with internal<br>crystal) | $\theta_{JC}$  | Junction to case.                | LTG16   | 82.1           | °C/W  | 1     |
|   | $\theta_{Jb}$  | Junction to base.                |         | 42.3           | °C/W  | 1     |
|   | $\theta_{JA0}$ | Junction to air, still air.      |         | 93.6           | °C/W  | 1     |
|   | $\theta_{JA1}$ | Junction to air, 1 m/s air flow. |         | 87.1           | °C/W  | 1     |
|   | $\theta_{JA3}$ | Junction to air, 3 m/s air flow. |         | 83.3           | °C/W  | 1     |

<sup>1</sup> EPAD soldered to board.

## Recommended Operating Conditions

Table 4. Recommended Operating Conditions

| Symbol     | Parameter   | Minimum | Typical | Maximum | Units |
|------------|---|---------|---------|---------|-------|
| $V_{DDOx}$ | Power supply voltage for supporting 1.8V outputs.   | 1.71    | 1.8     | 1.89    | V     |
|            | Power supply voltage for supporting 2.5V outputs.   | 2.375   | 2.5     | 2.625   | V     |
|            | Power supply voltage for supporting 3.3V outputs.   | 3.135   | 3.3     | 3.465   | V     |
| $V_{DDD}$  | Power supply voltage for core logic functions.  | 1.71    |         | 3.465   | V     |
| $V_{DDA}$  | Analog power supply voltage. Use filtered analog power supply if available.                         | 1.71    |         | 3.465   | V     |
| $T_A$      | Operating temperature, ambient.   | -40     |         | 85      | °C    |
| $C_L$      | Maximum load capacitance (3.3V LVCMOS only).  |         |         | 15      | pF    |
| $t_{PU}$   | Power-up time for all $V_{DDs}$ to reach minimum specified voltage (power ramps must be monotonic). | 0.05    |         | 5       | ms    |

## Electrical Characteristics

$V_{DDx} = 3.3V \pm 5\%$ ,  $2.5V \pm 5\%$ ,  $1.8V \pm 5\%$ ,  $T_A = -40^\circ\text{C}$  to  $+85^\circ\text{C}$  unless stated otherwise.

Table 5. Common Electrical Characteristics

| Parameter                   | Symbol     | Conditions                     | Minimum                 | Typical | Maximum           | Units | Notes |
|-----------------------------|------------|--------------------------------|-------------------------|---------|-------------------|-------|-------|
| Input Frequency             | $f_{IN}$   | Crystal input frequency.       | 8                       |         | 50                | MHz   | 1     |
|                             |            | CLKIN input frequency.         | 1                       |         | 240               | MHz   | 5     |
| Output Frequency            | $f_{OUT}$  | Differential clock output.     | 10                      |         | 325               | MHz   |       |
|                             |            | Single-ended clock output.     | 10                      |         | 200               | MHz   |       |
| VCO Frequency               | $f_{VCO}$  | VCO operating frequency range. | 2400                    | 2500    | 2600              | MHz   |       |
| Loop Bandwidth              | $f_{BW}$   | Input frequency = 25MHz.       | 0.06                    |         | 0.9               | MHz   |       |
| Input High Voltage          | $V_{IH}$   | SEL[1:0].                      | $0.7 \times V_{DDD}$    |         | $V_{DDD} + 0.3$   | V     |       |
| Input Low Voltage           | $V_{IL}$   | SEL[1:0].                      | GND - 0.3               |         | 0.8               | V     |       |
| Input High Voltage          | $V_{IH}$   | REF/SEL_I2C#.                  | $0.65 \times V_{DDREF}$ |         | $V_{DDREF} + 0.3$ | V     |       |
| Input Low Voltage           | $V_{IL}$   | REF/SEL_I2C#.                  | -0.3                    |         | 0.4               | V     |       |
| Input High Voltage          | $V_{IH}$   | XIN/CLKIN.                     | 0.8                     |         | 1.2               | V     |       |
| Input Low Voltage           | $V_{IL}$   | XIN/CLKIN.                     | -0.3                    |         | 0.4               | V     |       |
| Input Rise/Fall Time        | $T_R/T_F$  | SEL1/SDA, SEL0/SCL.            |                         |         | 300               | ns    |       |
| Input Capacitance           | $C_{IN}$   | SEL[1:0].                      |                         | 3       | 7                 | pF    |       |
| Internal Pull-up Resistor   | $R_{UP}$   | SEL[1:0] at 25°C.              | 200                     | 237     | 300               | kΩ    |       |
| Internal Pull-down Resistor | $R_{DOWN}$ | REF/SEL_I2C#.                  | 200                     | 237     | 300               | kΩ    |       |

Table 5. Common Electrical Characteristics (Cont.)

| Parameter  | Symbol | Conditions   | Minimum | Typical | Maximum | Units  | Notes |
|--|--------|--|---------|---------|---------|--------|-------|
| Programmable Capacitance at XIN and XO (XIN in parallel with XO) | $C_L$  | XIN/CLKIN, XO.   | 0       |         | 8       | pF     |       |
| Input Duty Cycle   | t2     | CLKIN, measured at $V_{DDREF}/2$ .   | 40      | 50      | 60      | %      |       |
| Output Duty Cycle  | t3     | LVC MOS, $f_{OUT} > 156.25\text{MHz}$ .  | 40      | 50      | 60      | %      |       |
|  |        | LVC MOS, $f_{OUT} \leq 156.25\text{MHz}$ .   | 45      | 50      | 55      | %      |       |
|  |        | LVDS, LP-HCSL outputs.   | 45      | 50.2    | 55      | %      |       |
| Clock Jitter   | t6     | Cycle-to-cycle jitter (peak-to-peak), See "Test Frequencies for Jitter Measurements in Common Electrical Characteristics" for configurations.  |         | 30      | 50      | ps     | 4     |
|  |        | Reference clock RMS phase jitter (12kHz to 5MHz integration range). See "Test Frequencies for Jitter Measurements in Common Electrical Characteristics" for configurations.          |         | 284     |         | fs rms | 4     |
|  |        | OUTx RMS phase jitter(12kHz to 20MHz integration range) differential output. See "Test Frequencies for Jitter Measurements in Common Electrical Characteristics" for configurations. |         | 259     |         | fs rms | 4     |
| Output Skew  | t7     | Skew between the same frequencies, with outputs using the same driver format.  |         | 37      | 50      | ps     |       |
| Lock Time  | t8     | PLL lock time from power-up.   |         | 5       | 10      | ms     | 2,3   |

<sup>1</sup> Practical lower frequency is determined by loop filter settings.

<sup>2</sup> Includes loading the configuration bits from OTP to registers.

<sup>3</sup> Actual PLL lock time depends on the loop configuration.

<sup>4</sup> Actual jitter is configuration dependent. These values are representative of what the device can achieve.

<sup>5</sup> Input doubler off. Maximum input frequency with input doubler on is 160MHz.

Table 6. Test Frequencies for Jitter Measurements in Common Electrical Characteristics Table

$V_{DDX} = 3.3V \pm 5\%$ ,  $2.5V \pm 5\%$ ,  $1.8V \pm 5\%$ ,  $T_A = -40^\circ\text{C}$  to  $+85^\circ\text{C}$  unless stated otherwise.

| Device     | XIN/CLKIN | OUT0   | OUT1 | Unit | Notes |
|------------|-----------|--------|------|------|-------|
| 9FGV1005   | 50        | 156.25 |      | MHz  | 1,3   |
| 9FGV1005Q5 | 50        | 100    |      | MHz  | 2,3   |

<sup>1</sup> This configuration used for 12kHz–20MHz phase jitter measurement.

<sup>2</sup> This configuration used for PCIe filtered phase jitter measurements.

<sup>3</sup> Outputs configured as LP-HCSL or LVDS with REF output off, unless noted.

Table 7. LVCMOS Output Electrical Characteristics

| Parameter                         | Symbol     | Conditions  | Minimum              | Typical | Maximum   | Units    |
|-----------------------------------|------------|---|----------------------|---------|-----------|----------|
| Slew Rate                         | $S_R$      | 3.3V $\pm$ 5%, 20% to 80% of $V_{DDO}$ (output load = 4.7pF). | 2.5                  | 3.7     | 4.6       | V/ns     |
|                                   |            | 2.5V $\pm$ 5%, 20% to 80% of $V_{DDO}$ (output load = 4.7pF). | 1.5                  | 2.4     | 4.6       |          |
|                                   |            | 1.8V $\pm$ 5%, 20% to 80% of $V_{DDO}$ (output load = 4.7pF). | 0.8                  | 1.7     | 3.5       |          |
| Output High Voltage               | $V_{OH}$   | $I_{OH} = -15mA$ at 3.3V.                                     | $0.8 \times V_{DDO}$ |         | $V_{DDO}$ | V        |
|                                   |            | $I_{OH} = -12mA$ at 2.5V.                                     |                      |         |           |          |
|                                   |            | $I_{OH} = -8mA$ at 1.8V.                                      |                      |         |           |          |
| Output Low Voltage                | $V_{OL}$   | $I_{OL} = 15mA$ at 3.3V.                                      |                      | 0.22    | 0.4       | V        |
|                                   |            | $I_{OL} = 12mA$ at 2.5V.                                      |                      |         |           |          |
|                                   |            | $I_{OL} = 8mA$ at 1.8V.                                       |                      |         |           |          |
| Output Leakage Current (OUT[0:1]) | $I_{OZDD}$ | Programmable outputs, tri-state, $V_{DDO} = 3.465V$ .         |                      | 0       | 5         | $\mu A$  |
| Output Leakage Current (REF)      | $I_{OZDD}$ | REF outputs, tri-state, $V_{DDO} = 3.465V$ .                  |                      | 0       | 5         | $\mu A$  |
| CMOS Output Driver Impedance      | $R_{OUT}$  | $T_A = 25^\circ C$ .  |                      | 17      |           | $\Omega$ |

Table 8. LVDS Output Electrical Characteristics

| Parameter  | Symbol          | Minimum | Typical | Maximum | Units |
|--|-----------------|---------|---------|---------|-------|
| Differential Output Voltage for the TRUE Binary State                    | $V_{OT} (+)$    | 247     | 328     | 454     | mV    |
| Differential Output Voltage for the FALSE Binary State                   | $V_{OT} (-)$    | -454    | -332    | -247    | mV    |
| Change in $V_{OT}$ between Complementary Output States                   | $\Delta V_{OT}$ |         |         | 50      | mV    |
| Output Common Mode Voltage (Offset Voltage) at 3.3V +5% & 2.5V +5%       | $V_{OS}$        | 1.125   | 1.19    | 1.55    | V     |
| Output Common Mode Voltage (Offset Voltage) at 1.8V +5%                  | $V_{OS}$        | 0.8     | 0.86    | 0.95    | V     |
| Change in $V_{OS}$ between Complementary Output States                   | $\Delta V_{OS}$ |         | 0       | 50      | mV    |
| Outputs Short Circuit Current, $V_{OUT+}$ or $V_{OUT-} = 0V$ or $V_{DD}$ | $I_{OS}$        |         | 6       | 12      | mA    |
| Differential Outputs Short Circuit Current, $V_{OUT+} = V_{OUT-}$        | $I_{OSD}$       |         | 3       | 12      | mA    |
| Rise Times Tested at 20% – 80%   | $T_R$           |         | 257     | 400     | ps    |
| Fall Times Tested at 80% – 20%   | $T_F$           |         | 287     | 400     | ps    |

Table 9. Low-Power (LP) Push-Pull HCSL Differential Outputs

 $V_{DD0} = 3.3V \pm 5\%$ ,  $2.5V \pm 5\%$ ,  $1.8V \pm 5\%$ ,  $T_A = -40^\circ C$  to  $+85^\circ C$  unless stated otherwise.

| Parameter                | Symbol             | Conditions           | Minimum | Typical | Maximum | Units | Notes    |
|--------------------------|--------------------|----------------------|---------|---------|---------|-------|----------|
| Slew Rate                | $T_{R/F}$          | Scope averaging on.  | 1       | 2.5     | 4       | V/ns  | 2,3,16   |
| Slew Rate Matching       | $\Delta T_{R/F}$   |                      |         | 9       | 20      | %     | 1,14,16  |
| Crossing Voltage (abs)   | $V_{CROSS}$        | Scope averaging off. | 250     | 424     | 550     | mV    | 1,4,5,16 |
| Crossing Voltage (var)   | $\Delta V_{CROSS}$ | Scope averaging off. |         | 16      | 140     | mV    | 1,4,9,16 |
| Voltage High             | $V_{HIGH}$         |                      | 660     | 785     | 850     | mV    | 1        |
| Voltage Low              | $V_{LOW}$          |                      | -150    | 13      | 150     | mV    | 1        |
| Absolute Maximum Voltage | $V_{MAX}$          |                      |         | 808     | 1150    | mV    | 1,7,15   |
| Absolute Minimum Voltage | $V_{MIN}$          |                      | -300    | -54     |         | mV    | 1,8,15   |

<sup>1</sup> Measured from single-ended waveform.

<sup>2</sup> Measured from differential waveform.

<sup>3</sup> Measured from -150mV to +150mV on the differential waveform (derived from REFCLK+ minus REFCLK-). The signal must be monotonic through the measurement region for rise and fall time. The 300mV measurement window is centered on the differential zero crossing.

<sup>4</sup> Measured at crossing point where the instantaneous voltage value of the rising edge of REFCLK+ equals the falling edge of REFCLK-.

<sup>5</sup> Refers to the total variation from the lowest crossing point to the highest, regardless of which edge is crossing. Refers to all crossing points for this measurement.

<sup>6</sup> Defined as the absolute minimum or maximum instantaneous period. This includes cycle to cycle jitter, relative ppm tolerance, and spread spectrum modulation.

<sup>7</sup> Defined as the maximum instantaneous voltage including overshoot.

<sup>8</sup> Defined as the minimum instantaneous voltage including undershoot.

<sup>9</sup> Defined as the total variation of all crossing voltages of rising REFCLK+ and falling REFCLK-. This is the maximum allowed variance in  $V_{CROSS}$  for any particular system.

<sup>10</sup> Refer to section 4.3.7.1.1 of the PCI Express Base Specification, Revision 3.0 for information regarding ppm considerations.

<sup>11</sup> System board compliance measurements must use the test load. REFCLK+ and REFCLK- are to be measured at the load capacitors  $C_L$ . Single ended probes must be used for measurements requiring single ended measurements. Either single ended probes with math or differential probe can be used for differential measurements. Test load  $C_L = 2pF$ .

<sup>12</sup>  $T_{STABLE}$  is the time the differential clock must maintain a minimum  $\pm 150mV$  differential voltage after rising/falling edges before it is allowed to droop back into the  $VRB \pm 100mV$  differential range.

<sup>13</sup> "ppm" refers to parts per million and is a DC absolute period accuracy specification. 1 ppm is 1/1,000,000th of 100.000000MHz exactly or 100Hz. For 300ppm, then we have an error budget of  $100Hz/ppm \times 300 ppm = 30kHz$ . The period is to be measured with a frequency counter with measurement window set to 100ms or greater. The  $\pm 300 ppm$  applies to systems that do not employ spread spectrum clocking, or that use common clock source. For systems employing spread spectrum clocking, there is an additional 2,500 ppm nominal shift in maximum period resulting from the 0.5% down spread resulting in a maximum average period specification of +2,800 ppm.

<sup>14</sup> Matching applies to rising edge rate for REFCLK+ and falling edge rate for REFCLK-. It is measured using a  $\pm 75mV$  window centered on the median cross point where REFCLK+ rising meets REFCLK- falling. The median cross point is used to calculate the voltage thresholds the oscilloscope is to use for the edge rate calculations. The rise edge rate of REFCLK+ should be compared to the fall edge rate of REFCLK-; the maximum allowed difference should not exceed 20% of the slowest edge rate.

<sup>15</sup> At default amplitude settings.

<sup>16</sup> Guaranteed by design and characterization.



Table 10. Filtered Phase Jitter Parameters – PCIe Common Clocked (CC) Architectures

 $T_{AMB}$  = over the specified operating range. Supply Voltages per normal operation conditions; see Test Loads for loading conditions.

| Parameter         | Symbol             | Conditions  | Minimum | Typical | Maximum | Industry Limits | Units    | Notes |
|-------------------|--------------------|---|---------|---------|---------|-----------------|----------|-------|
| PCIe Phase Jitter | $t_{jphPCIeG1-CC}$ | PCIe Gen1.  |         | 11      | 18      | 86              | ps (p-p) | 1,2,3 |
|                   | $t_{jphPCIeG2-CC}$ | PCIe Gen2 Low Band<br>10kHz < f < 1.5MHz<br>(PLL BW of 5–16MHz, 8–16MHz,<br>CDR = 5MHz).            |         | 0.1     | 0.14    | 3               | ps (rms) | 1,2   |
|                   |                    | PCIe Gen2 High Band<br>1.5MHz < f < Nyquist (50MHz)<br>(PLL BW of 5–16MHz, 8–16MHz,<br>CDR = 5MHz). |         | 1.1     | 1.6     | 3.1             | ps (rms) | 1,2   |
|                   | $t_{jphPCIeG3-CC}$ | PCIe Gen3<br>(PLL BW of 2–4MHz, 2–5MHz,<br>CDR = 10MHz).  |         | 0.3     | 0.39    | 1               | ps (rms) | 1,2   |
|                   | $t_{jphPCIeG4-CC}$ | PCIe Gen4<br>(PLL BW of 2–4MHz, 2–5MHz,<br>CDR = 10MHz).  |         | 0.3     | 0.39    | 0.5             | ps (rms) | 1,2   |

Table 11. Filtered Phase Jitter Parameters – PCIe Independent Reference (IR) Architectures

 $T_{AMB}$  = over the specified operating range. Supply Voltages per normal operation conditions; see Test Loads for loading conditions.

| Parameter         | Symbol               | Conditions                                    | Minimum | Typical | Maximum | Industry Limits | Units    | Notes |
|-------------------|----------------------|---|---------|---------|---------|-----------------|----------|-------|
| PCIe Phase Jitter | $t_{jphPCIeG2-SRIS}$ | PCIe Gen2<br>(PLL BW of 16MHz, CDR = 5MHz).   |         | 1.0     | 1.40    | 2               | ps (rms) | 1,4,5 |
|                   | $t_{jphPCIeG3-SRIS}$ | PCIe Gen3<br>(PLL BW of 2–4MHz, CDR = 10MHz). |         | 0.3     | 0.41    | 0.7             | ps (rms) | 1,4,5 |

 Notes for *Filtered Phase Jitter Parameters* tables:

- <sup>1</sup> Applies to all differential outputs at 100MHz, guaranteed by design and characterization.
- <sup>2</sup> Based on PCIe Base Specification Rev4.0 version 0.7draft. See <http://www.pcisig.com> for latest specifications.
- <sup>3</sup> Sample size of at least 100K cycles. This figure extrapolates to 108ps pk-pk at 1M cycles for a BER of  $1^{-12}$ .
- <sup>4</sup> IR is the new name for Separate Reference Independent Spread (SRIS) and Separate Reference no Spread (SRNS) PCIe clock architectures.
- <sup>5</sup> According to the PCIe Base Specification Rev4.0 version 0.7 draft, the jitter transfer functions and corresponding jitter limits are not defined for the IR clock architecture. Widely accepted industry limits using widely accepted industry filters are used to populate this table. There are no accepted filters or limits for IR clock architectures at PCIe Gen1 or Gen4 data rates.

Table 12. Current Consumption

 $V_{DD0} = 3.3V \pm 5\%$ ,  $2.5V \pm 5\%$ ,  $1.8V \pm 5\%$ ,  $T_A = -40^\circ C$  to  $+85^\circ C$  unless stated otherwise.

| Parameter                                   | Symbol       | Conditions   | Minimum | Typical | Maximum | Units | Notes |
|---|--------------|--|---------|---------|---------|-------|-------|
| $V_{DDREF}$ Supply Current                  | $I_{DDREF}$  | 50MHz REFCLK.  |         | 5       | 8       | mA    |       |
| Core Supply Current                         | $I_{DDCORE}$ | 2500MHz VCO, 50MHz REFCLK.                           |         | 24      | 31      | mA    | 3     |
| Output Buffer Supply Current ( $V_{DD01}$ ) | $I_{DDOX}$   | LVDS, 325MHz.  |         | 22      | 28      | mA    | 2     |
|   |              | LP-HCSL, 100MHz.                                     |         | 17      | 24      | mA    | 2     |
|   |              | LVC MOS, 50MHz.                                      |         | 15      | 20      | mA    | 1,2   |
|   |              | LVC MOS, 200MHz.                                     |         | 25      | 40      | mA    | 1,2   |
| Output Buffer Supply Current ( $V_{DD00}$ ) | $I_{DDOX}$   | LVDS, 325MHz.  |         | 8       | 12      | mA    | 2     |
|   |              | LP-HCSL.   |         | 6       | 10      | mA    | 2     |
|   |              | LVC MOS, 50MHz.                                      |         | 4       | 7       | mA    | 1,2   |
|   |              | LVC MOS, 200MHz.                                     |         | 13      | 26      | mA    | 1,2   |
| Total Power Down Current                    | $I_{DDPD}$   | Programmable outputs in HCSL mode, B37[6,0] = 0.     |         | 7       | 10      | mA    | 2     |
|   |              | Programmable outputs in LVDS mode, B37[6,0] = 0.     |         | 16      | 21      | mA    | 2     |
|   |              | Programmable outputs in LVC MOS1 mode, B37[6,0] = 0. |         | 5       | 7       | mA    | 2     |

<sup>1</sup> Single CMOS driver active for each output pair.

<sup>2</sup> See Test Loads for details.

<sup>3</sup>  $I_{DDCORE} = I_{DDA} + I_{DDD}$ .

## I<sup>2</sup>C Bus Characteristics

 Table 13. I<sup>2</sup>C Bus DC Characteristics

| Parameter             | Symbol    | Conditions            | Minimum               | Typical | Maximum              | Units   |
|-----------------------|-----------|-----------------------|-----------------------|---------|----------------------|---------|
| Input High Level      | $V_{IH}$  | —                     | $0.7 \times V_{DDD}$  |         |                      | V       |
| Input Low Level       | $V_{IL}$  | —                     |                       |         | $0.3 \times V_{DDD}$ | V       |
| Hysteresis of Inputs  | $V_{HYS}$ | —                     | $0.05 \times V_{DDD}$ |         |                      | V       |
| Input Leakage Current | $I_{IN}$  | —                     | -1                    |         | 30                   | $\mu$ A |
| Output Low Voltage    | $V_{OL}$  | $I_{OL} = 3\text{mA}$ |                       |         | 0.4                  | V       |

 Table 14. I<sup>2</sup>C Bus AC Characteristics

| Parameter                            | Symbol         | Conditions | Minimum               | Typical | Maximum | Units   |
|--------------------------------------|----------------|------------|-----------------------|---------|---------|---------|
| Serial Clock Frequency (SCL)         | $F_{SCLK}$     | —          | 10                    |         | 400     | kHz     |
| Bus free time between STOP and START | $t_{BUF}$      | —          | 1.3                   |         |         | $\mu$ s |
| Setup Time, START                    | $t_{SU:START}$ | —          | 0.6                   |         |         | $\mu$ s |
| Hold Time, START                     | $t_{HD:START}$ | —          | 0.6                   |         |         | $\mu$ s |
| Setup Time, Data Input (SDA)         | $t_{SU:DATA}$  | —          | 0.1                   |         |         | $\mu$ s |
| Hold Time, Data Input (SDA) 1        | $t_{HD:DATA}$  | —          | 0                     |         |         | $\mu$ s |
| Output Data Valid from Clock         | $t_{OVD}$      | —          |                       |         | 0.9     | $\mu$ s |
| Capacitive Load for Each Bus Line    | $C_B$          | —          |                       |         | 400     | pF      |
| Rise Time, Data and Clock (SDA, SCL) | $t_R$          | —          | $20 + 0.1 \times C_B$ |         | 300     | ns      |
| Fall Time, Data and Clock (SDA, SCL) | $t_F$          | —          | $20 + 0.1 \times C_B$ |         | 300     | ns      |
| High Time, Clock (SCL)               | $t_{HIGH}$     | —          | 0.6                   |         |         | $\mu$ s |
| Low Time, Clock (SCL)                | $t_{LOW}$      | —          | 1.3                   |         |         | $\mu$ s |
| Setup Time, STOP                     | $t_{SU:STOP}$  | —          | 0.6                   |         |         | $\mu$ s |

Note: A device must internally provide a hold time of at least 300ns for the SDA signal (referred to the  $V_{IH(MIN)}$  of the SCL signal) to bridge the undefined region of the falling edge of SCL.

## Crystal Characteristics

Table 15. Recommended Crystal Characteristics

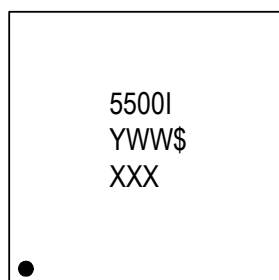
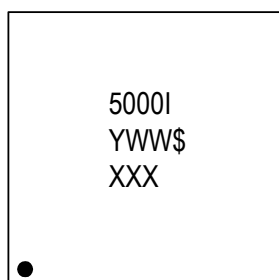
| Parameter   | Value       | Units       |
|---|-------------|-------------|
| Frequency   | 8–50        | MHz         |
| Resonance Mode  | Fundamental | -           |
| Frequency Tolerance at 25°C                                       | ±20         | ppm maximum |
| Frequency Stability, REF at 25°C Over Operating Temperature Range | ±20         | ppm maximum |
| Temperature Range (commercial)                                    | 0–70        | °C          |
| Temperature Range (industrial)                                    | -40–85      | °C          |
| Equivalent Series Resistance (ESR)                                | 50          | Ω maximum   |
| Shunt Capacitance ( $C_0$ )                                       | 7           | pF maximum  |
| Load Capacitance ( $C_L$ )  | 8           | pF maximum  |
| Drive Level   | 0.1         | mW maximum  |
| Aging per year  | ±5          | ppm maximum |

## Package Outline Drawings

The package outline drawings are appended at the end of this document and are also accessible from the link below. The package information is the most current data available and is subject to change without notice or revision of this document.

[www.idt.com/document/psc/16-lga-package-outline-drawing-30-x-30-x-110-mm-body-05mm-pitch-ltg16p1](http://www.idt.com/document/psc/16-lga-package-outline-drawing-30-x-30-x-110-mm-body-05mm-pitch-ltg16p1)

## Marking Diagrams



1. Line 1: truncated part number
2. "YWW" denotes the last digits of the year and week the part was assembled.
3. "\$" denotes mark code.
4. "XXX" denotes lot number.

## Ordering Information

| Orderable Part Number | Package                      | Carrier Type | Temperature  |
|-----------------------|------------------------------|--------------|--------------|
| 9FGV1005AnnnLTGI      | 3 × 3 mm, 0.5mm pitch 16-LGA | Tray         | -40 to +85°C |
| 9FGV1005AnnnLTGI8     | 3 × 3 mm, 0.5mm pitch 16-LGA | Reel         | -40 to +85°C |
| 9FGV1005Q5hhLTGI      | 3 × 3 mm, 0.5mm pitch 16-LGA | Tray         | -40 to +85°C |
| 9FGV1005Q5hhLTGI8     | 3 × 3 mm, 0.5mm pitch 16-LGA | Reel         | -40 to +85°C |

“G” indicates RoHS 6.6 compliance.

“nnn” are decimal digits indicating a specific configuration.

“hh” are hexadecimal digits indicating a specific configuration.

“Q5” indicates 50MHz internal crystal.

## Revision History

| Revision Date    | Description of Change  |
|------------------|--|
| May 30, 2018     | Removed “Programmable output amplitude...” bullet.   |
| February 6, 2018 | Updated pin 15 description.  |
| January 31, 2018 | Updated drive level parameter in <i>Crystal Characteristics</i> table.   |
| January 25, 2018 | <ul style="list-style-type: none"> <li>▪ Updated pinout diagram to show pin 10 as NC on the “Q” version.</li> <li>▪ Updated package outline drawings and reference text.</li> </ul>  |
| October 5, 2017  | <ul style="list-style-type: none"> <li>▪ Updated Key Specifications.</li> <li>▪ Updated Common Electrical Characteristics table.</li> <li>▪ Updated PCIe Phase Jitter specs.</li> </ul>  |
| August 29, 2017  | <ul style="list-style-type: none"> <li>▪ Updated thermal values.</li> <li>▪ Updated typical phase jitter values.</li> <li>▪ Updated values in table 10 and 11.</li> <li>▪ Updated the “Total Power Down Current Conditions” section.</li> <li>▪ Removed footnotes from table 12.</li> <li>▪ Added mark spec for the Q5 version.</li> </ul> |
| July 24, 2017    | Initial release.   |



Corporate Headquarters  
6024 Silver Creek Valley Road  
San Jose, CA 95138 USA  
[www.IDT.com](http://www.IDT.com)

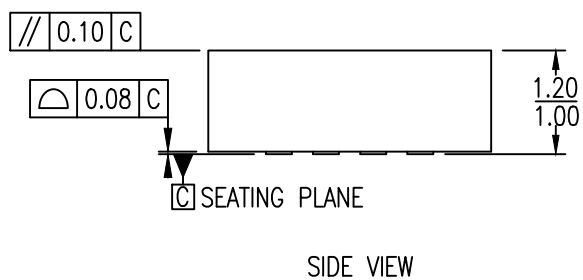
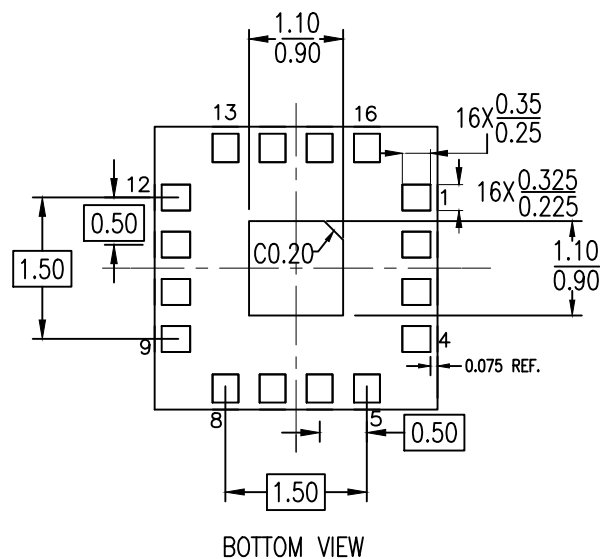
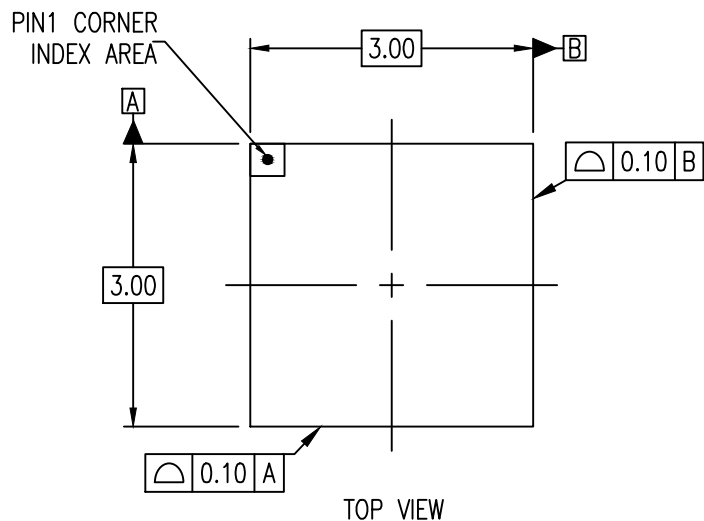
Sales  
1-800-345-7015 or 408-284-8200  
Fax: 408-284-2775  
[www.IDT.com/go/sales](http://www.IDT.com/go/sales)

Tech Support  
[www.IDT.com/go/support](http://www.IDT.com/go/support)

DISCLAIMER Integrated Device Technology, Inc. (IDT) and its affiliated companies (herein referred to as “IDT”) reserve the right to modify the products and/or specifications described herein at any time, without notice, at IDT’s sole discretion. Performance specifications and operating parameters of the described products are determined in an independent state and are not guaranteed to perform the same way when installed in customer products. The information contained herein is provided without representation or warranty of any kind, whether express or implied, including, but not limited to, the suitability of IDT’s products for any particular purpose, an implied warranty of merchantability, or non-infringement of the intellectual property rights of others. This document is presented only as a guide and does not convey any license under intellectual property rights of IDT or any third parties.

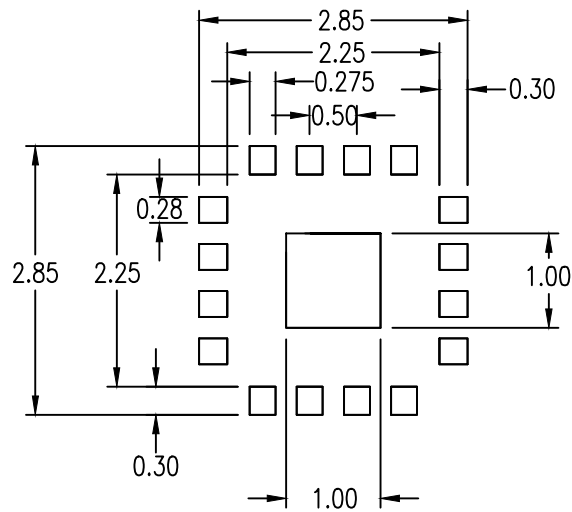
IDT’s products are not intended for use in applications involving extreme environmental conditions or in life support systems or similar devices where the failure or malfunction of an IDT product can be reasonably expected to significantly affect the health or safety of users. Anyone using an IDT product in such a manner does so at their own risk, absent an express, written agreement by IDT.

Integrated Device Technology, IDT and the IDT logo are trademarks or registered trademarks of IDT and its subsidiaries in the United States and other countries. Other trademarks used herein are the property of IDT or their respective third party owners. For datasheet type definitions and a glossary of common terms, visit [www.idt.com/go/glossary](http://www.idt.com/go/glossary). Integrated Device Technology, Inc. All rights reserved.



NOTES:

1. ALL DIMENSIONING AND TOLERANCING CONFORM TO ANSI Y14.5M-1982.
2. ALL DIMENSIONS ARE IN MILLIMETERS.



## RECOMMENDED LAND PATTERN DIMENSION

### NOTES:

1. ALL DIMENSION ARE IN mm. ANGLES IN DEGREES.
2. TOP DOWN VIEW. AS VIEWED ON PCB.
3. LAND PATTERN RECOMMENDATION PER IPC-7351B GENERIC REQUIREMENT FOR SURFACE MOUNT DESIGN AND LAND PATTERN.

| Package Revision History |         |                                   |
|--------------------------|---------|-----------------------------------|
| Date Created             | Rev No. | Description                       |
| Nov 6, 2017              | Rev 02  | Modify Solder Mask & Epad Chamfer |
| Sept 29, 2017            | Rev 01  | Modify Land Pattern               |

Компания «Океан Электроники» предлагает заключение долгосрочных отношений при поставках импортных электронных компонентов на взаимовыгодных условиях!

Наши преимущества:

- Поставка оригинальных импортных электронных компонентов напрямую с производств Америки, Европы и Азии, а так же с крупнейших складов мира;
- Широкая линейка поставок активных и пассивных импортных электронных компонентов (более 30 млн. наименований);
- Поставка сложных, дефицитных, либо снятых с производства позиций;
- Оперативные сроки поставки под заказ (от 5 рабочих дней);
- Экспресс доставка в любую точку России;
- Помощь Конструкторского Отдела и консультации квалифицированных инженеров;
- Техническая поддержка проекта, помощь в подборе аналогов, поставка прототипов;
- Поставка электронных компонентов под контролем ВП;
- Система менеджмента качества сертифицирована по Международному стандарту ISO 9001;
- При необходимости вся продукция военного и аэрокосмического назначения проходит испытания и сертификацию в лаборатории (по согласованию с заказчиком);
- Поставка специализированных компонентов военного и аэрокосмического уровня качества (Xilinx, Altera, Analog Devices, Intersil, Interpoint, Microsemi, Actel, Aeroflex, Peregrine, VPT, Syfer, Eurofarad, Texas Instruments, MS Kennedy, Miteq, Cobham, E2V, MA-COM, Hittite, Mini-Circuits, General Dynamics и др.);

Компания «Океан Электроники» является официальным дистрибьютором и эксклюзивным представителем в России одного из крупнейших производителей разъемов военного и аэрокосмического назначения «JONHON», а так же официальным дистрибьютором и эксклюзивным представителем в России производителя высокотехнологичных и надежных решений для передачи СВЧ сигналов «FORSTAR».



## JONHON

«JONHON» (основан в 1970 г.)

Разъемы специального, военного и аэрокосмического назначения:

(Применяются в военной, авиационной, аэрокосмической, морской, железнодорожной, горно- и нефтедобывающей отраслях промышленности)

«FORSTAR» (основан в 1998 г.)

ВЧ соединители, коаксиальные кабели,  
кабельные сборки и микроволновые компоненты:

(Применяются в телекоммуникациях гражданского и специального назначения, в средствах связи, РЛС, а так же военной, авиационной и аэрокосмической отраслях промышленности).



Телефон: 8 (812) 309-75-97 (многоканальный)

Факс: 8 (812) 320-03-32

Электронная почта: [ocean@oceanchips.ru](mailto:ocean@oceanchips.ru)

Web: <http://oceanchips.ru/>

Адрес: 198099, г. Санкт-Петербург, ул. Калинина, д. 2, корп. 4, лит. А