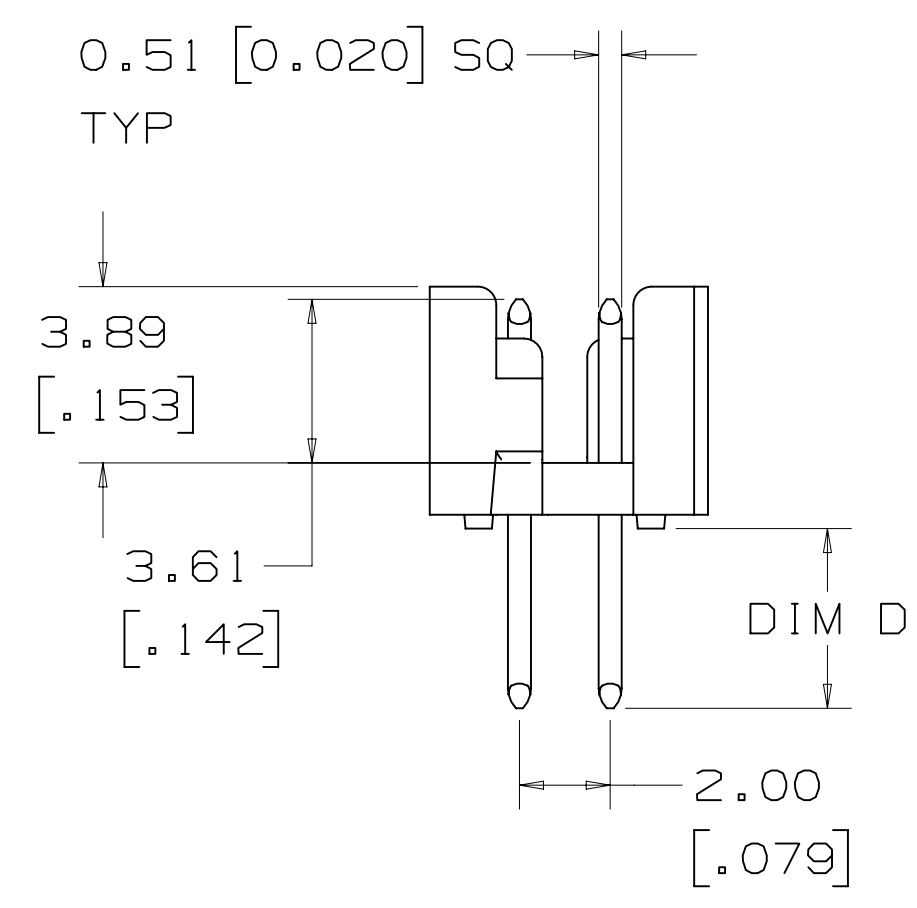
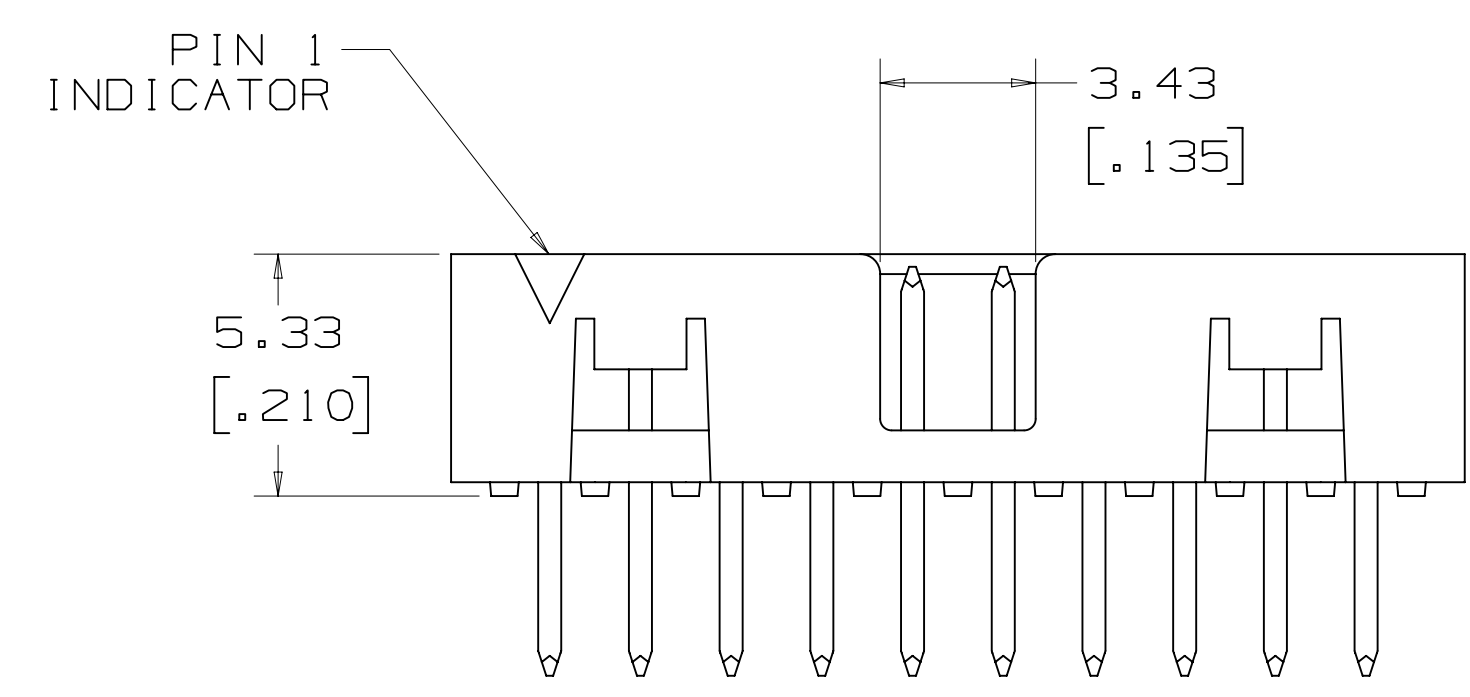
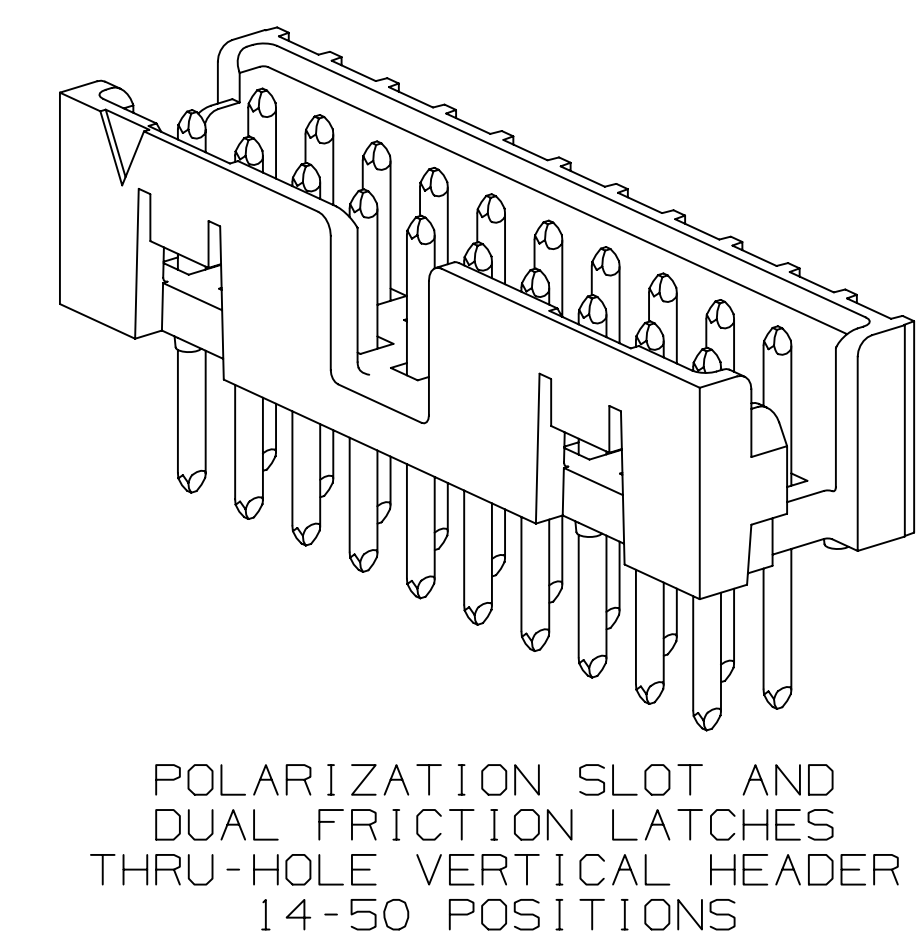
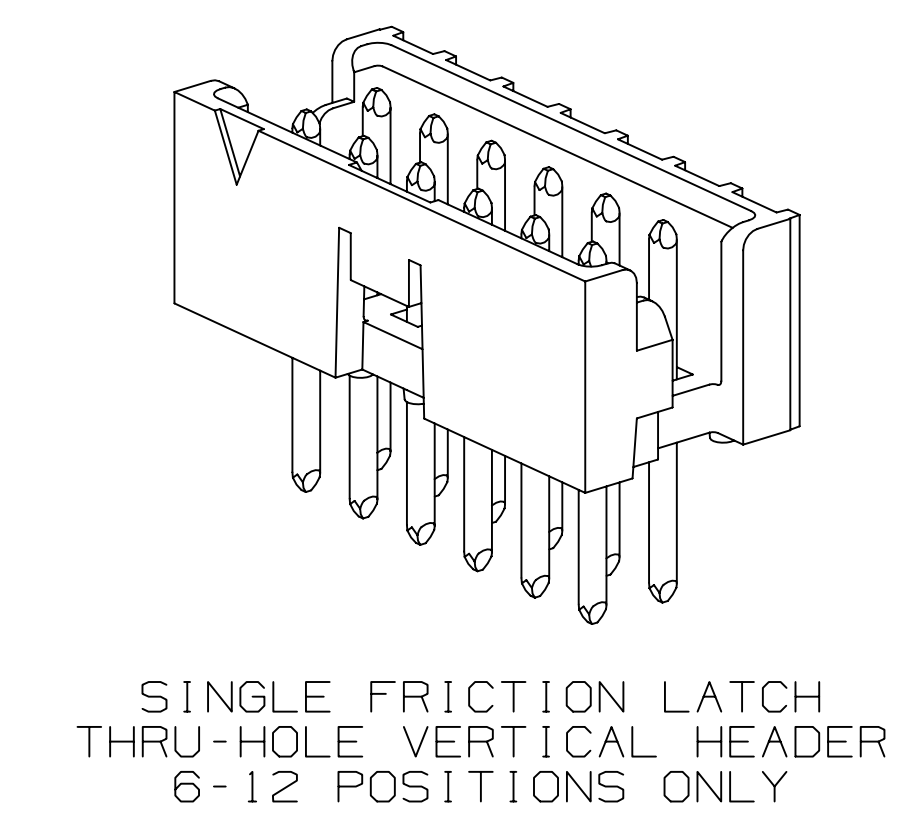
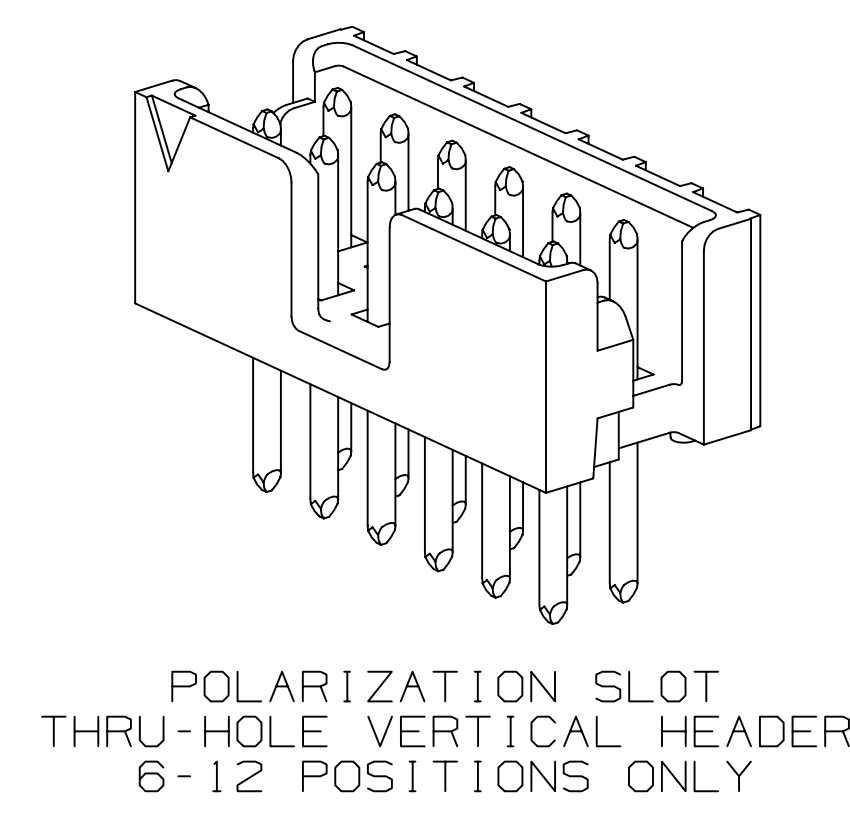
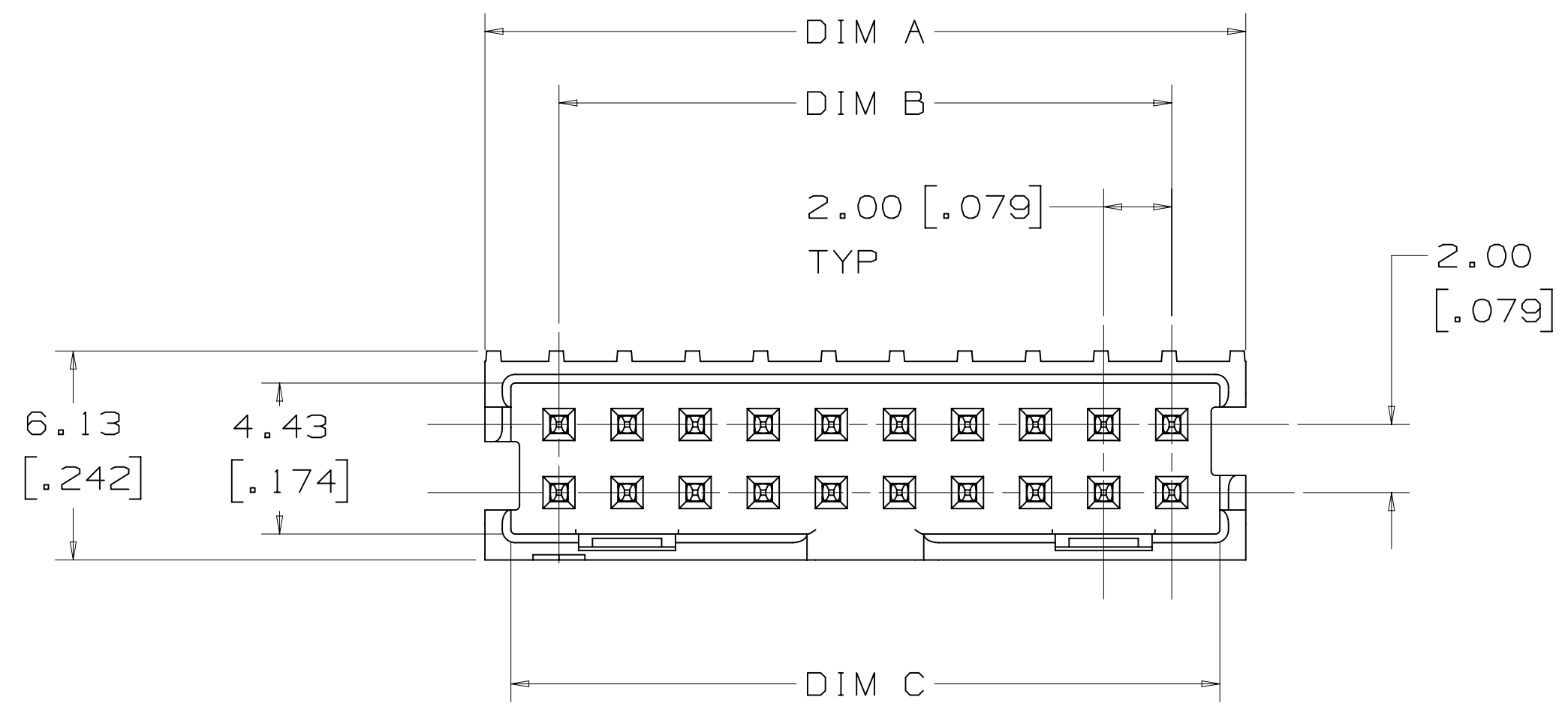
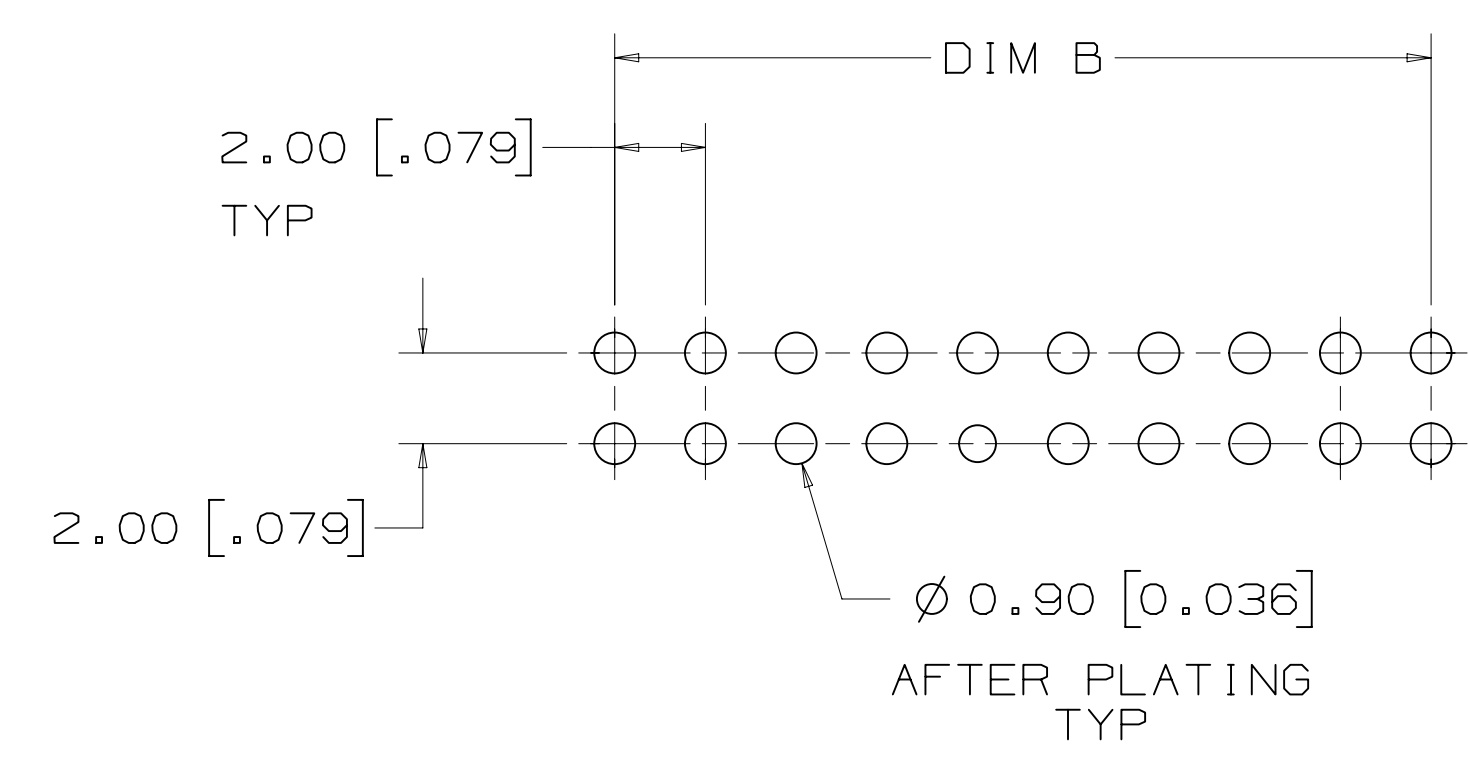


3M™ Shrouded Board Mount Header 2 mm X 2 mm Pitch 159 Series, Standard Length [3] and Extended Length [4]

- NOTES**
- MATERIAL:**  
 BODY: HIGH TEMPERATURE GLASS FILLED LCP, BLACK UL94V-0  
 CONTACTS: COPPER ALLOY
  - PLATING:**  
 2.03-3.81 μm [80-150 μin] NICKEL UNDERPLATE.  
 0.38 μm [15 μin] OR 0.76 μm [30 μin] AVG GOLD ON WIPING AREA.  
 5.08 μm [200 μin] MIN MATTE TIN ON SOLDER TAILS.
  - STANDARD LENGTH HEADERS MATE WITH 3M™ SOCKETS, 158 SERIES (REFERENCE 3M DRAWING 78-5100-2358-9).**
  - EXTENDED LENGTH HEADERS MATE WITH 3M™ SOCKETS, 870 SERIES.**
  - FOR PRODUCT SPECIFICATIONS AND WARRANTY INFORMATION SEE 3M 78-5102-0078-1.**
  - SEE THE REGULATORY INFORMATION APPENDIX (RIA) IN THE "ROHS COMPLIANCE" SECTION OF WWW.3MCONNECTOR.COM FOR COMPLIANCE INFORMATION (RIA E1 & C1 APPLY).**
  - IN THE EVENT OF CONFLICT BETWEEN THIS DATA AND THAT CONTAINED IN THE PRODUCT SPECIFICATION, THE PRODUCT SPECIFICATION TAKES PRECEDENT.**



PERFORMANCE [5] [7]	
CURRENT:	1.25 A, ALL LINES ENERGIZED 2.75 A, 6 LINES ENERGIZED 4.75 A, 1 LINE ENERGIZED
INSULATION RESISTANCE:	>1 X 10 <sup>9</sup> OHMS AT 500 VDC
WITHSTANDING VOLTAGE:	500 VACrms AT SEA LEVEL
TEMPERATURE RATING:	-55° C TO +105° C
SOLDER PROCESS TEMPERATURE:	260° C MAX PER IPC/JEDEC J-STD-020D



RECOMMENDED PCB HOLE PATTERN  
TOLERANCE = 0.05 [ .002 ]

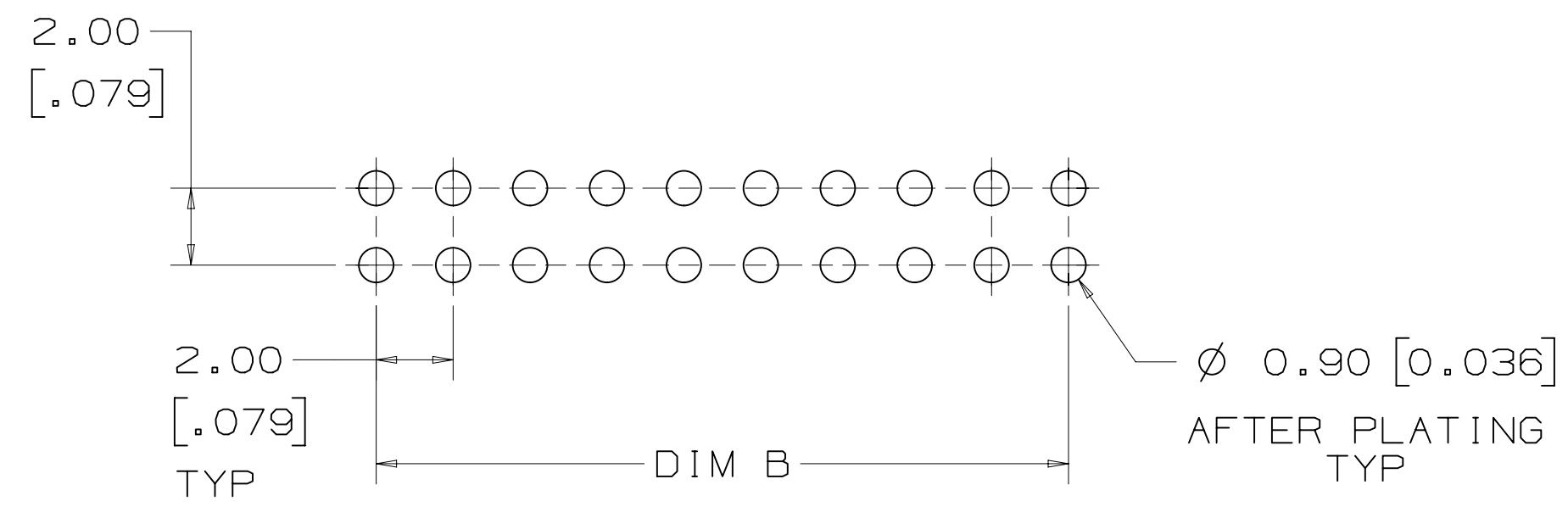
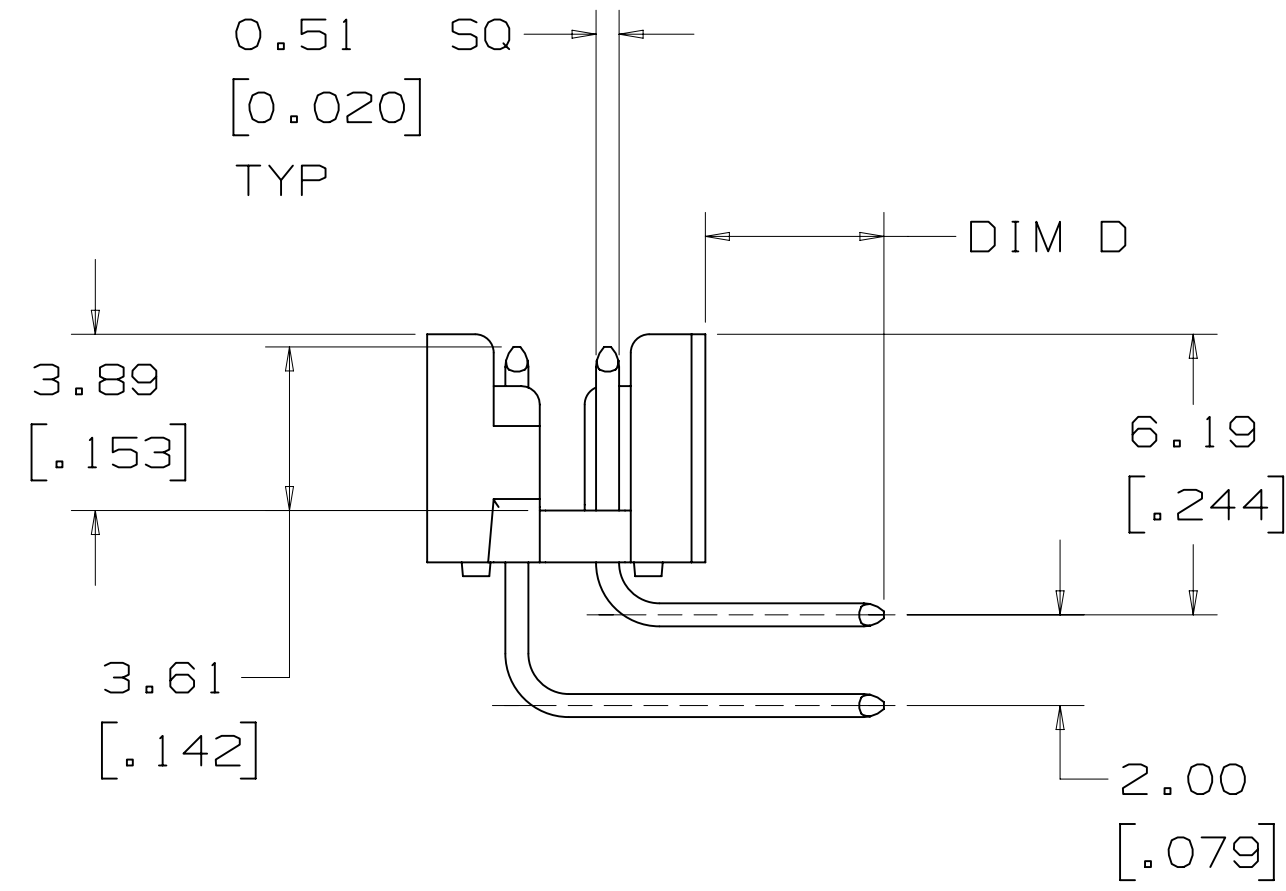
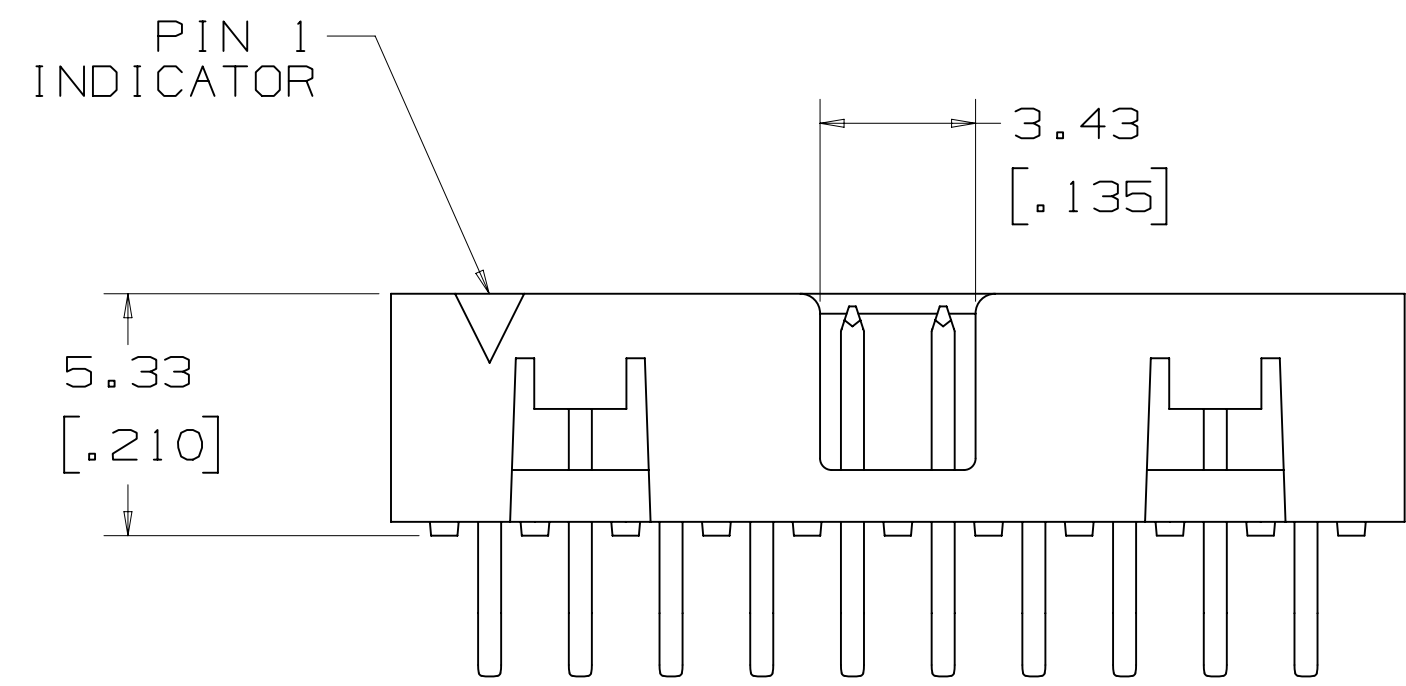
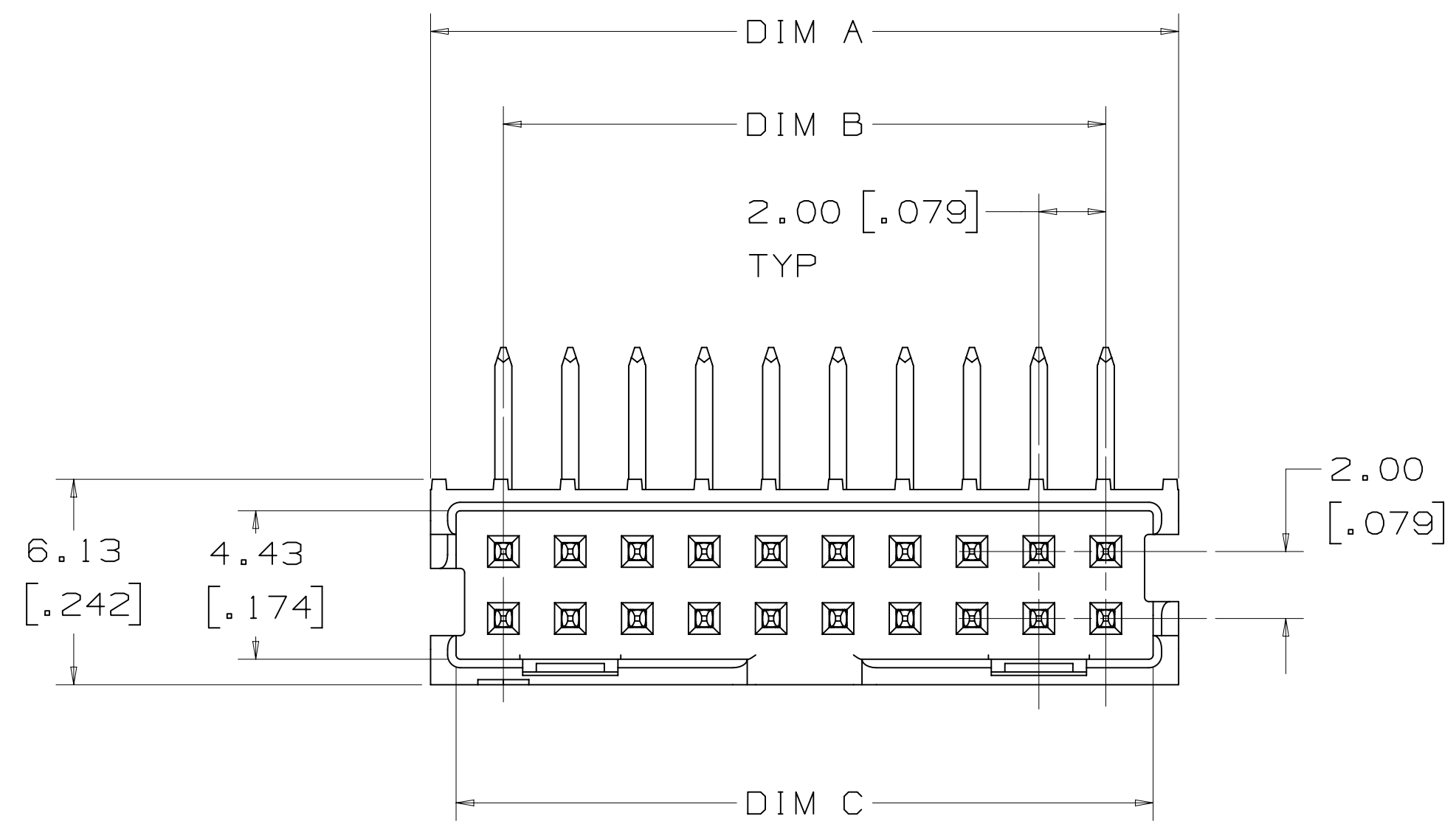
REFERENCE TABLE ON SHEET 5 FOR AVAILABLE TAIL POSITIONS AND SOLDER TAIL LENGTHS

METRIC [ ENGLISH ]

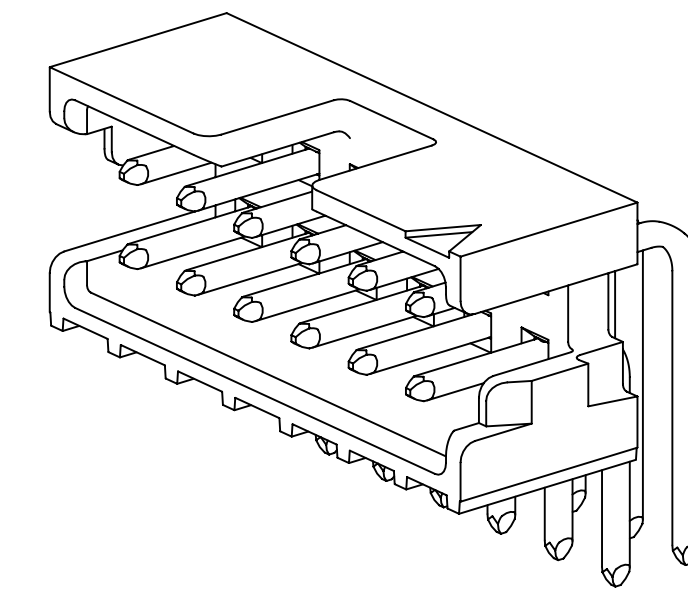
D	41488	JUN 20, 2012	LDS	SAN
		REVISED CURRENT RATING IN PERFORMANCE TABLE		
C	39876	APR 18, 2012	LDS	SAN
		REMOVED 32 POS FROM TABLE ON SHT 5		
B	34080	MAY 18, 2011	LDS	SF
		ADDED 6.19 DIM ON SHT 2; REVISED & MOVED TABLE TO SHT 5		
A	30741	OCT 28, 2010	LDS	SF
		INITIAL RELEASE		

DESIGN REFERENCE	NEXT ASSEMBLY	REV	ECO	ISSUE DATE AND DESCRIPTION	DRFT	CHKD
78-5100-2359-7		L. SCHMIDT		JUL 29, 2010 MFG		
				AUG 09, 2010		
DIVISION	DIVISION CODE	DATE	DATE	DATE	DATE	DATE
DO NOT SCALE DRAWING	SCALE 6/1	TOLERANCES EXCEPT AS NOTED		INCHES .00 ± .000 ± .0000 ±		
THIRD ANGLE PROJECTION	INTERPRET PER ASME Y14.5 - 1994	MILLIMETERS		.0 ± .00 ± 0.13 .000 ±		
MAX SURFACE ROUGHNESS	125	ALL SURFACES		ANGLS ±1°		
	MARKED ONLY			© 3M COPYR [SHT] 2010 3M Center St. Paul, MN 55144 This document and the information it contains are 3M property and may not be reproduced or further distributed without 3M permission, or used or disclosed other than for 3M authorized purposes. All rights reserved.		
		TITLE		3M SHROUDED BOARD MOUNT HEADER 2 MM X 2 MM PITCH 159 SERIES		
		CAGE NUMBER	SIZE	DRAWING NO.	REV.	
		D		78-5100-2359-7	D	
		MODEL		SHT 1 OF 5		

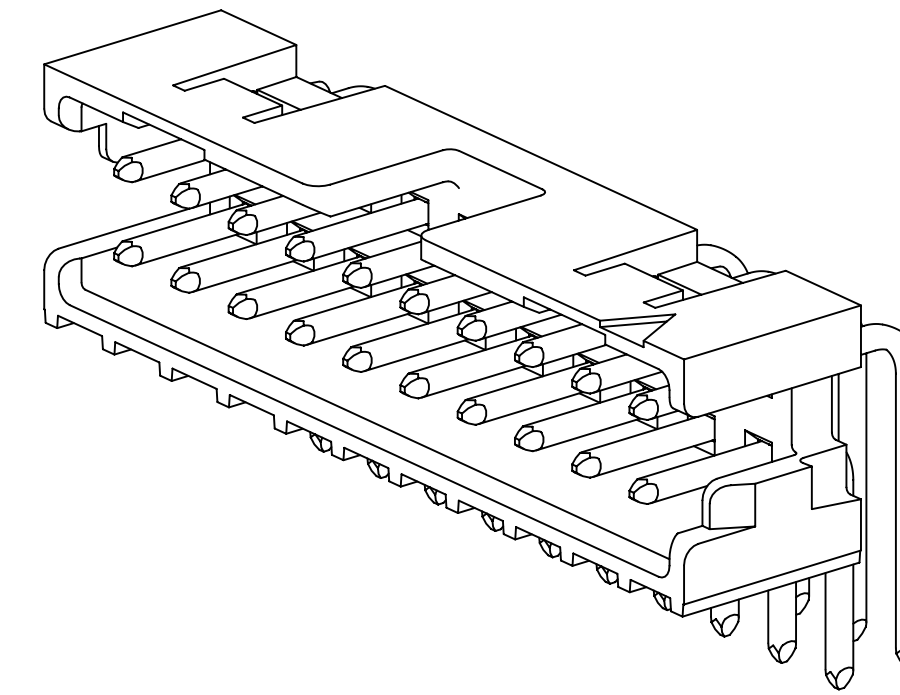
3M™ Shrouded Board Mount Header 2 mm X 2 mm Pitch 159 Series, Standard Length 3 and Extended Length 4



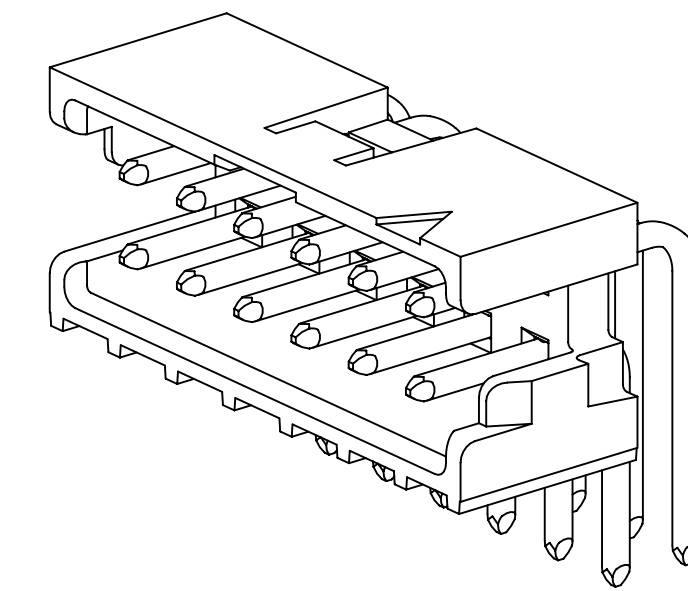
RECOMMENDED PCB HOLE PATTERN  
TOLERANCE = ±0.05 [.002]



POLARIZATION SLOT  
RIGHT ANGLE HEADER  
6-12 POSITIONS ONLY



POLARIZATION SLOT AND  
DUAL FRICTION LATCHES  
RIGHT ANGLE HEADER  
14-50 POSITIONS



SINGLE FRICTION LATCH  
RIGHT ANGLE HEADER  
6-12 POSITIONS ONLY

REFERENCE TABLE ON SHEET 5  
FOR AVAILABLE POSITIONS AND  
SOLDER TAIL LENGTHS

METRIC [ ENGLISH ]

REV	ECO	ISSUE DATE AND DESCRIPTION	DRFT	CHKD
D	41488	JUN 20, 2012 REVISED CURRENT RATING IN PERFORMANCE TABLE	LDS	SAN
C	39876	APR 18, 2012 REMOVED 32 POS FROM TABLE ON SHT 5	LDS	SAN
B	34080	MAY 18, 2011 ADDED 6.19 DIM ON SHT 2; REVISED & MOVED TABLE TO SHT 5	LDS	SF
A	30741	OCT 28, 2010 INITIAL RELEASE	LDS	SF

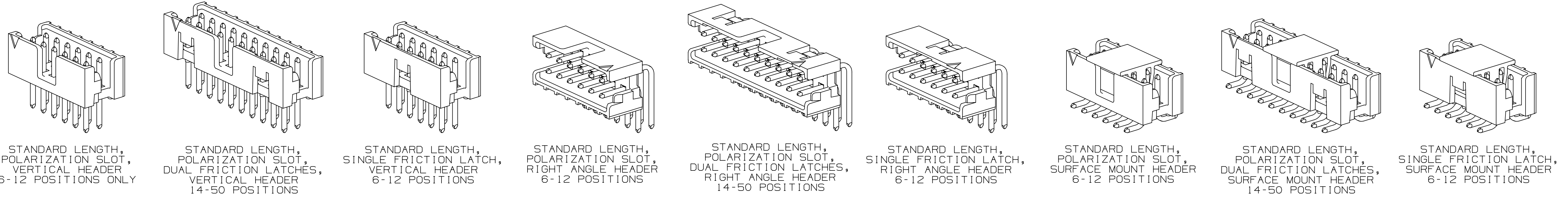
DESIGN REFERENCE	NEXT ASSEMBLY	REV	ECO	ISSUE DATE AND DESCRIPTION	DRFT	CHKD
<small>DO NOT SCALE DRAWING</small> <small>THIRD ANGLE PROJECTION</small> <small>INTERPRET PER ASME Y14.5 - 1994</small> <small>MAX SURFACE ROUGHNESS 125</small>		<small>SCALE 4/1</small> <small>TOLERANCES EXCEPT AS NOTED</small> <small>INCHES .00 .00 ± .000 ± .000 ±</small> <small>MILLIMETERS 0 ± .00 ± .00 ± .000 ±</small> <small>ANGLES ±1°</small>				
<small>THIS DOCUMENT IS THE PROPERTY OF 3M. IT IS LOANED TO YOUR COMPANY AND IS NOT TO BE REPRODUCED OR TRANSMITTED IN ANY FORM OR BY ANY MEANS, ELECTRONIC OR MECHANICAL, INCLUDING PHOTOCOPYING, RECORDING, OR BY ANY INFORMATION STORAGE AND RETRIEVAL SYSTEM, WITHOUT THE WRITTEN PERMISSION OF 3M.</small>		<small>© 3M COPYRIGHT 2010</small> <small>3M Center St. Paul, MN 55144</small>		<small>TITLE</small> <b>3M SHROUDED BOARD MOUNT HEADER 2 MM X 2 MM PITCH 159 SERIES</b>		
<small>CAGE NUMBER</small> <b>D78-5100-2359-7</b>		<small>DRAWING NO.</small> <b>D78-5100-2359-7</b>		<small>REV.</small> <b>D</b>		

78-5100-2359-7



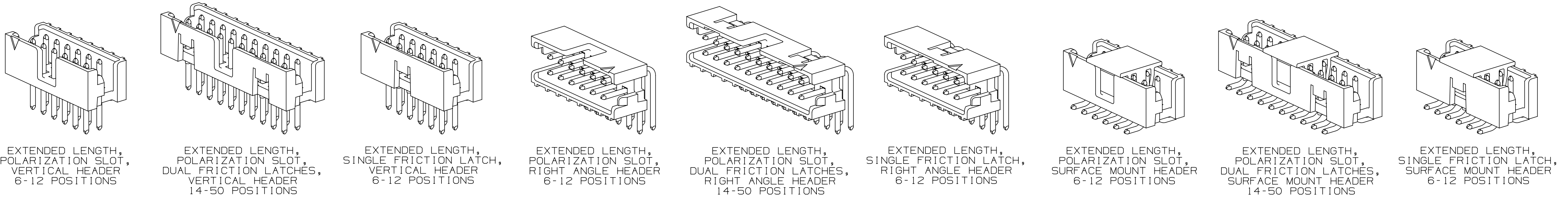
3M™ Shrouded Board Mount Header 2 mm X 2 mm Pitch 159 Series, Standard Length 3

STANDARD LENGTH HEADERS ARE AVAILABLE



3M™ Shrouded Board Mount Header 2 mm X 2 mm Pitch 159 Series, Extended Length 4

CALL 3M INTERCONNECT SOLUTIONS AT 800-225-5373 FOR AVAILABILITY OF EXTENDED LENGTH HEADERS



ORDERING INFORMATION

**TIER 1 - BEST**  
 1591XX-XXXX

TIER 1 = BEST 0.76  $\mu\text{m}$  [30  $\mu\text{in}$ ] GOLD

CONTACT TAIL LENGTH  
 2 = 2.84 mm [.112]  
 3 = 3.94 mm [.155]

POLARIZATION/LATCHING  
 0 = POLARIZATION SLOT AND DUAL FRICTION LATCHES (14-50 POSITIONS ONLY)  
 1 = POLARIZATION SLOT (6-12 POSITIONS ONLY)  
 2 = SINGLE FRICTION LATCH (6-12 POSITIONS ONLY)

PART CONFIGURATION  
 2 = VERTICAL SMT  
 5 = RIGHT ANGLE THRU HOLE  
 6 = VERTICAL THRU HOLE

BODY LENGTH  
 0 = STANDARD LENGTH (MATES TO 158 SERIES)  
 1 = EXTENDED LENGTH (MATES TO 870 SERIES)

POSITION COUNT (SEE TABLE)

**TIER 2 - BETTER**  
 1592XX-XXXX

TIER 2 = BETTER 0.38  $\mu\text{m}$  [15  $\mu\text{in}$ ] GOLD

CONTACT TAIL LENGTH  
 2 = 2.84 mm [.112]  
 3 = 3.94 mm [.155]

POLARIZATION/LATCHING  
 0 = POLARIZATION SLOT AND DUAL FRICTION LATCHES (14-50 POSITIONS ONLY)  
 1 = POLARIZATION SLOT (6-12 POSITIONS ONLY)  
 2 = SINGLE FRICTION LATCH (6-12 POSITIONS ONLY)

PART CONFIGURATION  
 2 = VERTICAL SMT  
 5 = RIGHT ANGLE THRU HOLE  
 6 = VERTICAL THRU HOLE

BODY LENGTH  
 0 = STANDARD LENGTH (MATES TO 158 SERIES)  
 1 = EXTENDED LENGTH (MATES TO 870 SERIES)

POSITION COUNT (SEE TABLE)

METRIC (ENGLISH)

DESIGN REFERENCE	NEXT ASSEMBLY	REV	ECO	ISSUE DATE AND DESCRIPTION	DRFT	CHKD
1591XX-XXXX		L. SCHMIDT		JUL 29, 2010		
DIVISION	DIVISION CODE	APPR	DATE	MFG	DATE	
		S FELDMAN			AUG 09, 2010	
DO NOT SCALE DRAWING	SCALE 4/1	TOLERANCES EXCEPT AS NOTED				
THIRD ANGLE PROJECTION		INCHES .00 ± .000 ± .0000 ±		MILLIMETERS 0 ± .00 ± .00 ± 0.13 .000 ±		
INTERPRET PER ASME Y14.5 - 1994		MAX SURFACE ROUGHNESS		CAGE NUMBER <b>D</b> 78-5100-2359-7 MODEL		
125 <input type="checkbox"/> ALL SURFACES <input checked="" type="checkbox"/> MARKED ONLY		ANGLES ±1°		REV. <b>D</b> SHT 4 OF 5		

D	41488	JUN 20, 2012	LDS	SAN
REVISED CURRENT RATING IN PERFORMANCE TABLE				
C	39876	APR 18, 2012	LDS	SAN
REMOVED 32 POS FROM TABLE ON SHT 5				
B	34080	MAY 18, 2011	LDS	SF
ADDED 6.19 DIM ON SHT 2; REVISED & MOVED TABLE TO SHT 5				
A	30741	OCT 28, 2010	LDS	SF
INITIAL RELEASE				

**3M** Center St. Paul, MN 55144  
 © 3M COPYRIGHT 2010  
 This document and the information it contains are 3M property and may not be reproduced or further distributed without 3M permission, or used or disclosed other than for 3M authorized purposes. All rights reserved.

**3M SHROUDED BOARD MOUNT HEADER 2 MM X 2 MM PITCH 159 SERIES**

78-5100-2359-7

3M™ Shrouded Board Mount Header 2 mm X 2 mm Pitch 159 Series, Standard Length 3 and Extended Length 4

SHROUDED BOX HEADER							
NUMBER OF POSITIONS	DIM A		DIM B	DIM C		DIM D	
	STANDARD	EXTENDED		STANDARD	EXTENDED		
6	8.35 [ .329 ]	9.52 [ .375 ]	4.00 [ .157 ]	6.83 [ .269 ]	7.99 [ .315 ]	2.84 [ .112 ]	3.94 [ .155 ]
8	10.35 [ .407 ]	11.52 [ .453 ]	6.00 [ .236 ]	8.83 [ .347 ]	9.99 [ .393 ]	2.84 [ .112 ]	3.94 [ .155 ]
10	12.35 [ .486 ]	13.52 [ .532 ]	8.00 [ .315 ]	10.83 [ .426 ]	11.99 [ .472 ]	2.84 [ .112 ]	3.94 [ .155 ]
12	14.35 [ .565 ]	15.52 [ .611 ]	10.00 [ .394 ]	12.83 [ .505 ]	13.99 [ .551 ]	2.84 [ .112 ]	3.94 [ .155 ]
14	16.35 [ .644 ]	17.52 [ .690 ]	12.00 [ .472 ]	14.83 [ .584 ]	15.99 [ .630 ]	2.84 [ .112 ]	3.94 [ .155 ]
16	18.35 [ .722 ]	19.52 [ .768 ]	14.00 [ .551 ]	16.83 [ .662 ]	17.99 [ .708 ]	2.84 [ .112 ]	3.94 [ .155 ]
20	22.35 [ .880 ]	23.52 [ .926 ]	18.00 [ .709 ]	20.83 [ .820 ]	21.99 [ .866 ]	2.84 [ .112 ]	3.94 [ .155 ]
22	24.35 [ .959 ]	25.52 [ 1.005 ]	20.00 [ .787 ]	22.83 [ .899 ]	23.99 [ .945 ]	2.84 [ .112 ]	3.94 [ .155 ]
24	26.35 [ 1.037 ]	27.52 [ 1.083 ]	22.00 [ .866 ]	24.83 [ .977 ]	25.99 [ 1.023 ]	2.84 [ .112 ]	3.94 [ .155 ]
26	28.35 [ 1.116 ]	29.52 [ 1.162 ]	24.00 [ .945 ]	26.83 [ 1.056 ]	27.99 [ 1.102 ]	2.84 [ .112 ]	3.94 [ .155 ]
30	32.35 [ 1.274 ]	33.52 [ 1.320 ]	28.00 [ 1.102 ]	30.83 [ 1.214 ]	31.99 [ 1.260 ]	2.84 [ .112 ]	3.94 [ .155 ]
34	36.35 [ 1.431 ]	37.52 [ 1.477 ]	32.00 [ 1.260 ]	34.83 [ 1.371 ]	35.99 [ 1.417 ]	2.84 [ .112 ]	3.94 [ .155 ]
40	42.35 [ 1.667 ]	43.52 [ 1.713 ]	38.00 [ 1.496 ]	40.83 [ 1.607 ]	41.99 [ 1.653 ]	2.84 [ .112 ]	3.94 [ .155 ]
44	46.35 [ 1.825 ]	47.52 [ 1.871 ]	42.00 [ 1.654 ]	44.83 [ 1.765 ]	45.99 [ 1.811 ]	2.84 [ .112 ]	3.94 [ .155 ]
50	52.35 [ 2.061 ]	53.52 [ 2.107 ]	48.00 [ 1.890 ]	50.83 [ 2.001 ]	51.99 [ 2.047 ]	2.84 [ .112 ]	3.94 [ .155 ]

DESIGN REFERENCE	NEXT ASSEMBLY	REV	ECO	ISSUE DATE AND DESCRIPTION	DRFT	CHKD
DRY CODES		DRY		DATE	MFG	DATE
		L. SCHMIDT		JUL 29, 2010		
DIVISION	DIVISION CODE	CHKD		DATE	APPR	DATE
		S FELDMAN		AUG 09, 2010		
DO NOT SCALE DRAWING	SCALE 1/1	TOLERANCES EXCEPT AS NOTED				
		INCHES				
		.00 ±				
		.000 ±				
		.0000 ±				
THIRD ANGLE PROJECTION		MILLIMETERS				
		0 ±				
		.00 ±				
		.00 ± 0.13				
MAX SURFACE ROUGHNESS		.000 ±				
125	<input type="checkbox"/> ALL SURFACES	ANGLES ±1°				
	<input checked="" type="checkbox"/> MARKED ONLY					

REV	ECO	ISSUE DATE AND DESCRIPTION	DRFT	CHKD
D	41488	JUN 20, 2012 REVISED CURRENT RATING IN PERFORMANCE TABLE	LDS	SAN
C	39876	APR 18, 2012 REMOVED 32 POS FROM TABLE ON SHT 5	LDS	SAN
B	34080	MAY 18, 2011 ADDED 6.19 DIM ON SHT 2; REVISED & MOVED TABLE TO SHT 5	LDS	SF
A	30741	OCT 28, 2010 INITIAL RELEASE	LDS	SF

TITLE	3M SHROUDED BOARD MOUNT HEADER 2 MM X 2 MM PITCH 159 SERIES		
CAGE NUMBER	SIZE	DRAWING NO.	REV.
D		78-5100-2359-7	D
MODEL	DET	YES	NO
		<input type="checkbox"/>	<input checked="" type="checkbox"/>
	SHT	5	OF 5

METRIC [ ENGLISH ]

78-5100-2359-7  
DRAWING NUMBER

Компания «Океан Электроники» предлагает заключение долгосрочных отношений при поставках импортных электронных компонентов на взаимовыгодных условиях!

Наши преимущества:

- Поставка оригинальных импортных электронных компонентов напрямую с производств Америки, Европы и Азии, а так же с крупнейших складов мира;
- Широкая линейка поставок активных и пассивных импортных электронных компонентов (более 30 млн. наименований);
- Поставка сложных, дефицитных, либо снятых с производства позиций;
- Оперативные сроки поставки под заказ (от 5 рабочих дней);
- Экспресс доставка в любую точку России;
- Помощь Конструкторского Отдела и консультации квалифицированных инженеров;
- Техническая поддержка проекта, помощь в подборе аналогов, поставка прототипов;
- Поставка электронных компонентов под контролем ВП;
- Система менеджмента качества сертифицирована по Международному стандарту ISO 9001;
- При необходимости вся продукция военного и аэрокосмического назначения проходит испытания и сертификацию в лаборатории (по согласованию с заказчиком);
- Поставка специализированных компонентов военного и аэрокосмического уровня качества (Xilinx, Altera, Analog Devices, Intersil, Interpoint, Microsemi, Actel, Aeroflex, Peregrine, VPT, Syfer, Eurofarad, Texas Instruments, MS Kennedy, Miteq, Cobham, E2V, MA-COM, Hittite, Mini-Circuits, General Dynamics и др.);

Компания «Океан Электроники» является официальным дистрибьютором и эксклюзивным представителем в России одного из крупнейших производителей разъемов военного и аэрокосмического назначения «JONHON», а так же официальным дистрибьютором и эксклюзивным представителем в России производителя высокотехнологичных и надежных решений для передачи СВЧ сигналов «FORSTAR».



## JONHON

«JONHON» (основан в 1970 г.)

Разъемы специального, военного и аэрокосмического назначения:

(Применяются в военной, авиационной, аэрокосмической, морской, железнодорожной, горно- и нефтедобывающей отраслях промышленности)

«FORSTAR» (основан в 1998 г.)

ВЧ соединители, коаксиальные кабели,  
кабельные сборки и микроволновые компоненты:

(Применяются в телекоммуникациях гражданского и специального назначения, в средствах связи, РЛС, а так же военной, авиационной и аэрокосмической отраслях промышленности).



Телефон: 8 (812) 309-75-97 (многоканальный)

Факс: 8 (812) 320-03-32

Электронная почта: [ocean@oceanchips.ru](mailto:ocean@oceanchips.ru)

Web: <http://oceanchips.ru/>

Адрес: 198099, г. Санкт-Петербург, ул. Калинина, д. 2, корп. 4, лит. А