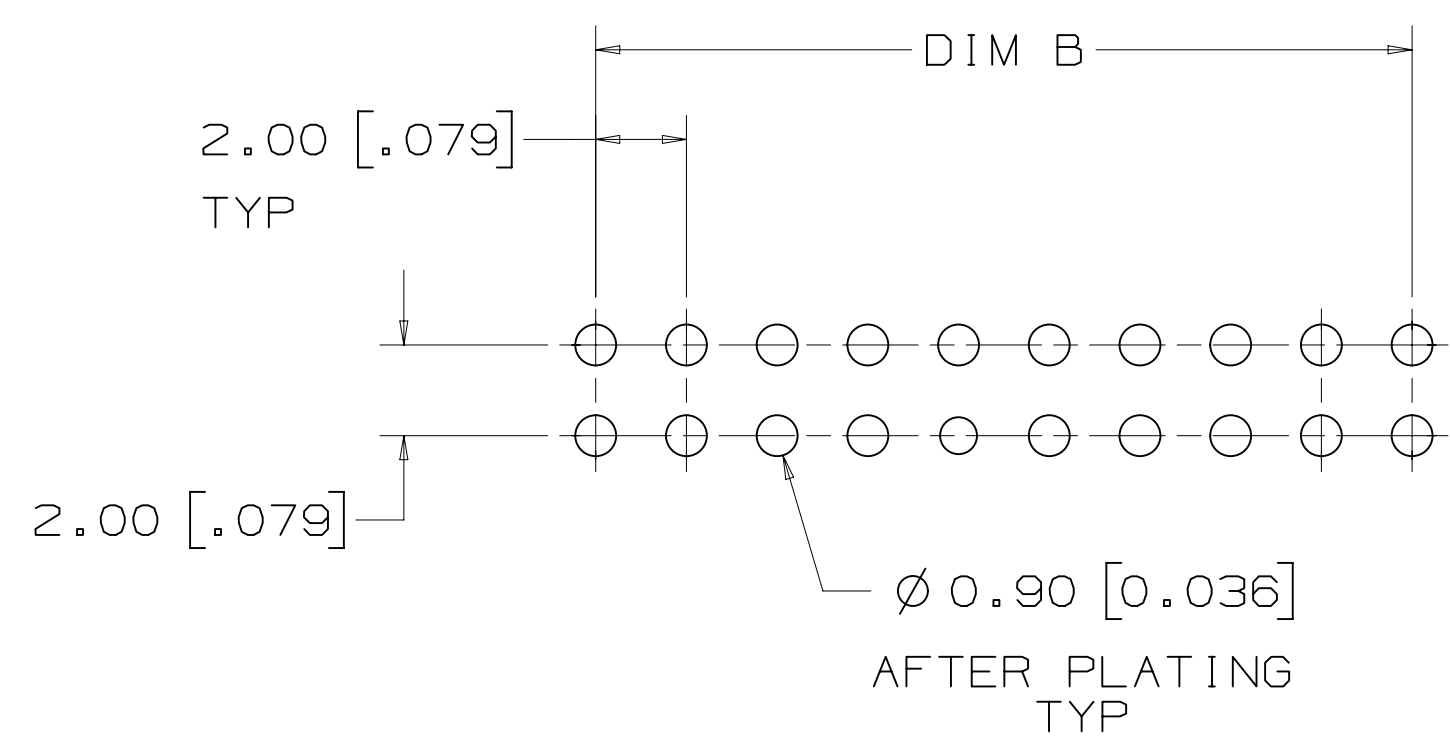
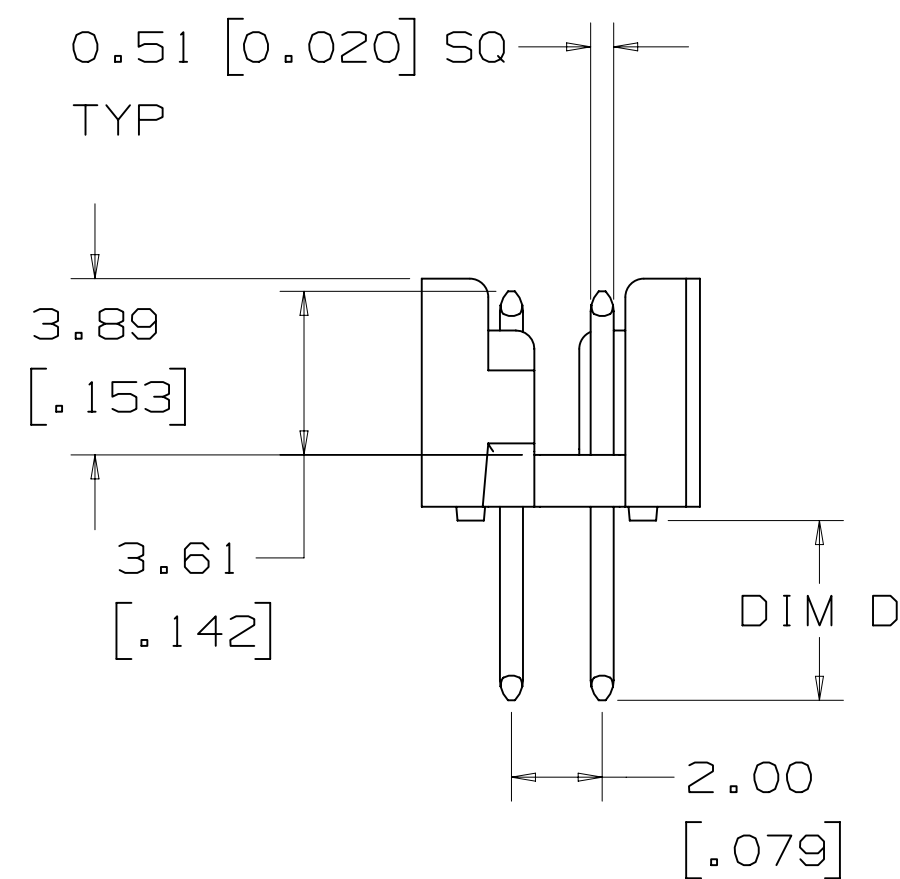
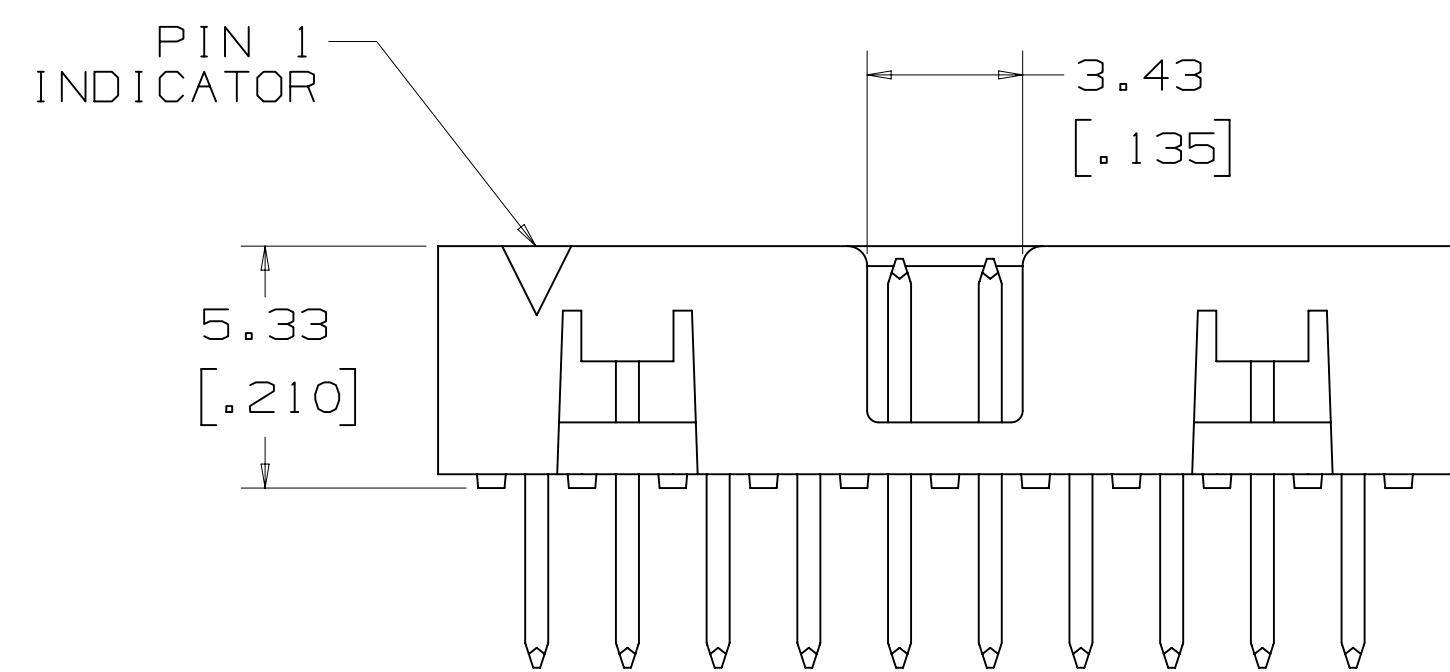
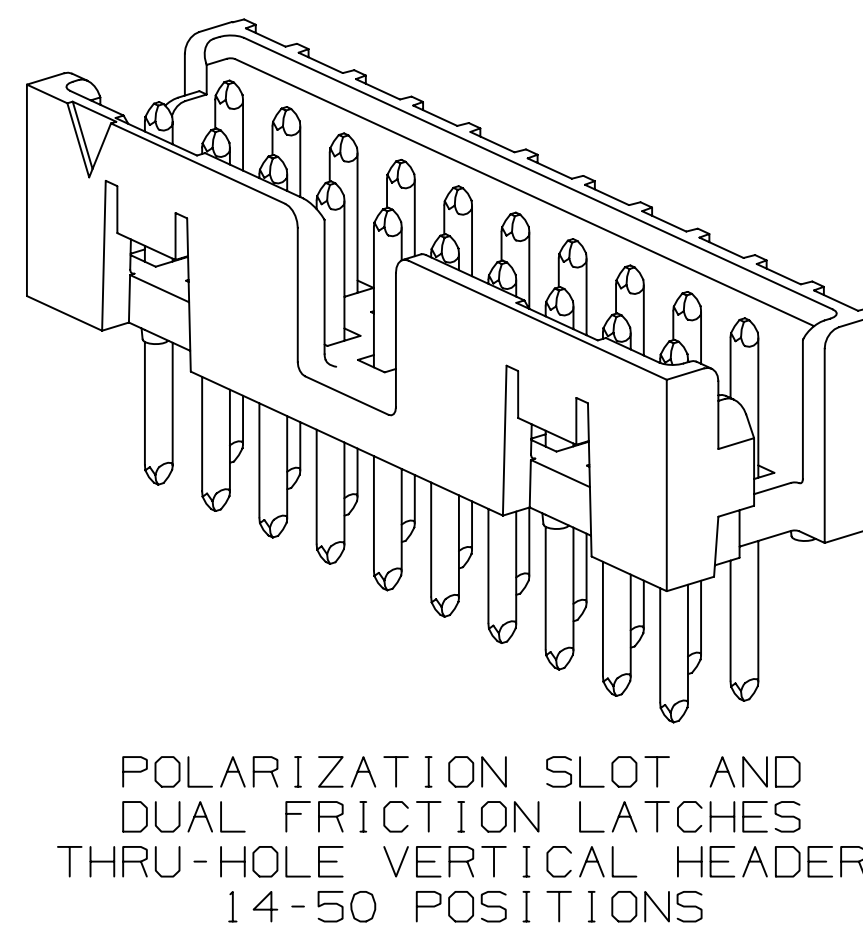
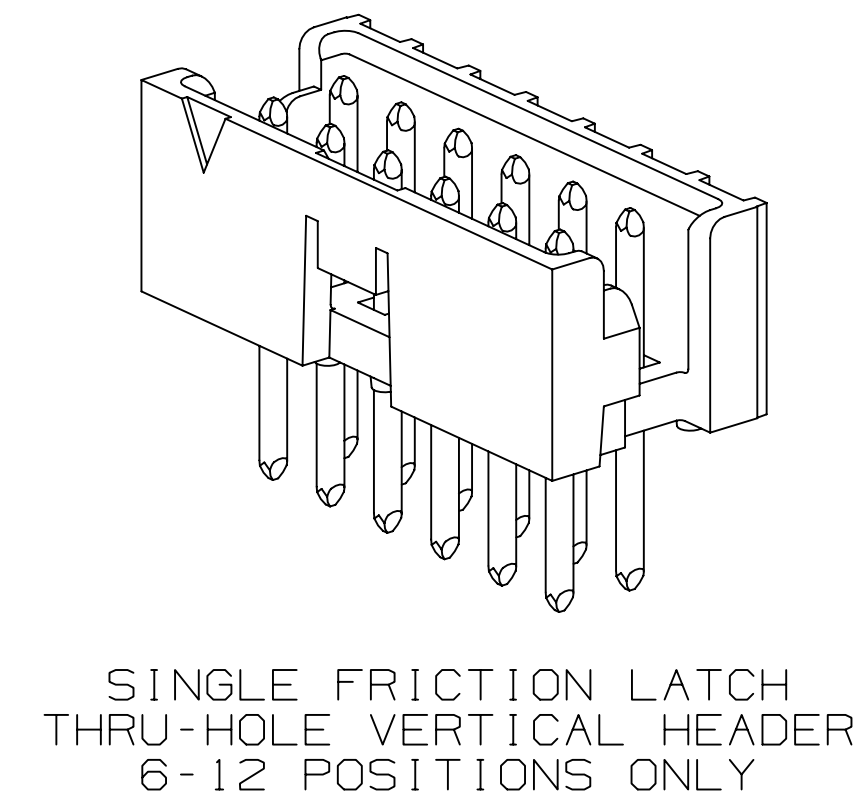
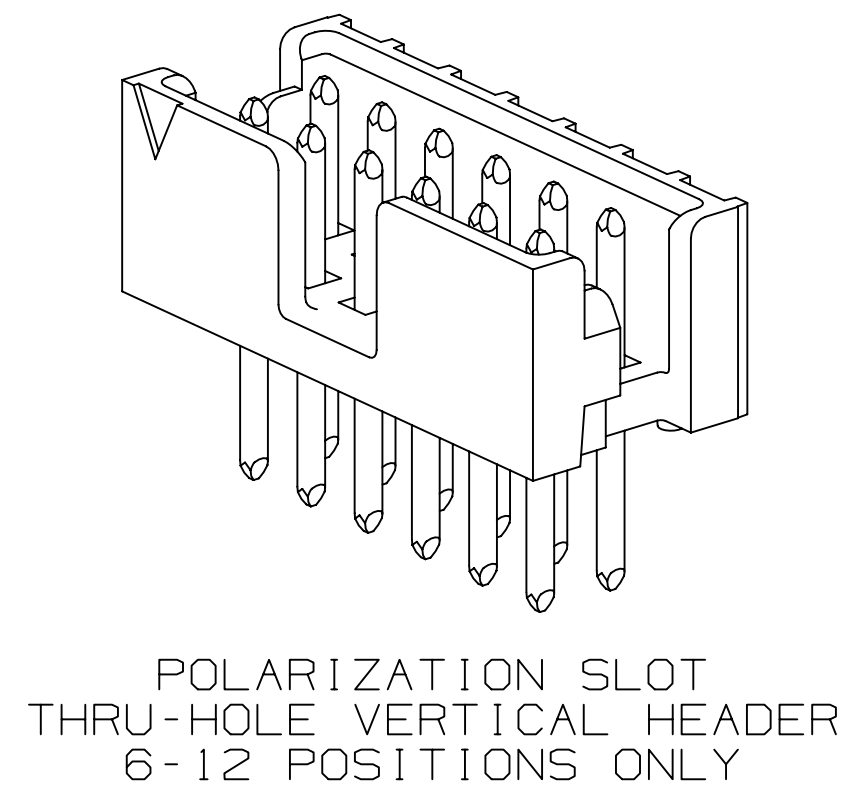
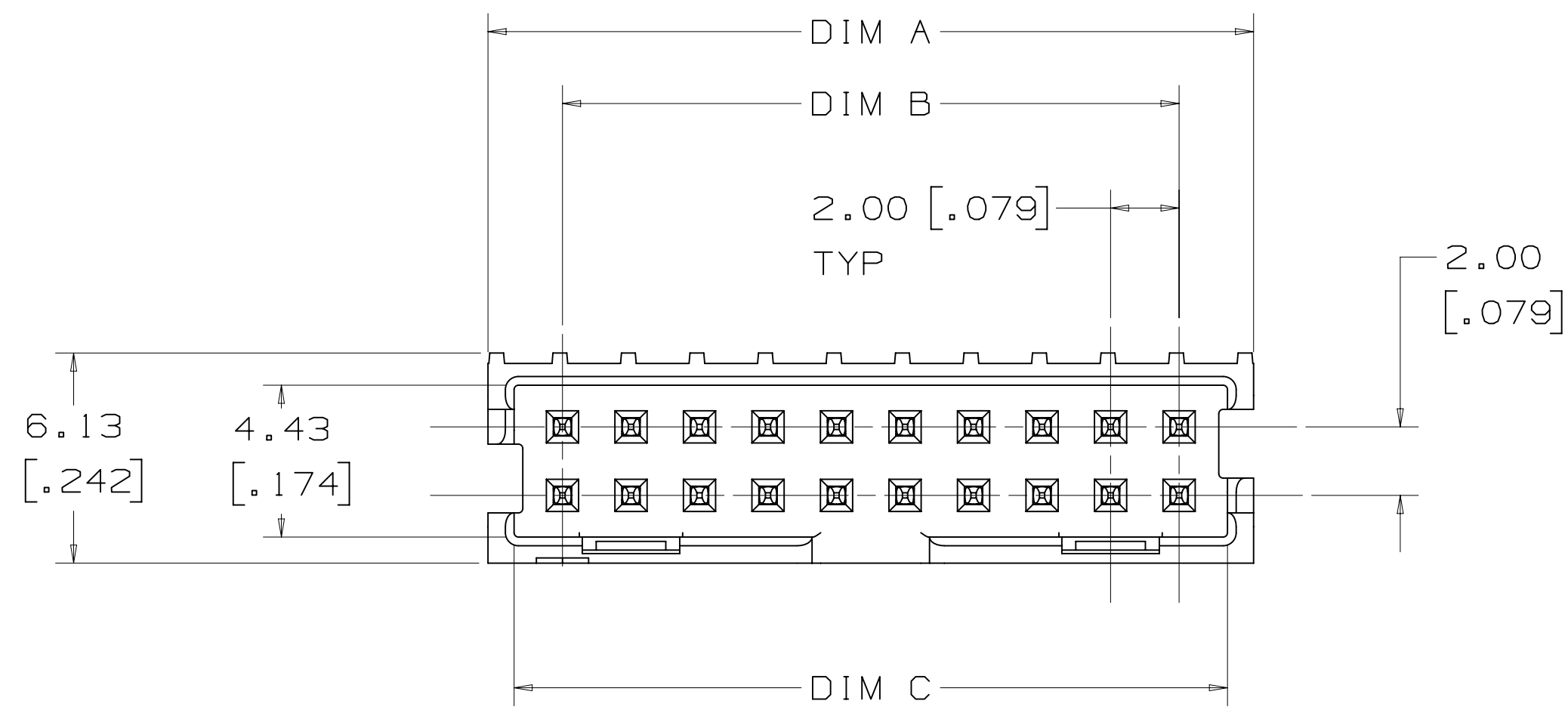


3M™ Shrouded Board Mount Header 2 mm X 2 mm Pitch 159 Series, Standard Length [3] and Extended Length [4]



PERFORMANCE [5] [7]	
CURRENT:	1.25 A, ALL LINES ENERGIZED 2.75 A, 6 LINES ENERGIZED 4.75 A, 1 LINE ENERGIZED
INSULATION RESISTANCE:	>1 X 10 ⁹ OHMS AT 500 VDC
WITHSTANDING VOLTAGE:	500 VACrms AT SEA LEVEL
TEMPERATURE RATING:	-55° C TO +105° C
SOLDER PROCESS TEMPERATURE:	260° C MAX PER IPC/JEDEC J-STD-020D

REFERENCE TABLE ON SHEET 5 FOR AVAILABLE TAIL POSITIONS AND SOLDER TAIL LENGTHS

METRIC [ENGLISH]

NOTES

- 1 MATERIAL:
BODY: HIGH TEMPERATURE GLASS FILLED LCP, BLACK UL94V-0
CONTACTS: COPPER ALLOY
- 2 PLATING:
2.03-3.81 μm [80-150 μin] NICKEL UNDERPLATE.
0.38 μm [15 μin] OR 0.76 μm [30 μin] AVG GOLD ON WIPING AREA.
5.08 μm [200 μin] MIN MATTE TIN ON SOLDER TAILS.
- 3 STANDARD LENGTH HEADERS MATE WITH 3M™ SOCKETS, 158 SERIES (REFERENCE 3M DRAWING 78-5100-2358-9).
- 4 EXTENDED LENGTH HEADERS MATE WITH 3M™ SOCKETS, 870 SERIES.
- 5 FOR PRODUCT SPECIFICATIONS AND WARRANTY INFORMATION SEE 3M 78-5102-0078-1.
- 6 SEE THE REGULATORY INFORMATION APPENDIX (RIA) IN THE "ROHS COMPLIANCE" SECTION OF WWW.3MCONNECTOR.COM FOR COMPLIANCE INFORMATION (RIA E1 & C1 APPLY).
- 7 IN THE EVENT OF CONFLICT BETWEEN THIS DATA AND THAT CONTAINED IN THE PRODUCT SPECIFICATION, THE PRODUCT SPECIFICATION TAKES PRECEDENT.

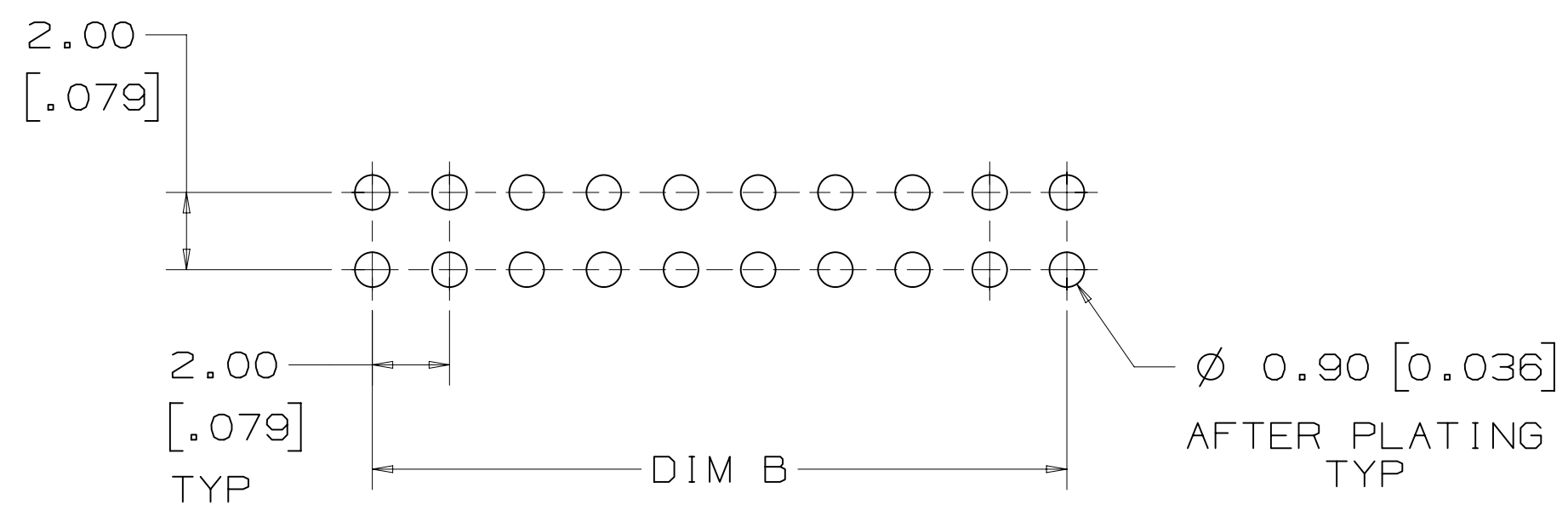
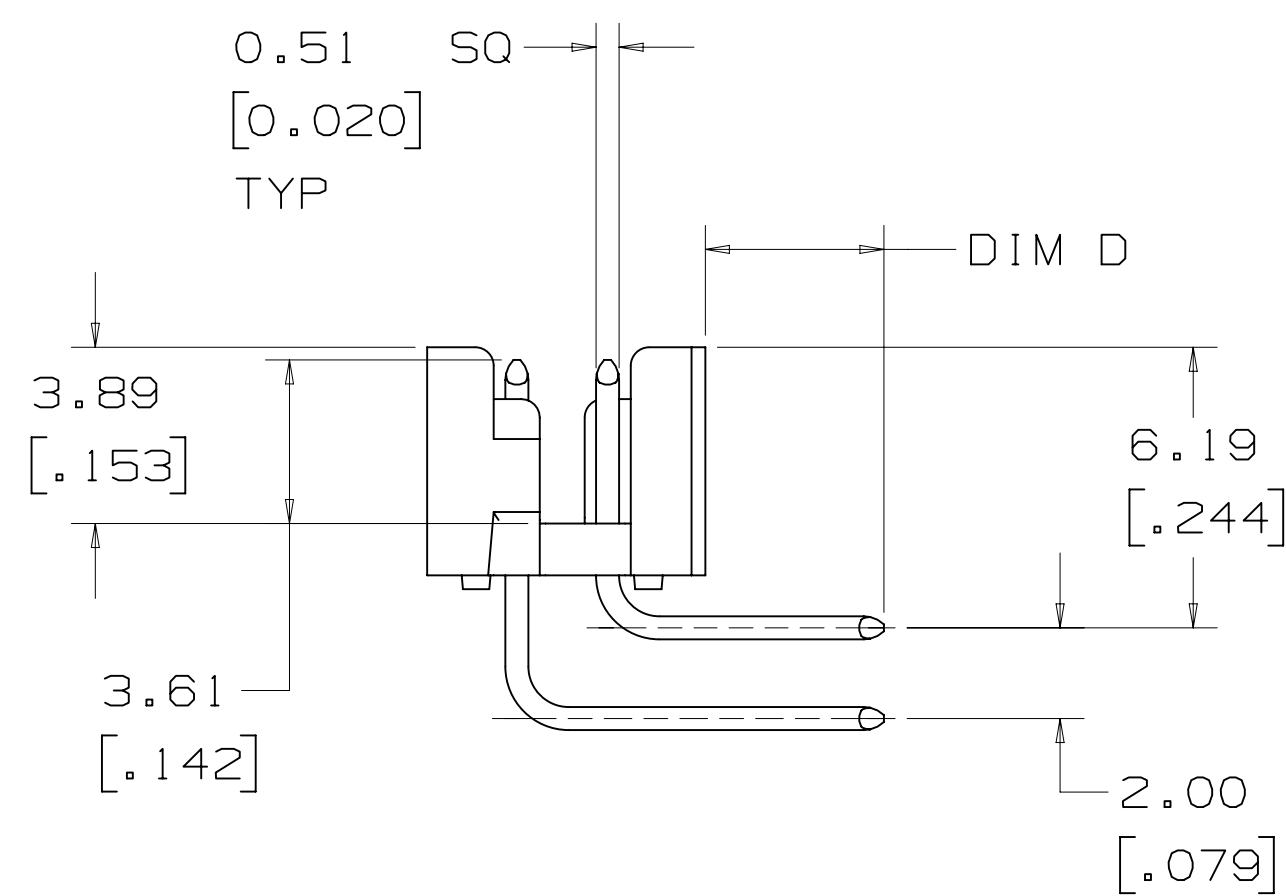
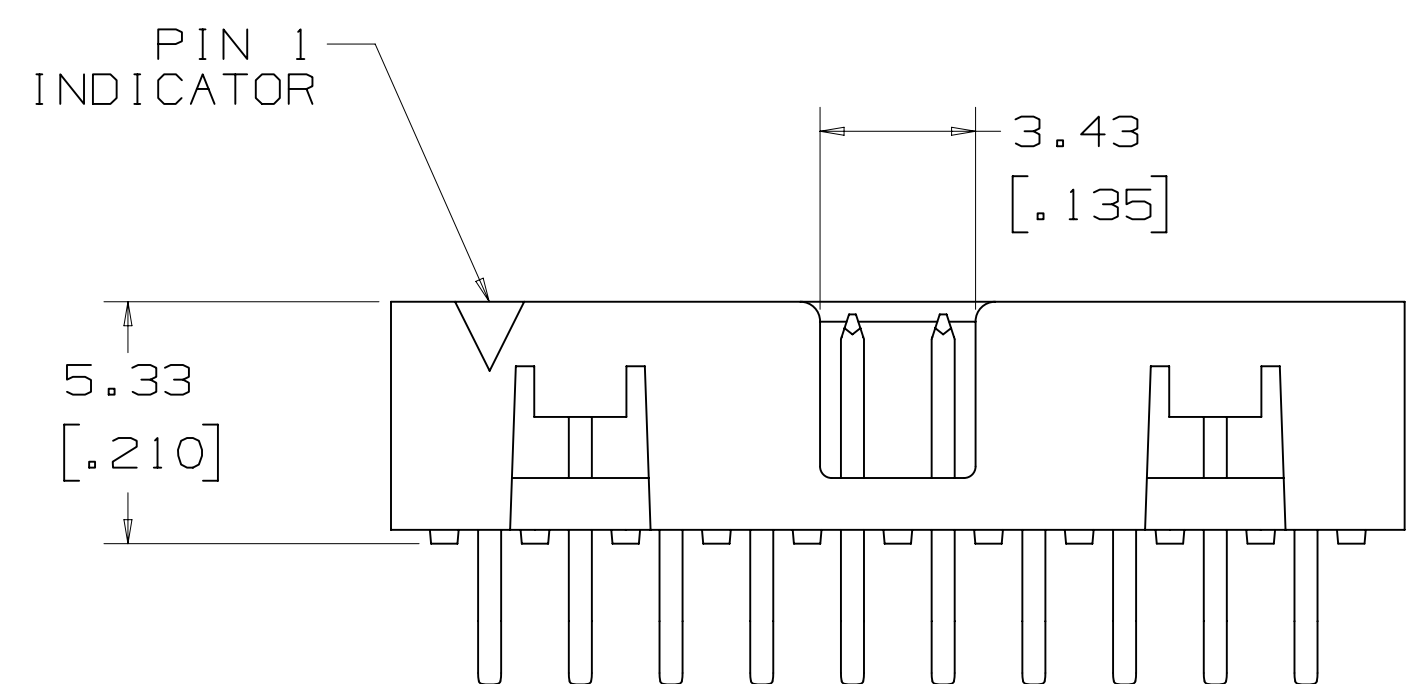
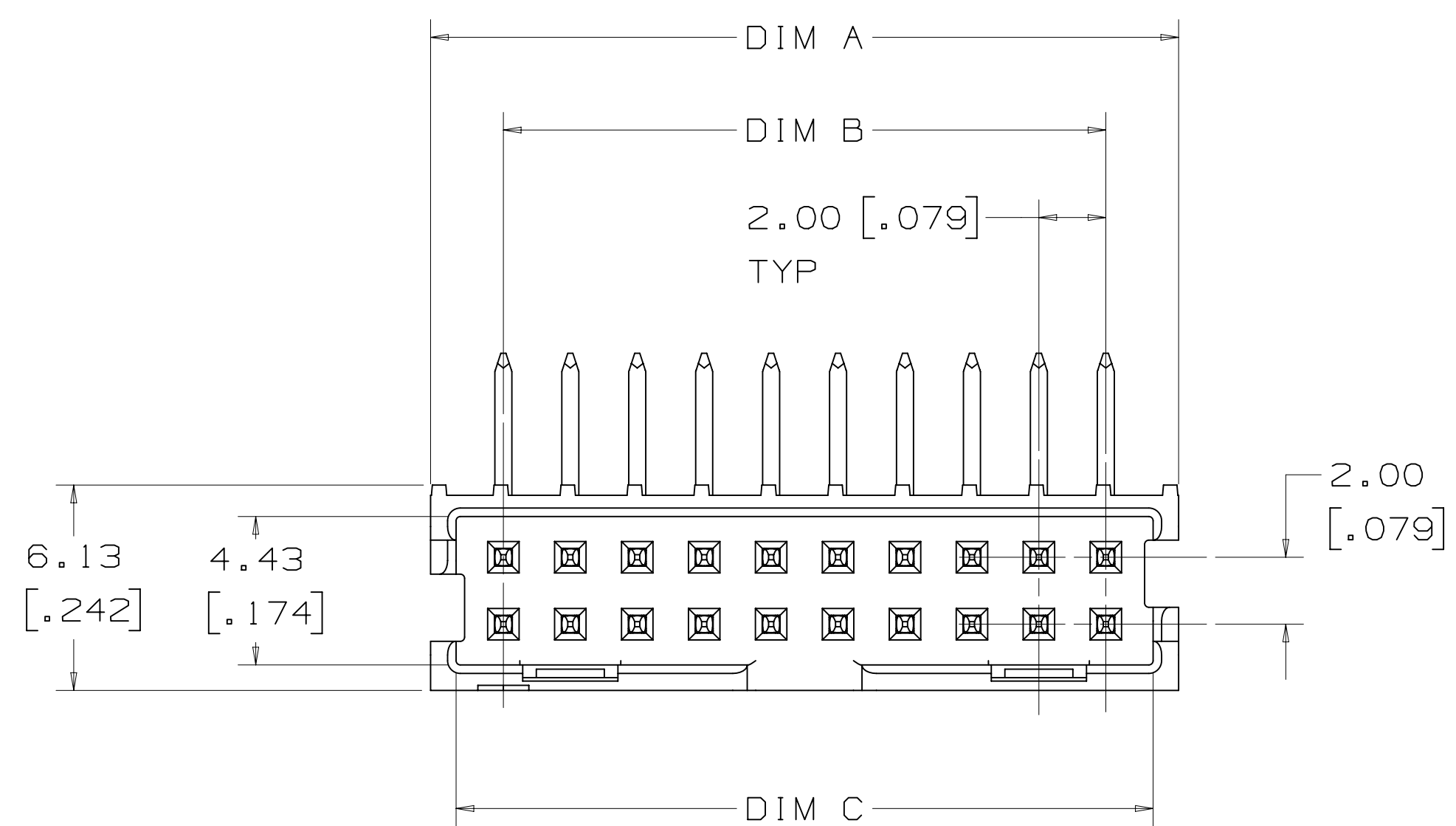
REV	ECO	ISSUE DATE AND DESCRIPTION	DRFT	CHKD
D	41488	JUN 20, 2012 REVISED CURRENT RATING IN PERFORMANCE TABLE	LDS	SAN
C	39876	APR 18, 2012 REMOVED 32 POS FROM TABLE ON SHT 5	LDS	SAN
B	34080	MAY 18, 2011 ADDED 6.19 DIM ON SHT 2; REVISED & MOVED TABLE TO SHT 5	LDS	SF
A	30741	OCT 28, 2010 INITIAL RELEASE	LDS	SF

DESIGN REFERENCE	NEXT ASSEMBLY	REV	ECO	ISSUE DATE AND DESCRIPTION	DRFT	CHKD
		L. SCHMIDT		JUL 29, 2010		
						S. FELDMAN
						AUG 09, 2010

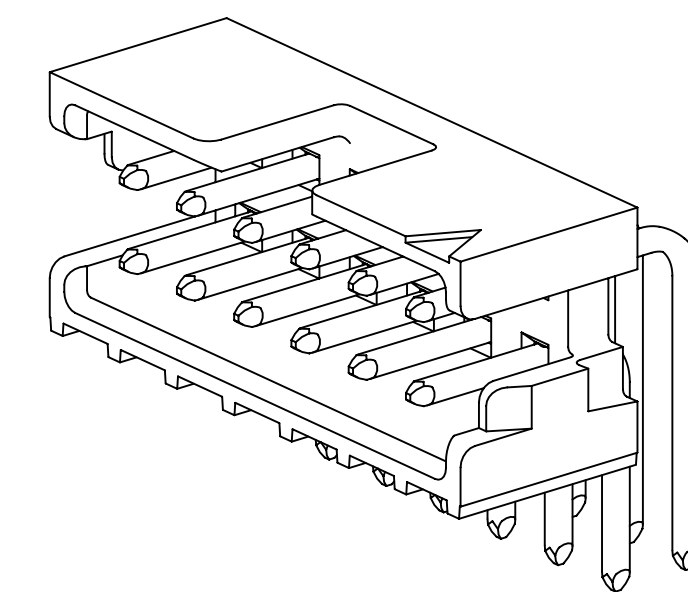
DO NOT SCALE DRAWING	SCALE 6/1	TOLERANCES EXCEPT AS NOTED	
THIRD ANGLE PROJECTION		MILLIMETERS	
INTERPRET PER ASME Y14.5 - 1994		0 ±	
MAX SURFACE ROUGHNESS	125	ALL SURFACES	0 ±
	✓	MARKED ONLY	0.13 ±
		ANGLES ±1°	

		© 3M COPYR [SHT] 2010 This document and the information it contains are 3M property and may not be reproduced or further distributed without 3M permission, or used or disclosed other than for 3M authorized purposes. All rights reserved.
TITLE 3M SHROUDED BOARD MOUNT HEADER 2 MM X 2 MM PITCH 159 SERIES		
CAGE NUMBER	SIZE	DRAWING NO.
D		78-5100-2359-7
REV.	SHT 1 OF 5	
D		

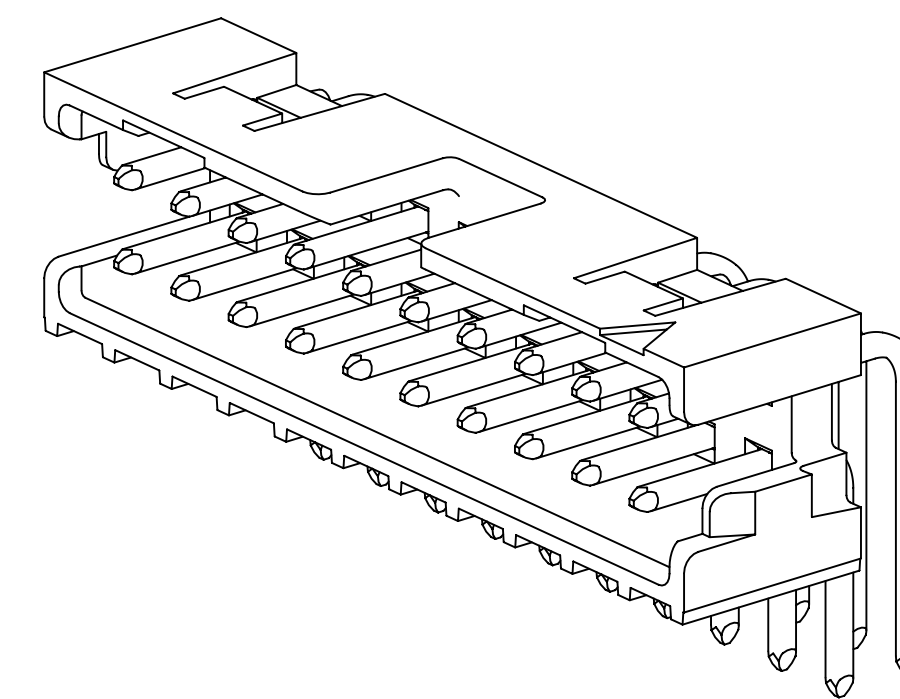
3M™ Shrouded Board Mount Header 2 mm X 2 mm Pitch 159 Series, Standard Length [3] and Extended Length [4]



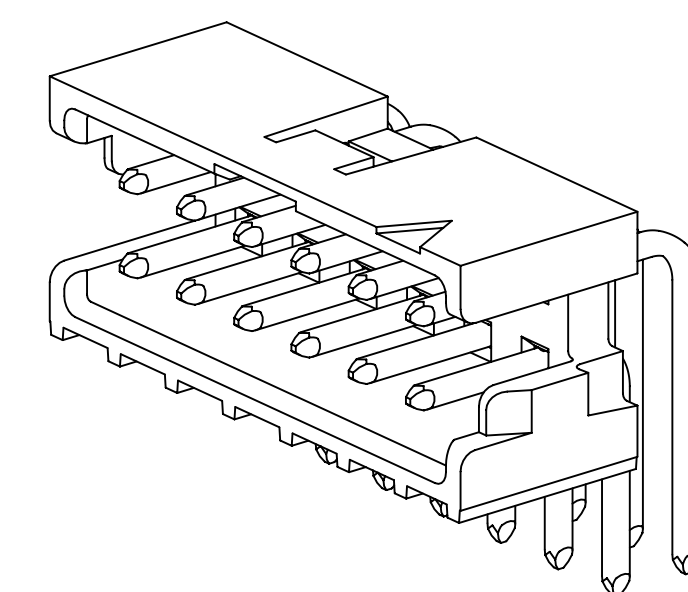
RECOMMENDED PCB HOLE PATTERN
TOLERANCE = ±0.05 [.002]



POLARIZATION SLOT
RIGHT ANGLE HEADER
6-12 POSITIONS ONLY



POLARIZATION SLOT AND
DUAL FRICTION LATCHES
RIGHT ANGLE HEADER
14-50 POSITIONS



SINGLE FRICTION LATCH
RIGHT ANGLE HEADER
6-12 POSITIONS ONLY

REFERENCE TABLE ON SHEET 5
FOR AVAILABLE POSITIONS AND
SOLDER TAIL LENGTHS

METRIC [ENGLISH]

REV	ECO	ISSUE DATE AND DESCRIPTION	DRFT	CHKD
D	41488	JUN 20, 2012 REVISED CURRENT RATING IN PERFORMANCE TABLE	LDS	SAN
C	39876	APR 18, 2012 REMOVED 32 POS FROM TABLE ON SHT 5	LDS	SAN
B	34080	MAY 18, 2011 ADDED 6.19 DIM ON SHT 2; REVISED & MOVED TABLE TO SHT 5	LDS	SF
A	30741	OCT 28, 2010 INITIAL RELEASE	LDS	SF

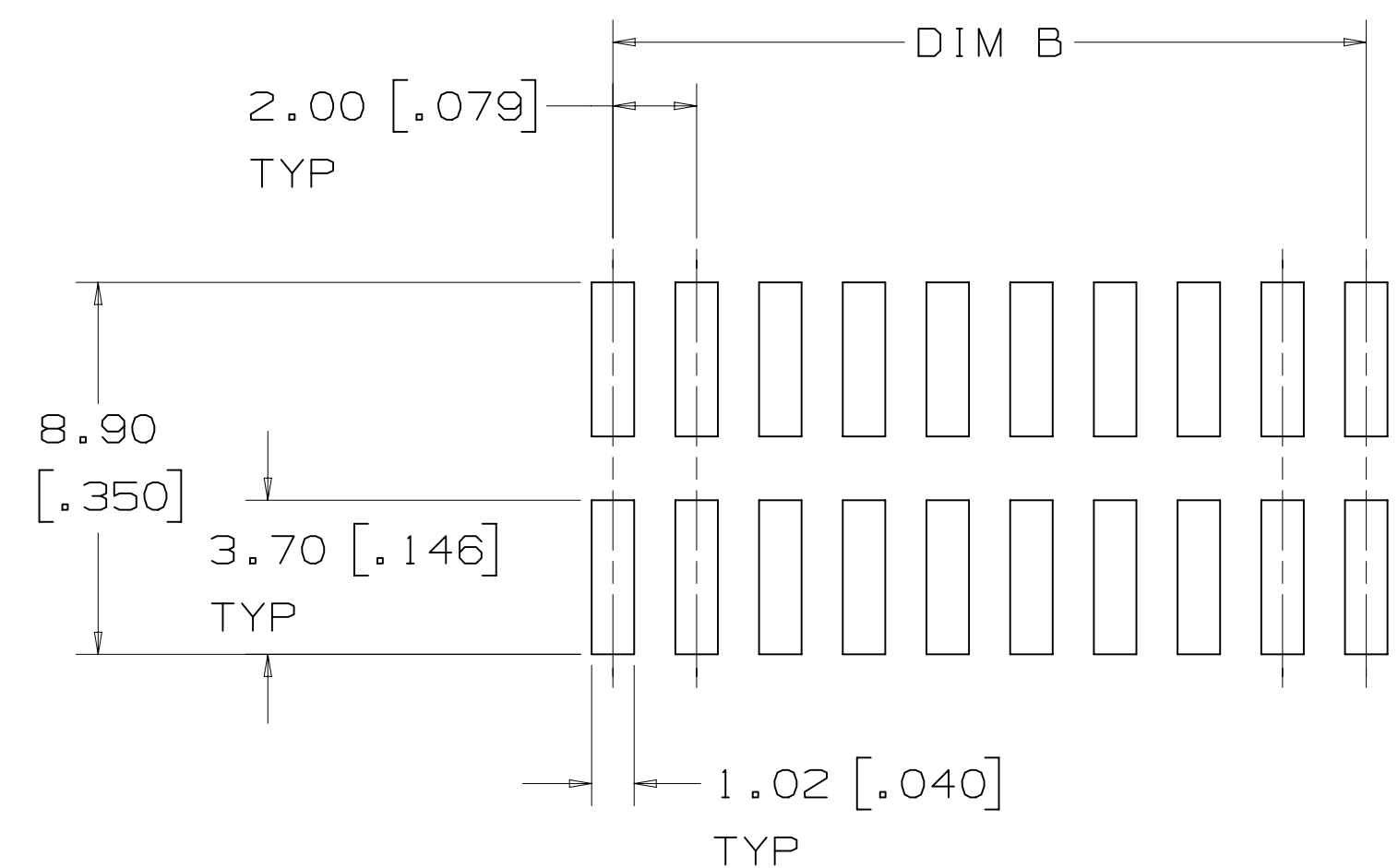
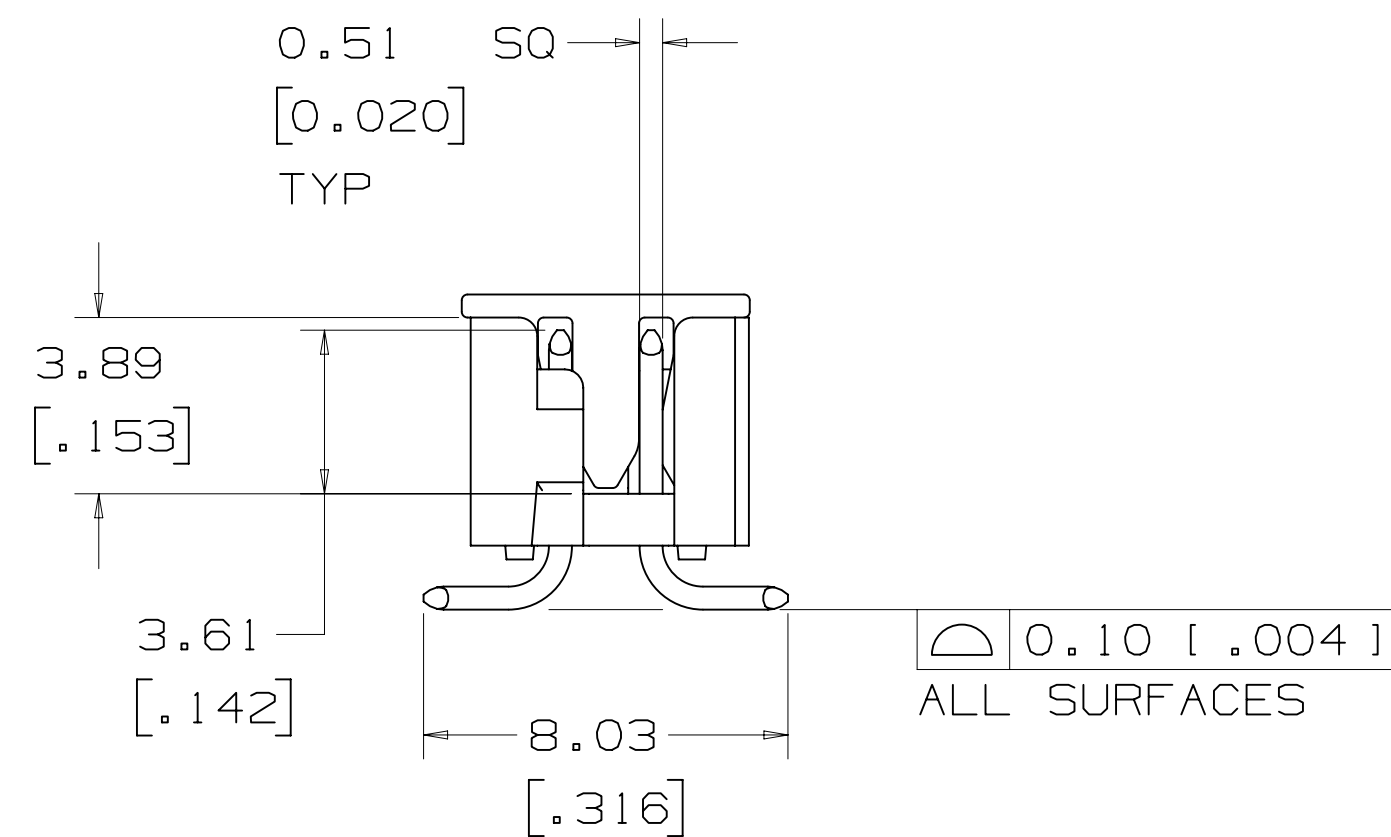
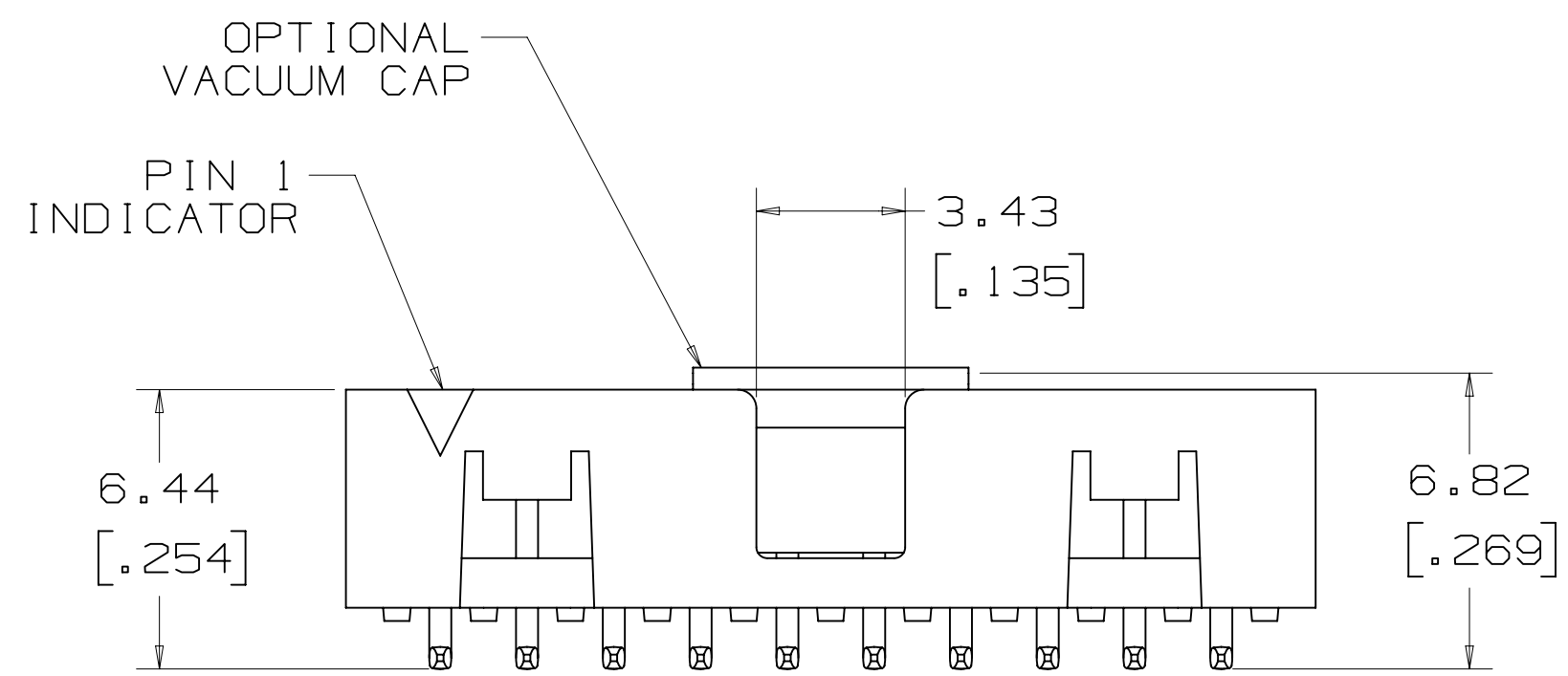
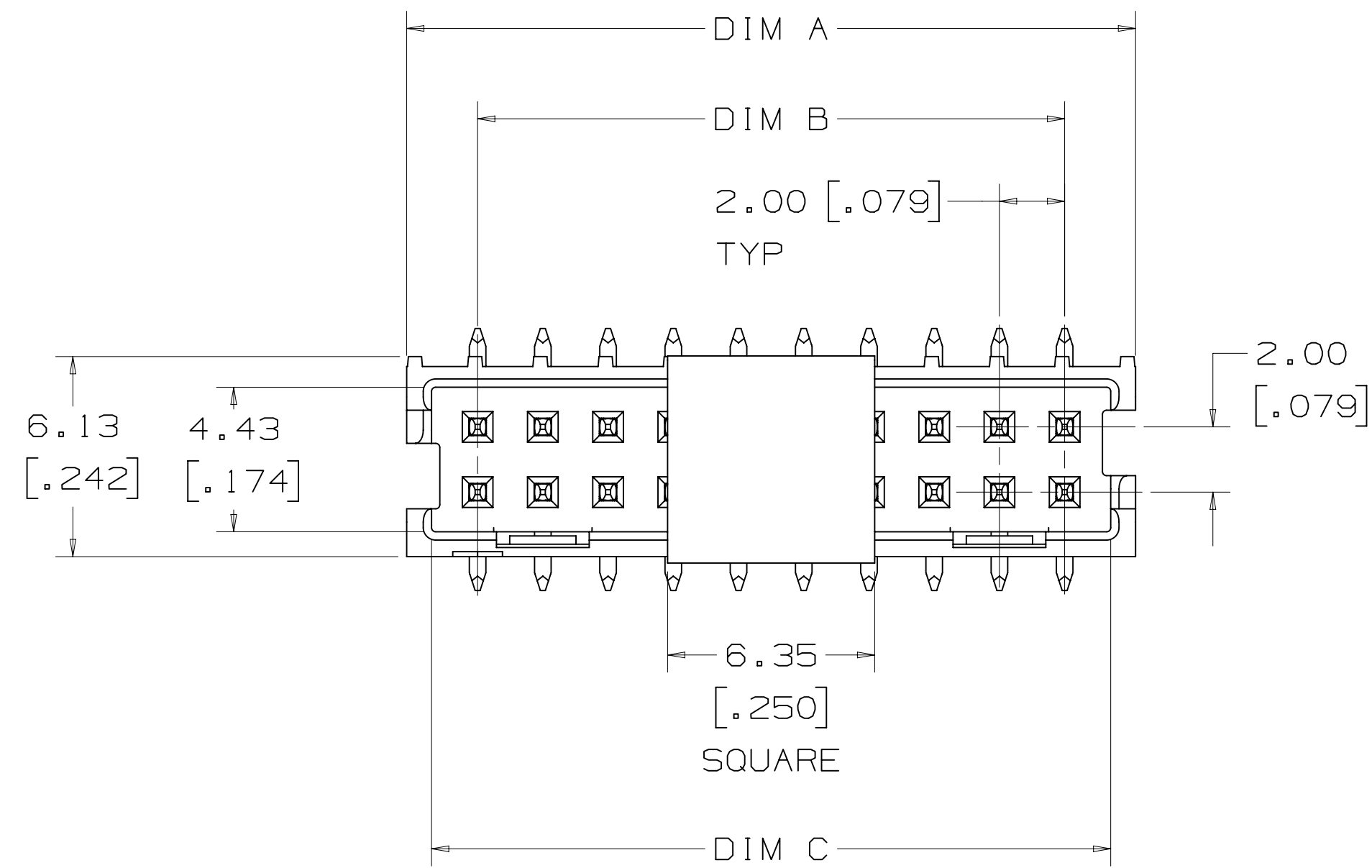
DESIGN REFERENCE	NEXT ASSEMBLY	REV	ECO	ISSUE DATE AND DESCRIPTION	DRFT	CHKD
DIVISION: SCALE: DRAWING:		DIVISION CODE: SCALE: DRAWING:		DRFT: L. SCHMIDT DATE: JUL 29, 2010 CHKD: S FELDMAN DATE: AUG 09, 2010		
DO NOT SCALE DRAWING		SCALE: 4/1		TOLERANCES EXCEPT AS NOTED		
THIRD ANGLE PROJECTION		INCHES: .00 ±, .000 ±, .0000 ±		MILLIMETERS: 0 ±, .00 ±, .00 ± 0.13, .000 ±		
INTERPRET PER ASME Y14.5 - 1994		MAX SURFACE ROUGHNESS: 125, ALL SURFACES, MARKED ONLY		ANGLES: ±1°		
TITLE: 3M SHROUDED BOARD MOUNT HEADER 2 MM X 2 MM PITCH 159 SERIES		CAGE NUMBER: D78-5100-2359-7		REV. D		

78-5100-2359-7
DRAWING NUMBER

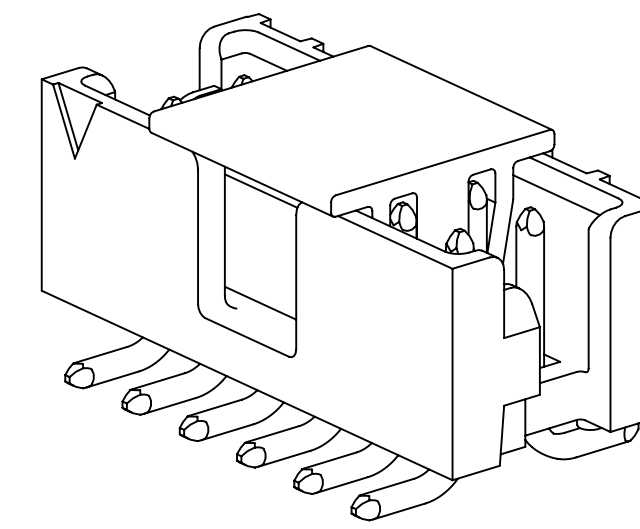
A

SHT 2 OF 5

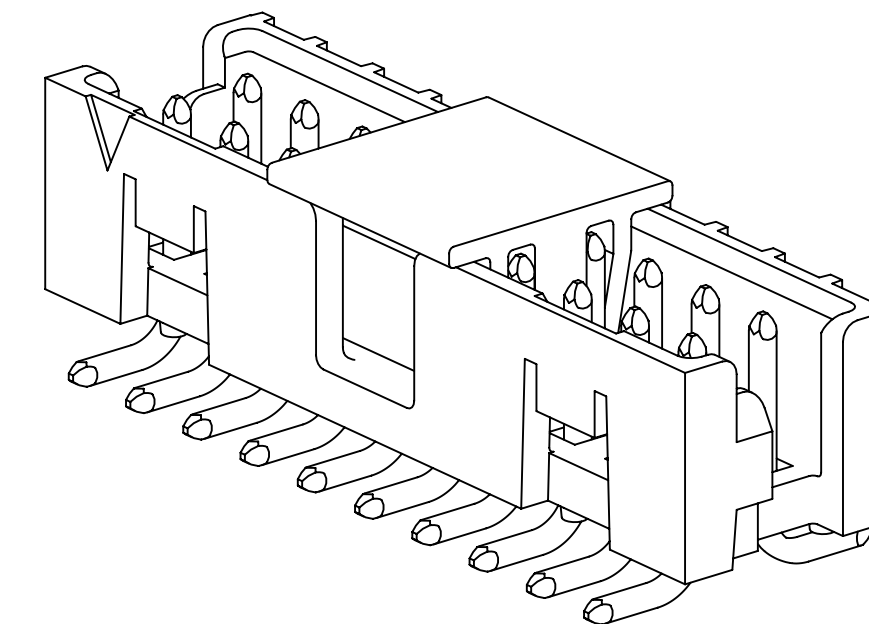
3M™ Shrouded Board Mount Header 2 mm X 2 mm Pitch 159 Series, Standard Length [3] and Extended Length [4]



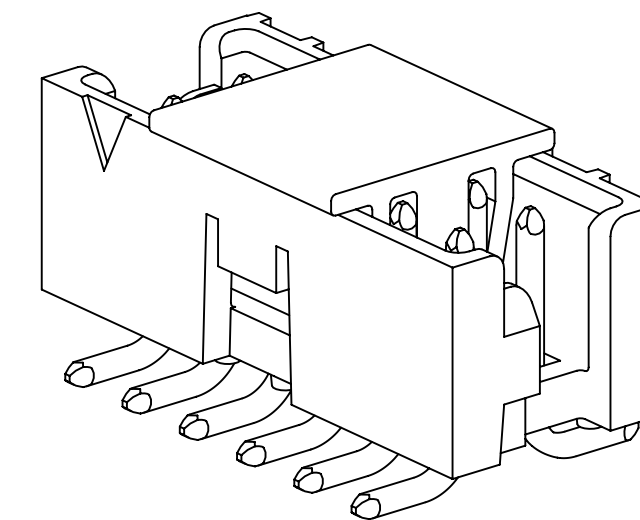
RECOMMENDED PCB PAD PATTERN
TOLERANCE = ±0.08 [.003]



POLARIZATION SLOT
SURFACE MOUNT HEADER
6-12 POSITIONS ONLY



POLARIZATION SLOT AND
DUAL FRICTION LATCHES
SURFACE MOUNT HEADER
14-50 POSITIONS



SINGLE FRICTION LATCH
SURFACE MOUNT HEADER
6-12 POSITIONS ONLY

REFERENCE TABLE ON SHEET 5
FOR AVAILABLE POSITIONS

METRIC (ENGLISH)

DESIGN REFERENCE	NEXT ASSEMBLY	REV	ECO	ISSUE DATE AND DESCRIPTION	DRFT	CHKD
		D	41488	JUN 20, 2012 REVISED CURRENT RATING IN PERFORMANCE TABLE	LDS	SAN
		C	39876	APR 18, 2012 REMOVED 32 POS FROM TABLE ON SHT 5	LDS	SAN
		B	34080	MAY 18, 2011 ADDED 6.19 DIM ON SHT 2; REVISED & MOVED TABLE TO SHT 5	LDS	SF
		A	30741	OCT 28, 2010 INITIAL RELEASE	LDS	SF

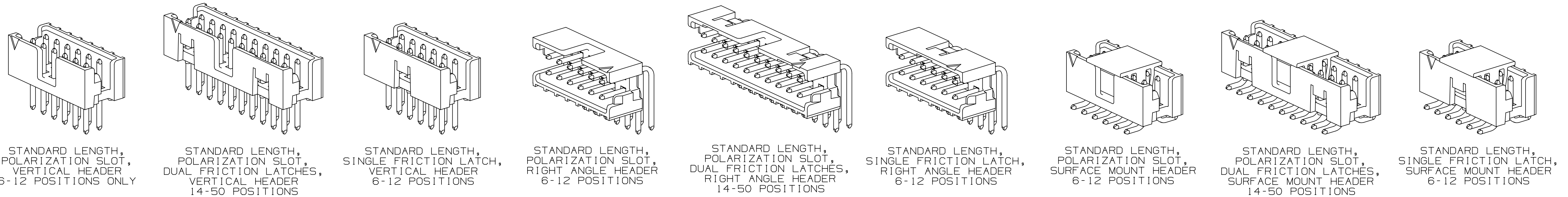
DESIGNER	DATE	APPV	DATE
L. SCHMIDT	JUL 29, 2010	S FELDMAN	AUG 09, 2010

DO NOT SCALE DRAWING	SCALE 4/1	TOLERANCES EXCEPT AS NOTED
THIRD ANGLE PROJECTION	INCHES	MILLIMETERS
MAX SURFACE ROUGHNESS 125	ALL SURFACES	ANGLES ±1°

		© 3M COPYRIGHT 2010 This document and the information it contains are 3M property and may not be reproduced or further distributed without 3M permission, or used or disclosed other than for 3M authorized purposes. All rights reserved.
TITLE 3M SHROUDED BOARD MOUNT HEADER 2 MM X 2 MM PITCH 159 SERIES		
CAGE NUMBER	SIZE	DRAWING NO.
D	78-5100	2359-7
REV.	SHT 3 OF 5	

3M™ Shrouded Board Mount Header 2 mm X 2 mm Pitch 159 Series, Standard Length 3

STANDARD LENGTH HEADERS ARE AVAILABLE



STANDARD LENGTH, POLARIZATION SLOT, VERTICAL HEADER 6-12 POSITIONS ONLY

STANDARD LENGTH, POLARIZATION SLOT, DUAL FRICTION LATCHES, VERTICAL HEADER 14-50 POSITIONS

STANDARD LENGTH, SINGLE FRICTION LATCH, VERTICAL HEADER 6-12 POSITIONS

STANDARD LENGTH, POLARIZATION SLOT, RIGHT ANGLE HEADER 6-12 POSITIONS

STANDARD LENGTH, POLARIZATION SLOT, DUAL FRICTION LATCHES, RIGHT ANGLE HEADER 14-50 POSITIONS

STANDARD LENGTH, SINGLE FRICTION LATCH, RIGHT ANGLE HEADER 6-12 POSITIONS

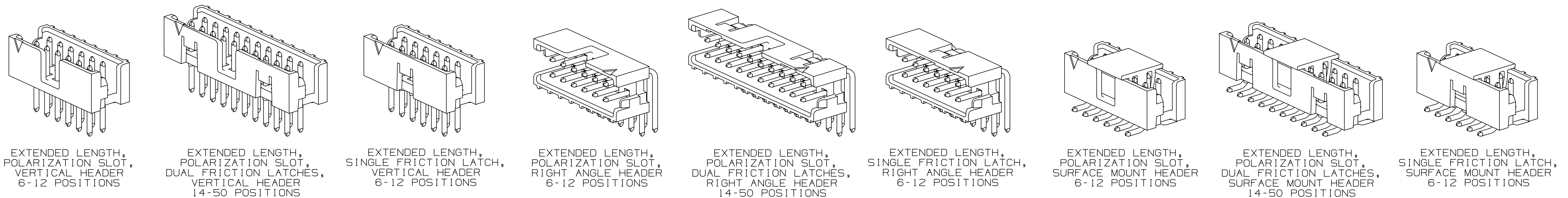
STANDARD LENGTH, POLARIZATION SLOT, SURFACE MOUNT HEADER 6-12 POSITIONS

STANDARD LENGTH, POLARIZATION SLOT, DUAL FRICTION LATCHES, SURFACE MOUNT HEADER 14-50 POSITIONS

STANDARD LENGTH, SINGLE FRICTION LATCH, SURFACE MOUNT HEADER 6-12 POSITIONS

3M™ Shrouded Board Mount Header 2 mm X 2 mm Pitch 159 Series, Extended Length 4

CALL 3M INTERCONNECT SOLUTIONS AT 800-225-5373 FOR AVAILABILITY OF EXTENDED LENGTH HEADERS



EXTENDED LENGTH, POLARIZATION SLOT, VERTICAL HEADER 6-12 POSITIONS

EXTENDED LENGTH, POLARIZATION SLOT, DUAL FRICTION LATCHES, VERTICAL HEADER 14-50 POSITIONS

EXTENDED LENGTH, SINGLE FRICTION LATCH, VERTICAL HEADER 6-12 POSITIONS

EXTENDED LENGTH, POLARIZATION SLOT, RIGHT ANGLE HEADER 6-12 POSITIONS

EXTENDED LENGTH, POLARIZATION SLOT, DUAL FRICTION LATCHES, RIGHT ANGLE HEADER 14-50 POSITIONS

EXTENDED LENGTH, SINGLE FRICTION LATCH, RIGHT ANGLE HEADER 6-12 POSITIONS

EXTENDED LENGTH, POLARIZATION SLOT, SURFACE MOUNT HEADER 6-12 POSITIONS

EXTENDED LENGTH, POLARIZATION SLOT, DUAL FRICTION LATCHES, SURFACE MOUNT HEADER 14-50 POSITIONS

EXTENDED LENGTH, SINGLE FRICTION LATCH, SURFACE MOUNT HEADER 6-12 POSITIONS

ORDERING INFORMATION

TIER 1 - BEST
 1591XX-XXXX

TIER 1 = BEST 0.76 μm [30 μin] GOLD

CONTACT TAIL LENGTH
 2 = 2.84 mm [.112]
 3 = 3.94 mm [.155]

POLARIZATION/LATCHING
 0 = POLARIZATION SLOT AND DUAL FRICTION LATCHES (14-50 POSITIONS ONLY)
 1 = POLARIZATION SLOT (6-12 POSITIONS ONLY)
 2 = SINGLE FRICTION LATCH (6-12 POSITIONS ONLY)

POSITION COUNT (SEE TABLE)

PART CONFIGURATION
 2 = VERTICAL SMT
 5 = RIGHT ANGLE THRU HOLE
 6 = VERTICAL THRU HOLE

BODY LENGTH
 0 = STANDARD LENGTH (MATES TO 158 SERIES)
 1 = EXTENDED LENGTH (MATES TO 870 SERIES)

TIER 2 - BETTER
 1592XX-XXXX

TIER 2 = BETTER 0.38 μm [15 μin] GOLD

CONTACT TAIL LENGTH
 2 = 2.84 mm [.112]
 3 = 3.94 mm [.155]

POLARIZATION/LATCHING
 0 = POLARIZATION SLOT AND DUAL FRICTION LATCHES (14-50 POSITIONS ONLY)
 1 = POLARIZATION SLOT (6-12 POSITIONS ONLY)
 2 = SINGLE FRICTION LATCH (6-12 POSITIONS ONLY)

POSITION COUNT (SEE TABLE)

PART CONFIGURATION
 2 = VERTICAL SMT
 5 = RIGHT ANGLE THRU HOLE
 6 = VERTICAL THRU HOLE

BODY LENGTH
 0 = STANDARD LENGTH (MATES TO 158 SERIES)
 1 = EXTENDED LENGTH (MATES TO 870 SERIES)

METRIC (ENGLISH)


DESIGN REFERENCE	NEXT ASSEMBLY	REV	ECO	ISSUE DATE AND DESCRIPTION	DRFT	CHKD
1591XX-XXXX		L. SCHMIDT		JUL 29, 2010		
DIVISION	DIVISION CODE	APPR	DATE	MFG	DATE	
		S FELDMAN			AUG 09, 2010	
DO NOT SCALE DRAWING	SCALE 4/1	TOLERANCES EXCEPT AS NOTED				
THIRD ANGLE PROJECTION		INCHES .00 ± .000 ± .0000 ±		MILLIMETERS 0 ± .00 ± .00 ± 0.13 .000 ±		
INTERPRET PER ASME Y14.5 - 1994		MAX SURFACE ROUGHNESS		CAGE NUMBER D 78-5100-2359-7 MODEL		
125 <input type="checkbox"/> ALL SURFACES <input checked="" type="checkbox"/> MARKED ONLY		ANGLS ±1°		REV. D SHT 4 OF 5		

D	41488	JUN 20, 2012	LDS	SAN
REVISED CURRENT RATING IN PERFORMANCE TABLE				
C	39876	APR 18, 2012	LDS	SAN
REMOVED 32 POS FROM TABLE ON SHT 5				
B	34080	MAY 18, 2011	LDS	SF
ADDED 6.19 DIM ON SHT 2; REVISED & MOVED TABLE TO SHT 5				
A	30741	OCT 28, 2010	LDS	SF
INITIAL RELEASE				

78-5100-2359-7
DRAWING NUMBER

3M™ Shrouded Board Mount Header 2 mm X 2 mm Pitch 159 Series, Standard Length 3 and Extended Length 4

SHROUDED BOX HEADER							
NUMBER OF POSITIONS	DIM A		DIM B	DIM C		DIM D	
	STANDARD	EXTENDED		STANDARD	EXTENDED		
6	8.35 [.329]	9.52 [.375]	4.00 [.157]	6.83 [.269]	7.99 [.315]	2.84 [.112]	3.94 [.155]
8	10.35 [.407]	11.52 [.453]	6.00 [.236]	8.83 [.347]	9.99 [.393]	2.84 [.112]	3.94 [.155]
10	12.35 [.486]	13.52 [.532]	8.00 [.315]	10.83 [.426]	11.99 [.472]	2.84 [.112]	3.94 [.155]
12	14.35 [.565]	15.52 [.611]	10.00 [.394]	12.83 [.505]	13.99 [.551]	2.84 [.112]	3.94 [.155]
14	16.35 [.644]	17.52 [.690]	12.00 [.472]	14.83 [.584]	15.99 [.630]	2.84 [.112]	3.94 [.155]
16	18.35 [.722]	19.52 [.768]	14.00 [.551]	16.83 [.662]	17.99 [.708]	2.84 [.112]	3.94 [.155]
20	22.35 [.880]	23.52 [.926]	18.00 [.709]	20.83 [.820]	21.99 [.866]	2.84 [.112]	3.94 [.155]
22	24.35 [.959]	25.52 [1.005]	20.00 [.787]	22.83 [.899]	23.99 [.945]	2.84 [.112]	3.94 [.155]
24	26.35 [1.037]	27.52 [1.083]	22.00 [.866]	24.83 [.977]	25.99 [1.023]	2.84 [.112]	3.94 [.155]
26	28.35 [1.116]	29.52 [1.162]	24.00 [.945]	26.83 [1.056]	27.99 [1.102]	2.84 [.112]	3.94 [.155]
30	32.35 [1.274]	33.52 [1.320]	28.00 [1.102]	30.83 [1.214]	31.99 [1.260]	2.84 [.112]	3.94 [.155]
34	36.35 [1.431]	37.52 [1.477]	32.00 [1.260]	34.83 [1.371]	35.99 [1.417]	2.84 [.112]	3.94 [.155]
40	42.35 [1.667]	43.52 [1.713]	38.00 [1.496]	40.83 [1.607]	41.99 [1.653]	2.84 [.112]	3.94 [.155]
44	46.35 [1.825]	47.52 [1.871]	42.00 [1.654]	44.83 [1.765]	45.99 [1.811]	2.84 [.112]	3.94 [.155]
50	52.35 [2.061]	53.52 [2.107]	48.00 [1.890]	50.83 [2.001]	51.99 [2.047]	2.84 [.112]	3.94 [.155]

DESIGN REFERENCE	NEXT ASSEMBLY	REV	ECO	ISSUE DATE AND DESCRIPTION	DRFT	CHKD
DATE	DATE	DRP	DATE	MFG	DATE	DATE
		L. SCHMIDT	JUL 29, 2010			
DIVISION	DIVISION CODE	CHKD	DATE	APPR	DATE	
		S FELDMAN	AUG 09, 2010			
DO NOT SCALE DRAWING	SCALE 1/1	TOLERANCES EXCEPT AS NOTED		 © 3M COPYRIGHT 2010 This document and the information it contains are 3M property and may not be reproduced or further distributed without 3M permission, or used or disclosed other than for 3M authorized purposes. All rights reserved.		
THIRD ANGLE PROJECTION	INTERPRET PER ASME Y14.5 - 1994	MILLIMETERS		TITLE		
		0 ±		3M SHROUDED BOARD MOUNT HEADER 2 MM X 2 MM PITCH 159 SERIES		
MAX SURFACE ROUGHNESS	ALL SURFACES	.0 ±		CAGE NUMBER	DRAWING NO.	REV.
125	<input checked="" type="checkbox"/> MARKED ONLY	.00 ± 0.13		D78-5100-2359-7	D78-5100-2359-7	D
		.000 ±		MODEL	DET	SHT 5 OF 5
		ANGLES ±1°				

METRIC [ENGLISH]

DRAWING NUMBER 78-5100-2359-7

REVISION

Компания «Океан Электроники» предлагает заключение долгосрочных отношений при поставках импортных электронных компонентов на взаимовыгодных условиях!

Наши преимущества:

- Поставка оригинальных импортных электронных компонентов напрямую с производств Америки, Европы и Азии, а так же с крупнейших складов мира;
- Широкая линейка поставок активных и пассивных импортных электронных компонентов (более 30 млн. наименований);
- Поставка сложных, дефицитных, либо снятых с производства позиций;
- Оперативные сроки поставки под заказ (от 5 рабочих дней);
- Экспресс доставка в любую точку России;
- Помощь Конструкторского Отдела и консультации квалифицированных инженеров;
- Техническая поддержка проекта, помощь в подборе аналогов, поставка прототипов;
- Поставка электронных компонентов под контролем ВП;
- Система менеджмента качества сертифицирована по Международному стандарту ISO 9001;
- При необходимости вся продукция военного и аэрокосмического назначения проходит испытания и сертификацию в лаборатории (по согласованию с заказчиком);
- Поставка специализированных компонентов военного и аэрокосмического уровня качества (Xilinx, Altera, Analog Devices, Intersil, Interpoint, Microsemi, Actel, Aeroflex, Peregrine, VPT, Syfer, Eurofarad, Texas Instruments, MS Kennedy, Miteq, Cobham, E2V, MA-COM, Hittite, Mini-Circuits, General Dynamics и др.);

Компания «Океан Электроники» является официальным дистрибьютором и эксклюзивным представителем в России одного из крупнейших производителей разъемов военного и аэрокосмического назначения «**JONHON**», а так же официальным дистрибьютором и эксклюзивным представителем в России производителя высокотехнологичных и надежных решений для передачи СВЧ сигналов «**FORSTAR**».



JONHON

«**JONHON**» (основан в 1970 г.)

Разъемы специального, военного и аэрокосмического назначения:

(Применяются в военной, авиационной, аэрокосмической, морской, железнодорожной, горно- и нефтедобывающей отраслях промышленности)

«**FORSTAR**» (основан в 1998 г.)

ВЧ соединители, коаксиальные кабели,
кабельные сборки и микроволновые компоненты:

(Применяются в телекоммуникациях гражданского и специального назначения, в средствах связи, РЛС, а так же военной, авиационной и аэрокосмической отраслях промышленности).



Телефон: 8 (812) 309-75-97 (многоканальный)

Факс: 8 (812) 320-03-32

Электронная почта: ocean@oceanchips.ru

Web: <http://oceanchips.ru/>

Адрес: 198099, г. Санкт-Петербург, ул. Калинина, д. 2, корп. 4, лит. А