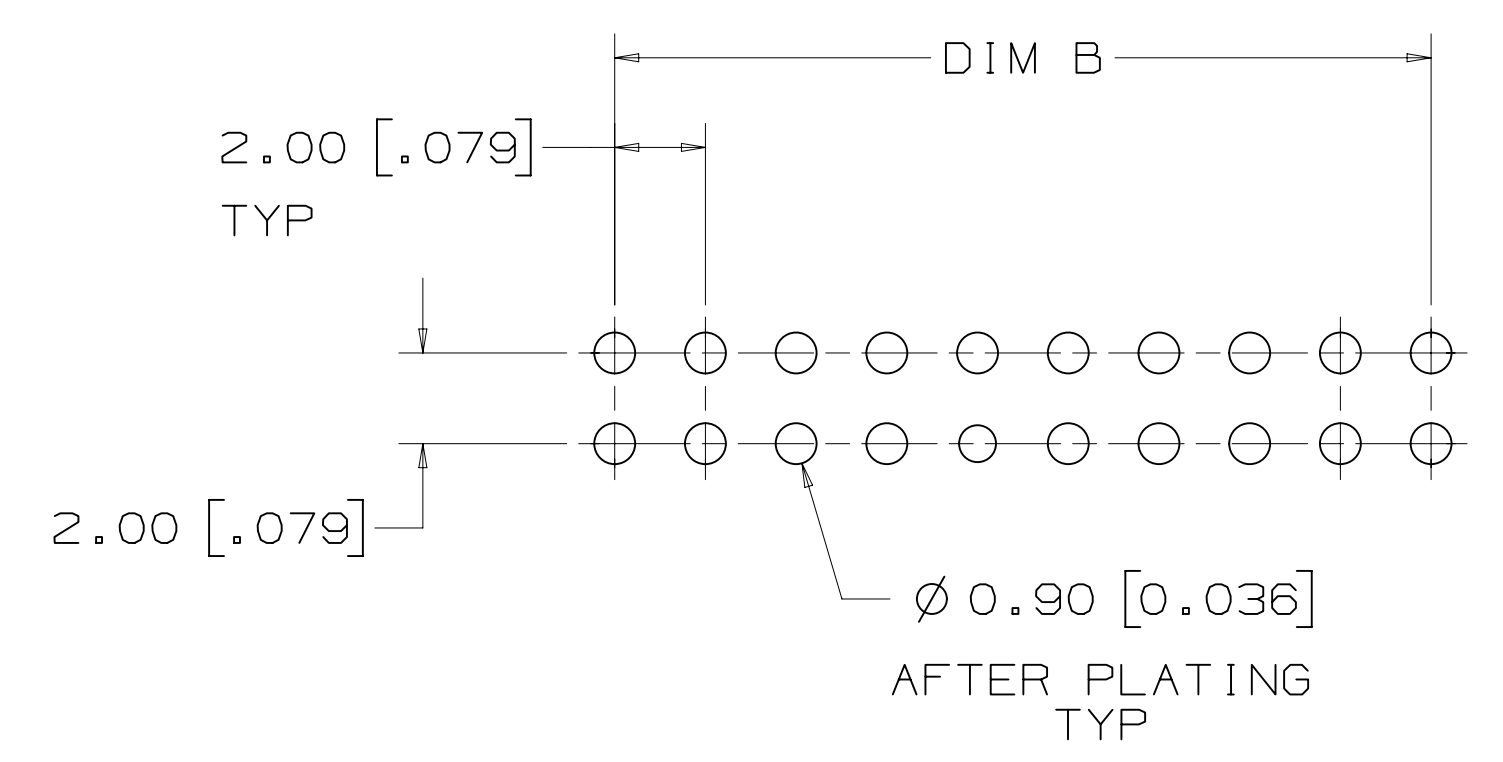
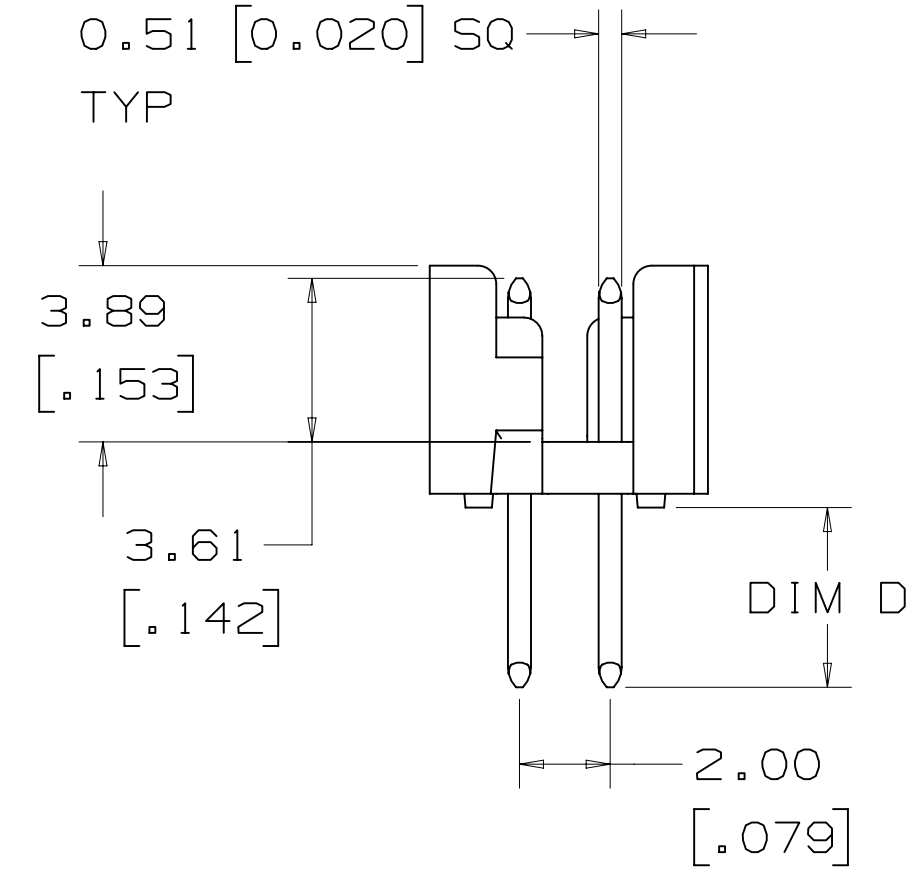
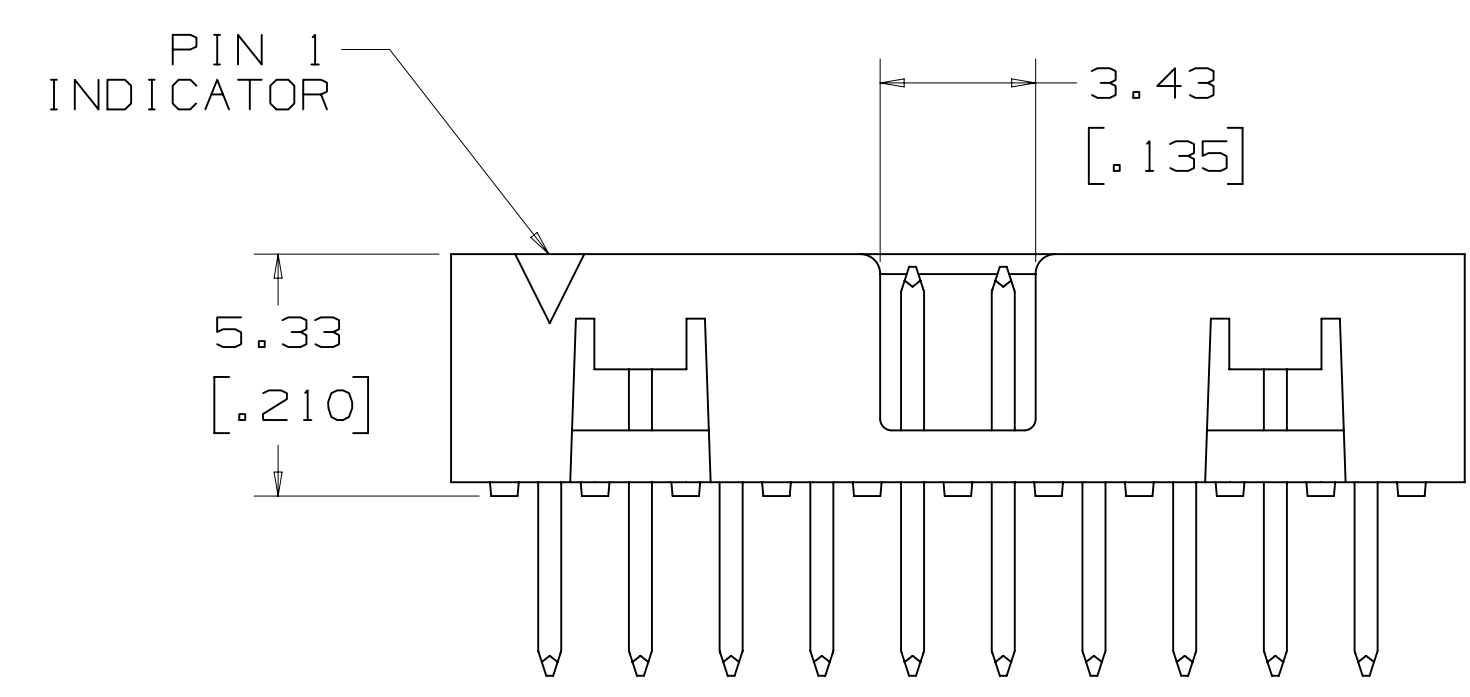
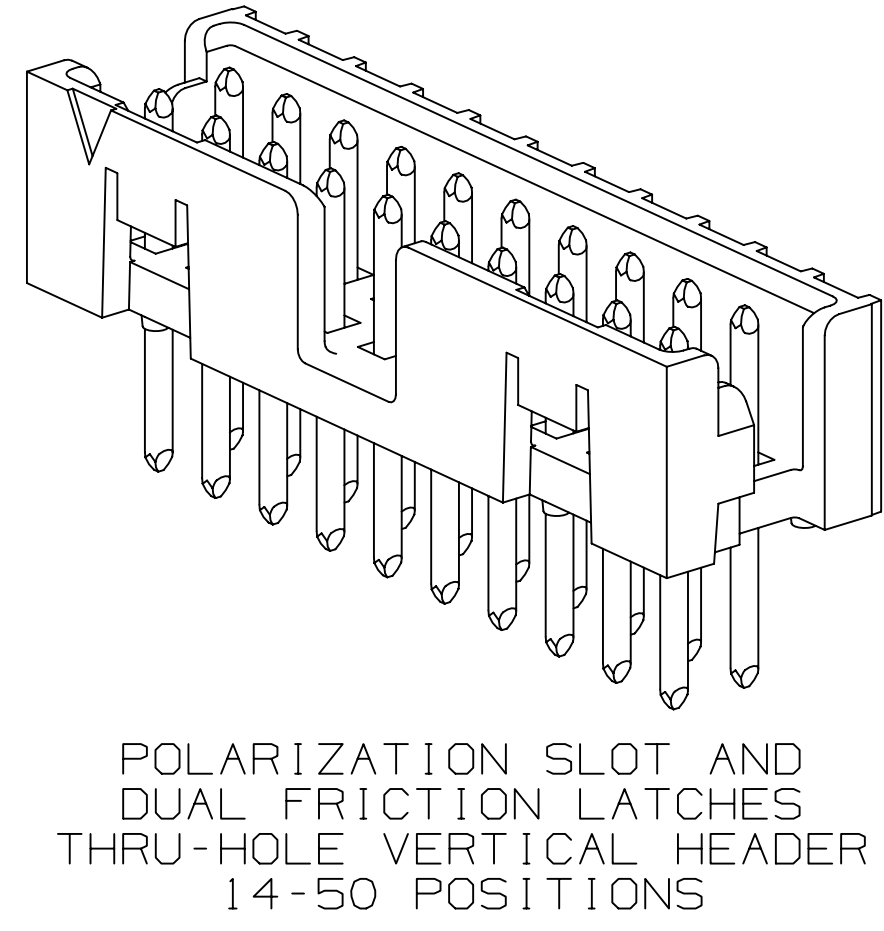
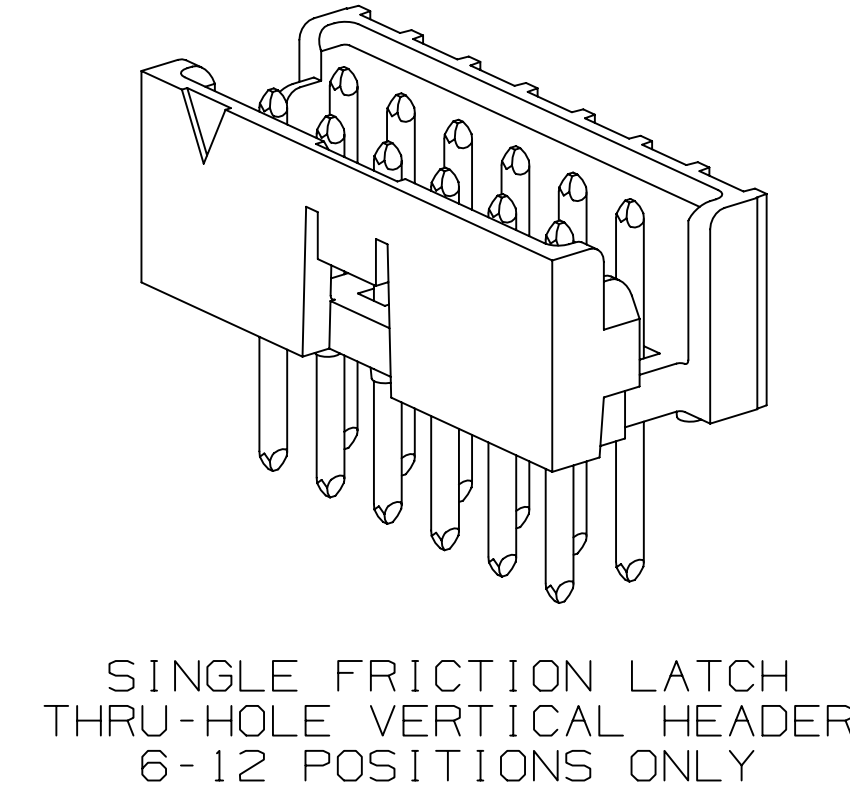
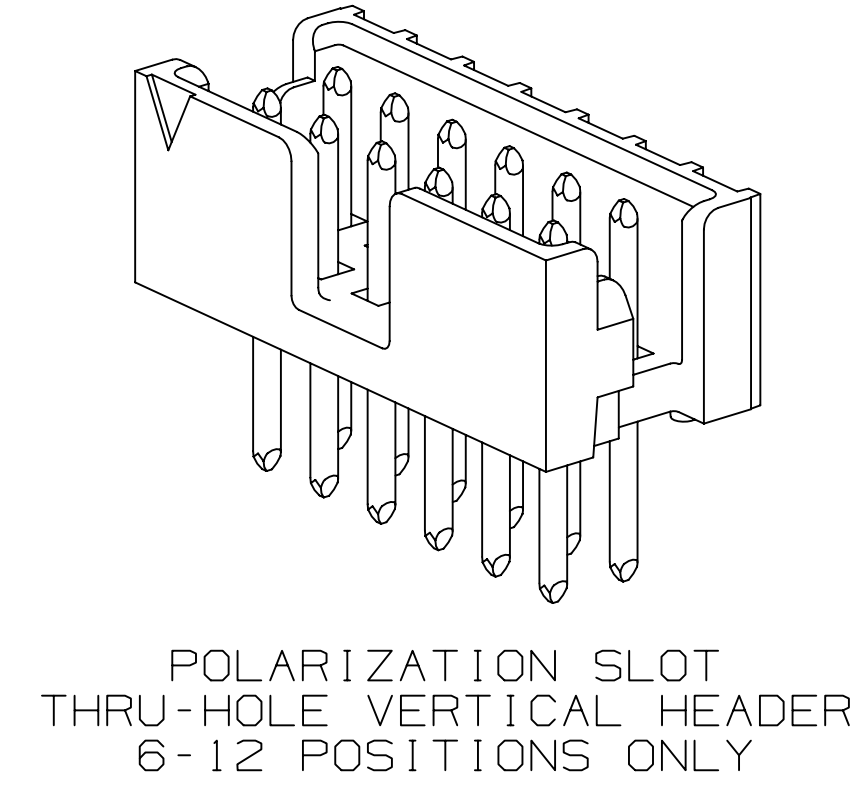
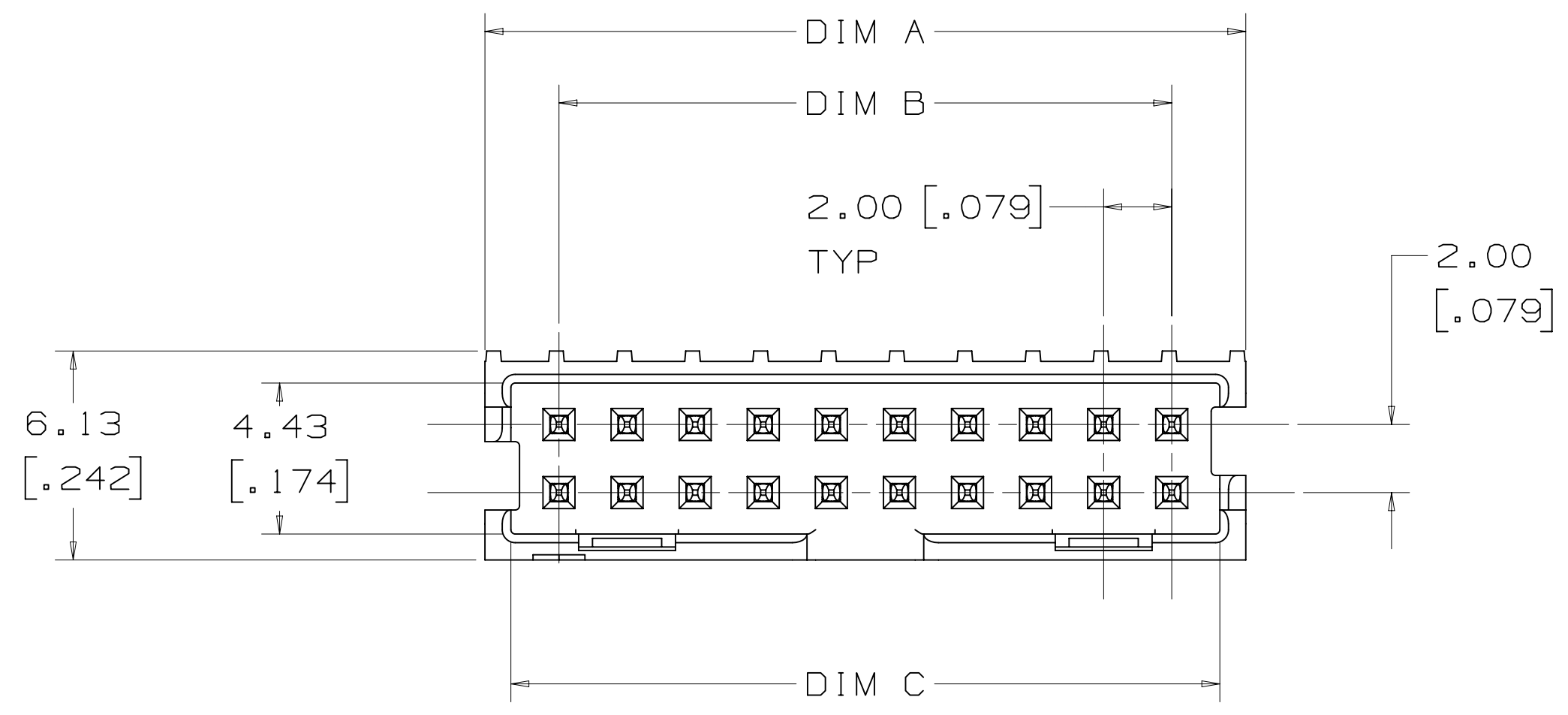


3M™ Shrouded Board Mount Header 2 mm X 2 mm Pitch 159 Series, Standard Length [3] and Extended Length [4]



RECOMMENDED PCB HOLE PATTERN TOLERANCE = 0.05 [.002]

| PERFORMANCE [5] [7] | |
|-----------------------------|--|
| CURRENT: | 1.25 A, ALL LINES ENERGIZED 2.75 A, 6 LINES ENERGIZED 4.75 A, 1 LINE ENERGIZED |
| INSULATION RESISTANCE: | >1 X 10 ⁹ OHMS AT 500 VDC |
| WITHSTANDING VOLTAGE: | 500 VACrms AT SEA LEVEL |
| TEMPERATURE RATING: | -55° C TO +105° C |
| SOLDER PROCESS TEMPERATURE: | 260° C MAX PER IPC/JEDEC J-STD-020D |

REFERENCE TABLE ON SHEET 5 FOR AVAILABLE TAIL POSITIONS AND SOLDER TAIL LENGTHS

METRIC [ENGLISH]

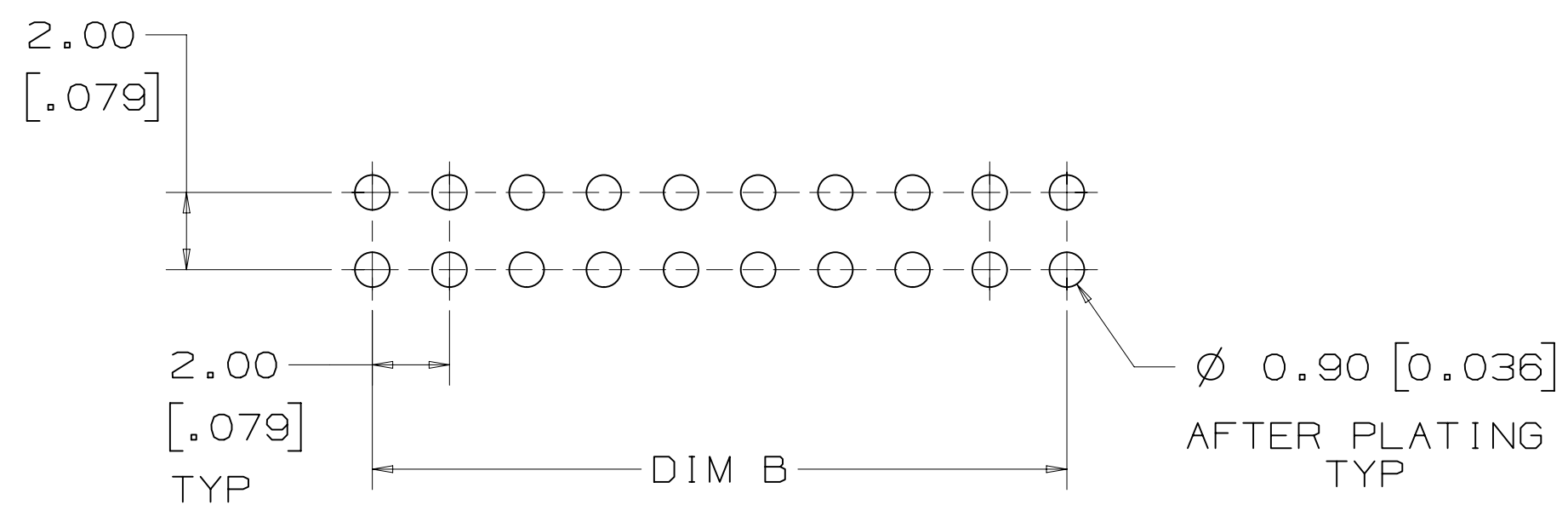
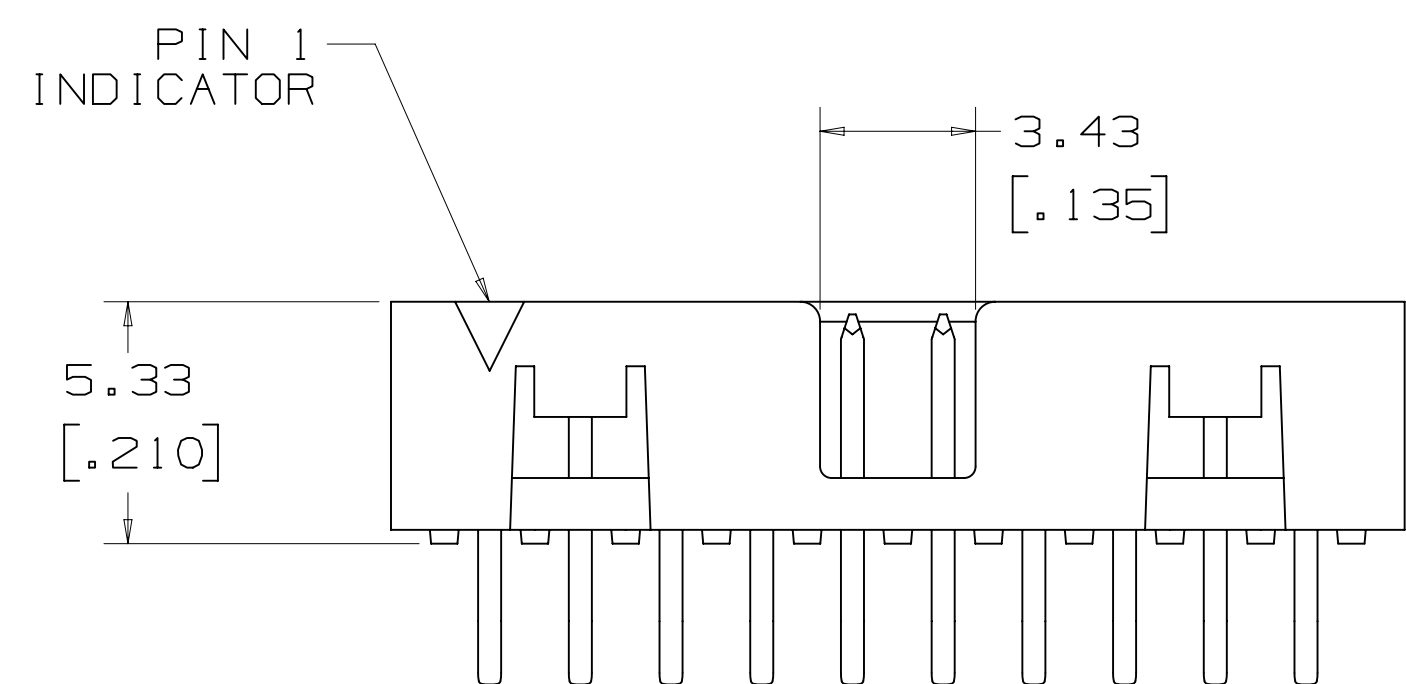
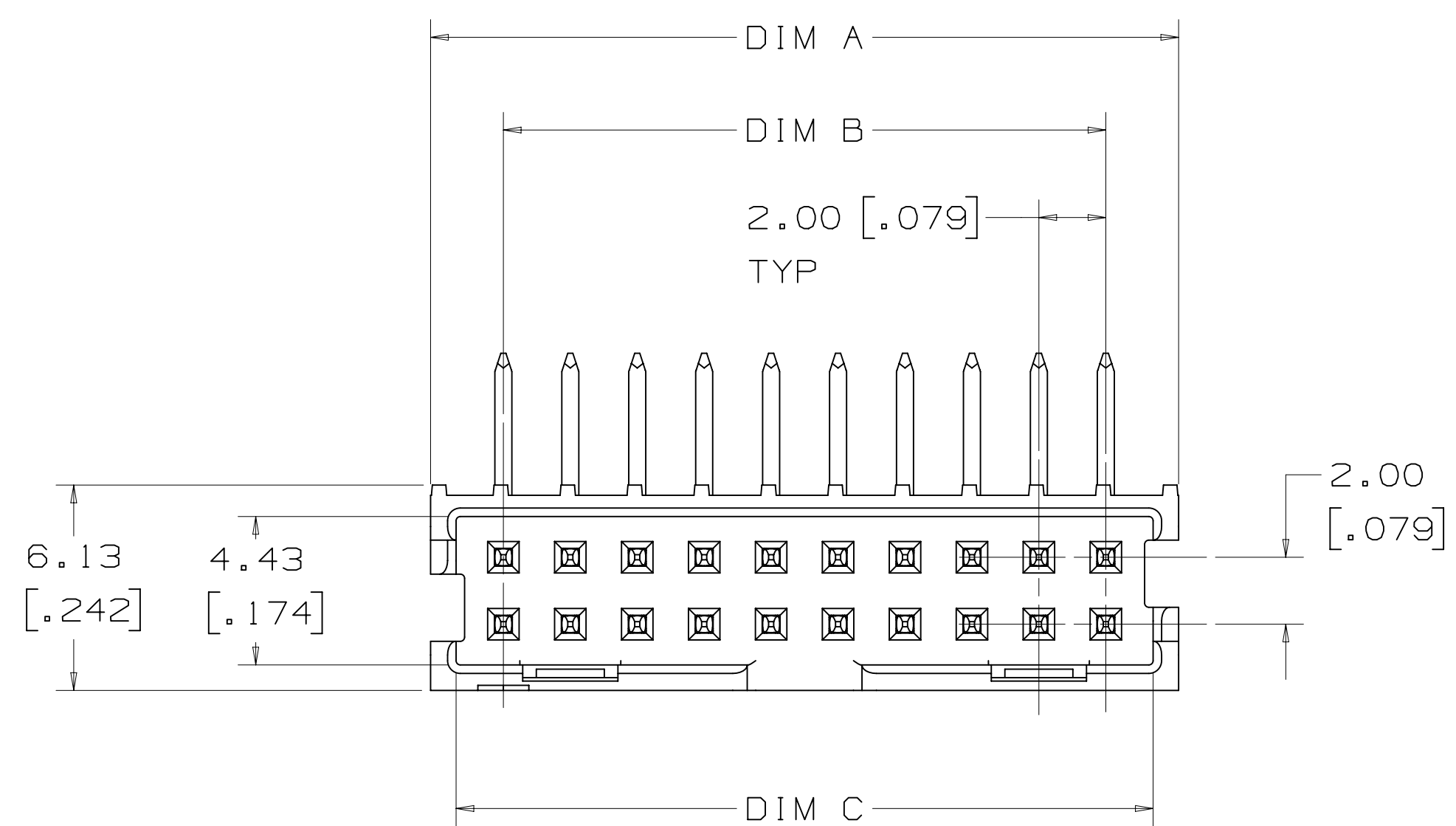
- NOTES
- MATERIAL:**
BODY: HIGH TEMPERATURE GLASS FILLED LCP, BLACK UL94V-0
CONTACTS: COPPER ALLOY
 - PLATING:**
2.03-3.81 µm [80-150 µin] NICKEL UNDERPLATE.
0.38 µm [15 µin] OR 0.76 µm [30 µin] AVG GOLD ON WIPING AREA.
5.08 µm [200 µin] MIN MATTE TIN ON SOLDER TAILS.
 - STANDARD LENGTH HEADERS** MATE WITH 3M™ SOCKETS, 158 SERIES (REFERENCE 3M DRAWING 78-5100-2358-9).
 - EXTENDED LENGTH HEADERS** MATE WITH 3M™ SOCKETS, 870 SERIES.
 - FOR PRODUCT SPECIFICATIONS AND WARRANTY INFORMATION SEE 3M 78-5102-0078-1.
 - SEE THE REGULATORY INFORMATION APPENDIX (RIA) IN THE "ROHS COMPLIANCE" SECTION OF WWW.3MCONNECTOR.COM FOR COMPLIANCE INFORMATION (RIA E1 & C1 APPLY).
 - IN THE EVENT OF CONFLICT BETWEEN THIS DATA AND THAT CONTAINED IN THE PRODUCT SPECIFICATION, THE PRODUCT SPECIFICATION TAKES PRECEDENT.

| REV | ECO | ISSUE DATE AND DESCRIPTION | DRFT | CHKD |
|-----|-------|--|------|------|
| D | 41488 | JUN 20,2012 REVISED CURRENT RATING IN PERFORMANCE TABLE | LDS | SAN |
| C | 39876 | APR 18,2012 REMOVED 32 POS FROM TABLE ON SHT 5 | LDS | SAN |
| B | 34080 | MAY 18,2011 ADDED 6.19 DIM ON SHT 2; REVISED & MOVED TABLE TO SHT 5 | LDS | SF |
| A | 30741 | OCT 28,2010 INITIAL RELEASE | LDS | SF |

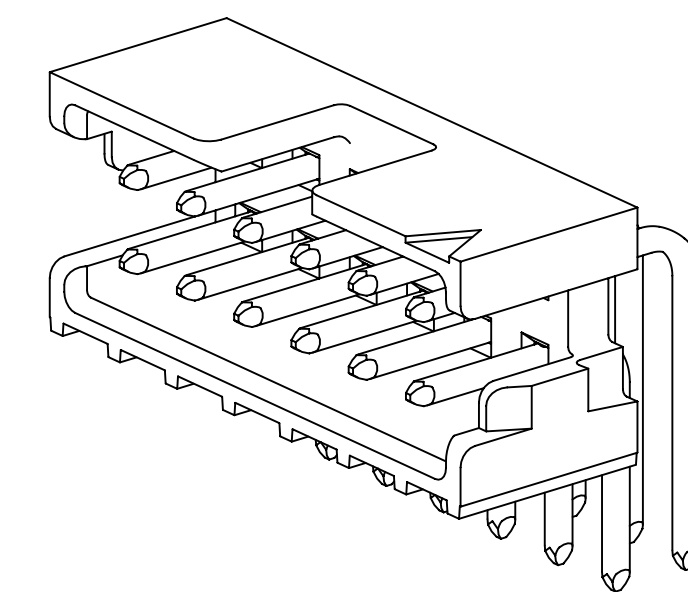
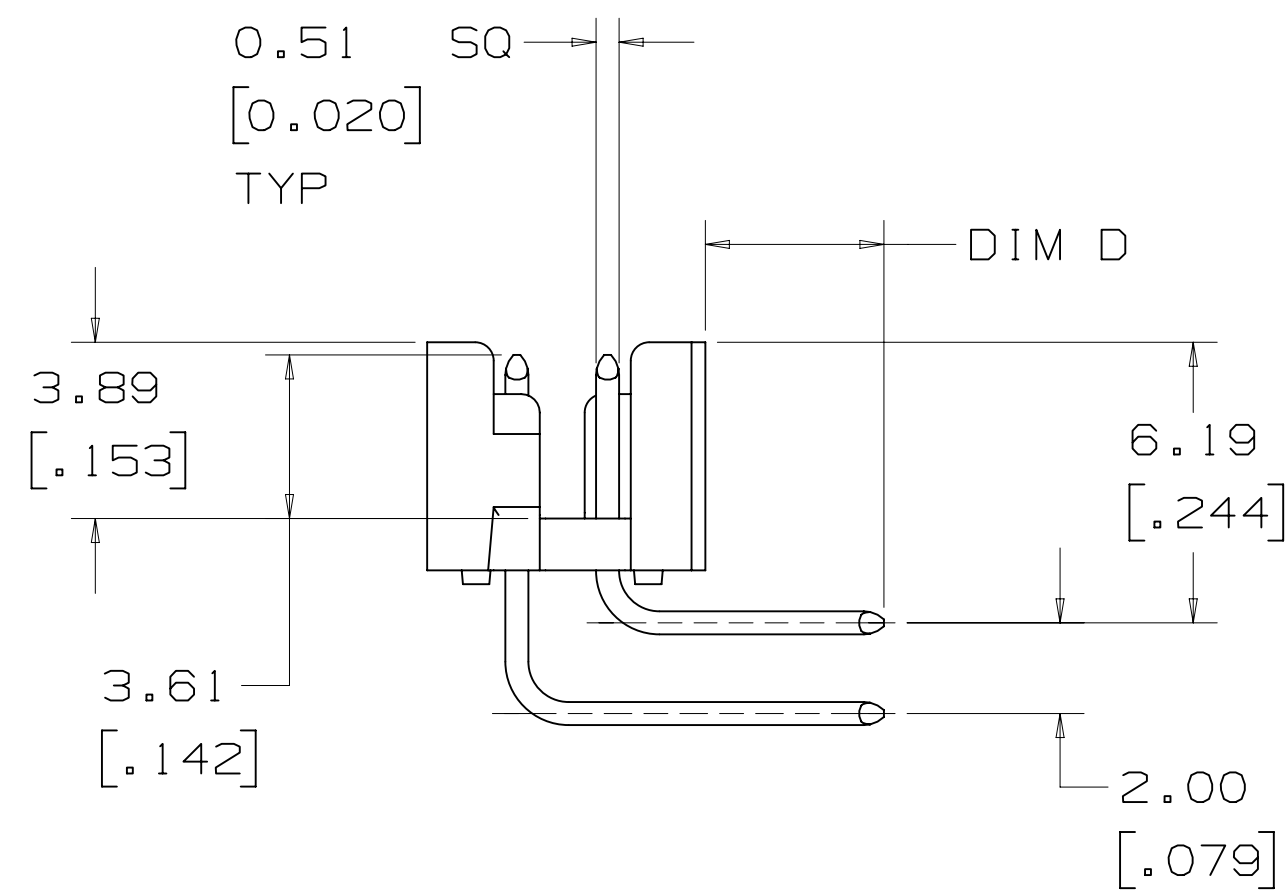
| | | | | | | |
|--|---------------|---|-----|--|------|------|
| DESIGN REFERENCE | NEXT ASSEMBLY | REV | ECO | ISSUE DATE AND DESCRIPTION | DRFT | CHKD |
| | | | | | | |
| DO NOT SCALE DRAWING THIRD ANGLE PROJECTION INTERPRET PER ASME Y14.5 - 1994 MAX SURFACE ROUGHNESS 125 / ALL SURFACES / MARKED ONLY ANGLES ±1° | | SCALE 6-1 TOLERANCES EXCEPT AS NOTED INCHES .00 .000 .0000 MILLIMETERS 0 .00 ± 0.13 .000 ± | | © 3M COPYRIGT 2010 This document and the information it contains are 3M property and may not be reproduced or further distributed without 3M permission, or used or disclosed other than for 3M authorized purposes. All rights reserved. TITLE 3M SHROUDED BOARD MOUNT HEADER 2 MM X 2 MM PITCH 159 SERIES CAGE NUMBER D78-5100-2359-7 REV. D MODEL SHT 1 OF 5 | | |

78-5100-2359-7 DRAWING NUMBER

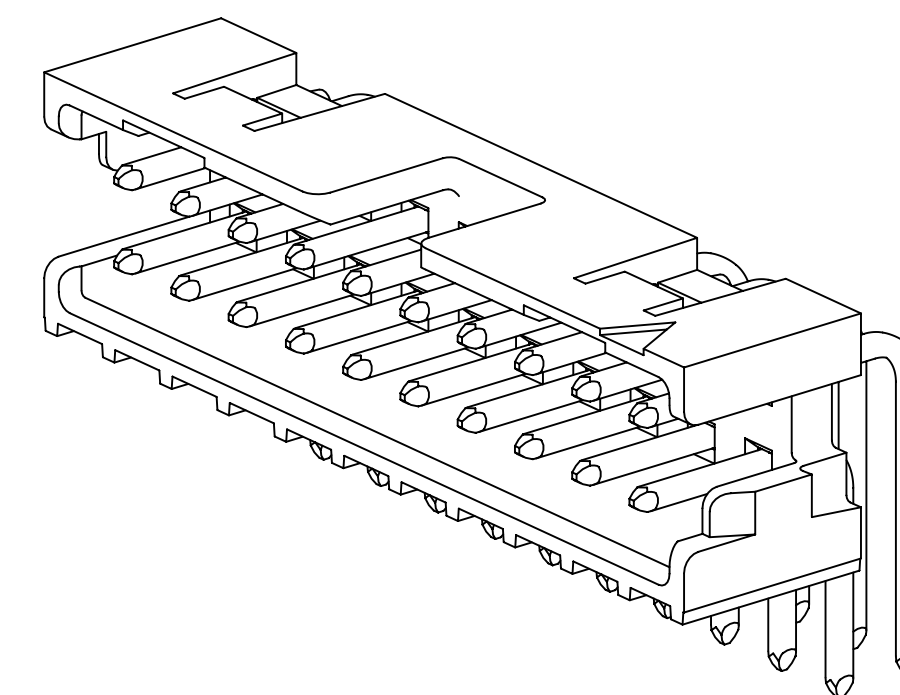
3M™ Shrouded Board Mount Header 2 mm X 2 mm Pitch 159 Series, Standard Length 3 and Extended Length 4



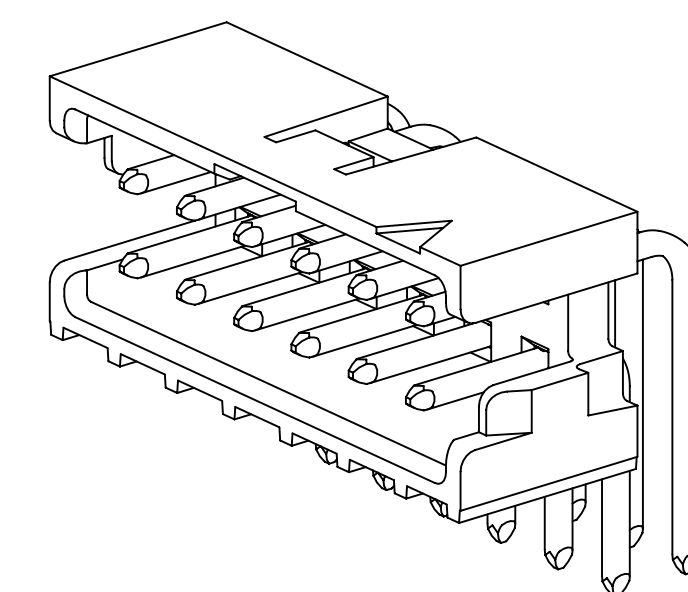
RECOMMENDED PCB HOLE PATTERN
TOLERANCE = ±0.05 [.002]



POLARIZATION SLOT
RIGHT ANGLE HEADER
6-12 POSITIONS ONLY



POLARIZATION SLOT AND
DUAL FRICTION LATCHES
RIGHT ANGLE HEADER
14-50 POSITIONS



SINGLE FRICTION LATCH
RIGHT ANGLE HEADER
6-12 POSITIONS ONLY

REFERENCE TABLE ON SHEET 5
FOR AVAILABLE POSITIONS AND
SOLDER TAIL LENGTHS

METRIC [ENGLISH]

| REV | ECO | ISSUE DATE AND DESCRIPTION | DRFT | CHKD |
|-----|-------|---|------|------|
| D | 41488 | JUN 20, 2012 REVISED CURRENT RATING IN PERFORMANCE TABLE | LDS | SAN |
| C | 39876 | APR 18, 2012 REMOVED 32 POS FROM TABLE ON SHT 5 | LDS | SAN |
| B | 34080 | MAY 18, 2011 ADDED 6.19 DIM ON SHT 2; REVISED & MOVED TABLE TO SHT 5 | LDS | SF |
| A | 30741 | OCT 28, 2010 INITIAL RELEASE | LDS | SF |

| DESIGN REFERENCE | NEXT ASSEMBLY | REV | ECO | ISSUE DATE AND DESCRIPTION | DRFT | CHKD |
|--|---------------|--|-----|---|------|------|
| | | | | | | |
| DIVISION: 4 DIVISION CODE: | | DRFT: L. SCHMIDT DATE: JUL 29, 2010 MFG: | | | | |
| DO NOT SCALE DRAWING | | SCALE: $\frac{4}{1}$ | | TOLERANCES EXCEPT AS NOTED | | |
| THIRD ANGLE PROJECTION | | INCHES: $\frac{0}{1000} \pm$ $\frac{0}{1000} \pm$ $\frac{0}{1000} \pm$ | | MILLIMETERS: 0 ± .00 ± .00 ± 0.13 .000 ± | | |
| INTERPRET PER ASME Y14.5 - 1994 | | MAX SURFACE ROUGHNESS: 125 | | CAGE NUMBER: D 78-5100-2359-7 | | |
| <input type="checkbox"/> ALL SURFACES <input checked="" type="checkbox"/> MARKED ONLY | | ANGLER: ±1° | | DRAWING NO.: D 78-5100-2359-7 REV. D | | |

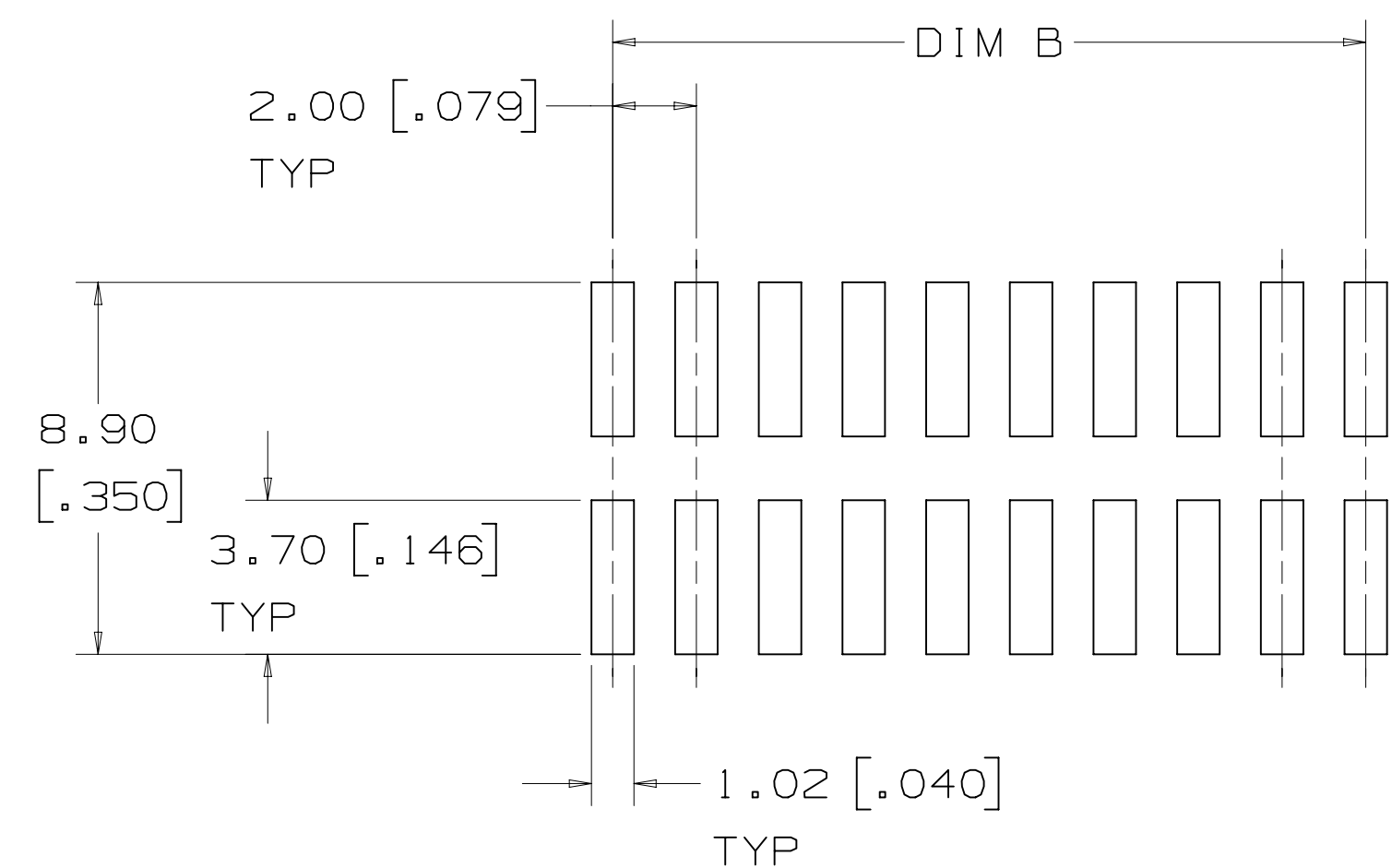
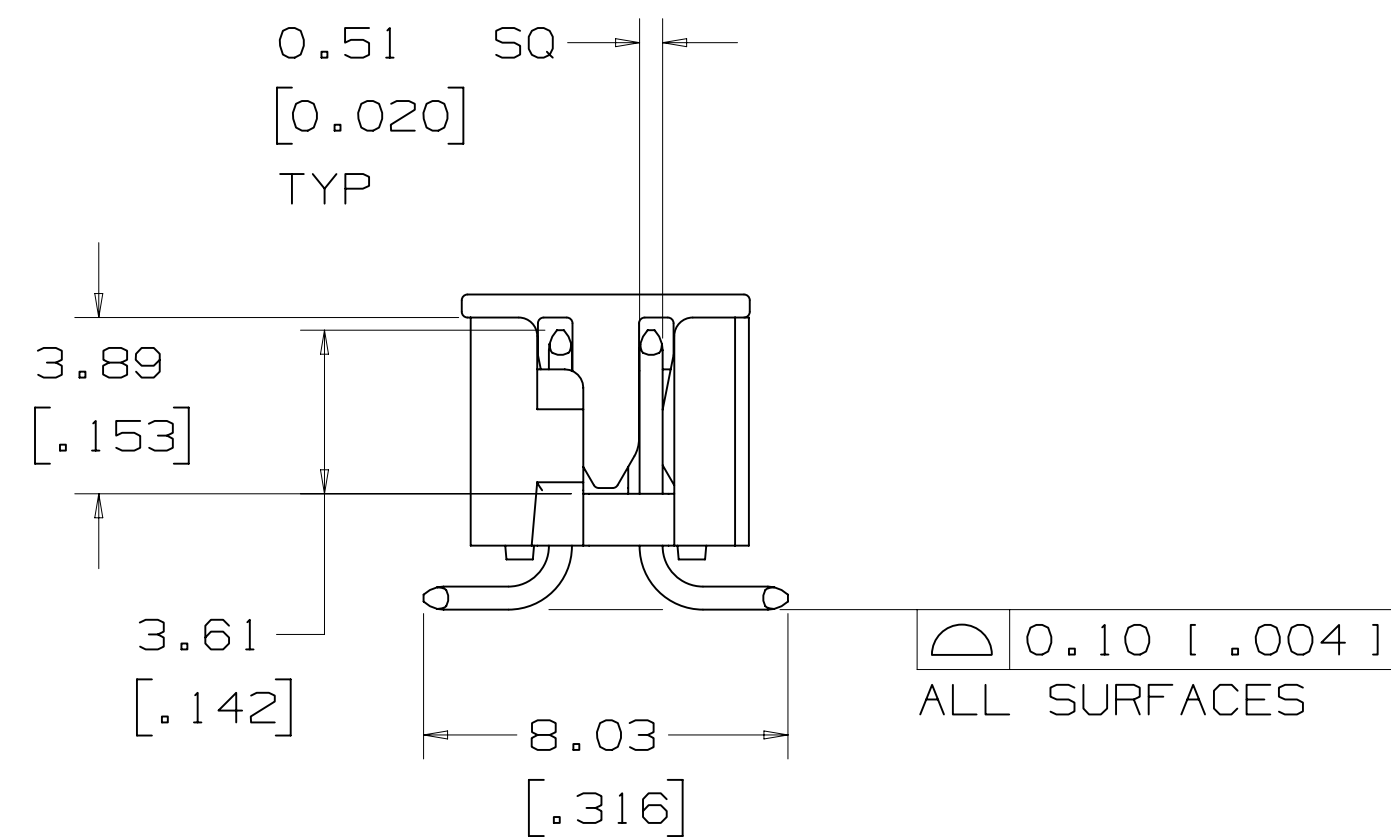
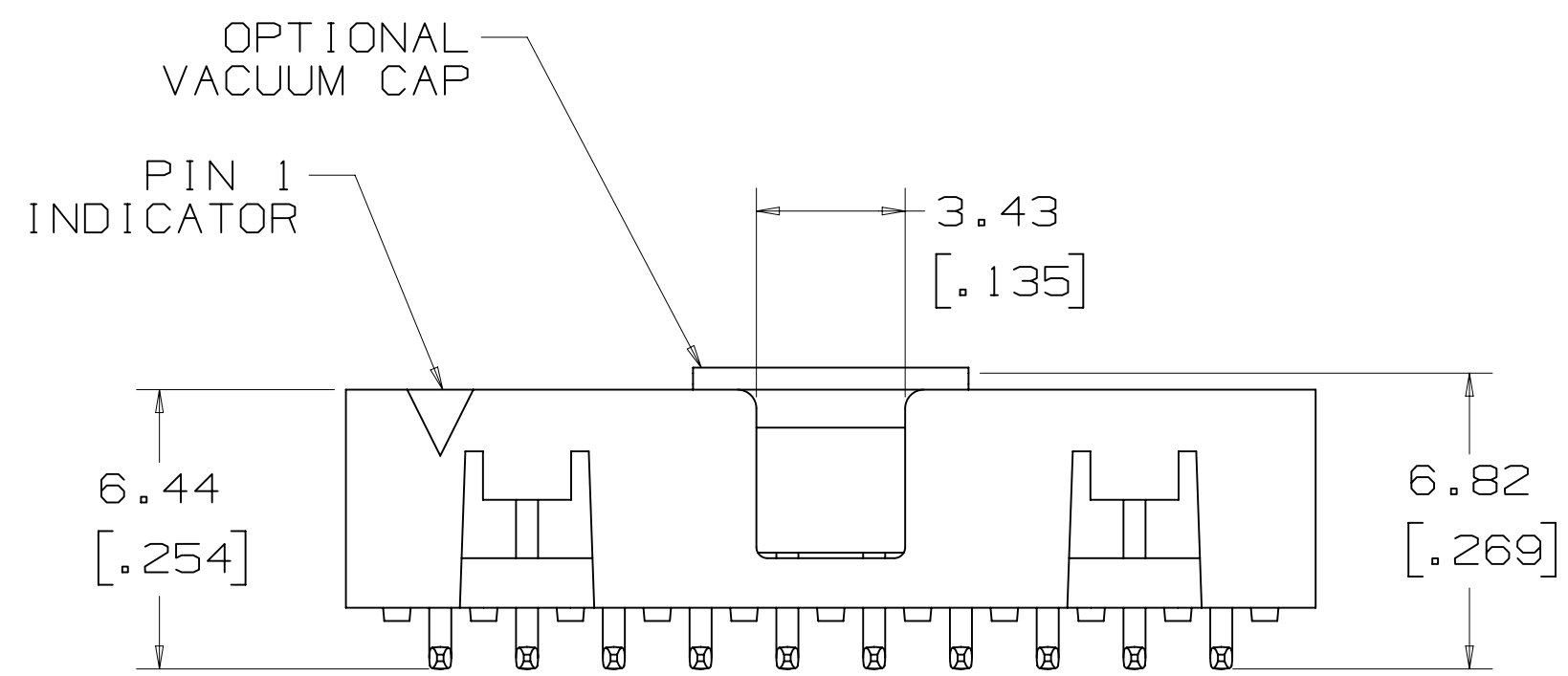
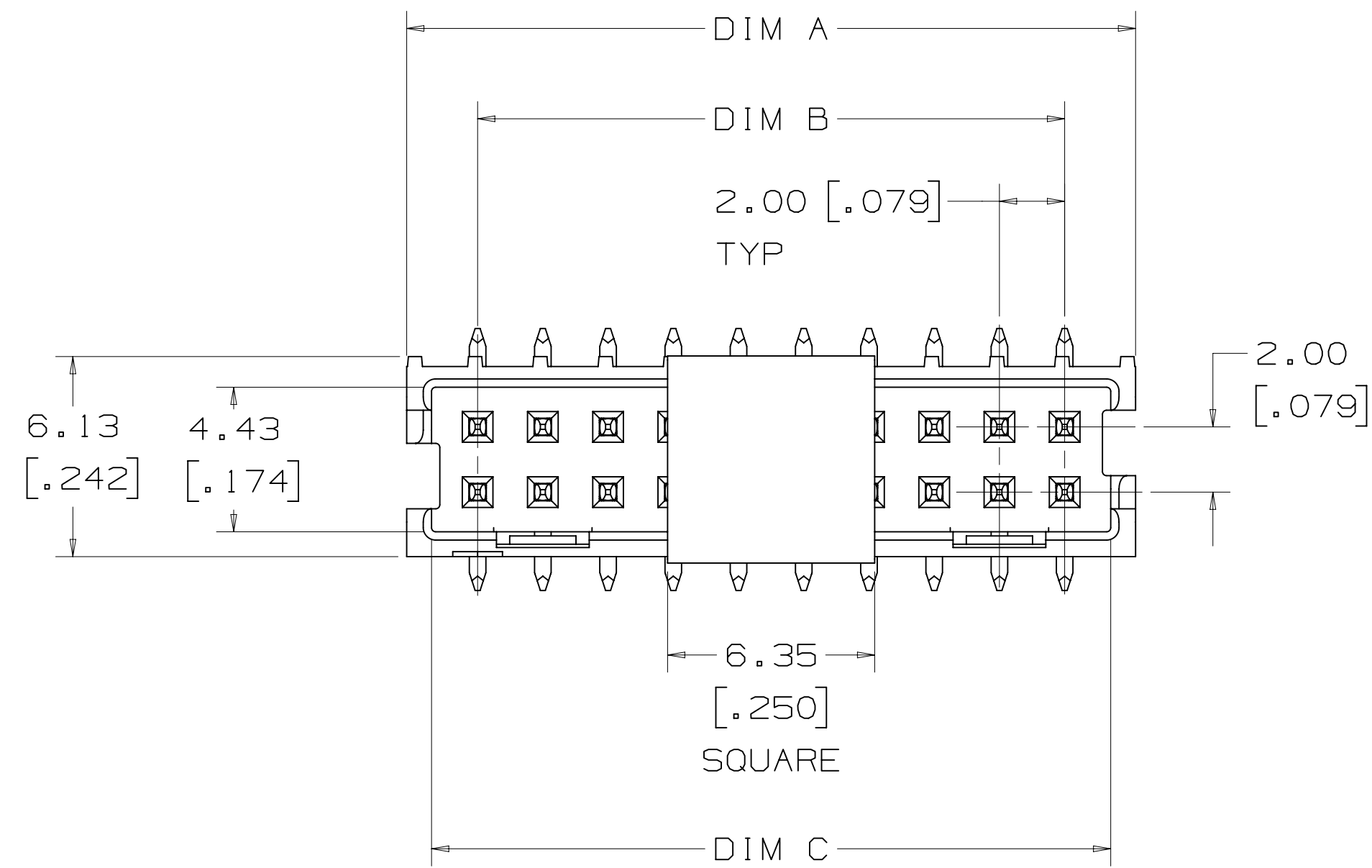
© 3M COPYRIGHT 2010
 This document and the information it contains are 3M property and may not be reproduced or further distributed without 3M permission, or used or disclosed other than for 3M authorized purposes. All rights reserved.

3M SHROUDED BOARD MOUNT HEADER 2 MM X 2 MM PITCH 159 SERIES

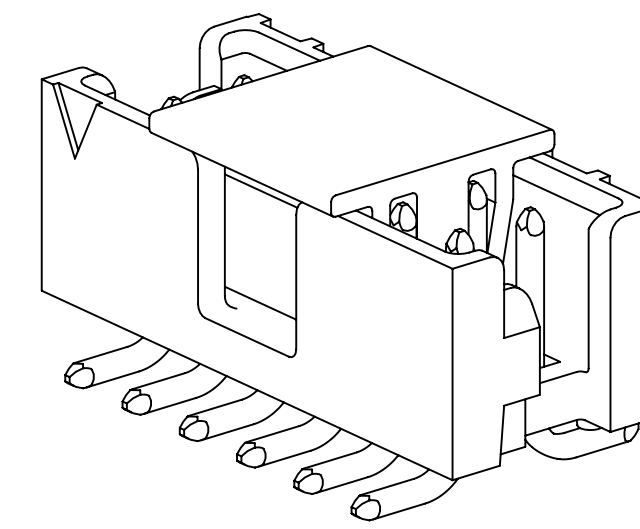
CAGE NUMBER: **D** 78-5100-2359-7 REV. **D**

MODEL: YES NO SHT 2 OF 5

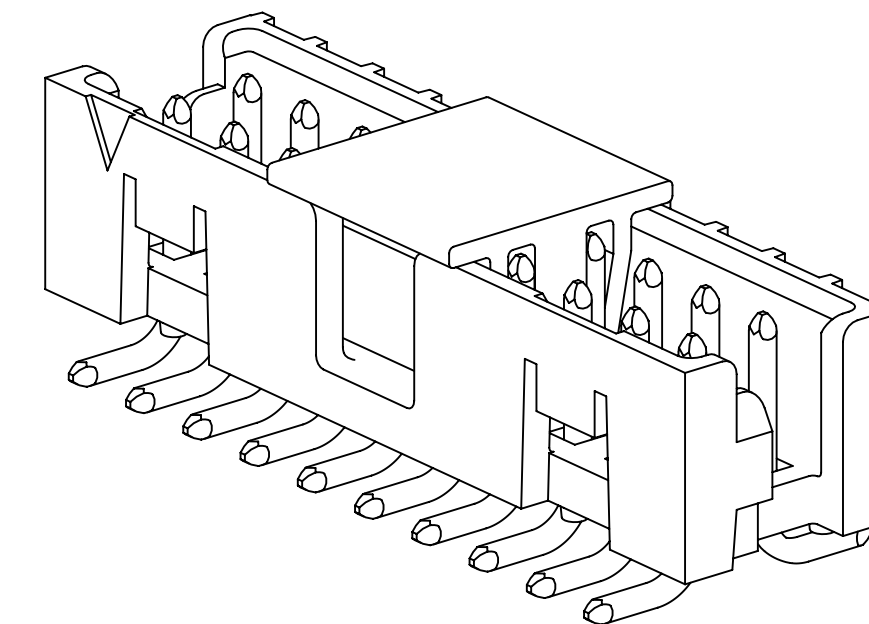
3M™ Shrouded Board Mount Header 2 mm X 2 mm Pitch 159 Series, Standard Length [3] and Extended Length [4]



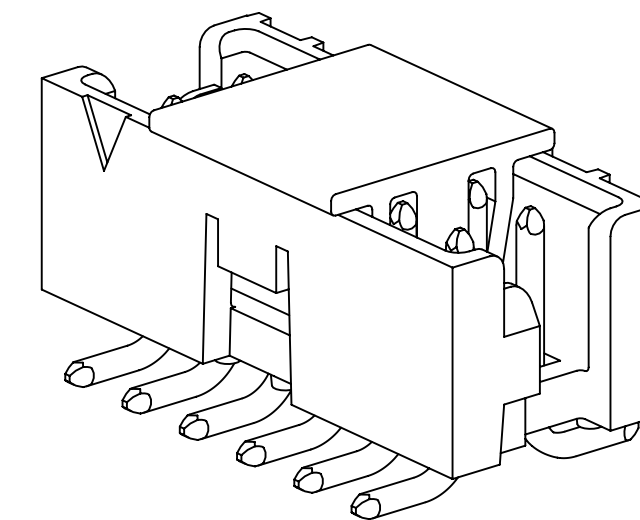
RECOMMENDED PCB PAD PATTERN
TOLERANCE = ±0.08 [.003]



POLARIZATION SLOT
SURFACE MOUNT HEADER
6-12 POSITIONS ONLY



POLARIZATION SLOT AND
DUAL FRICTION LATCHES
SURFACE MOUNT HEADER
14-50 POSITIONS



SINGLE FRICTION LATCH
SURFACE MOUNT HEADER
6-12 POSITIONS ONLY

REFERENCE TABLE ON SHEET 5
FOR AVAILABLE POSITIONS

METRIC (ENGLISH)

| DESIGN REFERENCE | NEXT ASSEMBLY | REV | ECO | ISSUE DATE AND DESCRIPTION | DRFT | CHKD |
|------------------|---------------|-----|-------|---|------|------|
| | | D | 41488 | JUN 20, 2012 REVISED CURRENT RATING IN PERFORMANCE TABLE | LDS | SAN |
| | | C | 39876 | APR 18, 2012 REMOVED 32 POS FROM TABLE ON SHT 5 | LDS | SAN |
| | | B | 34080 | MAY 18, 2011 ADDED 6.19 DIM ON SHT 2; REVISED & MOVED TABLE TO SHT 5 | LDS | SF |
| | | A | 30741 | OCT 28, 2010 INITIAL RELEASE | LDS | SF |

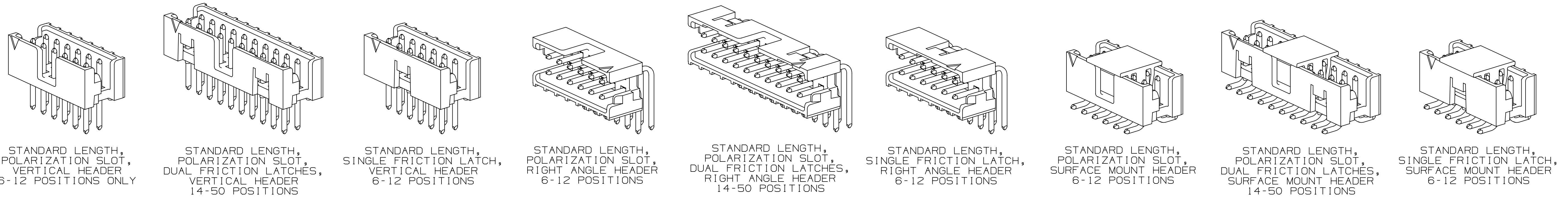
| DESIGNER | DATE | APPV | DATE |
|------------|--------------|-----------|--------------|
| L. SCHMIDT | JUL 29, 2010 | S FELDMAN | AUG 09, 2010 |

| | | |
|---------------------------------|-------------|----------------------------|
| DO NOT SCALE DRAWING | SCALE 4/1 | TOLERANCES EXCEPT AS NOTED |
| THIRD ANGLE PROJECTION | INCHES | MILLIMETERS |
| INTERPRET PER ASME Y14.5 - 1994 | 0 ± | 0 ± |
| MAX SURFACE ROUGHNESS | 0.00 ± 0.13 | 0.00 ± |
| 125 / ALL SURFACES | | |
| ✓ MARKED ONLY | ANGLES ±1° | |

| | | |
|---|------|---|
| | | © 3M COPYRIGHT 2010 This document and the information it contains are 3M property and may not be reproduced or further distributed without 3M permission, or used or disclosed other than for 3M authorized purposes. All rights reserved. |
| TITLE 3M SHROUDED BOARD MOUNT HEADER 2 MM X 2 MM PITCH 159 SERIES | | |
| CAGE NUMBER | SIZE | DRAWING NO. |
| D | | 78-5100-2359-7 |
| REV. | | D |
| MODEL DET. | | SHT 3 OF 5 |

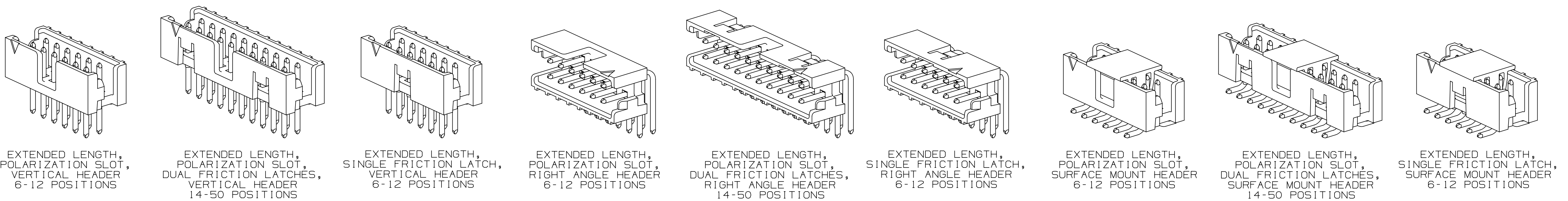
3M™ Shrouded Board Mount Header 2 mm X 2 mm Pitch 159 Series, Standard Length 3

STANDARD LENGTH HEADERS ARE AVAILABLE



3M™ Shrouded Board Mount Header 2 mm X 2 mm Pitch 159 Series, Extended Length 4

CALL 3M INTERCONNECT SOLUTIONS AT 800-225-5373 FOR AVAILABILITY OF EXTENDED LENGTH HEADERS



ORDERING INFORMATION

TIER 1 - BEST
 1591XX-XXXX

TIER 1 = BEST 0.76 μm [30 μin] GOLD

CONTACT TAIL LENGTH
 2 = 2.84 mm [.112]
 3 = 3.94 mm [.155]

POLARIZATION/LATCHING
 0 = POLARIZATION SLOT AND DUAL FRICTION LATCHES (14-50 POSITIONS ONLY)
 1 = POLARIZATION SLOT (6-12 POSITIONS ONLY)
 2 = SINGLE FRICTION LATCH (6-12 POSITIONS ONLY)

PART CONFIGURATION
 2 = VERTICAL SMT
 5 = RIGHT ANGLE THRU HOLE
 6 = VERTICAL THRU HOLE

BODY LENGTH
 0 = STANDARD LENGTH (MATES TO 158 SERIES)
 1 = EXTENDED LENGTH (MATES TO 870 SERIES)

POSITION COUNT (SEE TABLE)

TIER 2 - BETTER
 1592XX-XXXX

TIER 2 = BETTER 0.38 μm [15 μin] GOLD

CONTACT TAIL LENGTH
 2 = 2.84 mm [.112]
 3 = 3.94 mm [.155]

POLARIZATION/LATCHING
 0 = POLARIZATION SLOT AND DUAL FRICTION LATCHES (14-50 POSITIONS ONLY)
 1 = POLARIZATION SLOT (6-12 POSITIONS ONLY)
 2 = SINGLE FRICTION LATCH (6-12 POSITIONS ONLY)

PART CONFIGURATION
 2 = VERTICAL SMT
 5 = RIGHT ANGLE THRU HOLE
 6 = VERTICAL THRU HOLE

BODY LENGTH
 0 = STANDARD LENGTH (MATES TO 158 SERIES)
 1 = EXTENDED LENGTH (MATES TO 870 SERIES)

POSITION COUNT (SEE TABLE)

METRIC (ENGLISH)

| | | | | | | |
|---------------------------------|---------------|----------------------------|------------------|--|--------------|------|
| DESIGN REFERENCE | NEXT ASSEMBLY | REV | ECO | ISSUE DATE AND DESCRIPTION | DRFT | CHKD |
| 1591XX-XXXX | | L. SCHMIDT | | JUL 29, 2010 | | |
| DIVISION | DIVISION CODE | APPR | DATE | MFG | DATE | |
| | | S FELDMAN | | | AUG 09, 2010 | |
| DO NOT SCALE DRAWING | SCALE 4/1 | TOLERANCES EXCEPT AS NOTED | | | | |
| THIRD ANGLE PROJECTION | | INCHES | | .00 ± .000 ± .0000 ± | | |
| INTERPRET PER ASME Y14.5 - 1994 | | MILLIMETERS | | 0 ± .00 ± 0.13 .000 ± | | |
| MAX SURFACE ROUGHNESS | 125 | ALL SURFACES | | <input type="checkbox"/> ALL SURFACES <input checked="" type="checkbox"/> MARKED ONLY | | |
| CAGE NUMBER | | SIZE | DRAWING NO. | REV. | | |
| D 125 | | | D 78-5100-2359-7 | D | | |
| MODEL | | SHT | | 4 OF 5 | | |

| | | | |
|---|--------------|-----|-----|
| D 41488 | JUN 20, 2012 | LDS | SAN |
| REVISED CURRENT RATING IN PERFORMANCE TABLE | | | |
| C 39876 | APR 18, 2012 | LDS | SAN |
| REMOVED 32 POS FROM TABLE ON SHT 5 | | | |
| B 34080 | MAY 18, 2011 | LDS | SF |
| ADDED 6.19 DIM ON SHT 2; REVISED & MOVED TABLE TO SHT 5 | | | |
| A 30741 | OCT 28, 2010 | LDS | SF |
| INITIAL RELEASE | | | |

78-5100-2359-7

3M™ Shrouded Board Mount Header 2 mm X 2 mm Pitch 159 Series, Standard Length 3 and Extended Length 4

| SHROUDED BOX HEADER | | | | | | | |
|---------------------|-----------------|-----------------|-----------------|-----------------|-----------------|---------------|---------------|
| NUMBER OF POSITIONS | DIM A | | DIM B | DIM C | | DIM D | |
| | STANDARD | EXTENDED | | STANDARD | EXTENDED | | |
| 6 | 8.35 [.329] | 9.52 [.375] | 4.00 [.157] | 6.83 [.269] | 7.99 [.315] | 2.84 [.112] | 3.94 [.155] |
| 8 | 10.35 [.407] | 11.52 [.453] | 6.00 [.236] | 8.83 [.347] | 9.99 [.393] | 2.84 [.112] | 3.94 [.155] |
| 10 | 12.35 [.486] | 13.52 [.532] | 8.00 [.315] | 10.83 [.426] | 11.99 [.472] | 2.84 [.112] | 3.94 [.155] |
| 12 | 14.35 [.565] | 15.52 [.611] | 10.00 [.394] | 12.83 [.505] | 13.99 [.551] | 2.84 [.112] | 3.94 [.155] |
| 14 | 16.35 [.644] | 17.52 [.690] | 12.00 [.472] | 14.83 [.584] | 15.99 [.630] | 2.84 [.112] | 3.94 [.155] |
| 16 | 18.35 [.722] | 19.52 [.768] | 14.00 [.551] | 16.83 [.662] | 17.99 [.708] | 2.84 [.112] | 3.94 [.155] |
| 20 | 22.35 [.880] | 23.52 [.926] | 18.00 [.709] | 20.83 [.820] | 21.99 [.866] | 2.84 [.112] | 3.94 [.155] |
| 22 | 24.35 [.959] | 25.52 [1.005] | 20.00 [.787] | 22.83 [.899] | 23.99 [.945] | 2.84 [.112] | 3.94 [.155] |
| 24 | 26.35 [1.037] | 27.52 [1.083] | 22.00 [.866] | 24.83 [.977] | 25.99 [1.023] | 2.84 [.112] | 3.94 [.155] |
| 26 | 28.35 [1.116] | 29.52 [1.162] | 24.00 [.945] | 26.83 [1.056] | 27.99 [1.102] | 2.84 [.112] | 3.94 [.155] |
| 30 | 32.35 [1.274] | 33.52 [1.320] | 28.00 [1.102] | 30.83 [1.214] | 31.99 [1.260] | 2.84 [.112] | 3.94 [.155] |
| 34 | 36.35 [1.431] | 37.52 [1.477] | 32.00 [1.260] | 34.83 [1.371] | 35.99 [1.417] | 2.84 [.112] | 3.94 [.155] |
| 40 | 42.35 [1.667] | 43.52 [1.713] | 38.00 [1.496] | 40.83 [1.607] | 41.99 [1.653] | 2.84 [.112] | 3.94 [.155] |
| 44 | 46.35 [1.825] | 47.52 [1.871] | 42.00 [1.654] | 44.83 [1.765] | 45.99 [1.811] | 2.84 [.112] | 3.94 [.155] |
| 50 | 52.35 [2.061] | 53.52 [2.107] | 48.00 [1.890] | 50.83 [2.001] | 51.99 [2.047] | 2.84 [.112] | 3.94 [.155] |

| | | | | | | |
|------------------------------------|---|----------------------------|------|---|------|------|
| DESIGN REFERENCE | NEXT ASSEMBLY | REV | ECO | ISSUE DATE AND DESCRIPTION | DRFT | CHKD |
| DATE | DATE | DRFT | DATE | DATE | DATE | DATE |
| L. SCHMIDT | JUL 29, 2010 | MFG | | | | |
| CHKO | DATE | APPR | DATE | APPR | DATE | APPR |
| S FELDMAN | AUG 09, 2010 | | | | | |
| DIVISION _____ DIVISION CODE _____ | | | | | | |
| DO NOT SCALE DRAWING | SCALE 1/1 | TOLERANCES EXCEPT AS NOTED | | © 3M COPYRIGHT 2010 This document and the information it contains are 3M property and may not be reproduced or further distributed without 3M permission, or used or disclosed other than for 3M authorized purposes. All rights reserved. | | |
| THIRD ANGLE PROJECTION | INTERPRET PER ASME Y14.5 - 1994 | MILLIMETERS | | TITLE 3M SHROUDED BOARD MOUNT HEADER 2 MM X 2 MM PITCH 159 SERIES | | |
| MAX SURFACE ROUGHNESS 125 | <input type="checkbox"/> ALL SURFACES <input checked="" type="checkbox"/> MARKED ONLY | INCHES | | CAGE NUMBER D 78-5100-2359-7 | | |
| | | ANGLES ±1° | | DRAWING NO. 78-5100-2359-7 REV. D SHT 5 OF 5 | | |

METRIC [ENGLISH]

DRAWING NUMBER 78-5100-2359-7

Компания «Океан Электроники» предлагает заключение долгосрочных отношений при поставках импортных электронных компонентов на взаимовыгодных условиях!

Наши преимущества:

- Поставка оригинальных импортных электронных компонентов напрямую с производств Америки, Европы и Азии, а так же с крупнейших складов мира;
- Широкая линейка поставок активных и пассивных импортных электронных компонентов (более 30 млн. наименований);
- Поставка сложных, дефицитных, либо снятых с производства позиций;
- Оперативные сроки поставки под заказ (от 5 рабочих дней);
- Экспресс доставка в любую точку России;
- Помощь Конструкторского Отдела и консультации квалифицированных инженеров;
- Техническая поддержка проекта, помощь в подборе аналогов, поставка прототипов;
- Поставка электронных компонентов под контролем ВП;
- Система менеджмента качества сертифицирована по Международному стандарту ISO 9001;
- При необходимости вся продукция военного и аэрокосмического назначения проходит испытания и сертификацию в лаборатории (по согласованию с заказчиком);
- Поставка специализированных компонентов военного и аэрокосмического уровня качества (Xilinx, Altera, Analog Devices, Intersil, Interpoint, Microsemi, Actel, Aeroflex, Peregrine, VPT, Syfer, Eurofarad, Texas Instruments, MS Kennedy, Miteq, Cobham, E2V, MA-COM, Hittite, Mini-Circuits, General Dynamics и др.);

Компания «Океан Электроники» является официальным дистрибьютором и эксклюзивным представителем в России одного из крупнейших производителей разъемов военного и аэрокосмического назначения «JONHON», а так же официальным дистрибьютором и эксклюзивным представителем в России производителя высокотехнологичных и надежных решений для передачи СВЧ сигналов «FORSTAR».



JONHON

«JONHON» (основан в 1970 г.)

Разъемы специального, военного и аэрокосмического назначения:

(Применяются в военной, авиационной, аэрокосмической, морской, железнодорожной, горно- и нефтедобывающей отраслях промышленности)

«FORSTAR» (основан в 1998 г.)

ВЧ соединители, коаксиальные кабели, кабельные сборки и микроволновые компоненты:

(Применяются в телекоммуникациях гражданского и специального назначения, в средствах связи, РЛС, а так же военной, авиационной и аэрокосмической отраслях промышленности).



Телефон: 8 (812) 309-75-97 (многоканальный)

Факс: 8 (812) 320-03-32

Электронная почта: ocean@oceanchips.ru

Web: <http://oceanchips.ru/>

Адрес: 198099, г. Санкт-Петербург, ул. Калинина, д. 2, корп. 4, лит. А