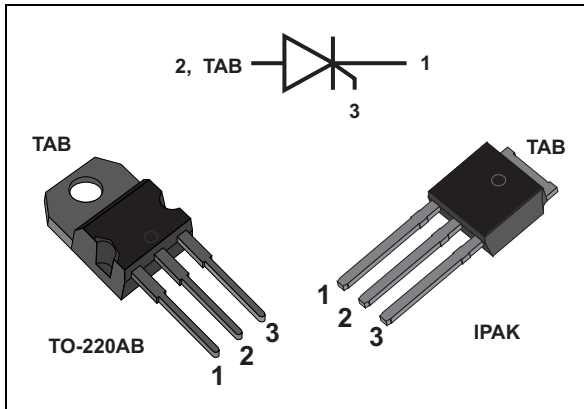


Fluorescent tube lamp starter SCR

Datasheet - production data



Description

The TN22 has been specifically developed for use in fluorescent tube lamp electronic starter circuits.

Used in conjunction with a sensitive SCR, it provides high energy striking characteristics with low triggering power.

Thanks to the optimized characteristics of the TN22, starters offer high reliability levels and extended life time of the fluorescent tube lamps.

Features

- High clamping voltage structure (1200 to 1500 V)
- Low gate triggering current for direct drive from line (< 1.5 mA)
- High holding current (> 175 mA), ensuring high striking energy

1 Characteristics

Table 1. Absolute ratings (limiting values)

Symbol	Parameter		Value	Unit
V_{DRM}	Repetitive peak off-state voltage	$T_j = 110\text{ °C}$	400	V
$I_{T(RMS)}$	On-state RMS current full sine wave (180° conduction angle)	$T_c = 95\text{ °C}$	2	A
$I_{T(AV)}$	Mean on-state current Full sinewave (180° conduction angle)	$T_c = 95\text{ °C}$	1.8	A
I_{TSM}	Non repetitive surge peak on-state current (T_j initial = 25 °C)	$t_p = 8.3\text{ ms}$	22	A
		$t_p = 10\text{ ms}$	20	
I^2t	I^2t Value for fusing	$t_p = 10\text{ ms}$	2	A ² s
di/dt	Critical rate of rise of on-state current $I_G = 5\text{ mA}$ $di_G/dt = 70\text{ mA}/\mu\text{s}$		50	A/ μs
$P_{G(AV)}$	Average gate power dissipation		300	mW
P_{GM}	Peak gate power dissipation	$t_p = 20\text{ }\mu\text{s}$	2	W
I_{GM}	Peak gate current	$t_p = 20\text{ }\mu\text{s}$	1	A
V_{RGM}	Maximum peak reverse gate voltage		6	V
T_{stg} T_j	Storage and operating junction temperature range		-40 to +150 -40 to +110	°C
T_L	Maximum lead temperature for soldering during 10 s at 4.5 mm from case		260	°C

Table 2. Electrical characteristics ($T_j = 25\text{ °C}$ unless otherwise stated)

Symbol	Test conditions		Value	Unit
I_{GT}	$V_D = 12\text{ V (DC)}$, $R_L = 33\text{ }\Omega$	Max.	1.5	mA
V_{GT}	$V_D = 12\text{ V (DC)}$, $R_L = 33\text{ }\Omega$, $R_{GK} = 1\text{ K}\Omega$	Max.	3	V
I_H	$V_{GK} = 0\text{ V}$	Min.	175	mA
dV/dt	Linear slope up to $V_D = 67\% V_{DRM}$, $V_{GK} = 0\text{ V}$, $T_j = 110\text{ °C}$	Min.	500	V/ μs
V_{BR}	$I_D = 5\text{ mA}$, $V_{GK} = 0\text{ V}$	Min.	1200	V
		Max.	1500	

Table 3. Static electrical characteristics ($T_j = 25\text{ °C}$ unless otherwise stated)

Symbol	Test conditions		Value	Unit
V_{TM}	$I_{TM} = 2\text{ A}$ $t_p = 380\text{ }\mu\text{s}$	Max.	3.1	V
I_{DRM}	V_{DRM} rated	Max.	0.1	mA

Table 4. Thermal resistance

Symbol	Parameter	Value	Unit
$R_{th(j-a)}$	Junction to ambient	IPAK	100
		TO-220AB	60
$R_{th(j-c)}$	Junction to case	3	$^{\circ}\text{C}/\text{W}$

Figure 1. Maximum average power dissipation versus average on-state current (rectified sine wave)

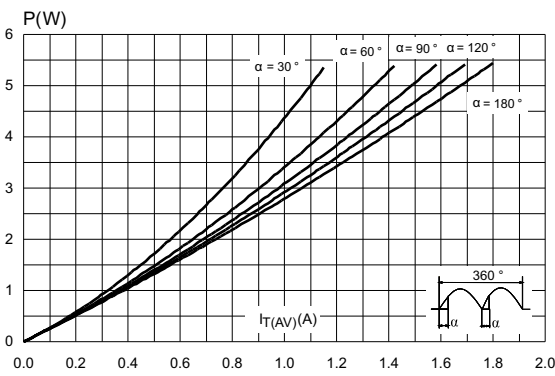


Figure 2. Average and DC on-state current versus case temperature (rectified sine wave)

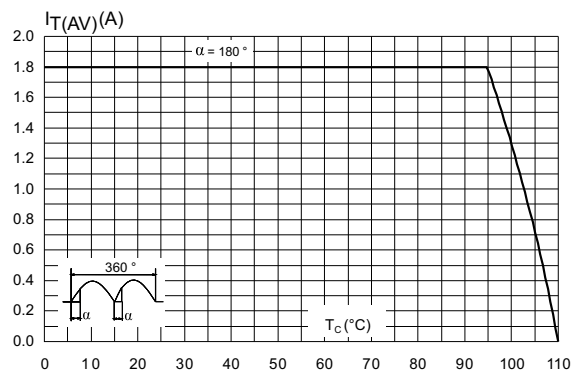


Figure 3. Average on-state current versus ambient temperature, free air convection (rectified sine wave)

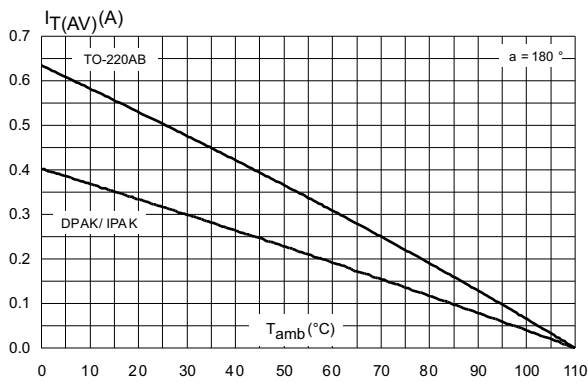


Figure 4. Variation of thermal impedance junction to ambient versus pulse duration

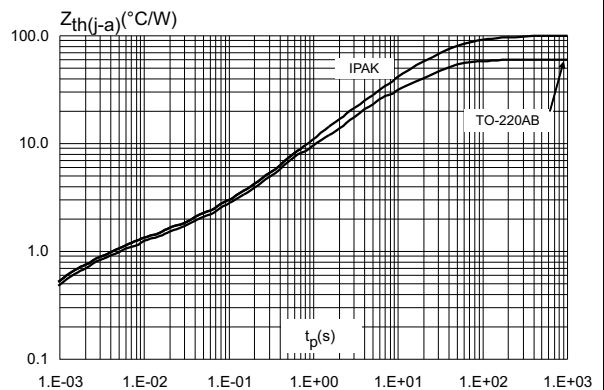


Figure 5. Relative variation of gate trigger and holding current versus junction temperature

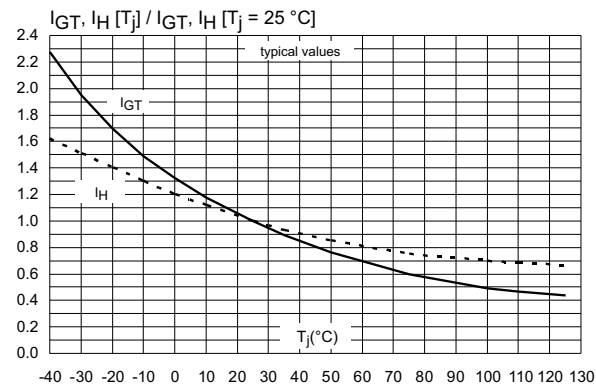


Figure 6. Surge peak on-state current versus number of cycles

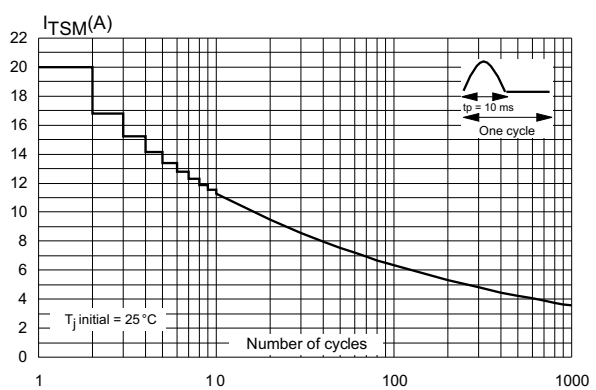


Figure 7. Non-repetitive surge peak on-state current for sinusoidal pulse

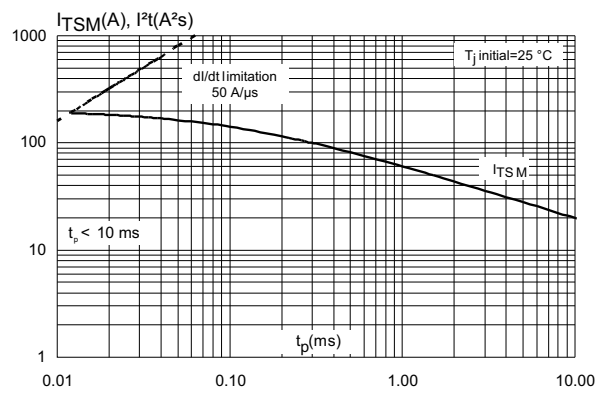


Figure 8. On-state characteristics (maximum values)

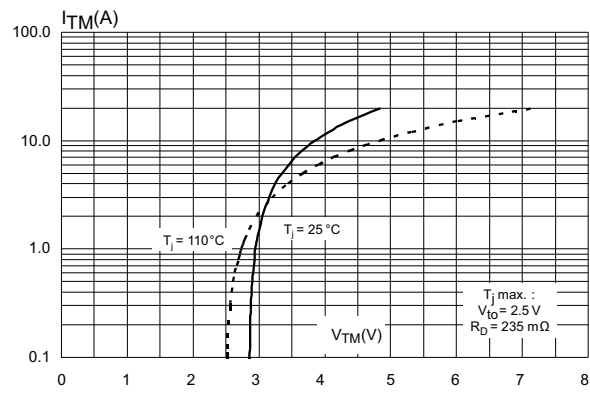


Figure 9. Maximum allowable RMS current versus time conduction and initial case temperature

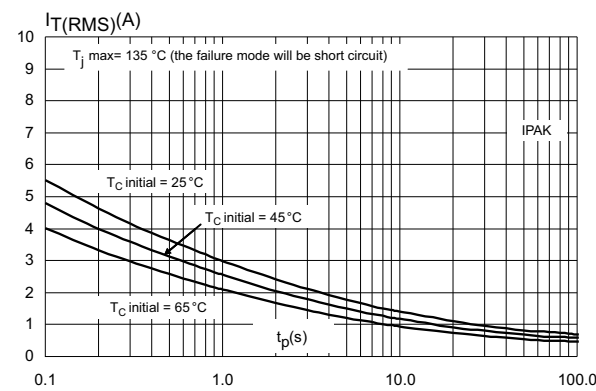


Figure 10. Maximum allowable RMS current versus time conduction and initial case temperature

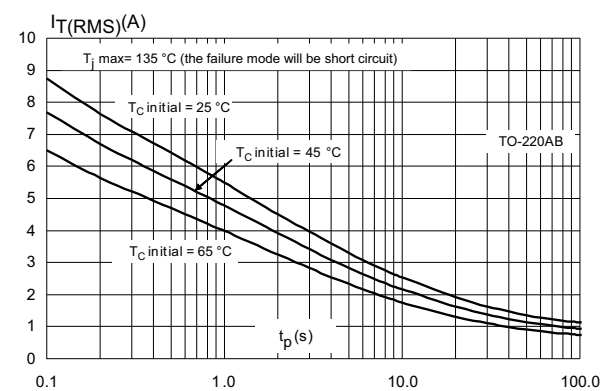
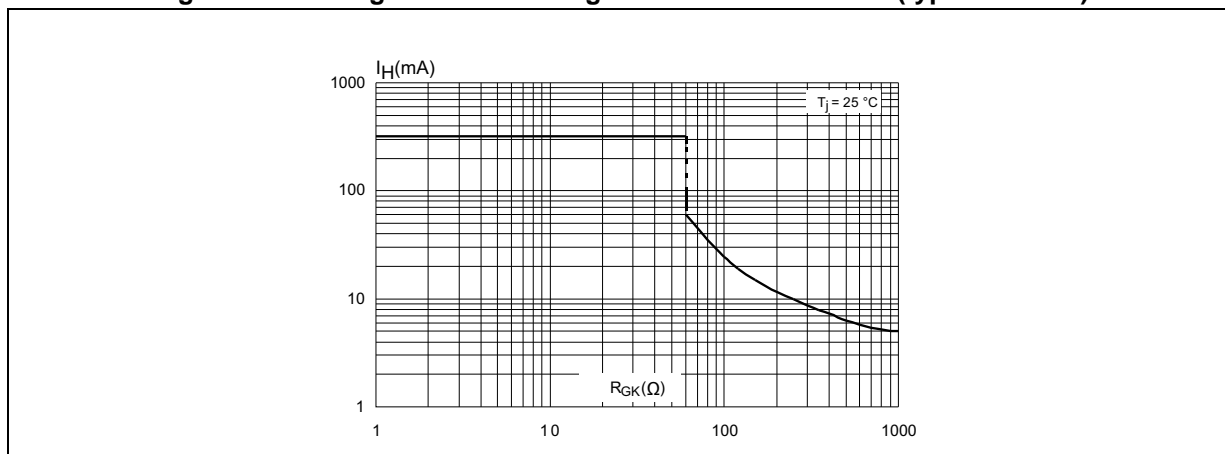


Figure 11. Holding current versus gate-cathode resistance (typical values)



2 Application information

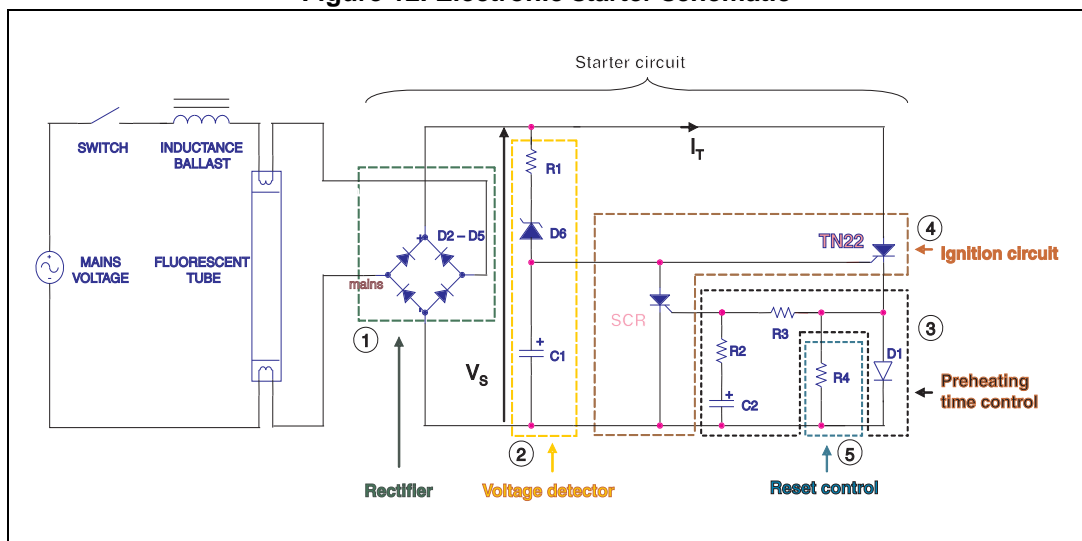
2.1 Overview

The TN22 has been designed for use as a fluorescent tube starter switch.

As shown in *Figure 12*, the starter circuit is divided in five parts:

1. Rectifier bridge: to rectify mains voltage.
2. Voltage detector: RCD circuit used to switch on the TN22.
3. Preheating time control: RC circuit used to switch on the SCR, so turn off the TN22.
4. Ignition circuit: made of sensitive SCR and TN22 devices.
5. Reset control: resistor used to discharge the C2 capacitor and to reset the circuit.

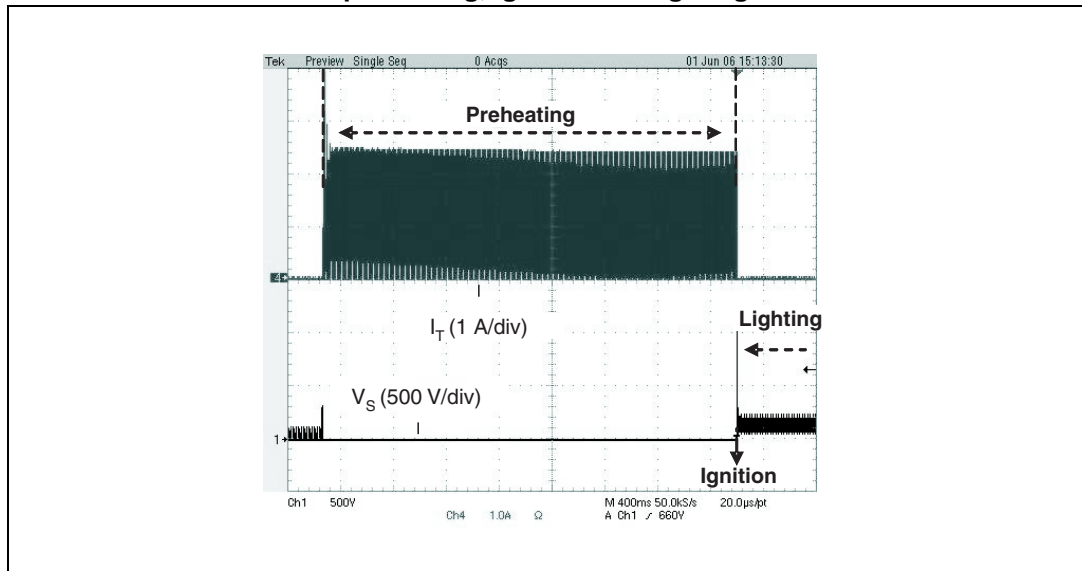
Figure 12. Electronic starter schematic



Three steps are necessary to ignite a fluorescent tube (see [Figure 13](#)):

- preheating of the filament
- ignition of the tube
- “lighting” mode

Figure 13. The three operating steps of the electronic starter: preheating, ignition and lighting



2.2 Filament and tube preheating

The mains voltage is applied across the circuit and when it reaches a higher level than the zener clamping voltage (V_{CL}), a current flows through the resistor R1 and the capacitor C1. The TN22 switches on when the voltage across its gate to cathode junction reaches the triggering gate level (V_{GT}).

As the TN22 is in on-state, a full sinusoidal current flows through the filaments (primary of the rectifier bridge) that are warmed up. This current is limited by the input ballast. The TN22 remains on at each current zero crossing point because the gate is still powered by the C1 capacitor.

The preheating time duration is set with the RC circuit made of R3, R2 and C2, and according to the voltage polarization fixed by the D1 drop voltage.

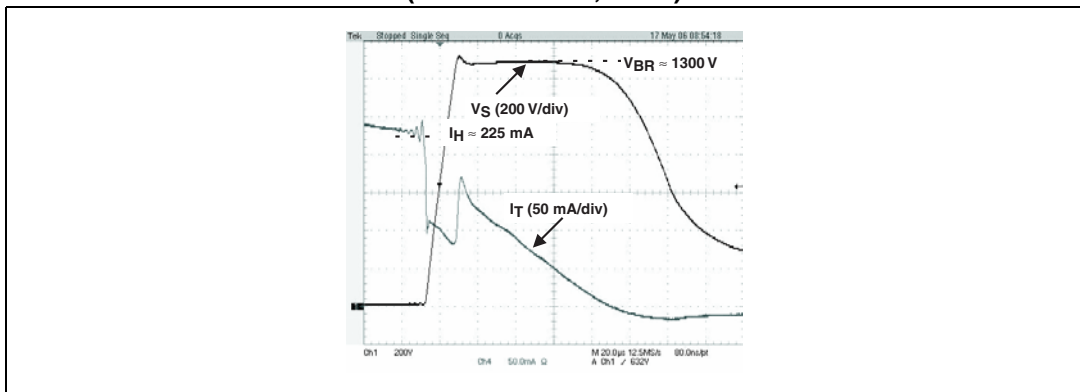
The preheating time is typically in the range of 2 to 3 seconds depending on the tube characteristics.

2.3 Ignition step

When C2 is charged above the SCR triggering gate voltage (V_{GT}), the SCR switches on. The voltage across the TN22 gate to cathode junction is fixed to a negative value, which allows a proper TN22 switch-off, with a high holding current (I_H) level.

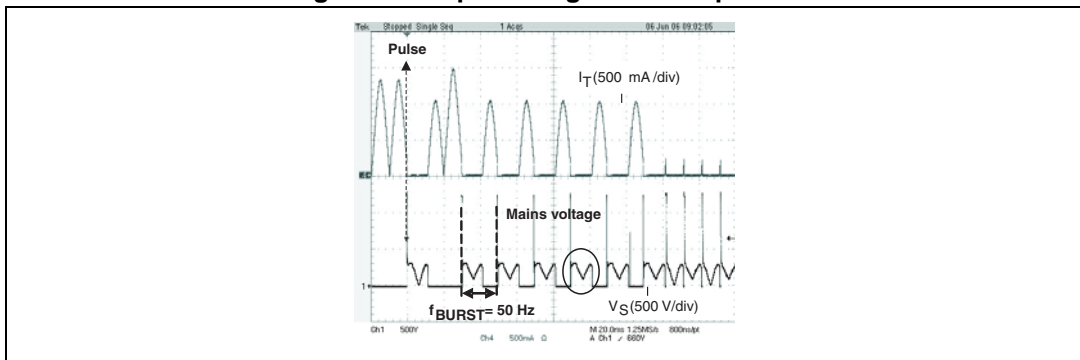
When the current reaches I_H , the TN22 switches off and the ballast inductor generates a high voltage pulse across the tube (see [Figure 13](#)). This over-voltage is clamped by the TN22 to a value fixed by the breakdown voltage (V_{BR}). A 1200 V to 1500 V level is necessary to ensure a correct ignition of the fluorescent tubes.

Figure 14. Typical high voltage pulse of an electronic starter circuit (P0130AA SCR, TN22)



If the lamp is not ignited after the first pulse, the starter circuit starts a new ignition sequence. The pulse is regenerated until ignition of the tube lamp. If the lamp is not ignited after several attempts, the starter circuit can automatically stop the ignition sequence.

Figure 15. Repetitive ignitions sequence



2.4 Lighting state

When the lamp is ignited, the capacitor C2 is discharged through the resistors R2, R3 and R4. The voltage across the lamp remains lower than the D6 clamping voltage (V_{CL}), avoiding the triggering of the TN22. The starter circuit remains in stand-by mode.

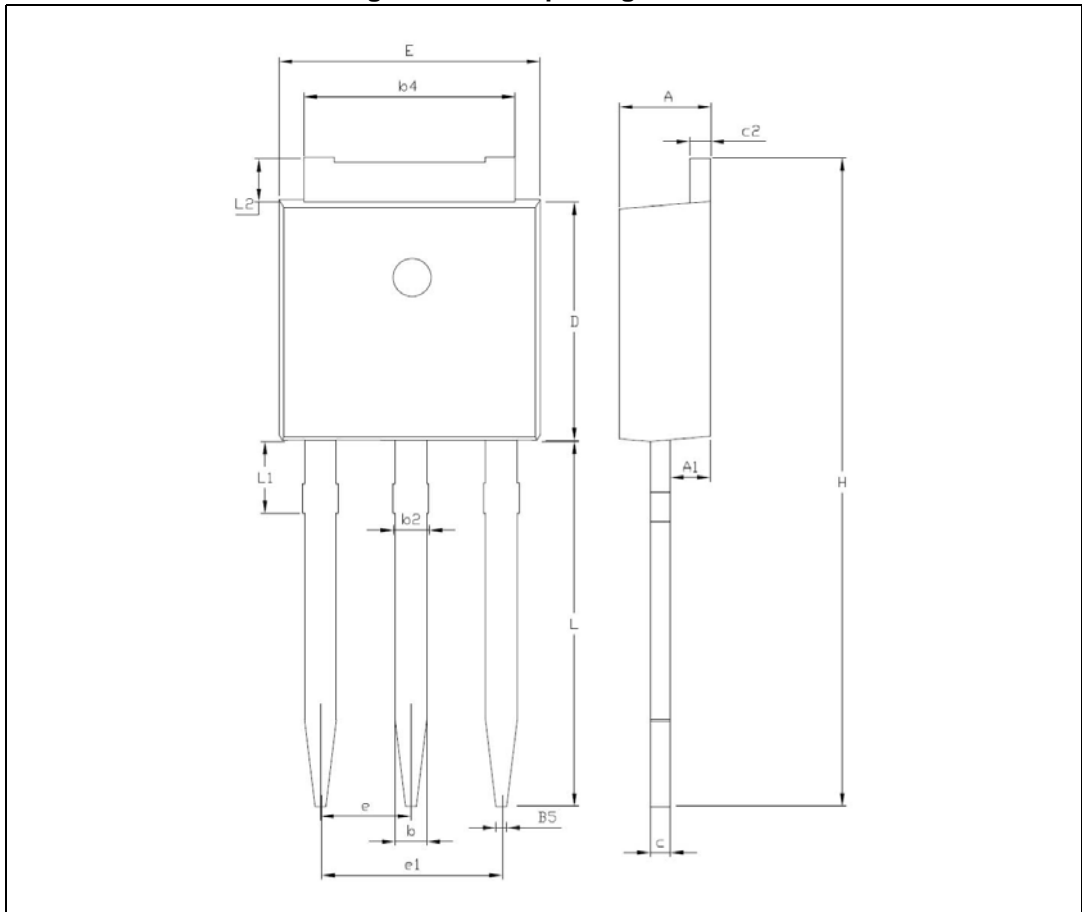
3 Package information

- Epoxy meets UL94, V0
- Lead-free packages
- Recommended torque: 0.4 to 0.6 N·m

In order to meet environmental requirements, ST offers these devices in different grades of ECOPACK[®] packages, depending on their level of environmental compliance. ECOPACK[®] specifications, grade definitions and product status are available at: www.st.com. ECOPACK[®] is an ST trademark.

3.1 IPAK package information

Figure 16. IPAK package outline



Note: This package drawing may slightly differ from the physical package. However, all the specified dimensions are guaranteed.

Table 5. IPAK package mechanical data

Ref.	Dimensions					
	Millimeters			Inches		
	Min.	Typ.	Max.	Min.	Typ.	Max.
A	2.20		2.40	0.086		0.094
A1	0.90		1.10	0.035		0.043
b	0.64		0.90	0.025		0.035
b2			0.95			0.037
b4	5.20		5.43	0.204		0.213
B5		0.30			0.012	
c	0.45		0.60	0.017		0.023
c2	0.46		0.60	0.018		0.023
D	6		6.20	0.236		0.244
E	6.40		6.65	0.252		0.2618
e		2.28			0.090	
e1	4.40		4.60	0.173		0.181
H		16.10			0.634	
L	9		9.60	0.354		0.377
L1	0.8		1.20	0.031		0.047
L2		0.80	1.25		0.031	0.049
V1		10°			10°	

3.2 TO-220AB package information

Figure 17. TO-220AB package outline

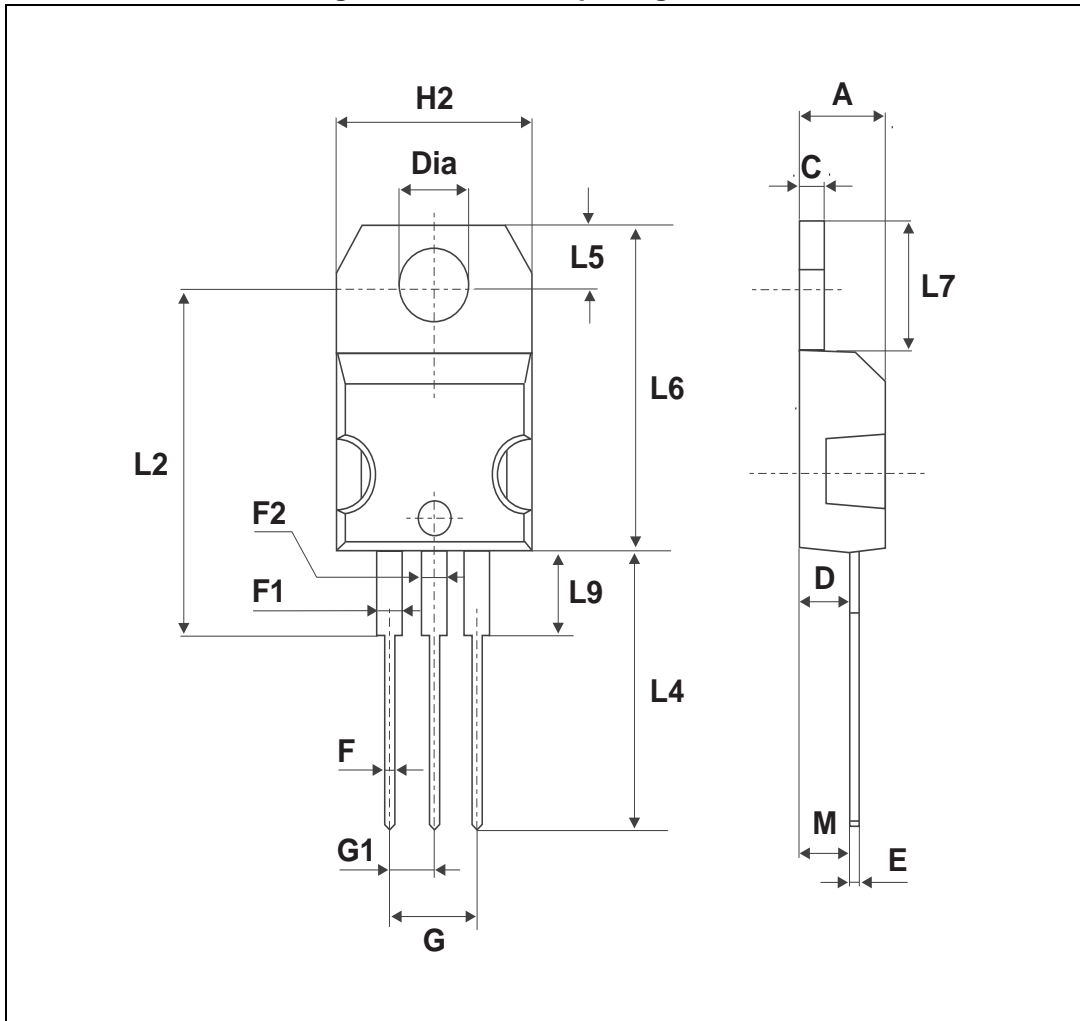


Table 6. TO-220AB package mechanical data

Ref.	Dimensions			
	Millimeters		Inches	
	Min.	Max.	Min.	Max.
A	4.40	4.60	0.17	0.18
b	0.61	0.88	0.024	0.035
b1	1.14	1.70	0.045	0.067
c	0.48	0.70	0.019	0.027
D	15.25	15.75	0.60	0.62
D1	1.27 typ.		0.05 typ.	
E	10	10.40	0.39	0.41
e	2.40	2.70	0.094	0.106
e1	4.95	5.15	0.19	0.20
F	1.23	1.32	0.048	0.052
H1	6.20	6.60	0.24	0.26
J1	2.40	2.72	0.094	0.107
L	13	14	0.51	0.55
L1	3.50	3.93	0.137	0.154
L20	16.40 typ.		0.64 typ.	
L30	28.90 typ.		1.13 typ.	
ØP	3.75	3.85	0.147	0.151
Q	2.65	2.95	0.104	0.116

4 Ordering information

Figure 18. Ordering information scheme

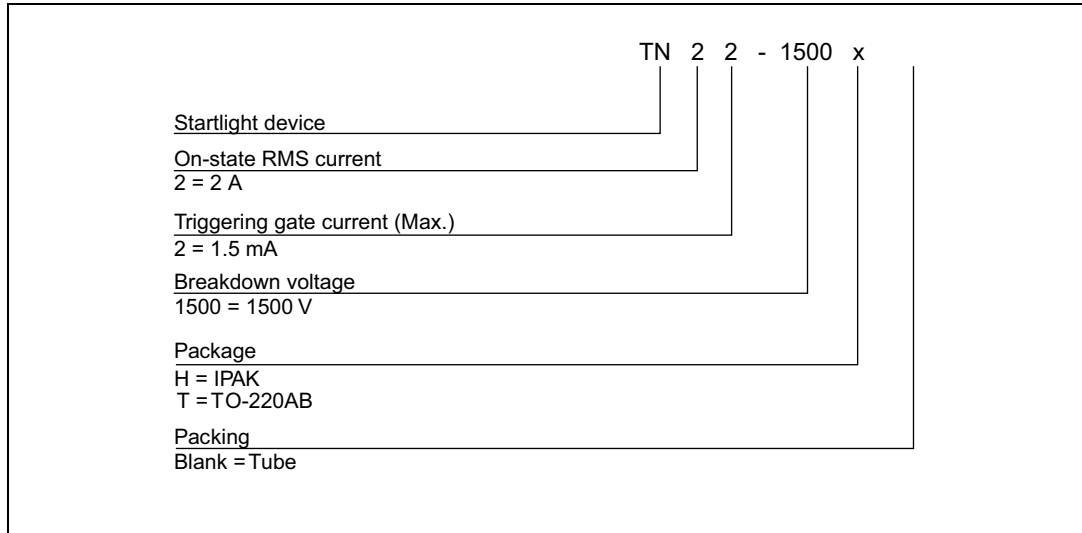


Table 7. Ordering information

Order code	Marking	Package	Weight	Base qty	Delivery mode
TN22-1500H	TN22-1500	IPAK	0.4 g	75	Tube
TN22-1500T	TN22-1500	TO-220AB	2.0 g	50	Tube

5 Revision history

Table 8. Document revision history

Date	Revision	Changes
Oct-2000	1	First release.
17-Sep-2005	2	TO-220AB package added.
13-Aug-2009	3	Updated Figure 14. Added Figure 19 and Figure 20.
03-Jun-2014	4	Update IPAK package information and reformatted to current standard.
18-Jan-2016	5	Format updated to current standard. Updated cover page. Updated Figure 7 , Figure 16 and Figure 18 . Updated Table 1 and Table 7 .

IMPORTANT NOTICE – PLEASE READ CAREFULLY

STMicroelectronics NV and its subsidiaries ("ST") reserve the right to make changes, corrections, enhancements, modifications, and improvements to ST products and/or to this document at any time without notice. Purchasers should obtain the latest relevant information on ST products before placing orders. ST products are sold pursuant to ST's terms and conditions of sale in place at the time of order acknowledgement.

Purchasers are solely responsible for the choice, selection, and use of ST products and ST assumes no liability for application assistance or the design of Purchasers' products.

No license, express or implied, to any intellectual property right is granted by ST herein.

Resale of ST products with provisions different from the information set forth herein shall void any warranty granted by ST for such product.

ST and the ST logo are trademarks of ST. All other product or service names are the property of their respective owners.

Information in this document supersedes and replaces information previously supplied in any prior versions of this document.

© 2016 STMicroelectronics – All rights reserved

Компания «Океан Электроники» предлагает заключение долгосрочных отношений при поставках импортных электронных компонентов на взаимовыгодных условиях!

Наши преимущества:

- Поставка оригинальных импортных электронных компонентов напрямую с производств Америки, Европы и Азии, а так же с крупнейших складов мира;
- Широкая линейка поставок активных и пассивных импортных электронных компонентов (более 30 млн. наименований);
- Поставка сложных, дефицитных, либо снятых с производства позиций;
- Оперативные сроки поставки под заказ (от 5 рабочих дней);
- Экспресс доставка в любую точку России;
- Помощь Конструкторского Отдела и консультации квалифицированных инженеров;
- Техническая поддержка проекта, помощь в подборе аналогов, поставка прототипов;
- Поставка электронных компонентов под контролем ВП;
- Система менеджмента качества сертифицирована по Международному стандарту ISO 9001;
- При необходимости вся продукция военного и аэрокосмического назначения проходит испытания и сертификацию в лаборатории (по согласованию с заказчиком);
- Поставка специализированных компонентов военного и аэрокосмического уровня качества (Xilinx, Altera, Analog Devices, Intersil, Interpoint, Microsemi, Actel, Aeroflex, Peregrine, VPT, Syfer, Eurofarad, Texas Instruments, MS Kennedy, Miteq, Cobham, E2V, MA-COM, Hittite, Mini-Circuits, General Dynamics и др.);

Компания «Океан Электроники» является официальным дистрибьютором и эксклюзивным представителем в России одного из крупнейших производителей разъемов военного и аэрокосмического назначения «**JONHON**», а так же официальным дистрибьютором и эксклюзивным представителем в России производителя высокотехнологичных и надежных решений для передачи СВЧ сигналов «**FORSTAR**».



JONHON

«**JONHON**» (основан в 1970 г.)

Разъемы специального, военного и аэрокосмического назначения:

(Применяются в военной, авиационной, аэрокосмической, морской, железнодорожной, горно- и нефтедобывающей отраслях промышленности)

«**FORSTAR**» (основан в 1998 г.)

ВЧ соединители, коаксиальные кабели,
кабельные сборки и микроволновые компоненты:

(Применяются в телекоммуникациях гражданского и специального назначения, в средствах связи, РЛС, а так же военной, авиационной и аэрокосмической отраслях промышленности).



Телефон: 8 (812) 309-75-97 (многоканальный)

Факс: 8 (812) 320-03-32

Электронная почта: ocean@oceanchips.ru

Web: <http://oceanchips.ru/>

Адрес: 198099, г. Санкт-Петербург, ул. Калинина, д. 2, корп. 4, лит. А