



AMPHENOL PCD SHENZHEN



# EXCEL | MATE

## High Voltage Safety Lock

[www.amphenolpcd.com.cn](http://www.amphenolpcd.com.cn)

**INDUSTRIAL@AMPHENOL**  
TRUSTED GLOBALLY

|  |    |   |     |
|--|----|---|-----|
| <b>EXCEL MATE PRODUCT INTRODUCTION</b> ..... | 2  | <b>Excel Mate Eco (HVSL600/630/633/280/282/364)</b> |     |
| <b>Excel Mate Plus (HVSL1200)</b> .....      | 3  | <b>HVSL600</b> .....                                | 51  |
| 2 PIN RECEPTACLE BOX MOUNTED .....           | 4  | RECEPTACLE .....                                    | 52  |
| 2 PIN PLUG .....                             | 6  | PLUG .....  | 54  |
| 2 PIN PLUG RIGHT ANGLE .....                 | 7  | HOW TO ORDER: HVSL600 .....                         | 55  |
| HOW TO ORDER: HVSL1200 .....                 | 8  | CHARTS: HVSL600 .....                               | 56  |
| CHARTS: HVSL1200 .....                       | 9  | <b>HVSL630</b> .....                                | 57  |
| <b>Excel Mate Plus (HVSL1000)</b> .....      | 10 | RECEPTACLE .....                                    | 58  |
| 1 PIN RECEPTACLE .....                       | 11 | PLUG .....  | 60  |
| 1 PIN PLUG .....                             | 13 | HOW TO ORDER: HVSL630 .....                         | 61  |
| 1 PIN RECEPTACLE WITHOUT INTERLOCK .....     | 14 | CHARTS: HVSL630 .....                               | 62  |
| 1 PIN PLUG RIGHT ANGLE .....                 | 15 | <b>HVSL633</b> .....                                | 63  |
| 2 PIN RECEPTACLE BOX MOUNTED .....           | 16 | RECEPTACLES .....                                   | 64  |
| 2 PIN PLUG .....                             | 18 | PLUG .....  | 68  |
| 2 PIN PLUG RIGHT ANGLE .....                 | 19 | HOW TO ORDER: HVSL633 .....                         | 69  |
| 3 PIN RECEPTACLE BOX MOUNTED .....           | 20 | CHARTS: HVSL633 .....                               | 70  |
| 3 PIN PLUG .....                             | 21 | <b>HVSL280</b> .....                                | 71  |
| 3 PIN PLUG RIGHT ANGLE .....                 | 22 | RECEPTACLE .....                                    | 72  |
| ATTACHMENT .....                             | 23 | PLUG .....  | 74  |
| PRODUCT SERIES OVERVIEW .....                | 25 | HOW TO ORDER: HVSL280 .....                         | 75  |
| HOW TO ORDER: HVSL1000 .....                 | 26 | CHARTS: HVSL280 .....                               | 76  |
| CHARTS: HVSL1000 .....                       | 27 | <b>HVSL282</b> .....                                | 77  |
| <b>Excel Mate S (HVSL800)</b> .....          | 28 | RECEPTACLES .....                                   | 78  |
| 2 PIN RECEPTACLE .....                       | 29 | PLUG .....  | 83  |
| 2 PIN STRAIGHT PLUG .....                    | 30 | HOW TO ORDER: HVSL282 .....                         | 84  |
| 2 PIN RIGHT ANGLE PLUG .....                 | 31 | CHARTS: HVSL282 .....                               | 85  |
| 3 PIN RECEPTACLE .....                       | 32 | <b>HVSL362</b> .....                                | 86  |
| 3 PIN STRAIGHT PLUG .....                    | 33 | RECEPTACLE .....                                    | 87  |
| 3 PIN RIGHT ANGLE PLUG .....                 | 34 | PLUG .....  | 89  |
| HOW TO ORDER: HVSL800 .....                  | 35 | HOW TO ORDER: HVSL362 .....                         | 90  |
| CHARTS: HVSL800 .....                        | 36 | CHARTS: HVSL362 .....                               | 91  |
| <b>Excel Mate Metal (HVSL600)</b> .....      | 37 | <b>HVSL364</b> .....                                | 92  |
| 2 PIN RECEPTACLE .....                       | 38 | RECEPTACLE .....                                    | 93  |
| 2 PIN STRAIGHT PLUG .....                    | 39 | PLUG .....  | 95  |
| 2 PIN RIGHT ANGLE PLUG .....                 | 40 | HOW TO ORDER: HVSL364 .....                         | 96  |
| 3 PIN RECEPTACLE .....                       | 41 | <b>Excel Mate PT</b> .....                          | 97  |
| 3 PIN STRAIGHT PLUG .....                    | 42 | 1 POSITION .....                                    | 98  |
| 3 PIN RIGHT ANGLE PLUG .....                 | 43 | 2 POSITION .....                                    | 101 |
| HOW TO ORDER: HVSL600 .....                  | 44 | 3 POSITION .....                                    | 103 |
| CHARTS: HVSL600 .....                        | 45 | <b>HVPT B</b> .....                                 | 105 |
| <b>Excel Mate Metal (HVSL800)</b> .....      | 46 | 2 POSITION .....                                    | 106 |
| RECEPTACLE .....                             | 47 | 3 POSITION .....                                    | 107 |
| STRAIGHT PLUG .....                          | 48 | <b>HVPT B 2A</b> .....                              | 108 |
| RIGHT ANGLE PLUG .....                       | 49 | <b>HVPC</b> .....                                   | 109 |
| HOW TO ORDER: HVSL800 .....                  | 50 | <b>HVPC 800</b> .....                               | 112 |

# PRODUCT INTRODUCTION



When high-performance and increased safety are required in xEV, Amphenol PCD's **Excel|Mate** connectors fulfil the challenge.

HVSL Series is designed to meet AK standards for various xEV applications, including power and signal interconnect solutions. Different versions are available, from 1 position to 4 positions and a rated current from 23A to 350A.

| Product                    | HVSL1200     | HVSL1000     | HVSL800      | HVSL800      | HVSL600      | HVSL600      | HVSL630   | HVSL633      | HVSL280   | HVSL282      | HVSL362      | HVSL364      |
|----------------------------|--------------|--------------|--------------|--------------|--------------|--------------|-----------|--------------|-----------|--------------|--------------|--------------|
| Position                   | 2            | 1, 2, 3      | 2, 3         | 2            | 2, 3         | 1            | 2         | 3            | 3         | 2            | 2            | 4            |
| Rated Voltage              | 1000V        | 1000V        | 1000V        | 1000V        | 1000V        | 800V         | 800V      | 800V         | 800V      | 800V         | 800V         | 800V         |
| Rated Current              | 350A         | 250A         | 180A         | 180A         | 120A         | 120A         | 40A       | 40A          | 23A       | 32A          | 60A          | 46A          |
| HVIL                       | √            | √            | √            | √            | √            | √            | √         | √            | √         | √            | √            | √            |
| Shielding                  | √            | √            | √            | √            | √            | √            | √         | √            | √         | √            | √            | √            |
| Shell                      | Plastic      | Plastic      | Plastic      | Metal        | Metal        | Plastic      | Plastic   | Plastic      | Plastic   | Plastic      | Plastic      | Plastic      |
| IP67,IP6K9K                | √            | √            | √            | √            | √            | √            | √         | √            | √         | √            | √            | √            |
| Touch-Proof IP2XB          | √            | √            | √            | √            | √            | √            | √         | √            | √         | √            | √            | √            |
| Cable size mm <sup>2</sup> | 70 to 95     | 25 to 70     | 25 to 50     | 25 to 50     | 16 to 25     | 25           | 4 to 6    | 2.5 to 6     | 2.5 to 4  | 2.5 to 4     | 6 to 10      | 2.5 to 6     |
| Cable type shielded wire   | Individually | Individually | Individually | Individually | Individually | Individually | Multicore | Individually | Multicore | Individually | Individually | Individually |

## Excel|Mate (HVSL1200)



### High Voltage Safety Lock

HVSL1200, which is the latest generation of the Excel|Mate series, has been specially designed for use in xEV applications.

The RADSOK® Technology R4 version 12mm and an interlock solution ensure a safe and reliable connection.

### KEY FEATURES

With interlock solution

RADSOK® Technology R4 version 12mm

Shielding performance: EMI/RFI 60DB

Sealing, IP67 (mated), IP6K9K

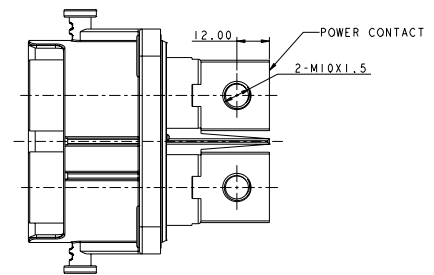
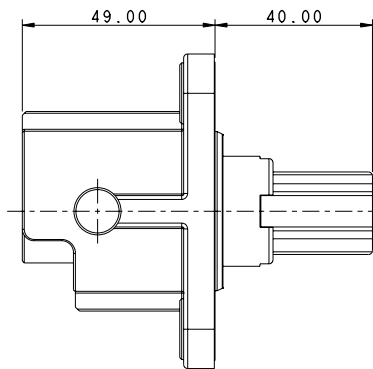
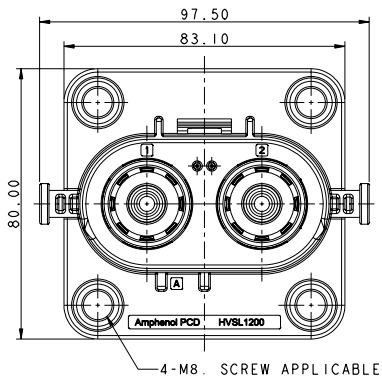
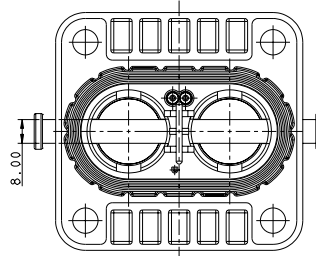
Touch-proof, IP2XB

Multiple coding positions

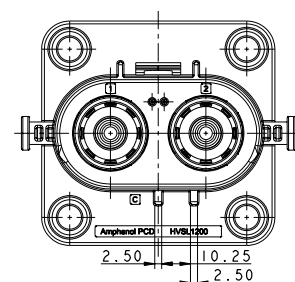
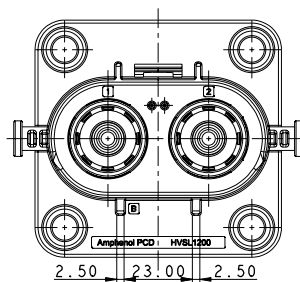
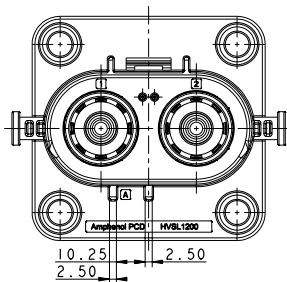
| APPLICATIONS                 |  |
|------------------------------|--|
| xEV Battery                  |  |
| Inverters                    |  |
| Junction boxes               |  |
| Power distribution boxes     |  |
| MECHANICAL                   |  |
| Durability                   | ≥ 50 mating cycles                     |
| Wire range                   | 70mm <sup>2</sup> to 95mm <sup>2</sup> |
| ELECTRICAL                   |  |
| Rated voltage                | 1000V DC                               |
| Rated current                | 350A Max @ ambient temperature 70°C    |
| Insulator resistance         | > 200MΩ                                |
| Dielectric withstand voltage | 3000V AC                               |
| ENVIRONMENTAL                |  |
| Sealing                      | IP67, IP6K9K (mated)                   |
| Touch-proof                  | IP2XB                                  |
| Temperature range            | -40°C to 125°C                         |
| Inflammability               | UL94V0                                 |
| STANDARDS                    |  |
| USCAR-2                      |  |
| USCAR37                      |  |
| LV-215                       |  |
| RoHS                         |  |

# Excel|Mate Max (HVSL 1200)

## 2 PIN RECEPTACLE BOX MOUNTED



## INSERT ORIENTATIONS

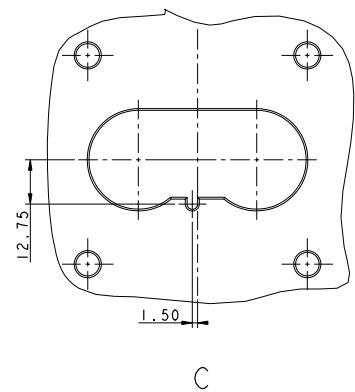
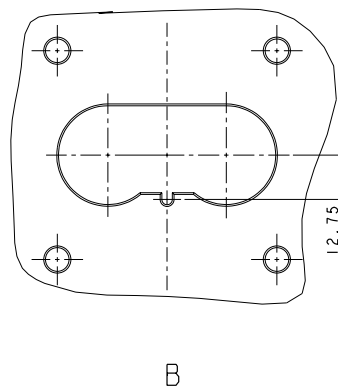
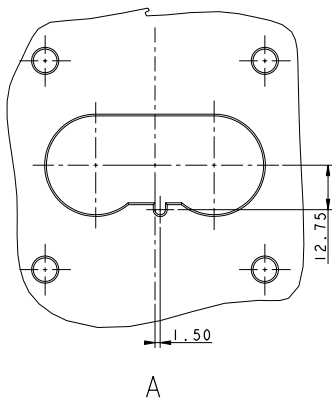
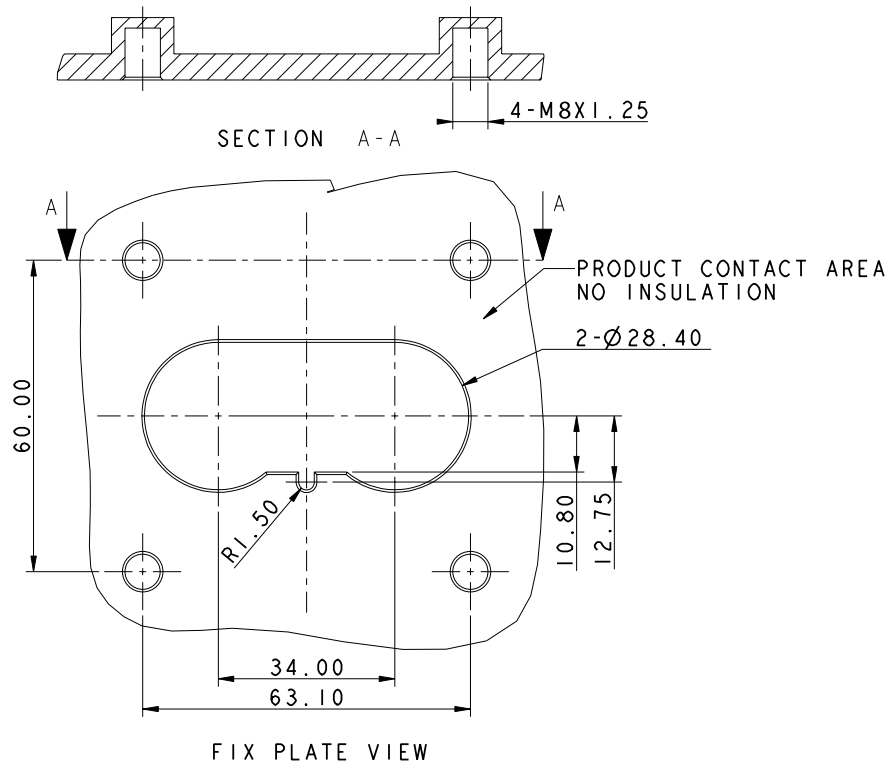


A  
P/N HVSL1200 02 2 A

B  
P/N HVSL1200 02 2 B

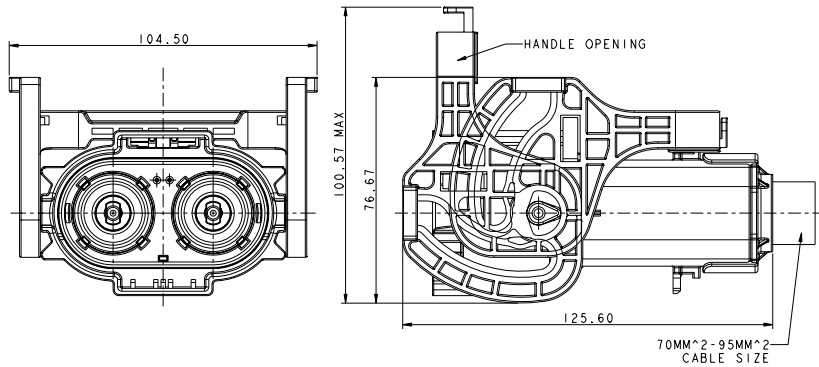
C  
P/N HVSL1200 02 2 C

PANEL MOUNTING DIMENSIONS

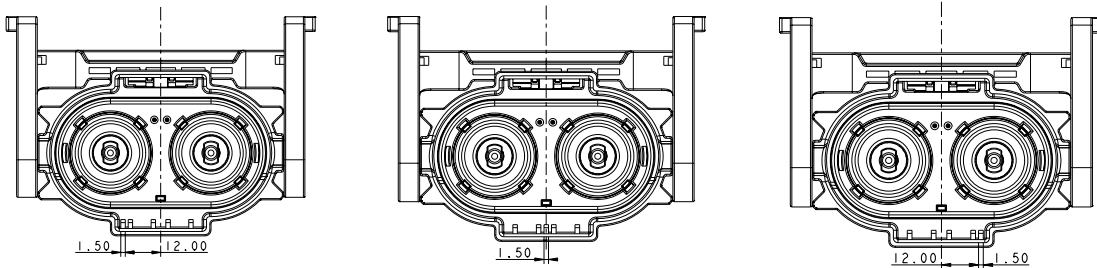


# ExcelMate Max (HVSL 1200)

## 2 PIN PLUG

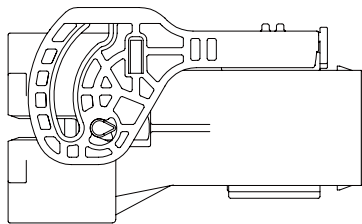


## INSERT ORIENTATIONS

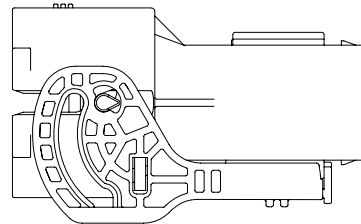


|     | A               | B               | C               |
|-----|-----------------|-----------------|-----------------|
| P/N | HVSL1200 06 2 A | HVSL1200 06 2 B | HVSL1200 06 2 C |

## LEVER POSITION

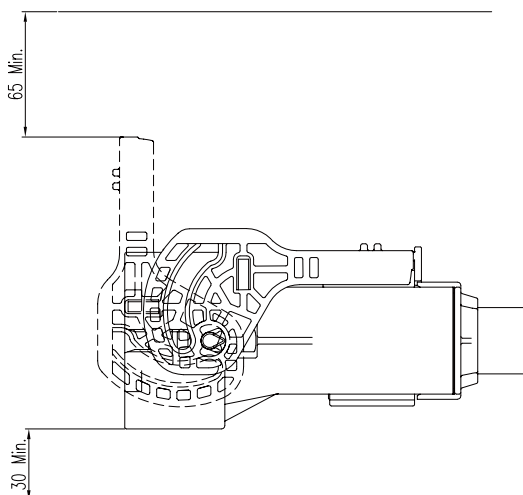


STANDARD LEVER

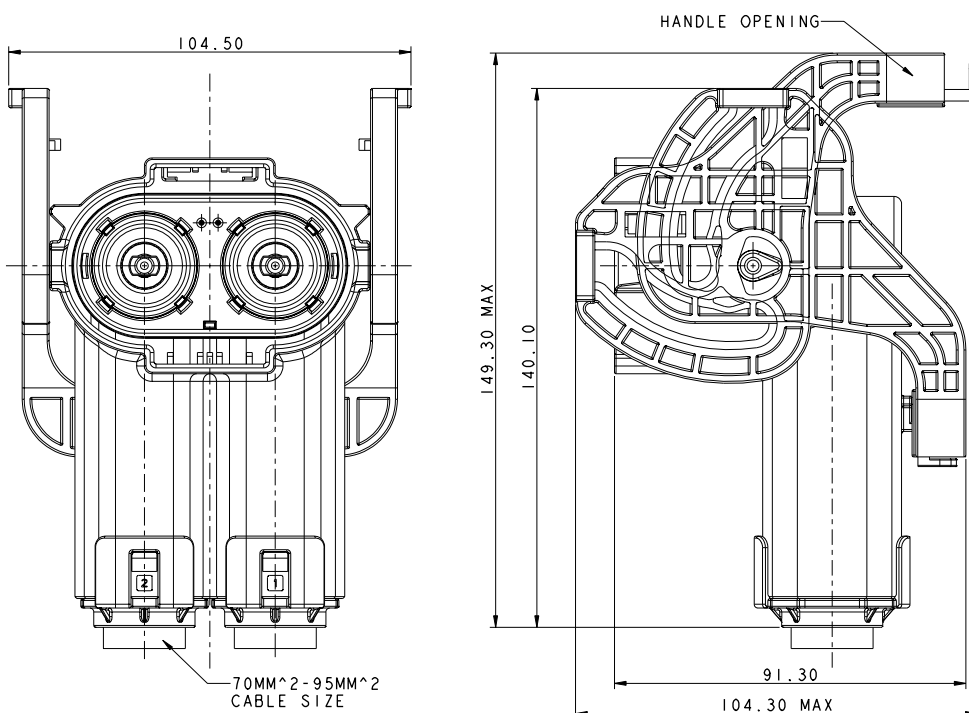


REVERSE LEVER

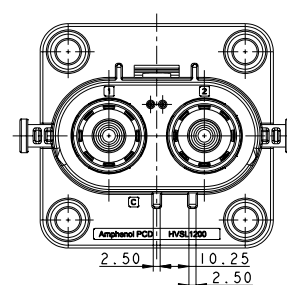
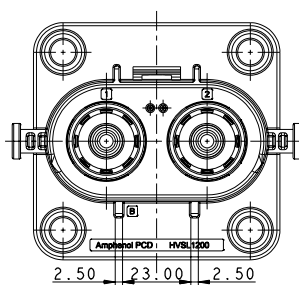
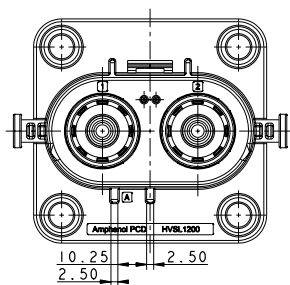
## INSTALLATION CLEARANCE



2 PIN PLUG RIGHT ANGLE



INSERT ORIENTATIONS



|     | A               | B               | C               |
|-----|-----------------|-----------------|-----------------|
| P/N | HVSL1200 08 2 A | HVSL1200 08 2 B | HVSL1200 08 2 C |



# HOW TO ORDER (HVSL 1200)

## HOW TO ORDER: PLUG

|                                     |          |    |   |   |   |    |
|-------------------------------------|----------|----|---|---|---|----|
|                                     | HVSL1200 | 06 | 2 | A | 0 | 70 |
| <b>Product type:</b>                |          |    |   |   |   |    |
| 06: Straight plug                   |          |    |   |   |   |    |
| 08: Right angle plug                |          |    |   |   |   |    |
| <b>Position:</b>                    |          |    |   |   |   |    |
| 2: 2 position                       |          |    |   |   |   |    |
| <b>Coding / Alternate position:</b> |          |    |   |   |   |    |
| A: Coding A                         |          |    |   |   |   |    |
| B: Coding B                         |          |    |   |   |   |    |
| C: Coding C                         |          |    |   |   |   |    |
| <b>Interlock:</b>                   |          |    |   |   |   |    |
| 0: Without interlock                |          |    |   |   |   |    |
| 1: With interlock                   |          |    |   |   |   |    |
| <b>Cable size:</b>                  |          |    |   |   |   |    |
| 70: 70mm <sup>2</sup> cable         |          |    |   |   |   |    |
| 95: 95mm <sup>2</sup> cable         |          |    |   |   |   |    |

## HOW TO ORDER: RECEPTACLE

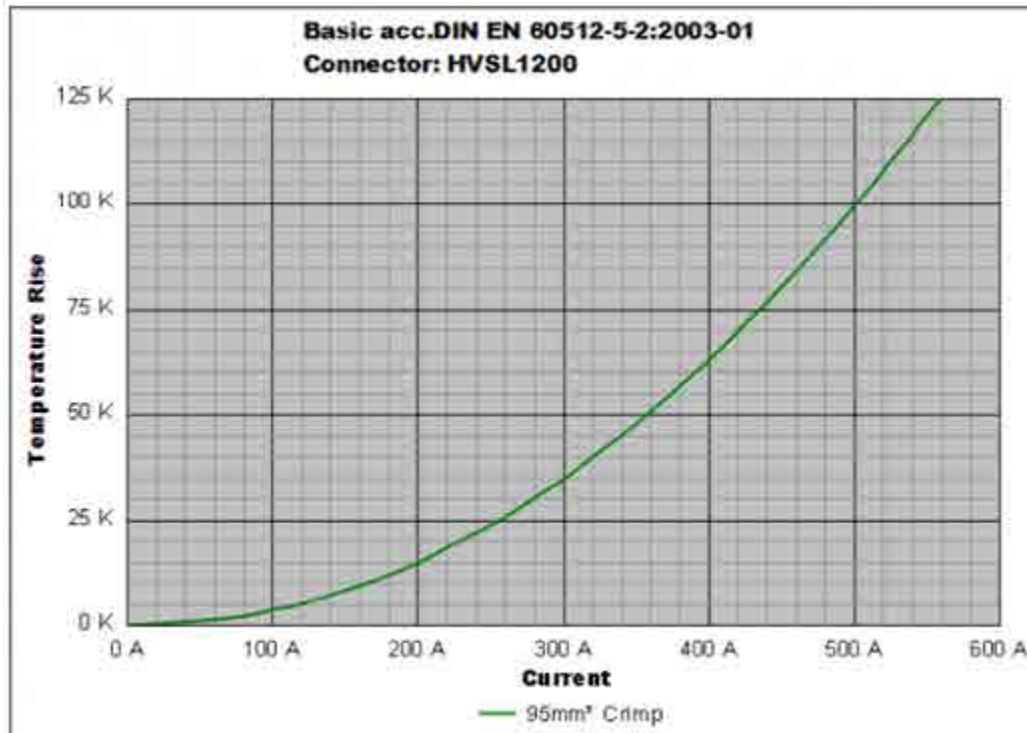
|                                     |          |    |   |   |   |     |
|-------------------------------------|----------|----|---|---|---|-----|
|                                     | HVSL1200 | 02 | 2 | A | 0 | H10 |
| <b>Product type:</b>                |          |    |   |   |   |     |
| 02: Box mounted receptacle          |          |    |   |   |   |     |
| <b>Position:</b>                    |          |    |   |   |   |     |
| 2: 2 position                       |          |    |   |   |   |     |
| <b>Coding / Alternate position:</b> |          |    |   |   |   |     |
| A: Coding A                         |          |    |   |   |   |     |
| B: Coding B                         |          |    |   |   |   |     |
| C: Coding C                         |          |    |   |   |   |     |
| <b>Interlock:</b>                   |          |    |   |   |   |     |
| 0: Without interlock                |          |    |   |   |   |     |
| 1: With interlock                   |          |    |   |   |   |     |
| <b>Cable size:</b>                  |          |    |   |   |   |     |
| H10: OT terminal                    |          |    |   |   |   |     |

## EXTRACTION TOOL FOR RECEPTACLE

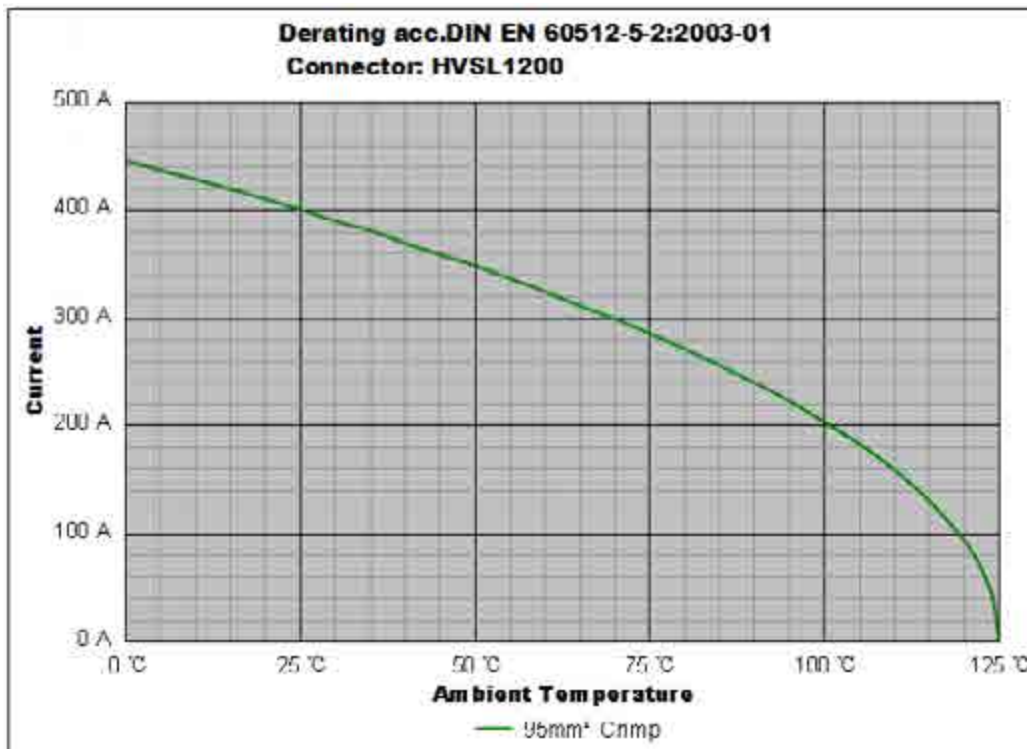
HVIL-contact Extraction tool: HVTOOL10R



## HVSL 1200 | Temperature Rise



## HVSL 1200 | Derating Curve



Remark: tests carried out on the complete connector.

# Excel|Mate Plus (HVSL 1000)

## Excel|Mate Plus



### High Voltage Safety Lock

Excel|Mate Plus offers a max rated voltage up to 1000V and a max rated current of 250A. It can be used for power solutions in various xEV applications.

External HVIL for 1 position and internal HVIL for 2 to 3 positions.

### KEY FEATURES

With interlock solution

RADSOK® Technology R4 version  
10mm

Shielding performance: EMI/RFI 60DB

AK compliance LV215

Sealing, IP67 (mated), IP6K9K

1 to 3 positions available

Touch-proof, IP2XB

Multiple coding positions

### APPLICATIONS

xEV Battery

Inverters

Junction boxes

Power distribution boxes

### MECHANICAL

Durability  $\geq 50$  mating cycles

Wire range 25 to 70 mm<sup>2</sup>

### ELECTRICAL

Rated voltage 1000V DC

Rated current 250A Max @ ambient  
temperature 70°C

Insulator resistance  $> 200M\Omega$

Dielectric withstand  
voltage 3000V AC

### ENVIRONMENTAL

Sealing IP67, IP6K9K (mated)

Touch-proof IP2XB

Temperature range -40°C to 125°C

Inflammability UL94V0

### STANDARDS

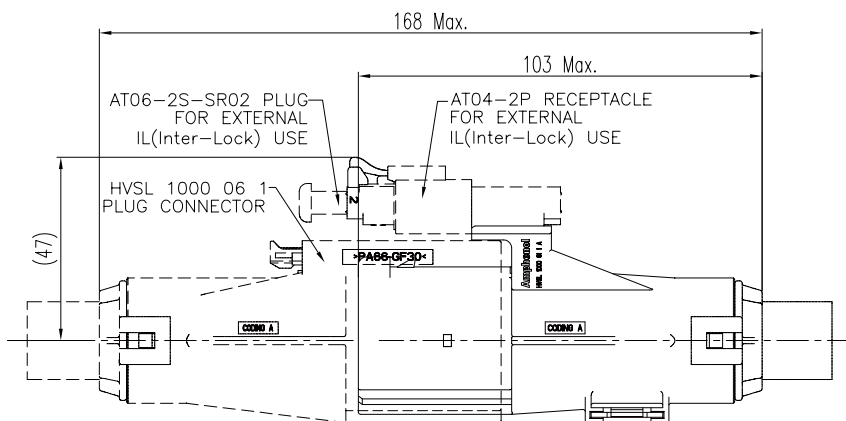
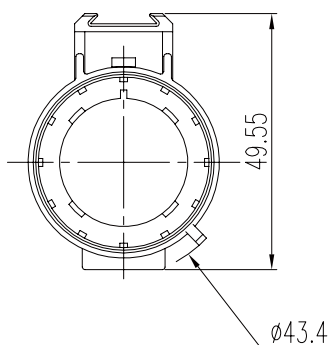
USCAR-2

USCAR-37

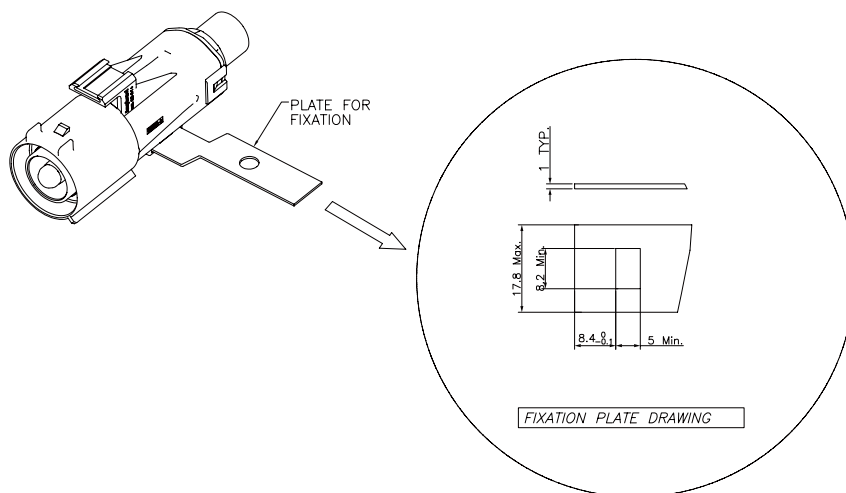
LV-215

RoHS

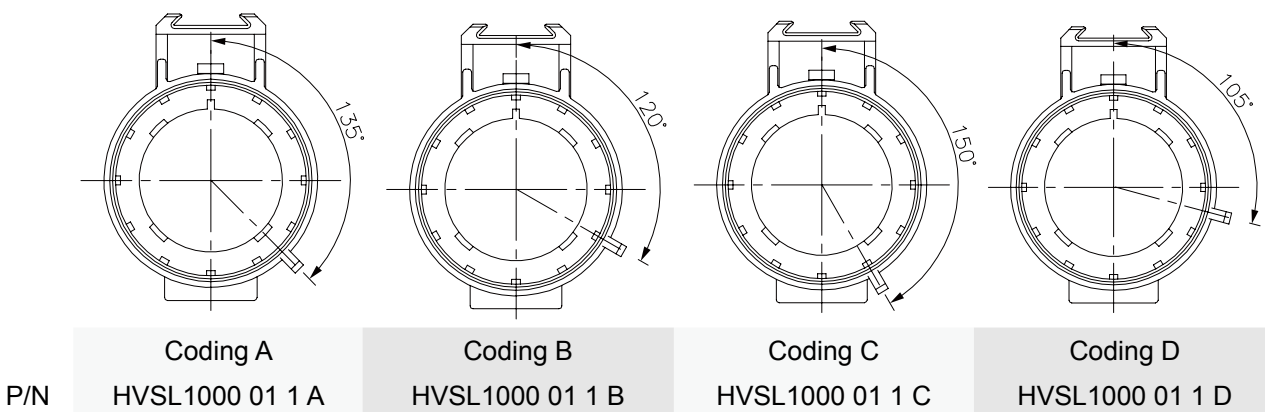
## RECEPTACLE IN-LINE



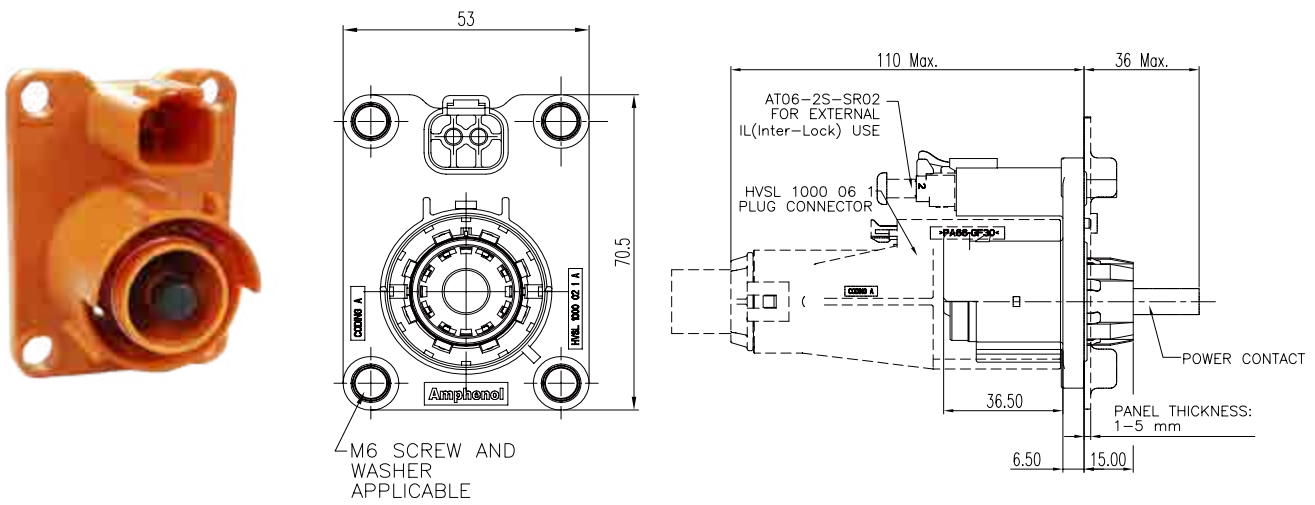
## MOUNTED GROOVE



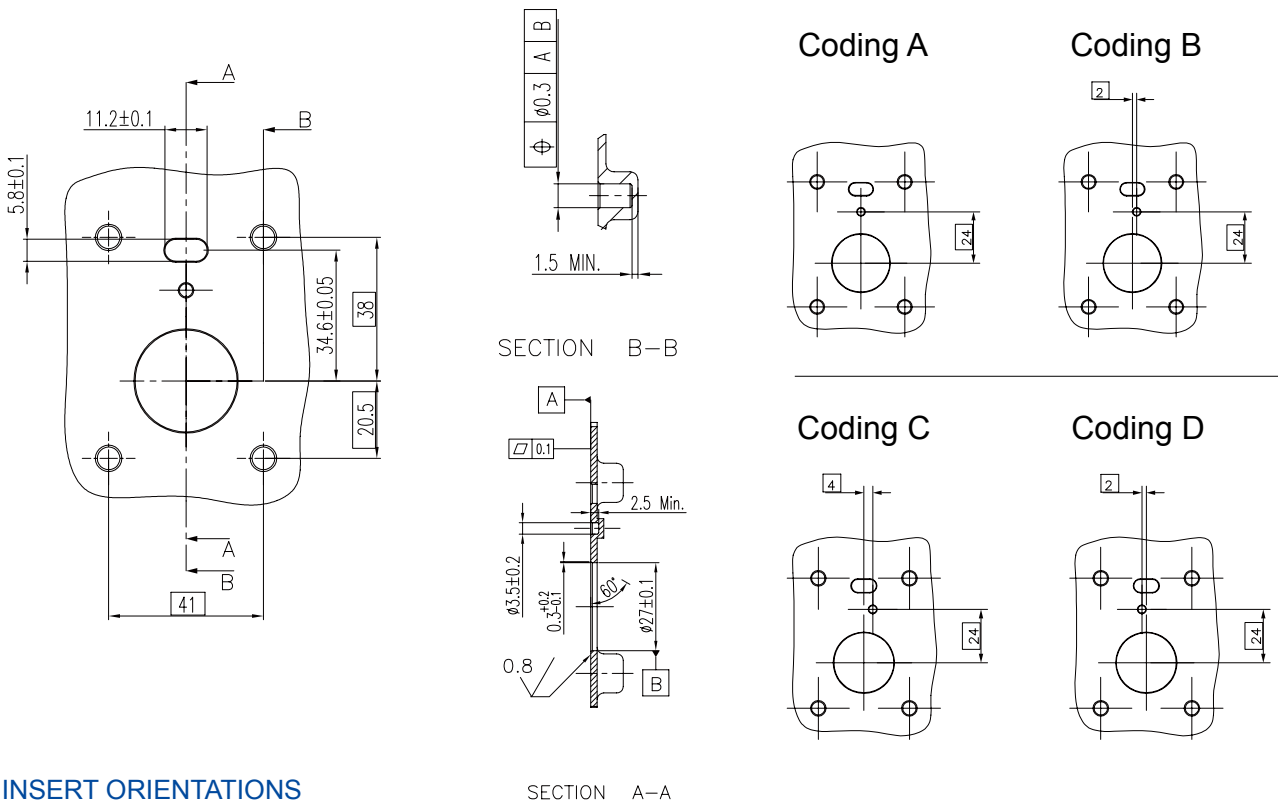
## INSERT ORIENTATIONS



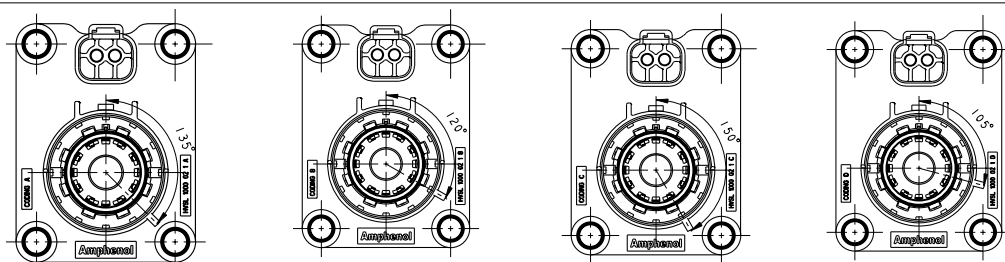
## RECEPTACLE BOX MOUNTED



## PANEL MOUNTING DIMENSIONS

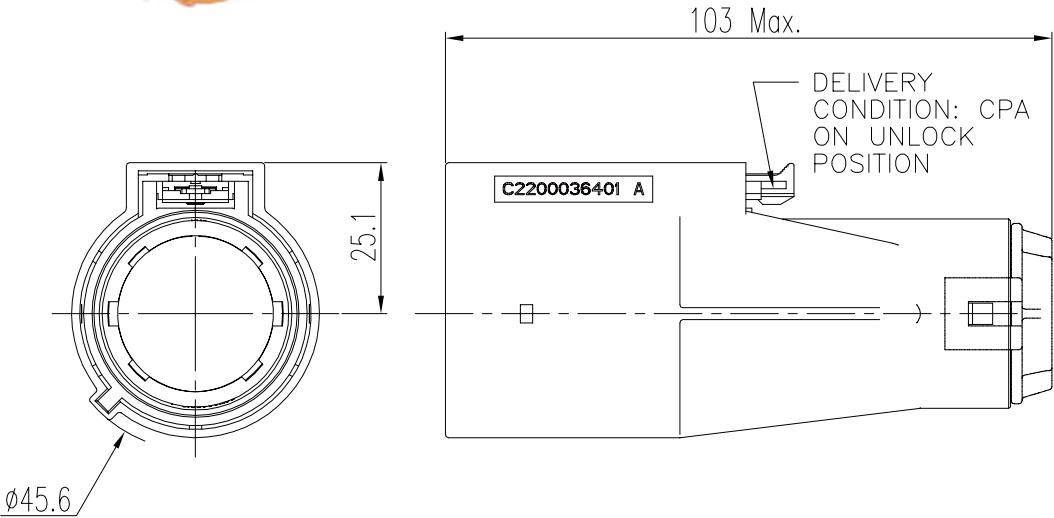


## INSERT ORIENTATIONS

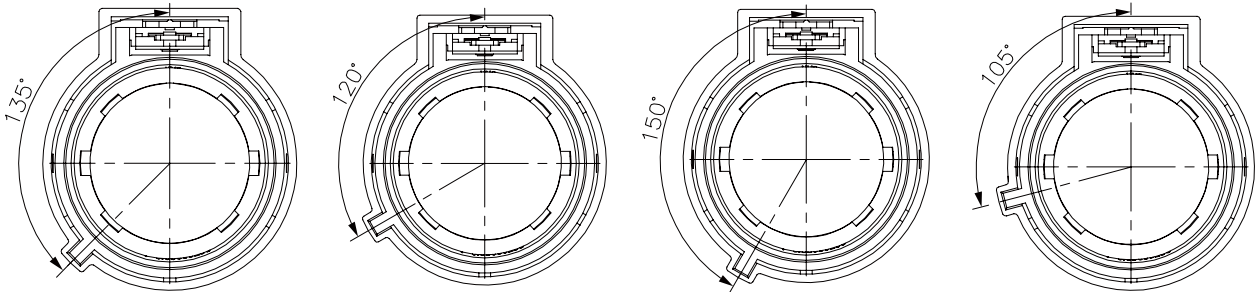


|     | Coding A        | Coding B        | Coding C        | Coding D        |
|-----|-----------------|-----------------|-----------------|-----------------|
| P/N | HVSL1000 02 1 A | HVSL1000 02 1 B | HVSL1000 02 1 C | HVSL1000 02 1 D |

PLUG

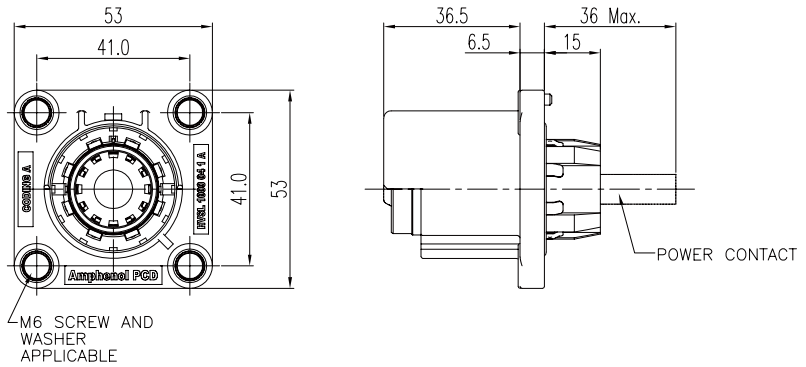


INSERT ORIENTATIONS

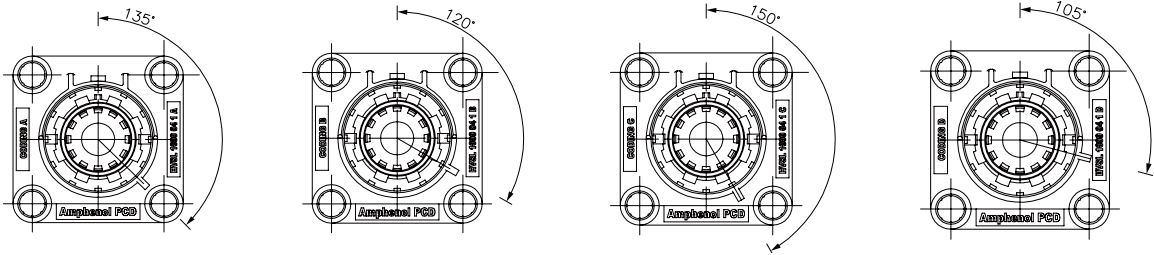


|     | Coding A        | Coding B        | Coding C        | Coding D        |
|-----|-----------------|-----------------|-----------------|-----------------|
| P/N | HVSL1000 06 1 A | HVSL1000 06 1 B | HVSL1000 06 1 C | HVSL1000 06 1 D |

## RECEPTACLE BOX MOUNTED **WITHOUT INTERLOCK**

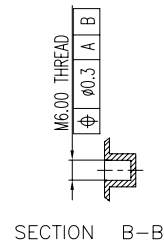
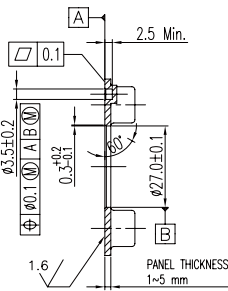
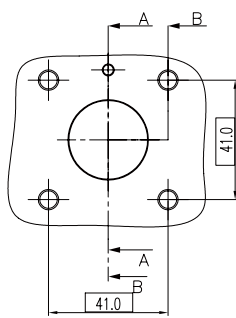


## INSERT ORIENTATIONS

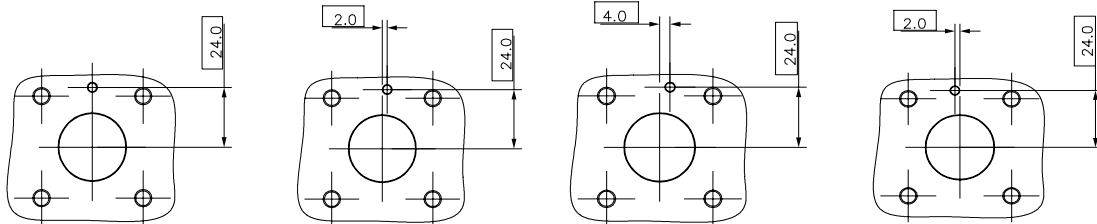


|     | Coding A        | Coding B        | Coding C        | Coding D        |
|-----|-----------------|-----------------|-----------------|-----------------|
| P/N | HVSL1000 04 1 A | HVSL1000 04 1 B | HVSL1000 04 1 C | HVSL1000 04 1 D |

## PANEL MOUNTING DIMENSIONS

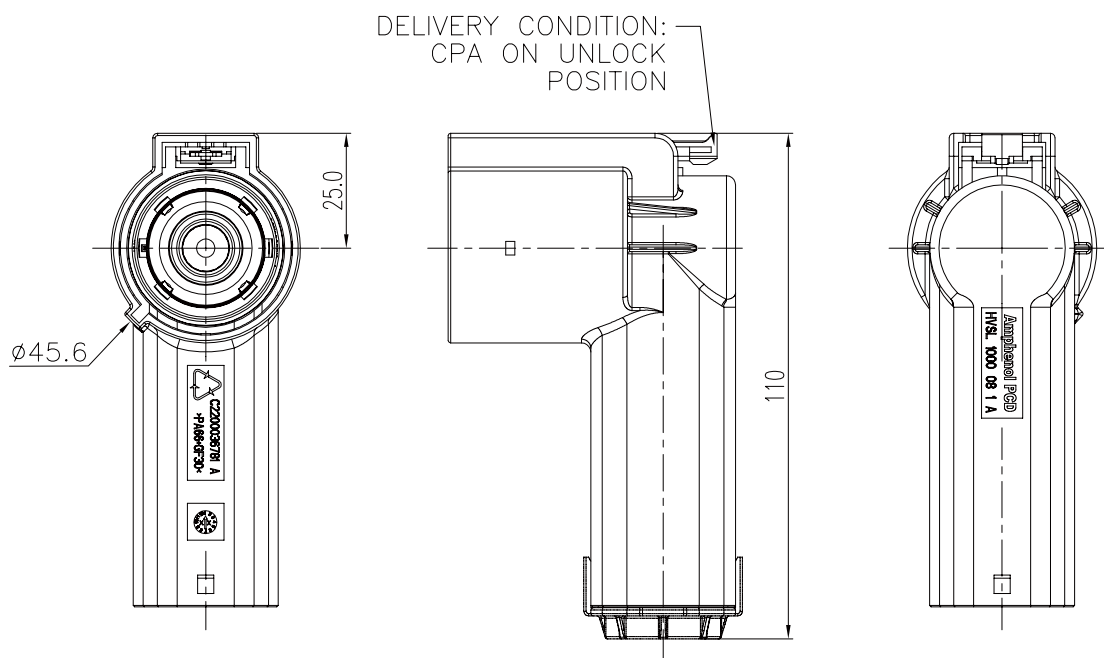


SECTION A-A

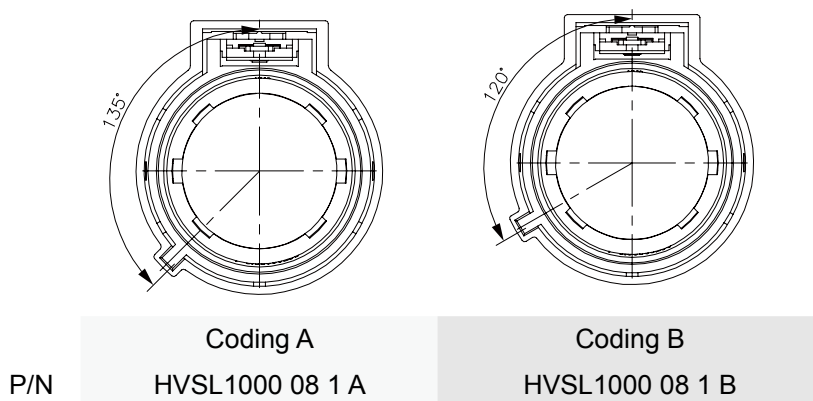


| Coding A | Coding B | Coding C | Coding D |
|----------|----------|----------|----------|
|----------|----------|----------|----------|

PLUG RIGHT ANGLE



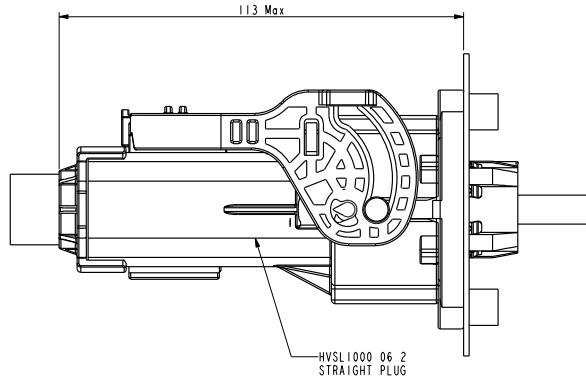
INSERT ORIENTATIONS



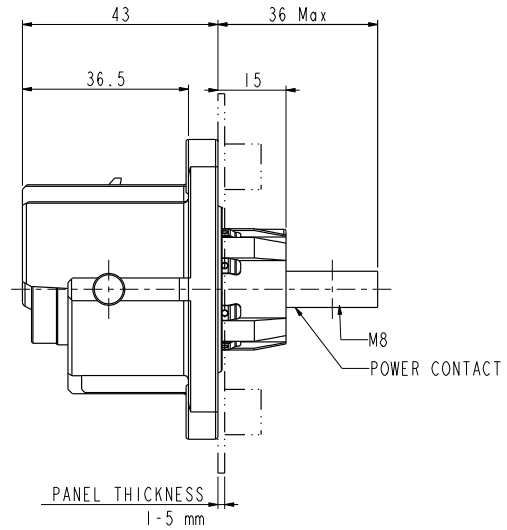
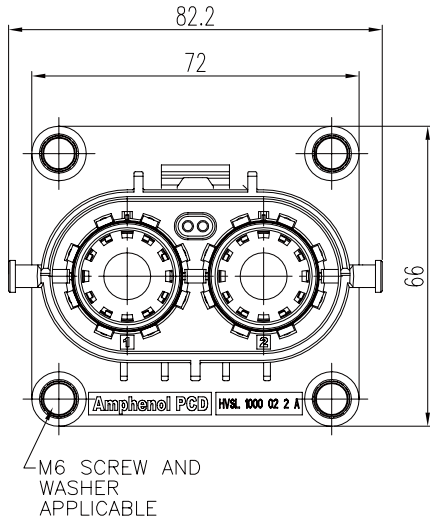


# Excel|Mate Plus (HVSL 1000)

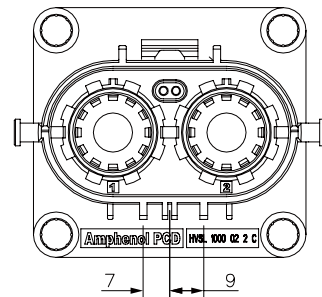
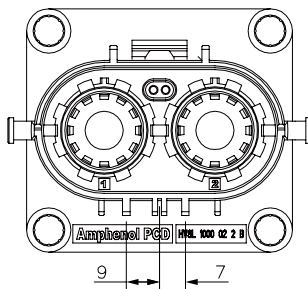
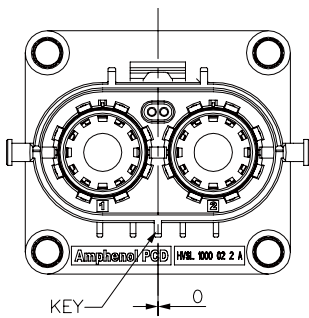
## 2 PIN RECEPTACLE BOX MOUNTED



CONNECTOR MATED OUTLINE

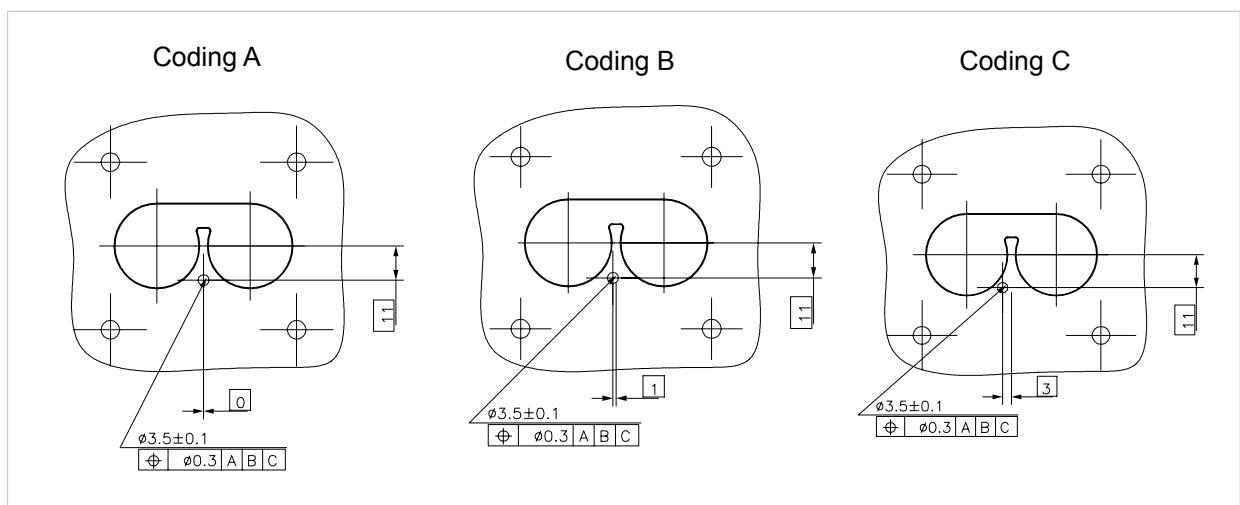
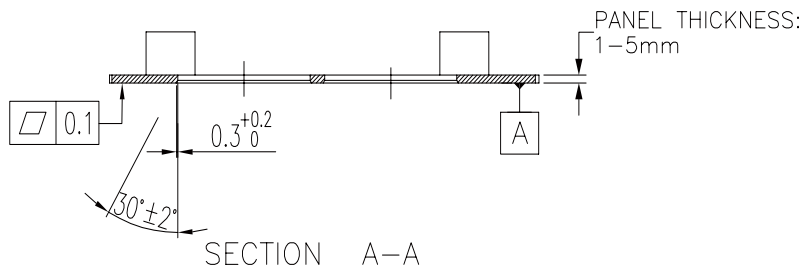
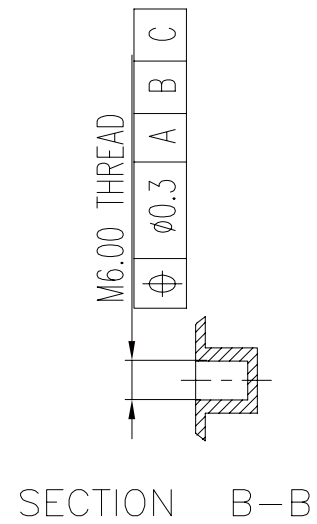
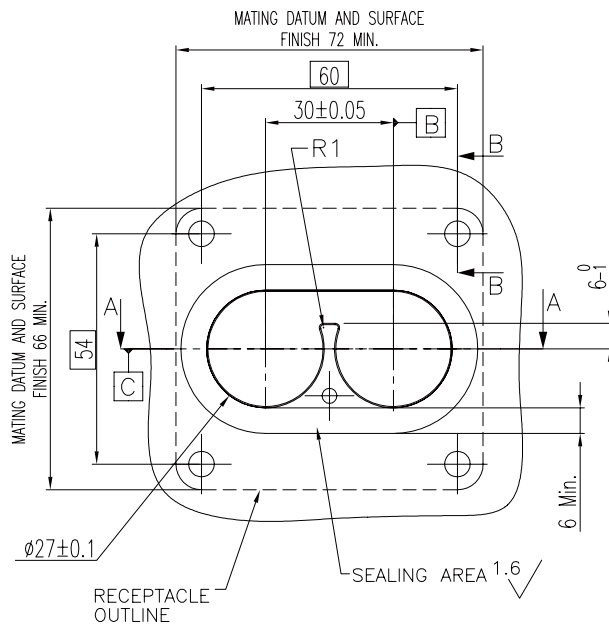


## INSERT ORIENTATIONS



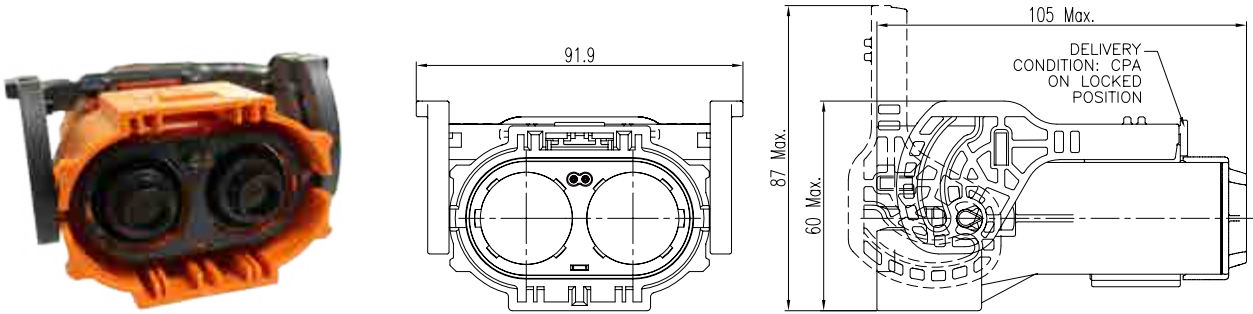
|     | Coding A        | Coding B        | Coding C        |
|-----|-----------------|-----------------|-----------------|
| P/N | HVSL1000 02 2 A | HVSL1000 02 2 B | HVSL1000 02 2 C |

PANEL MOUNTING DIMENSIONS

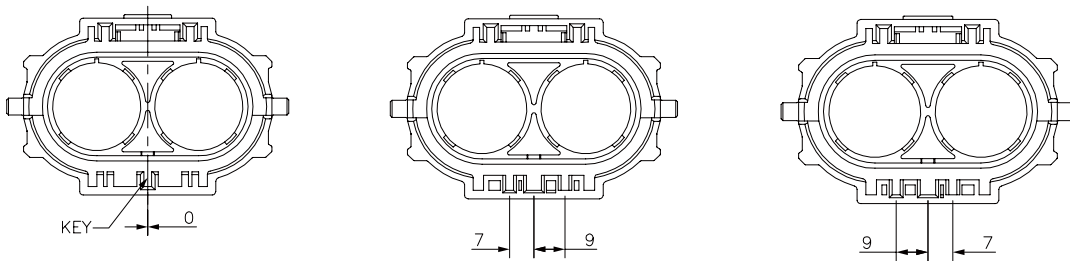


# ExcelMate Plus (HVSL 1000)

## 2 PIN PLUG

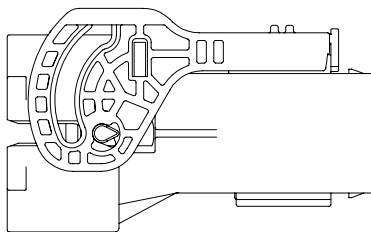


## INSERT ORIENTATIONS

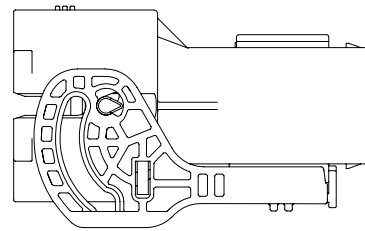


|     | Coding A        | Coding B        | Coding C        |
|-----|-----------------|-----------------|-----------------|
| P/N | HVSL1000 06 2 A | HVSL1000 06 2 B | HVSL1000 06 2 C |

## LEVER POSITION

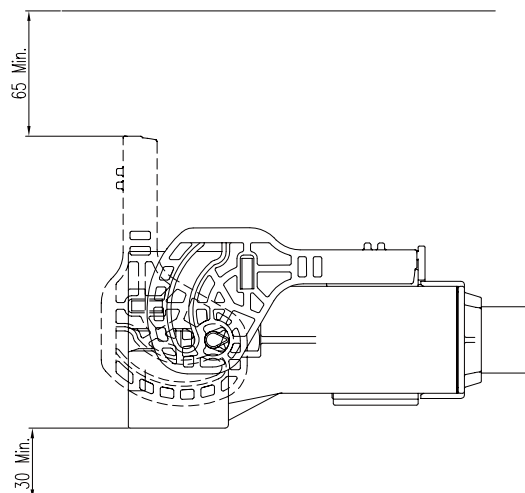


STANDARD LEVER

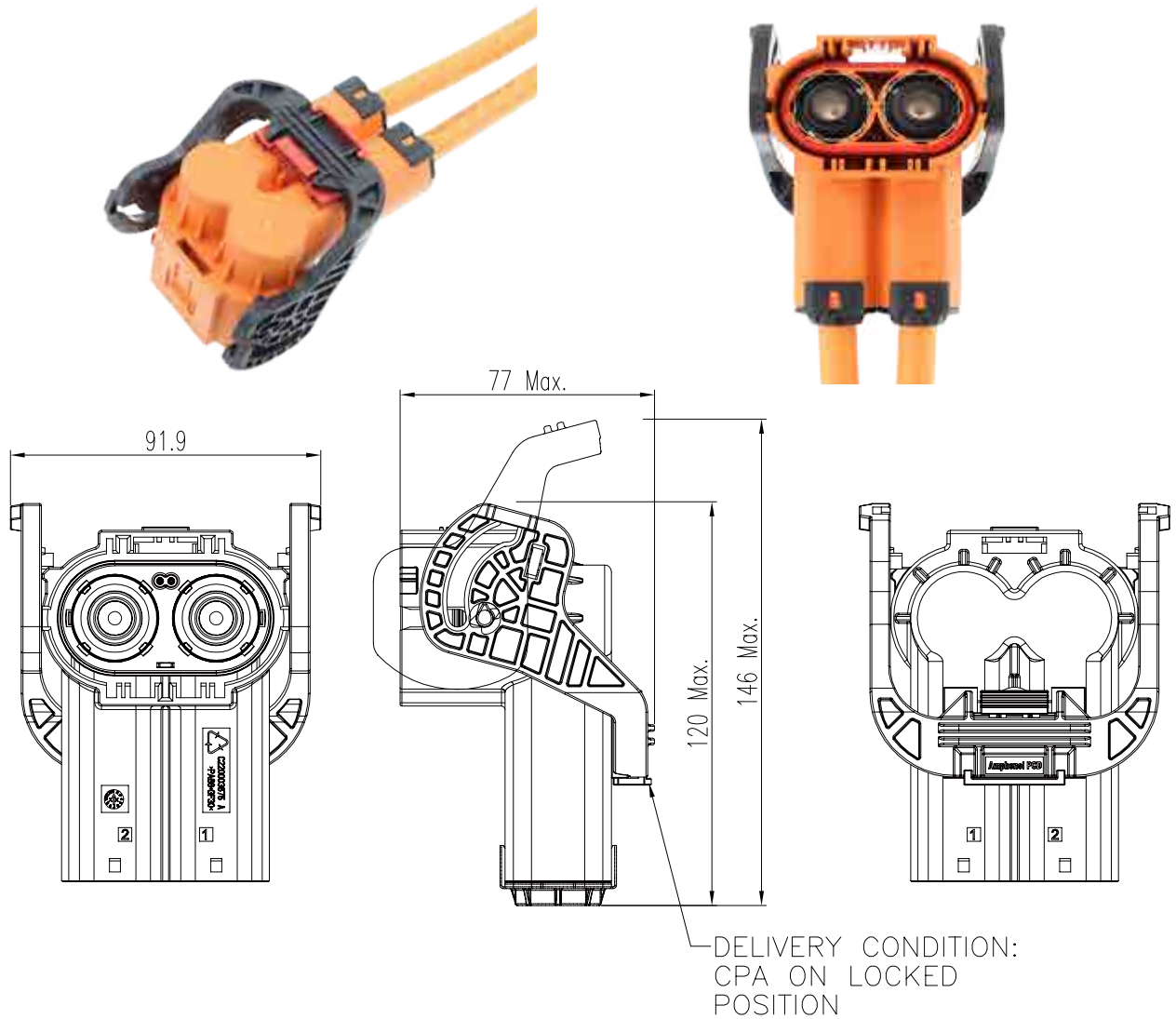


REVERSE LEVER

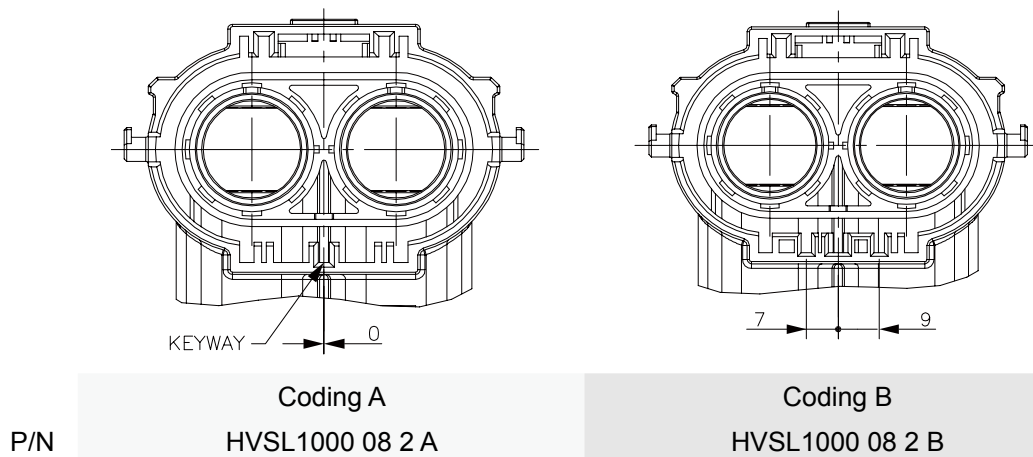
## INSTALLATION CLEARANCE



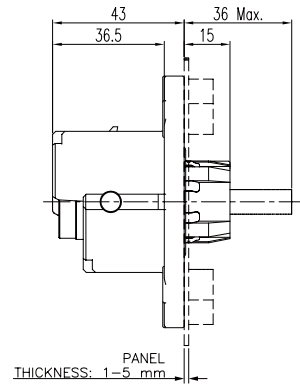
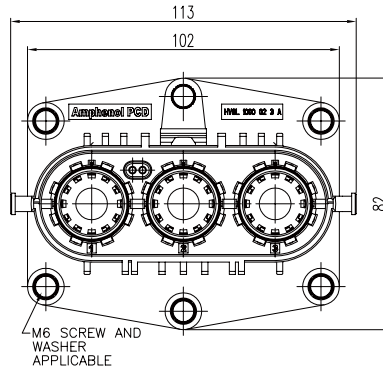
2 PIN PLUG RIGHT ANGLE



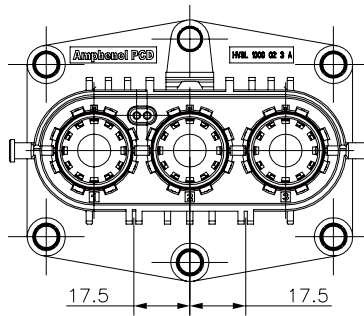
INSERT ORIENTATIONS



## 3 PIN RECEPTACLE BOX MOUNTED



## INSERT ORIENTATIONS

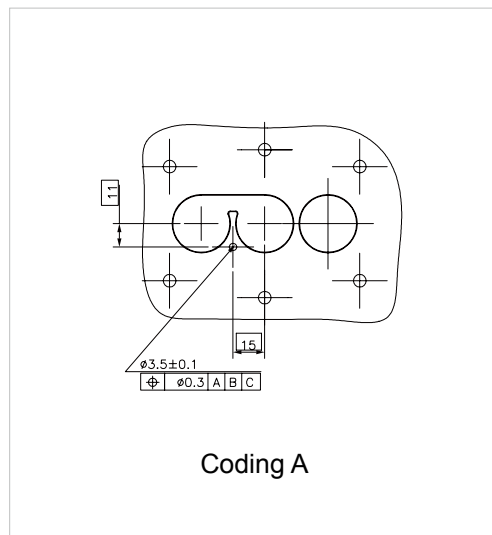
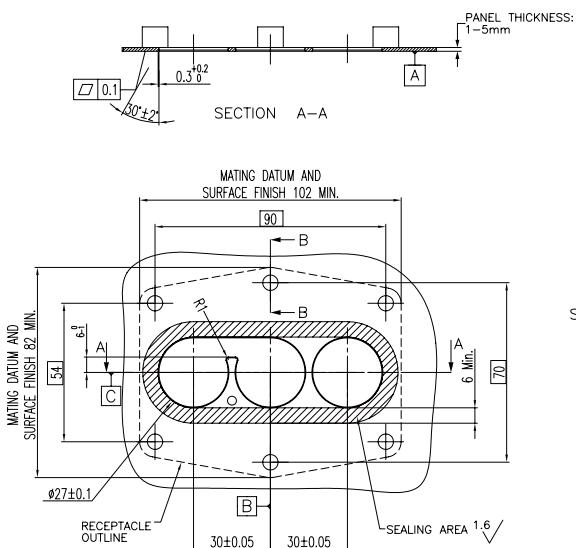


Coding A

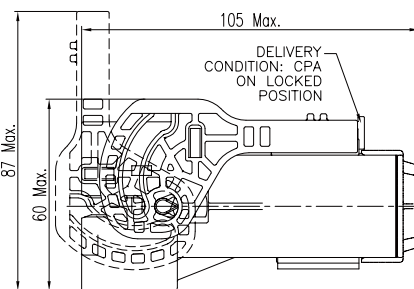
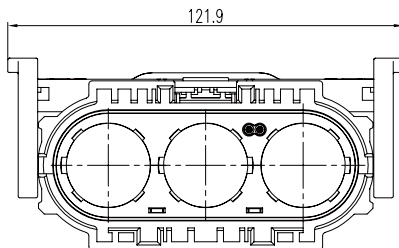
P/N

HVSL1000 02 3 A

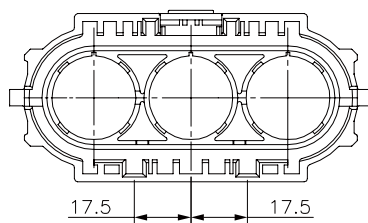
## PANEL MOUNTING DIMENSIONS



### 3 PIN PLUG



### INSERT ORIENTATIONS

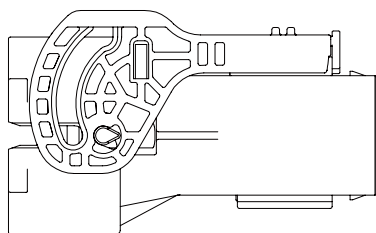


Coding A

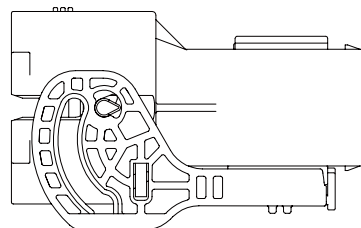
P/N

HVSL1000 06 3 A

### LEVER POSITION

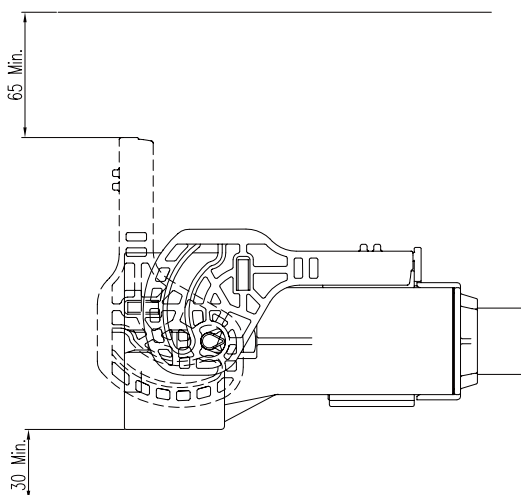


STANDARD LEVER



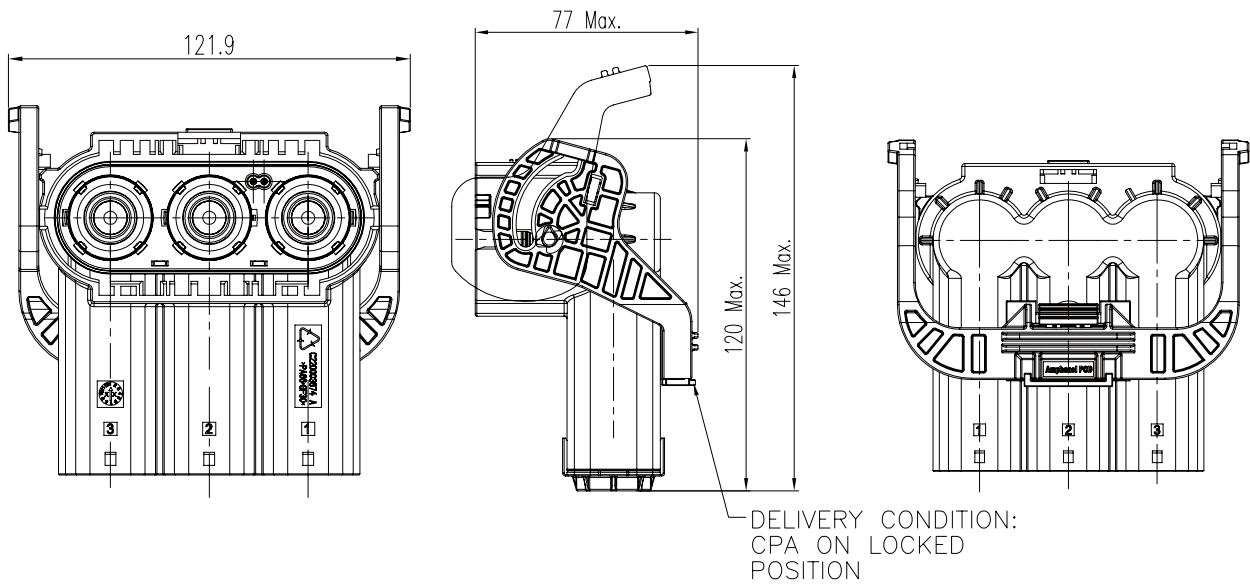
REVERSE LEVER

### INSTALLATION CLEARANCE

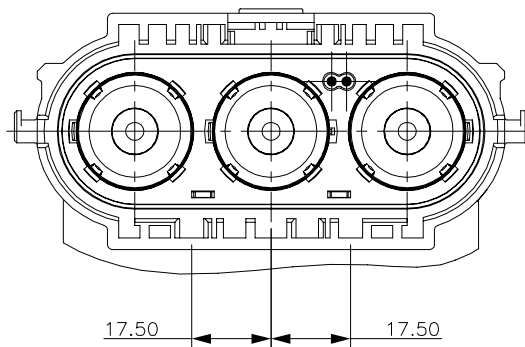


# Excel|Mate Plus (HVSL 1000)

## 3 PIN PLUG RIGHT ANGLE



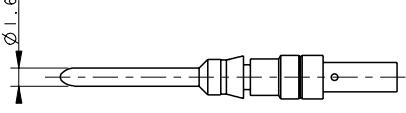
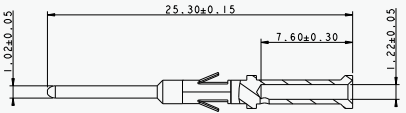
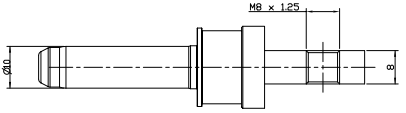
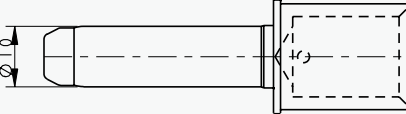
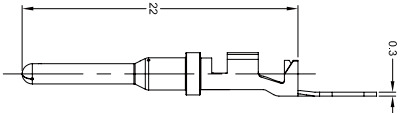
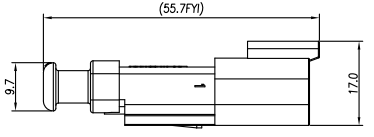
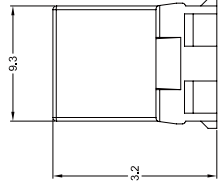
## INSERT ORIENTATIONS



P/N Coding A  
HVSL1000 08 3 A

## ATTACHMENT: CONTACTS FOR RECEPTACLE

All connectors include contacts. For extra contacts, please order them separately (ref: P/N below)

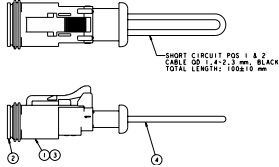
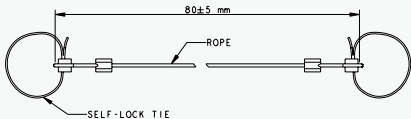
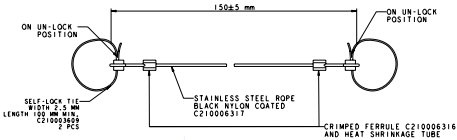
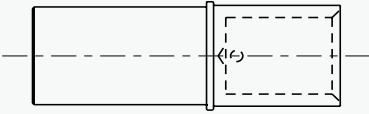
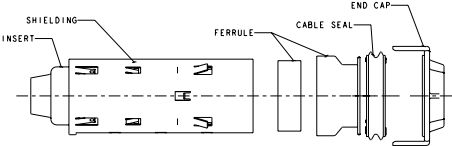
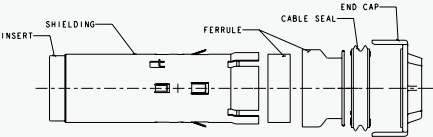
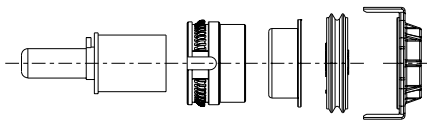
| Name  | Contact P/N & Wire Size  | Drawing   |
|---|--|---|
| 1 Pin Box mounted receptacle<br>for Interlock | C42000400504G<br><br>0.5mm <sup>2</sup> max wire   |    |
| 2 or 3 pin<br>for Interlock                   | C200003609<br><br>0.5mm <sup>2</sup> max wire  |    |
| Power contact<br>Thread for Bus-bar           | C4200036152  |   |
| Power contact<br>Crimp for wire               | C42000361511 - 70mm <sup>2</sup> wire<br>C42000361512 - 50mm <sup>2</sup> wire<br>C42000361513 - 35mm <sup>2</sup> wire<br>C42000361514 - 25mm <sup>2</sup> wire |  |
| 1 Pin: In-line receptacle<br>for Interlock    | AT60-16-0622<br><br>0.5mm <sup>2</sup> max wire  |  |
|   | AT04-2P-SR02BLK<br><br>0.5mm <sup>2</sup> max wire   |  |
|   | AW2P   |  |



# CONTACTS FOR RECEPTACLE

## ATTACHMENT: CONTACTS FOR PLUG

All connectors include contacts. For extra contacts, please order them separately (ref: P/N below)

| Name   | Contact P/N & Wire Size  | Drawing  |
|--|--|--|
| 1 Pin<br>HVIL plug   | C210003610   |    |
| 1 Pin (For In-line plug)<br>Rope for Interlock                 | C210003608<br>(Order with HVIL plug)   |    |
| 1 Pin (For R/A plug)<br>Rope for Interlock                     | C210003611<br>(Order with HVIL plug)   |   |
| Socket contact   | C4200036161 - 70mm <sup>2</sup> wire<br>C4200036162 - 50mm <sup>2</sup> wire<br>C4200036163 - 35mm <sup>2</sup> wire<br>C4200036164 - 25mm <sup>2</sup> wire |  |
| Kit of socket insert<br>For plug                               | C4220036011 - 70mm <sup>2</sup> wire<br>C4220036012 - 50mm <sup>2</sup> wire<br>C4220036013 - 35mm <sup>2</sup> wire<br>C4220036014 - 25mm <sup>2</sup> wire |  |
| Kit of socket insert<br>For receptacle in-line                 | C4220036021 - 70mm <sup>2</sup> wire<br>C4220036022 - 50mm <sup>2</sup> wire<br>C4220036023 - 35mm <sup>2</sup> wire<br>C4220036024 - 25mm <sup>2</sup> wire |  |
| Power contact - rear<br>Crimp for wire<br>for right angle plug | C4220036031 - 70mm <sup>2</sup> wire<br>C4220036032 - 50mm <sup>2</sup> wire<br>C4220036033 - 35mm <sup>2</sup> wire<br>C4220036034 - 25mm <sup>2</sup> wire |  |

HVSL 1000 | PRODUCT SERIES OVERVIEW

Single pin  
(HVIL External)



In-line receptacle



In-line plug

Single pin  
(Without HVIL)



2 pin  
(HVIL Integrated)



3 pin  
(HVIL Integrated)



# HOW TO ORDER (HVSL 1000)

## HOW TO ORDER: PLUG

|   |    |   |   |   |    |
|---|----|---|---|---|----|
| HVSL1000  | 06 | 1 | A | 0 | 35 |
| <b>Product type:</b><br>06: Straight plug   08: Right angle plug  |    |   |   |   |    |
| <b>Position:</b><br>1: 1 position   2: 2 position   3: 3 position   |    |   |   |   |    |
| <b>Coding / Alternate position:</b><br>A: Coding A<br>B: Coding B (Only for 2 & 3 positions)<br>C: Coding C (Only for 2 & 3 positions)<br>D: Coding D (Only for 1 position) |    |   |   |   |    |
| <b>Interlock:</b><br>0: Without interlock   1: With interlock   |    |   |   |   |    |
| <b>Cable size:</b><br>25: 25mm <sup>2</sup> cable   35: 35mm <sup>2</sup> cable   50: 50mm <sup>2</sup> cable   70: 70mm <sup>2</sup> cable                                 |    |   |   |   |    |

## HOW TO ORDER: RECEPTACLE

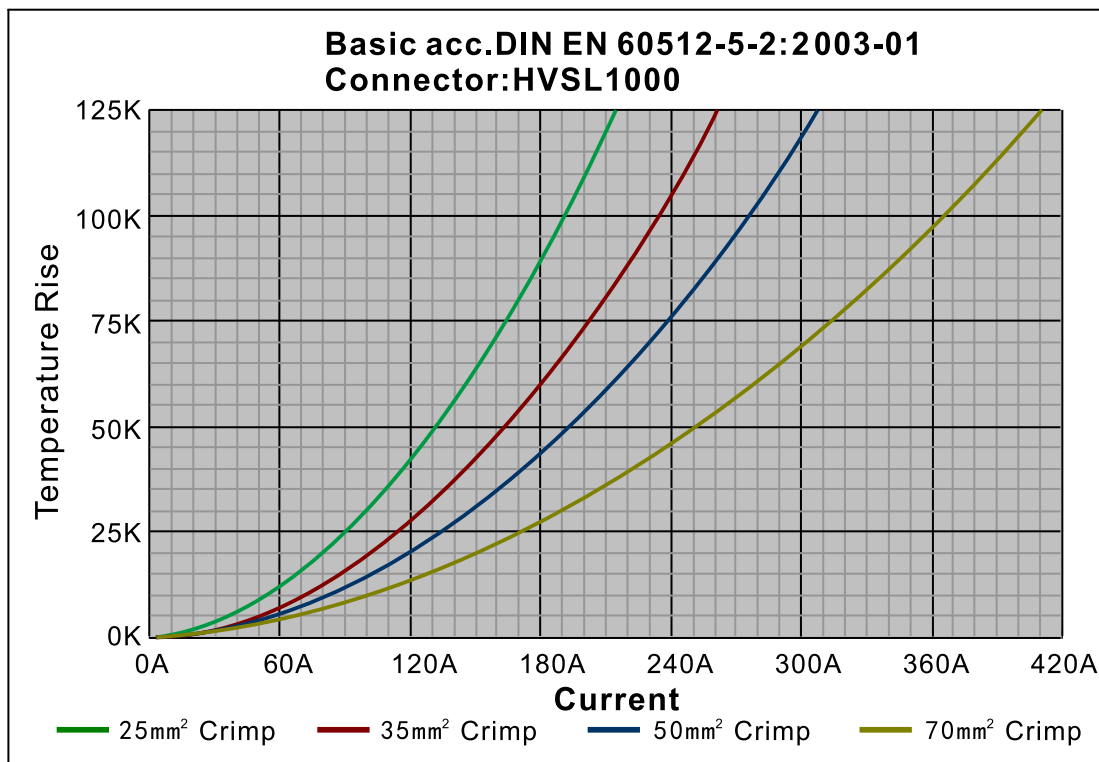
|   |    |   |   |   |    |
|---|----|---|---|---|----|
| HVSL1000  | 01 | 1 | A | 0 | H8 |
| <b>Product type:</b><br>01: In-line receptacle<br>02: Box mounted receptacle<br>04: Box mounted receptacle without Interlock  |    |   |   |   |    |
| <b>Position:</b><br>1: 1 position   2: 2 position   3: 3 position   |    |   |   |   |    |
| <b>Coding / Alternate position:</b><br>A: Coding A<br>B: Coding B (Only for 2 & 3 positions)<br>C: Coding C (Only for 2 & 3 positions)<br>D: Coding D (Only for 1 position) |    |   |   |   |    |
| <b>Interlock:</b><br>0: Without interlock   1: With interlock   |    |   |   |   |    |
| <b>Cable size:</b><br>H8: OT terminal   |    |   |   |   |    |

## EXTRACTION TOOL FOR RECEPTACLE

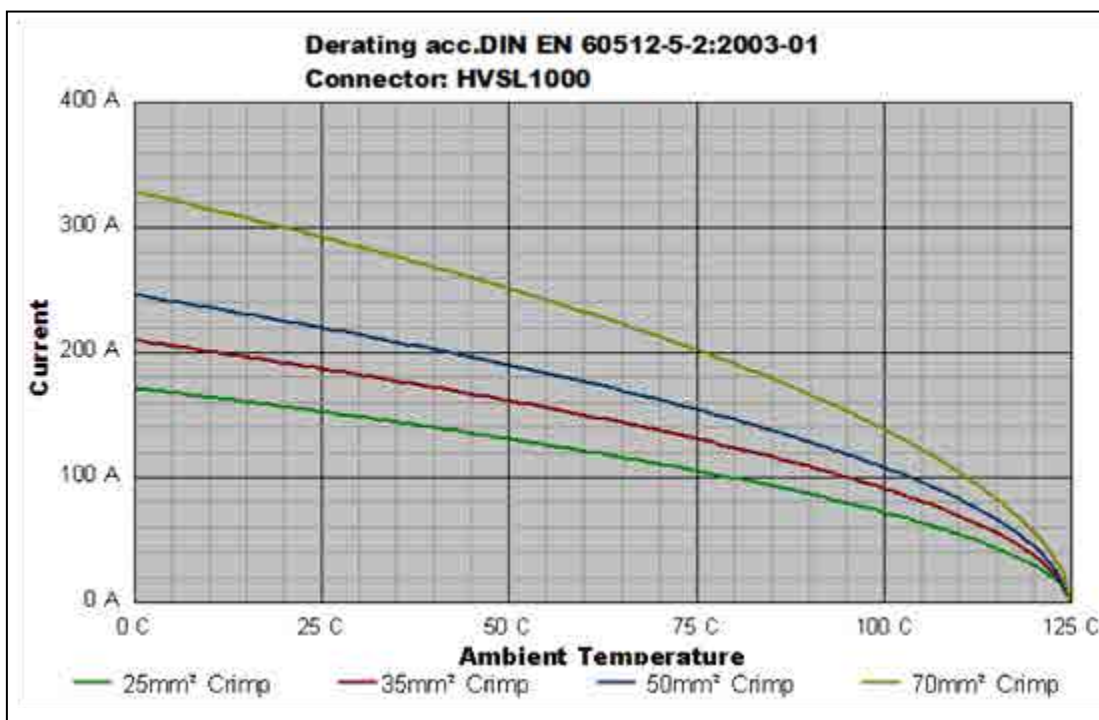
HVIL-contact Extraction tool: HVTOOL10R



HVSL 1000 | Temperature Rise



HVSL 1000 | Derating Curve



Remark: tests carried out on the complete connector.

# Excel|Mate S (HVSL 800)

## Excel|Mate S



### Excel|Mate S

Excel|Mate S is a 2 pin and 3 pin connector with a current carrying capacity from 120 to 180A and 25 to 50 mm<sup>2</sup> crimping cable.

Specially designed for battery, inverters, junction boxes, power distribution boxes and others xEV devices' equipment.

### KEY FEATURES

- Integrated internal HVIL
- Current rating up to 180A
- No tool required to unmate
- Sealing, IP67 , IP6K9K
- Touch-proof, IP2XB
- Multiple coding positions
- CPA available

### MECHANICAL

|                                |  |
|--------------------------------|--|
| Durability                     | ≥ 50 mating cycles                     |
| Wire range                     | 25 to 50 mm <sup>2</sup> shielded wire |
| Insertion and extraction force | < 100N                                 |
| Connection type                | Copper bar                             |
| HVIL                           | Integrated                             |
| CPA                            | CPA                                    |

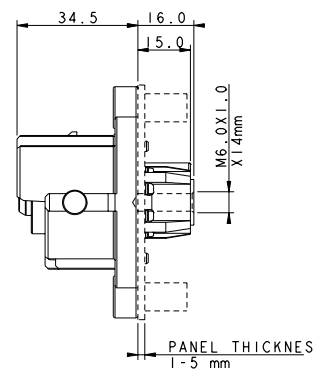
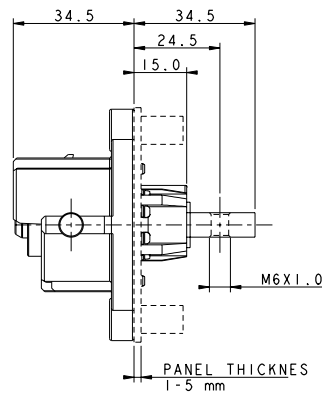
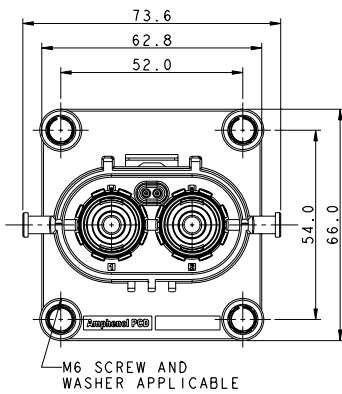
### ELECTRICAL

|                              |                                     |
|------------------------------|-------------------------------------|
| Rated voltage                | 1000V DC                            |
| Rated current                | Max 180A @ ambient temperature 70°C |
| Insulator resistance         | > 200MΩ                             |
| Dielectric withstand voltage | 3000V AC                            |
| Shielding                    | 360° from wire to device            |

### ENVIRONMENTAL

|                   |                      |
|-------------------|----------------------|
| Sealing           | IP67, IP6K9K (mated) |
| Touch-proof       | IP2XB                |
| Temperature range | -40°C to 125°C       |

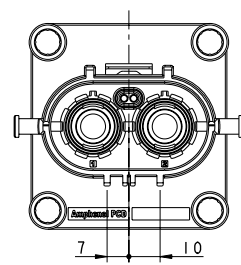
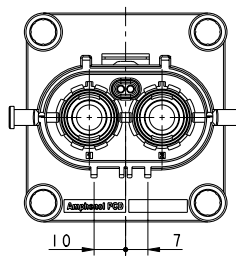
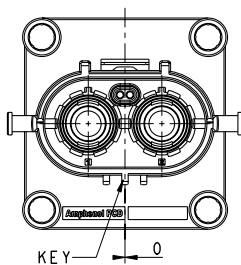
2 PIN RECEPTACLE



POWER CONTACT  
HOLE TERMINATION

POWER CONTACT  
SCREW TERMINATION - INTERNAL

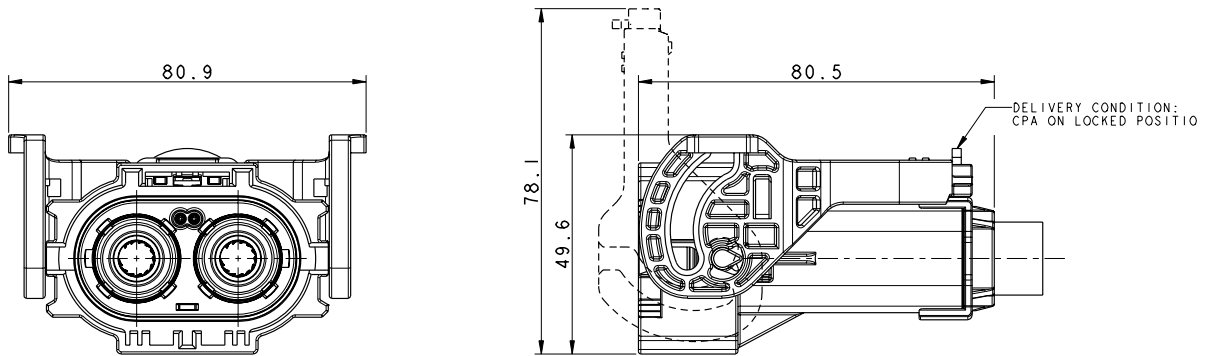
INSERT ORIENTATIONS



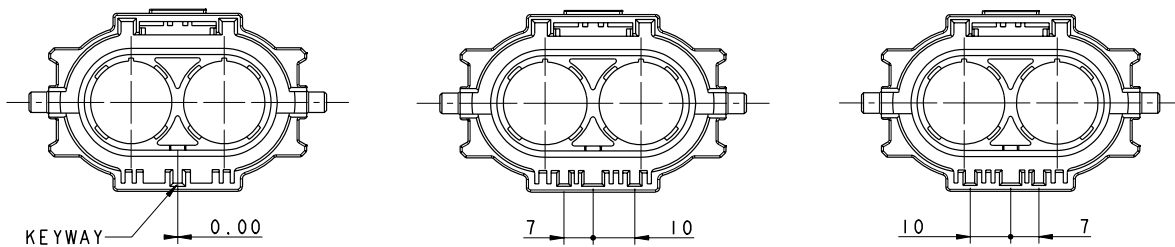
|     | Coding A       | Coding B       | Coding C       |
|-----|----------------|----------------|----------------|
| P/N | HVSL800 02 2 A | HVSL800 02 2 B | HVSL800 02 2 C |

# Excel|Mate S (HVSL 800)

## 2 PIN STRAIGHT PLUG

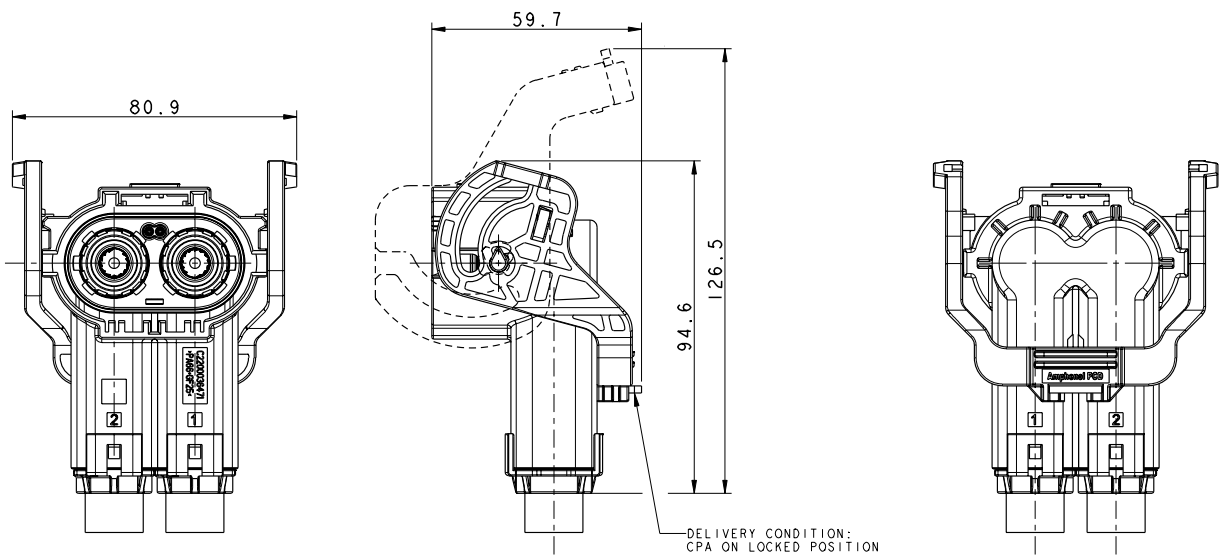


## INSERT ORIENTATIONS

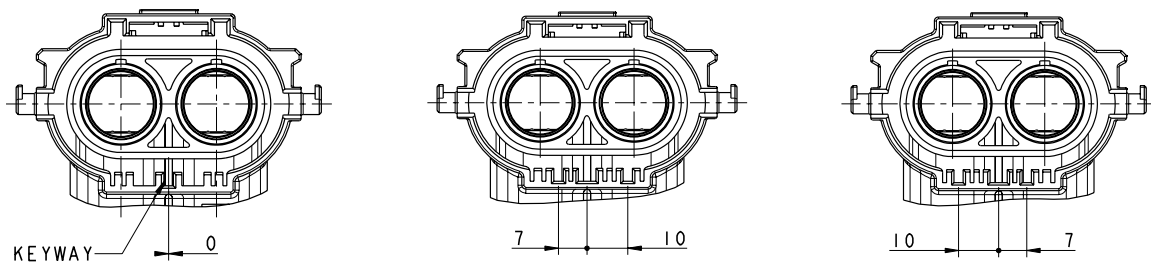


|     | Coding A       | Coding B       | Coding C       |
|-----|----------------|----------------|----------------|
| P/N | HVSL800 06 2 A | HVSL800 06 2 B | HVSL800 06 2 C |

2 PIN RIGHT ANGLE PLUG



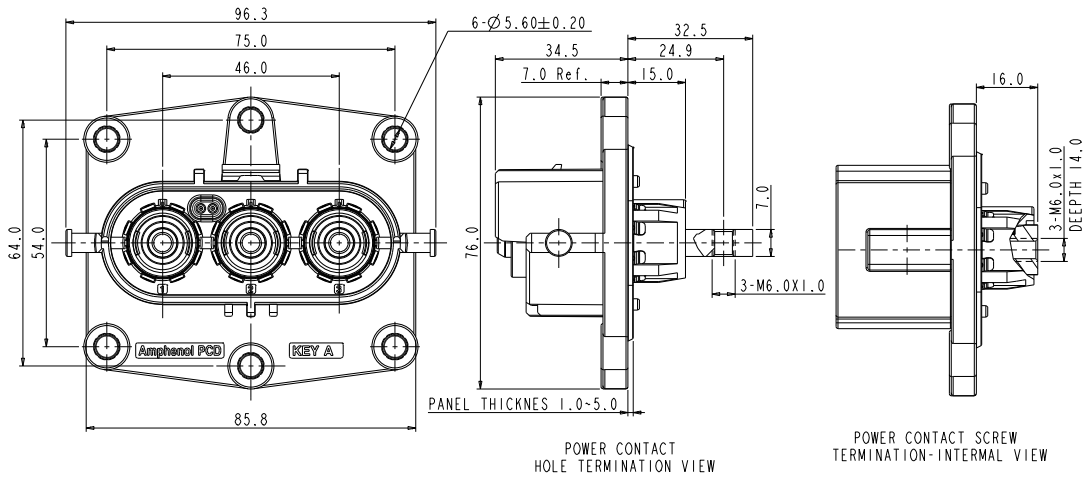
INSERT ORIENTATIONS



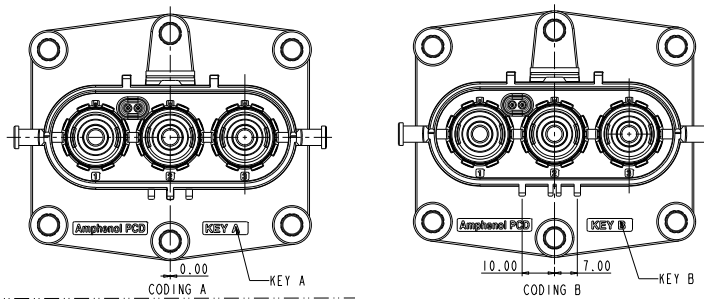
|     | Coding A       | Coding B       | Coding C       |
|-----|----------------|----------------|----------------|
| P/N | HVSL800 08 2 A | HVSL800 08 2 B | HVSL800 08 2 C |



3 PIN RECEPTACLE

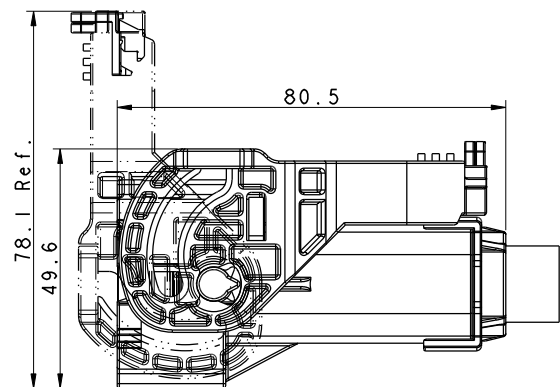
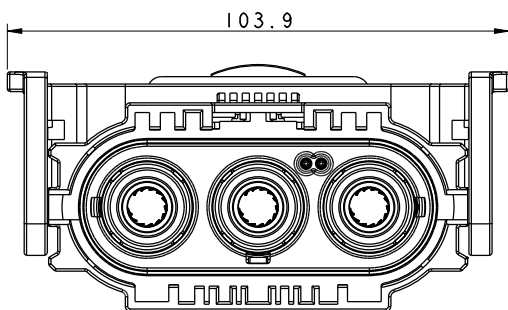


INSERT ORIENTATIONS

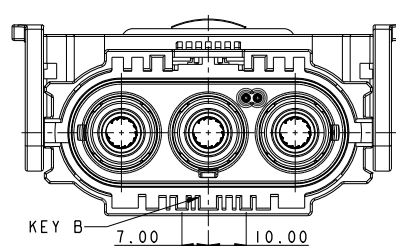
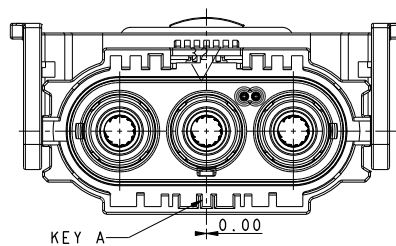


|     | Coding A       | Coding B       |
|-----|----------------|----------------|
| P/N | HVSL800 02 3 A | HVSL800 02 3 B |

3 PIN STRAIGHT PLUG



INSERT ORIENTATIONS

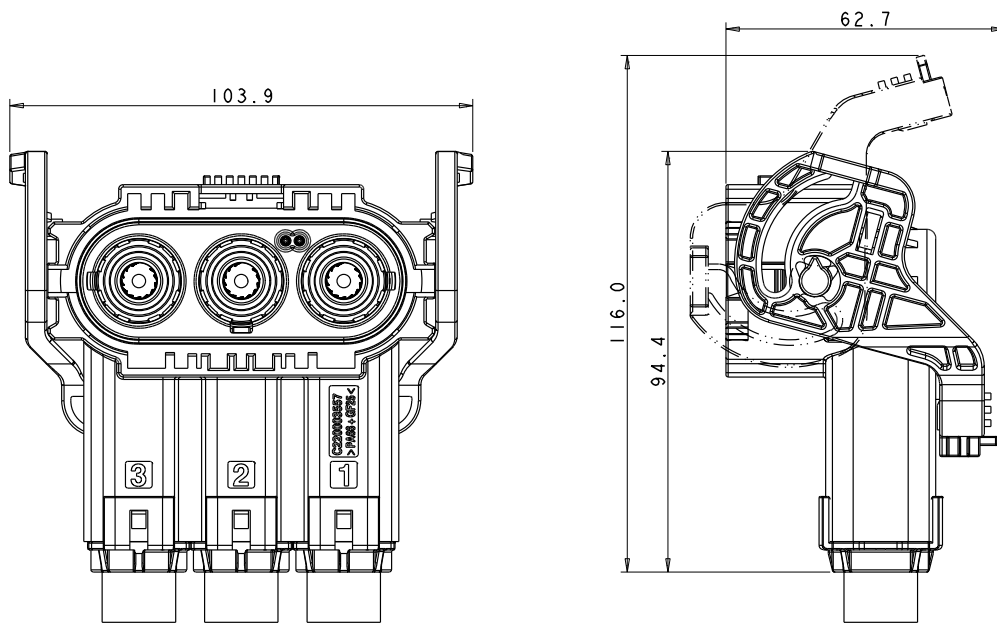


P/N      Coding A  
            HVSL800 06 3 A

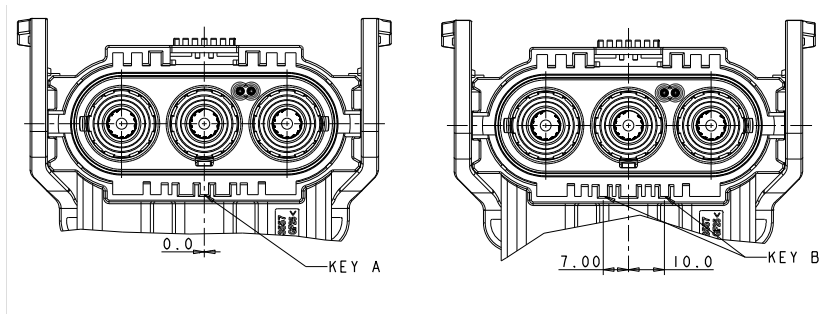
            Coding B  
            HVSL800 06 3 B

# Excel|Mate S (HVSL 800)

## 3 PIN RIGHT ANGLE PLUG

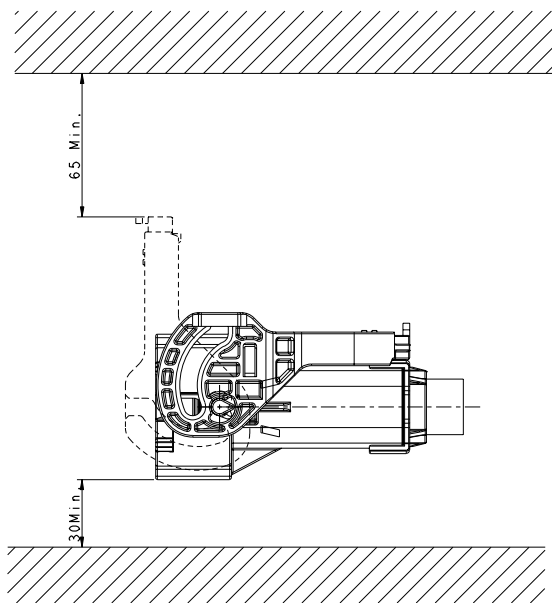


## INSERT ORIENTATIONS



|     | A              | B              |
|-----|----------------|----------------|
| P/N | HVSL800 08 3 A | HVSL800 08 3 B |

## INSTALLATION CLEARANCE



## EXTRACTION TOOL FOR RECEPTACLE

### HVIL-contact Extraction tool: HVTOOL10R



## HOW TO ORDER: PLUG

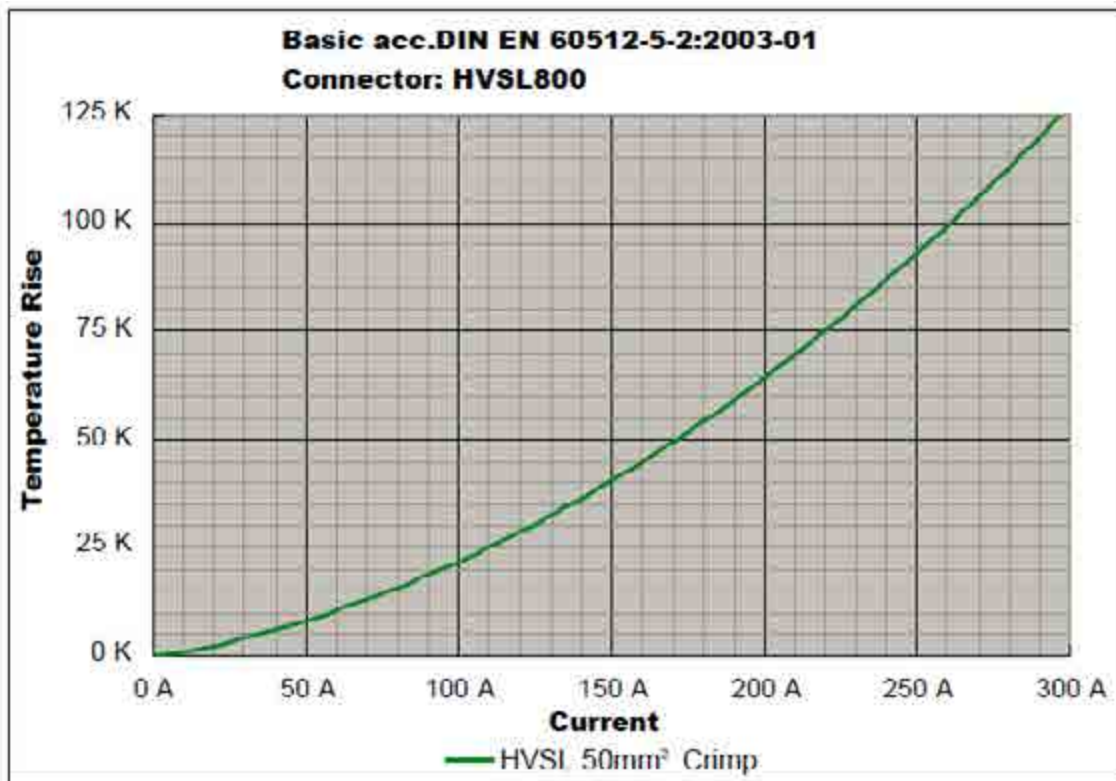
|   |    |   |   |   |    |
|---|----|---|---|---|----|
| HVSL800   | 06 | 2 | A | 0 | 50 |
| <b>Product type:</b>  |    |   |   |   |    |
| 06: Straight plug   08: Right angle plug  |    |   |   |   |    |
| <b>Position:</b>  |    |   |   |   |    |
| 2: 2 position   3: 3 position   |    |   |   |   |    |
| <b>Coding / Alternate position:</b>   |    |   |   |   |    |
| A: Coding A   B: Coding B   C: Coding C (Only for 2 position)                           |    |   |   |   |    |
| <b>Interlock:</b>   |    |   |   |   |    |
| 0: Without interlock   1: With interlock  |    |   |   |   |    |
| <b>Cable size:</b>  |    |   |   |   |    |
| 25: 25mm <sup>2</sup> cable   35: 35mm <sup>2</sup> cable   50: 50mm <sup>2</sup> cable |    |   |   |   |    |

## HOW TO ORDER: RECEPTACLE

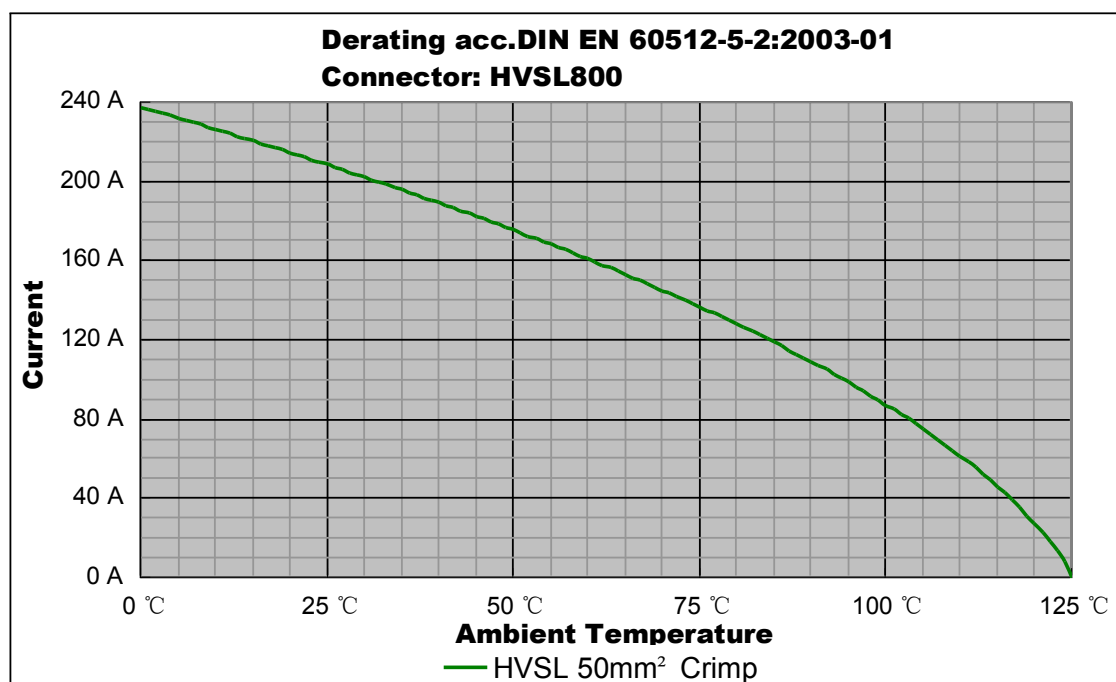
|   |    |   |   |   |    |
|---|----|---|---|---|----|
| HVSL800   | 02 | 2 | A | 0 | H6 |
| <b>Product type:</b>  |    |   |   |   |    |
| 02: Box mounted receptacle                                      |    |   |   |   |    |
| <b>Position:</b>  |    |   |   |   |    |
| 2: 2 position   3: 3 position                                   |    |   |   |   |    |
| <b>Coding / Alternate position:</b>                             |    |   |   |   |    |
| A: Coding A   B: Coding B   C: Coding C (Only for 2 positions)  |    |   |   |   |    |
| <b>Interlock:</b>   |    |   |   |   |    |
| 0: Without interlock   1: With interlock                        |    |   |   |   |    |
| <b>Cable size:</b>  |    |   |   |   |    |
| H6: Copper bar, OT terminal   D6: Screw (Internal), OT terminal |    |   |   |   |    |

# CHARTS (HVSL 800)

## HVSL 800 | Temperature Rise



## HVSL 800 | Derating Curve



Remark: tests carried out on the complete connector.

## Excel|Mate Metal: 2 PIN & 3 PIN CONNECTOR



### Excel|Mate Metal

Excel|Mate Metal is a 2 pin and 3 pin connector with current carrying capacity from 80 to 120A and 16 to 25mm<sup>2</sup> crimping cable.

Specially designed for battery, inverters, junction boxes, power distribution boxes and others xEV devices' equipment.

### KEY FEATURES

Integrated internal HVIL

Current rating up to 120A

No tool required to unmate

Sealing, IP67 (mated), IP6K9K

Touch-proof, IP2XB

Multiple coding positions

CPA available

### MECHANICAL

|                                |  |
|--------------------------------|--|
| Durability                     | ≥ 50 mating cycles                     |
| Wire range                     | 16 to 25 mm <sup>2</sup> shielded wire |
| Insertion and extraction force | < 100N                                 |
| Connection type                | Copper bar                             |
| HVIL                           | Integrated                             |
| CPA                            | Available                              |

### ELECTRICAL

|                              |                                     |
|------------------------------|-------------------------------------|
| Rated voltage                | 1000V DC                            |
| Rated current                | 120A Max @ ambient temperature 70°C |
| Insulator resistance         | > 200MΩ                             |
| Dielectric withstand voltage | 3000V AC                            |
| Shielding                    | 360° from wire to device            |

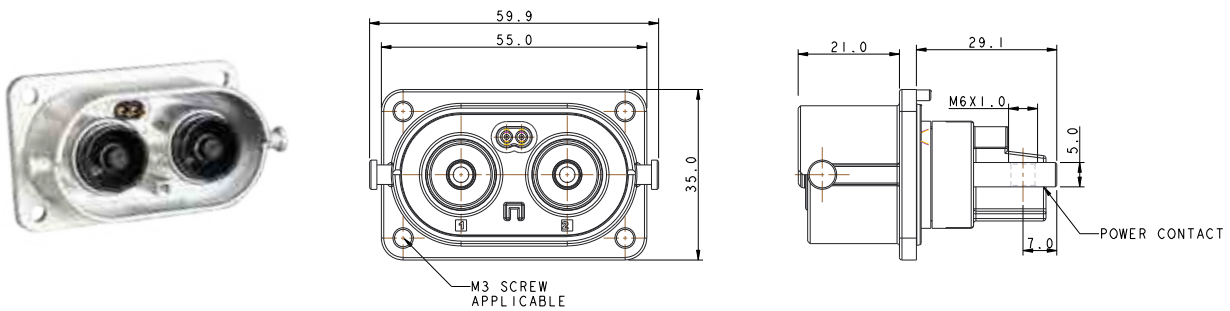
### ENVIRONMENTAL

|                   |                      |
|-------------------|----------------------|
| Sealing           | IP67, IP6K9K (mated) |
| Touch-proof       | IP2XB                |
| Temperature range | -40°C to 125°C       |
| Salt spray        | 96 hours             |

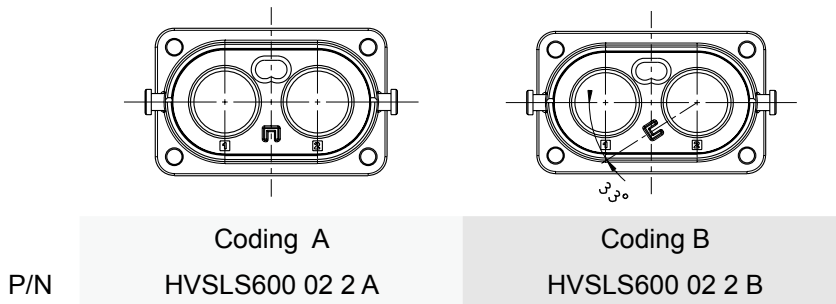
### MATERIAL

|           |   |
|-----------|---|
| Terminals | Copper/copper alloy with silver plating |
| Housing   | Zinc alloy                              |

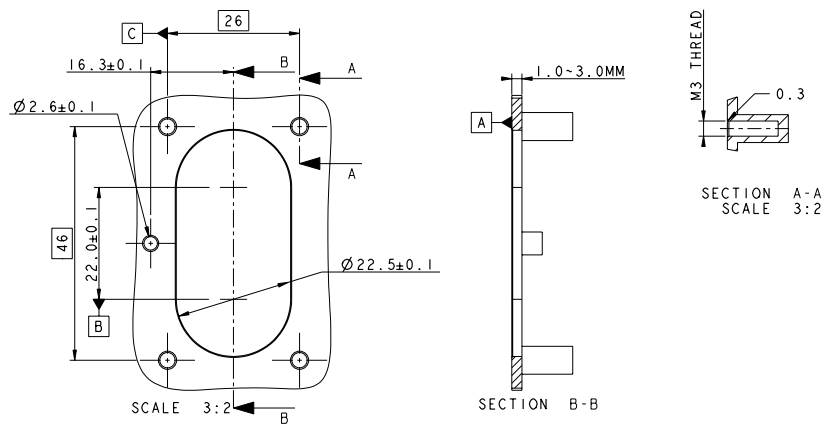
2 PIN RECEPTACLE



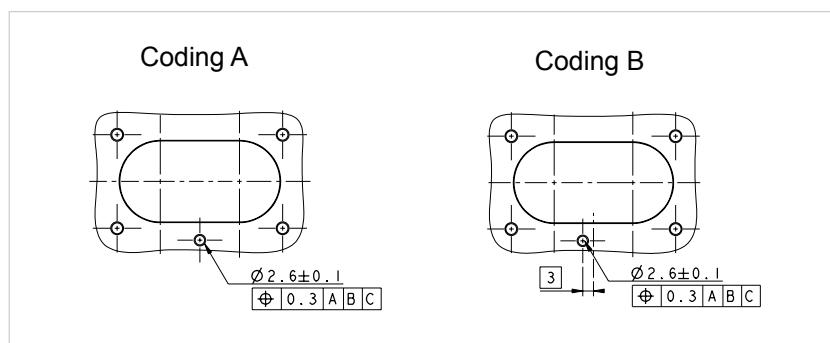
INSERT ORIENTATIONS



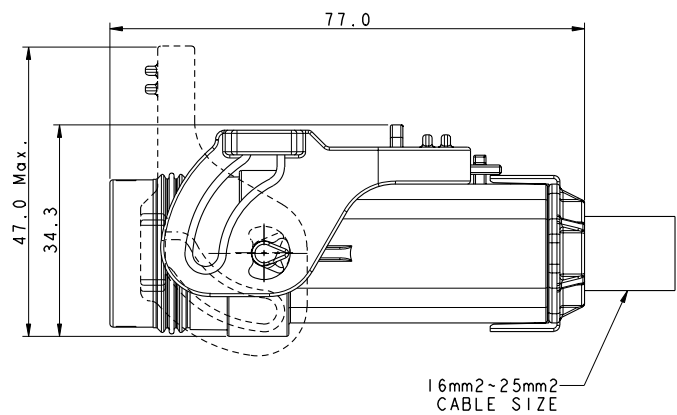
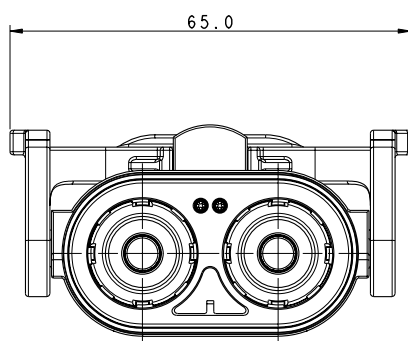
PANEL MOUNTING DIMENSIONS



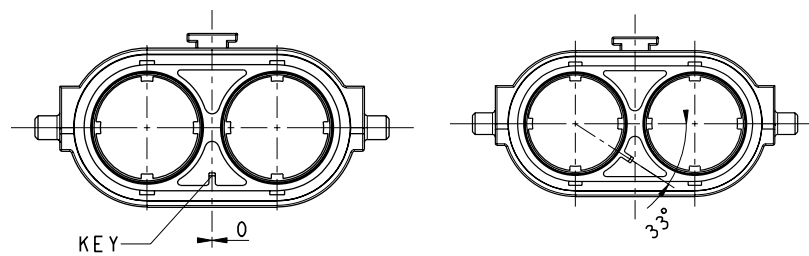
INSERT ORIENTATIONS



2 PIN STRAIGHT PLUG



INSERT ORIENTATIONS

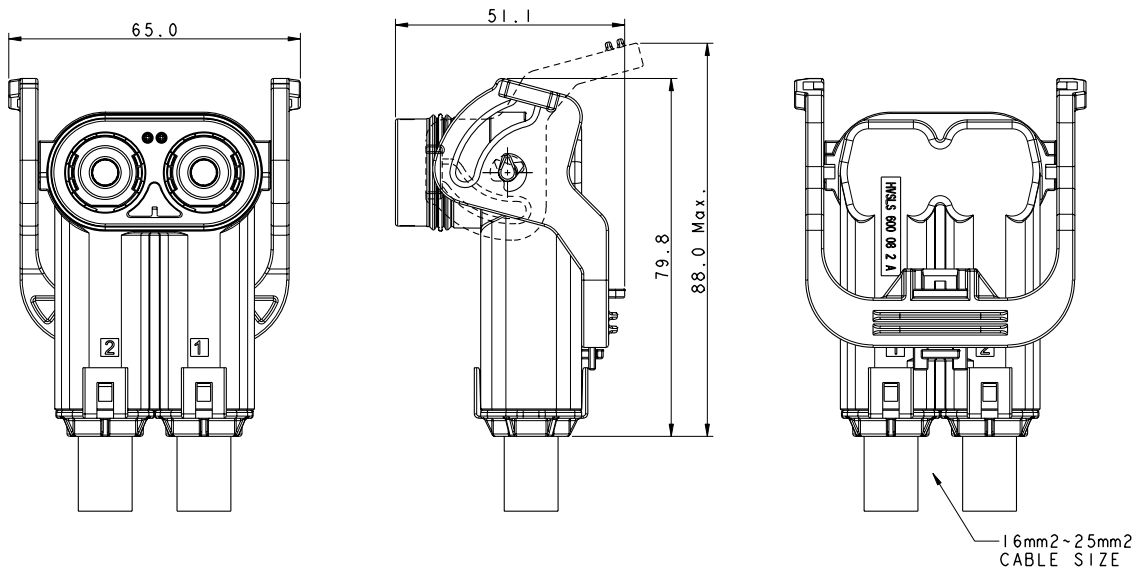


|     | Coding A         | Coding B         |
|-----|------------------|------------------|
| P/N | HVSL S600 06 2 A | HVSL S600 06 2 B |

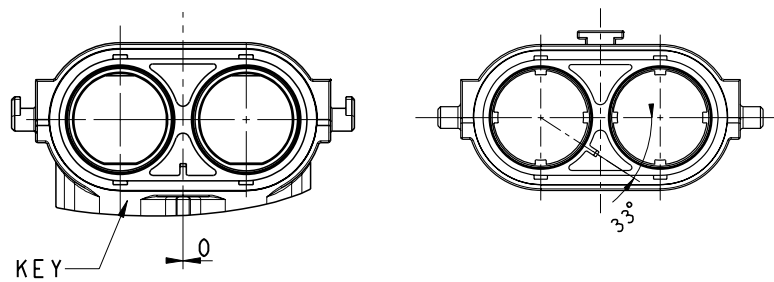


# Excel|Mate Metal (HVSL S 600)

## 2 PIN RIGHT ANGLE PLUG

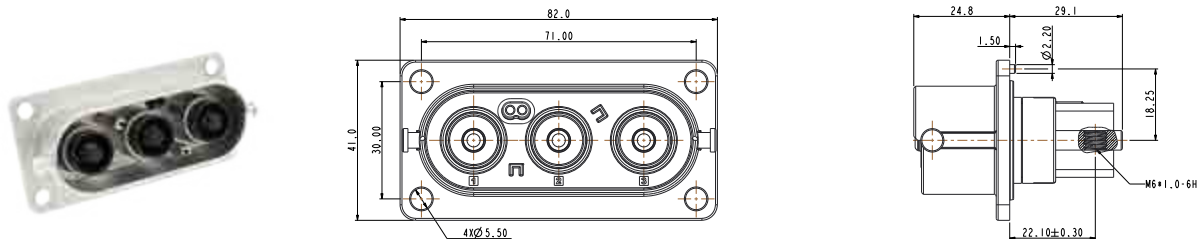


## INSERT ORIENTATIONS

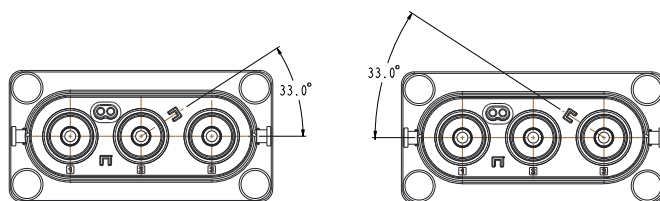


|     | Coding A         | Coding B         |
|-----|------------------|------------------|
| P/N | HVSL S600 08 2 A | HVSL S600 08 2 B |

3 PIN RECEPTACLE

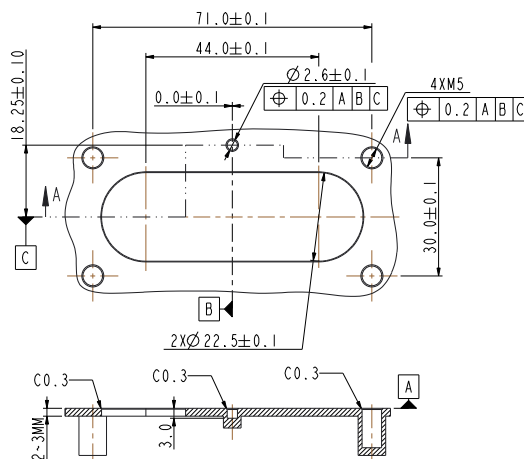


INSERT ORIENTATIONS

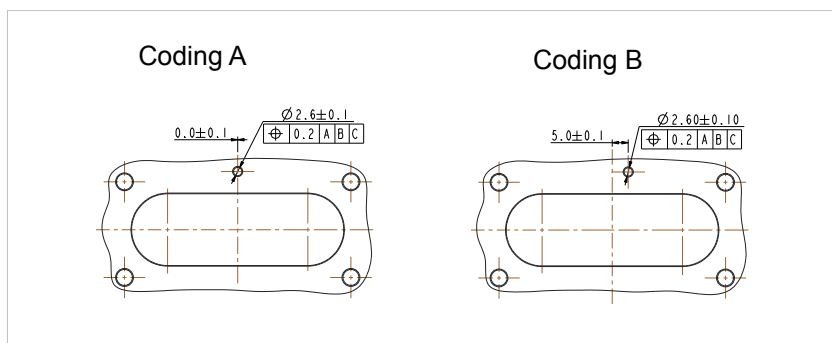


| P/N | Coding A<br>HVSL600 02 3 A | Coding B<br>HVSL600 02 3 B |
|-----|----------------------------|----------------------------|
|-----|----------------------------|----------------------------|

PANEL MOUNTING DIMENSIONS

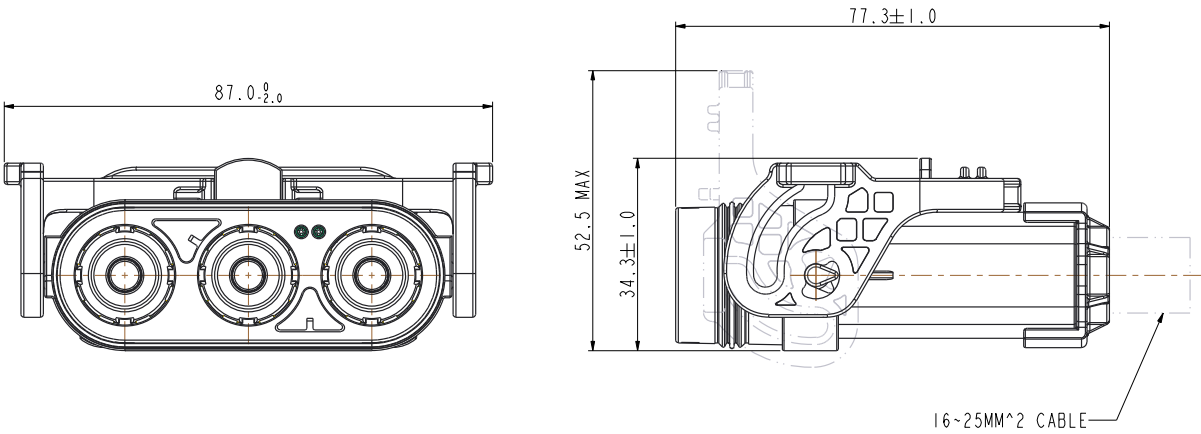


INSERT ORIENTATIONS

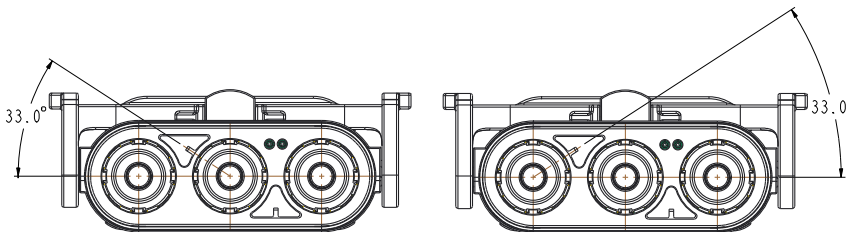


# Excel|Mate Metal (HVSL 600)

## 3 PIN STRAIGHT PLUG

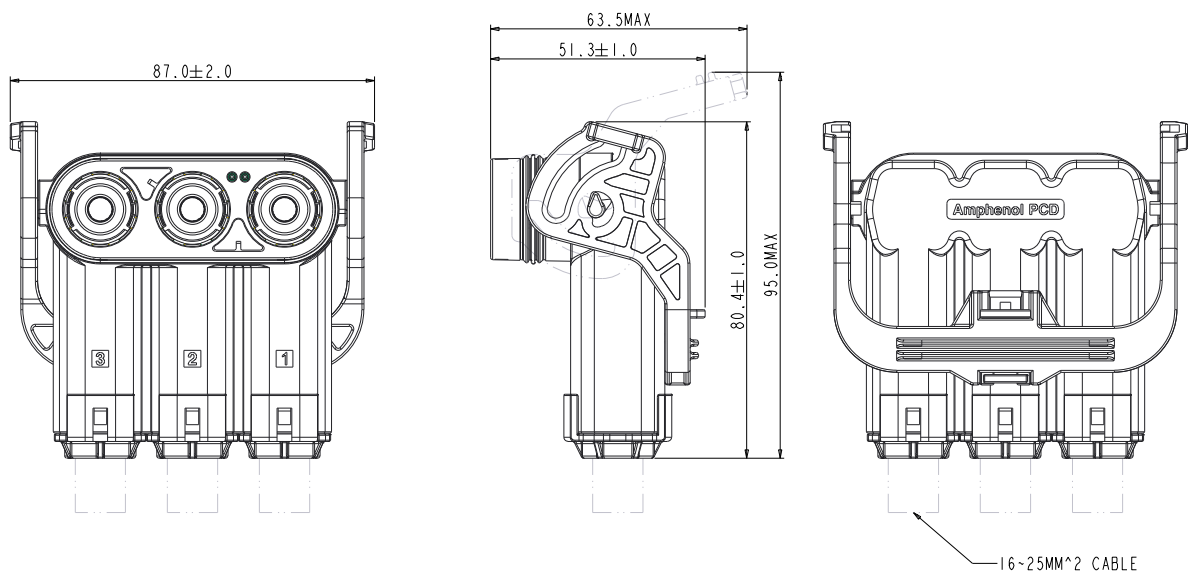


## INSERT ORIENTATIONS

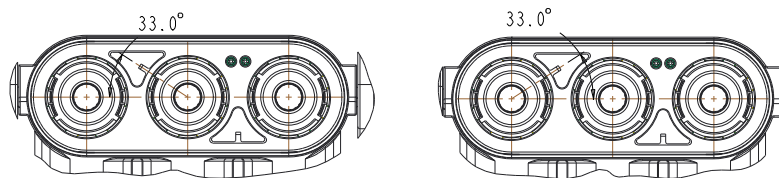


|     | Coding A       | Coding B       |
|-----|----------------|----------------|
| P/N | HVSL600 06 3 A | HVSL600 06 3 B |

3 PIN RIGHT ANGLE PLUG

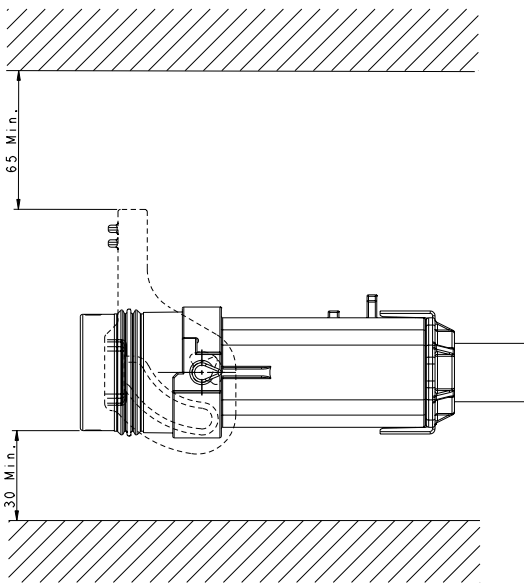


INSERT ORIENTATIONS



| P/N | Coding A<br>HVSL S600 08 2 A | Coding B<br>HVSL S600 08 2 B |
|-----|------------------------------|------------------------------|
|     |                              |                              |

## INSTALLATION CLEARANCE



## TOOL FOR RIGHT ANGLE PLUGS

Tool for locking contacts: HVSLP033002



### Remark:

Customer needs to use fixture HVSLP033002 with Stanley torque wrench sleeve (purchased by the customer) for assembling the finish product HVSLS600082.

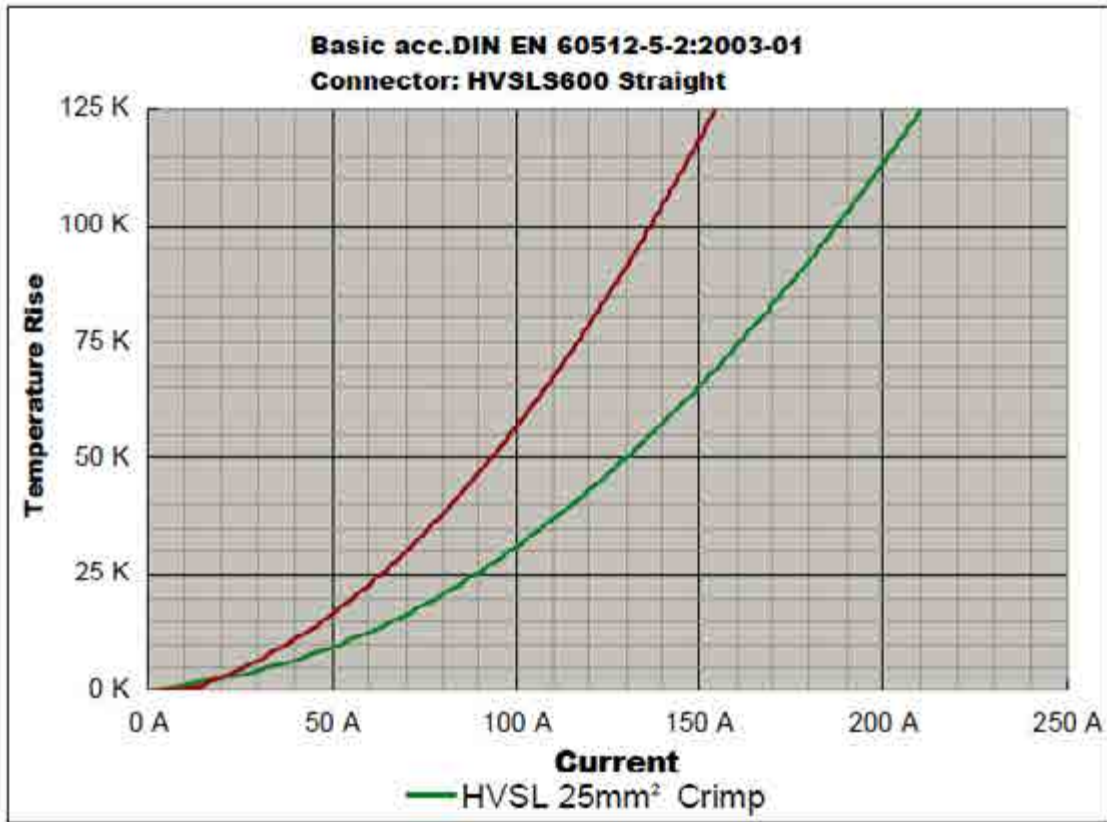
## HOW TO ORDER: PLUG

|                                     |   |    |   |   |   |    |
|-------------------------------------|---|----|---|---|---|----|
|                                     | HVSLS600  | 06 | 2 | A | 0 | 16 |
| <b>Product type:</b>                | 06: Straight plug   08: Right angle plug                  |    |   |   |   |    |
| <b>Position:</b>                    | 2: 2 position   3: 3 position                             |    |   |   |   |    |
| <b>Coding / Alternate position:</b> | A: Coding A   B: Coding B                                 |    |   |   |   |    |
| <b>Interlock:</b>                   | 0: Without interlock   1: With interlock                  |    |   |   |   |    |
| <b>Cable size:</b>                  | 16: 16mm <sup>2</sup> cable   25: 25mm <sup>2</sup> cable |    |   |   |   |    |

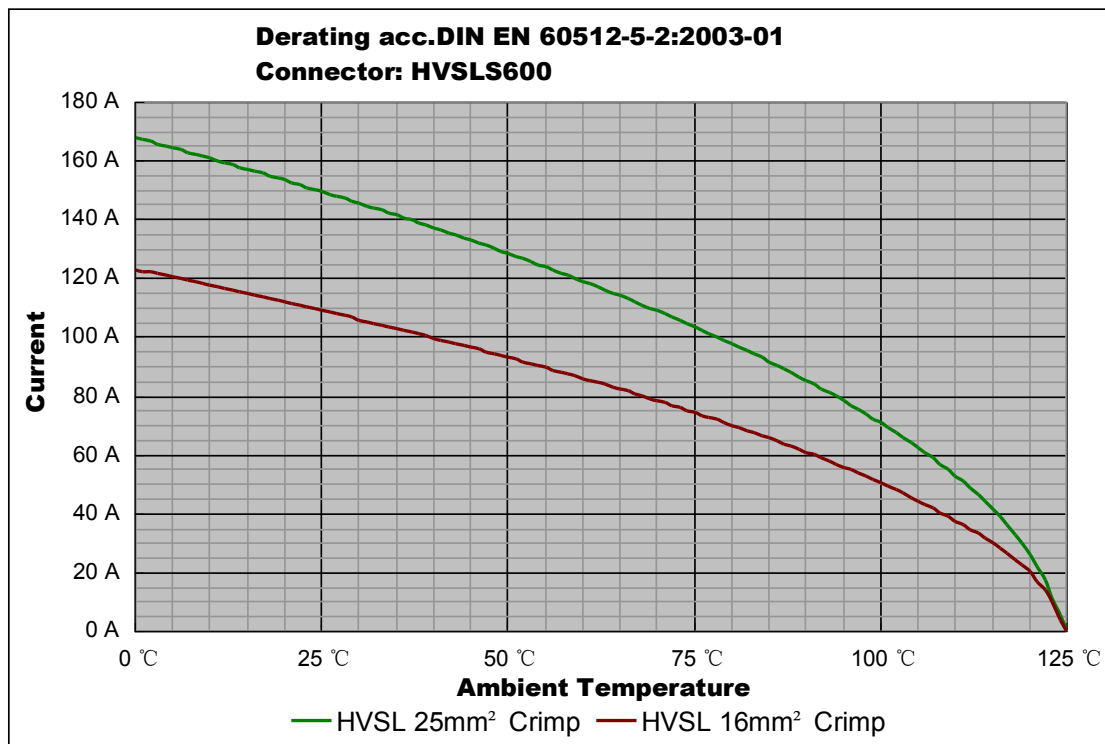
## HOW TO ORDER: RECEPTACLE

|                                     |  |    |   |   |   |    |
|-------------------------------------|--|----|---|---|---|----|
|                                     | HVSLS600                                 | 02 | 2 | A | 0 | H6 |
| <b>Product type:</b>                | 02: Box mounted receptacle               |    |   |   |   |    |
| <b>Position:</b>                    | 2: 2 position   3: 3 position            |    |   |   |   |    |
| <b>Coding / Alternate position:</b> | A: Coding A   B: Coding B                |    |   |   |   |    |
| <b>Interlock:</b>                   | 0: Without interlock   1: With interlock |    |   |   |   |    |
| <b>Cable size:</b>                  | H6: OT terminal                          |    |   |   |   |    |

## HVSL 600 | Temperature Rise



## HVSL 600 | Derating Curve



Remark: tests carried out on the complete connector.

# Excel|Mate Metal (HVSL S 800)

## Excel|Mate Metal (HVSL S800)



### Excel|Mate Metal

Excel|Mate Metal is a 2 pin connector with a current carrying capacity of 180A and 35 to 50mm<sup>2</sup> crimping cable.

Specially designed for battery, inverters, junction boxes, power distribution boxes and others xEV devices' equipment.

### KEY FEATURES

- Integrated internal HVIL
- Current rating up to 180A
- No tool required to unmate
- Sealing, IP67 (mated), IP6K9K
- Touch-proof, IP2XB
- Multiple coding positions
- CPA available

### MECHANICAL

|                                |  |
|--------------------------------|--|
| Durability                     | ≥ 50 mating cycles                     |
| Wire range                     | 35 to 50 mm <sup>2</sup> shielded wire |
| Insertion and extraction force | < 100N                                 |
| Connection type                | Copper bar                             |
| HVIL                           | Integrated                             |
| CPA                            | Available                              |

### ELECTRICAL

|                              |                                     |
|------------------------------|-------------------------------------|
| Rated voltage                | 1000V DC                            |
| Rated current                | 180A Max @ ambient temperature 70°C |
| Insulator resistance         | > 200MΩ                             |
| Dielectric withstand voltage | 3000V AC                            |
| Shielding                    | 360° from wire to device            |

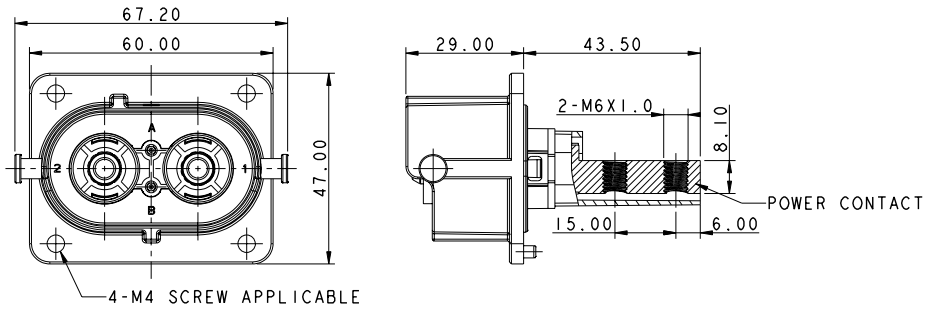
### ENVIRONMENTAL

|                   |                      |
|-------------------|----------------------|
| Sealing           | IP67, IP6K9K (mated) |
| Touch-proof       | IP2XB                |
| Temperature range | -40°C to 125°C       |
| Salt spray        | 96 hours             |

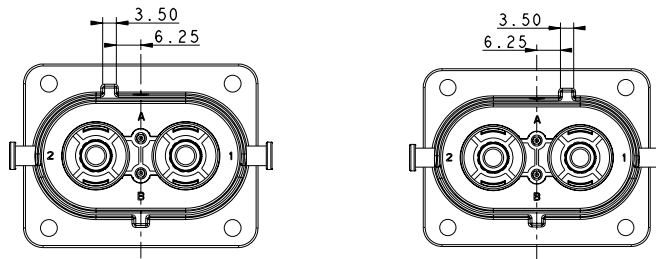
### MATERIAL

|           |   |
|-----------|---|
| Terminals | Copper/copper alloy with silver plating |
| Housing   | Zinc alloy                              |

RECEPTACLE

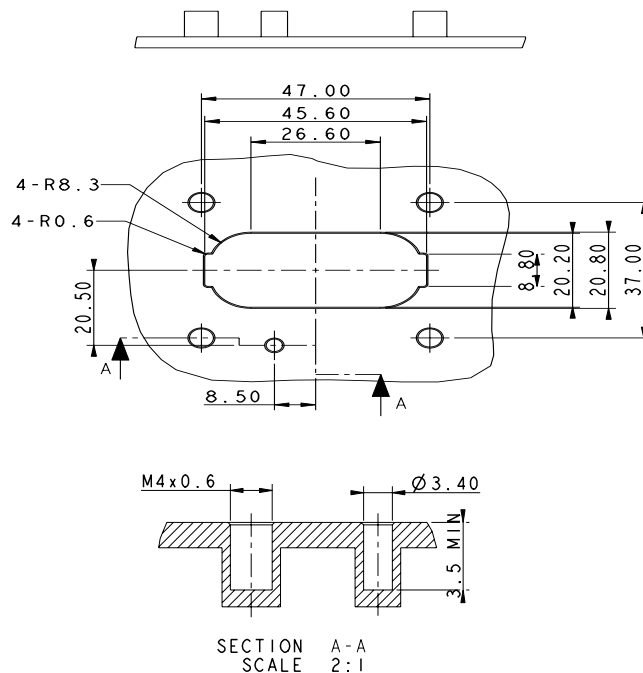


INSERT ORIENTATIONS



|     | Coding A       | Coding B       |
|-----|----------------|----------------|
| P/N | HVSL800 02 2 A | HVSL800 02 2 B |

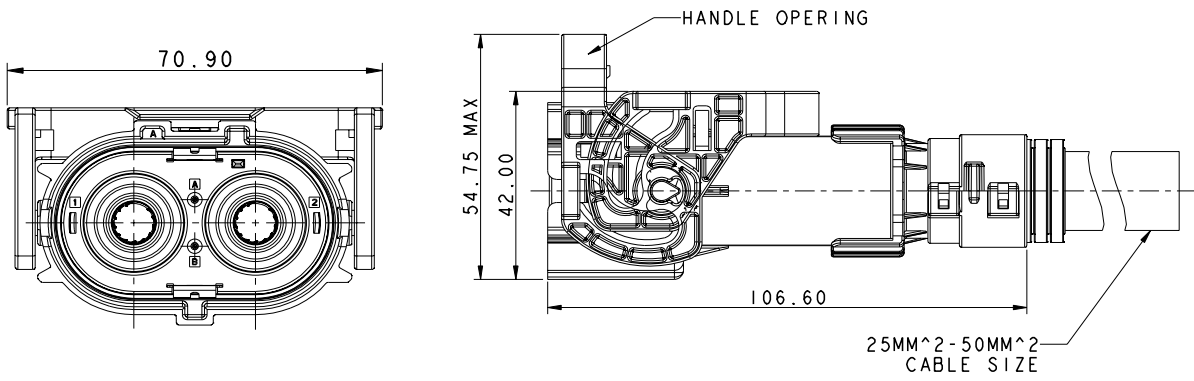
PANEL MOUNTED DIMENSIONS



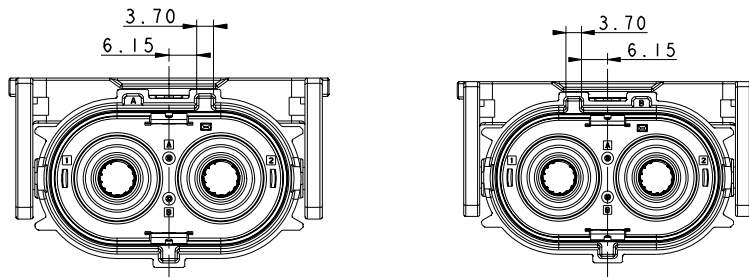


# Excel|Mate Metal (HVSL S 800)

## STRAIGHT PLUG

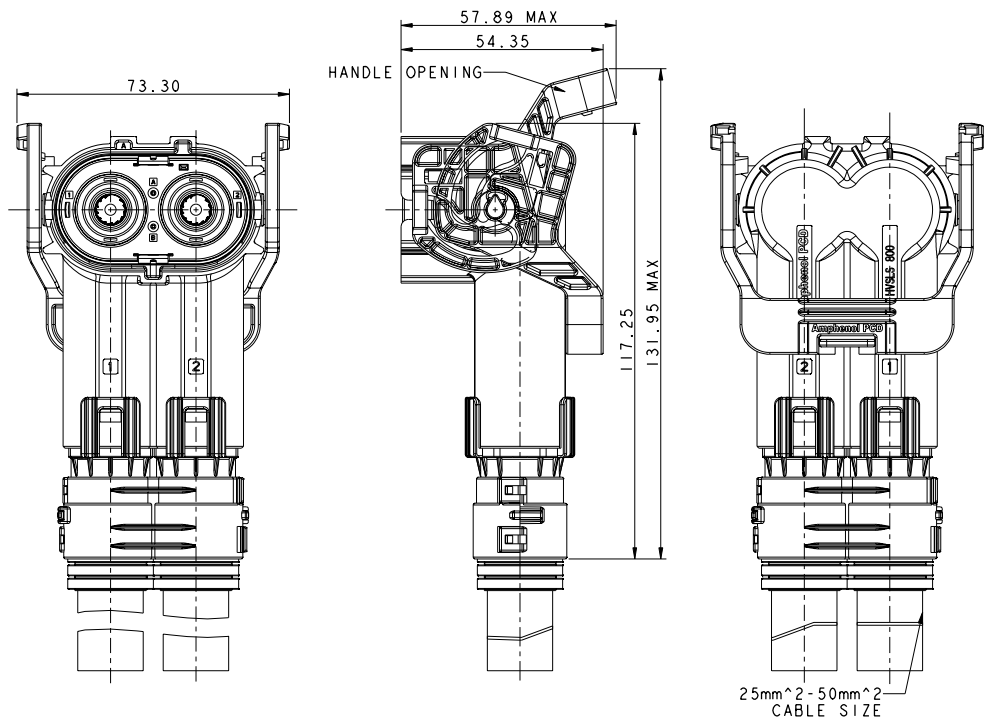


## INSERT ORIENTATIONS

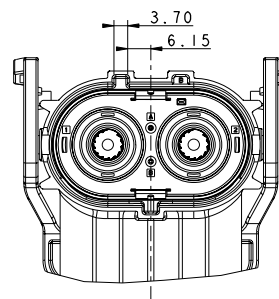
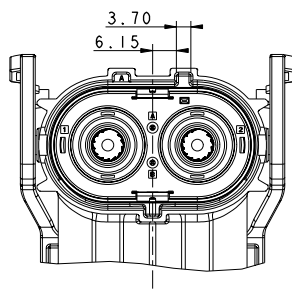


|     | Coding A         | Coding B         |
|-----|------------------|------------------|
| P/N | HVSL S800 06 2 A | HVSL S800 06 2 B |

RIGHT ANGLE PLUG



INSERT ORIENTATIONS

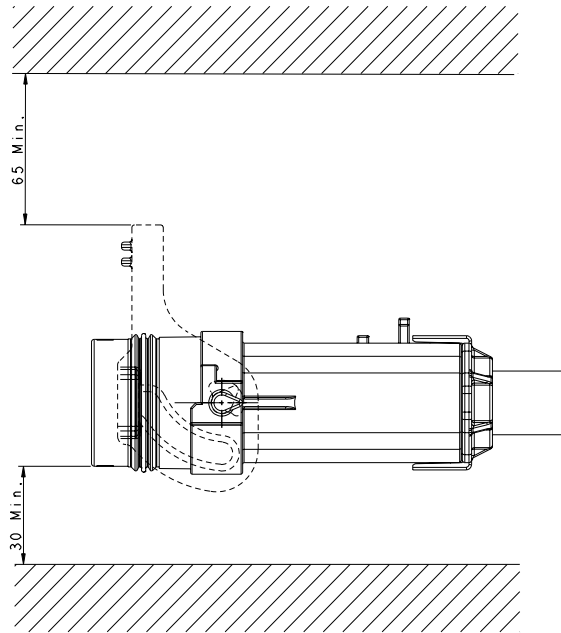


P/N

Coding A  
HVSL800 08 2 A

Coding B  
HVSL800 08 2 B

## INSTALLATION CLEARANCE



### HOW TO ORDER: PLUG

|                                     |   |    |   |   |   |    |
|-------------------------------------|---|----|---|---|---|----|
|                                     | HVSL S 800  | 06 | 2 | A | 0 | 35 |
| <b>Product type:</b>                | 06: Straight plug   08: Right angle plug                  |    |   |   |   |    |
| <b>Position:</b>                    | 2: 2 position   |    |   |   |   |    |
| <b>Coding / Alternate position:</b> | A: Coding A   B: Coding B                                 |    |   |   |   |    |
| <b>Interlock:</b>                   | 0: Without interlock   1: With interlock                  |    |   |   |   |    |
| <b>Cable size:</b>                  | 35: 35mm <sup>2</sup> cable   50: 50mm <sup>2</sup> cable |    |   |   |   |    |

### HOW TO ORDER: RECEPTACLE

|                                     |  |    |   |   |   |    |
|-------------------------------------|--|----|---|---|---|----|
|                                     | HVSL S 800                               | 02 | 2 | A | 0 | H6 |
| <b>Product type:</b>                | 02: Box mounted receptacle               |    |   |   |   |    |
| <b>Position:</b>                    | 2: 2 position                            |    |   |   |   |    |
| <b>Coding / Alternate position:</b> | A: Coding A   B: Coding B                |    |   |   |   |    |
| <b>Interlock:</b>                   | 0: Without interlock   1: With interlock |    |   |   |   |    |
| <b>Cable size:</b>                  | H6: OT terminal                          |    |   |   |   |    |

## Excel|Mate Eco (HVSL600 1 POSITION CONNECTOR)



### HVSL600

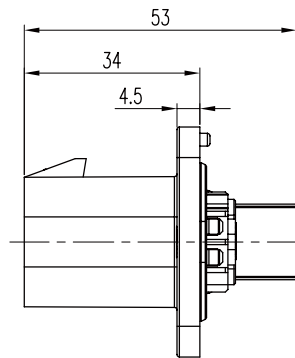
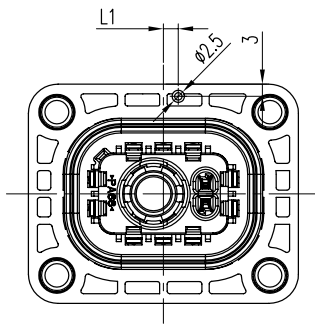
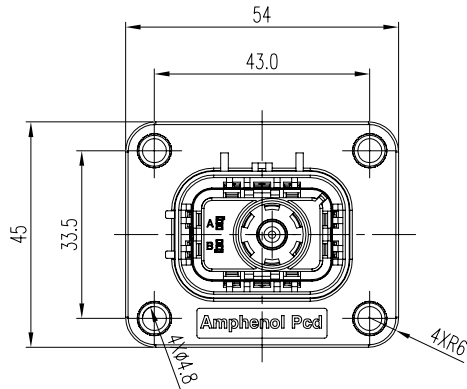
**HVSL600** is a single pin connector with a current carrying capacity of 120A and 25mm<sup>2</sup> crimping cable. It can be utilized with multi-core or individually shielded wire. An integrated internal HVIL with multiple routing options allows package size optimization and flexibility.

#### KEY FEATURES

- Integrated internal HVIL
- Current rating up to 120A
- Two-stage, tool or thumb activated latching
- No tool required to unmate
- Sealing, IP67 (mated), IP6K9K
- Touch-proof, IP2XB
- Multiple coding positions
- CPA available

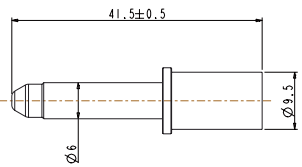
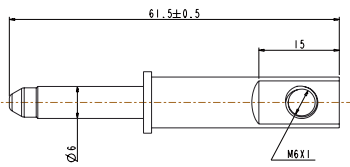
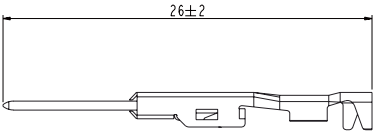
| MECHANICAL                     |   |
|--------------------------------|---|
| Durability                     | ≥ 50 mating cycles                      |
| Wire range                     | 25mm <sup>2</sup> shielded wire         |
| Insertion and extraction force | < 100N                                  |
| Connection type                | Crimping or bus-bar                     |
| Latching style                 | Two stage, finger actuated              |
| HVIL                           | Integrated                              |
| CPA                            | Available                               |
| ELECTRICAL                     |   |
| Rated voltage                  | 800V DC                                 |
| Rated current                  | 120A @ ambient temperature 70°C         |
| Insulator resistance           | > 200MΩ                                 |
| Dielectric withstand voltage   | 3000V AC                                |
| Shielding                      | 360° from wire to device                |
| ENVIRONMENTAL                  |   |
| Sealing                        | IP67, IP6K9K (mated)                    |
| Touch-proof                    | IP2XB                                   |
| Temperature range              | -40°C to 125°C                          |
| MATERIAL                       |   |
| Terminals                      | Copper/copper alloy with silver plating |
| Housing                        | PA66 + GF                               |

RECEPTACLE



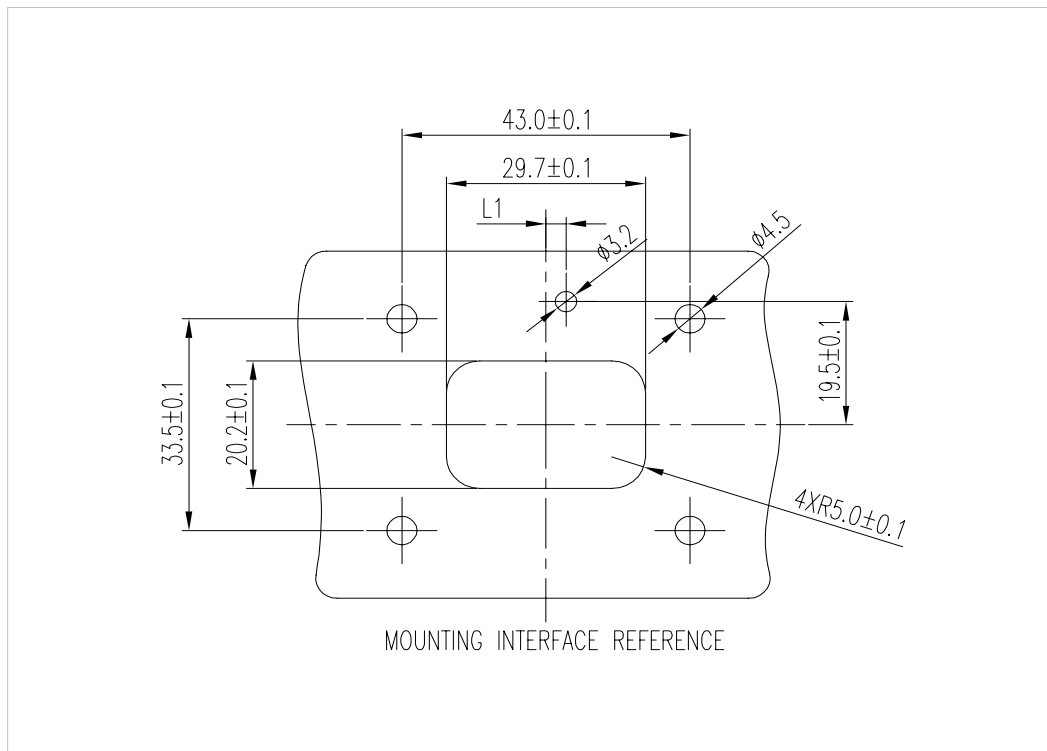
CONTACTS

All connectors do not include contacts. Please order them separately (ref: P/N below)

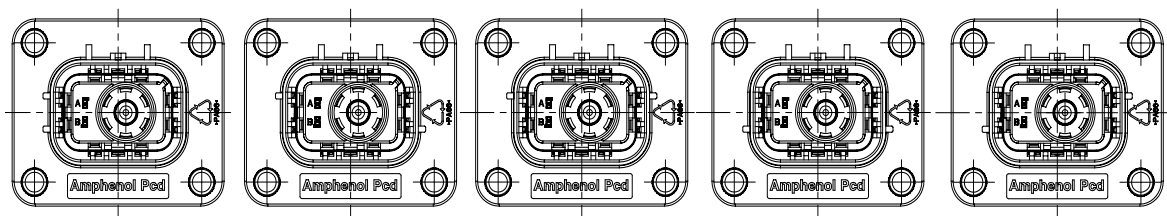
| For HVSL600021XX25  | For HVSL600021XXH6  | For HVSL600021XX25   |
|---|---|--|
| Pin contact: crimp for wire   | Pin contact: end with bus-bar   | Pin signal contact (HVIL)  |
| P/N: C420003621   | P/N: C420003625   | P/N: C310003613  |
|  |  |  |
| 25mm <sup>2</sup> unshielded wire   | —   | 0.5mm <sup>2</sup> unshielded wire   |

PANEL MOUNTING DIMENSIONS

| CODING           | A | B  | C  | D  | E  |
|------------------|---|----|----|----|----|
| L1 (Receptacle)  | 0 | 3  | 6  | -3 | -6 |
| L1 (Panel mount) | 0 | -3 | -6 | 3  | 6  |

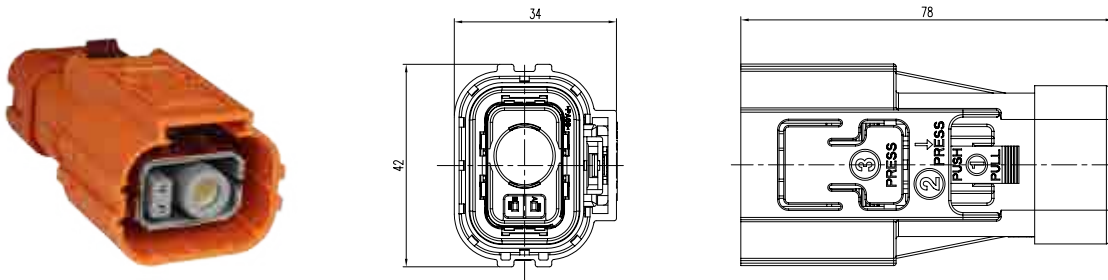


INSERT ORIENTATIONS



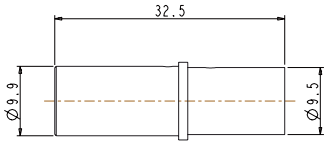
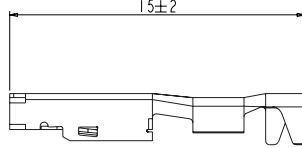
|     | Coding A       | Coding B       | Coding C       | Coding D       | Coding E       |
|-----|----------------|----------------|----------------|----------------|----------------|
| P/N | HVSL600 02 1 A | HVSL600 02 1 B | HVSL600 02 1 C | HVSL600 02 1 D | HVSL600 02 1 E |

## PLUG



## CONTACTS

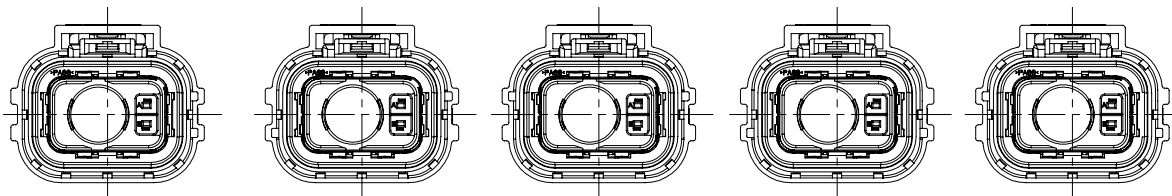
All connectors do not include contacts. Please order them separately (ref: P/N below)

| For HVSL600061XX25XX  | For HVSL600061XX25XX   |
|---|--|
| Socket contact  | Socket signal contact (HVIL)   |
| P/N: C420003620   | P/N: C310003614  |
|  |  |
| 25mm <sup>2</sup> shielded wire   | 0.5mm <sup>2</sup> unshielded wire   |

Sealing gasket for HVSL600061XX25XX:

| 12                    | 11                    | 10                    |
|-----------------------|-----------------------|-----------------------|
| P/N: C270003607       | P/N: C2700036071      | P/N: C2700036072      |
| 12 ± 0.2 mm (Wire OD) | 11 ± 0.2 mm (Wire OD) | 10 ± 0.2 mm (Wire OD) |

## INSERT ORIENTATIONS



|     | Coding A       | Coding B       | Coding C       | Coding D       | Coding E       |
|-----|----------------|----------------|----------------|----------------|----------------|
| P/N | HVSL600 06 1 A | HVSL600 06 1 B | HVSL600 06 1 C | HVSL600 06 1 D | HVSL600 06 1 E |

## HOW TO ORDER: PLUG

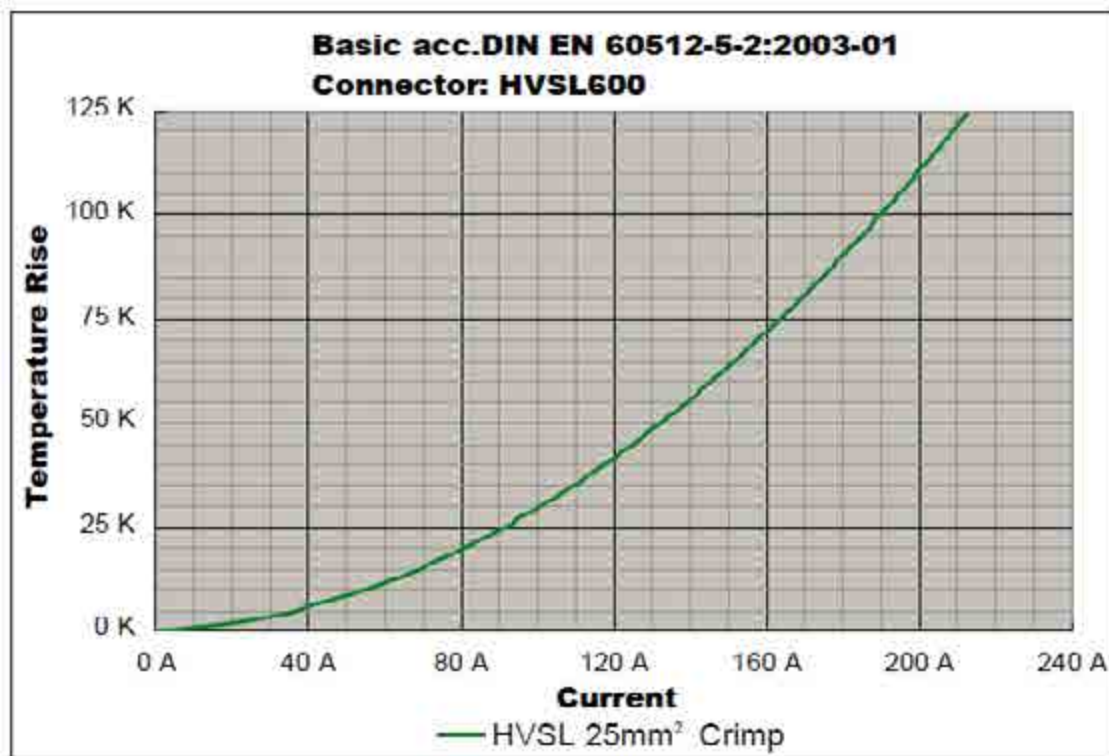
|                                     | HVSL600  | 06 | 1 | A | 0 | 25 | 10 |
|-------------------------------------|--|----|---|---|---|----|----|
| <b>Product type:</b>                | <b>06:</b> Straight plug   |    |   |   |   |    |    |
| <b>Position:</b>                    | <b>1:</b> 1 position   |    |   |   |   |    |    |
| <b>Coding / Alternate position:</b> | <b>A:</b> Coding A<br><b>B:</b> Coding B<br><b>C:</b> Coding C<br><b>D:</b> Coding D<br><b>E:</b> Coding E |    |   |   |   |    |    |
| <b>Interlock:</b>                   | <b>0:</b> Without interlock<br><b>1:</b> With interlock  |    |   |   |   |    |    |
| <b>Cable size:</b>                  | <b>25:</b> 25mm <sup>2</sup>   |    |   |   |   |    |    |
| <b>Sealing gasket:</b>              | <b>10:</b> 10mm (Wire OD)<br><b>11:</b> 11mm (Wire OD)<br><b>12:</b> 12mm (Wire OD)                        |    |   |   |   |    |    |

## HOW TO ORDER: RECEPTACLE

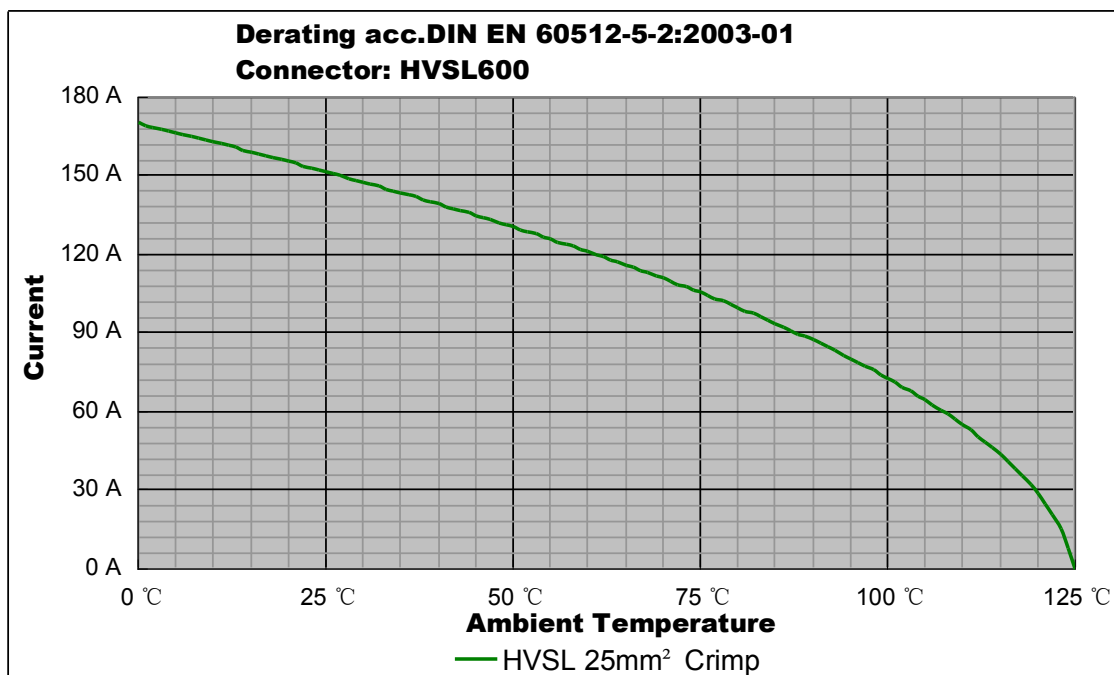
|                                     | HVSL600  | 02 | 1 | A | 25 |
|-------------------------------------|--|----|---|---|----|
| <b>Product type:</b>                | <b>02:</b> Box mounted receptacle  |    |   |   |    |
| <b>Position:</b>                    | <b>1:</b> 1 position   |    |   |   |    |
| <b>Coding / Alternate position:</b> | <b>A:</b> Coding A<br><b>B:</b> Coding B<br><b>C:</b> Coding C<br><b>D:</b> Coding D<br><b>E:</b> Coding E |    |   |   |    |
| <b>Cable size:</b>                  | <b>25:</b> 25mm <sup>2</sup><br><b>H6:</b> OT terminal   |    |   |   |    |



## HVSL 600 | Temperature Rise



## HVSL 600 | Derating Curve



Remark: tests carried out on the complete connector.

## Excel|Mate Eco (HVSL630 2 POSITION CONNECTOR)



### HVSL630

**HVSL630** is a 2 position connector with a current carrying capacity from 23 to 40A and 4 to 6mm<sup>2</sup> crimping cable.

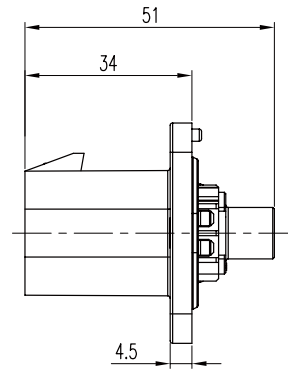
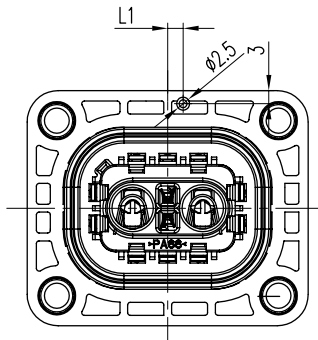
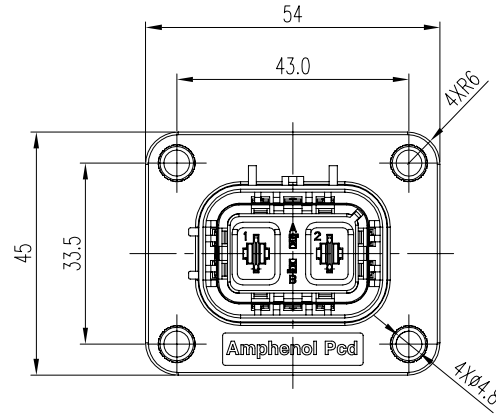
Specially designed for DC-DC, air-conditioner, and others xEV devices' equipment.

### KEY FEATURES

- Integrated internal HVIL
- Current rating up to 40A
- Two-stage, tool or thumb activated latching
- No tool required to unmate
- Sealing, IP67 (mated), IP6K9K
- Touch-proof, IP2XB
- Multiple coding positions
- CPA available

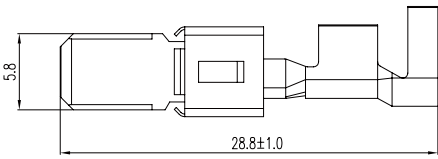
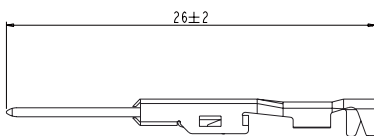
| MECHANICAL                     |                                      |
|--------------------------------|--------------------------------------|
| Durability                     | ≥ 50 mating cycles                   |
| Wire range                     | 4 to 6 mm <sup>2</sup> shielded wire |
| Insertion and extraction force | < 100N                               |
| Connection type                | Crimping                             |
| Latching style                 | Two stage, finger actuated           |
| HVIL                           | Integrated                           |
| CPA                            | Available                            |
| ELECTRICAL                     |                                      |
| Rated voltage                  | 800V DC                              |
| Rated current                  | 40A Max @ ambient temperature 70°C   |
| Insulator resistance           | > 200MΩ                              |
| Dielectric withstand voltage   | 3000V AC                             |
| Shielding                      | 360° from wire to device             |
| ENVIRONMENTAL                  |                                      |
| Sealing                        | IP67, IP6K9K (mated)                 |
| Touch-proof                    | IP2XB                                |
| Temperature range              | -40°C to 125°C                       |
| MATERIAL                       |                                      |
| Terminals                      | Copper/copper alloy with tin plating |
| Housing                        | PA66 + GF                            |

RECEPTACLE



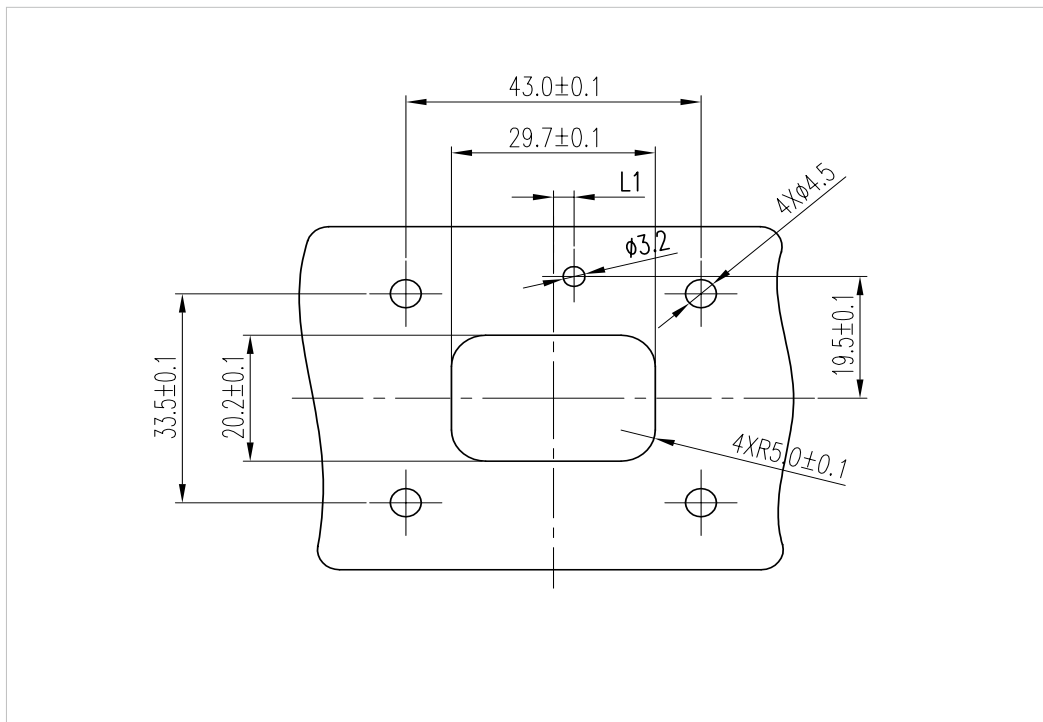
CONTACTS

All connectors do not include contacts. Please order them separately (ref: P/N below)

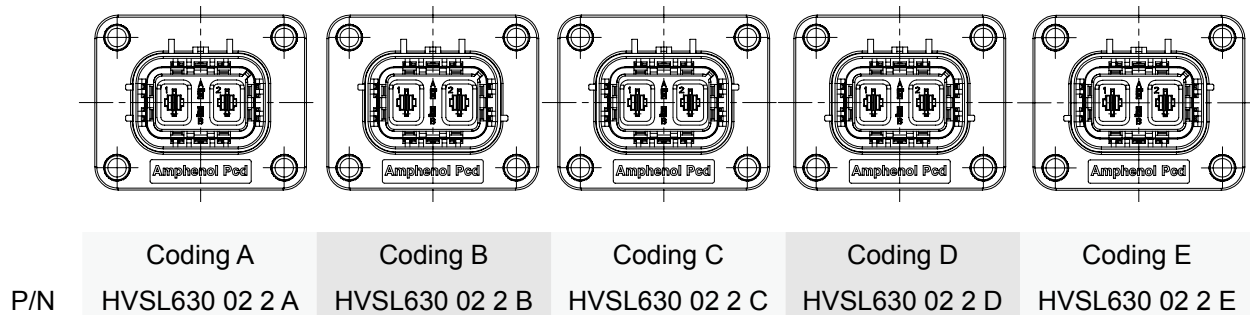
|   |  |
|---|--|
| For HVSL630022XX06  | For HVSL630022XX06   |
| Pin contact: crimping   | Pin signal contact (HVIL)  |
| P/N: C310003622   | P/N: C310003613  |
|  |  |
| 4 to 6mm <sup>2</sup> unshielded wire   | 0.5mm <sup>2</sup> unshielded wire   |

PANEL MOUNTING DIMENSIONS

| CODING           | A | B  | C  | D  | E  |
|------------------|---|----|----|----|----|
| L1 (Receptacle)  | 0 | 3  | 6  | -3 | -6 |
| L1 (Panel mount) | 0 | -3 | -6 | 3  | 6  |

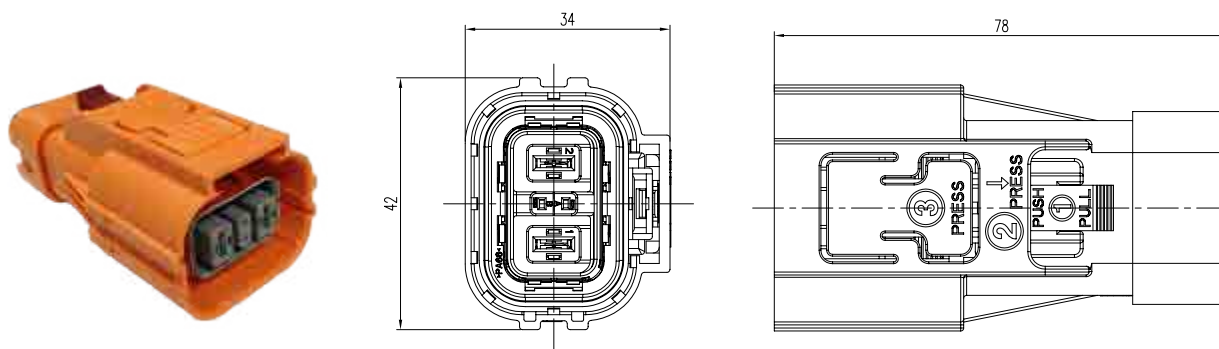


INSERT ORIENTATIONS



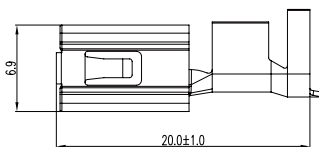
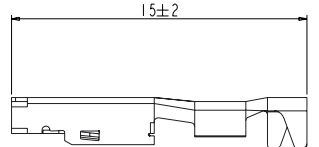
# Excel|Mate Eco (HVSL 630)

## PLUG



## CONTACTS

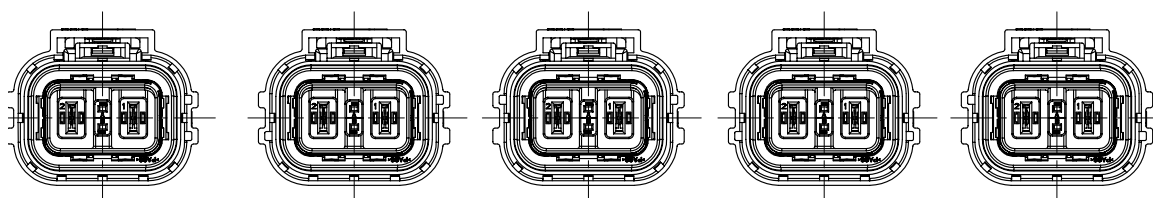
All connectors do not include contacts. Please order them separately (ref: P/N below)

| For HVSL630062XX06XX  | For HVSL630062XX06XX   |
|---|--|
| Socket contact  | Socket signal contact (HVIL)   |
| P/N: C310003623   | P/N: C310003614  |
|  |  |
| 4 to 6mm <sup>2</sup> shielded wire   | 0.5mm <sup>2</sup> unshielded wire   |

Sealing gasket for HVSL630062XX06XX:

| 12                    | 11                    | 10                    |
|-----------------------|-----------------------|-----------------------|
| P/N: C270003607       | P/N: C2700036071      | P/N: C2700036072      |
| 12 ± 0.2 mm (Wire OD) | 11 ± 0.2 mm (Wire OD) | 10 ± 0.2 mm (Wire OD) |

## INSERT ORIENTATIONS



|     | Coding A       | Coding B       | Coding C       | Coding D       | Coding E       |
|-----|----------------|----------------|----------------|----------------|----------------|
| P/N | HVSL630 06 2 A | HVSL630 06 2 B | HVSL630 06 2 C | HVSL630 06 2 D | HVSL630 06 2 E |

## HOW TO ORDER: PLUG

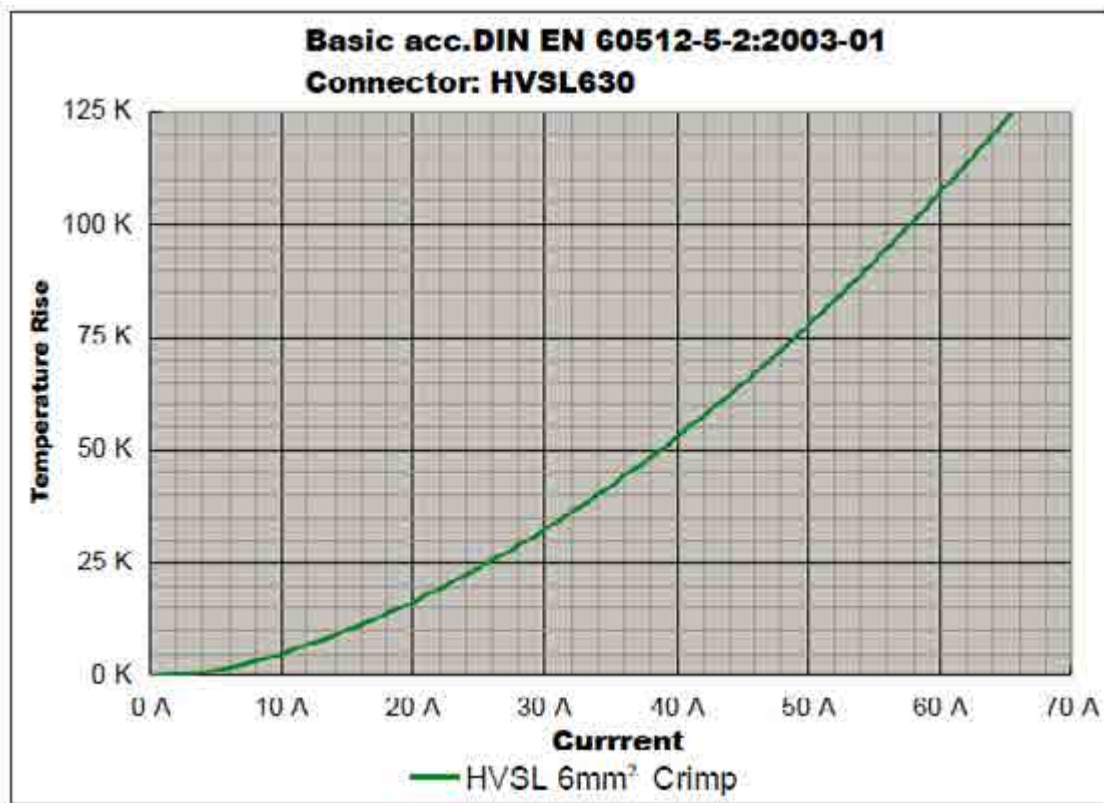
|                                     | HVSL630  | 06 | 2 | A | 0 | 04 | 10 |
|-------------------------------------|--|----|---|---|---|----|----|
| <b>Product type:</b>                | <b>06:</b> Straight plug   |    |   |   |   |    |    |
| <b>Position:</b>                    | <b>2:</b> 2 positions  |    |   |   |   |    |    |
| <b>Coding / Alternate position:</b> | <b>A:</b> Coding A<br><b>B:</b> Coding B<br><b>C:</b> Coding C<br><b>D:</b> Coding D<br><b>E:</b> Coding E |    |   |   |   |    |    |
| <b>Interlock:</b>                   | <b>0:</b> Without interlock<br><b>1:</b> With interlock  |    |   |   |   |    |    |
| <b>Cable size:</b>                  | <b>04:</b> 4mm <sup>2</sup><br><b>06:</b> 6mm <sup>2</sup><br><b>25:</b> 25mm <sup>2</sup>                 |    |   |   |   |    |    |
| <b>Sealing gasket:</b>              | <b>10:</b> 10mm (Wire OD)<br><b>11:</b> 11mm (Wire OD)<br><b>12:</b> 12mm (Wire OD)                        |    |   |   |   |    |    |

## HOW TO ORDER: RECEPTACLE

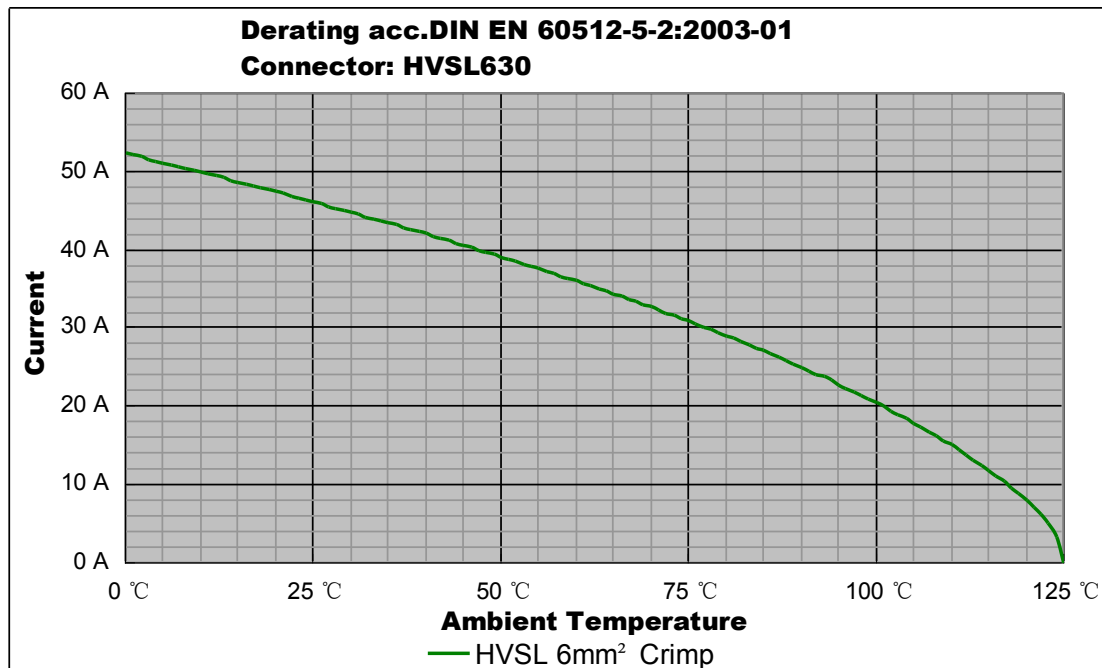
|                                     | HVSL630  | 02 | 2 | A | 04 |
|-------------------------------------|--|----|---|---|----|
| <b>Product type:</b>                | <b>02:</b> Box mounted receptacle  |    |   |   |    |
| <b>Position:</b>                    | <b>2:</b> 2 positions  |    |   |   |    |
| <b>Coding / Alternate position:</b> | <b>A:</b> Coding A<br><b>B:</b> Coding B<br><b>C:</b> Coding C<br><b>D:</b> Coding D<br><b>E:</b> Coding E |    |   |   |    |
| <b>Cable size:</b>                  | <b>04:</b> 4mm <sup>2</sup><br><b>06:</b> 6mm <sup>2</sup>   |    |   |   |    |

# CHARTS (HVSL 630)

## HVSL 630 | Temperature Rise



## HVSL 630 | Derating Curve



Remark: tests carried out on the complete connector.

## Excel|Mate (HVSL633 3 pin connector)



### HVSL633

**HVSL633** is a 3 position connector with a current carrying capacity from 23 to 40A and 2.5 to 6mm<sup>2</sup> crimping cable.

Specially designed for DC-DC, air-conditioner, and others xEV devices' equipment.

### KEY FEATURES

Integrated internal HVIL

Current rating up to 40A

Two-stage, tool or thumb activated latching

No tool required to unmate

Sealing, IP67 (mated), IP6K9K

Touch-proof, IP2XB

Multiple coding positions

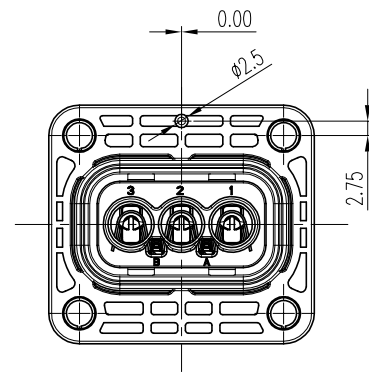
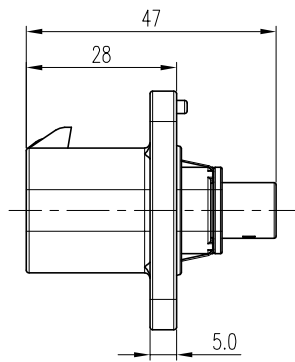
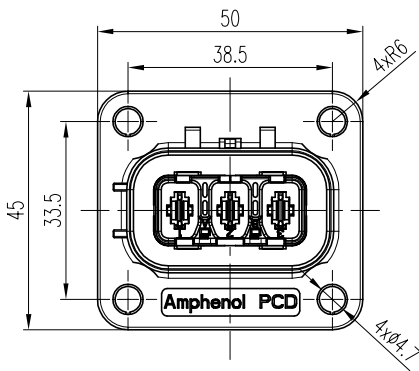
CPA available

| MECHANICAL                     |  |
|--------------------------------|--|
| Durability                     | ≥ 50 mating cycles   |
| Wire range                     | 2.5 to 6 mm <sup>2</sup> shielded wire<br>(2.5mm <sup>2</sup> only for plug) |
| Insertion and extraction force | < 100N   |
| Connection type                | Crimping   |
| Latching style                 | Two stage, finger actuated   |
| HVIL                           | Integrated   |
| CPA                            | Available  |
| ELECTRICAL                     |  |
| Rated voltage                  | 800V DC  |
| Rated current                  | 40A Max @ ambient temperature 70°C   |
| Insulator resistance           | > 200MΩ  |
| Dielectric withstand voltage   | 3000V AC   |
| Shielding                      | 360° from wire to device   |
| ENVIRONMENTAL                  |  |
| Sealing                        | IP67, IP6K9K (mated)   |
| Touch-proof                    | IP2XB  |
| Temperature range              | -40°C to 125°C   |
| MATERIAL                       |  |
| Terminals                      | Copper/copper alloy with tin plating   |
| Housing                        | PA66 + GF  |



# Excel|Mate Eco (HVSL 633)

## RECEPTACLE HVSL633



## CONTACTS

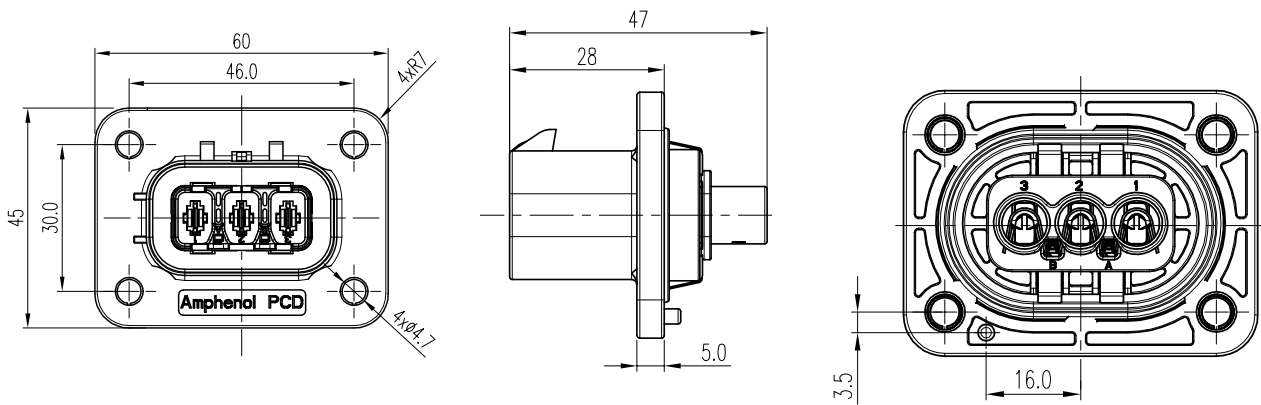
All connectors do not include contacts. Please order them separately (ref: P/N below)

| Pin contact: crimping                 | Socket signal contact (HVIL)       |
|---------------------------------------|------------------------------------|
| P/N: C310003622                       | P/N: C310003614                    |
|                                       |                                    |
| 4 to 6mm <sup>2</sup> unshielded wire | 0.5mm <sup>2</sup> unshielded wire |

PANEL MOUNTING DIMENSION

| PART NUMBER   | INSERT ORIENTATION | PANEL MOUNTED DIMENSION |
|---------------|--------------------|-------------------------|
| HVSL633 023 A |                    |                         |
| HVSL633 023 B |                    |                         |
| HVSL633 023 C |                    |                         |
| HVSL633 023 D |                    |                         |
| HVSL633 023 E |                    |                         |

RECEPTACLE HVSLC633



CONTACTS

All connectors do not include contacts. Please order them separately (ref: P/N below)

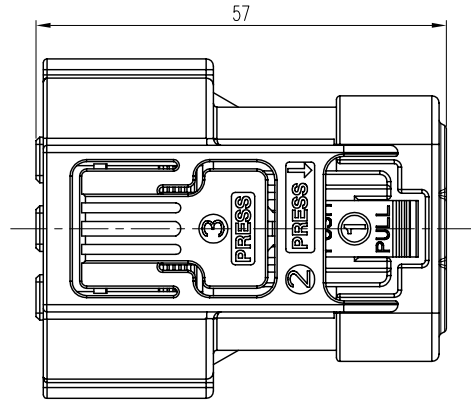
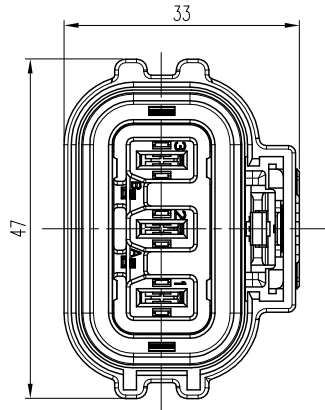
| Pin contact: crimping                 | Socket signal contact (HVIL)       |
|---------------------------------------|------------------------------------|
| P/N: C310003622                       | P/N: C310003614                    |
|                                       |                                    |
| 4 to 6mm <sup>2</sup> unshielded wire | 0.5mm <sup>2</sup> unshielded wire |

PANEL MOUNTING DIMENSION

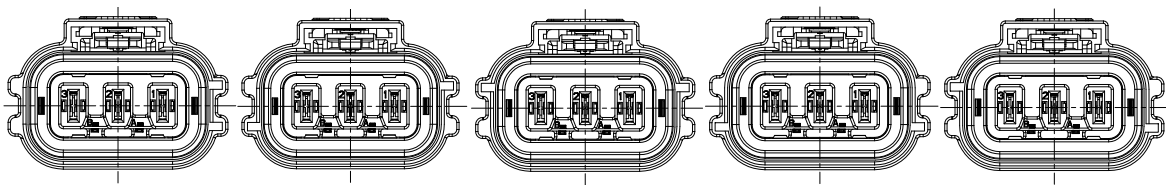
| PART NUMBER    | INSERT ORIENTATION | PANEL MOUNTED DIMENSION |
|----------------|--------------------|-------------------------|
| HVSLC633 023 A |                    |                         |
| HVSLC633 023 B |                    |                         |
| HVSLC633 023 C |                    |                         |
| HVSLC633 023 D |                    |                         |

# Excel|Mate Eco (HVSL 633)

## PLUG



## INSERT ORIENTATIONS



|     | Coding A       | Coding B       | Coding C       | Coding D       | Coding E       |
|-----|----------------|----------------|----------------|----------------|----------------|
| P/N | HVSL633 06 3 A | HVSL633 06 3 B | HVSL633 06 3 C | HVSL633 06 3 D | HVSL633 06 3 E |

## CONTACTS

All connectors do not include contacts. Please order them separately (ref: P/N below)

| Socket contact: crimping         | Socket contact: crimping            | HVIL contacts               |
|----------------------------------|-------------------------------------|-----------------------------|
| P/N: C310023506                  | P/N: C310003623                     | Integrated, no need to buy. |
|                                  |                                     |                             |
| 2.5mm <sup>2</sup> shielded wire | 4 to 6mm <sup>2</sup> shielded wire |                             |

## HOW TO ORDER: PLUG

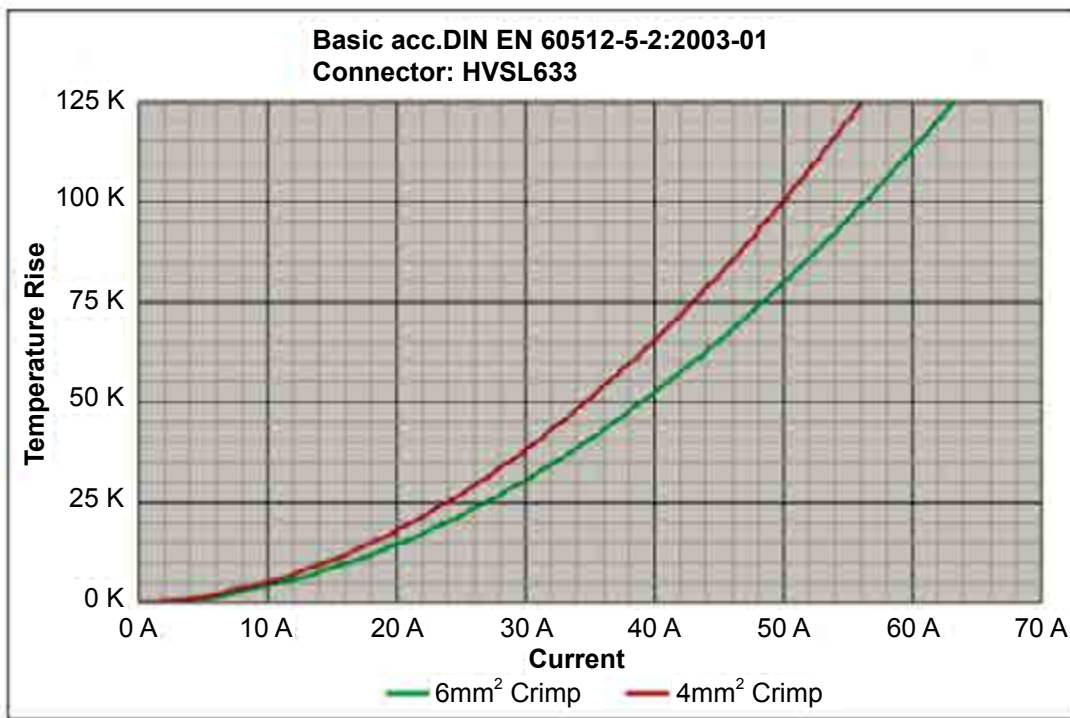
|                                     | HVSL633  | 06 | 3 | A | 0 | 04 | I |
|-------------------------------------|--|----|---|---|---|----|---|
| <b>Product type:</b>                | <b>06:</b> Straight plug   |    |   |   |   |    |   |
| <b>Position:</b>                    | <b>3:</b> 3 positions  |    |   |   |   |    |   |
| <b>Coding / Alternate position:</b> | <b>A:</b> Coding A<br><b>B:</b> Coding B<br><b>C:</b> Coding C<br><b>D:</b> Coding D<br><b>E:</b> Coding E |    |   |   |   |    |   |
| <b>Interlock:</b>                   | <b>0:</b> Without interlock<br><b>1:</b> With interlock  |    |   |   |   |    |   |
| <b>Cable size:</b>                  | <b>03:</b> 2.5mm <sup>2</sup><br><b>04:</b> 4mm <sup>2</sup><br><b>06:</b> 6mm <sup>2</sup>                |    |   |   |   |    |   |
| <b>Wire type:</b>                   | <b>I:</b> Individually shielded wire   |    |   |   |   |    |   |

## HOW TO ORDER: RECEPTACLES

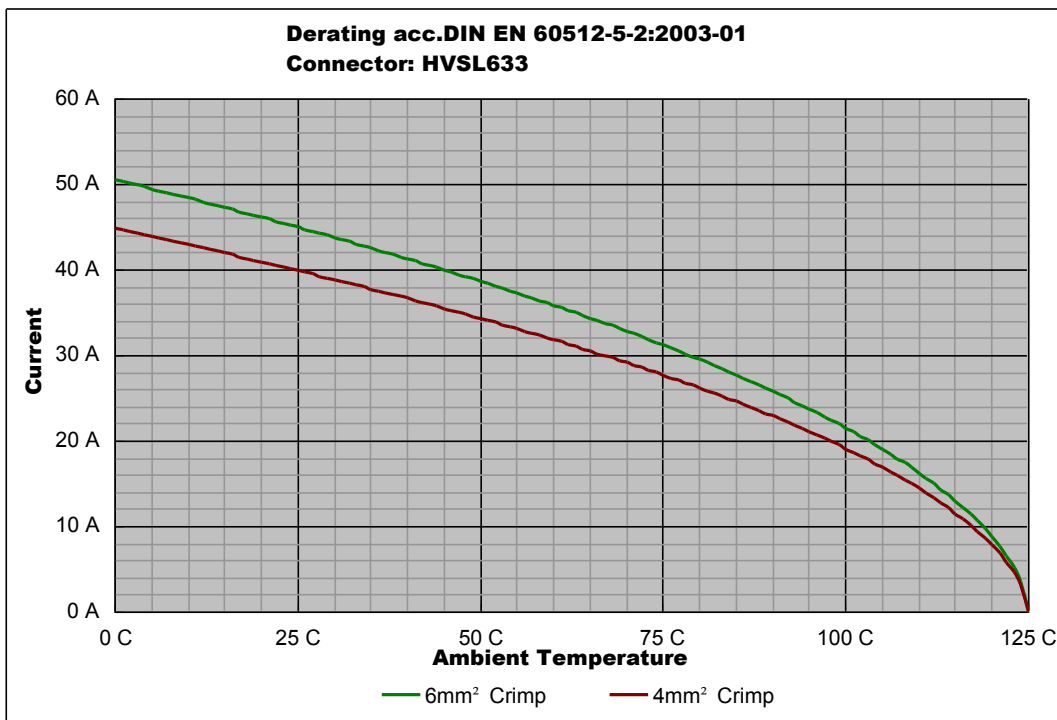
|                                     | HVSL633  | 02 | 3 | A |
|-------------------------------------|--|----|---|---|
| <b>Product type:</b>                | <b>02:</b> Box mounted receptacle  |    |   |   |
| <b>Position:</b>                    | <b>3:</b> 3 positions  |    |   |   |
| <b>Coding / Alternate position:</b> | <b>A:</b> Coding A<br><b>B:</b> Coding B<br><b>C:</b> Coding C<br><b>D:</b> Coding D<br><b>E:</b> Coding E |    |   |   |

|                                     | HVSLC633   | 02 | 3 | A |
|-------------------------------------|--|----|---|---|
| <b>Product type:</b>                | <b>02:</b> Box mounted receptacle  |    |   |   |
| <b>Position:</b>                    | <b>3:</b> 3 positions  |    |   |   |
| <b>Coding / Alternate position:</b> | <b>A:</b> Coding A<br><b>B:</b> Coding B<br><b>C:</b> Coding C<br><b>D:</b> Coding D |    |   |   |

## HVSL 633 | Temperature Rise



## HVSL 633 | Derating Curve



Remark: tests carried out on the complete connector.

## Excel|Mate Eco (HVSL280 3 POSITION CONNECTOR)



### HVSL280

**HVSL280** is a 3 position connector with plastic housing, high voltage, integrated HVIL. It provides a current carrying capacity from 16 to 23A and 2.5 to 4mm<sup>2</sup> crimping cable.

Specially designed for DC-DC, air-conditioner, and other equipment in xEV device applications.

### KEY FEATURES

Integrated internal HVIL

Current rating up to 23A

Two-stage, tool or thumb activated latching

No tool required to unmate

Sealing, IP67 (mated), IP6K9K

Touch-proof, IP2XB

Multiple coding positions

CPA available

### MECHANICAL

|                                |  |
|--------------------------------|--|
| Durability                     | ≥ 50 mating cycles                     |
| Wire range                     | 2.5 to 4 mm <sup>2</sup> shielded wire |
| Insertion and extraction force | < 100N                                 |
| Connection type                | Crimping                               |
| Latching style                 | Two stage, finger actuated             |
| HVIL                           | Integrated                             |
| CPA                            | Available                              |

### ELECTRICAL

|                              |                                    |
|------------------------------|------------------------------------|
| Rated voltage                | 800V DC                            |
| Rated current                | 23A Max @ ambient temperature 70°C |
| Insulator resistance         | > 200MΩ                            |
| Dielectric withstand voltage | 3000V AC                           |
| Shielding                    | 360° from wire to device           |

### ENVIRONMENTAL

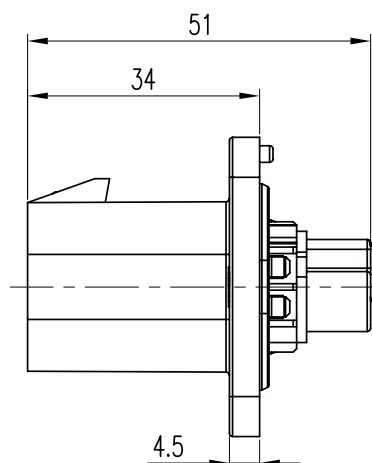
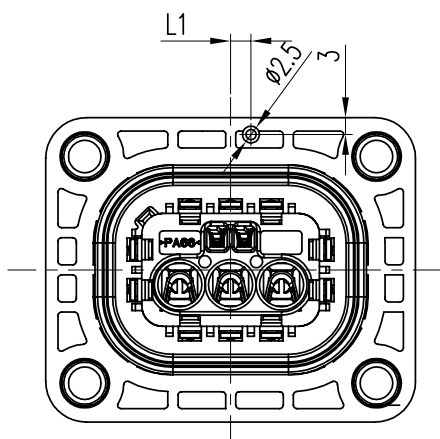
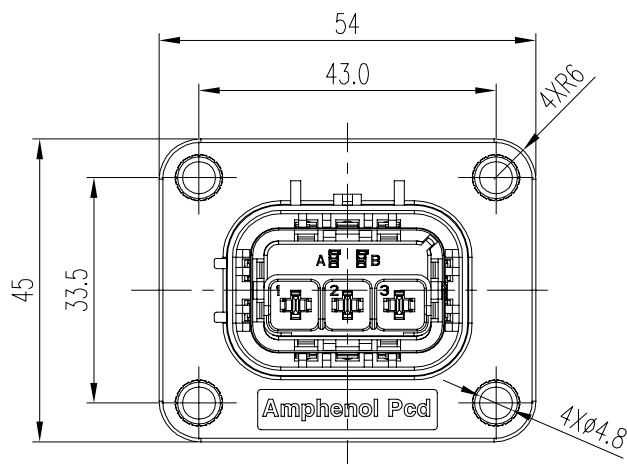
|                   |                      |
|-------------------|----------------------|
| Sealing           | IP67, IP6K9K (mated) |
| Touch-proof       | IP2XB                |
| Temperature range | -40°C to 125°C       |

### MATERIAL

|           |                                      |
|-----------|--------------------------------------|
| Terminals | Copper/copper alloy with tin plating |
| Housing   | PA66 + GF                            |



## RECEPTACLE



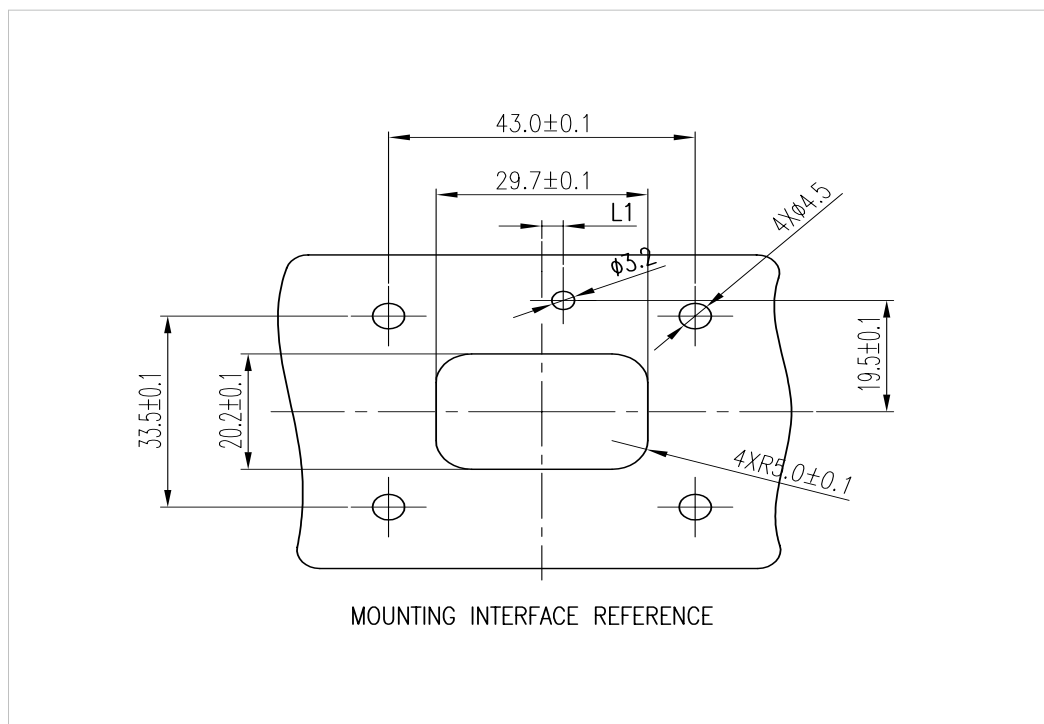
## CONTACTS

All connectors do not include contacts. Please order them separately (ref: P/N below)

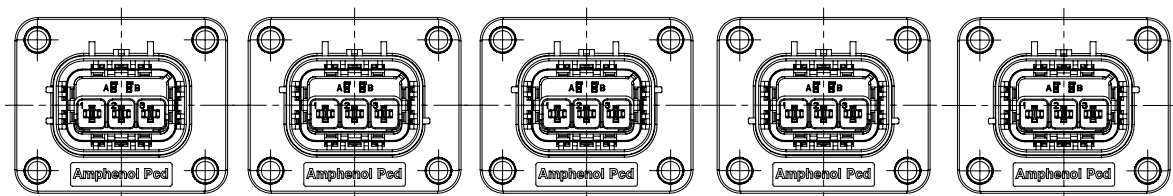
| For HVSL280023XX04                      | For HVSL280023XX04                 |
|---|------------------------------------|
| Pin contact: crimping                   | Pin signal contact (HVIL)          |
| P/N: C310003611                         | P/N: C310003613                    |
|   |                                    |
| 2.5 to 4mm <sup>2</sup> unshielded wire | 0.5mm <sup>2</sup> unshielded wire |

PANEL MOUNTING DIMENSIONS

| CODING           | A | B  | C  | D  | E  |
|------------------|---|----|----|----|----|
| L1 (Receptacle)  | 0 | 3  | 6  | -3 | -6 |
| L1 (Panel mount) | 0 | -3 | -6 | 3  | 6  |



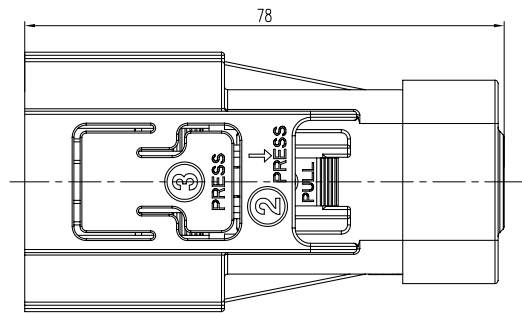
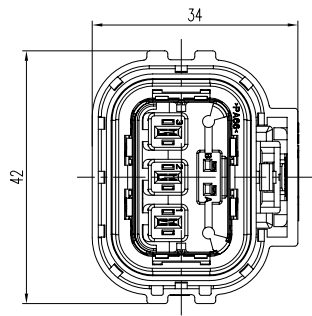
INSERT ORIENTATIONS



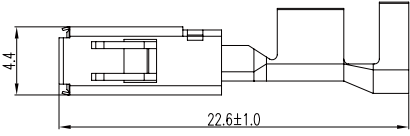
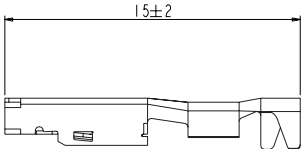
|     | Coding A       | Coding B       | Coding C       | Coding D       | Coding E       |
|-----|----------------|----------------|----------------|----------------|----------------|
| P/N | HVSL280 02 3 A | HVSL280 02 3 B | HVSL280 02 3 C | HVSL280 02 3 D | HVSL280 02 3 E |

# Excel|Mate Eco (HVSL 280)

## PLUG



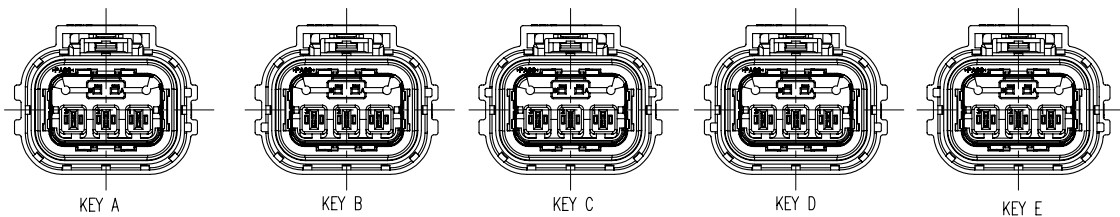
## CONTACTS

| All connectors do not include contacts. Please order them separately (ref: P/N below) |  |
|---|--|
| For HVSL280063XX04XX  | For HVSL280063XX04XX   |
| Socket contact  | Socket signal contact (HVIL)   |
| P/N: C310003612   | P/N: C310003614  |
|    |  |
| 2.5 to 4mm <sup>2</sup> shielded wire   | 0.5mm <sup>2</sup> unshielded wire   |

Sealing gasket for HVSL280063XX04XX:

| 12                    | 11                    | 10                    |
|-----------------------|-----------------------|-----------------------|
| P/N: C270003607       | P/N: C2700036071      | P/N: C2700036072      |
| 12 ± 0.2 mm (Wire OD) | 11 ± 0.2 mm (Wire OD) | 10 ± 0.2 mm (Wire OD) |

## INSERT ORIENTATIONS



|     | Coding A       | Coding B       | Coding C       | Coding D       | Coding E       |
|-----|----------------|----------------|----------------|----------------|----------------|
| P/N | HVSL280 06 3 A | HVSL280 06 3 B | HVSL280 06 3 C | HVSL280 06 3 D | HVSL280 06 3 E |

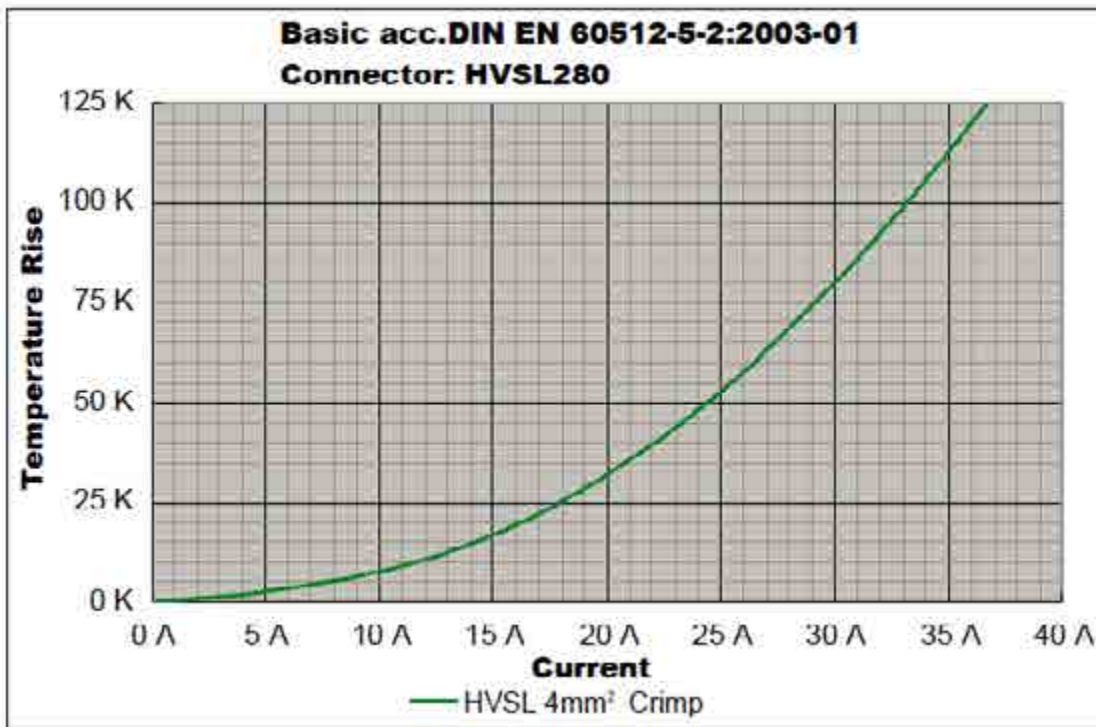
## HOW TO ORDER: PLUG

|                                     | HVSL280  | 06 | 3 | A | 0 | 03 | 10 |
|-------------------------------------|--|----|---|---|---|----|----|
| <b>Product type:</b>                | <b>06:</b> Straight plug   |    |   |   |   |    |    |
| <b>Position:</b>                    | <b>3:</b> 3 positions  |    |   |   |   |    |    |
| <b>Coding / Alternate position:</b> | <b>A:</b> Coding A<br><b>B:</b> Coding B<br><b>C:</b> Coding C<br><b>D:</b> Coding D<br><b>E:</b> Coding E |    |   |   |   |    |    |
| <b>Interlock:</b>                   | <b>0:</b> Without interlock<br><b>1:</b> With interlock  |    |   |   |   |    |    |
| <b>Cable size:</b>                  | <b>03:</b> 2.5mm <sup>2</sup><br><b>04:</b> 4mm <sup>2</sup>   |    |   |   |   |    |    |
| <b>Sealing gasket:</b>              | <b>10:</b> 10mm (Wire OD)<br><b>11:</b> 11mm (Wire OD)<br><b>12:</b> 12mm (Wire OD)                        |    |   |   |   |    |    |

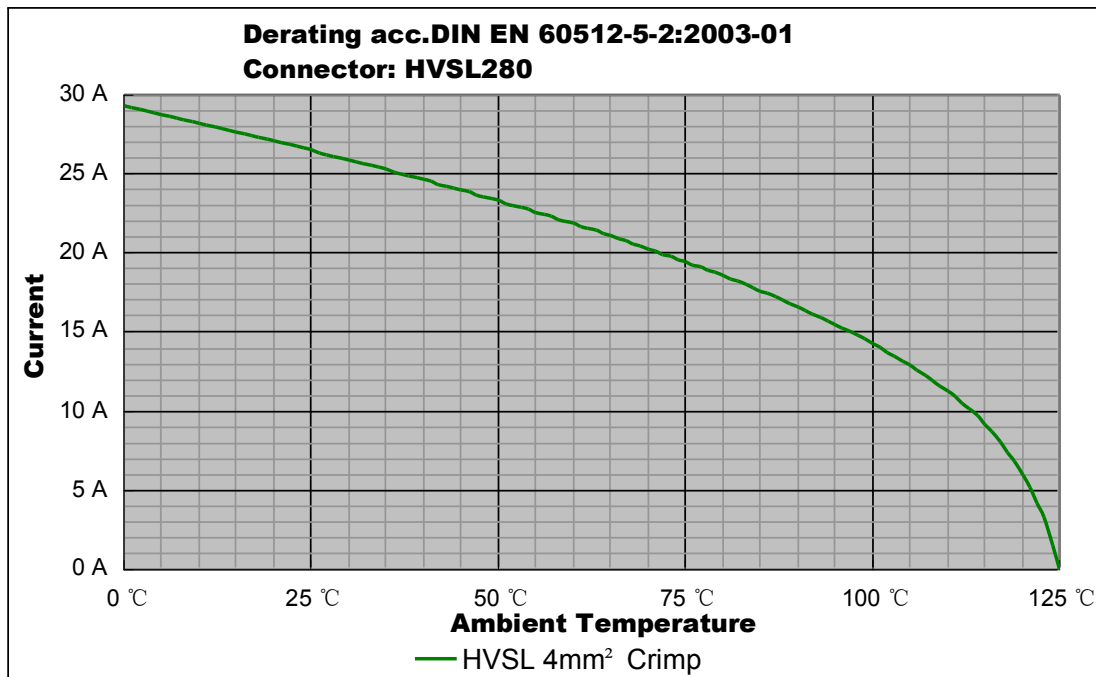
## HOW TO ORDER: RECEPTACLE

|                                     | HVSL280  | 02 | 3 | A |
|-------------------------------------|--|----|---|---|
| <b>Product type:</b>                | <b>02:</b> Box mounted receptacle  |    |   |   |
| <b>Position:</b>                    | <b>3:</b> 3 positions  |    |   |   |
| <b>Coding / Alternate position:</b> | <b>A:</b> Coding A<br><b>B:</b> Coding B<br><b>C:</b> Coding C<br><b>D:</b> Coding D<br><b>E:</b> Coding E |    |   |   |

## HVSL 280 | Temperature Rise



## HVSL 280 | Derating Curve



Remark: tests carried out on the complete connector.

## Excel|Mate Eco (HVSL282 2 PIN connector)



### HVSL282

**HVSL282** is a 2 position connector with plastic housing, high voltage, integrated HVIL. It provides a current carrying capacity from 16 to 32A and 2.5 to 4mm<sup>2</sup> crimping cable.

Specially designed for DC-DC, air-conditioner, and other equipment in xEV device applications.

### KEY FEATURES

Integrated internal HVIL

Current rating up to 32A

Two-stage, tool or thumb activated latching

No tool required to unmate

Sealing, IP67 (mated), IP6K9K

Touch-proof, IP2XB

Multiple coding positions

CPA available

### MECHANICAL

|                                |  |
|--------------------------------|--|
| Durability                     | ≥ 50 mating cycles                     |
| Wire range                     | 2.5 to 4 mm <sup>2</sup> shielded wire |
| Insertion and extraction force | < 100N                                 |
| Connection type                | Crimping                               |
| Latching style                 | Two stage, finger actuated             |
| HVIL                           | Integrated                             |
| CPA                            | Available                              |

### ELECTRICAL

|                              |                                    |
|------------------------------|------------------------------------|
| Rated voltage                | 800V DC                            |
| Rated current                | 32A Max @ ambient temperature 70°C |
| Insulator resistance         | > 200MΩ                            |
| Dielectric withstand voltage | 3000V AC                           |
| Shielding                    | 360° from wire to device           |

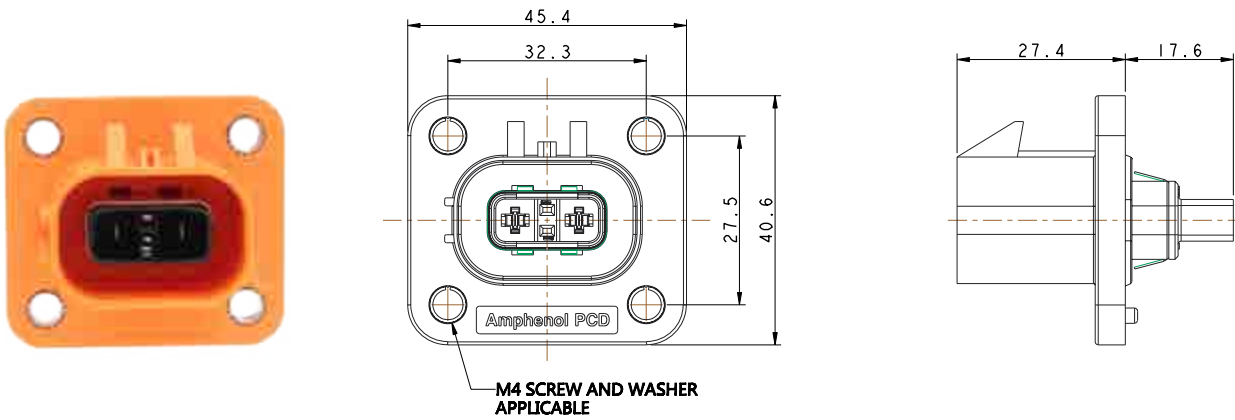
### ENVIRONMENTAL

|                   |                      |
|-------------------|----------------------|
| Sealing           | IP67, IP6K9K (mated) |
| Touch-proof       | IP2XB                |
| Temperature range | -40°C to 125°C       |

### MATERIAL

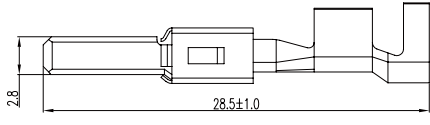
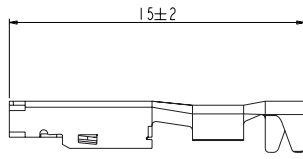
|           |                                      |
|-----------|--------------------------------------|
| Terminals | Copper/copper alloy with tin plating |
| Housing   | PA66 + GF                            |

RECEPTACLE

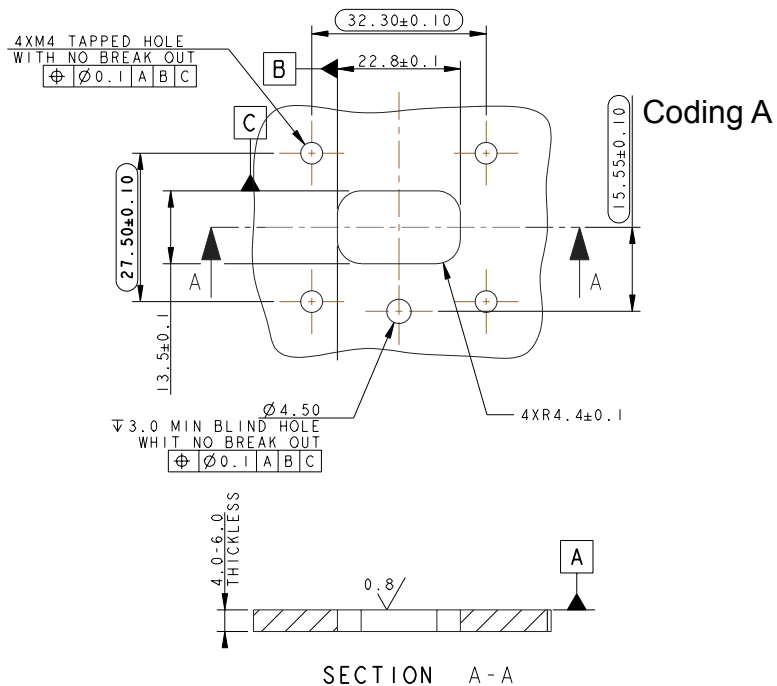


CONTACTS

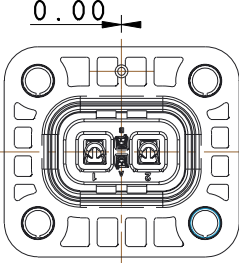
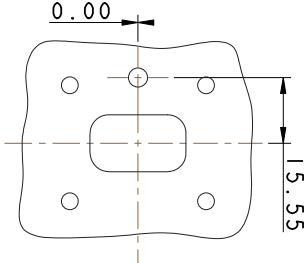
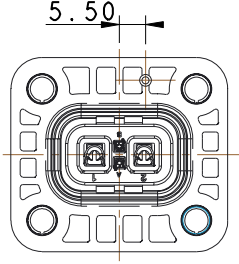
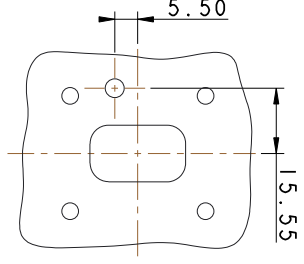
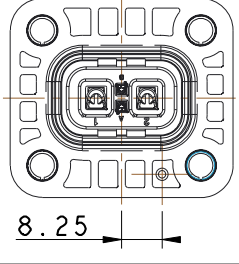
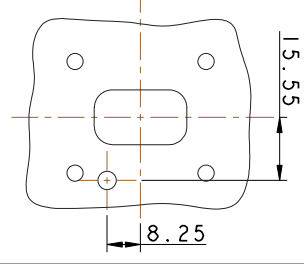
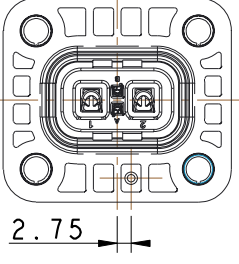
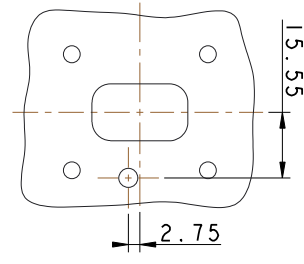
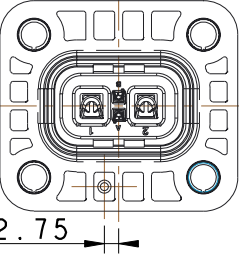
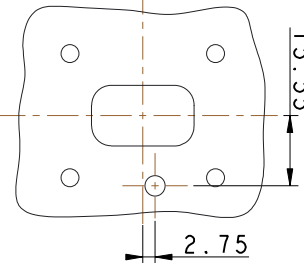
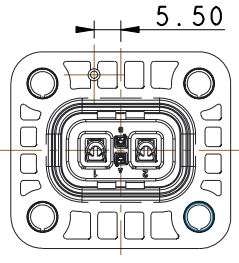
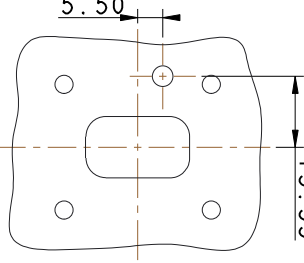
All connectors do not include contacts. Please order them separately (ref: P/N below)

| Pin contact: crimping   | Socket signal contact (HVIL)   |
|---|--|
| P/N: C310003611   | P/N: C310003614  |
|  |  |
| 2.5 to 4mm <sup>2</sup> unshielded wire   | 0.5mm <sup>2</sup> unshielded wire   |

PANEL MOUNTING DIMENSION

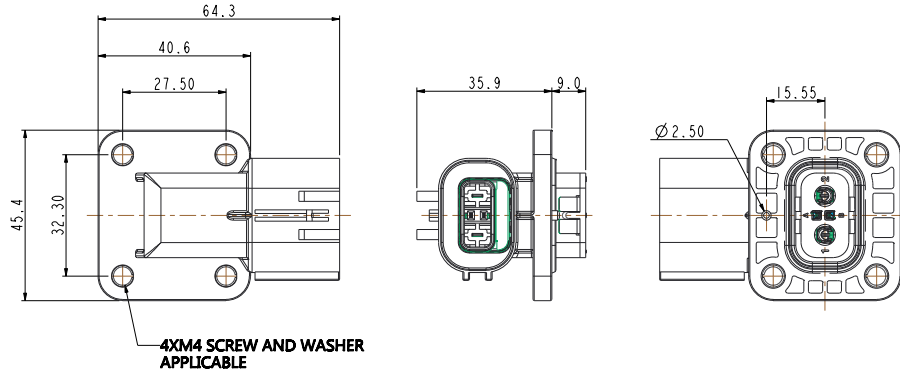


PANEL MOUNTING HOLES POSITIONS

| PART NUMBER    | INSERT ORIENTATION  | PANEL MOUNTING DIMENSION  |
|----------------|---|---|
| HVSL282 02 2 A |    |    |
| HVSL282 02 2 B |    |    |
| HVSL282 02 2 C |   |   |
| HVSL282 02 2 D |  |  |
| HVSL282 02 2 E |  |  |
| HVSL282 02 2 F |  |  |

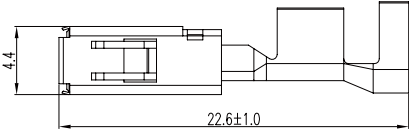
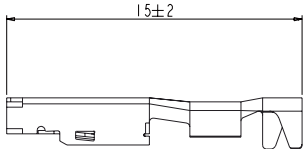


RIGHT-ANGLE RECEPTACLE

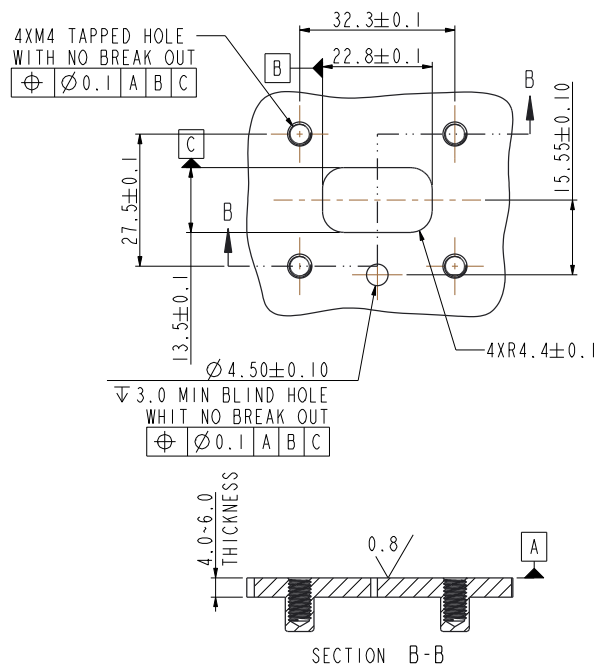


CONTACTS

All connectors do not include contacts. Please order them separately (ref: P/N below)

| Socket contact: crimping  | Socket signal contact (HVIL)   |
|---|--|
| P/N: C310003612   | P/N: C310003614  |
|  |  |
| 2.5 to 4mm <sup>2</sup> shielded wire   | 0.5mm <sup>2</sup> unshielded wire   |

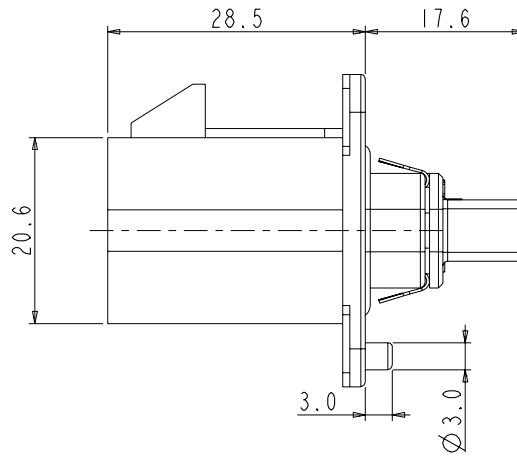
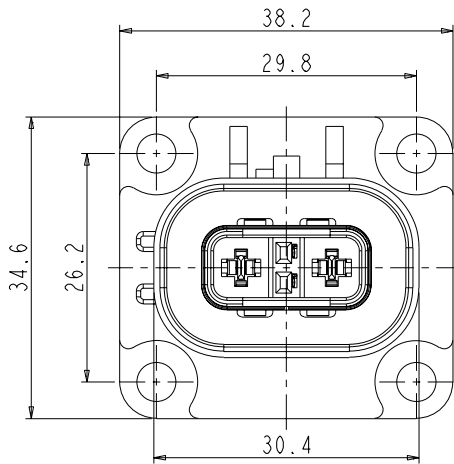
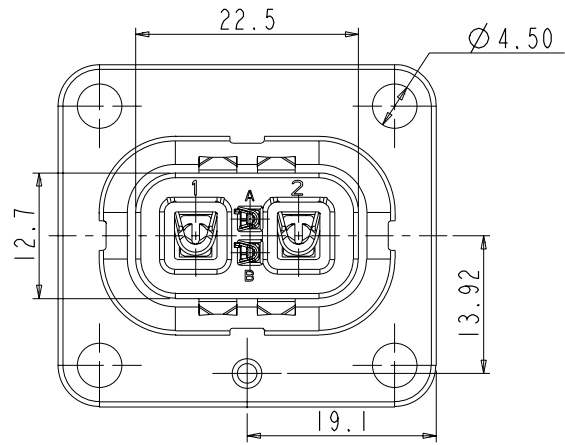
PANEL MOUNTING DIMENSION



## PANEL MOUNTING HOLES POSITIONS

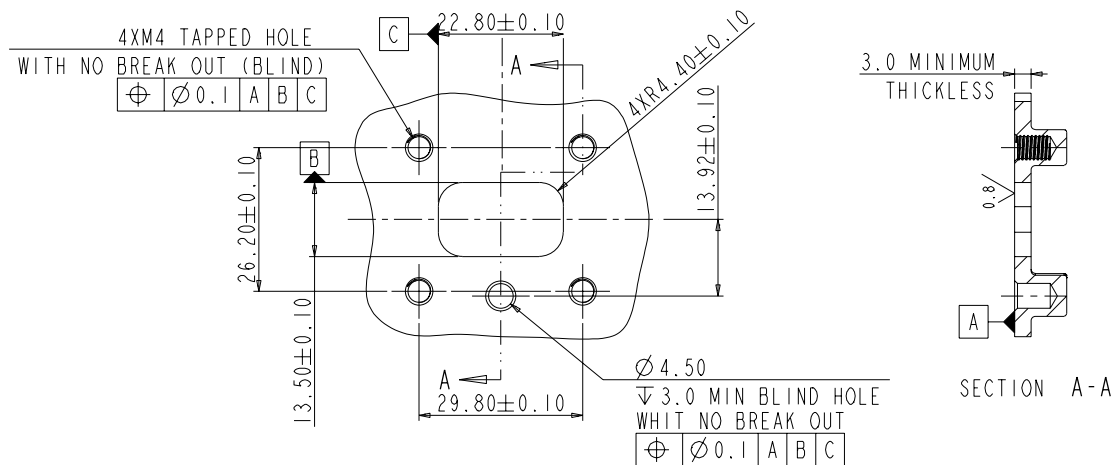
| PART NUMBER     | INSERT ORIENTATION | PANEL MOUNTING DIMENSION |
|-----------------|--------------------|--------------------------|
| HVSL282 04 2 AX |                    |                          |
| HVSL282 04 2 BX |                    |                          |
| HVSL282 04 2 CX |                    |                          |
| HVSL282 04 2 DX |                    |                          |
| HVSL282 04 2 EX |                    |                          |
| HVSL282 04 2 FX |                    |                          |

RECEPTACLE: METAL SHELL

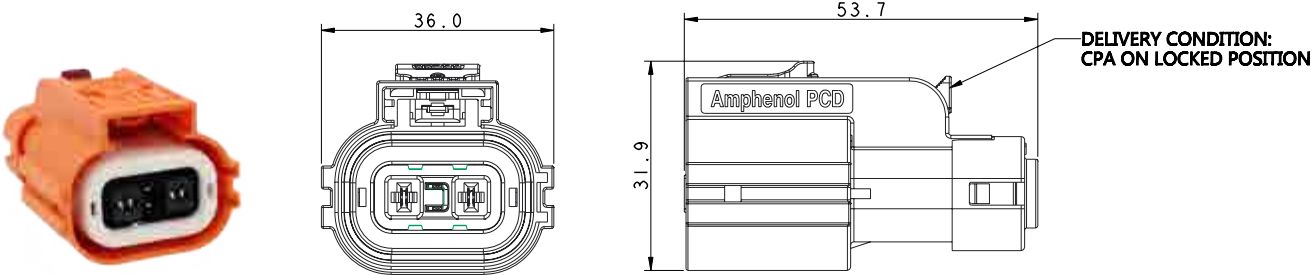


PANEL MOUNTING DIMENSION

PANEL CUT-OUT REFERENCE



PLUG



CONTACTS

| All connectors do not include contacts. Please order them separately (ref: P/N below) |                             |
|---|-----------------------------|
| Socket contact: crimping  | HVIL contacts               |
| P/N: C310003612   | Integrated, no need to buy. |
|   |                             |
| 2.5 to 4mm <sup>2</sup> shielded wire   |                             |

INSERT ORIENTATIONS

|     |                |                |                |                |                |                |
|-----|----------------|----------------|----------------|----------------|----------------|----------------|
|     |                |                |                |                |                |                |
|     | Coding A       | Coding B       | Coding C       | Coding D       | Coding E       | Coding F       |
| P/N | HVSL282 06 2 A | HVSL282 06 2 B | HVSL282 06 2 C | HVSL282 06 2 D | HVSL282 06 2 E | HVSL282 06 2 F |

# HOW TO ORDER (HVSL 282)

## HOW TO ORDER: PLUG

|                                     |                                      |    |                    |   |   |    |   |
|-------------------------------------|--------------------------------------|----|--------------------|---|---|----|---|
|                                     | HVSL282                              | 06 | 2                  | A | 0 | 03 | I |
| <b>Product type:</b>                | <b>06:</b> Straight plug             |    |                    |   |   |    |   |
| <b>Position:</b>                    | <b>2:</b> 2 positions                |    |                    |   |   |    |   |
| <b>Coding / Alternate position:</b> | <b>A:</b> Coding A                   |    | <b>D:</b> Coding D |   |   |    |   |
|                                     | <b>B:</b> Coding B                   |    | <b>E:</b> Coding E |   |   |    |   |
|                                     | <b>C:</b> Coding C                   |    | <b>F:</b> Coding F |   |   |    |   |
| <b>HVIL:</b>                        | <b>0:</b> Without HVIL               |    |                    |   |   |    |   |
|                                     | <b>1:</b> With HVIL                  |    |                    |   |   |    |   |
| <b>Cable size:</b>                  | <b>03:</b> 2.5mm <sup>2</sup>        |    |                    |   |   |    |   |
|                                     | <b>04:</b> 4mm <sup>2</sup>          |    |                    |   |   |    |   |
| <b>Wire type:</b>                   | <b>I:</b> Individually shielded wire |    |                    |   |   |    |   |

## HOW TO ORDER: RECEPTACLES

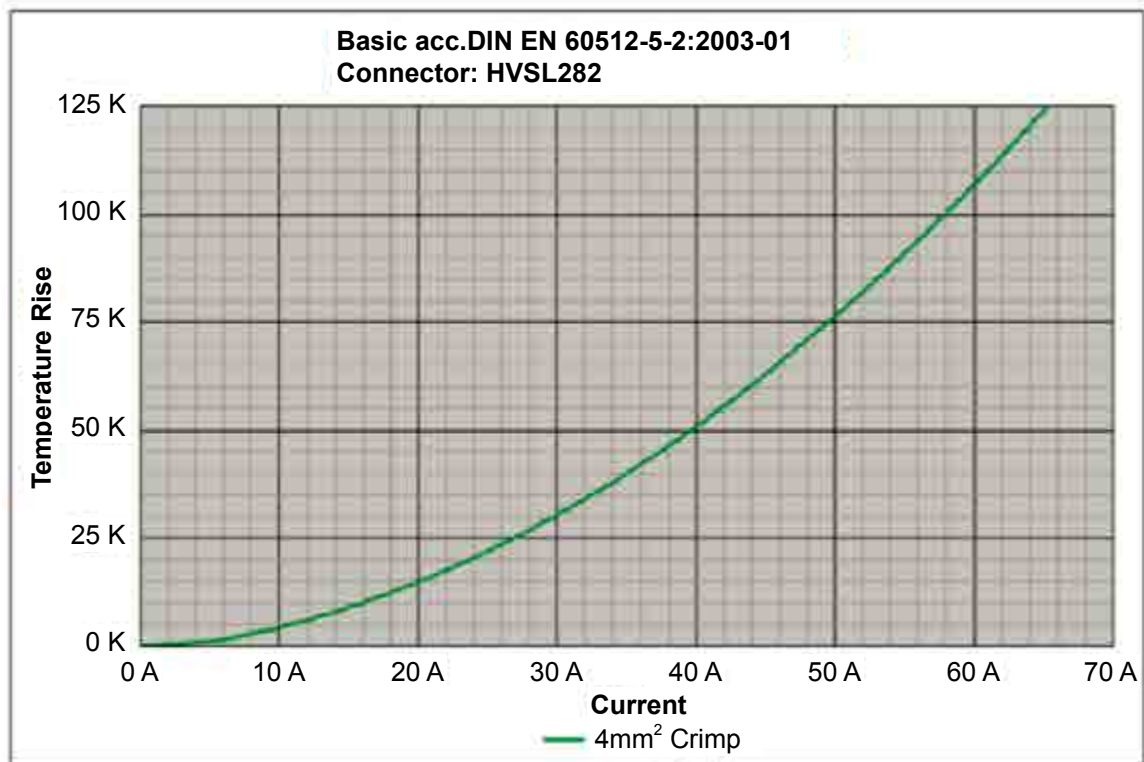
|                                     |                                   |    |                    |   |  |
|-------------------------------------|-----------------------------------|----|--------------------|---|--|
|                                     | HVSL282                           | 02 | 2                  | A |  |
| <b>Product type:</b>                | <b>02:</b> Box mounted receptacle |    |                    |   |  |
| <b>Position:</b>                    | <b>2:</b> 2 positions             |    |                    |   |  |
| <b>Coding / Alternate position:</b> | <b>A:</b> Coding A                |    | <b>D:</b> Coding D |   |  |
|                                     | <b>B:</b> Coding B                |    | <b>E:</b> Coding E |   |  |
|                                     | <b>C:</b> Coding C                |    | <b>F:</b> Coding F |   |  |

|                                     |                                   |    |                    |   |   |
|-------------------------------------|-----------------------------------|----|--------------------|---|---|
|                                     | HVSL282                           | 04 | 2                  | A | X |
| <b>Product type:</b>                | <b>04:</b> Right-angle receptacle |    |                    |   |   |
| <b>Position:</b>                    | <b>2:</b> 2 positions             |    |                    |   |   |
| <b>Coding / Alternate position:</b> | <b>A:</b> Coding A                |    | <b>D:</b> Coding D |   |   |
|                                     | <b>B:</b> Coding B                |    | <b>E:</b> Coding E |   |   |
|                                     | <b>C:</b> Coding C                |    | <b>F:</b> Coding F |   |   |
| <b>HVIL</b>                         | <b>0:</b> without HVIL            |    |                    |   |   |
|                                     | <b>1:</b> with HVIL               |    |                    |   |   |

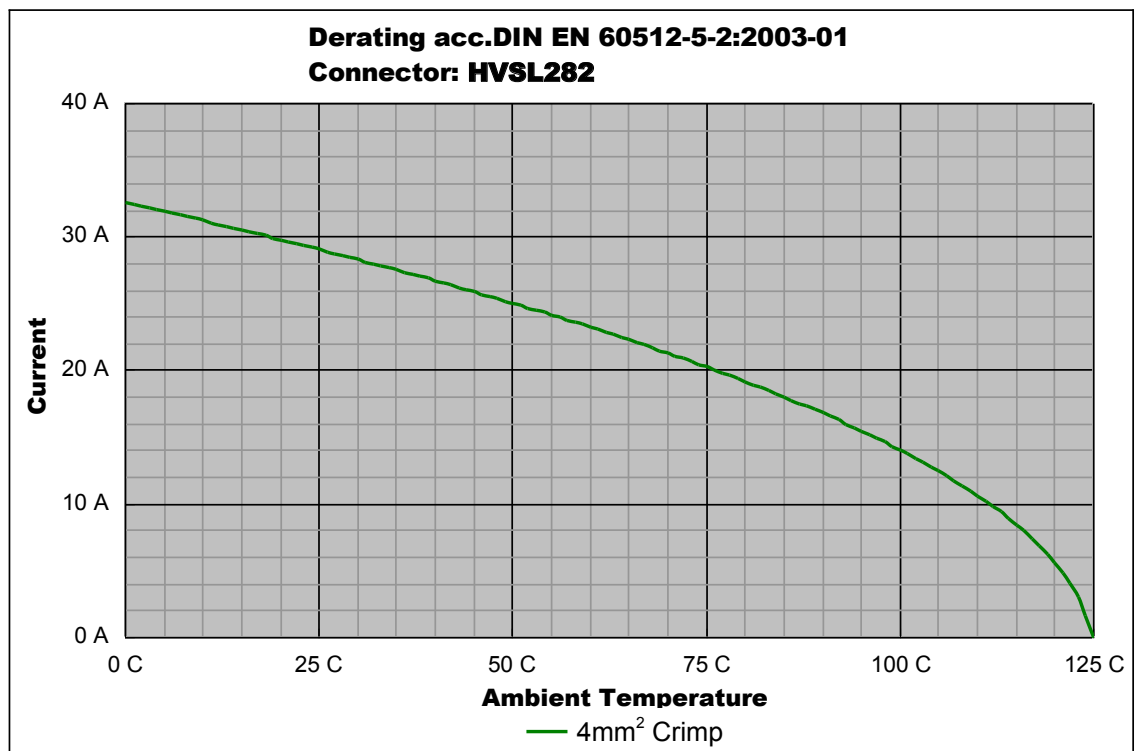
## RECEPTACLE: METAL SHELL

|                                     |                                   |    |                    |   |  |
|-------------------------------------|-----------------------------------|----|--------------------|---|--|
|                                     | HVSLM282                          | 02 | 2                  | A |  |
| <b>Product type:</b>                | <b>02:</b> Box mounted receptacle |    |                    |   |  |
| <b>Position:</b>                    | <b>2:</b> 2 positions             |    |                    |   |  |
| <b>Coding / Alternate position:</b> | <b>A:</b> Coding A                |    | <b>D:</b> Coding D |   |  |
|                                     | <b>B:</b> Coding B                |    | <b>E:</b> Coding E |   |  |
|                                     | <b>C:</b> Coding C                |    | <b>F:</b> Coding F |   |  |

HVSL 282 | Temperature Rise



HVSL 282 | Derating Curve



Remark: tests carried out on the complete connector.

# Excel|Mate Eco (HVSL 362)

Excel|Mate Eco (HVSL362 2 PIN connector)



## HVSL362

**HVSL362** is a 2 position connector with plastic housing, high voltage, integrated HVIL. It provides a current carrying capacity up to 60A and a 6 to 10mm<sup>2</sup> crimping cable.

Specially designed for DC-DC, air-conditioner, and other equipment in xEV device applications.

### KEY FEATURES

Integrated internal HVIL

Current rating up to 60A

Two-stage, tool or thumb activated latching

No tool required to unmate

Sealing, IP67 (mated), IP6K9K

Touch-proof, IP2XB

Multiple coding positions

CPA available

### MECHANICAL

|                                |                                      |
|--------------------------------|--------------------------------------|
| Durability                     | ≥ 50 mating cycles                   |
| Wire range                     | 6 to 10mm <sup>2</sup> shielded wire |
| Insertion and extraction force | < 100N                               |
| Connection type                | Crimping                             |
| Latching style                 | Two stage, finger actuated           |
| HVIL                           | Integrated                           |
| CPA                            | Available                            |

### ELECTRICAL

|                              |                                    |
|------------------------------|------------------------------------|
| Rated voltage                | 800V DC                            |
| Rated current                | 60A Max @ ambient temperature 70°C |
| Insulator resistance         | > 200MΩ                            |
| Dielectric withstand voltage | 3000V AC                           |
| Shielding                    | 360° from wire to device           |

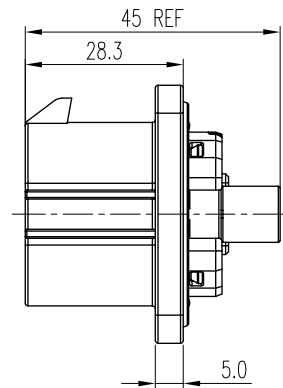
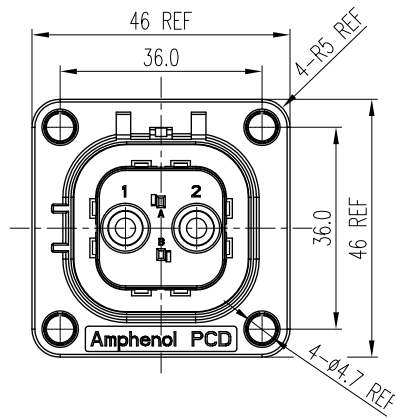
### ENVIRONMENTAL

|                   |                      |
|-------------------|----------------------|
| Sealing           | IP67, IP6K9K (mated) |
| Touch-proof       | IP2XB                |
| Temperature range | -40°C to 125°C       |

### MATERIAL

|           |   |
|-----------|---|
| Terminals | Copper/copper alloy with silver plating |
| Housing   | PA66 + GF                               |

RECEPTACLE

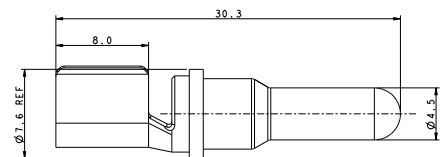


CONTACTS

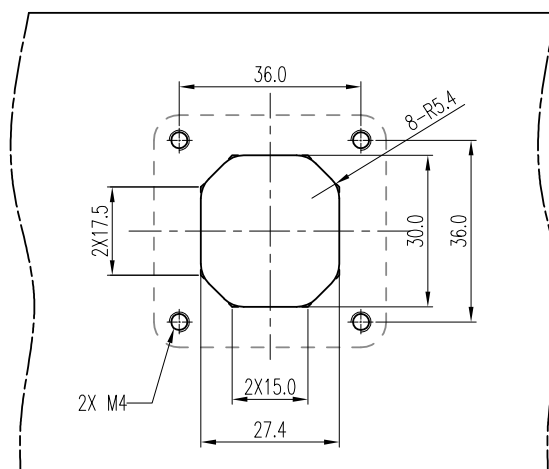
All connectors do not include contacts. Please order them separately (ref: P/N below)

CONTACTS

|                 |                        |
|-----------------|------------------------|
| HVIL contacts   | 6 to 10mm <sup>2</sup> |
| P/N: C310003614 | P/N: C3100235011       |



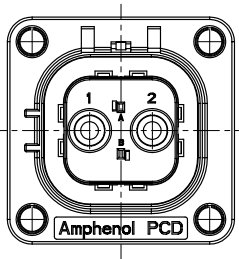
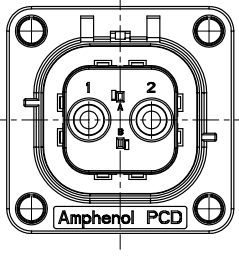
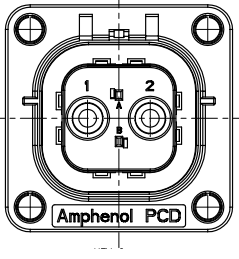
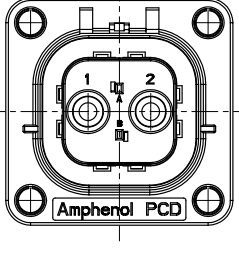
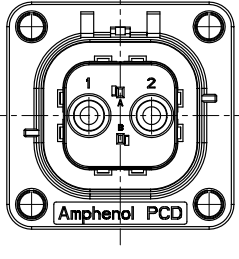
PANEL MOUNTING DIMENSION



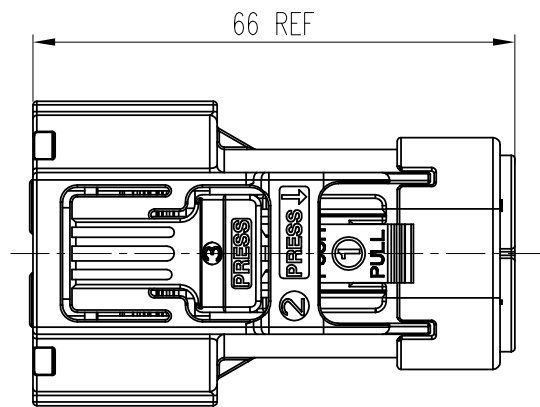
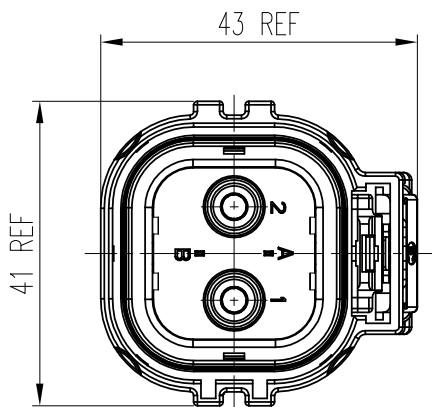
MOUNTING INTERFACE SPECIFICATION  
RECOMMENDED THICKNESS: 3.0mm Min



PANEL MOUNTING HOLES POSITIONS

| PART NUMBER   | INSERT ORIENTATION   |
|---------------|--|
| HVSL362 022 A |    |
| HVSL362 022 B |   |
| HVSL362 022 C |  |
| HVSL362 022 D |  |
| HVSL362 022 E |  |

PLUG

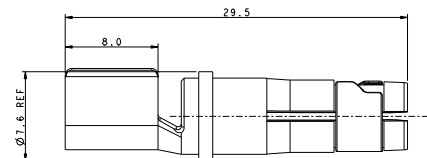


CONTACTS

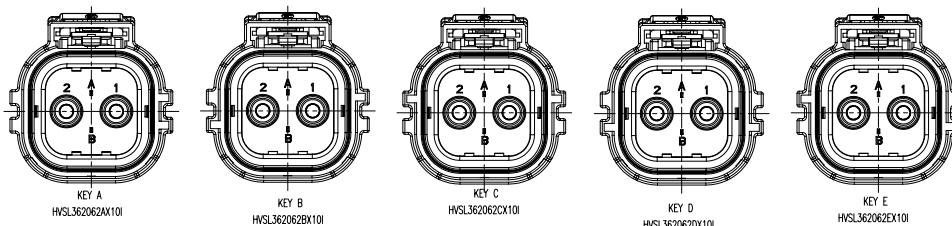
All connectors do not include contacts. Please order them separately (ref: P/N below)

CONTACTS

|                             |                        |
|-----------------------------|------------------------|
| HVIL contacts               | 6 to 10mm <sup>2</sup> |
| Integrated, no need to buy. | P/N: C3100235021       |



INSERT ORIENTATIONS



|     |               |               |               |               |               |
|-----|---------------|---------------|---------------|---------------|---------------|
|     | Coding A      | Coding B      | Coding C      | Coding D      | Coding E      |
| P/N | HVSL362 062 A | HVSL362 062 B | HVSL362 062 C | HVSL362 062 D | HVSL362 062 E |

# HOW TO ORDER (HVSL 362)

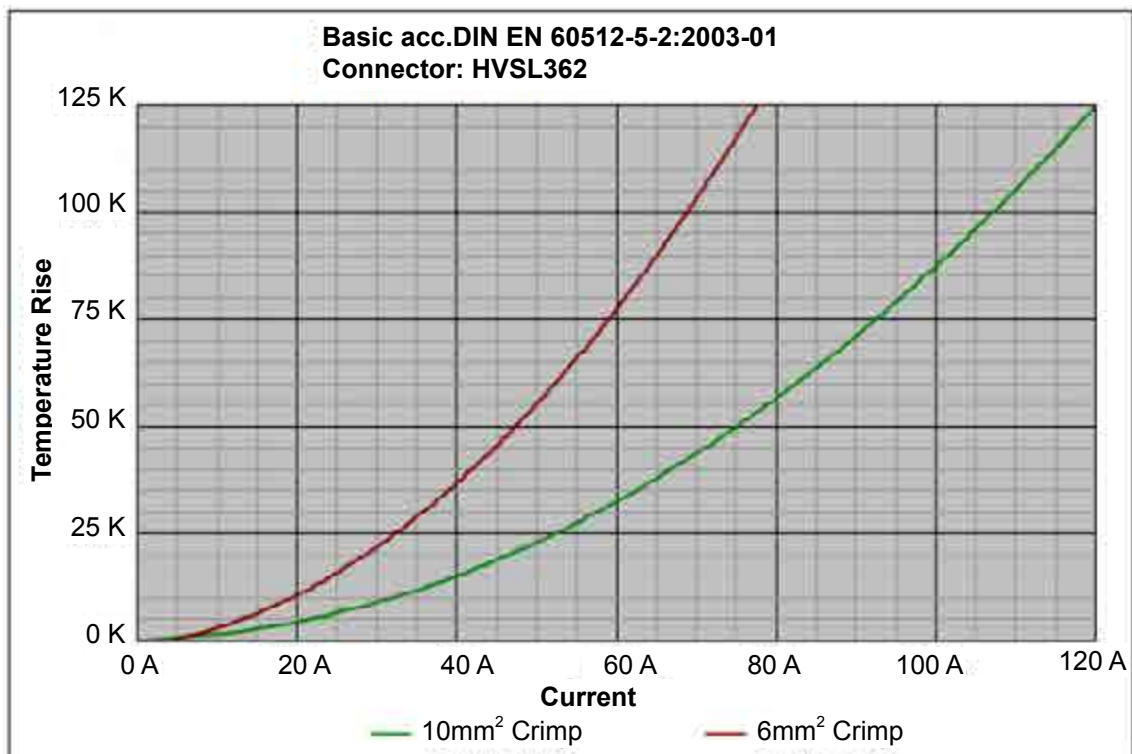
## HOW TO ORDER: PLUG

|                                     |  | HVSL362 | 06 | 2 | A | 0 | 06 | I |
|-------------------------------------|--|---------|----|---|---|---|----|---|
| <b>Product type:</b>                | <b>06:</b> Straight plug   |         |    |   |   |   |    |   |
| <b>Position:</b>                    | <b>2:</b> 2 positions  |         |    |   |   |   |    |   |
| <b>Coding / Alternate position:</b> | <b>A:</b> Coding A<br><b>B:</b> Coding B<br><b>C:</b> Coding C<br><b>D:</b> Coding D<br><b>E:</b> Coding E |         |    |   |   |   |    |   |
| <b>Interlock:</b>                   | <b>0:</b> Without interlock<br><b>1:</b> With interlock  |         |    |   |   |   |    |   |
| <b>Cable size:</b>                  | <b>06:</b> 6mm <sup>2</sup><br><b>10:</b> 10mm <sup>2</sup>  |         |    |   |   |   |    |   |
| <b>Wire type:</b>                   | <b>I:</b> Individually shielded wire   |         |    |   |   |   |    |   |

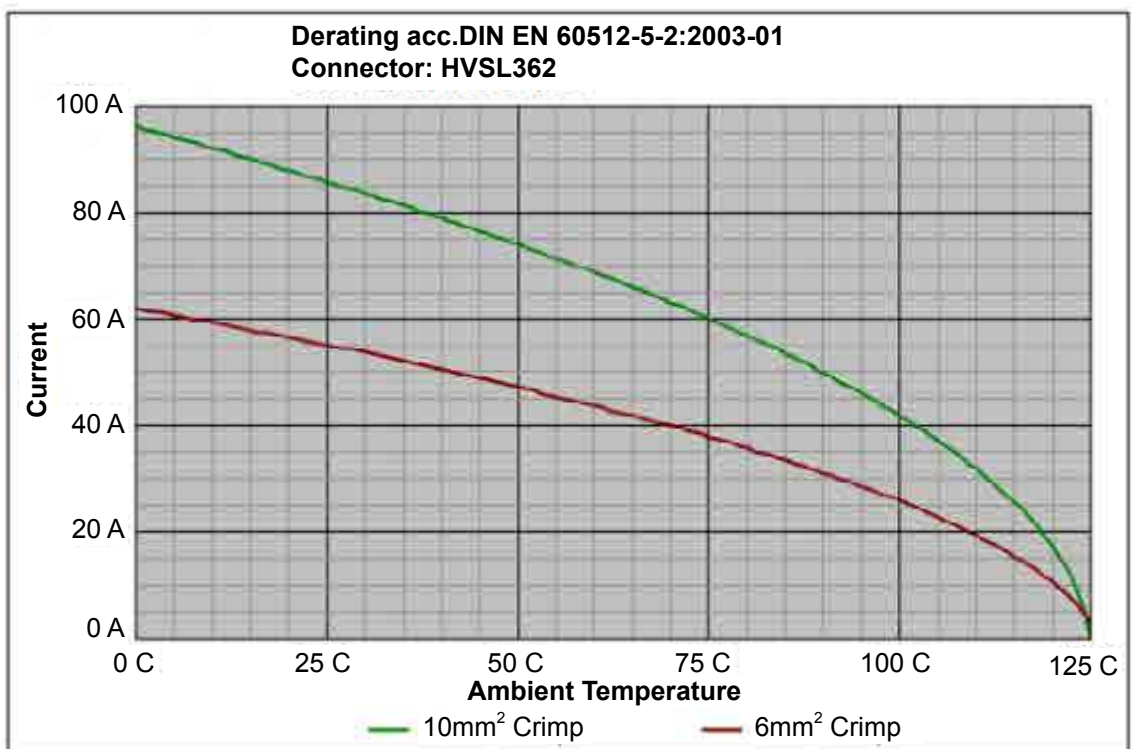
## HOW TO ORDER: RECEPTACLE

|                                     |  | HVSL362 | 02 | 2 | A |
|-------------------------------------|--|---------|----|---|---|
| <b>Product type:</b>                | <b>02:</b> Box mounted receptacle  |         |    |   |   |
| <b>Position:</b>                    | <b>2:</b> 2 positions  |         |    |   |   |
| <b>Coding / Alternate position:</b> | <b>A:</b> Coding A<br><b>B:</b> Coding B<br><b>C:</b> Coding C<br><b>D:</b> Coding D<br><b>E:</b> Coding E |         |    |   |   |

HVSL 362 | Temperature Rise



HVSL 362 | Derating Curve



Remark: tests carried out on the complete connector.

# Excel|Mate Eco (HVSL 364)

Excel|Mate Eco (HVSL364 4 PIN connector)



## HVSL364

**HVSL364** is a 4 position connector with plastic housing, high voltage, integrated HVIL. It provides a current carrying capacity up to 46A and 2.5 to 6mm<sup>2</sup> crimping cable.

Specially designed for DC-DC, air-conditioner, and other equipment in xEV device applications.

### KEY FEATURES

Integrated internal HVIL

Current rating up to 46A

Two-stage, tool or thumb activated latching

No tool required to unmate

Sealing, IP67 (mated), IP6K9K

Touch-proof, IP2XB

Multiple coding positions

CPA available

### MECHANICAL

|                                |                                       |
|--------------------------------|---------------------------------------|
| Durability                     | ≥ 50 mating cycles                    |
| Wire range                     | 2.5 to 6mm <sup>2</sup> shielded wire |
| Insertion and extraction force | < 100N                                |
| Connection type                | Crimping                              |
| Latching style                 | Two stage, finger actuated            |
| HVIL                           | Integrated                            |
| CPA                            | Available                             |

### ELECTRICAL

|                              |                                    |
|------------------------------|------------------------------------|
| Rated voltage                | 800V DC                            |
| Rated current                | 46A Max @ ambient temperature 70°C |
| Insulator resistance         | > 200MΩ                            |
| Dielectric withstand voltage | 3000V AC                           |
| Shielding                    | 360° from wire to device           |

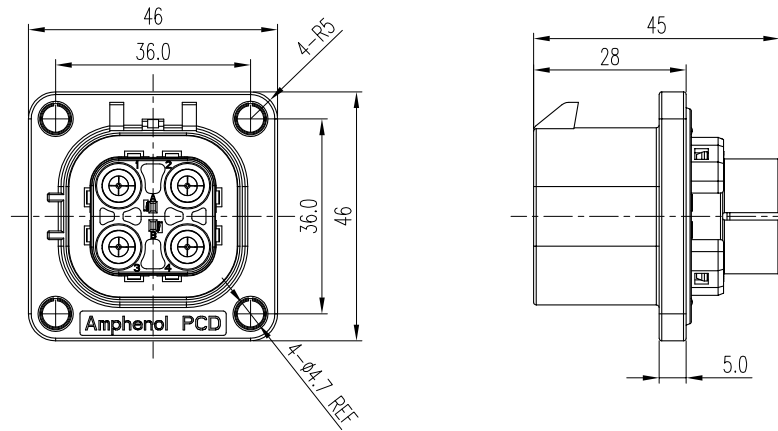
### ENVIRONMENTAL

|                   |                      |
|-------------------|----------------------|
| Sealing           | IP67, IP6K9K (mated) |
| Touch-proof       | IP2XB                |
| Temperature range | -40°C to 125°C       |

### MATERIAL

|           |   |
|-----------|---|
| Terminals | Copper/copper alloy with silver plating |
| Housing   | PA66 + GF                               |

RECEPTACLE

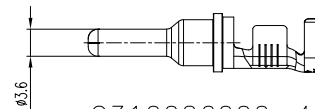


CONTACTS

All connectors do not include contacts. Please order them separately (ref: P/N below)

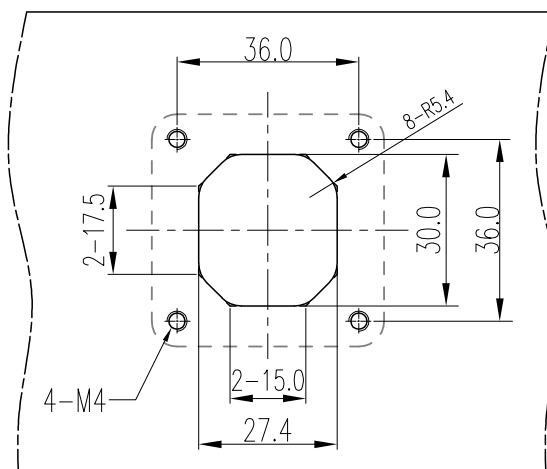
CONTACTS

| HVIL contacts   | 4 to 6mm <sup>2</sup> | 2.5mm <sup>2</sup> |
|-----------------|-----------------------|--------------------|
| P/N: C310003614 | P/N: C310026000       | P/N: C310026002    |



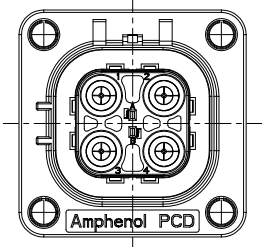
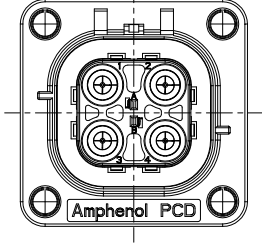
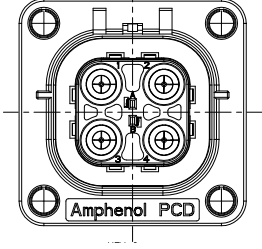
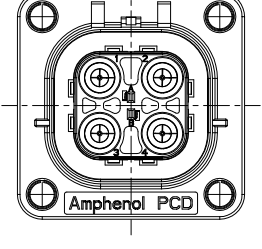
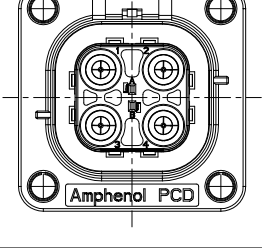
C310026000-4&6mm<sup>2</sup> wire  
C310026002-2.5mm<sup>2</sup> wire

PANEL MOUNTING DIMENSION

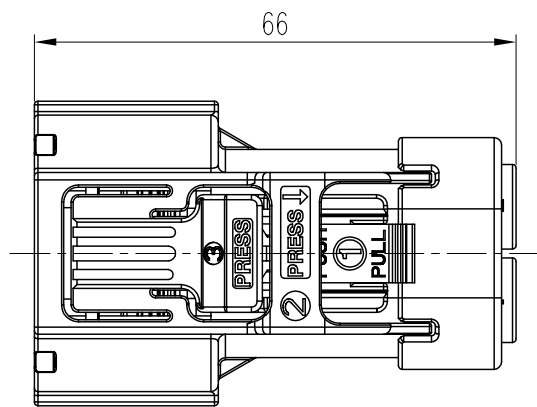
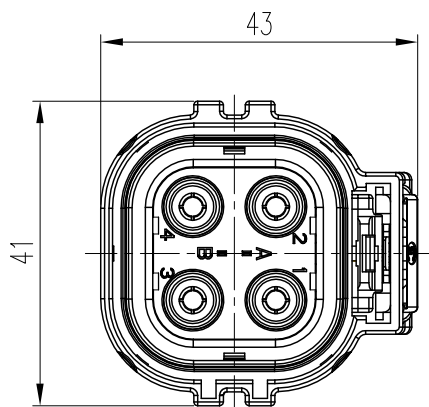


MOUNTING INTERFACE SPECIFICATION  
RECOMMENDED THICKNESS:3.0mm Min

PANEL MOUNTING HOLES POSITIONS

| PART NUMBER   | INSERT ORIENTATION   |
|---------------|--|
| HVSL364 024 A |    |
| HVSL364 024 B |   |
| HVSL364 024 C |  |
| HVSL364 024 D |  |
| HVSL364 024 E |  |

PLUG

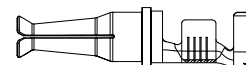


CONTACTS

All connectors do not include contacts. Please order them separately (ref: P/N below)

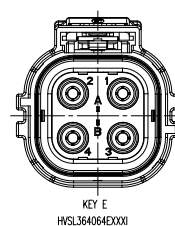
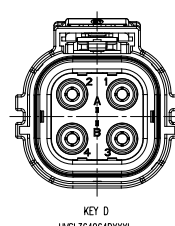
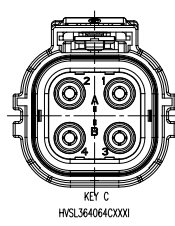
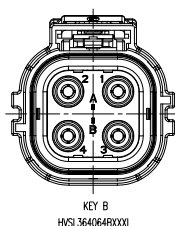
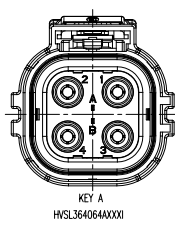
CONTACTS

| HVIL contacts               | 4 to 6mm <sup>2</sup> | 2.5mm <sup>2</sup> |
|-----------------------------|-----------------------|--------------------|
| Integrated, no need to buy. | P/N: C310026001       | P/N: C310026003    |



C310026001 – 4&6mm<sup>2</sup> wire  
C310026003 – 2.5mm<sup>2</sup> wire

INSERT ORIENTATIONS



|     | Coding A      | Coding B      | Coding C      | Coding D      | Coding E      |
|-----|---------------|---------------|---------------|---------------|---------------|
| P/N | HVSL364 064 A | HVSL364 064 B | HVSL364 064 C | HVSL364 064 D | HVSL364 064 E |



# HOW TO ORDER (HVSL 364)

## HOW TO ORDER: PLUG

|                                     |  | HVSL364  | 06 | 4 | A | 0 | 03 | I |
|-------------------------------------|--|--|----|---|---|---|----|---|
| <b>Product type:</b>                |  | <b>06:</b> Straight plug   |    |   |   |   |    |   |
| <b>Position:</b>                    |  | <b>4:</b> 4 position   |    |   |   |   |    |   |
| <b>Coding / Alternate position:</b> |  | <b>A:</b> Coding A<br><b>B:</b> Coding B<br><b>C:</b> Coding C<br><b>D:</b> Coding D<br><b>E:</b> Coding E |    |   |   |   |    |   |
| <b>Interlock:</b>                   |  | <b>0:</b> Without interlock<br><b>1:</b> With interlock  |    |   |   |   |    |   |
| <b>Cable size:</b>                  |  | <b>03:</b> 2.5mm <sup>2</sup><br><b>04:</b> 4mm <sup>2</sup><br><b>06:</b> 6mm <sup>2</sup>                |    |   |   |   |    |   |
| <b>Wire type:</b>                   |  | <b>I:</b> Individually shielded wire   |    |   |   |   |    |   |

## HOW TO ORDER: RECEPTACLE

|                                     |  | HVSL364  | 02 | 4 | A |
|-------------------------------------|--|--|----|---|---|
| <b>Product type:</b>                |  | <b>02:</b> Box mounted receptacle  |    |   |   |
| <b>Position:</b>                    |  | <b>4:</b> 4 positions  |    |   |   |
| <b>Coding / Alternate position:</b> |  | <b>A:</b> Coding A<br><b>B:</b> Coding B<br><b>C:</b> Coding C<br><b>D:</b> Coding D<br><b>E:</b> Coding E |    |   |   |

## ExcelMate PT (HVPT - PASS-THROUGH WITH CABLE GLAND)

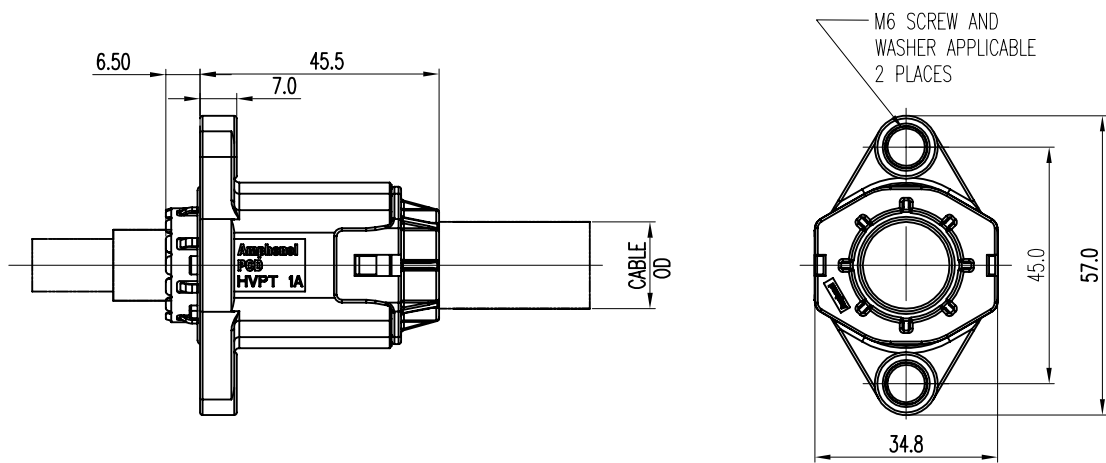
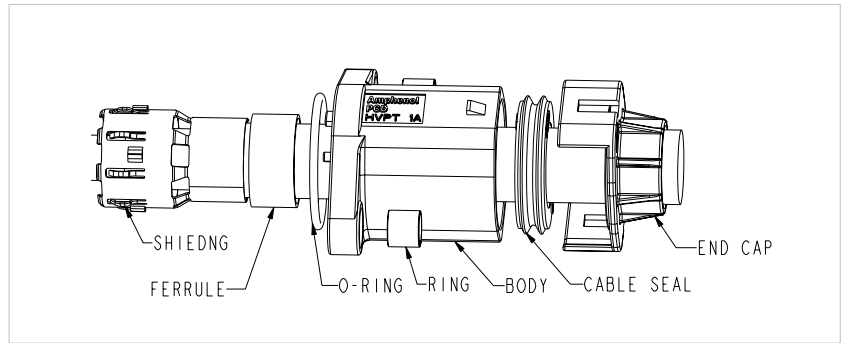


| MECHANICAL                   |   |
|------------------------------|---|
| Wire range                   | 25 to 70 mm <sup>2</sup> shielded wires |
| Connection type              | Crimping                                |
| ELECTRICAL                   |   |
| Rated voltage                | 1000V DC                                |
| Dielectric withstand voltage | 3000V AC                                |
| Shielding                    | 360° from wire to device                |
| ENVIRONMENTAL                |   |
| Sealing                      | IP67, IP6K9K (mated)                    |
| Temperature range            | -40°C to 125°C                          |
| MATERIAL                     |   |
| Housing                      | PA66 + GF                               |

### KEY FEATURES

- 1 to 3 positions available
- Light in weight with plastic shell
- Easy to install, reliable connection
- Sealing, IP67 (mated), IP6K9K
- Multiple coding positions
- 360° shielded from wire to device
- Economical

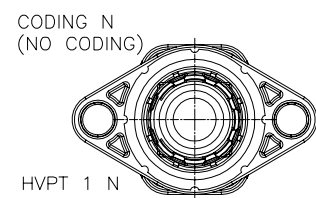
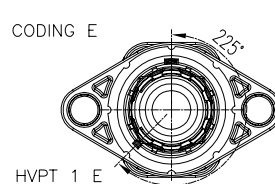
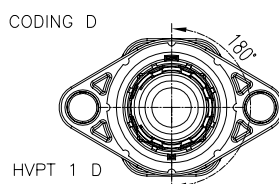
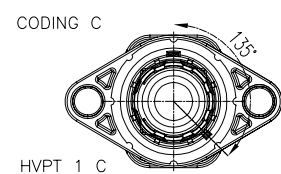
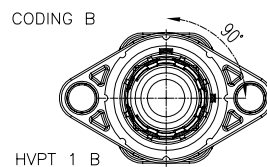
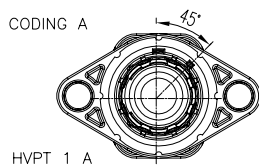
## 1 POSITION PASS-THROUGH



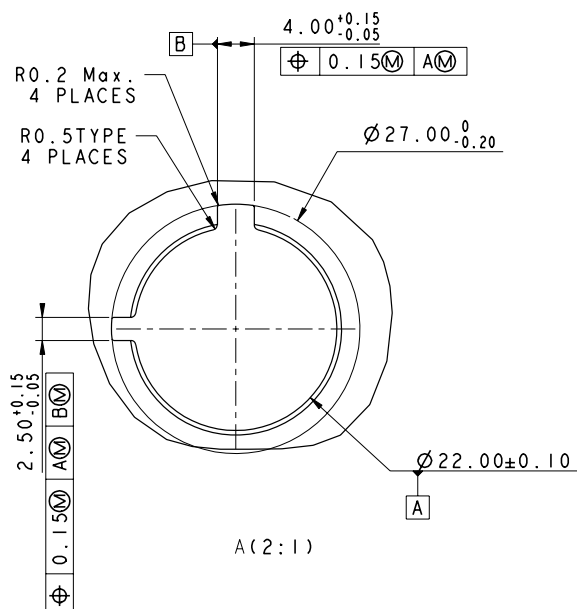
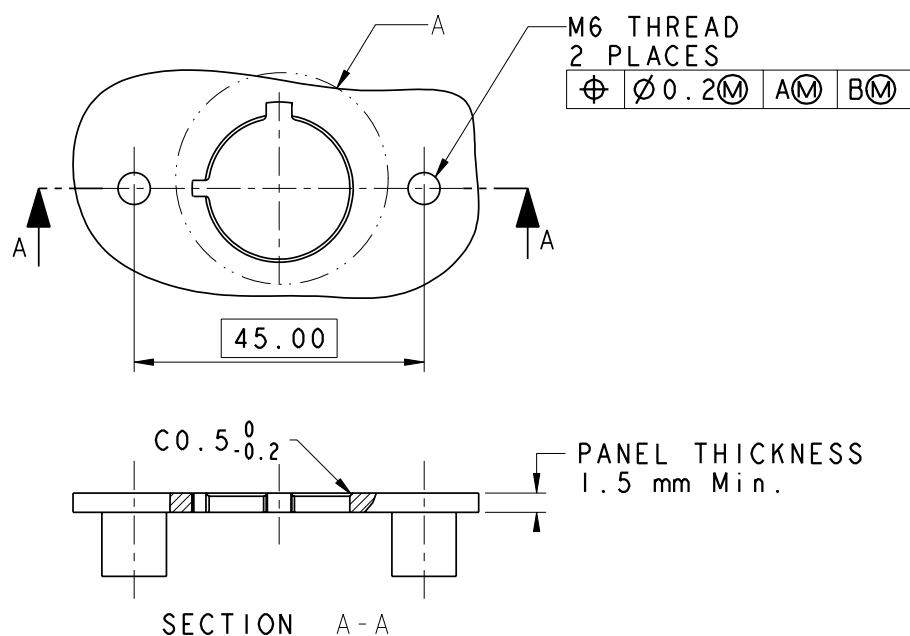
## CONTACTS

| Part number | Conductor cross section (mm <sup>2</sup> ) | Cable OD |
|-------------|--|----------|
| HVPT 1 X 70 | 70   | 19.0±0.3 |
| HVPT 1 X 50 | 50   | 16.5±0.3 |
| HVPT 1 X 35 | 35   | 14.2±0.3 |
| HVPT 1 X 25 | 25   | 11.9±0.3 |

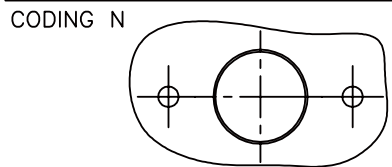
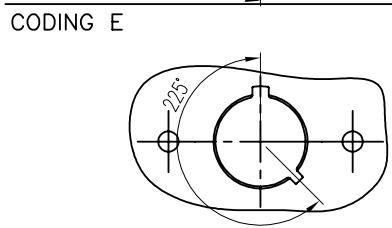
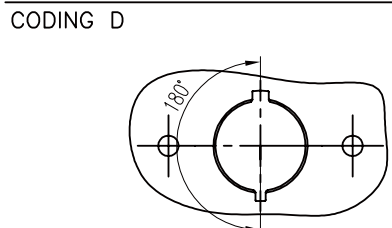
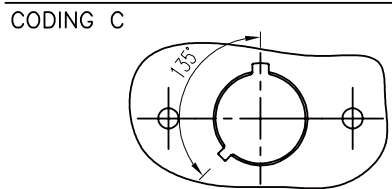
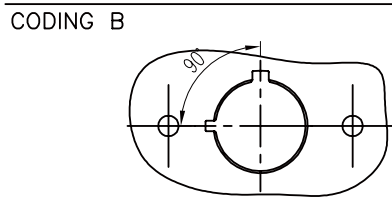
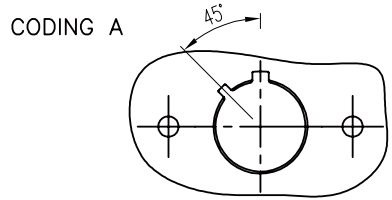
## INSERT ORIENTATIONS



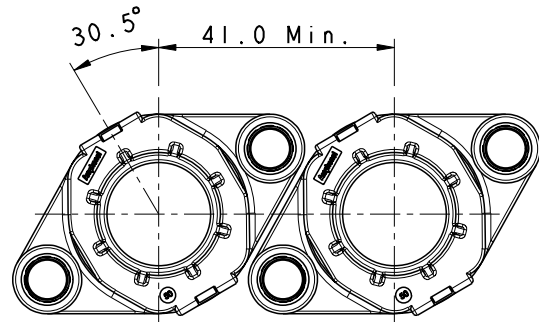
PANEL MOUNTING DIMENSIONS



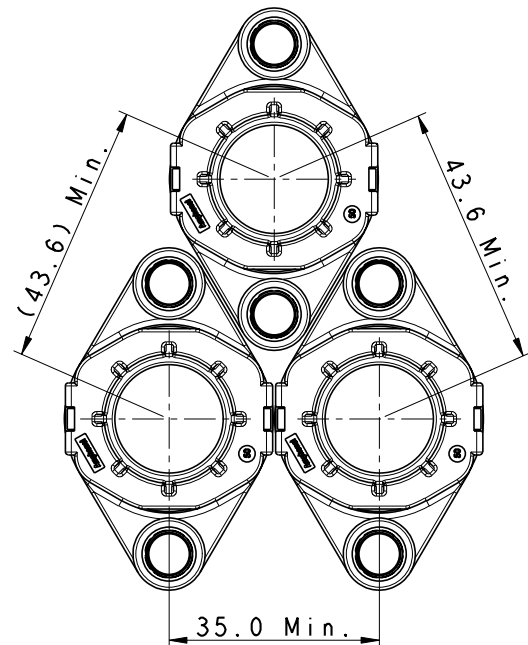
PANEL MOUNTING DIMENSIONS



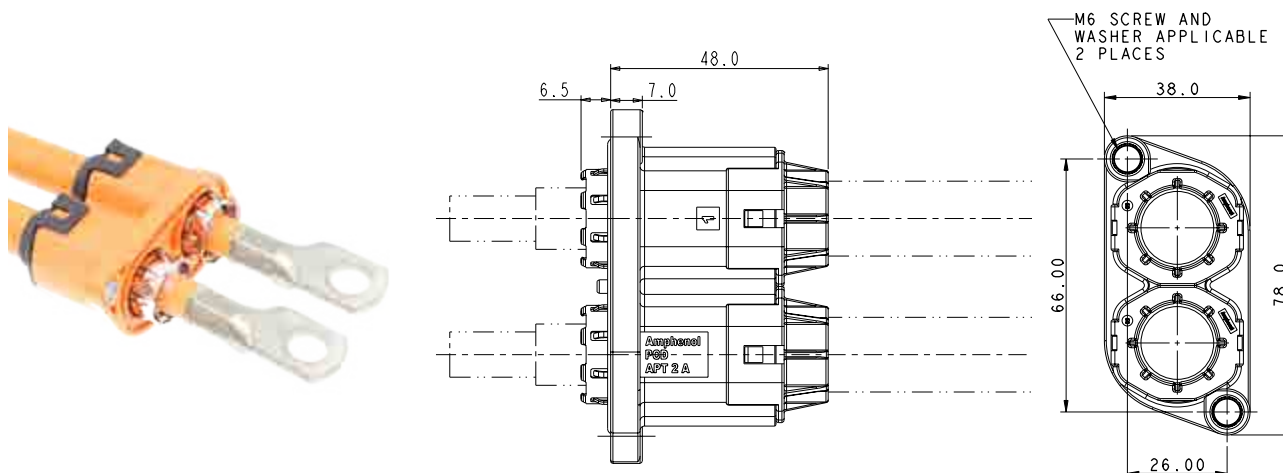
RECOMMENDED LAYOUT FOR 2 UNITS



RECOMMENDED LAYOUT FOR 3 UNITS



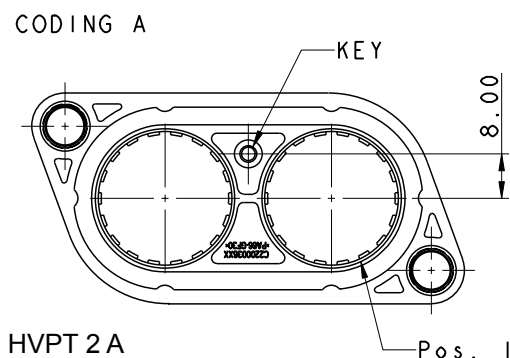
## 2 POSITION PASS-THROUGH



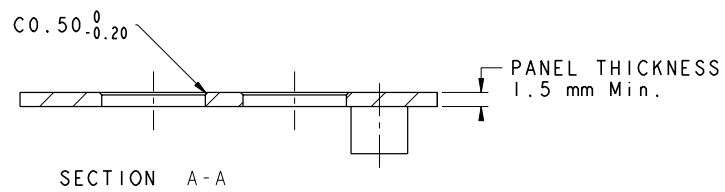
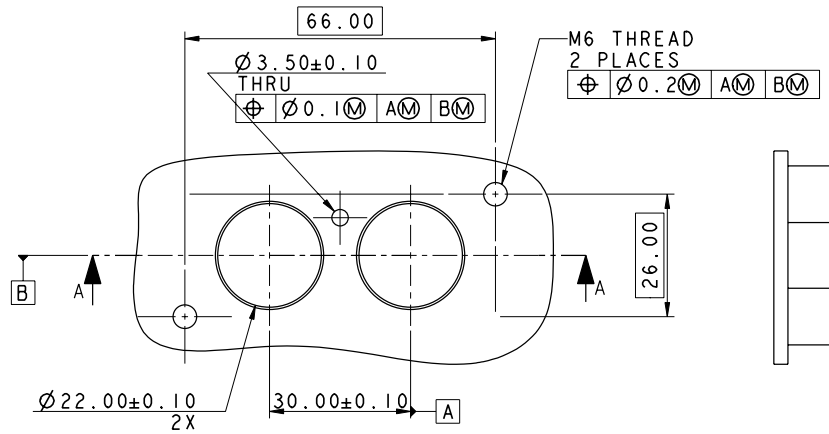
## CONTACTS

| Part number | Conductor cross section (mm <sup>2</sup> ) | Cable OD |
|-------------|--|----------|
| HVPT 2 X 70 | 70   | 19.0±0.3 |
| HVPT 2 X 50 | 50   | 16.5±0.3 |
| HVPT 2 X 35 | 35   | 14.2±0.3 |
| HVPT 2 X 25 | 25   | 11.9±0.3 |

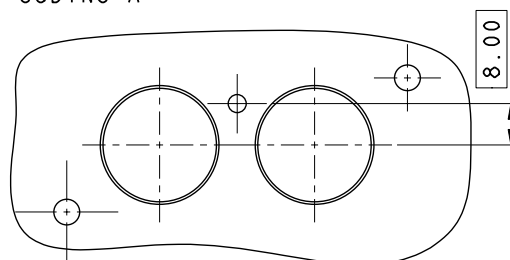
## INSERT ORIENTATIONS



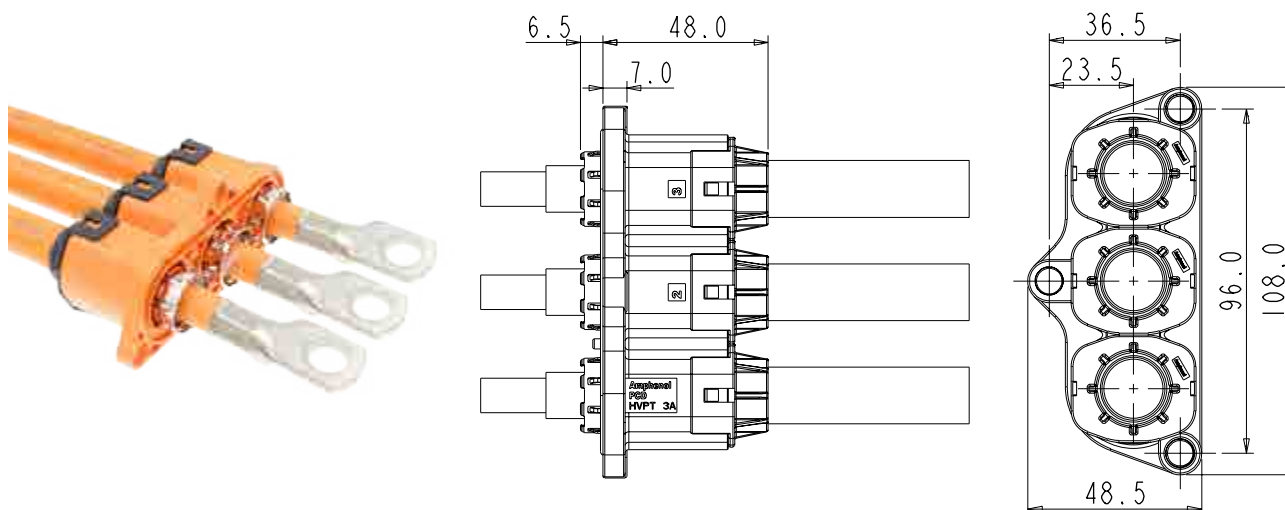
PANEL MOUNTING DIMENSIONS



CODING A



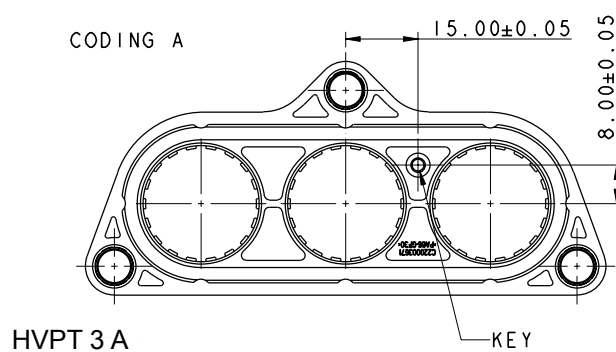
## 3 POSITION PASS-THROUGH



## CONTACTS

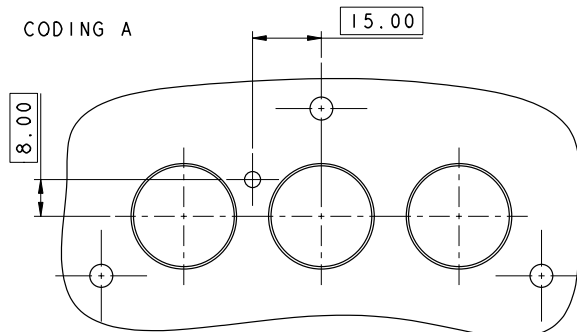
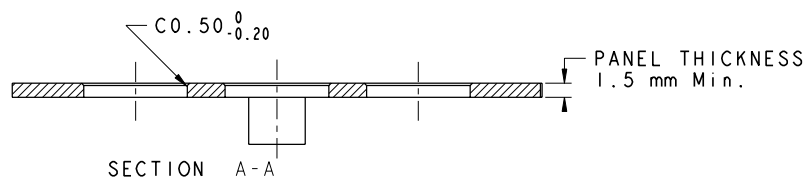
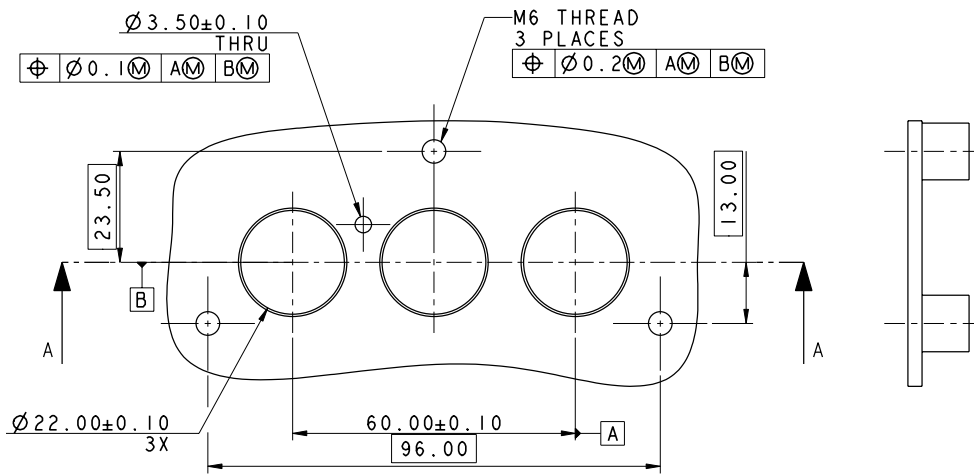
| Part number | Conductor cross section (mm <sup>2</sup> ) | Cable OD |
|-------------|--|----------|
| HVPT 3 X 70 | 70   | 19.0±0.3 |
| HVPT 3 X 50 | 50   | 16.5±0.3 |
| HVPT 3 X 35 | 35   | 14.2±0.3 |
| HVPT 3 X 25 | 25   | 11.9±0.3 |

## INSERT ORIENTATIONS





PANEL MOUNTING DIMENSIONS



## HVPT B PASS-THROUGH

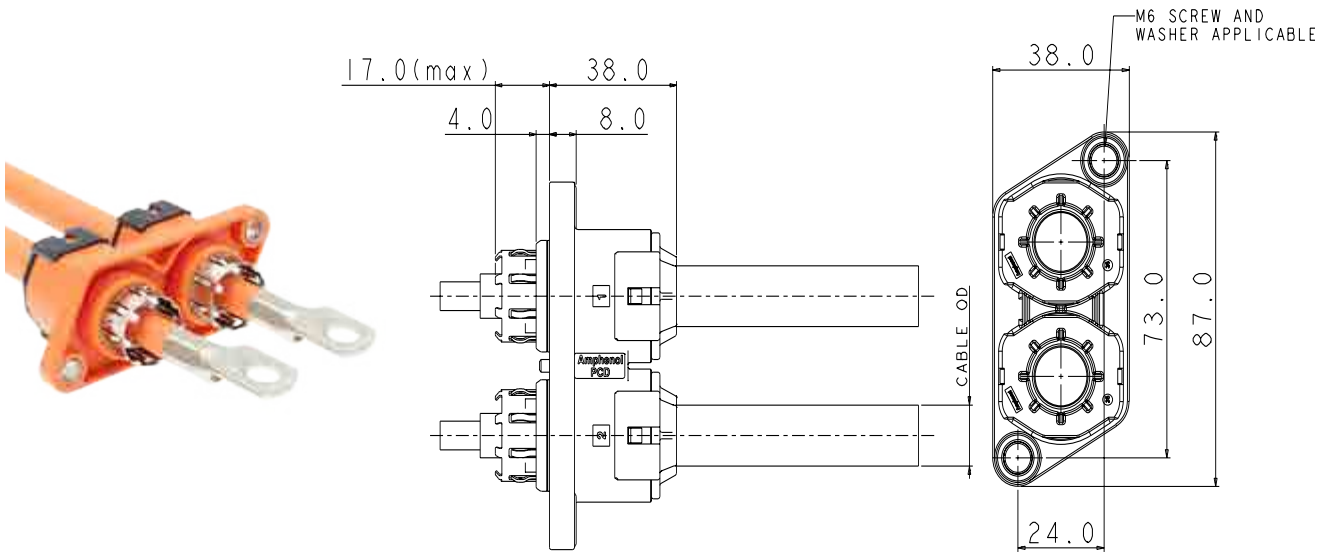


| MECHANICAL                   |   |
|------------------------------|---|
| Wire range                   | 25 to 70 mm <sup>2</sup> shielded wires |
| Connection type              | Crimping                                |
| ELECTRICAL                   |   |
| Rated voltage                | 1000V DC                                |
| Dielectric withstand voltage | 3000V AC                                |
| Shielding                    | 360° from wire to device                |
| ENVIRONMENTAL                |   |
| Sealing                      | IP67, IP6K9K (mated)                    |
| Temperature range            | -40°C to 125°C                          |
| MATERIAL                     |   |
| Housing                      | PA66 + GF                               |

### KEY FEATURES

- 2 & 3 positions available
- Light in weight with plastic shell
- Easy to install, reliable connection
- Sealing, IP67 (mated), IP6K9K
- Multiple coding positions
- 360° shielded from wire to device
- Economical

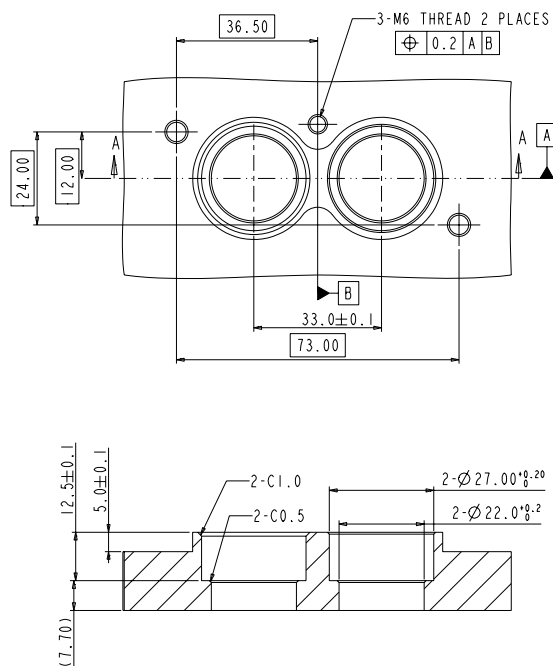
## HVPTB 2 POSITION PASS-THROUGH



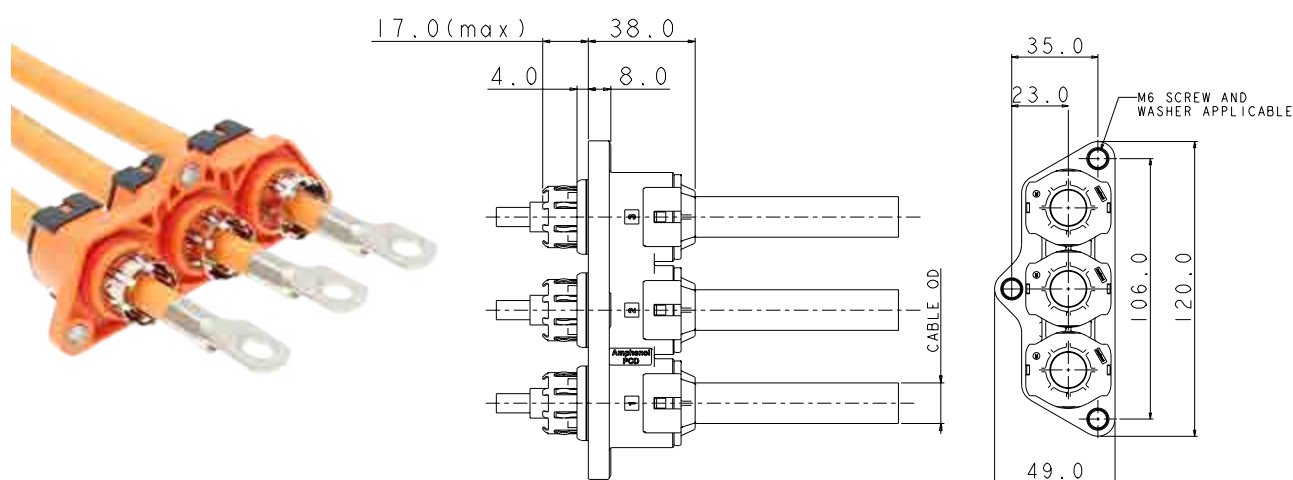
### PART NUMBER

| Part number  | Conductor cross section (mm <sup>2</sup> ) | Cable OD |
|--------------|--|----------|
| HVPTB 2 B 70 | 70   | 19.0±0.3 |
| HVPTB 2 B 50 | 50   | 16.5±0.3 |
| HVPTB 2 B 35 | 35   | 14.2±0.3 |
| HVPTB 2 B 25 | 25   | 11.9±0.3 |

### PANEL MOUNTING DIMENSIONS



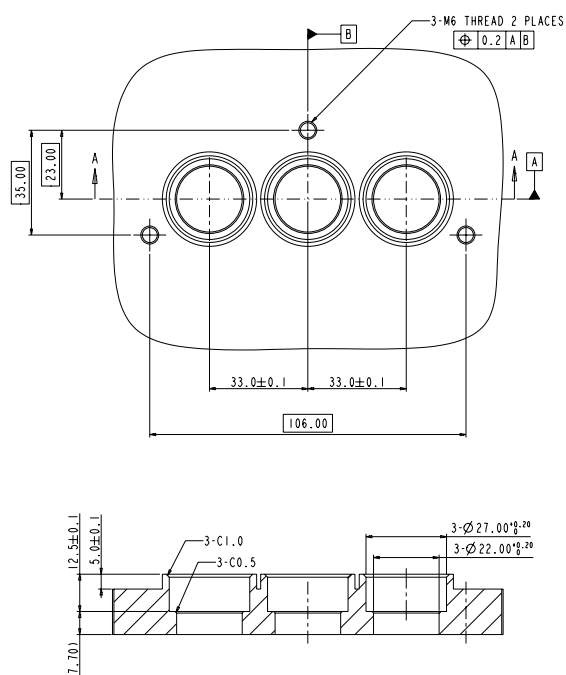
## HVPTB 3 POSITION PASS-THROUGH



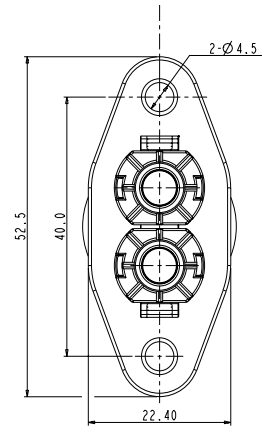
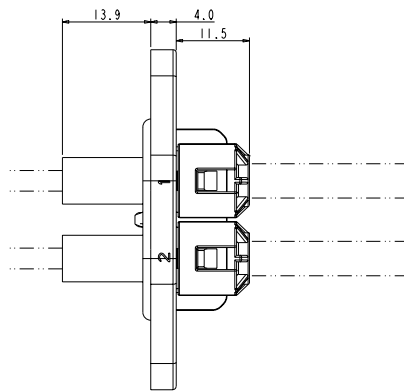
## PART NUMBER

| Part number  | Conductor cross section (mm <sup>2</sup> ) | Cable OD |
|--------------|--|----------|
| HVPTB 3 N 70 | 70   | 19.0±0.3 |
| HVPTB 3 N 50 | 50   | 16.5±0.3 |
| HVPTB 3 N 35 | 35   | 14.2±0.3 |
| HVPTB 3 N 25 | 25   | 11.9±0.3 |

## PANEL MOUNTING DIMENSIONS



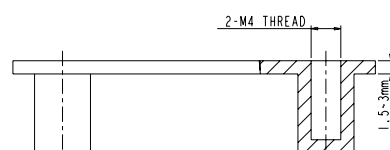
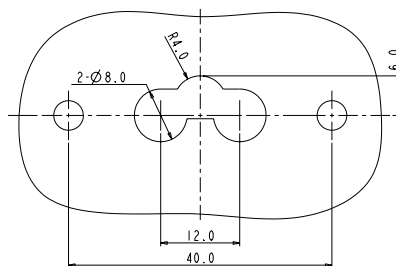
HVPTB 2A POSITION PASS-THROUGH



PART NUMBER

| Part number  | Conductor cross section (mm <sup>2</sup> ) | Cable OD (mm) |
|--------------|--|---------------|
| HVPTB 2 A 03 | 2.5 / 3.0                                  | 5.2 ± 0.2     |

PANEL MOUNTING DIMENSIONS



## HVPC PASS-THROUGH



| MECHANICAL                   |  |
|------------------------------|--|
| Wire range                   | 35 to 50mm <sup>2</sup> shielded wires |
| Connection type              | Crimping                               |
| ELECTRICAL                   |  |
| Rated voltage                | 1000V DC                               |
| Dielectric withstand voltage | 3000V AC                               |
| Shielding                    | 360° from wire to device               |
| ENVIRONMENTAL                |  |
| Sealing                      | IP67, IP6K9K (mated)                   |
| Temperature range            | -40°C to 125°C                         |
| Salt spray                   | 96 hours                               |
| MATERIAL                     |  |
| Housing                      | Metal                                  |

### KEY FEATURES

Easy to install, reliable connection

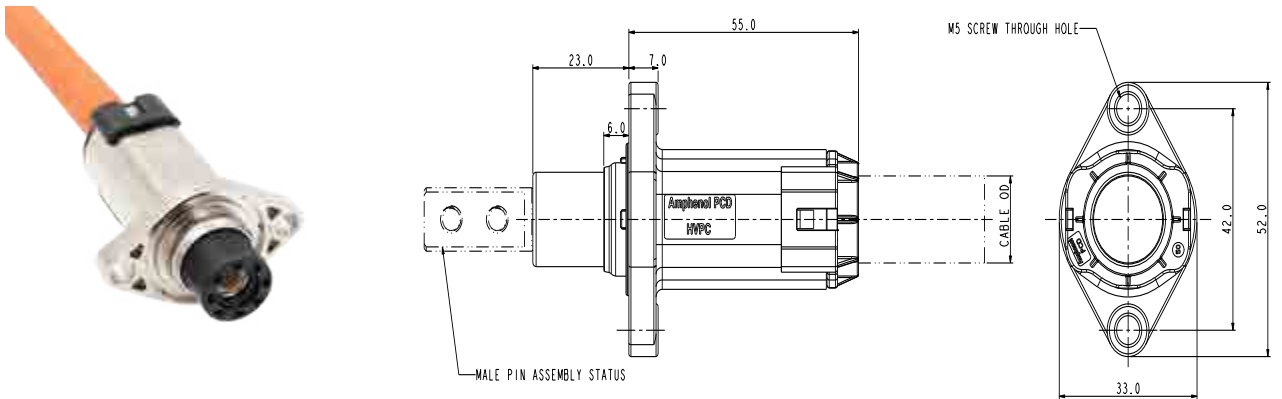
Sealing, IP67 (mated), IP6K9K

Multiple coding positions

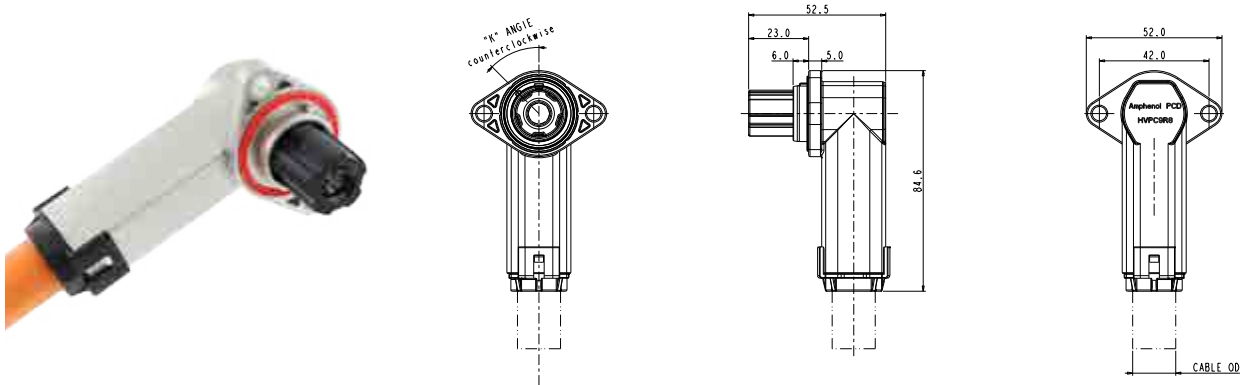
360° shielded from wire to device

Economical

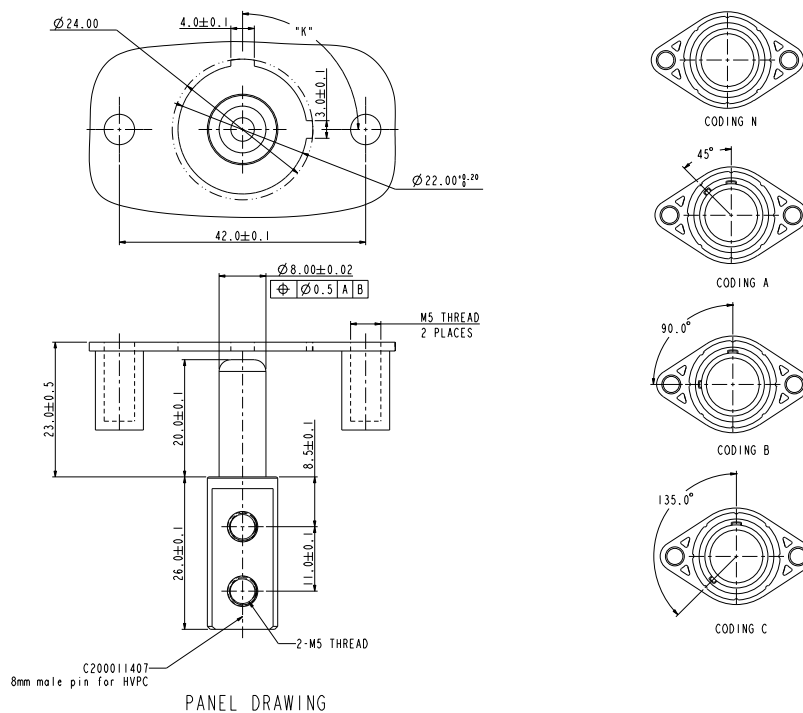
## HVPC 1 POSITION PASS-THROUGH



## HVPC 1 POSITION RIGHT-ANGLE



## PANEL MOUNTING DIMENSIONS



## HOW TO ORDER

|  |      |   |    |   |   |    |
|--|------|---|----|---|---|----|
|  | HVPC | 7 | R8 | 1 | A | 35 |
| <b>Product type:</b>                       |      |   |    |   |   |    |
| <b>7:</b> Straight                         |      |   |    |   |   |    |
| <b>9:</b> Right angle                      |      |   |    |   |   |    |
| <b>Insert size:</b>                        |      |   |    |   |   |    |
| <b>R8:</b> 8mm pin contact                 |      |   |    |   |   |    |
| <b>Position:</b>                           |      |   |    |   |   |    |
| <b>1:</b> 1 position                       |      |   |    |   |   |    |
| <b>Coding:</b>                             |      |   |    |   |   |    |
| <b>A:</b> Coding A                         |      |   |    |   |   |    |
| <b>B:</b> Coding B                         |      |   |    |   |   |    |
| <b>C:</b> Coding C                         |      |   |    |   |   |    |
| <b>D:</b> Coding D (Right-Angle only)      |      |   |    |   |   |    |
| <b>E:</b> Coding E (Right-Angle only)      |      |   |    |   |   |    |
| <b>N:</b> Coding N (Straight only)         |      |   |    |   |   |    |
| <b>Wire type:</b>                          |      |   |    |   |   |    |
| <b>35:</b> 35mm <sup>2</sup> shielded wire |      |   |    |   |   |    |
| <b>50:</b> 50mm <sup>2</sup> shielded wire |      |   |    |   |   |    |



# Excel|Mate PT (HVPC 800)

## HVPC 800



| MECHANICAL                   |  |
|------------------------------|--|
| Wire range                   | 35 to 50mm <sup>2</sup> shielded wires |
| Connection type              | Crimping                               |
| ELECTRICAL                   |  |
| Rated voltage                | 1000V DC                               |
| Dielectric withstand voltage | 3000V AC                               |
| Shielding                    | 360° from wire to device               |
| ENVIRONMENTAL                |  |
| Sealing                      | IP67, IP6K9K (mated)                   |
| Temperature range            | -40°C to 125°C                         |
| Salt spray                   | 96 hours                               |
| MATERIAL                     |  |
| Housing                      | Metal                                  |

### KEY FEATURES

Easy to install, reliable connection

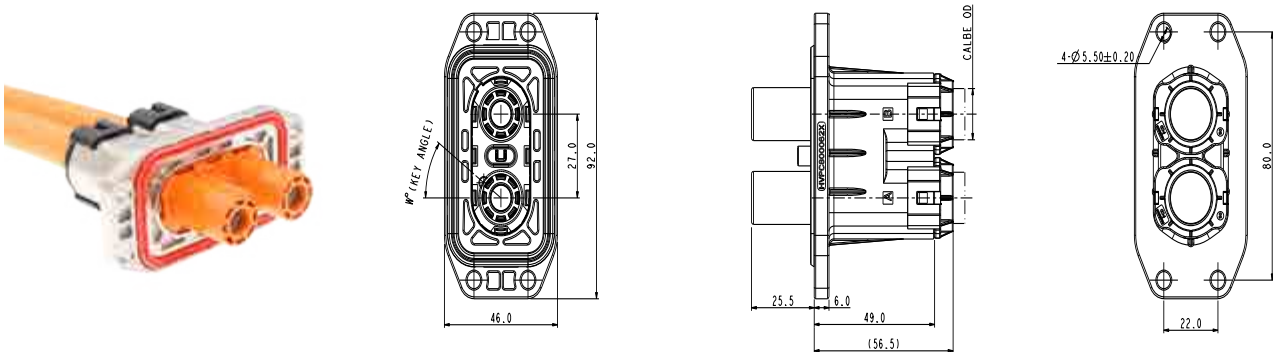
Sealing, IP67 (mated), IP6K9K

Multiple coding positions

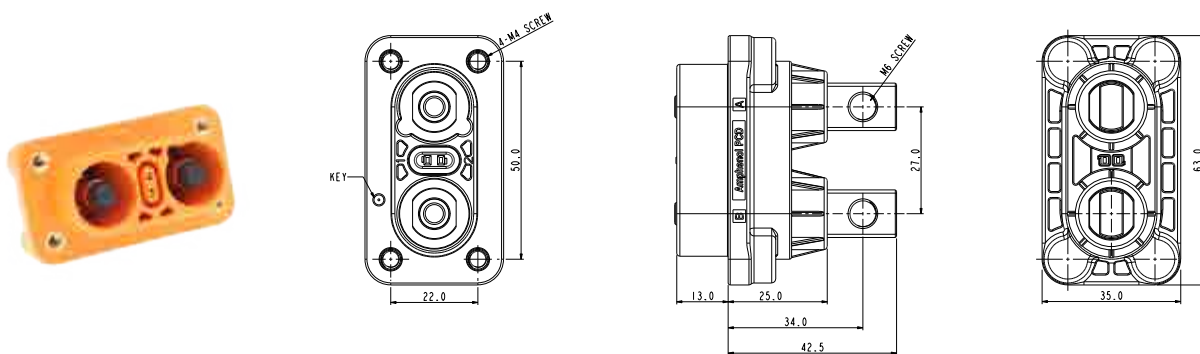
360° shielded from wire to device

Economical

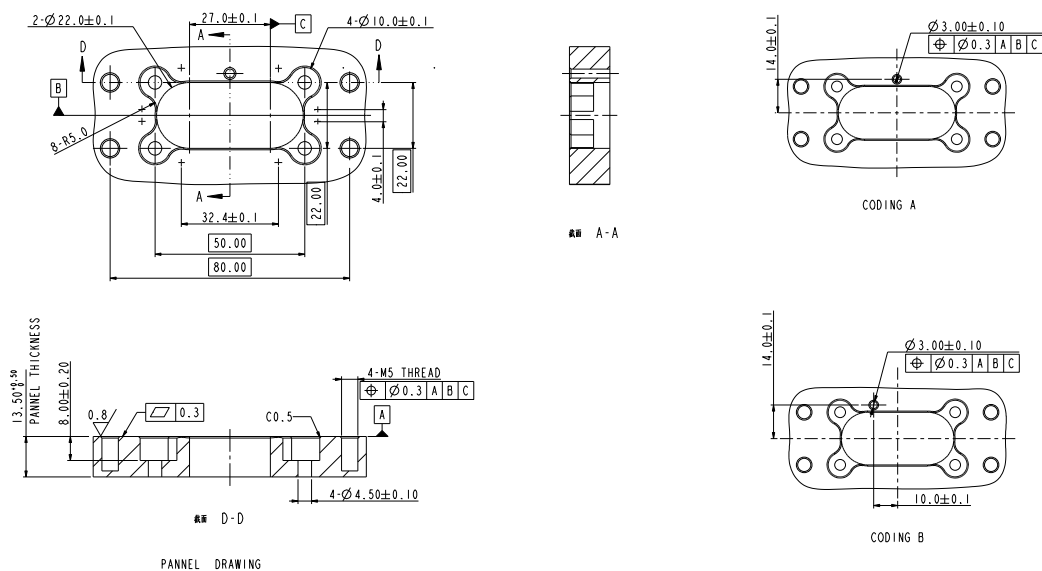
## HVPC 800 PLUG



## HVPC 800 RECEPTACLE



## PANEL MOUNTING DIMENSIONS



# HOW TO ORDER (HVPC 800)

## HOW TO ORDER

|  |          |    |   |   |   |    |
|--|----------|----|---|---|---|----|
|  | HVPC 800 | 02 | 2 | A | 1 | 35 |
| <b>Product type:</b>                       |          |    |   |   |   |    |
| <b>02:</b> Receptacle                      |          |    |   |   |   |    |
| <b>06:</b> Plug                            |          |    |   |   |   |    |
| <b>Position:</b>                           |          |    |   |   |   |    |
| <b>2:</b> 2 positions                      |          |    |   |   |   |    |
| <b>Coding:</b>                             |          |    |   |   |   |    |
| <b>A:</b> Coding A                         |          |    |   |   |   |    |
| <b>B:</b> Coding B                         |          |    |   |   |   |    |
| <b>HVIL:</b>                               |          |    |   |   |   |    |
| <b>0:</b> Without HVIL                     |          |    |   |   |   |    |
| <b>1:</b> With HVIL                        |          |    |   |   |   |    |
| <b>Wire type:</b>                          |          |    |   |   |   |    |
| <b>35:</b> 35mm <sup>2</sup> shielded wire |          |    |   |   |   |    |
| <b>50:</b> 50mm <sup>2</sup> shielded wire |          |    |   |   |   |    |

Amphenol PCD Shenzhen

Building 21  
1st Liao Keng Industrial Zone  
Shi Yan Street, Bao An District Shenzhen 518108  
China

Tel.: +86 755-8173-8000  
Fax: +86 755-8173-8180  
Email: [inquiry@amphenolpcd.com.cn](mailto:inquiry@amphenolpcd.com.cn)

[www.amphenolpcd.com.cn](http://www.amphenolpcd.com.cn)

Notes:

Amphenol PCD Shenzhen has made every effort to ensure that the information contained in this catalog is accurate at the time of publication. Specifications or information stated in this publication are subject to change without notice.

Amphenol PCD Shenzhen reserves the right to clarify this catalog.

Компания «Океан Электроники» предлагает заключение долгосрочных отношений при поставках импортных электронных компонентов на взаимовыгодных условиях!

Наши преимущества:

- Поставка оригинальных импортных электронных компонентов напрямую с производств Америки, Европы и Азии, а так же с крупнейших складов мира;
- Широкая линейка поставок активных и пассивных импортных электронных компонентов (более 30 млн. наименований);
- Поставка сложных, дефицитных, либо снятых с производства позиций;
- Оперативные сроки поставки под заказ (от 5 рабочих дней);
- Экспресс доставка в любую точку России;
- Помощь Конструкторского Отдела и консультации квалифицированных инженеров;
- Техническая поддержка проекта, помощь в подборе аналогов, поставка прототипов;
- Поставка электронных компонентов под контролем ВП;
- Система менеджмента качества сертифицирована по Международному стандарту ISO 9001;
- При необходимости вся продукция военного и аэрокосмического назначения проходит испытания и сертификацию в лаборатории (по согласованию с заказчиком);
- Поставка специализированных компонентов военного и аэрокосмического уровня качества (Xilinx, Altera, Analog Devices, Intersil, Interpoint, Microsemi, Actel, Aeroflex, Peregrine, VPT, Syfer, Eurofarad, Texas Instruments, MS Kennedy, Miteq, Cobham, E2V, MA-COM, Hittite, Mini-Circuits, General Dynamics и др.);

Компания «Океан Электроники» является официальным дистрибьютором и эксклюзивным представителем в России одного из крупнейших производителей разъемов военного и аэрокосмического назначения «JONHON», а так же официальным дистрибьютором и эксклюзивным представителем в России производителя высокотехнологичных и надежных решений для передачи СВЧ сигналов «FORSTAR».



## JONHON

«JONHON» (основан в 1970 г.)

Разъемы специального, военного и аэрокосмического назначения:

(Применяются в военной, авиационной, аэрокосмической, морской, железнодорожной, горно- и нефтедобывающей отраслях промышленности)

«FORSTAR» (основан в 1998 г.)

ВЧ соединители, коаксиальные кабели, кабельные сборки и микроволновые компоненты:

(Применяются в телекоммуникациях гражданского и специального назначения, в средствах связи, РЛС, а так же военной, авиационной и аэрокосмической отраслях промышленности).



Телефон: 8 (812) 309-75-97 (многоканальный)

Факс: 8 (812) 320-03-32

Электронная почта: [ocean@oceanchips.ru](mailto:ocean@oceanchips.ru)

Web: <http://oceanchips.ru/>

Адрес: 198099, г. Санкт-Петербург, ул. Калинина, д. 2, корп. 4, лит. А