



AMPHENOL PCD SHENZHEN



EXCEL | MATE

High Voltage Safety Lock

www.amphenolpcd.com.cn

INDUSTRIAL@AMPHENOL
TRUSTED GLOBALLY

EXCEL MATE PRODUCT INTRODUCTION	2	Excel Mate Eco (HVSL600/630/633/280/282/364)	
Excel Mate Plus (HVSL1200)	3	HVSL600	51
2 PIN RECEPTACLE BOX MOUNTED	4	RECEPTACLE	52
2 PIN PLUG	6	PLUG	54
2 PIN PLUG RIGHT ANGLE	7	HOW TO ORDER: HVSL600	55
HOW TO ORDER: HVSL1200	8	CHARTS: HVSL600	56
CHARTS: HVSL1200	9	HVSL630	57
Excel Mate Plus (HVSL1000)	10	RECEPTACLE	58
1 PIN RECEPTACLE	11	PLUG	60
1 PIN PLUG	13	HOW TO ORDER: HVSL630	61
1 PIN RECEPTACLE WITHOUT INTERLOCK	14	CHARTS: HVSL630	62
1 PIN PLUG RIGHT ANGLE	15	HVSL633	63
2 PIN RECEPTACLE BOX MOUNTED	16	RECEPTACLES	64
2 PIN PLUG	18	PLUG	68
2 PIN PLUG RIGHT ANGLE	19	HOW TO ORDER: HVSL633	69
3 PIN RECEPTACLE BOX MOUNTED	20	CHARTS: HVSL633	70
3 PIN PLUG	21	HVSL280	71
3 PIN PLUG RIGHT ANGLE	22	RECEPTACLE	72
ATTACHMENT	23	PLUG	74
PRODUCT SERIES OVERVIEW	25	HOW TO ORDER: HVSL280	75
HOW TO ORDER: HVSL1000	26	CHARTS: HVSL280	76
CHARTS: HVSL1000	27	HVSL282	77
Excel Mate S (HVSL800)	28	RECEPTACLES	78
2 PIN RECEPTACLE	29	PLUG	83
2 PIN STRAIGHT PLUG	30	HOW TO ORDER: HVSL282	84
2 PIN RIGHT ANGLE PLUG	31	CHARTS: HVSL282	85
3 PIN RECEPTACLE	32	HVSL362	86
3 PIN STRAIGHT PLUG	33	RECEPTACLE	87
3 PIN RIGHT ANGLE PLUG	34	PLUG	89
HOW TO ORDER: HVSL800	35	HOW TO ORDER: HVSL362	90
CHARTS: HVSL800	36	CHARTS: HVSL362	91
Excel Mate Metal (HVSL600)	37	HVSL364	92
2 PIN RECEPTACLE	38	RECEPTACLE	93
2 PIN STRAIGHT PLUG	39	PLUG	95
2 PIN RIGHT ANGLE PLUG	40	HOW TO ORDER: HVSL364	96
3 PIN RECEPTACLE	41	Excel Mate PT	97
3 PIN STRAIGHT PLUG	42	1 POSITION	98
3 PIN RIGHT ANGLE PLUG	43	2 POSITION	101
HOW TO ORDER: HVSL600	44	3 POSITION	103
CHARTS: HVSL600	45	HVPT B	105
Excel Mate Metal (HVSL800)	46	2 POSITION	106
RECEPTACLE	47	3 POSITION	107
STRAIGHT PLUG	48	HVPT B 2A	108
RIGHT ANGLE PLUG	49	HVPC	109
HOW TO ORDER: HVSL800	50	HVPC 800	112

PRODUCT INTRODUCTION



When high-performance and increased safety are required in xEV, Amphenol PCD's **Excel|Mate** connectors fulfil the challenge.

HVSL Series is designed to meet AK standards for various xEV applications, including power and signal interconnect solutions. Different versions are available, from 1 position to 4 positions and a rated current from 23A to 350A.

Product	HVSL1200	HVSL1000	HVSL800	HVSL800	HVSL600	HVSL600	HVSL630	HVSL633	HVSL280	HVSL282	HVSL362	HVSL364
Position	2	1, 2, 3	2, 3	2	2, 3	1	2	3	3	2	2	4
Rated Voltage	1000V	1000V	1000V	1000V	1000V	800V	800V	800V	800V	800V	800V	800V
Rated Current	350A	250A	180A	180A	120A	120A	40A	40A	23A	32A	60A	46A
HVIL	√	√	√	√	√	√	√	√	√	√	√	√
Shielding	√	√	√	√	√	√	√	√	√	√	√	√
Shell	Plastic	Plastic	Plastic	Metal	Metal	Plastic	Plastic	Plastic	Plastic	Plastic	Plastic	Plastic
IP67,IP6K9K	√	√	√	√	√	√	√	√	√	√	√	√
Touch-Proof IP2XB	√	√	√	√	√	√	√	√	√	√	√	√
Cable size mm ²	70 to 95	25 to 70	25 to 50	25 to 50	16 to 25	25	4 to 6	2.5 to 6	2.5 to 4	2.5 to 4	6 to 10	2.5 to 6
Cable type shielded wire	Individually	Individually	Individually	Individually	Individually	Individually	Multicore	Individually	Multicore	Individually	Individually	Individually

Excel|Mate (HVSL1200)



High Voltage Safety Lock

HVSL1200, which is the latest generation of the Excel|Mate series, has been specially designed for use in xEV applications.

The RADSOK® Technology R4 version 12mm and an interlock solution ensure a safe and reliable connection.

KEY FEATURES

With interlock solution

RADSOK® Technology R4 version 12mm

Shielding performance: EMI/RFI 60DB

Sealing, IP67 (mated), IP6K9K

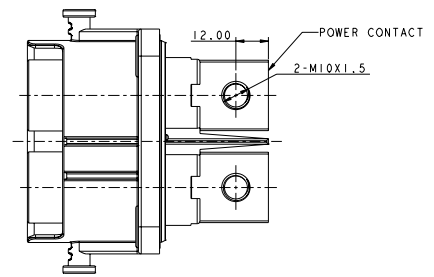
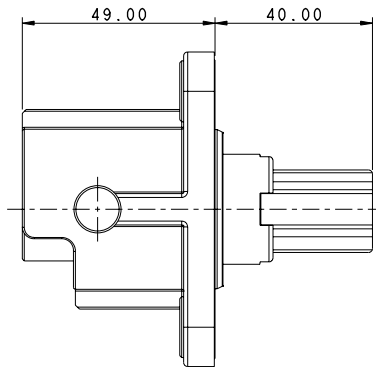
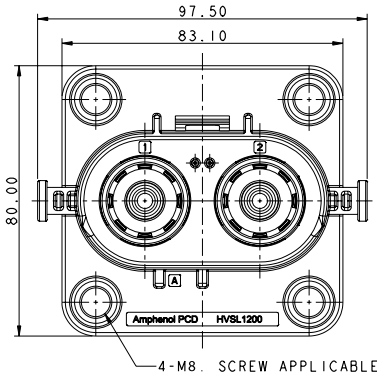
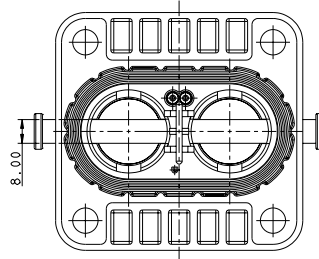
Touch-proof, IP2XB

Multiple coding positions

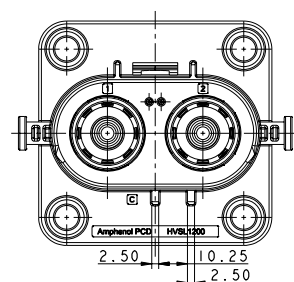
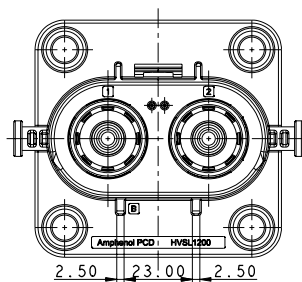
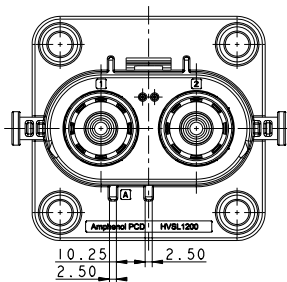
APPLICATIONS	
xEV Battery	
Inverters	
Junction boxes	
Power distribution boxes	
MECHANICAL	
Durability	≥ 50 mating cycles
Wire range	70mm ² to 95mm ²
ELECTRICAL	
Rated voltage	1000V DC
Rated current	350A Max @ ambient temperature 70°C
Insulator resistance	> 200MΩ
Dielectric withstand voltage	3000V AC
ENVIRONMENTAL	
Sealing	IP67, IP6K9K (mated)
Touch-proof	IP2XB
Temperature range	-40°C to 125°C
Inflammability	UL94V0
STANDARDS	
USCAR-2	
USCAR37	
LV-215	
RoHS	

Excel|Mate Max (HVSL 1200)

2 PIN RECEPTACLE BOX MOUNTED

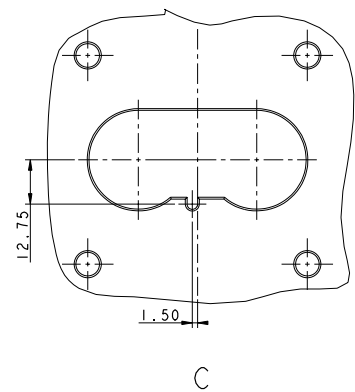
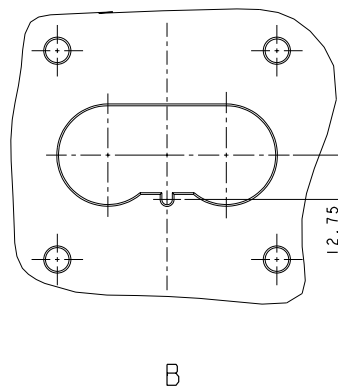
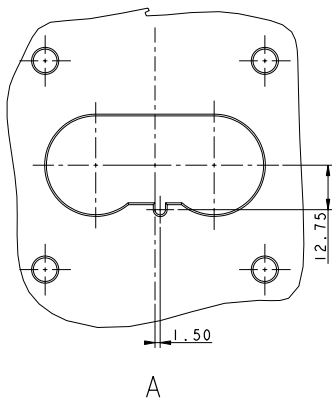
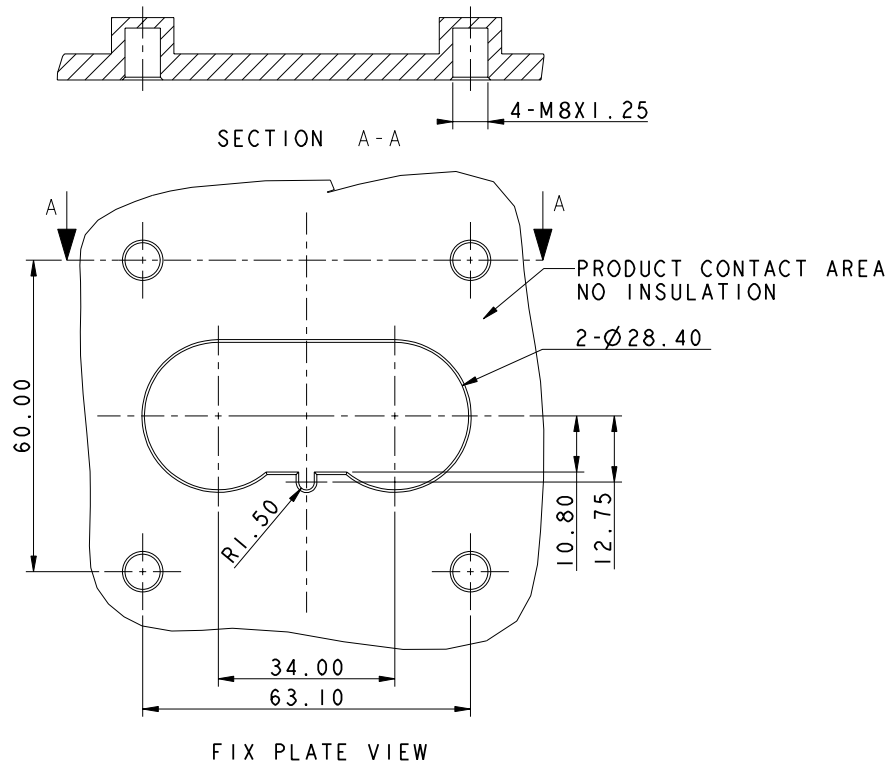


INSERT ORIENTATIONS



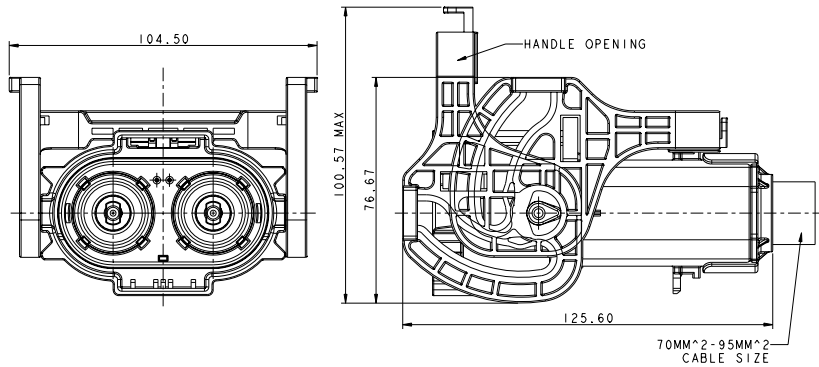
	A	B	C
P/N	HVSL1200 02 2 A	HVSL1200 02 2 B	HVSL1200 02 2 C

PANEL MOUNTING DIMENSIONS

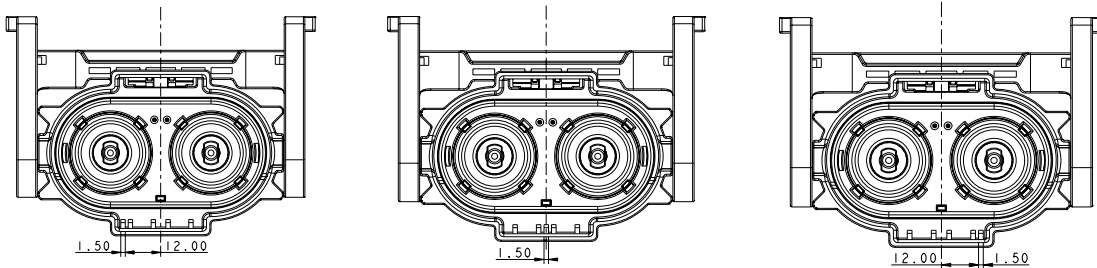


ExcelMate Max (HVSL 1200)

2 PIN PLUG

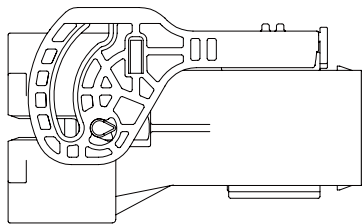


INSERT ORIENTATIONS

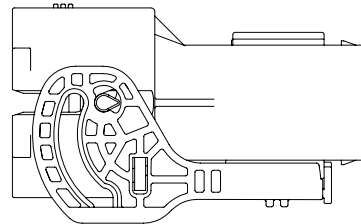


	A	B	C
P/N	HVSL1200 06 2 A	HVSL1200 06 2 B	HVSL1200 06 2 C

LEVER POSITION

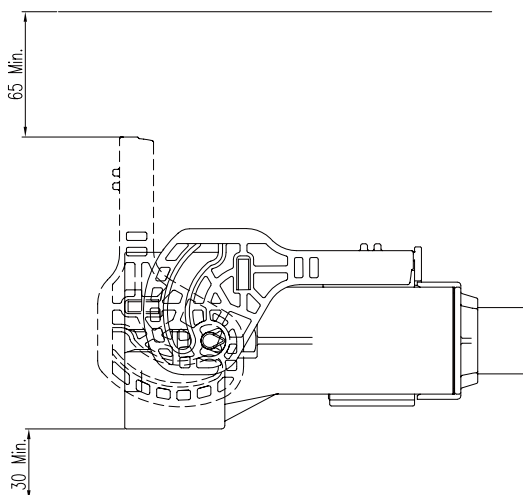


STANDARD LEVER

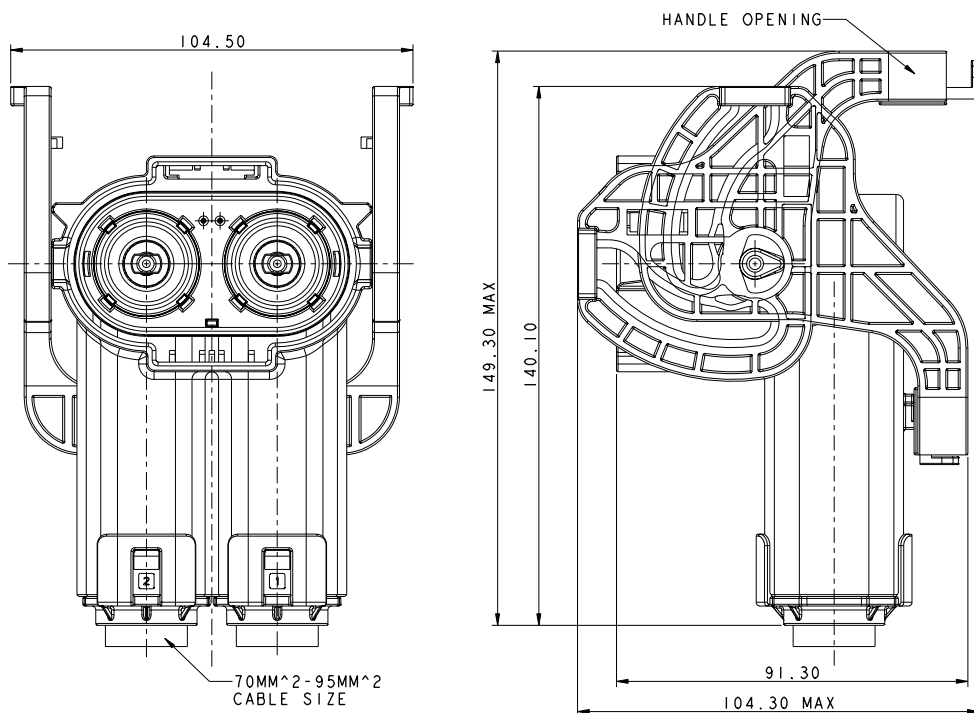


REVERSE LEVER

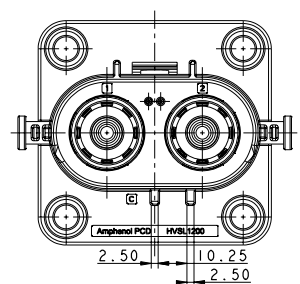
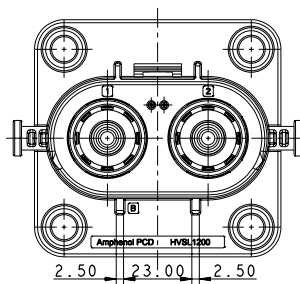
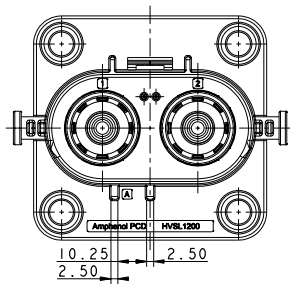
INSTALLATION CLEARANCE



2 PIN PLUG RIGHT ANGLE



INSERT ORIENTATIONS



	A	B	C
P/N	HVSL1200 08 2 A	HVSL1200 08 2 B	HVSL1200 08 2 C

HOW TO ORDER (HVSL 1200)

HOW TO ORDER: PLUG

	HVSL1200	06	2	A	0	70
Product type:						
06: Straight plug						
08: Right angle plug						
Position:						
2: 2 position						
Coding / Alternate position:						
A: Coding A						
B: Coding B						
C: Coding C						
Interlock:						
0: Without interlock						
1: With interlock						
Cable size:						
70: 70mm ² cable						
95: 95mm ² cable						

HOW TO ORDER: RECEPTACLE

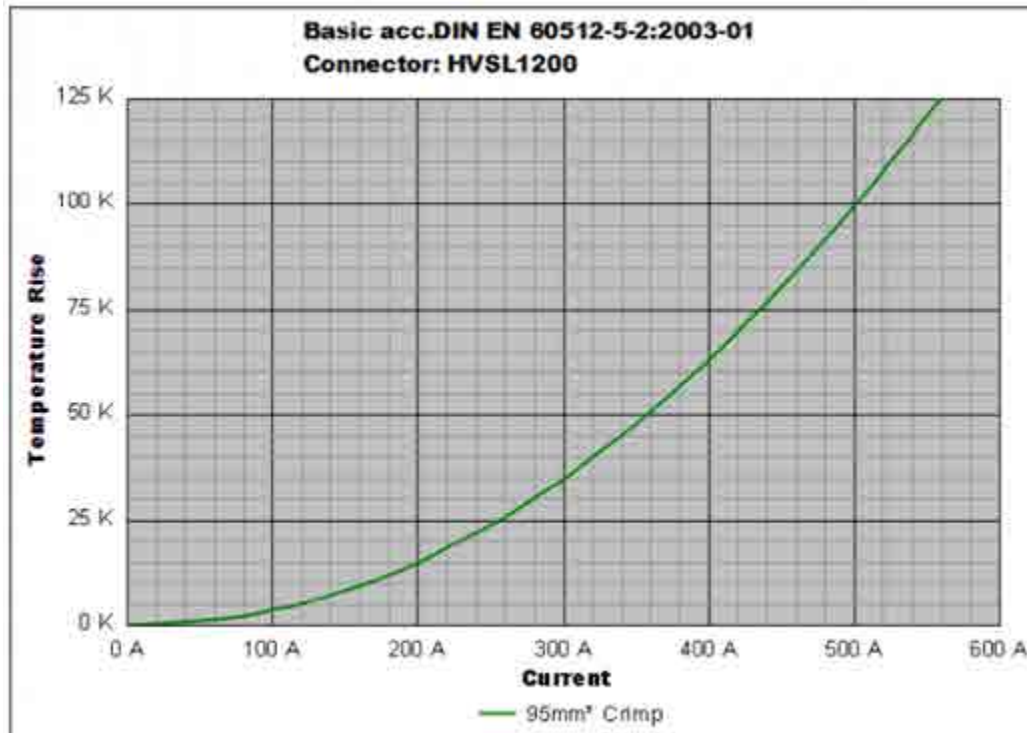
	HVSL1200	02	2	A	0	H10
Product type:						
02: Box mounted receptacle						
Position:						
2: 2 position						
Coding / Alternate position:						
A: Coding A						
B: Coding B						
C: Coding C						
Interlock:						
0: Without interlock						
1: With interlock						
Cable size:						
H10: OT terminal						

EXTRACTION TOOL FOR RECEPTACLE

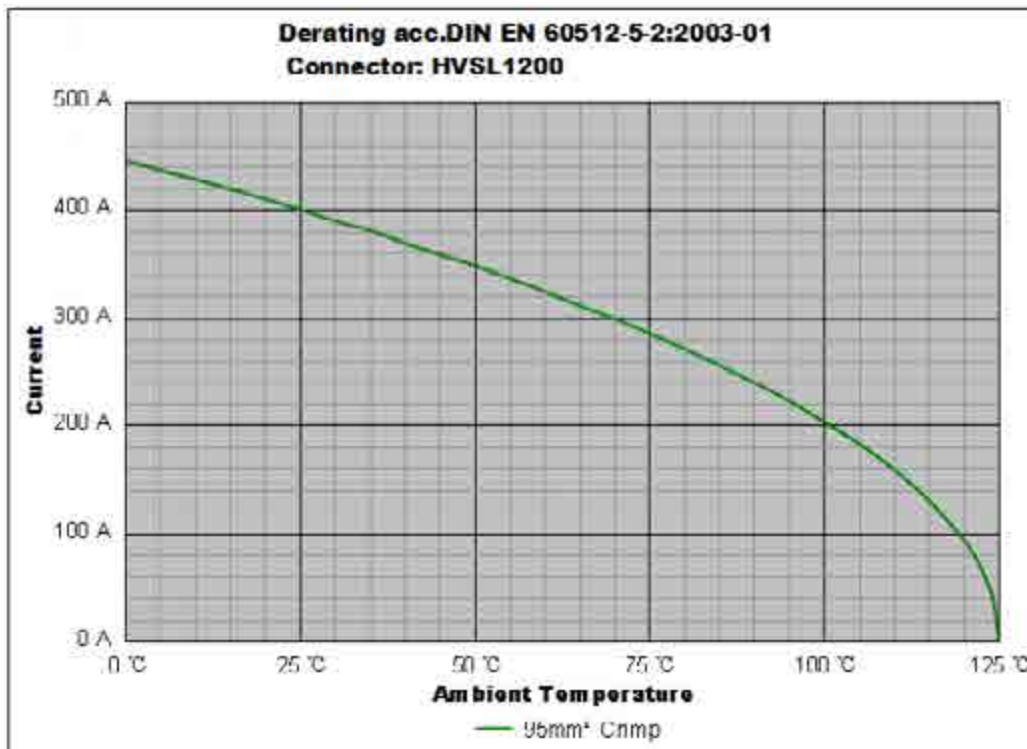
HVIL-contact Extraction tool: HVTOOL10R



HVSL 1200 | Temperature Rise



HVSL 1200 | Derating Curve



Remark: tests carried out on the complete connector.

Excel|Mate Plus (HVSL 1000)

Excel|Mate Plus



High Voltage Safety Lock

Excel|Mate Plus offers a max rated voltage up to 1000V and a max rated current of 250A. It can be used for power solutions in various xEV applications.

External HVIL for 1 position and internal HVIL for 2 to 3 positions.

KEY FEATURES

With interlock solution

RADSOK® Technology R4 version
10mm

Shielding performance: EMI/RFI 60DB

AK compliance LV215

Sealing, IP67 (mated), IP6K9K

1 to 3 positions available

Touch-proof, IP2XB

Multiple coding positions

APPLICATIONS

xEV Battery

Inverters

Junction boxes

Power distribution boxes

MECHANICAL

Durability ≥ 50 mating cycles

Wire range 25 to 70 mm²

ELECTRICAL

Rated voltage 1000V DC

Rated current 250A Max @ ambient
temperature 70°C

Insulator resistance $> 200M\Omega$

Dielectric withstand
voltage 3000V AC

ENVIRONMENTAL

Sealing IP67, IP6K9K (mated)

Touch-proof IP2XB

Temperature range -40°C to 125°C

Inflammability UL94V0

STANDARDS

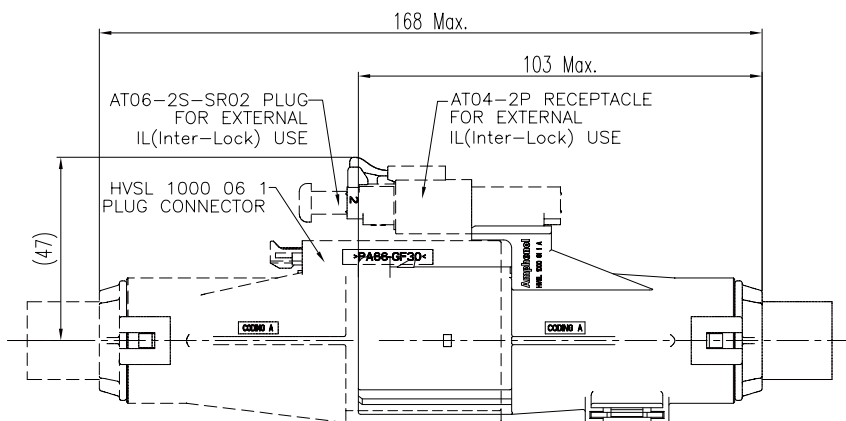
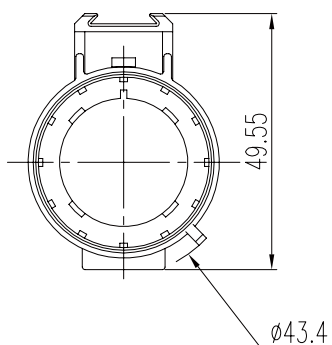
USCAR-2

USCAR-37

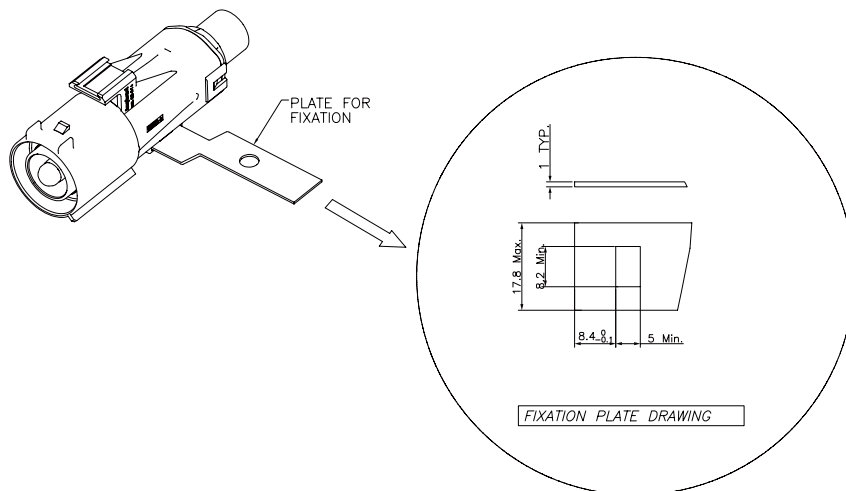
LV-215

RoHS

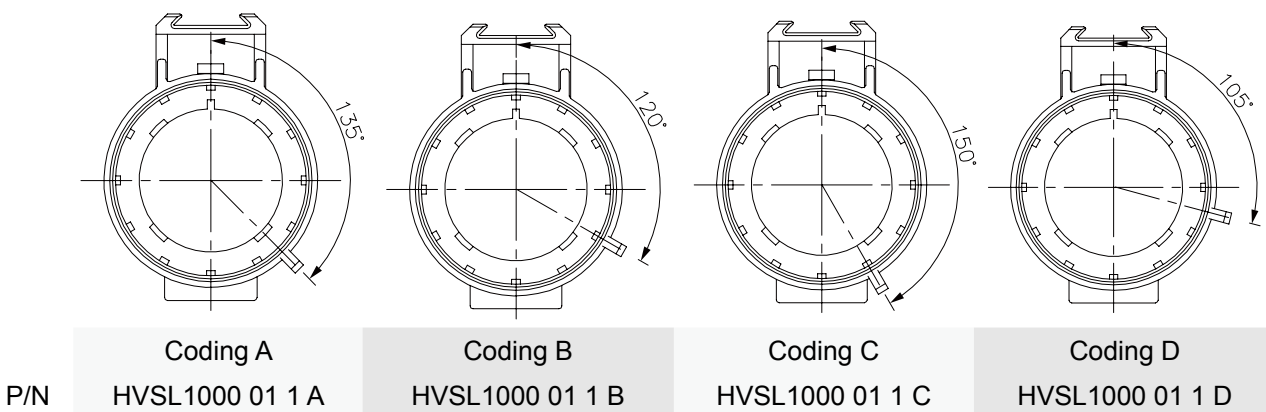
RECEPTACLE IN-LINE



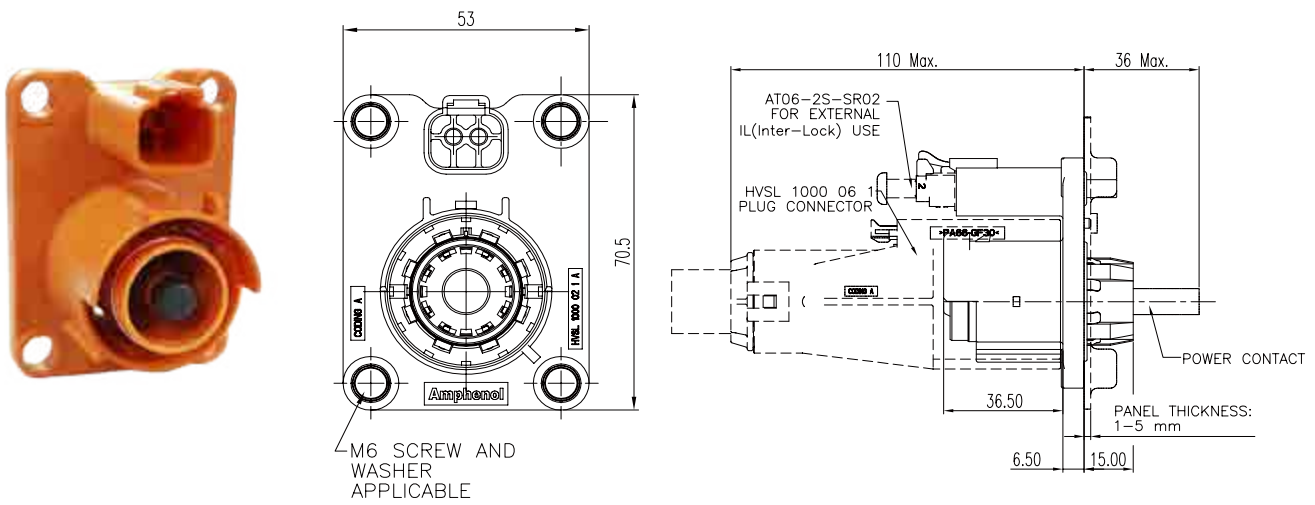
MOUNTED GROOVE



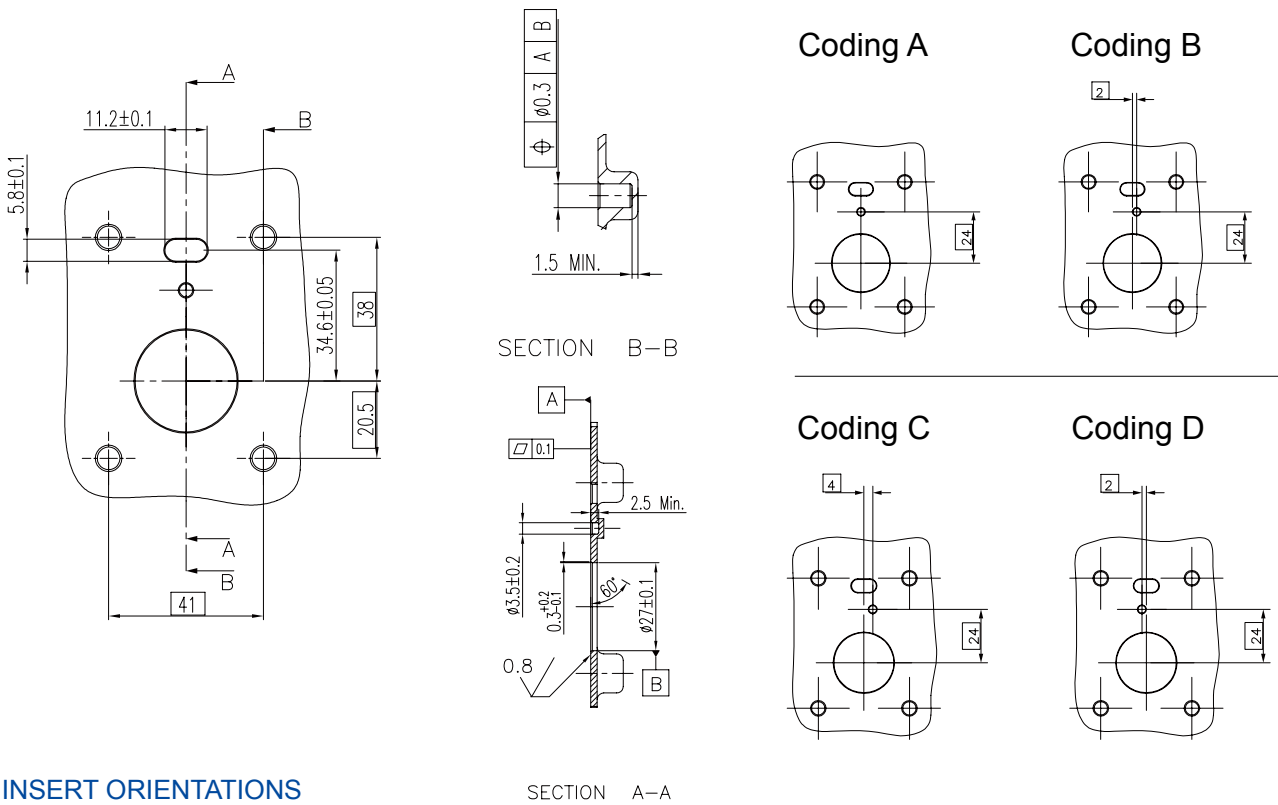
INSERT ORIENTATIONS



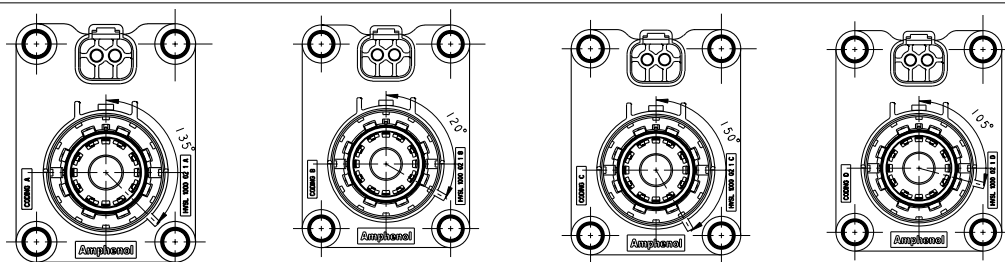
RECEPTACLE BOX MOUNTED



PANEL MOUNTING DIMENSIONS

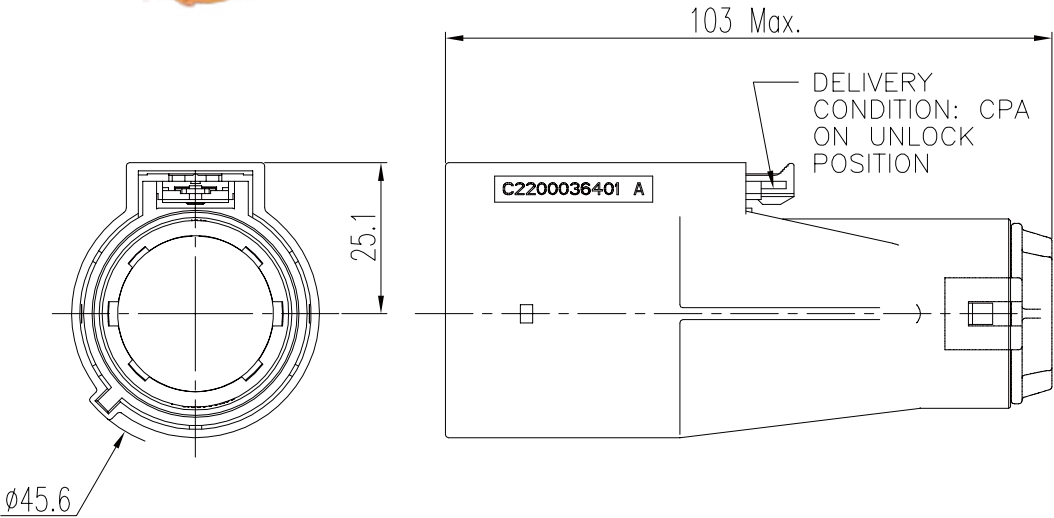


INSERT ORIENTATIONS

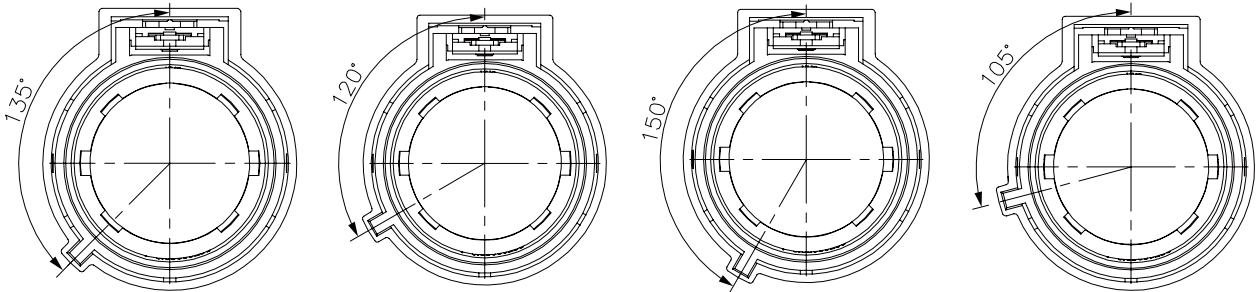


	Coding A	Coding B	Coding C	Coding D
P/N	HVSL1000 02 1 A	HVSL1000 02 1 B	HVSL1000 02 1 C	HVSL1000 02 1 D

PLUG

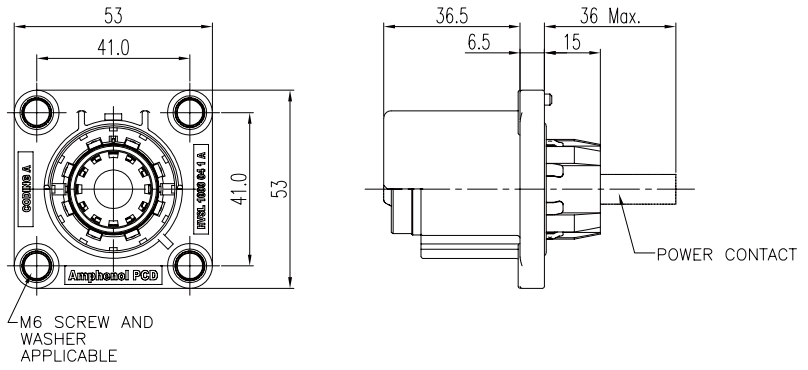


INSERT ORIENTATIONS

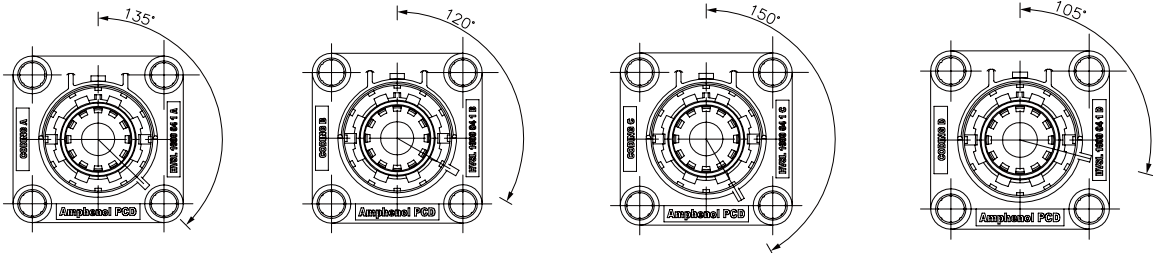


	Coding A	Coding B	Coding C	Coding D
P/N	HVSL1000 06 1 A	HVSL1000 06 1 B	HVSL1000 06 1 C	HVSL1000 06 1 D

RECEPTACLE BOX MOUNTED **WITHOUT INTERLOCK**

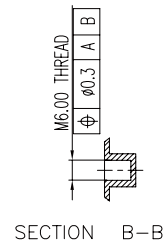
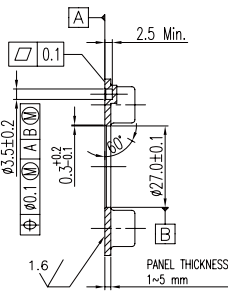
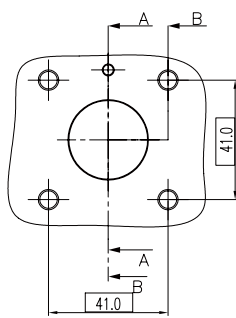


INSERT ORIENTATIONS

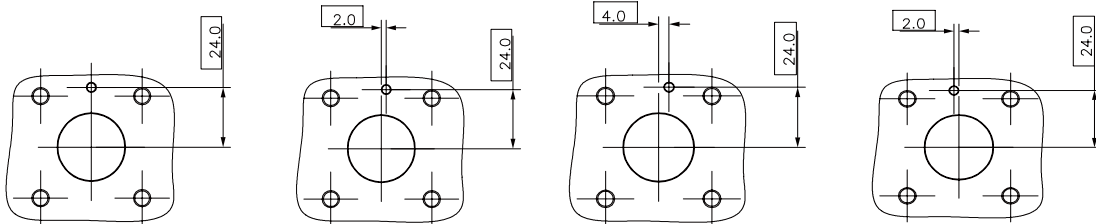


	Coding A	Coding B	Coding C	Coding D
P/N	HVSL1000 04 1 A	HVSL1000 04 1 B	HVSL1000 04 1 C	HVSL1000 04 1 D

PANEL MOUNTING DIMENSIONS

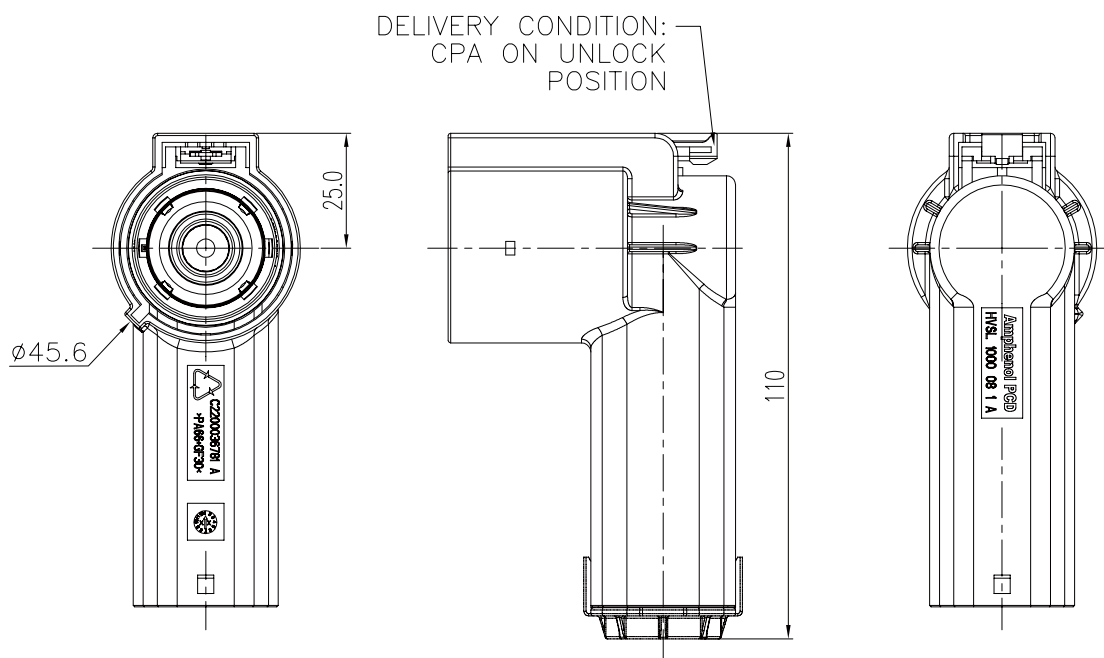


SECTION A-A

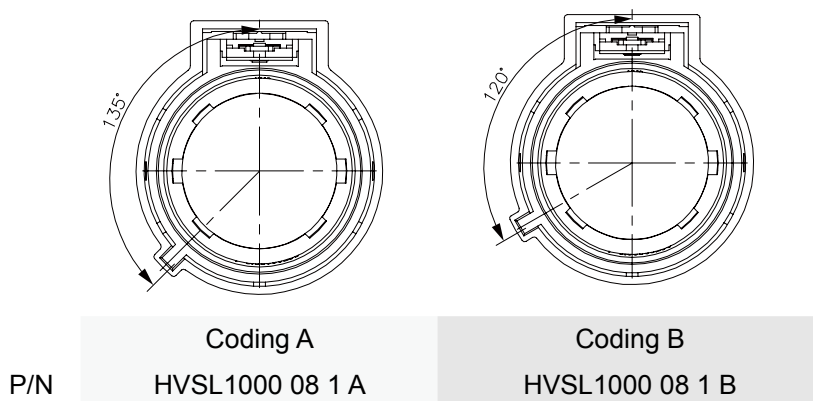


Coding A	Coding B	Coding C	Coding D
----------	----------	----------	----------

PLUG RIGHT ANGLE

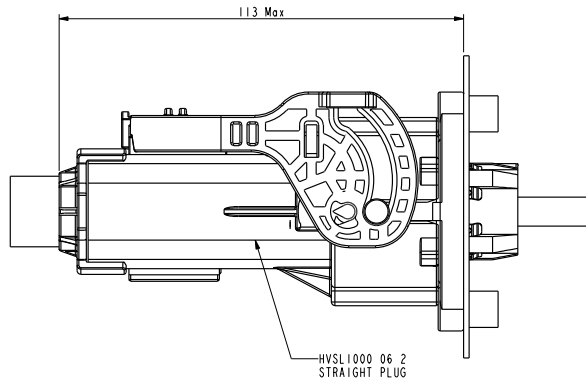


INSERT ORIENTATIONS

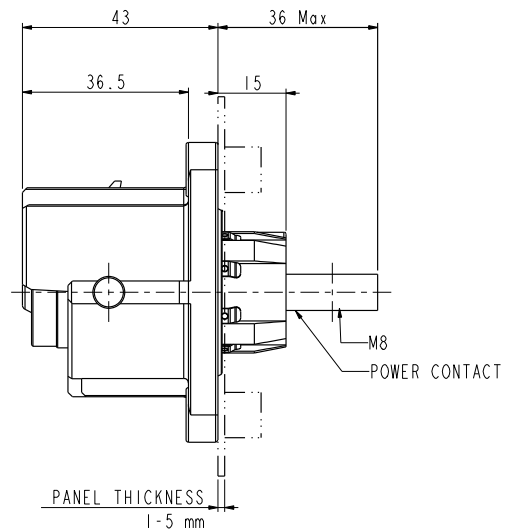
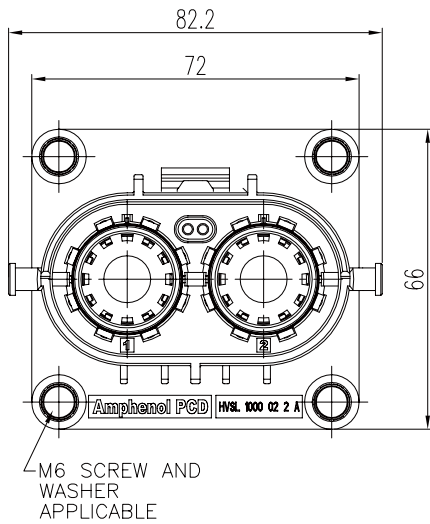


Excel|Mate Plus (HVSL 1000)

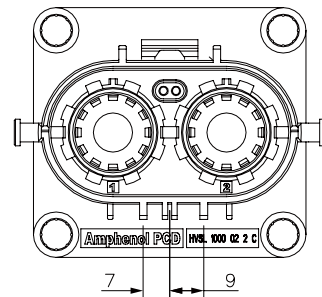
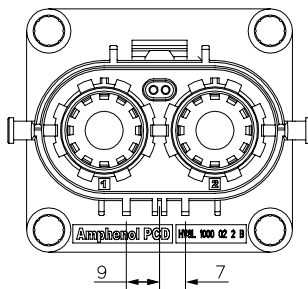
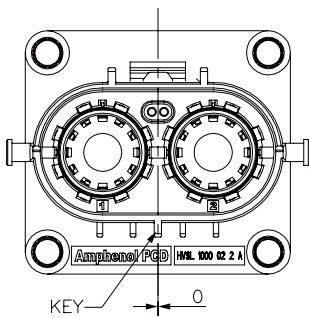
2 PIN RECEPTACLE BOX MOUNTED



CONNECTOR MATED OUTLINE

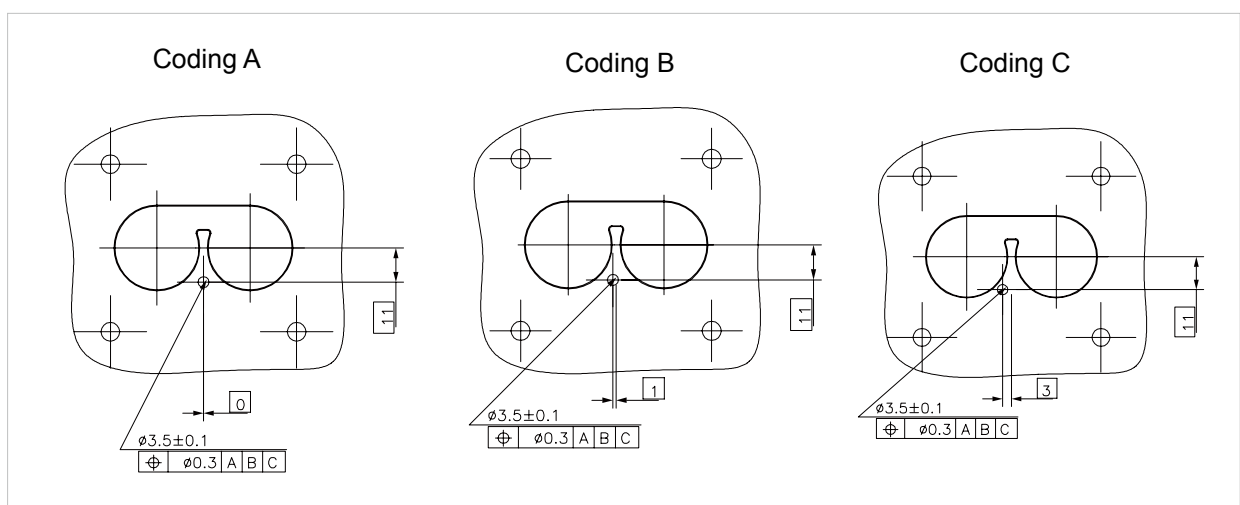
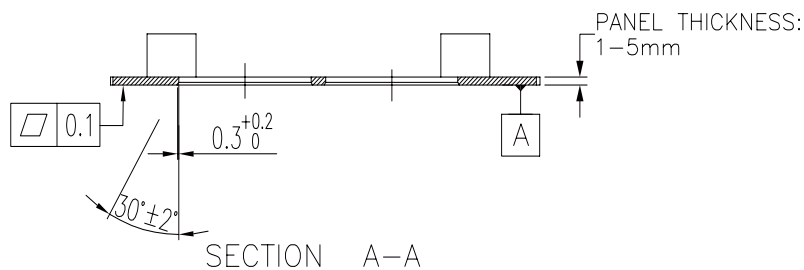
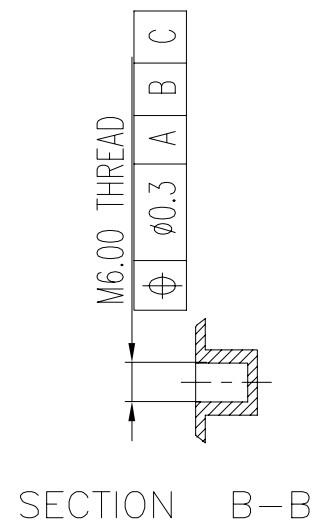
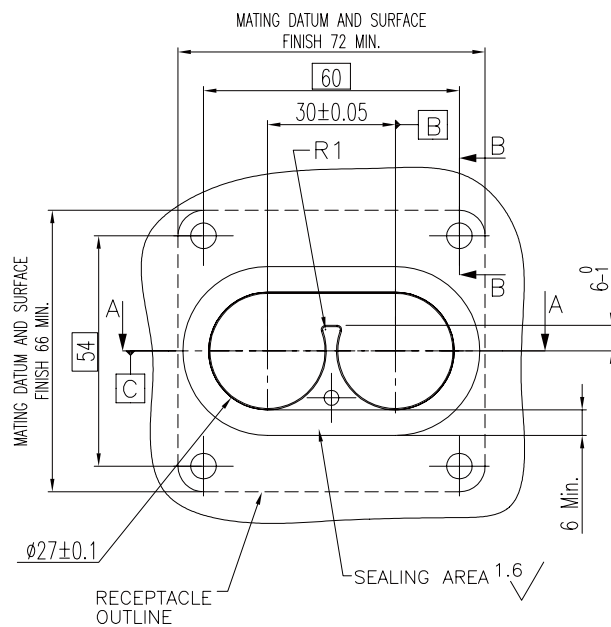


INSERT ORIENTATIONS



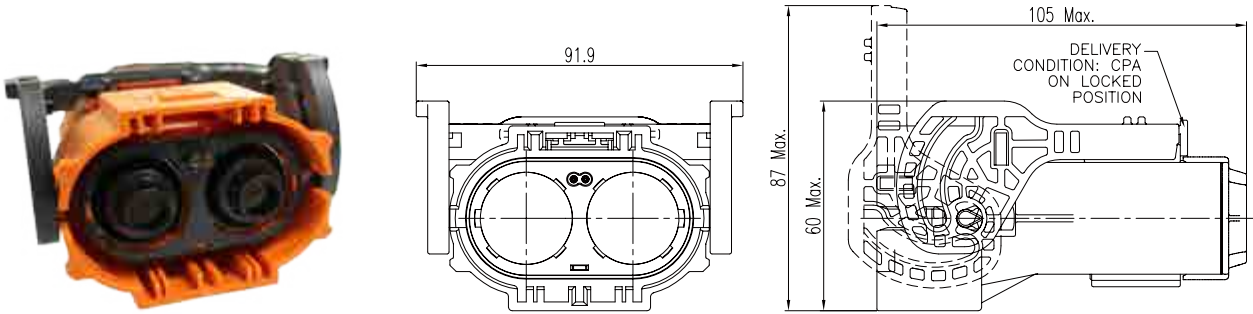
	Coding A	Coding B	Coding C
P/N	HVSL1000 02 2 A	HVSL1000 02 2 B	HVSL1000 02 2 C

PANEL MOUNTING DIMENSIONS

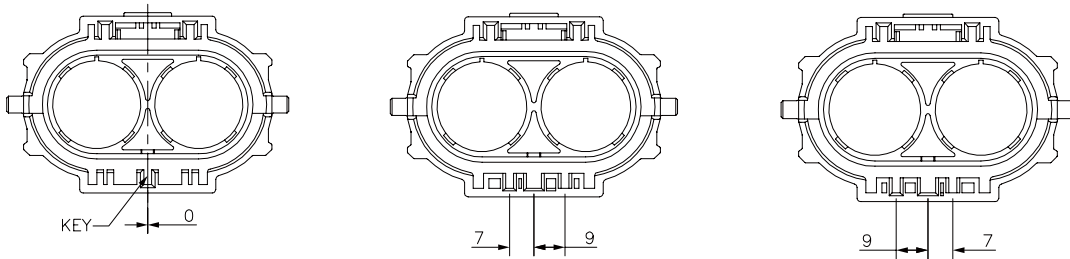


ExcelMate Plus (HVSL 1000)

2 PIN PLUG

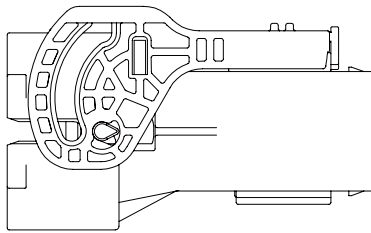


INSERT ORIENTATIONS

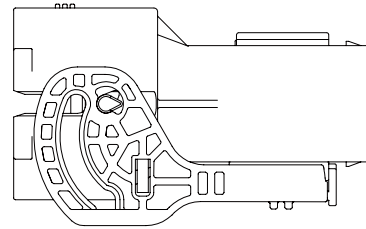


	Coding A	Coding B	Coding C
P/N	HVSL1000 06 2 A	HVSL1000 06 2 B	HVSL1000 06 2 C

LEVER POSITION

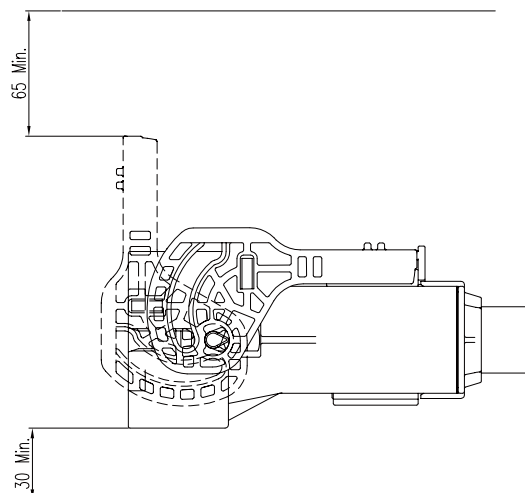


STANDARD LEVER

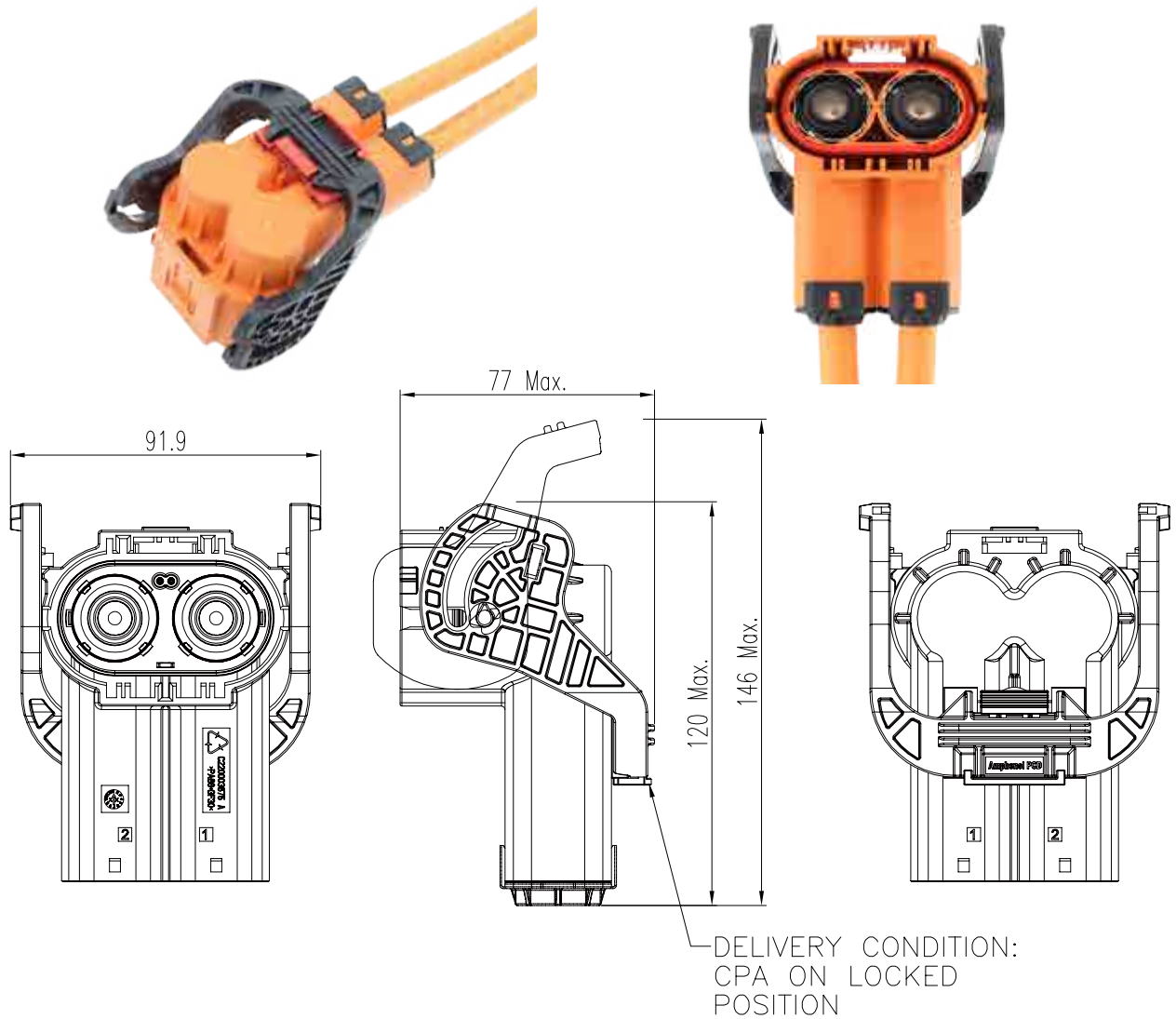


REVERSE LEVER

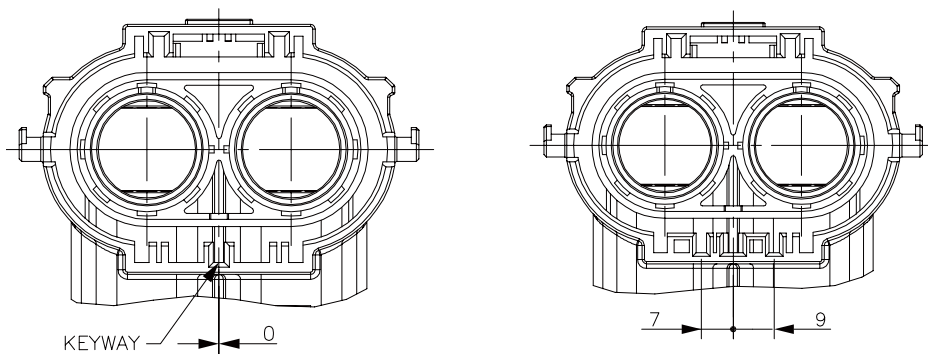
INSTALLATION CLEARANCE



2 PIN PLUG RIGHT ANGLE

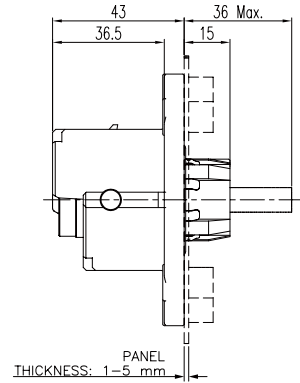
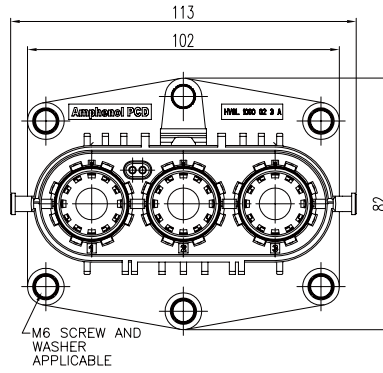


INSERT ORIENTATIONS

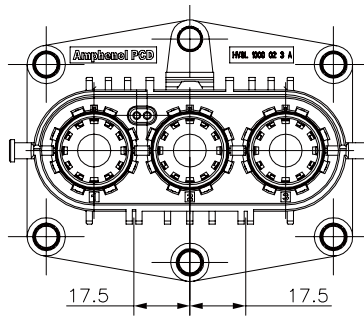


	Coding A	Coding B
P/N	HVSL1000 08 2 A	HVSL1000 08 2 B

3 PIN RECEPTACLE BOX MOUNTED



INSERT ORIENTATIONS

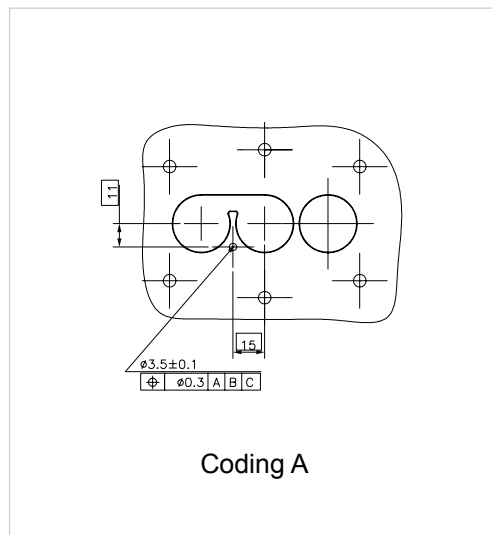
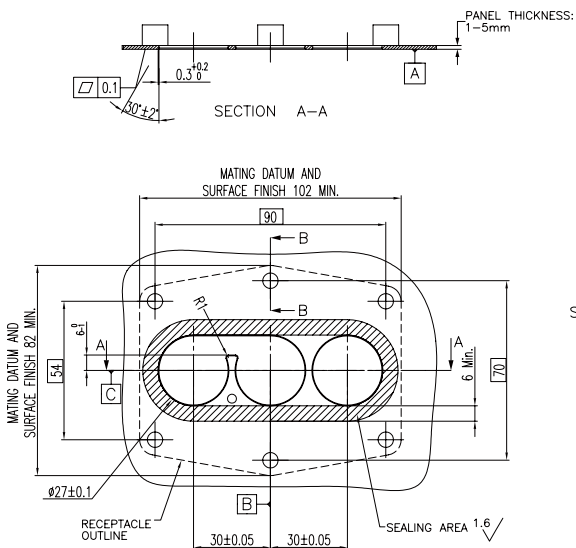


Coding A

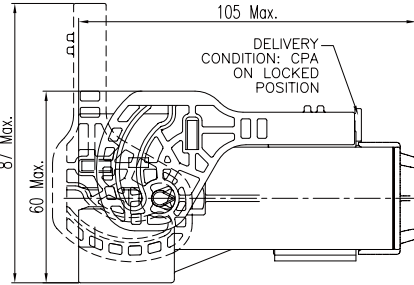
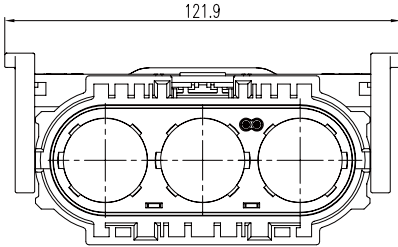
P/N

HVSL1000 02 3 A

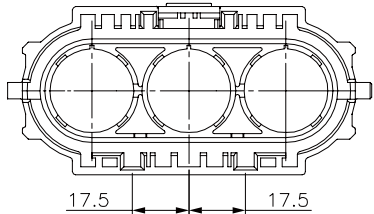
PANEL MOUNTING DIMENSIONS



3 PIN PLUG

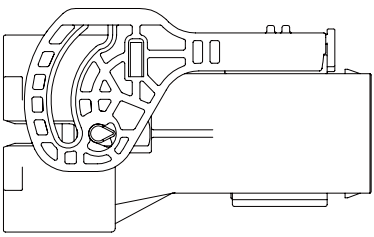


INSERT ORIENTATIONS

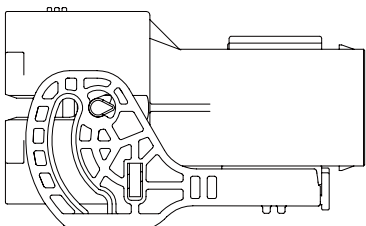


Coding A
P/N HVSL1000 06 3 A

LEVER POSITION

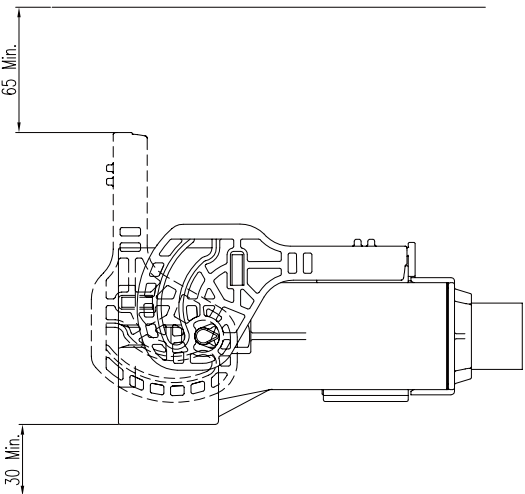


STANDARD LEVER



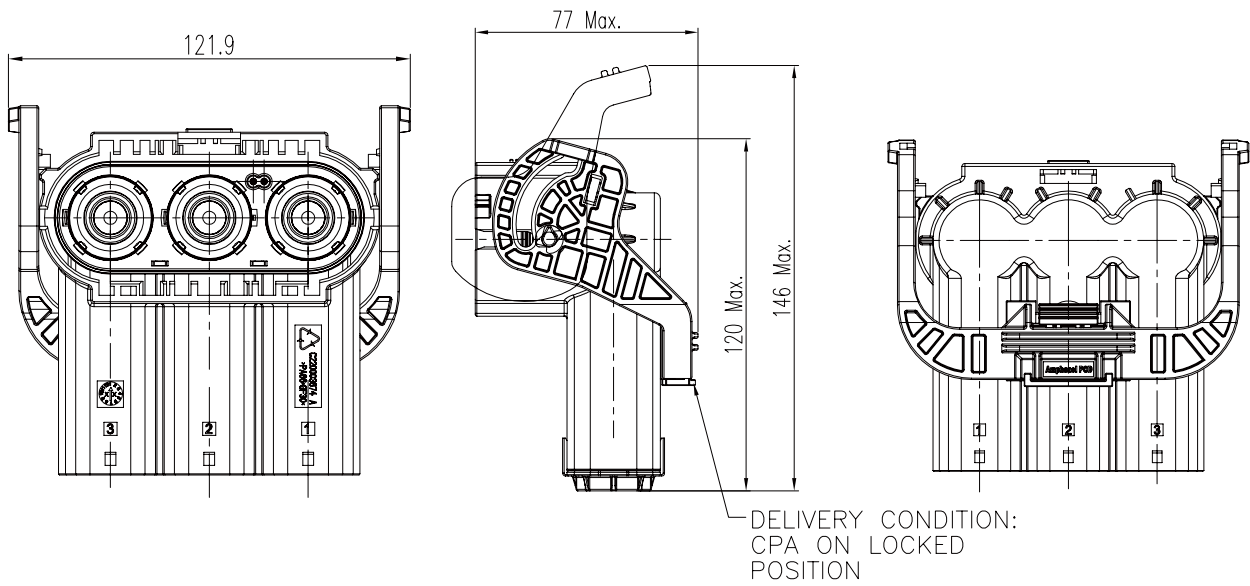
REVERSE LEVER

INSTALLATION CLEARANCE

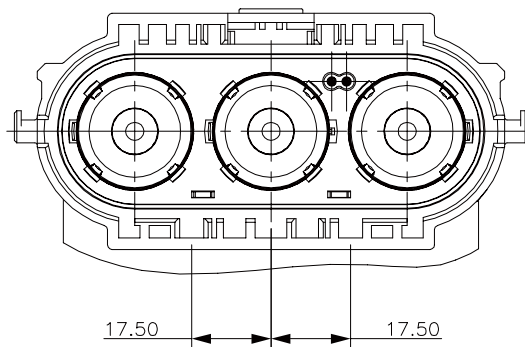


Excel|Mate Plus (HVSL 1000)

3 PIN PLUG RIGHT ANGLE



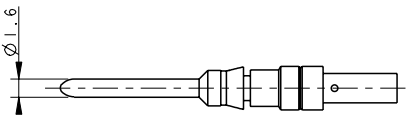
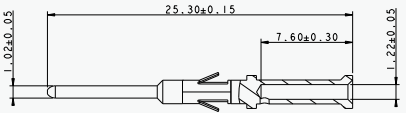
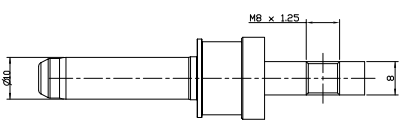
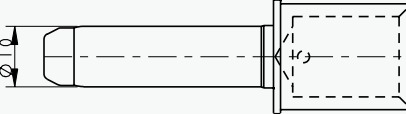
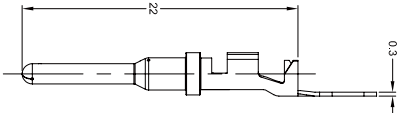
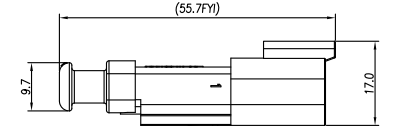
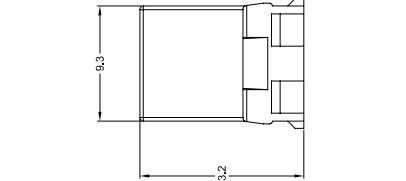
INSERT ORIENTATIONS



P/N **Coding A**
HVSL1000 08 3 A

ATTACHMENT: CONTACTS FOR RECEPTACLE

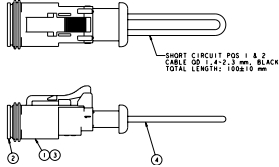
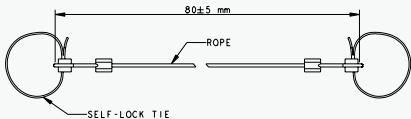
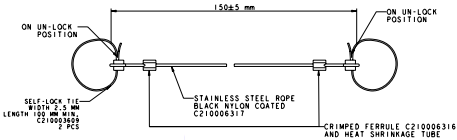
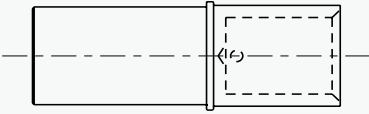
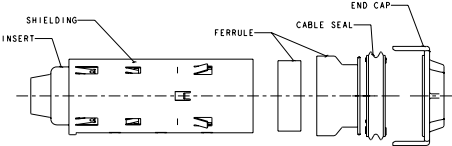
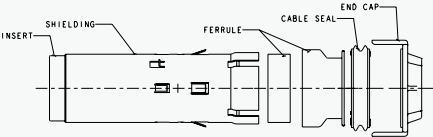
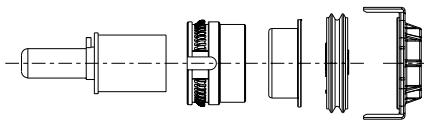
All connectors include contacts. For extra contacts, please order them separately (ref: P/N below)

Name	Contact P/N & Wire Size	Drawing
1 Pin Box mounted receptacle for Interlock	C42000400504G 0.5mm ² max wire	
2 or 3 pin for Interlock	C200003609 0.5mm ² max wire	
Power contact Thread for Bus-bar	C4200036152	
Power contact Crimp for wire	C42000361511 - 70mm ² wire C42000361512 - 50mm ² wire C42000361513 - 35mm ² wire C42000361514 - 25mm ² wire	
1 Pin: In-line receptacle for Interlock	AT60-16-0622 0.5mm ² max wire	
	AT04-2P-SR02BLK 0.5mm ² max wire	
	AW2P	

CONTACTS FOR RECEPTACLE

ATTACHMENT: CONTACTS FOR PLUG

All connectors include contacts. For extra contacts, please order them separately (ref: P/N below)

Name	Contact P/N & Wire Size	Drawing
1 Pin HVIL plug	C210003610	
1 Pin (For In-line plug) Rope for Interlock	C210003608 (Order with HVIL plug)	
1 Pin (For R/A plug) Rope for Interlock	C210003611 (Order with HVIL plug)	
Socket contact	C4200036161 - 70mm ² wire C4200036162 - 50mm ² wire C4200036163 - 35mm ² wire C4200036164 - 25mm ² wire	
Kit of socket insert For plug	C4220036011 - 70mm ² wire C4220036012 - 50mm ² wire C4220036013 - 35mm ² wire C4220036014 - 25mm ² wire	
Kit of socket insert For receptacle in-line	C4220036021 - 70mm ² wire C4220036022 - 50mm ² wire C4220036023 - 35mm ² wire C4220036024 - 25mm ² wire	
Power contact - rear Crimp for wire for right angle plug	C4220036031 - 70mm ² wire C4220036032 - 50mm ² wire C4220036033 - 35mm ² wire C4220036034 - 25mm ² wire	

HVSL 1000 | PRODUCT SERIES OVERVIEW

Single pin
(HVIL External)



In-line receptacle



In-line plug

Single pin
(Without HVIL)



2 pin
(HVIL Integrated)



3 pin
(HVIL Integrated)



HOW TO ORDER (HVSL 1000)

HOW TO ORDER: PLUG

HVSL1000	06	1	A	0	35
Product type: 06: Straight plug 08: Right angle plug					
Position: 1: 1 position 2: 2 position 3: 3 position					
Coding / Alternate position: A: Coding A B: Coding B (Only for 2 & 3 positions) C: Coding C (Only for 2 & 3 positions) D: Coding D (Only for 1 position)					
Interlock: 0: Without interlock 1: With interlock					
Cable size: 25: 25mm ² cable 35: 35mm ² cable 50: 50mm ² cable 70: 70mm ² cable					

HOW TO ORDER: RECEPTACLE

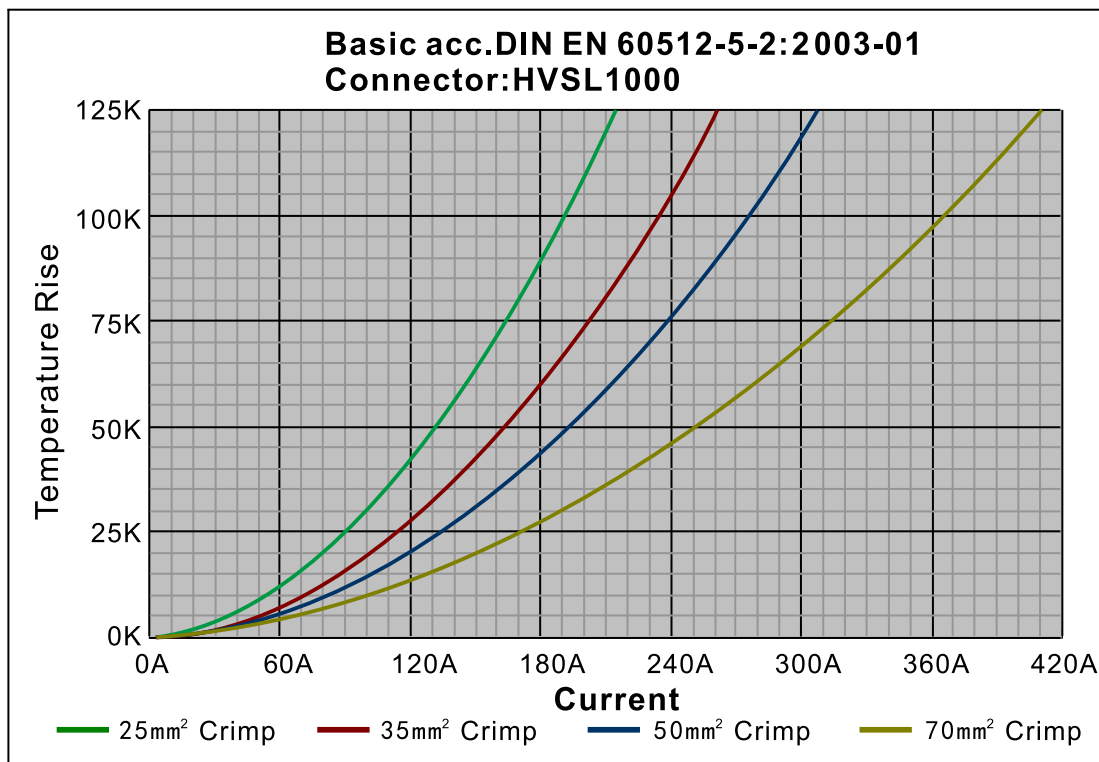
HVSL1000	01	1	A	0	H8
Product type: 01: In-line receptacle 02: Box mounted receptacle 04: Box mounted receptacle without Interlock					
Position: 1: 1 position 2: 2 position 3: 3 position					
Coding / Alternate position: A: Coding A B: Coding B (Only for 2 & 3 positions) C: Coding C (Only for 2 & 3 positions) D: Coding D (Only for 1 position)					
Interlock: 0: Without interlock 1: With interlock					
Cable size: H8: OT terminal					

EXTRACTION TOOL FOR RECEPTACLE

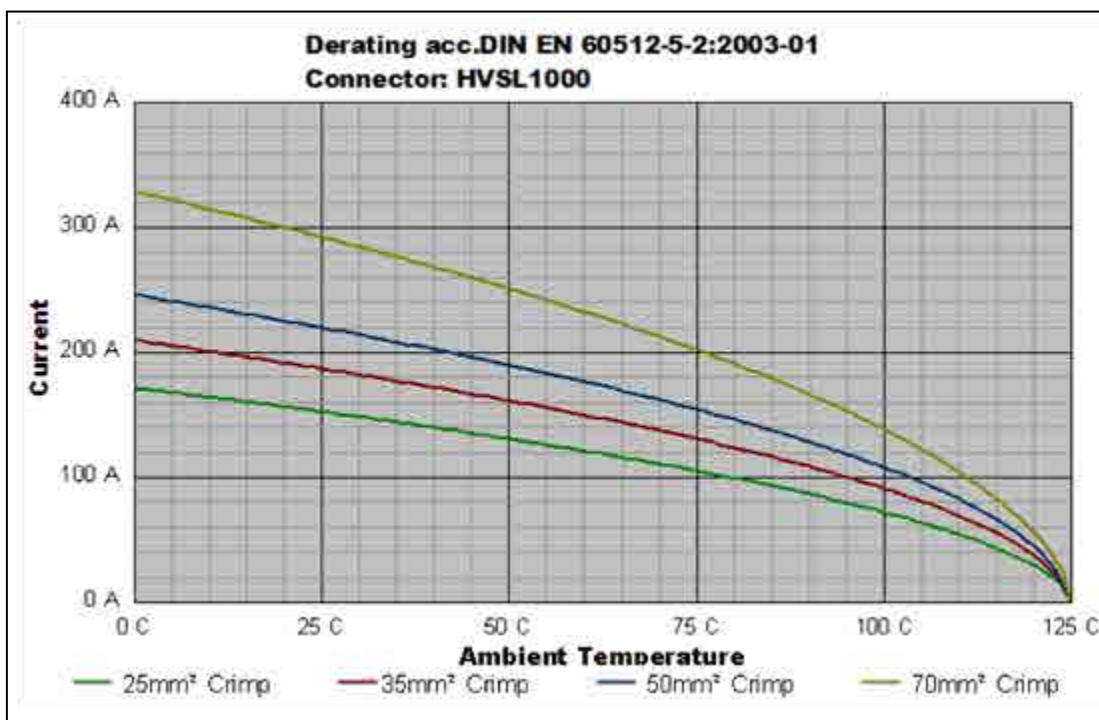
HVIL-contact Extraction tool: HVTOOL10R



HVSL 1000 | Temperature Rise



HVSL 1000 | Derating Curve



Remark: tests carried out on the complete connector.

Excel|Mate S (HVSL 800)

Excel|Mate S



Excel|Mate S

Excel|Mate S is a 2 pin and 3 pin connector with a current carrying capacity from 120 to 180A and 25 to 50 mm² crimping cable.

Specially designed for battery, inverters, junction boxes, power distribution boxes and others xEV devices' equipment.

KEY FEATURES

- Integrated internal HVIL
- Current rating up to 180A
- No tool required to unmate
- Sealing, IP67 , IP6K9K
- Touch-proof, IP2XB
- Multiple coding positions
- CPA available

MECHANICAL

Durability	≥ 50 mating cycles
Wire range	25 to 50 mm ² shielded wire
Insertion and extraction force	< 100N
Connection type	Copper bar
HVIL	Integrated
CPA	CPA

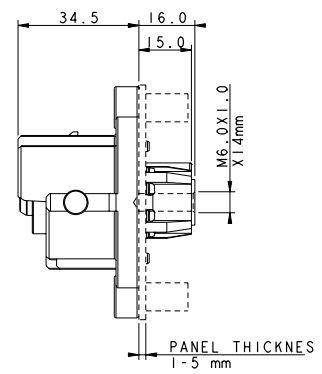
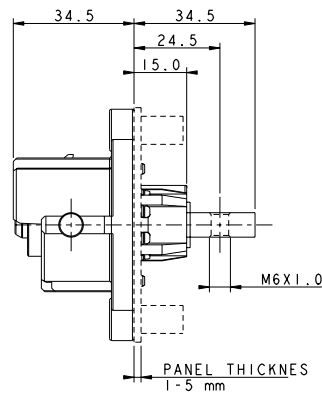
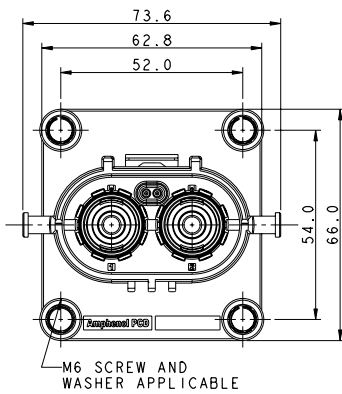
ELECTRICAL

Rated voltage	1000V DC
Rated current	Max 180A @ ambient temperature 70°C
Insulator resistance	> 200MΩ
Dielectric withstand voltage	3000V AC
Shielding	360° from wire to device

ENVIRONMENTAL

Sealing	IP67, IP6K9K (mated)
Touch-proof	IP2XB
Temperature range	-40°C to 125°C

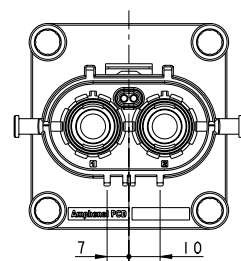
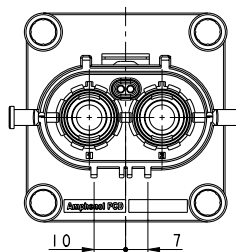
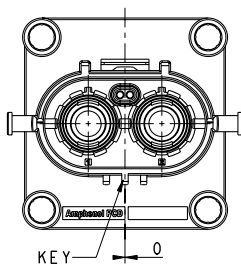
2 PIN RECEPTACLE



POWER CONTACT
HOLE TERMINATION

POWER CONTACT
SCREW TERMINATION - INTERNAL

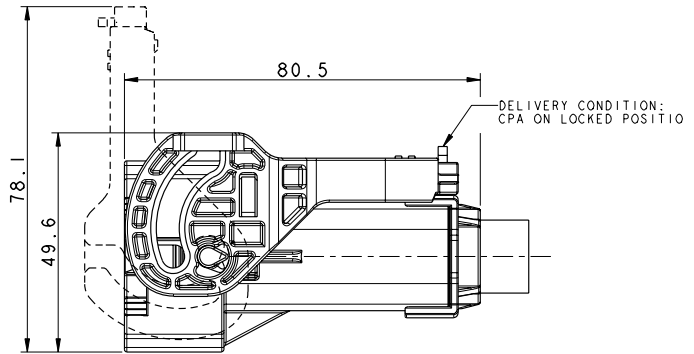
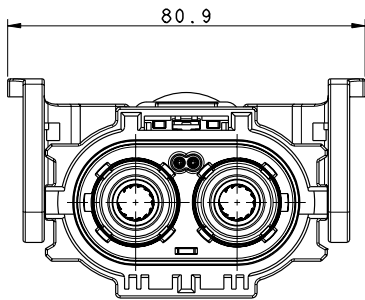
INSERT ORIENTATIONS



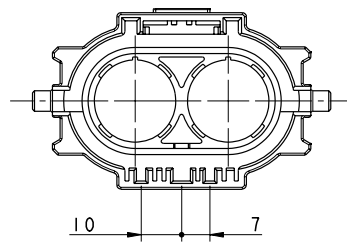
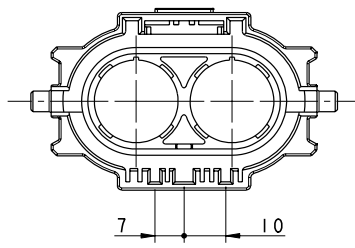
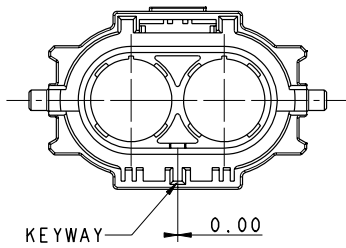
	Coding A	Coding B	Coding C
P/N	HVSL800 02 2 A	HVSL800 02 2 B	HVSL800 02 2 C

Excel|Mate S (HVSL 800)

2 PIN STRAIGHT PLUG

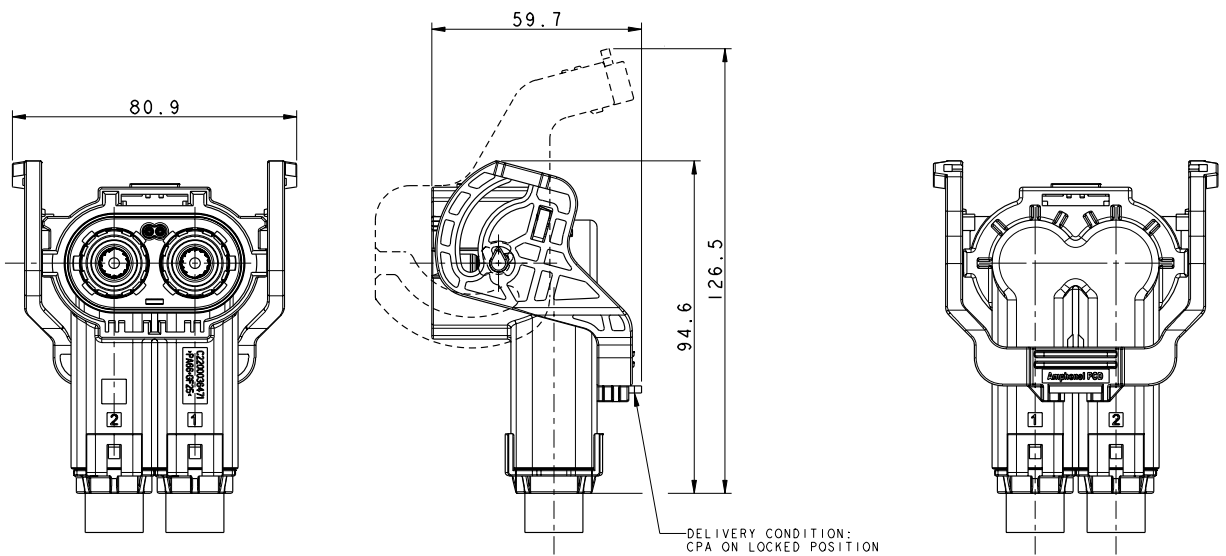


INSERT ORIENTATIONS

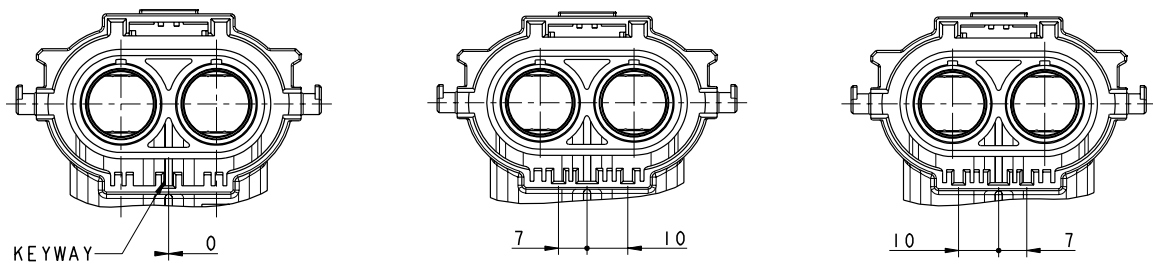


	Coding A	Coding B	Coding C
P/N	HVSL800 06 2 A	HVSL800 06 2 B	HVSL800 06 2 C

2 PIN RIGHT ANGLE PLUG

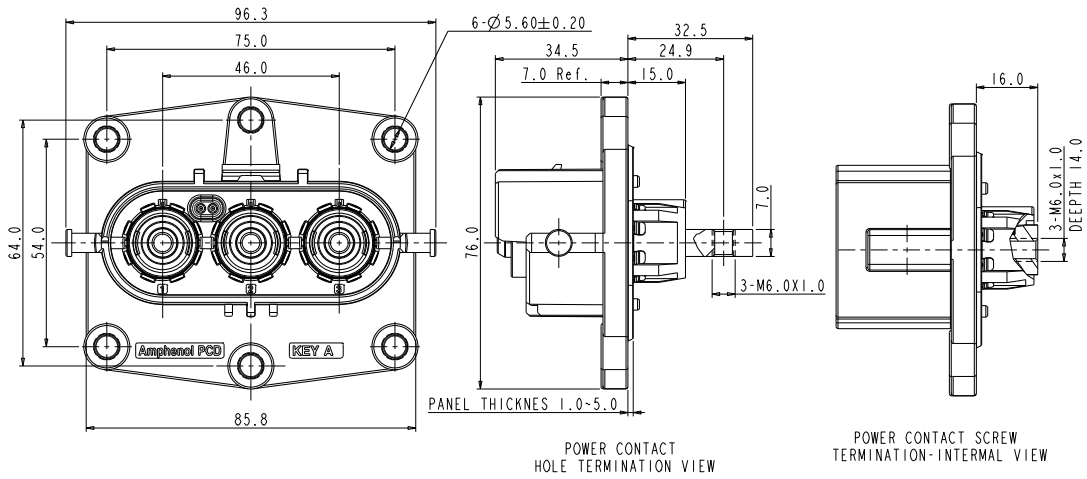


INSERT ORIENTATIONS

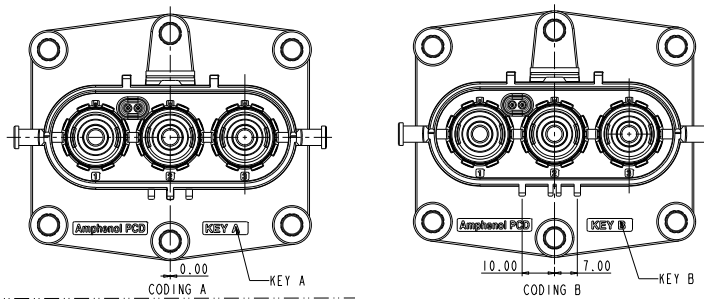


	Coding A	Coding B	Coding C
P/N	HVSL800 08 2 A	HVSL800 08 2 B	HVSL800 08 2 C

3 PIN RECEPTACLE

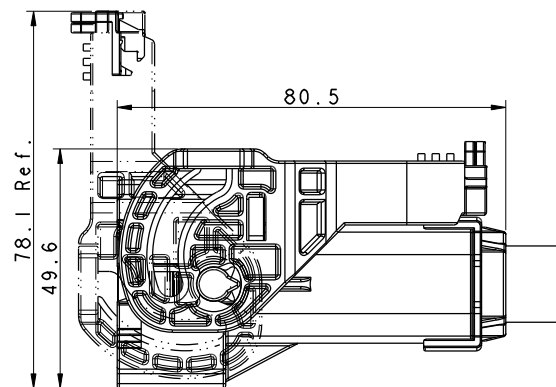
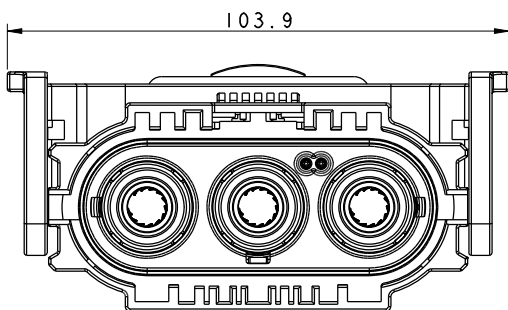


INSERT ORIENTATIONS

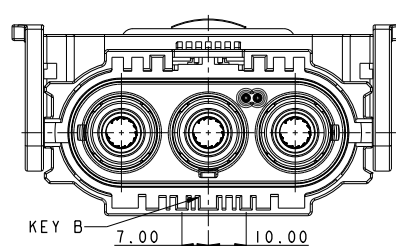
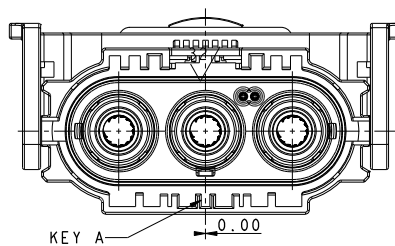


	Coding A	Coding B
P/N	HVSL800 02 3 A	HVSL800 02 3 B

3 PIN STRAIGHT PLUG



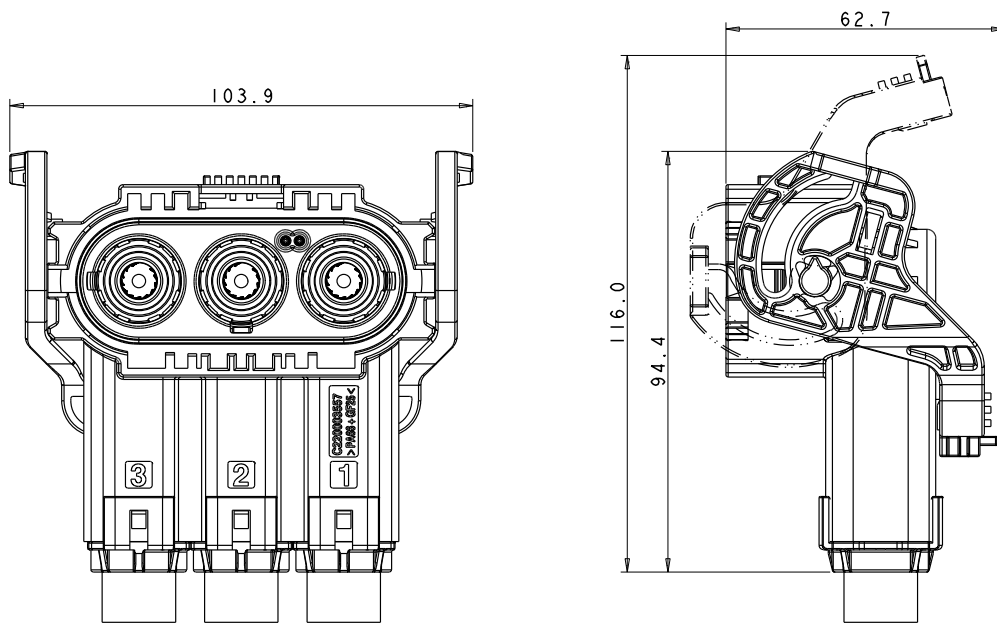
INSERT ORIENTATIONS



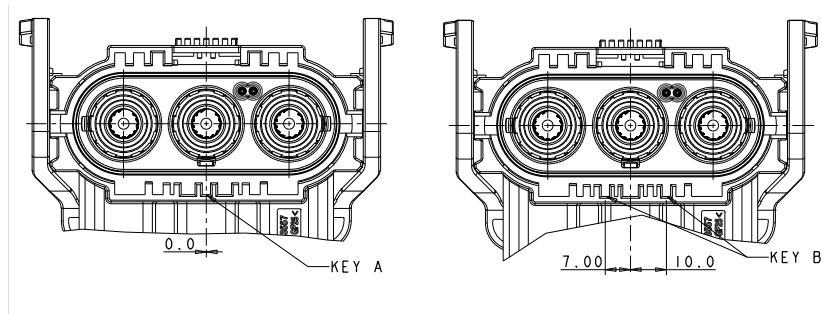
	Coding A	Coding B
P/N	HVSL800 06 3 A	HVSL800 06 3 B

Excel|Mate S (HVSL 800)

3 PIN RIGHT ANGLE PLUG

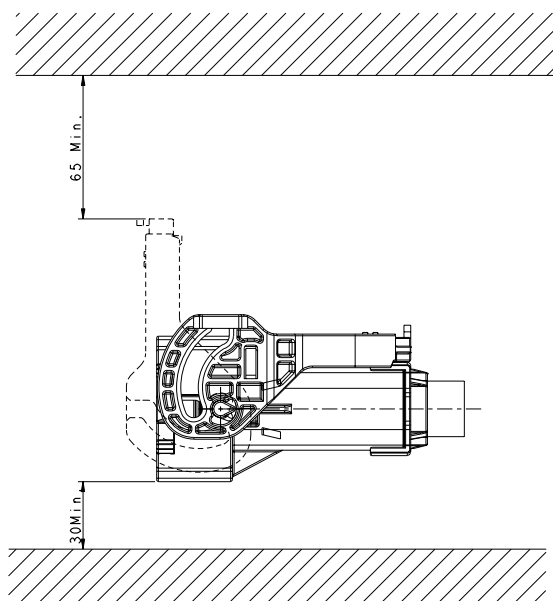


INSERT ORIENTATIONS



	A	B
P/N	HVSL800 08 3 A	HVSL800 08 3 B

INSTALLATION CLEARANCE



EXTRACTION TOOL FOR RECEPTACLE

HVIL-contact Extraction tool: HVTOOL10R



HOW TO ORDER: PLUG

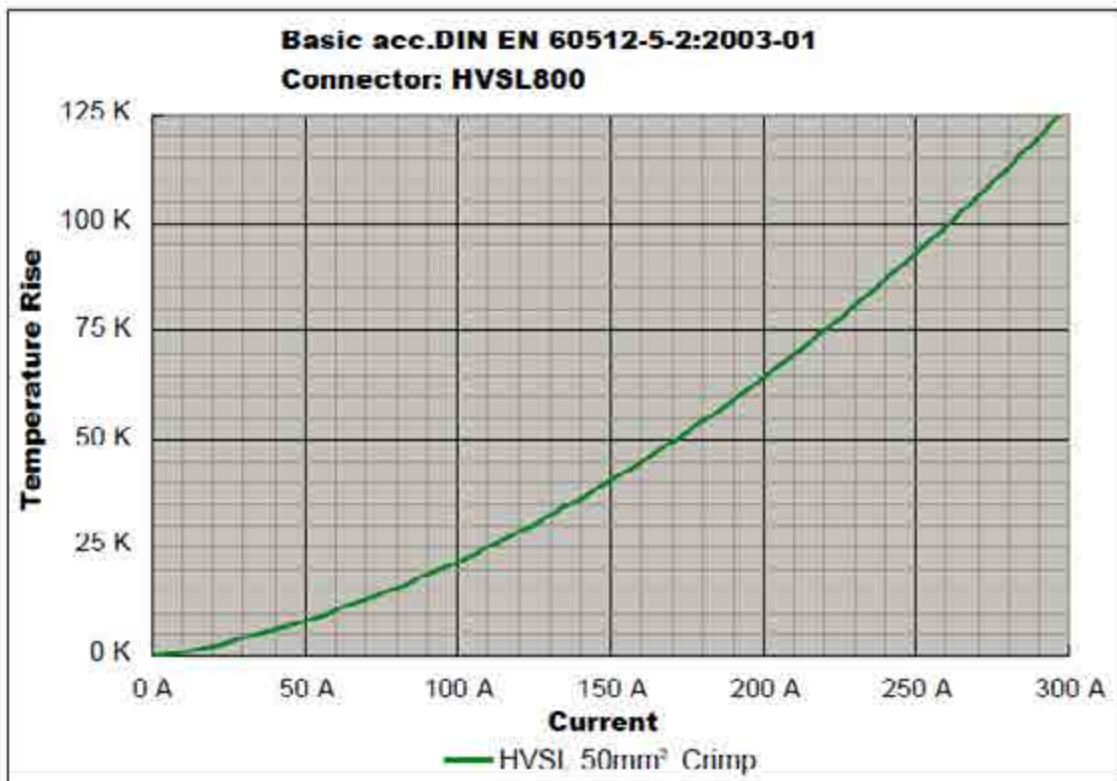
HVSL800	06	2	A	0	50
Product type:					
06: Straight plug 08: Right angle plug					
Position:					
2: 2 position 3: 3 position					
Coding / Alternate position:					
A: Coding A B: Coding B C: Coding C (Only for 2 position)					
Interlock:					
0: Without interlock 1: With interlock					
Cable size:					
25: 25mm ² cable 35: 35mm ² cable 50: 50mm ² cable					

HOW TO ORDER: RECEPTACLE

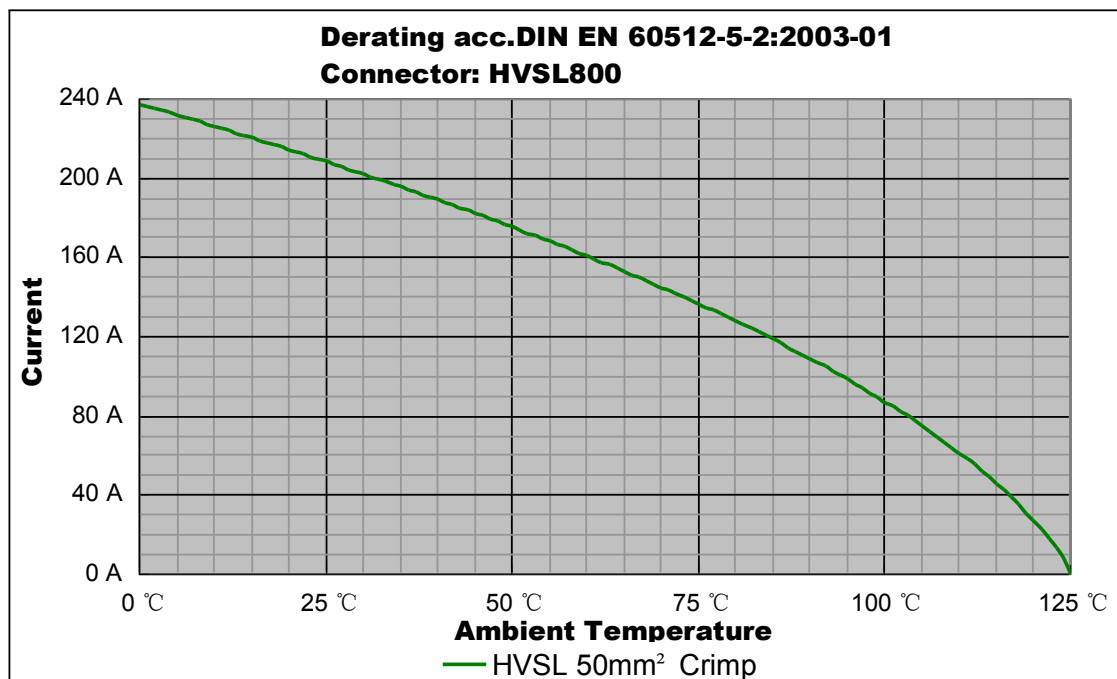
HVSL800	02	2	A	0	H6
Product type:					
02: Box mounted receptacle					
Position:					
2: 2 position 3: 3 position					
Coding / Alternate position:					
A: Coding A B: Coding B C: Coding C (Only for 2 positions)					
Interlock:					
0: Without interlock 1: With interlock					
Cable size:					
H6: Copper bar, OT terminal D6: Screw (Internal), OT terminal					

CHARTS (HVSL 800)

HVSL 800 | Temperature Rise



HVSL 800 | Derating Curve



Remark: tests carried out on the complete connector.

Excel|Mate Metal: 2 PIN & 3 PIN CONNECTOR



Excel|Mate Metal

Excel|Mate Metal is a 2 pin and 3 pin connector with current carrying capacity from 80 to 120A and 16 to 25mm² crimping cable.

Specially designed for battery, inverters, junction boxes, power distribution boxes and others xEV devices' equipment.

KEY FEATURES

Integrated internal HVIL

Current rating up to 120A

No tool required to unmate

Sealing, IP67 (mated), IP6K9K

Touch-proof, IP2XB

Multiple coding positions

CPA available

MECHANICAL

Durability	≥ 50 mating cycles
Wire range	16 to 25 mm ² shielded wire
Insertion and extraction force	< 100N
Connection type	Copper bar
HVIL	Integrated
CPA	Available

ELECTRICAL

Rated voltage	1000V DC
Rated current	120A Max @ ambient temperature 70°C
Insulator resistance	> 200MΩ
Dielectric withstand voltage	3000V AC
Shielding	360° from wire to device

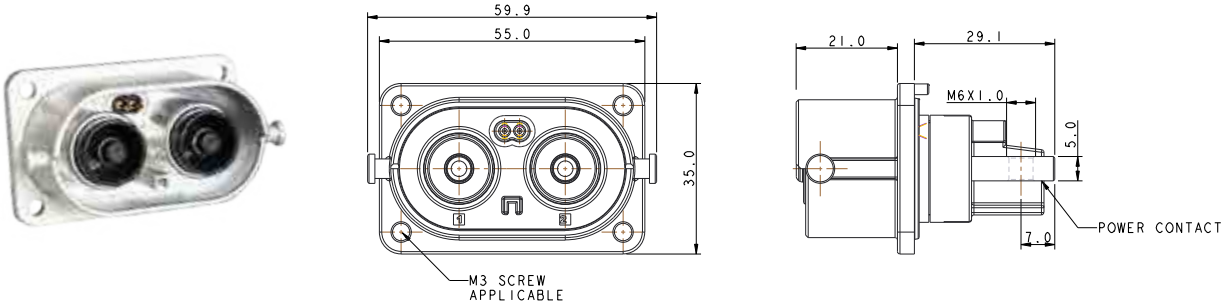
ENVIRONMENTAL

Sealing	IP67, IP6K9K (mated)
Touch-proof	IP2XB
Temperature range	-40°C to 125°C
Salt spray	96 hours

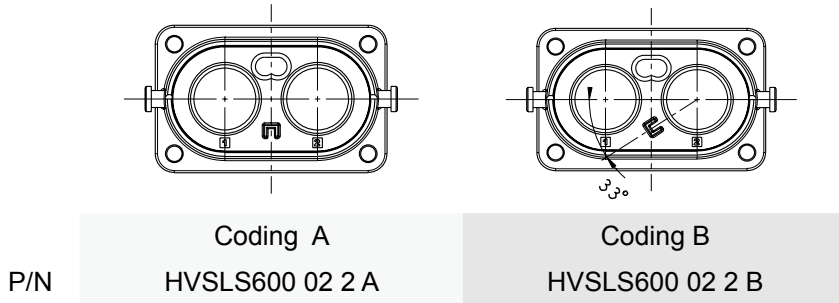
MATERIAL

Terminals	Copper/copper alloy with silver plating
Housing	Zinc alloy

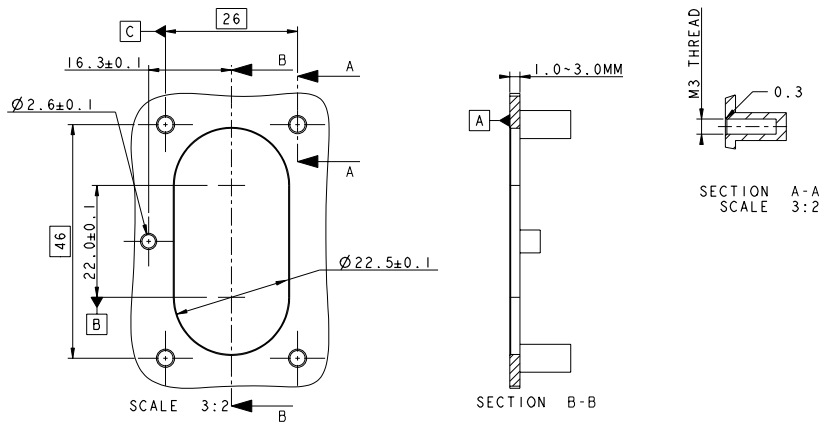
2 PIN RECEPTACLE



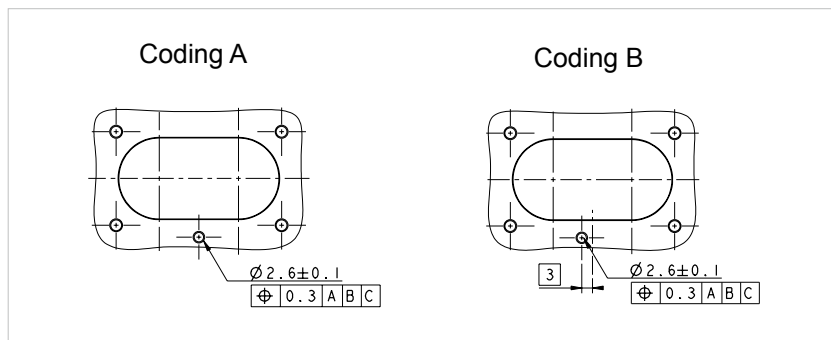
INSERT ORIENTATIONS



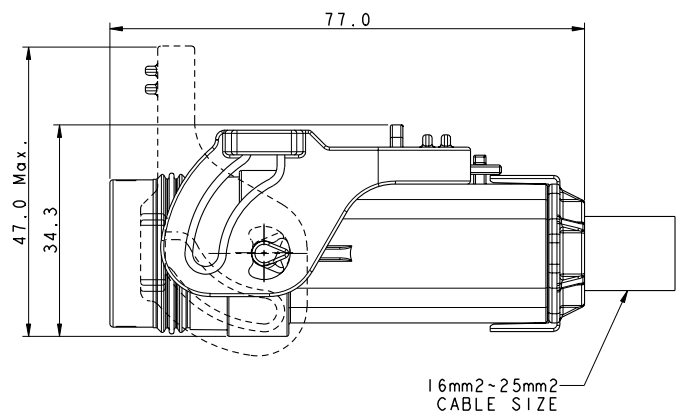
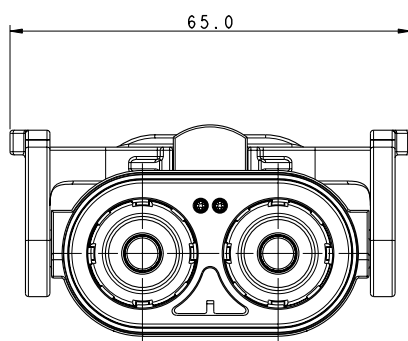
PANEL MOUNTING DIMENSIONS



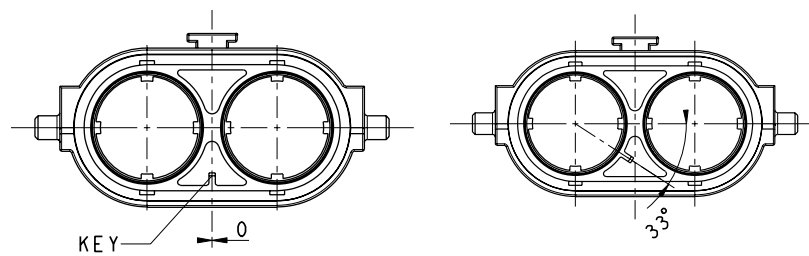
INSERT ORIENTATIONS



2 PIN STRAIGHT PLUG



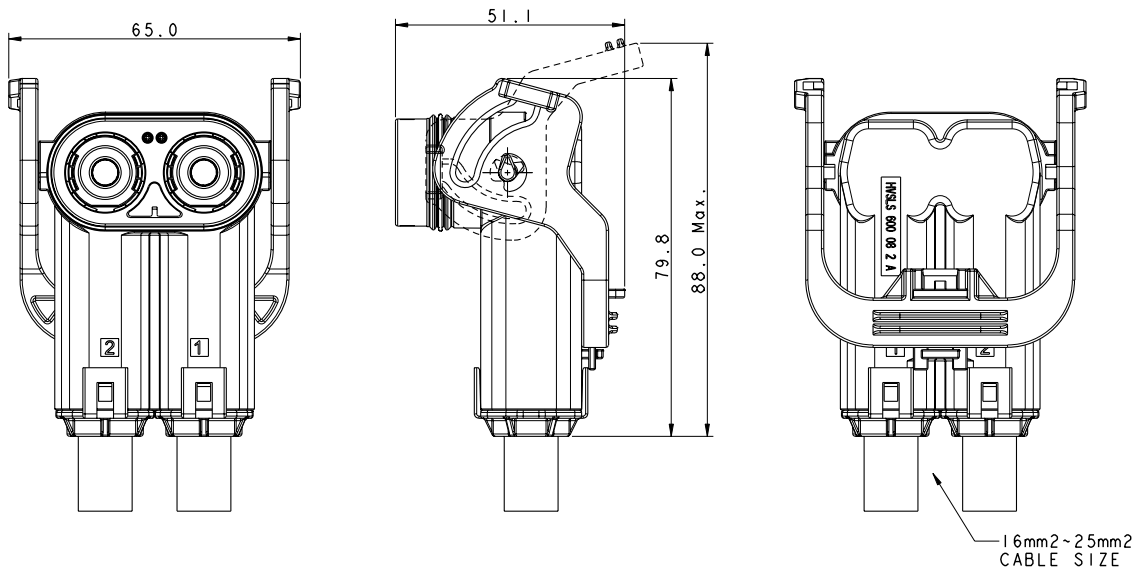
INSERT ORIENTATIONS



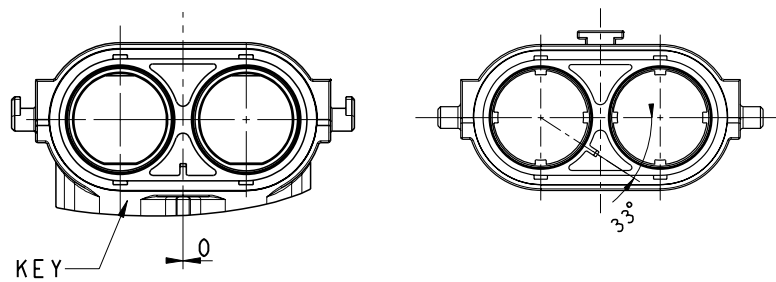
	Coding A	Coding B
P/N	HVSL S600 06 2 A	HVSL S600 06 2 B

Excel|Mate Metal (HVSL S 600)

2 PIN RIGHT ANGLE PLUG

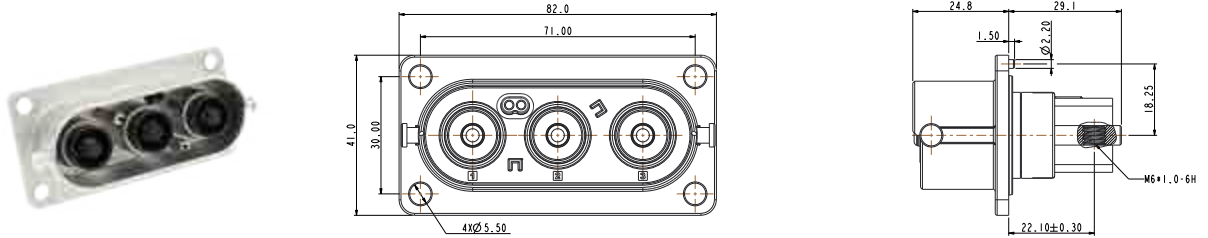


INSERT ORIENTATIONS

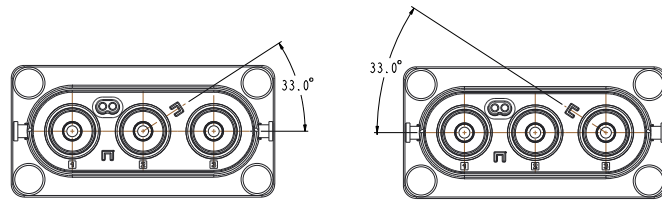


	Coding A	Coding B
P/N	HVSL S600 08 2 A	HVSL S600 08 2 B

3 PIN RECEPTACLE

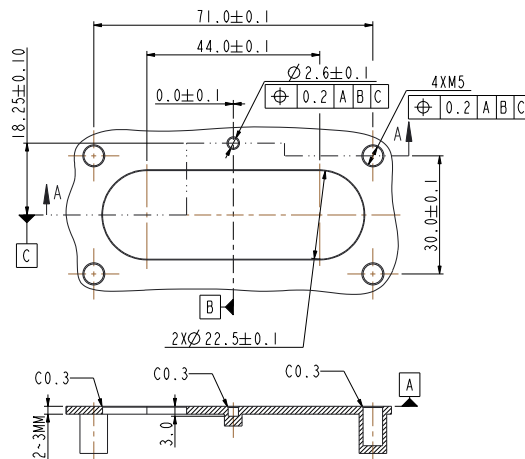


INSERT ORIENTATIONS

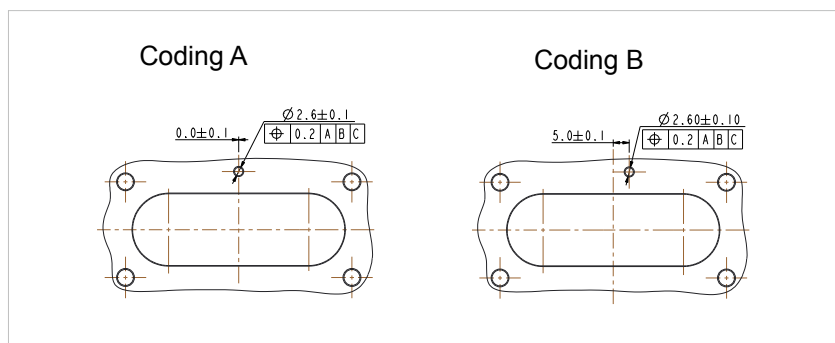


P/N	Coding A	Coding B
	HVSL600 02 3 A	HVSL600 02 3 B

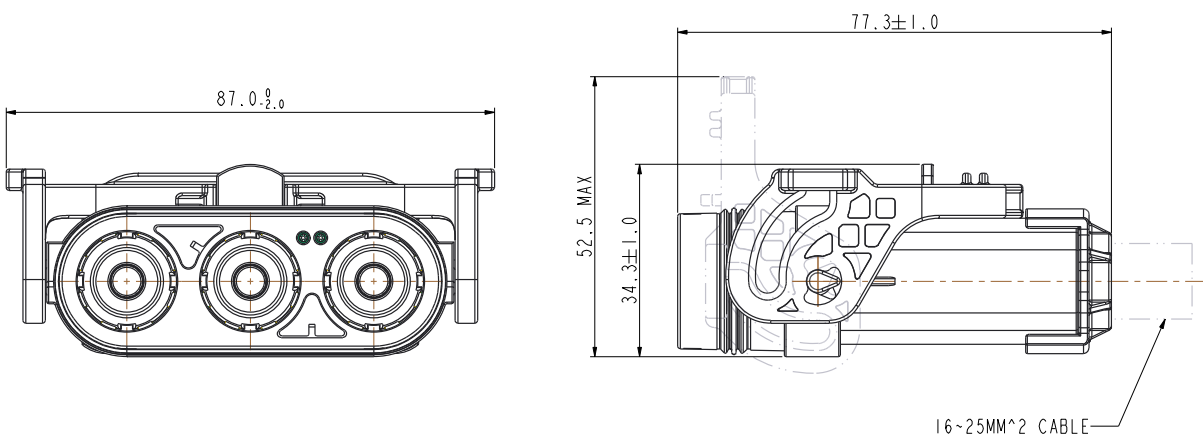
PANEL MOUNTING DIMENSIONS



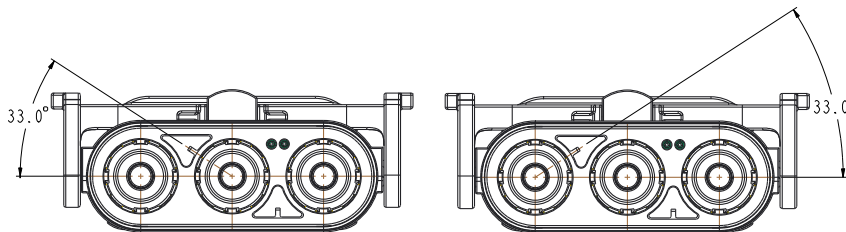
INSERT ORIENTATIONS



3 PIN STRAIGHT PLUG

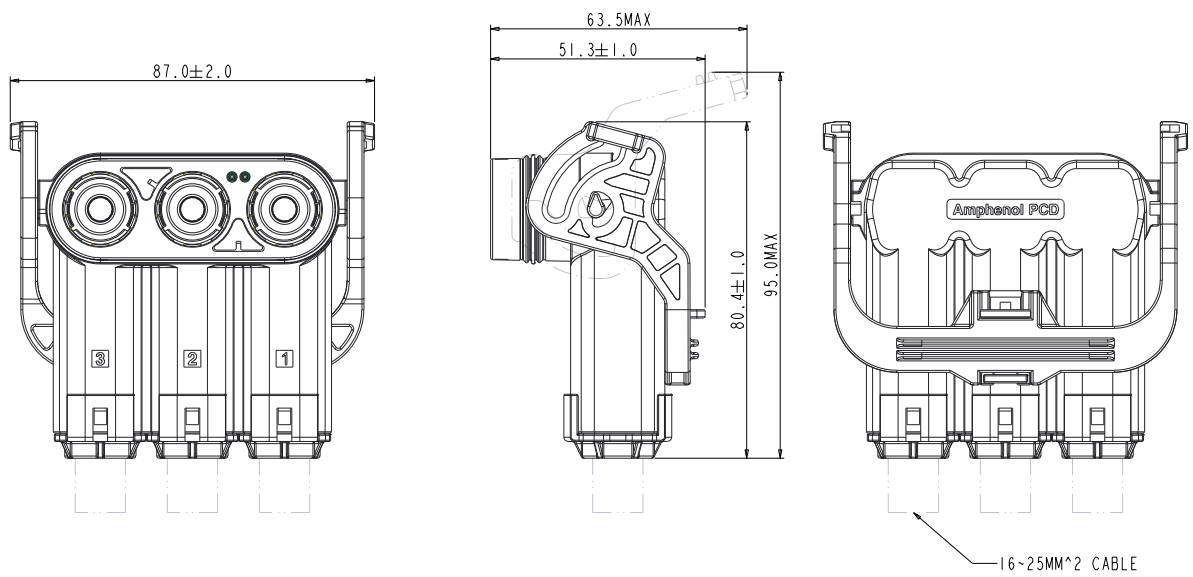


INSERT ORIENTATIONS

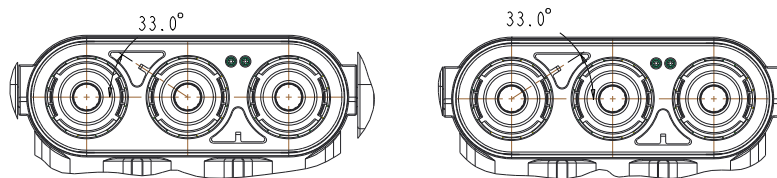


	Coding A	Coding B
P/N	HVSL600 06 3 A	HVSL600 06 3 B

3 PIN RIGHT ANGLE PLUG

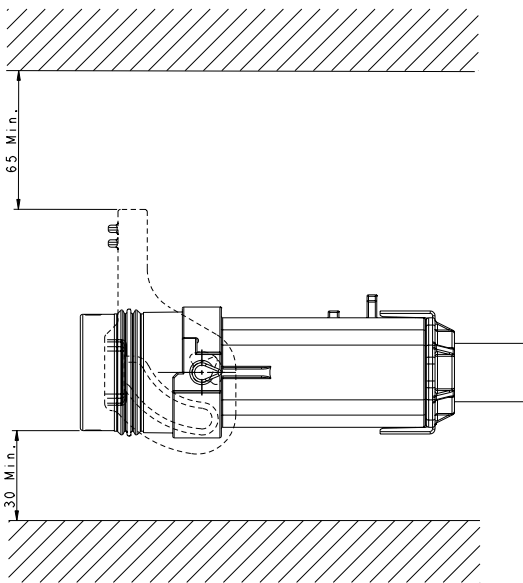


INSERT ORIENTATIONS



P/N	Coding A HVSL600 08 2 A	Coding B HVSL600 08 2 B
-----	----------------------------	----------------------------

INSTALLATION CLEARANCE



TOOL FOR RIGHT ANGLE PLUGS

Tool for locking contacts: HVSLP033002



Remark:

Customer needs to use fixture HVSLP033002 with Stanley torque wrench sleeve (purchased by the customer) for assembling the finish product HVSLS600082.

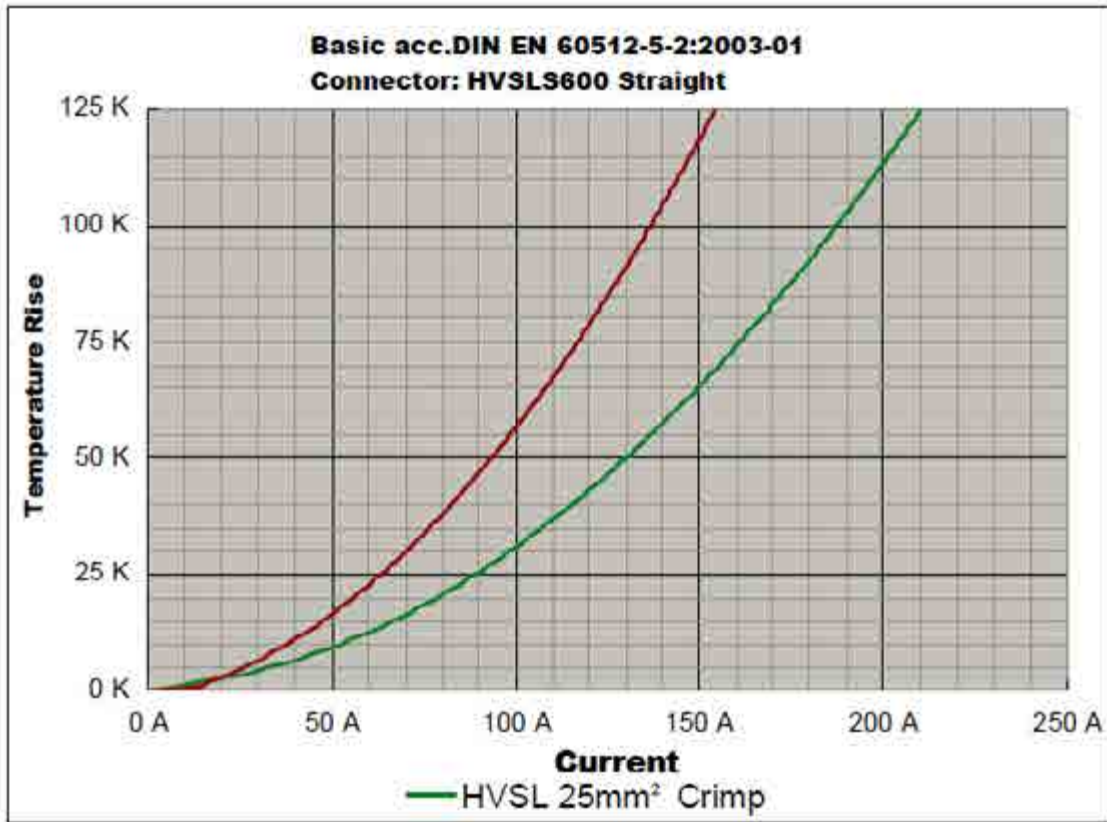
HOW TO ORDER: PLUG

	HVSLS600	06	2	A	0	16
Product type:	06: Straight plug 08: Right angle plug					
Position:	2: 2 position 3: 3 position					
Coding / Alternate position:	A: Coding A B: Coding B					
Interlock:	0: Without interlock 1: With interlock					
Cable size:	16: 16mm ² cable 25: 25mm ² cable					

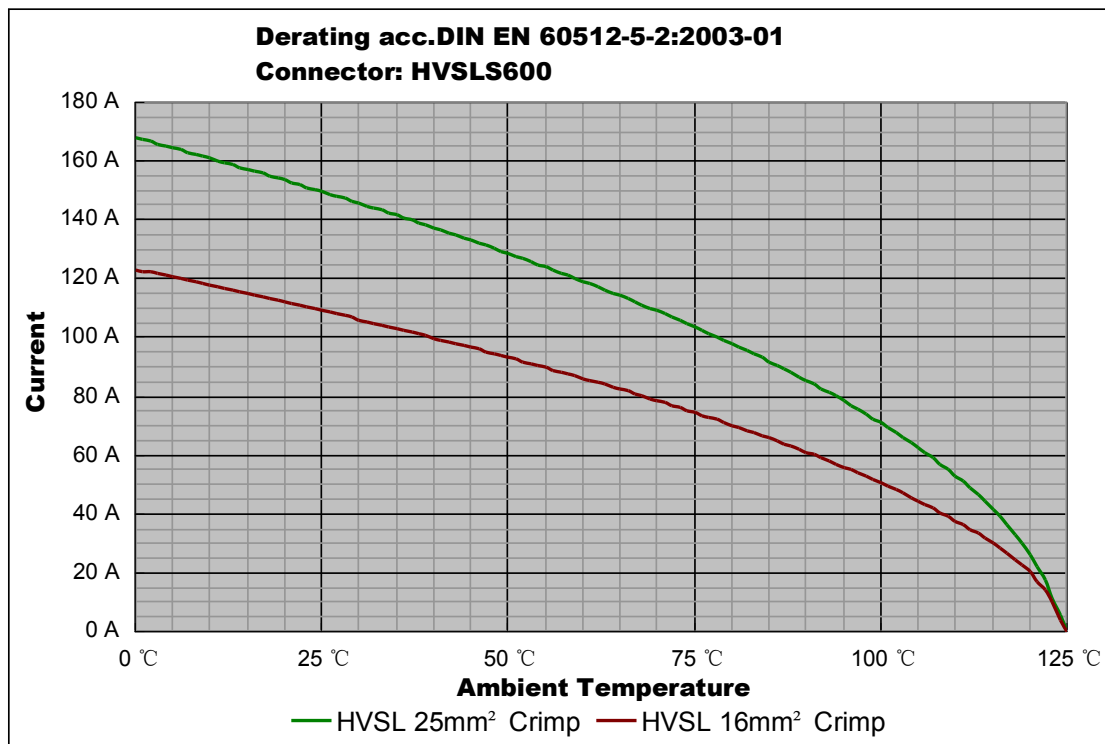
HOW TO ORDER: RECEPTACLE

	HVSLS600	02	2	A	0	H6
Product type:	02: Box mounted receptacle					
Position:	2: 2 position 3: 3 position					
Coding / Alternate position:	A: Coding A B: Coding B					
Interlock:	0: Without interlock 1: With interlock					
Cable size:	H6: OT terminal					

HVSL 600 | Temperature Rise



HVSL 600 | Derating Curve



Remark: tests carried out on the complete connector.

Excel|Mate Metal (HVSL S 800)

Excel|Mate Metal (HVSL S800)



Excel|Mate Metal

Excel|Mate Metal is a 2 pin connector with a current carrying capacity of 180A and 35 to 50mm² crimping cable.

Specially designed for battery, inverters, junction boxes, power distribution boxes and others xEV devices' equipment.

KEY FEATURES

- Integrated internal HVIL
- Current rating up to 180A
- No tool required to unmate
- Sealing, IP67 (mated), IP6K9K
- Touch-proof, IP2XB
- Multiple coding positions
- CPA available

MECHANICAL

Durability	≥ 50 mating cycles
Wire range	35 to 50 mm ² shielded wire
Insertion and extraction force	< 100N
Connection type	Copper bar
HVIL	Integrated
CPA	Available

ELECTRICAL

Rated voltage	1000V DC
Rated current	180A Max @ ambient temperature 70°C
Insulator resistance	> 200MΩ
Dielectric withstand voltage	3000V AC
Shielding	360° from wire to device

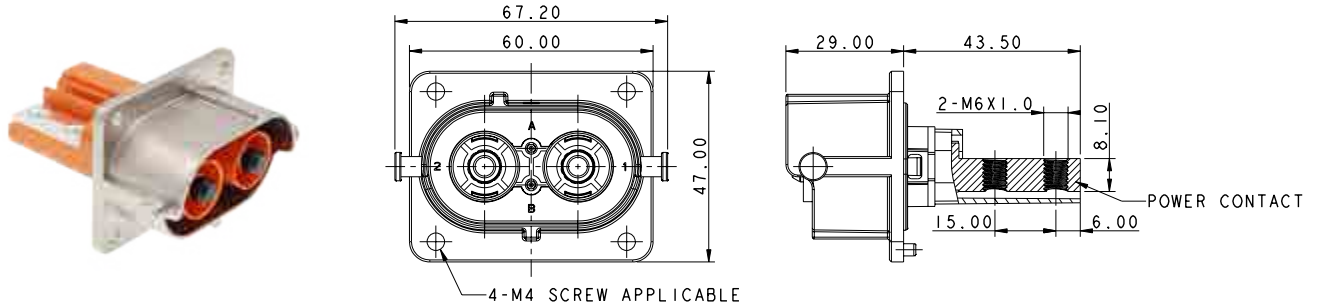
ENVIRONMENTAL

Sealing	IP67, IP6K9K (mated)
Touch-proof	IP2XB
Temperature range	-40°C to 125°C
Salt spray	96 hours

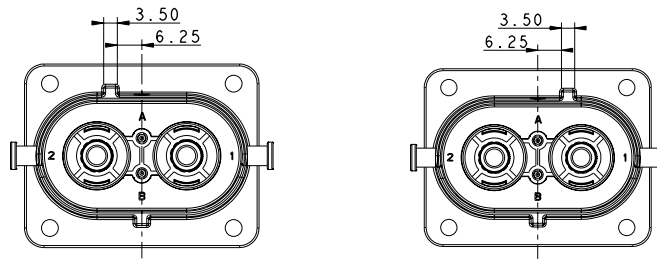
MATERIAL

Terminals	Copper/copper alloy with silver plating
Housing	Zinc alloy

RECEPTACLE

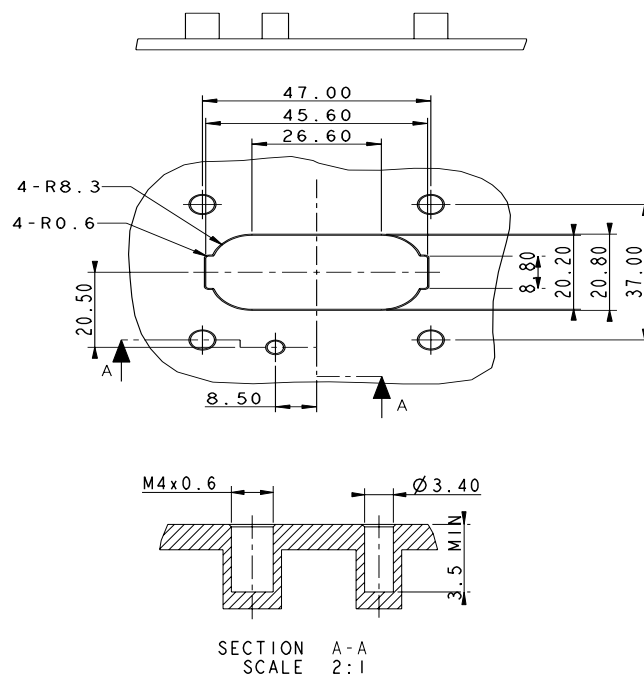


INSERT ORIENTATIONS



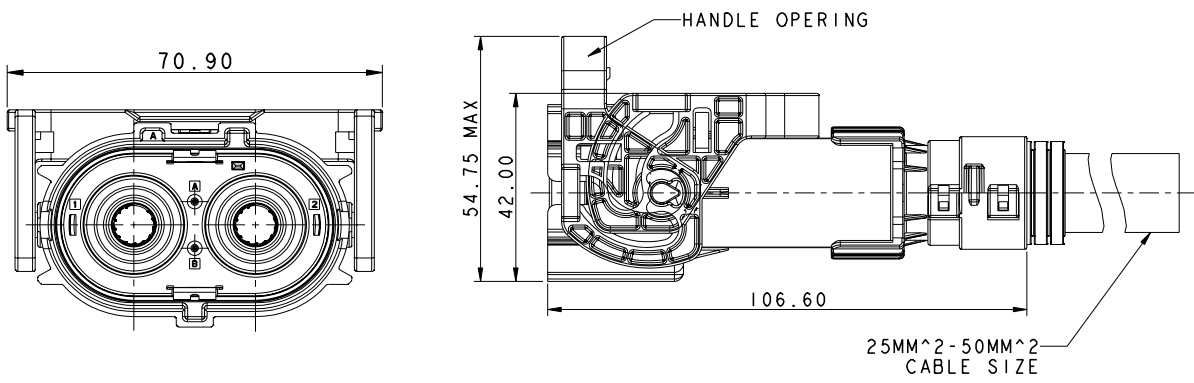
	Coding A	Coding B
P/N	HVSL800 02 2 A	HVSL800 02 2 B

PANEL MOUNTED DIMENSIONS

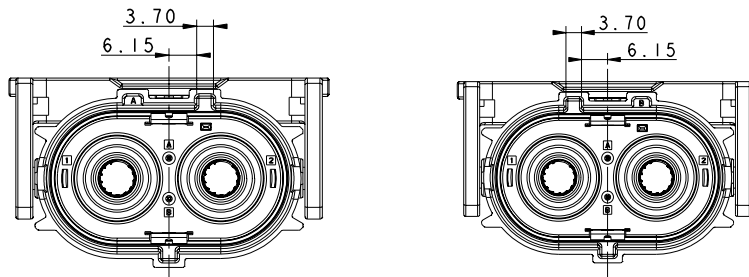


Excel|Mate Metal (HVSL S 800)

STRAIGHT PLUG

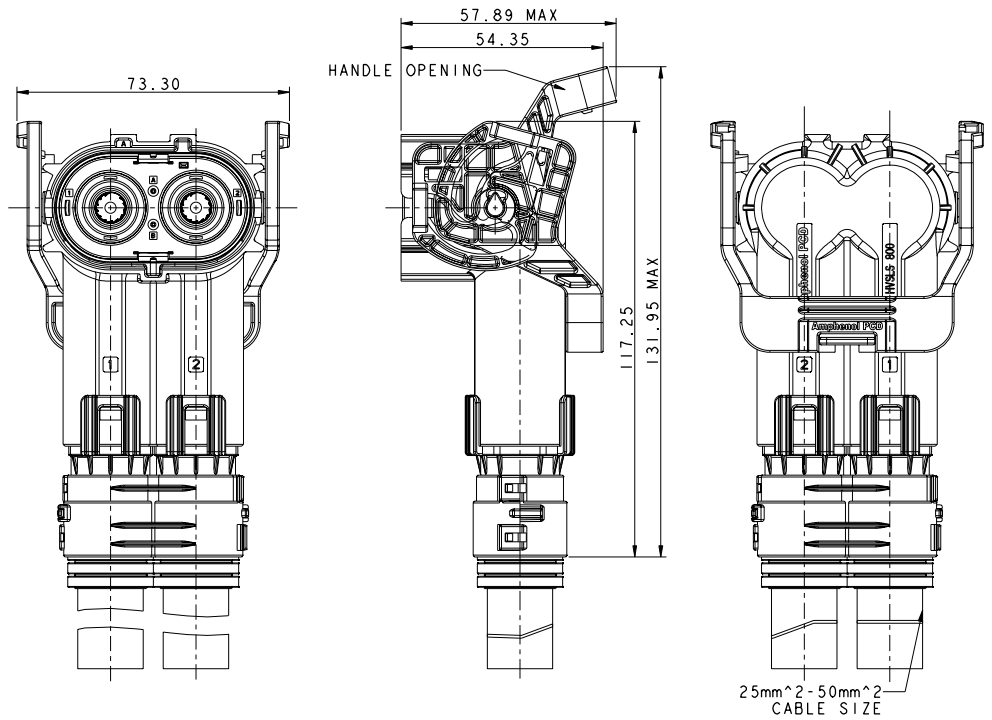


INSERT ORIENTATIONS

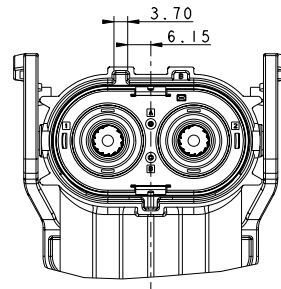
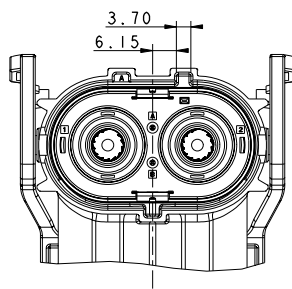


	Coding A	Coding B
P/N	HVSL S800 06 2 A	HVSL S800 06 2 B

RIGHT ANGLE PLUG



INSERT ORIENTATIONS

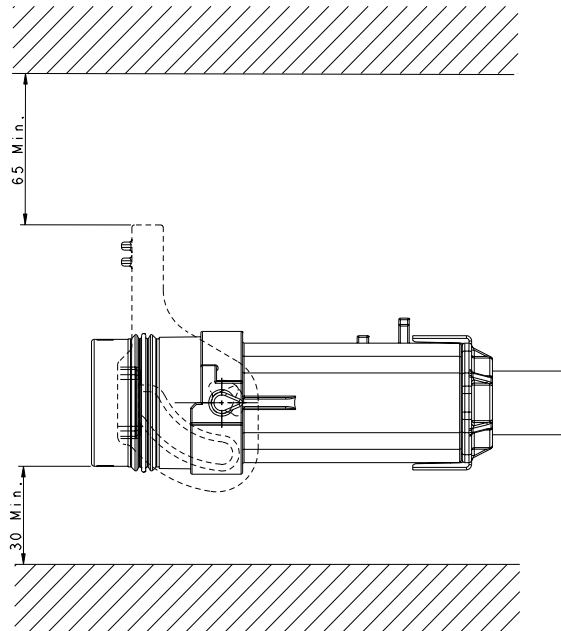


P/N

Coding A
HVSL800 08 2 A

Coding B
HVSL800 08 2 B

INSTALLATION CLEARANCE



HOW TO ORDER: PLUG

	HVLSLS800	06	2	A	0	35
Product type:	06: Straight plug 08: Right angle plug					
Position:	2: 2 position					
Coding / Alternate position:	A: Coding A B: Coding B					
Interlock:	0: Without interlock 1: With interlock					
Cable size:	35: 35mm ² cable 50: 50mm ² cable					

HOW TO ORDER: RECEPTACLE

	HVLSLS800	02	2	A	0	H6
Product type:	02: Box mounted receptacle					
Position:	2: 2 position					
Coding / Alternate position:	A: Coding A B: Coding B					
Interlock:	0: Without interlock 1: With interlock					
Cable size:	H6: OT terminal					

Excel|Mate Eco (HVSL600 1 POSITION CONNECTOR)



HVSL600

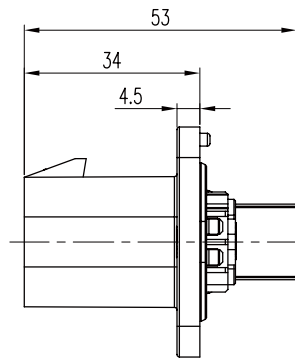
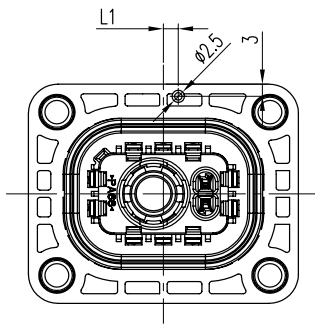
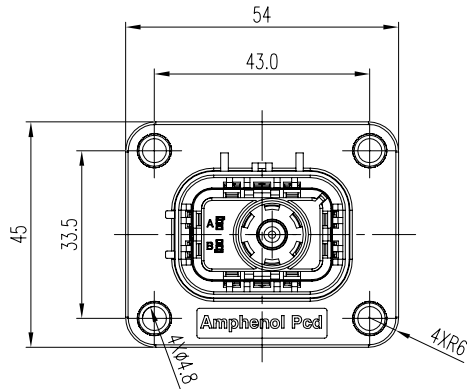
HVSL600 is a single pin connector with a current carrying capacity of 120A and 25mm² crimping cable. It can be utilized with multi-core or individually shielded wire. An integrated internal HVIL with multiple routing options allows package size optimization and flexibility.

KEY FEATURES

- Integrated internal HVIL
- Current rating up to 120A
- Two-stage, tool or thumb activated latching
- No tool required to unmate
- Sealing, IP67 (mated), IP6K9K
- Touch-proof, IP2XB
- Multiple coding positions
- CPA available

MECHANICAL	
Durability	≥ 50 mating cycles
Wire range	25mm ² shielded wire
Insertion and extraction force	< 100N
Connection type	Crimping or bus-bar
Latching style	Two stage, finger actuated
HVIL	Integrated
CPA	Available
ELECTRICAL	
Rated voltage	800V DC
Rated current	120A @ ambient temperature 70°C
Insulator resistance	> 200MΩ
Dielectric withstand voltage	3000V AC
Shielding	360° from wire to device
ENVIRONMENTAL	
Sealing	IP67, IP6K9K (mated)
Touch-proof	IP2XB
Temperature range	-40°C to 125°C
MATERIAL	
Terminals	Copper/copper alloy with silver plating
Housing	PA66 + GF

RECEPTACLE



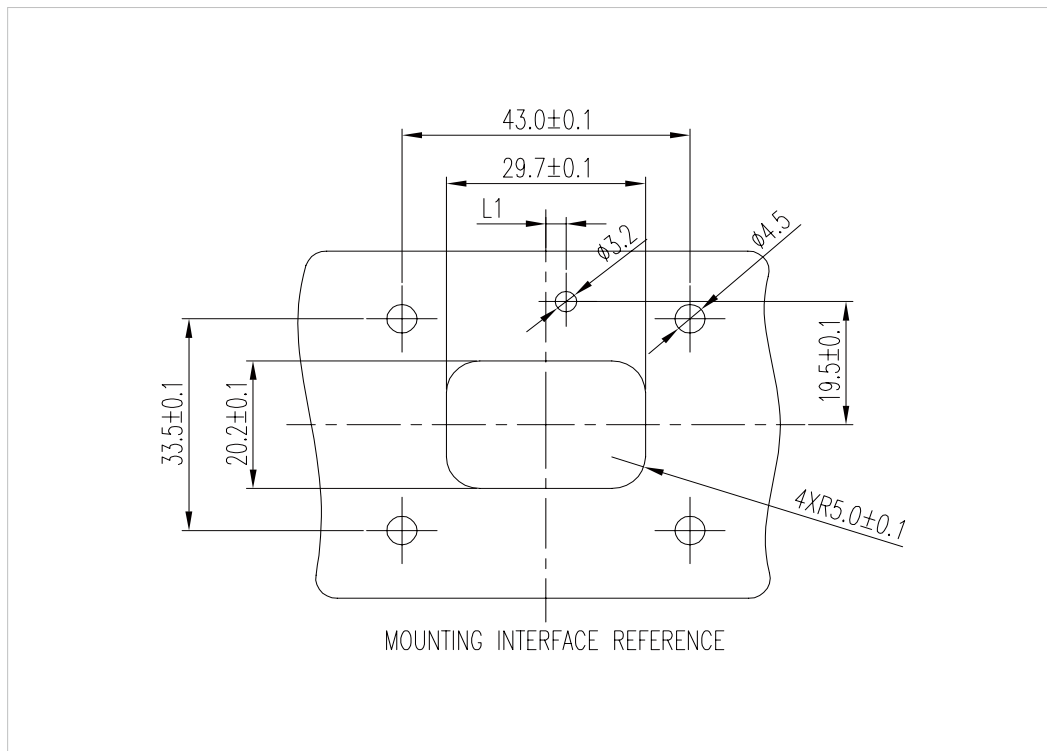
CONTACTS

All connectors do not include contacts. Please order them separately (ref: P/N below)

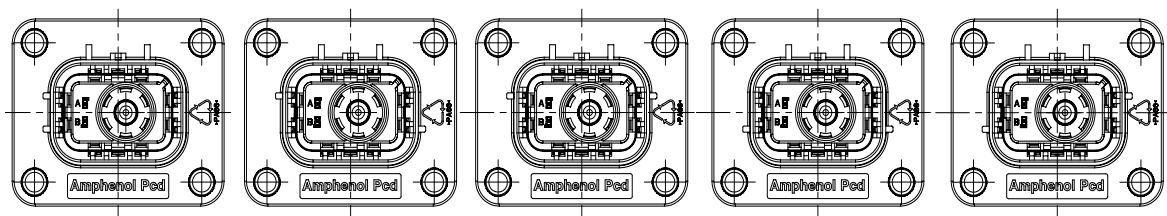
For HVSL600021XX25	For HVSL600021XXH6	For HVSL600021XX25
Pin contact: crimp for wire	Pin contact: end with bus-bar	Pin signal contact (HVIL)
P/N: C420003621	P/N: C420003625	P/N: C310003613
25mm ² unshielded wire	—	0.5mm ² unshielded wire

PANEL MOUNTING DIMENSIONS

CODING	A	B	C	D	E
L1 (Receptacle)	0	3	6	-3	-6
L1 (Panel mount)	0	-3	-6	3	6

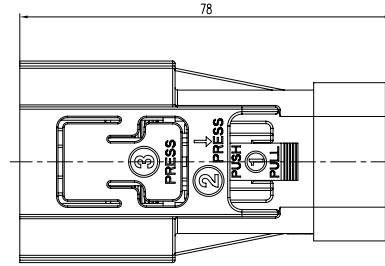
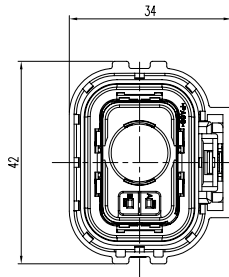


INSERT ORIENTATIONS



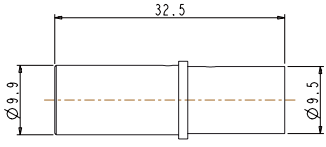
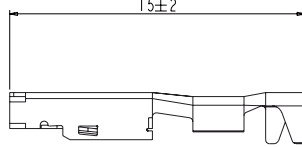
	Coding A	Coding B	Coding C	Coding D	Coding E
P/N	HVSL600 02 1 A	HVSL600 02 1 B	HVSL600 02 1 C	HVSL600 02 1 D	HVSL600 02 1 E

PLUG



CONTACTS

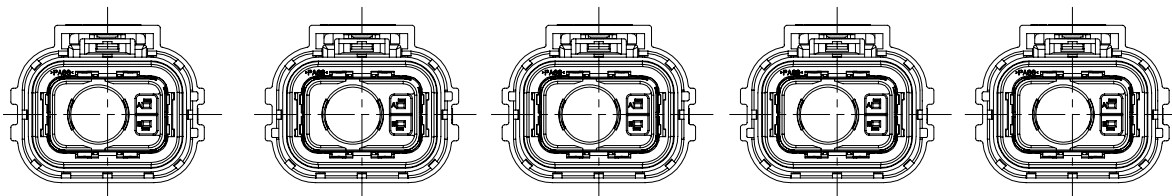
All connectors do not include contacts. Please order them separately (ref: P/N below)

For HVSL600061XX25XX	For HVSL600061XX25XX
Socket contact	Socket signal contact (HVIL)
P/N: C420003620	P/N: C310003614
	
25mm ² shielded wire	0.5mm ² unshielded wire

Sealing gasket for HVSL600061XX25XX:

12	11	10
P/N: C270003607	P/N: C2700036071	P/N: C2700036072
12 ± 0.2 mm (Wire OD)	11 ± 0.2 mm (Wire OD)	10 ± 0.2 mm (Wire OD)

INSERT ORIENTATIONS



	Coding A	Coding B	Coding C	Coding D	Coding E
P/N	HVSL600 06 1 A	HVSL600 06 1 B	HVSL600 06 1 C	HVSL600 06 1 D	HVSL600 06 1 E

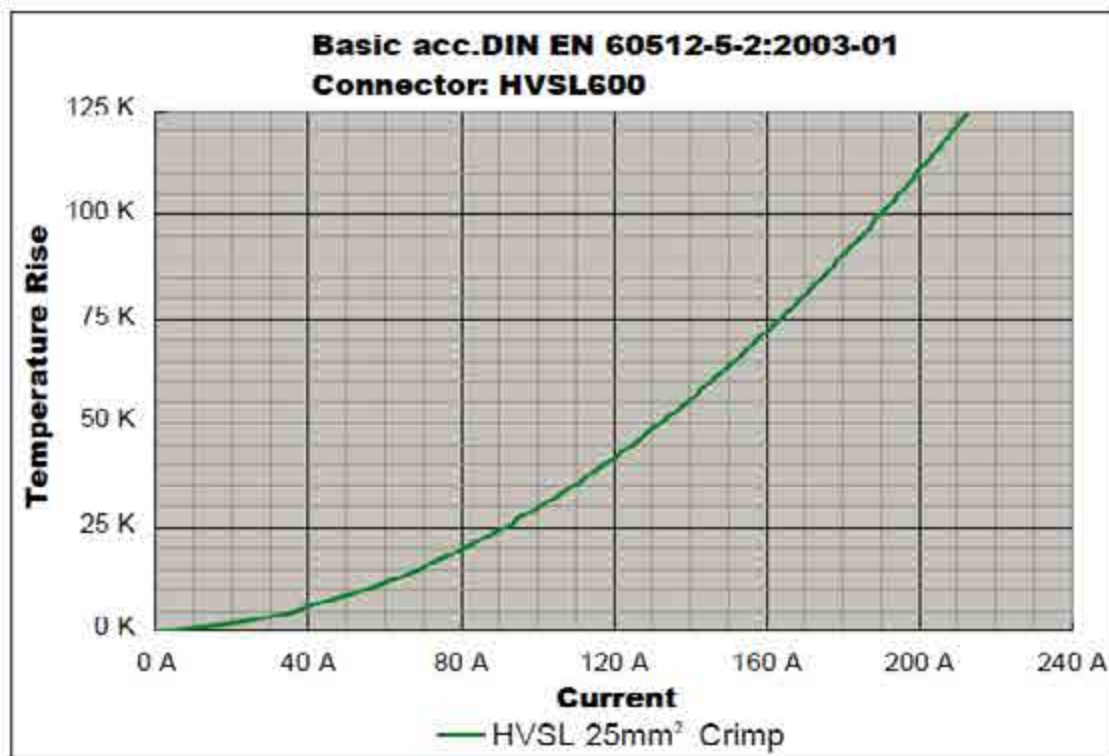
HOW TO ORDER: PLUG

	HVSL600	06	1	A	0	25	10
Product type:	06: Straight plug						
Position:	1: 1 position						
Coding / Alternate position:	A: Coding A B: Coding B C: Coding C D: Coding D E: Coding E						
Interlock:	0: Without interlock 1: With interlock						
Cable size:	25: 25mm ²						
Sealing gasket:	10: 10mm (Wire OD) 11: 11mm (Wire OD) 12: 12mm (Wire OD)						

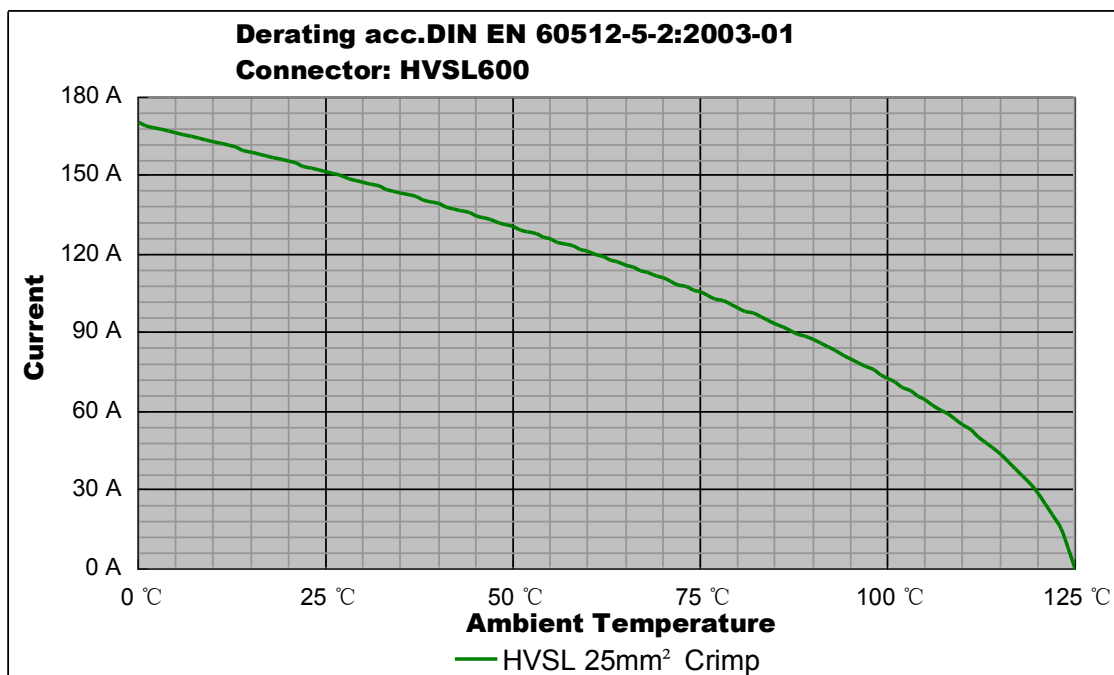
HOW TO ORDER: RECEPTACLE

	HVSL600	02	1	A	25
Product type:	02: Box mounted receptacle				
Position:	1: 1 position				
Coding / Alternate position:	A: Coding A B: Coding B C: Coding C D: Coding D E: Coding E				
Cable size:	25: 25mm ² H6: OT terminal				

HVSL 600 | Temperature Rise



HVSL 600 | Derating Curve



Remark: tests carried out on the complete connector.

Excel|Mate Eco (HVSL630 2 POSITION CONNECTOR)



HVSL630

HVSL630 is a 2 position connector with a current carrying capacity from 23 to 40A and 4 to 6mm² crimping cable.

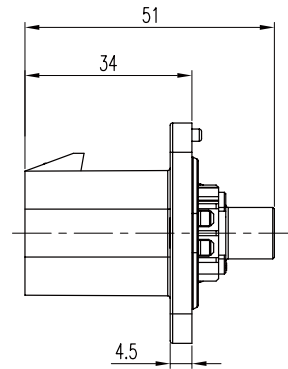
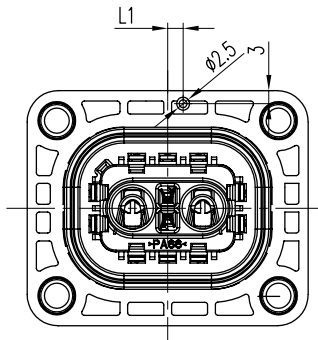
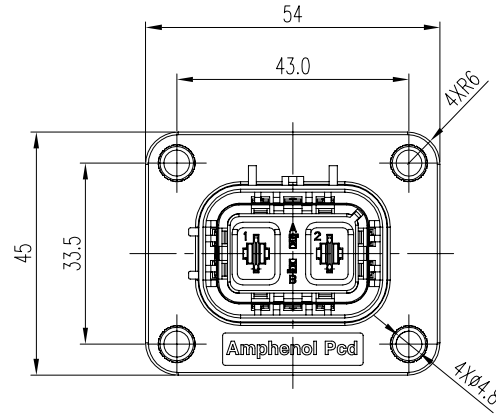
Specially designed for DC-DC, air-conditioner, and others xEV devices' equipment.

KEY FEATURES

- Integrated internal HVIL
- Current rating up to 40A
- Two-stage, tool or thumb activated latching
- No tool required to unmate
- Sealing, IP67 (mated), IP6K9K
- Touch-proof, IP2XB
- Multiple coding positions
- CPA available

MECHANICAL	
Durability	≥ 50 mating cycles
Wire range	4 to 6 mm ² shielded wire
Insertion and extraction force	< 100N
Connection type	Crimping
Latching style	Two stage, finger actuated
HVIL	Integrated
CPA	Available
ELECTRICAL	
Rated voltage	800V DC
Rated current	40A Max @ ambient temperature 70°C
Insulator resistance	> 200MΩ
Dielectric withstand voltage	3000V AC
Shielding	360° from wire to device
ENVIRONMENTAL	
Sealing	IP67, IP6K9K (mated)
Touch-proof	IP2XB
Temperature range	-40°C to 125°C
MATERIAL	
Terminals	Copper/copper alloy with tin plating
Housing	PA66 + GF

RECEPTACLE

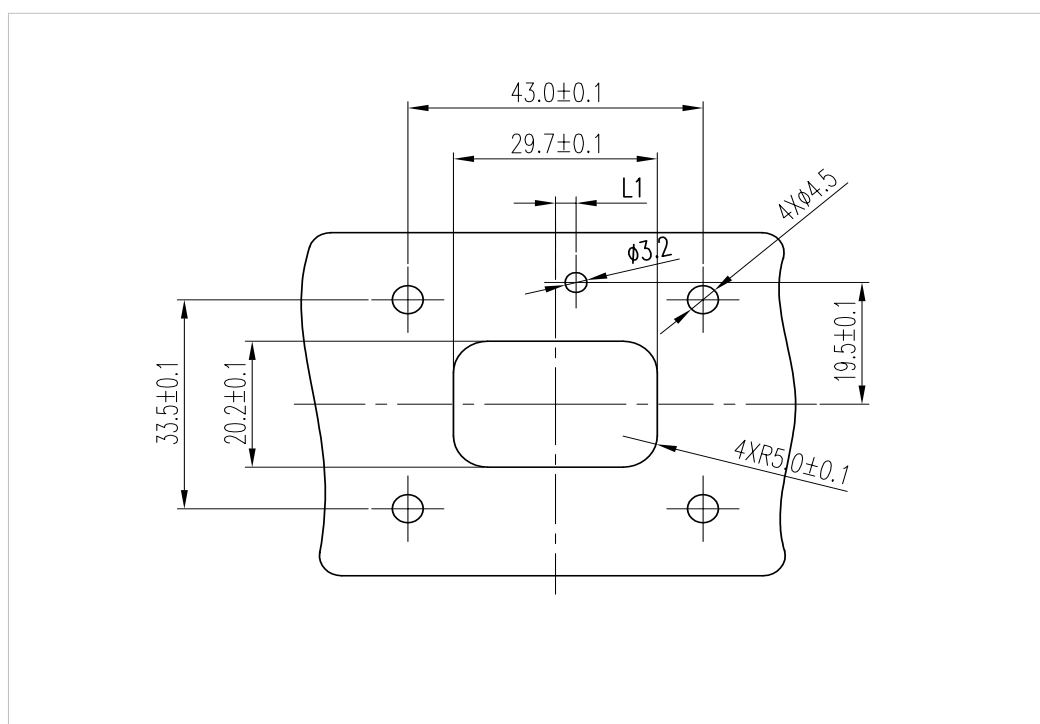


CONTACTS

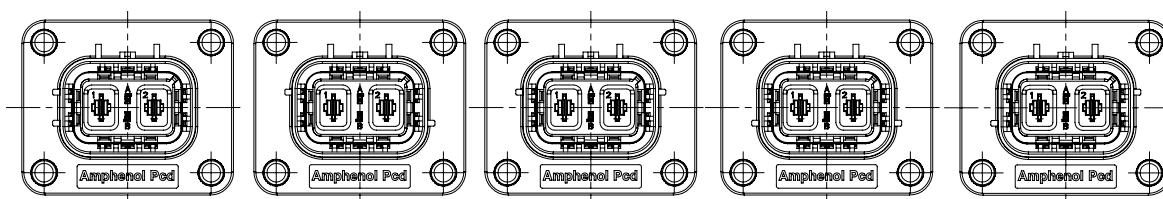
All connectors do not include contacts. Please order them separately (ref: P/N below)	
For HVSL630022XX06	For HVSL630022XX06
Pin contact: crimping	Pin signal contact (HVIL)
P/N: C310003622	P/N: C310003613
4 to 6mm ² unshielded wire	0.5mm ² unshielded wire

PANEL MOUNTING DIMENSIONS

CODING	A	B	C	D	E
L1 (Receptacle)	0	3	6	-3	-6
L1 (Panel mount)	0	-3	-6	3	6



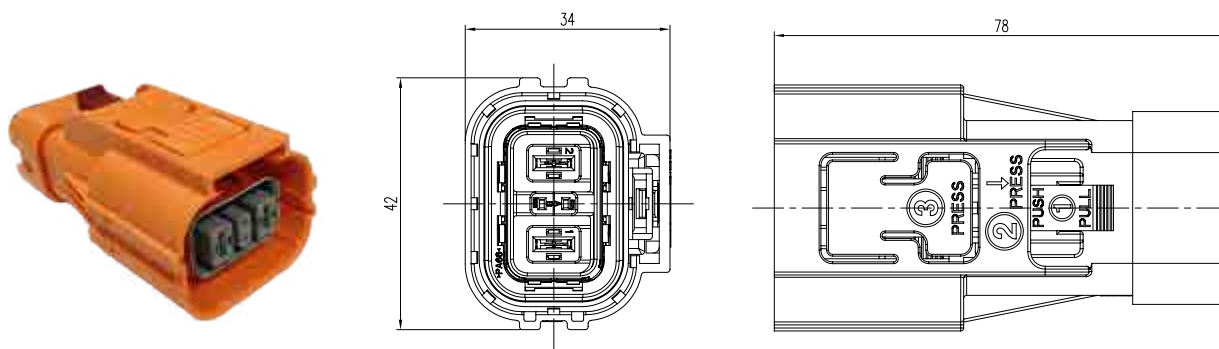
INSERT ORIENTATIONS



	Coding A	Coding B	Coding C	Coding D	Coding E
P/N	HVSL630 02 2 A	HVSL630 02 2 B	HVSL630 02 2 C	HVSL630 02 2 D	HVSL630 02 2 E

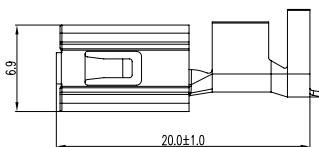
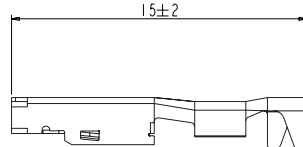
Excel|Mate Eco (HVSL 630)

PLUG



CONTACTS

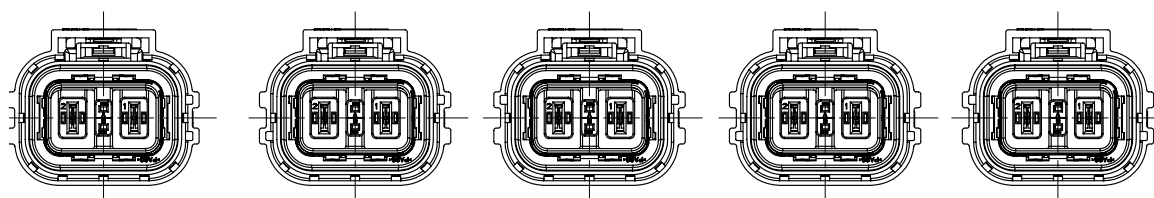
All connectors do not include contacts. Please order them separately (ref: P/N below)

For HVSL630062XX06XX	For HVSL630062XX06XX
Socket contact	Socket signal contact (HVIL)
P/N: C310003623	P/N: C310003614
	
4 to 6mm ² shielded wire	0.5mm ² unshielded wire

Sealing gasket for HVSL630062XX06XX:

12	11	10
P/N: C270003607	P/N: C2700036071	P/N: C2700036072
12 ± 0.2 mm (Wire OD)	11 ± 0.2 mm (Wire OD)	10 ± 0.2 mm (Wire OD)

INSERT ORIENTATIONS



	Coding A	Coding B	Coding C	Coding D	Coding E
P/N	HVSL630 06 2 A	HVSL630 06 2 B	HVSL630 06 2 C	HVSL630 06 2 D	HVSL630 06 2 E

HOW TO ORDER: PLUG

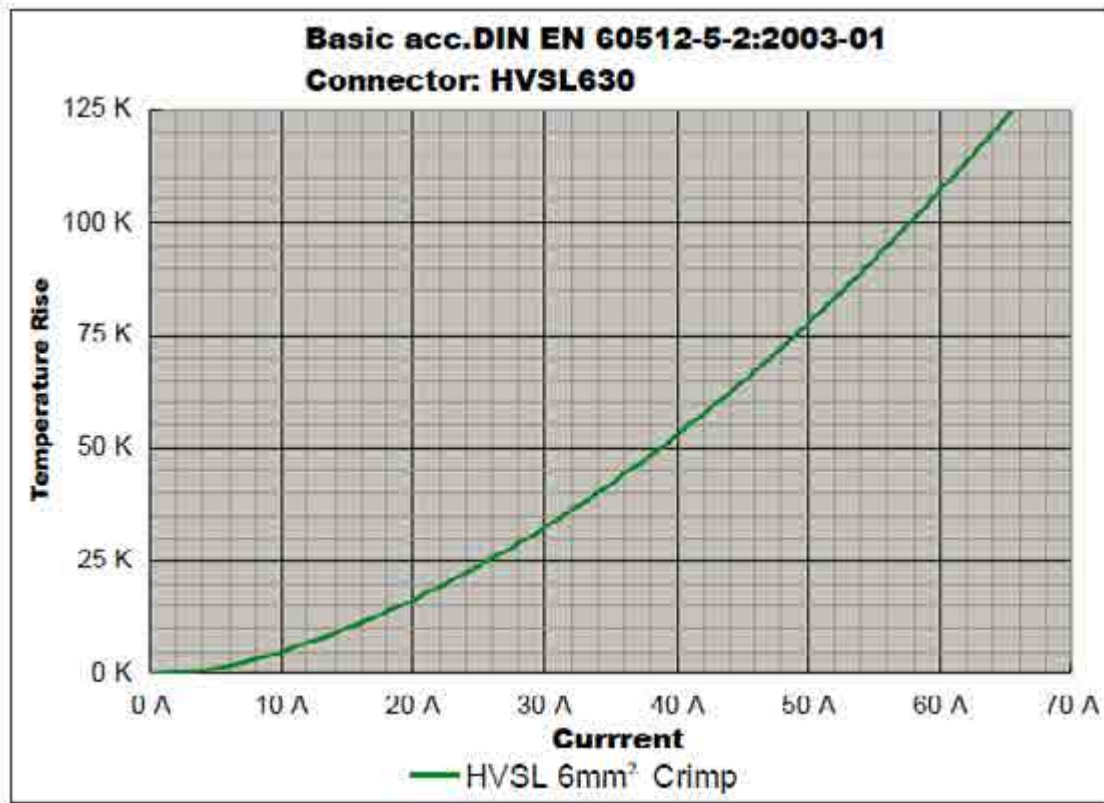
	HVSL630	06	2	A	0	04	10
Product type:	06: Straight plug						
Position:	2: 2 positions						
Coding / Alternate position:	A: Coding A B: Coding B C: Coding C D: Coding D E: Coding E						
Interlock:	0: Without interlock 1: With interlock						
Cable size:	04: 4mm ² 06: 6mm ² 25: 25mm ²						
Sealing gasket:	10: 10mm (Wire OD) 11: 11mm (Wire OD) 12: 12mm (Wire OD)						

HOW TO ORDER: RECEPTACLE

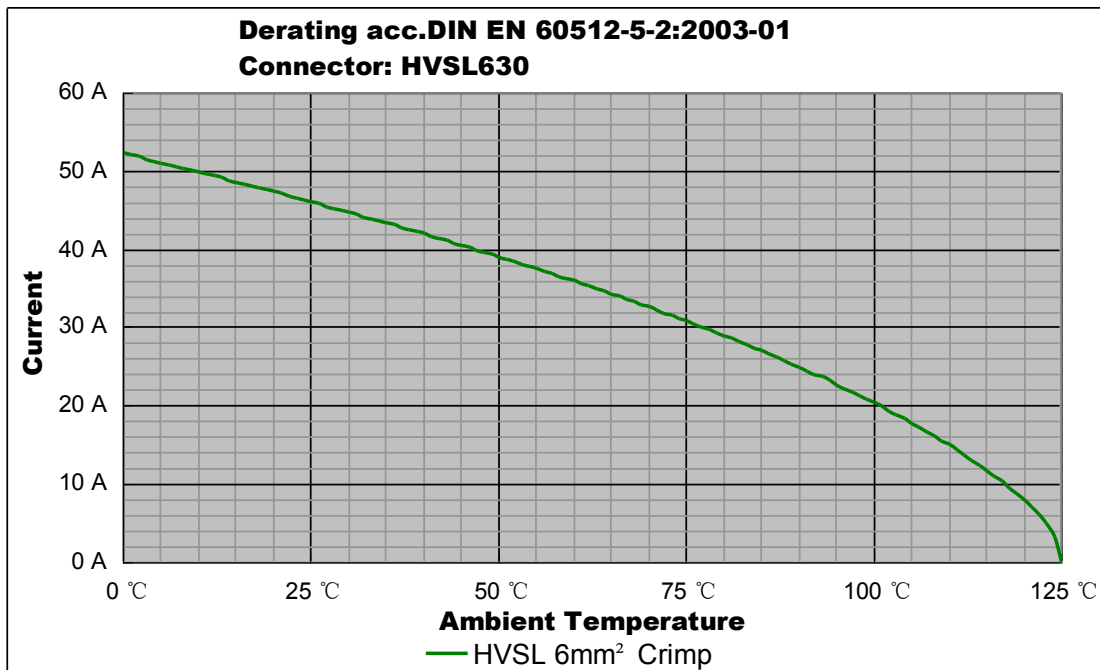
	HVSL630	02	2	A	04
Product type:	02: Box mounted receptacle				
Position:	2: 2 positions				
Coding / Alternate position:	A: Coding A B: Coding B C: Coding C D: Coding D E: Coding E				
Cable size:	04: 4mm ² 06: 6mm ²				

CHARTS (HVSL 630)

HVSL 630 | Temperature Rise



HVSL 630 | Derating Curve



Remark: tests carried out on the complete connector.

Excel|Mate (HVSL633 3 pin connector)



HVSL633

HVSL633 is a 3 position connector with a current carrying capacity from 23 to 40A and 2.5 to 6mm² crimping cable.

Specially designed for DC-DC, air-conditioner, and others xEV devices' equipment.

KEY FEATURES

Integrated internal HVIL

Current rating up to 40A

Two-stage, tool or thumb activated latching

No tool required to unmate

Sealing, IP67 (mated), IP6K9K

Touch-proof, IP2XB

Multiple coding positions

CPA available

MECHANICAL

Durability	≥ 50 mating cycles
Wire range	2.5 to 6 mm ² shielded wire (2.5mm ² only for plug)
Insertion and extraction force	< 100N
Connection type	Crimping
Latching style	Two stage, finger actuated
HVIL	Integrated
CPA	Available

ELECTRICAL

Rated voltage	800V DC
Rated current	40A Max @ ambient temperature 70°C
Insulator resistance	> 200MΩ
Dielectric withstand voltage	3000V AC
Shielding	360° from wire to device

ENVIRONMENTAL

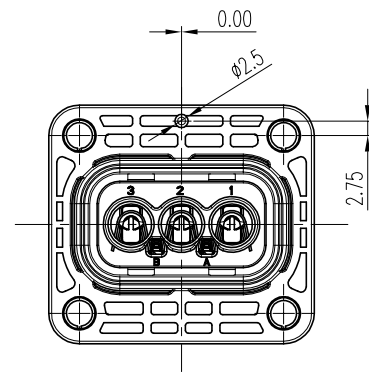
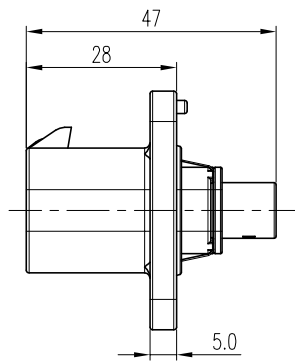
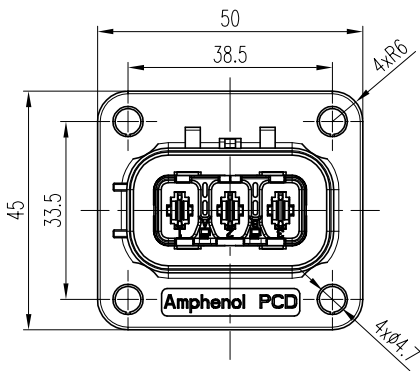
Sealing	IP67, IP6K9K (mated)
Touch-proof	IP2XB
Temperature range	-40°C to 125°C

MATERIAL

Terminals	Copper/copper alloy with tin plating
Housing	PA66 + GF

Excel|Mate Eco (HVSL 633)

RECEPTACLE HVSL633

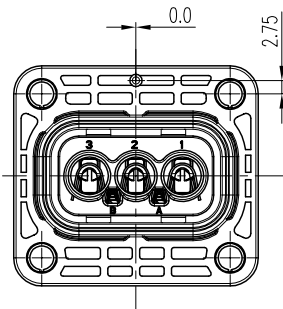
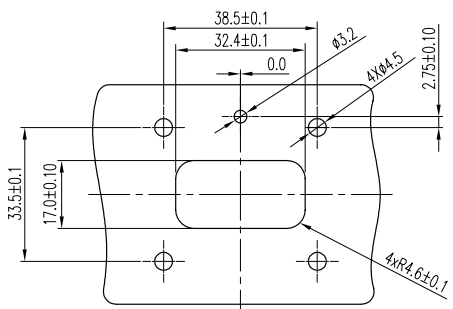
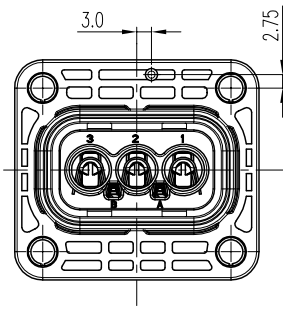
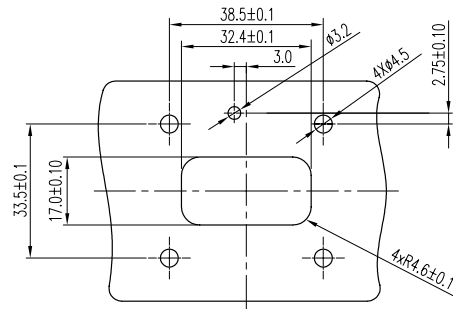
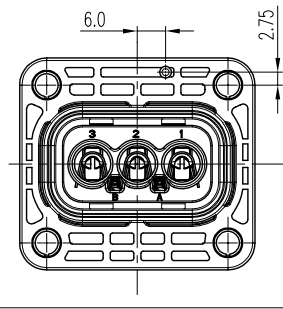
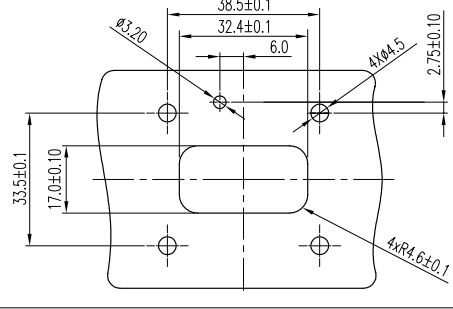
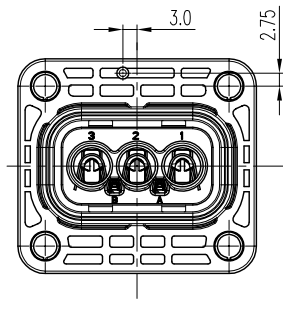
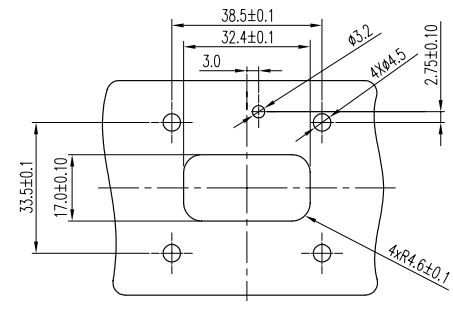
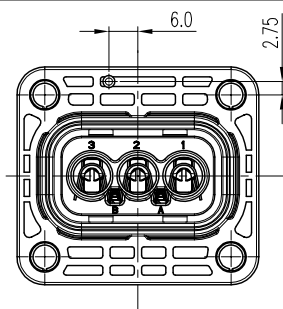
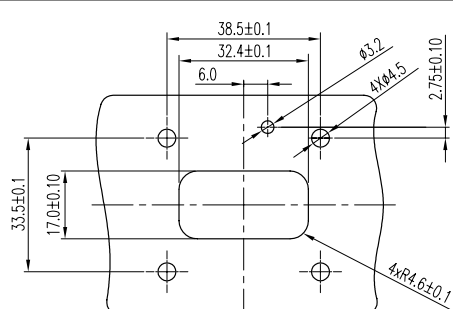


CONTACTS

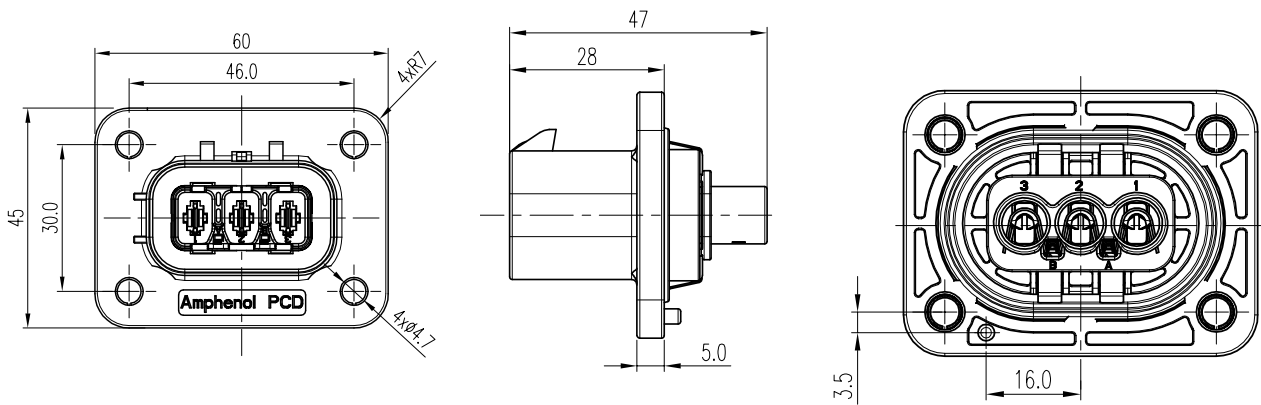
All connectors do not include contacts. Please order them separately (ref: P/N below)

Pin contact: crimping	Socket signal contact (HVIL)
P/N: C310003622	P/N: C310003614
4 to 6mm ² unshielded wire	0.5mm ² unshielded wire

PANEL MOUNTING DIMENSION

PART NUMBER	INSERT ORIENTATION	PANEL MOUNTED DIMENSION
HVSL633 023 A		
HVSL633 023 B		
HVSL633 023 C		
HVSL633 023 D		
HVSL633 023 E		

RECEPTACLE HVSLC633



CONTACTS

All connectors do not include contacts. Please order them separately (ref: P/N below)

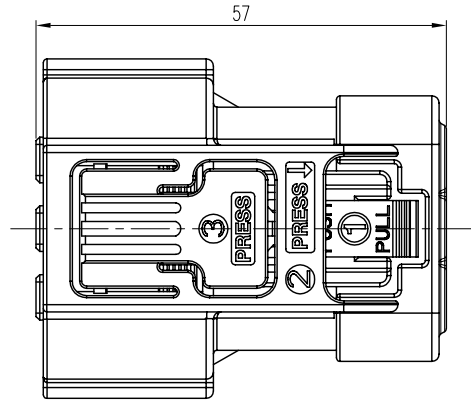
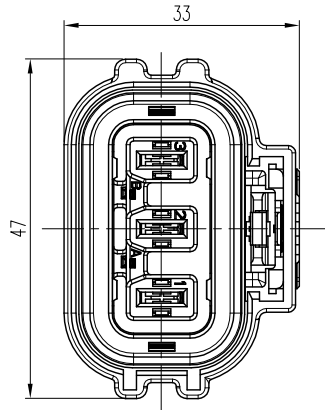
Pin contact: crimping	Socket signal contact (HVIL)
P/N: C310003622	P/N: C310003614
4 to 6mm ² unshielded wire	0.5mm ² unshielded wire

PANEL MOUNTING DIMENSION

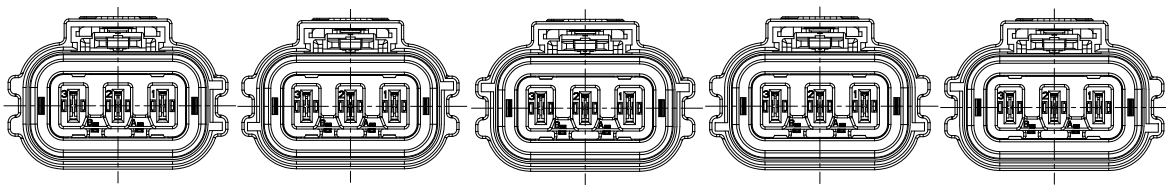
PART NUMBER	INSERT ORIENTATION	PANEL MOUNTED DIMENSION
HVSLC633 023 A		
HVSLC633 023 B		
HVSLC633 023 C		
HVSLC633 023 D		

Excel|Mate Eco (HVSL 633)

PLUG



INSERT ORIENTATIONS



	Coding A	Coding B	Coding C	Coding D	Coding E
P/N	HVSL633 06 3 A	HVSL633 06 3 B	HVSL633 06 3 C	HVSL633 06 3 D	HVSL633 06 3 E

CONTACTS

All connectors do not include contacts. Please order them separately (ref: P/N below)

Socket contact: crimping	Socket contact: crimping	HVIL contacts
P/N: C310023506	P/N: C310003623	Integrated, no need to buy.
2.5mm ² shielded wire	4 to 6mm ² shielded wire	

HOW TO ORDER: PLUG

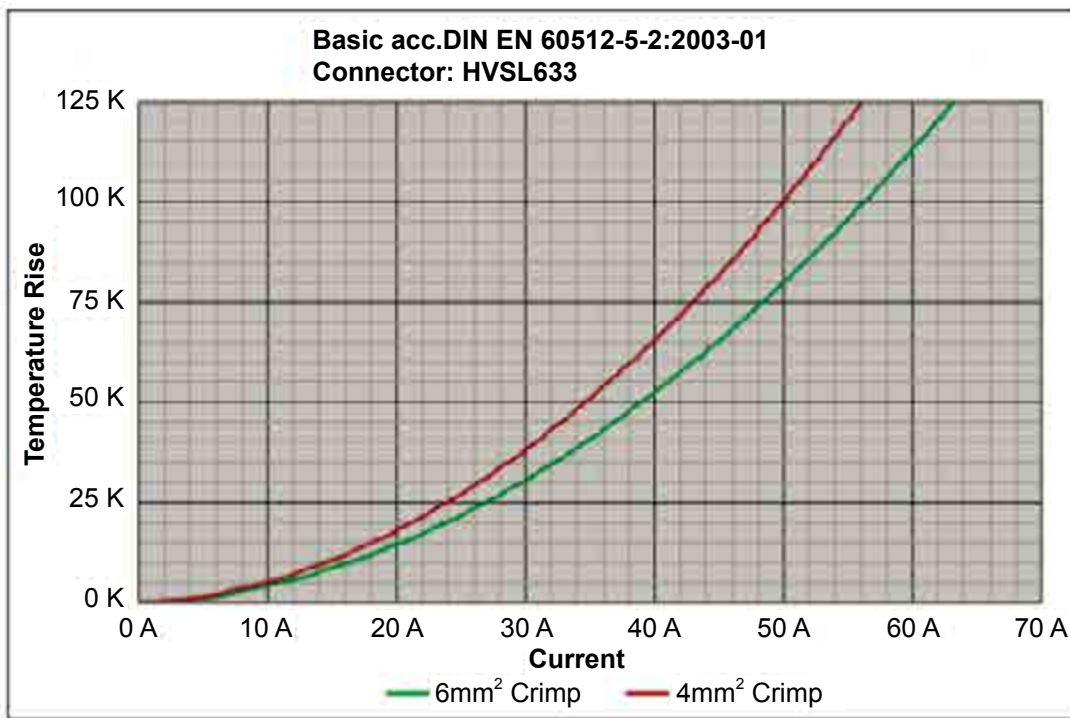
	HVSL633	06	3	A	0	04	I
Product type:	06: Straight plug						
Position:	3: 3 positions						
Coding / Alternate position:	A: Coding A B: Coding B C: Coding C D: Coding D E: Coding E						
Interlock:	0: Without interlock 1: With interlock						
Cable size:	03: 2.5mm ² 04: 4mm ² 06: 6mm ²						
Wire type:	I: Individually shielded wire						

HOW TO ORDER: RECEPTACLES

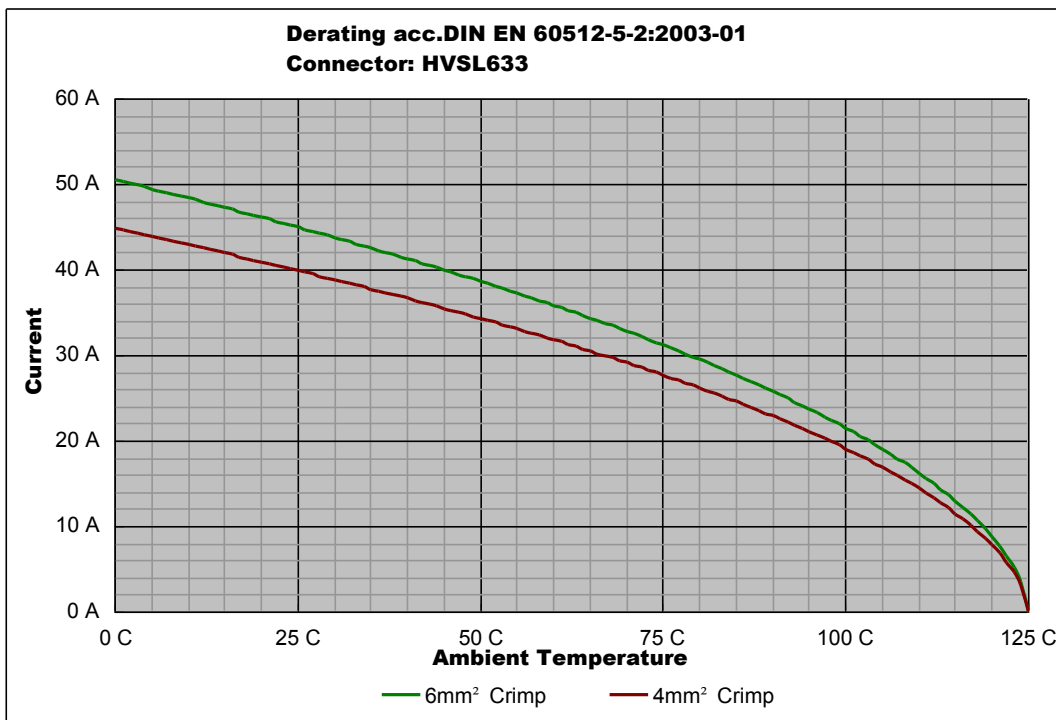
	HVSL633	02	3	A
Product type:	02: Box mounted receptacle			
Position:	3: 3 positions			
Coding / Alternate position:	A: Coding A B: Coding B C: Coding C D: Coding D E: Coding E			

	HVSLC633	02	3	A
Product type:	02: Box mounted receptacle			
Position:	3: 3 positions			
Coding / Alternate position:	A: Coding A B: Coding B C: Coding C D: Coding D			

HVSL 633 | Temperature Rise



HVSL 633 | Derating Curve



Remark: tests carried out on the complete connector.

Excel|Mate Eco (HVSL280 3 POSITION CONNECTOR)



HVSL280

HVSL280 is a 3 position connector with plastic housing, high voltage, integrated HVIL. It provides a current carrying capacity from 16 to 23A and 2.5 to 4mm² crimping cable.

Specially designed for DC-DC, air-conditioner, and other equipment in xEV device applications.

KEY FEATURES

Integrated internal HVIL

Current rating up to 23A

Two-stage, tool or thumb activated latching

No tool required to unmate

Sealing, IP67 (mated), IP6K9K

Touch-proof, IP2XB

Multiple coding positions

CPA available

MECHANICAL

Durability	≥ 50 mating cycles
Wire range	2.5 to 4 mm ² shielded wire
Insertion and extraction force	< 100N
Connection type	Crimping
Latching style	Two stage, finger actuated
HVIL	Integrated
CPA	Available

ELECTRICAL

Rated voltage	800V DC
Rated current	23A Max @ ambient temperature 70°C
Insulator resistance	> 200MΩ
Dielectric withstand voltage	3000V AC
Shielding	360° from wire to device

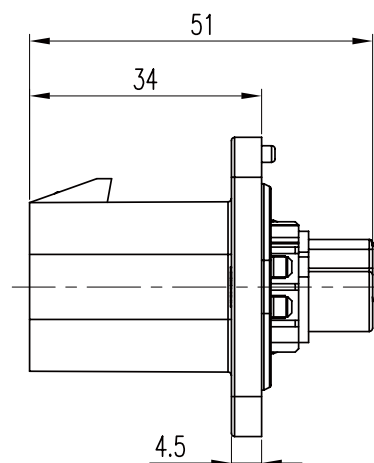
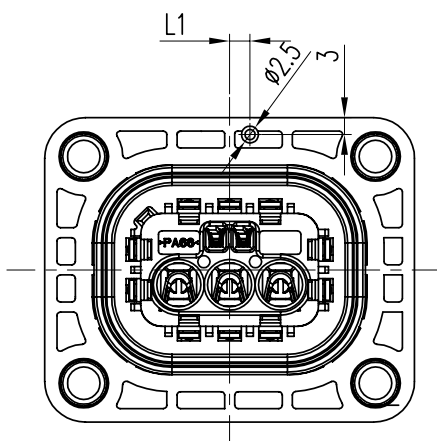
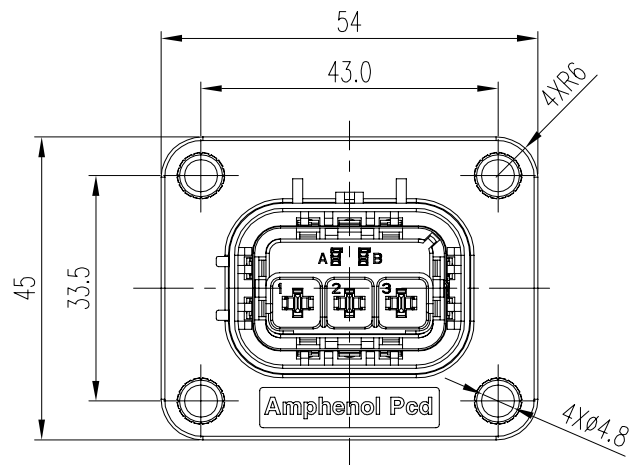
ENVIRONMENTAL

Sealing	IP67, IP6K9K (mated)
Touch-proof	IP2XB
Temperature range	-40°C to 125°C

MATERIAL

Terminals	Copper/copper alloy with tin plating
Housing	PA66 + GF

RECEPTACLE



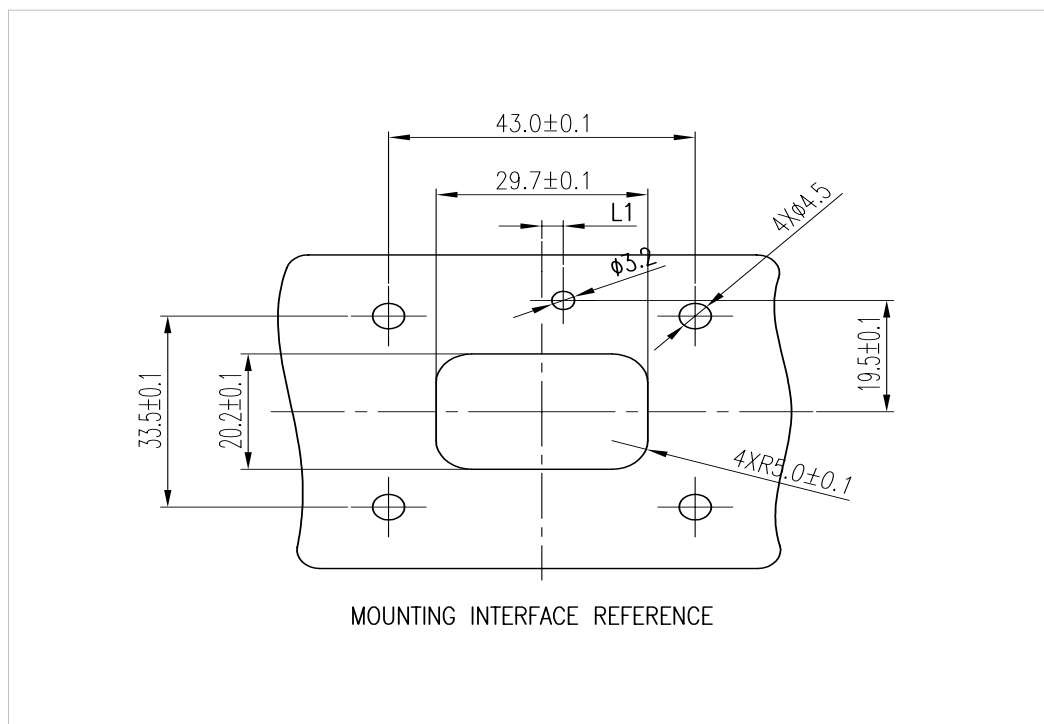
CONTACTS

All connectors do not include contacts. Please order them separately (ref: P/N below)

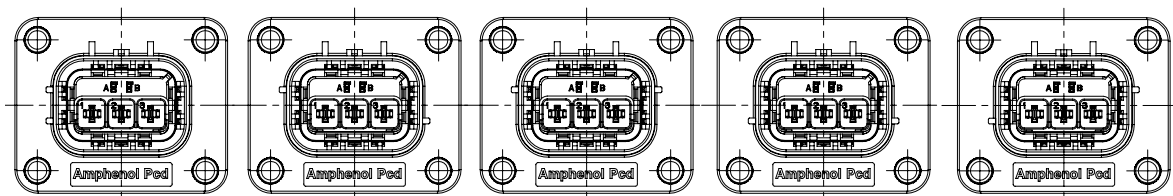
For HVSL280023XX04	For HVSL280023XX04
Pin contact: crimping	Pin signal contact (HVIL)
P/N: C310003611	P/N: C310003613
2.5 to 4mm ² unshielded wire	0.5mm ² unshielded wire

PANEL MOUNTING DIMENSIONS

CODING	A	B	C	D	E
L1 (Receptacle)	0	3	6	-3	-6
L1 (Panel mount)	0	-3	-6	3	6



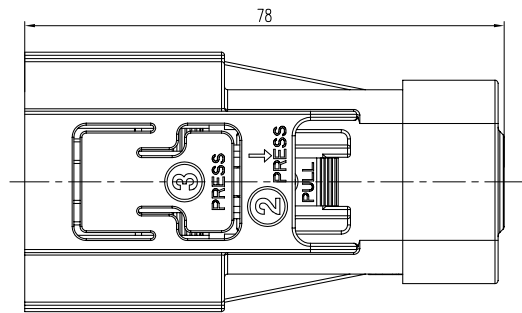
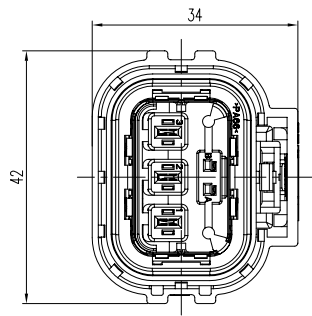
INSERT ORIENTATIONS



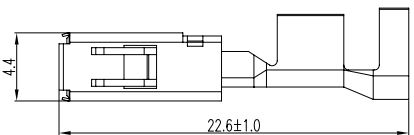
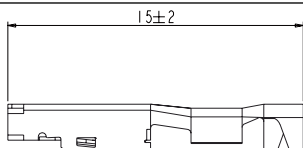
	Coding A	Coding B	Coding C	Coding D	Coding E
P/N	HVSL280 02 3 A	HVSL280 02 3 B	HVSL280 02 3 C	HVSL280 02 3 D	HVSL280 02 3 E

Excel|Mate Eco (HVSL 280)

PLUG



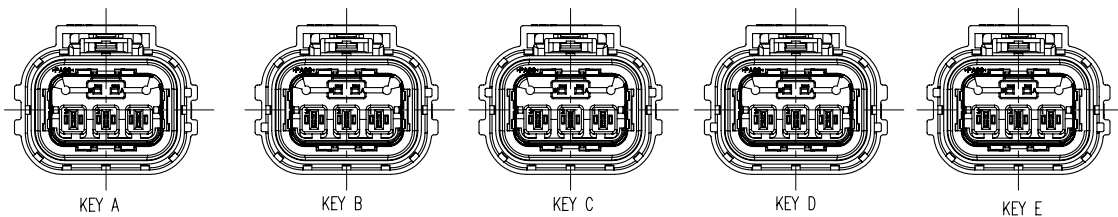
CONTACTS

All connectors do not include contacts. Please order them separately (ref: P/N below)	
For HVSL280063XX04XX	For HVSL280063XX04XX
Socket contact	Socket signal contact (HVIL)
P/N: C310003612	P/N: C310003614
	
2.5 to 4mm ² shielded wire	0.5mm ² unshielded wire

Sealing gasket for HVSL280063XX04XX:

12	11	10
P/N: C270003607	P/N: C2700036071	P/N: C2700036072
12 ± 0.2 mm (Wire OD)	11 ± 0.2 mm (Wire OD)	10 ± 0.2 mm (Wire OD)

INSERT ORIENTATIONS



	Coding A	Coding B	Coding C	Coding D	Coding E
P/N	HVSL280 06 3 A	HVSL280 06 3 B	HVSL280 06 3 C	HVSL280 06 3 D	HVSL280 06 3 E

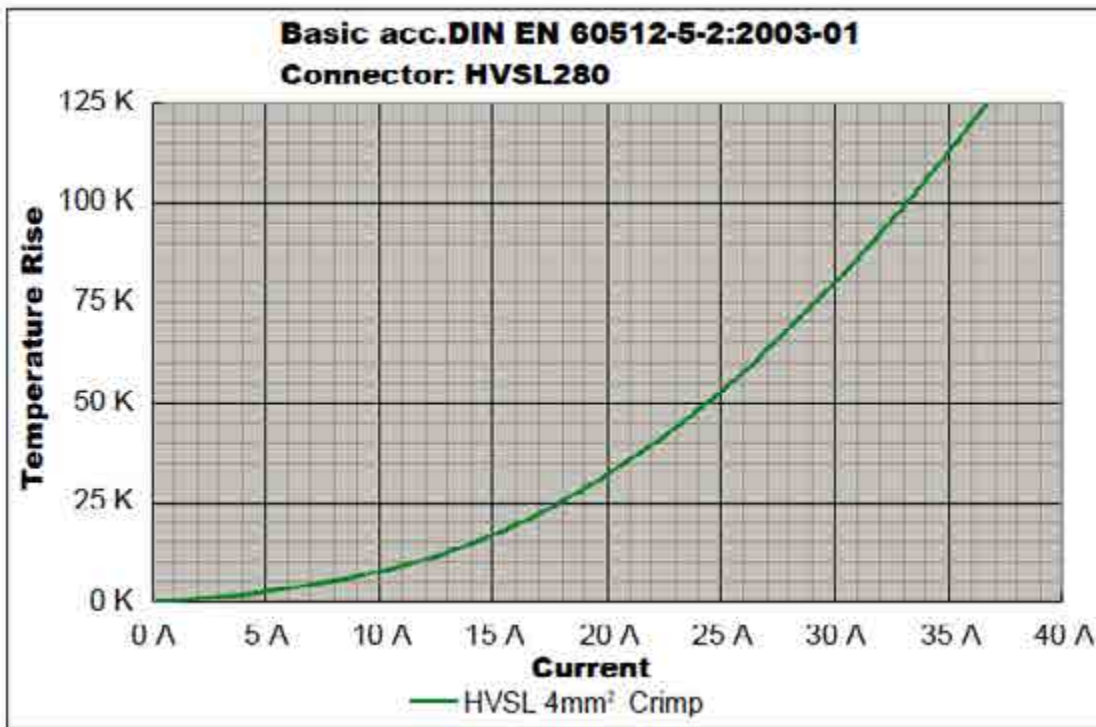
HOW TO ORDER: PLUG

	HVSL280	06	3	A	0	03	10
Product type:	06: Straight plug						
Position:	3: 3 positions						
Coding / Alternate position:	A: Coding A B: Coding B C: Coding C D: Coding D E: Coding E						
Interlock:	0: Without interlock 1: With interlock						
Cable size:	03: 2.5mm ² 04: 4mm ²						
Sealing gasket:	10: 10mm (Wire OD) 11: 11mm (Wire OD) 12: 12mm (Wire OD)						

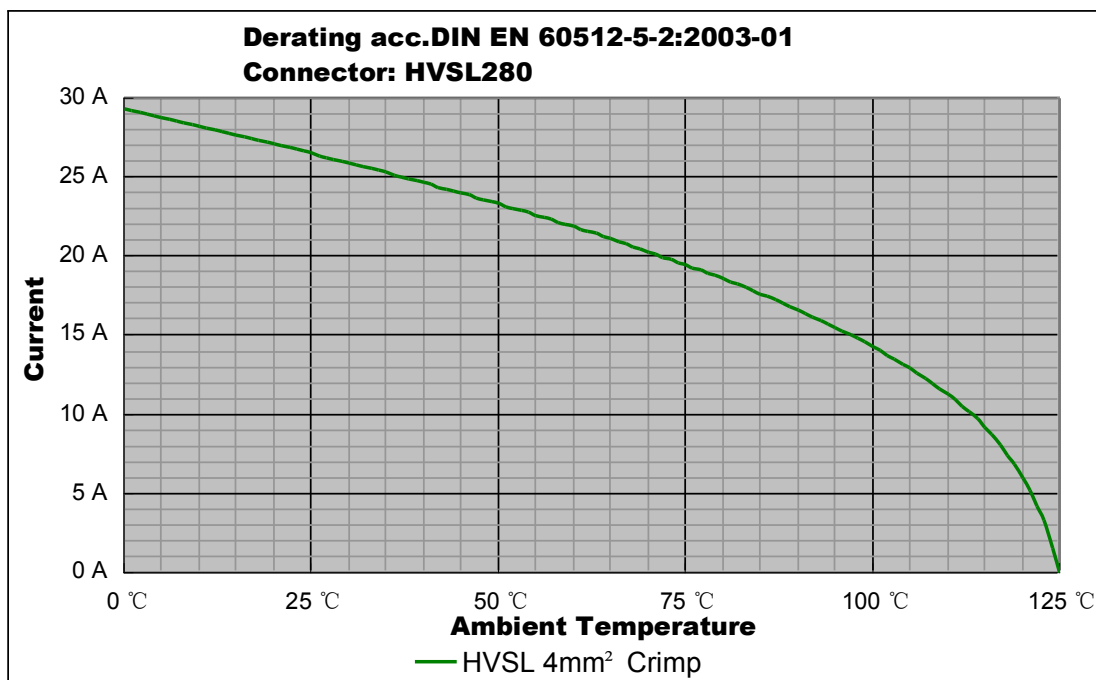
HOW TO ORDER: RECEPTACLE

	HVSL280	02	3	A
Product type:	02: Box mounted receptacle			
Position:	3: 3 positions			
Coding / Alternate position:	A: Coding A B: Coding B C: Coding C D: Coding D E: Coding E			

HVSL 280 | Temperature Rise



HVSL 280 | Derating Curve



Remark: tests carried out on the complete connector.

Excel|Mate Eco (HVSL282 2 PIN connector)



HVSL282

HVSL282 is a 2 position connector with plastic housing, high voltage, integrated HVIL. It provides a current carrying capacity from 16 to 32A and 2.5 to 4mm² crimping cable.

Specially designed for DC-DC, air-conditioner, and other equipment in xEV device applications.

KEY FEATURES

Integrated internal HVIL

Current rating up to 32A

Two-stage, tool or thumb activated latching

No tool required to unmate

Sealing, IP67 (mated), IP6K9K

Touch-proof, IP2XB

Multiple coding positions

CPA available

MECHANICAL

Durability	≥ 50 mating cycles
Wire range	2.5 to 4 mm ² shielded wire
Insertion and extraction force	< 100N
Connection type	Crimping
Latching style	Two stage, finger actuated
HVIL	Integrated
CPA	Available

ELECTRICAL

Rated voltage	800V DC
Rated current	32A Max @ ambient temperature 70°C
Insulator resistance	> 200MΩ
Dielectric withstand voltage	3000V AC
Shielding	360° from wire to device

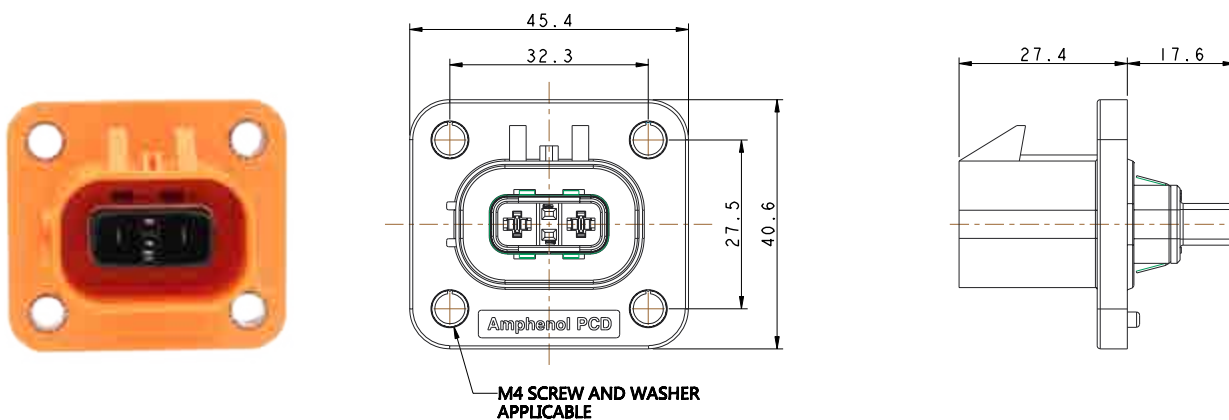
ENVIRONMENTAL

Sealing	IP67, IP6K9K (mated)
Touch-proof	IP2XB
Temperature range	-40°C to 125°C

MATERIAL

Terminals	Copper/copper alloy with tin plating
Housing	PA66 + GF

RECEPTACLE

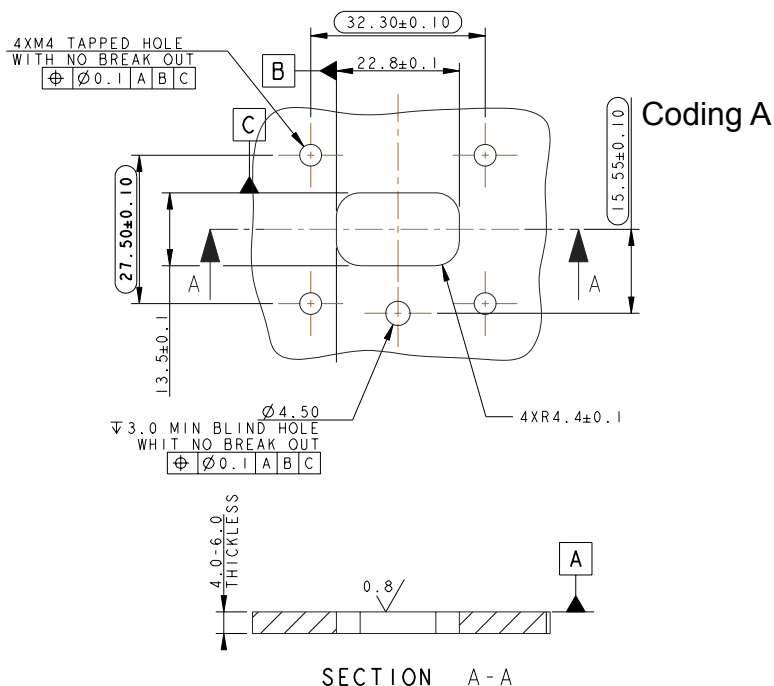


CONTACTS

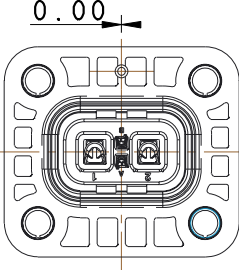
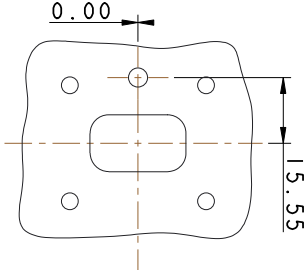
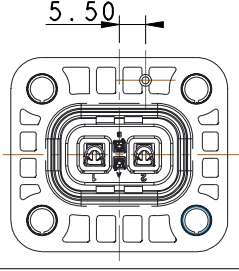
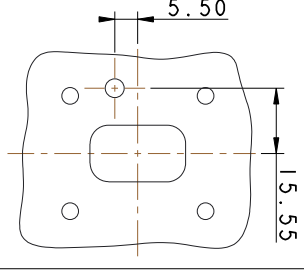
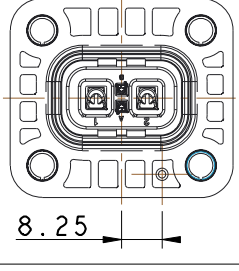
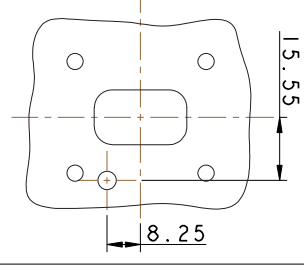
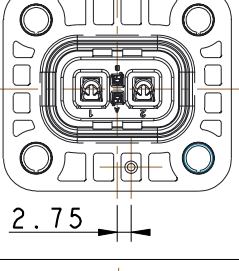
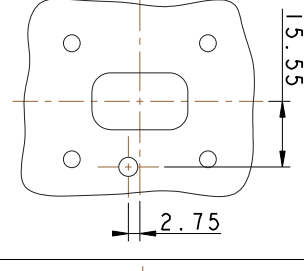
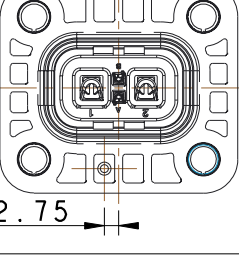
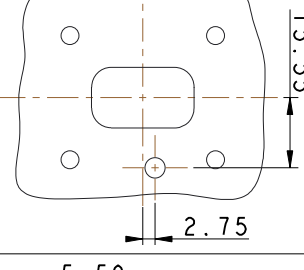
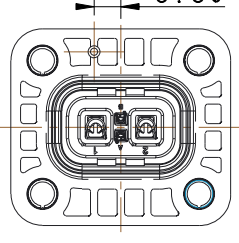
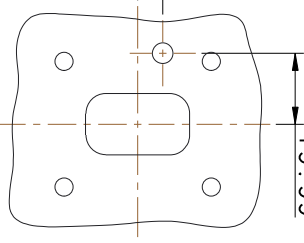
All connectors do not include contacts. Please order them separately (ref: P/N below)

Pin contact: crimping	Socket signal contact (HVIL)
P/N: C310003611	P/N: C310003614
2.5 to 4mm ² unshielded wire	0.5mm ² unshielded wire

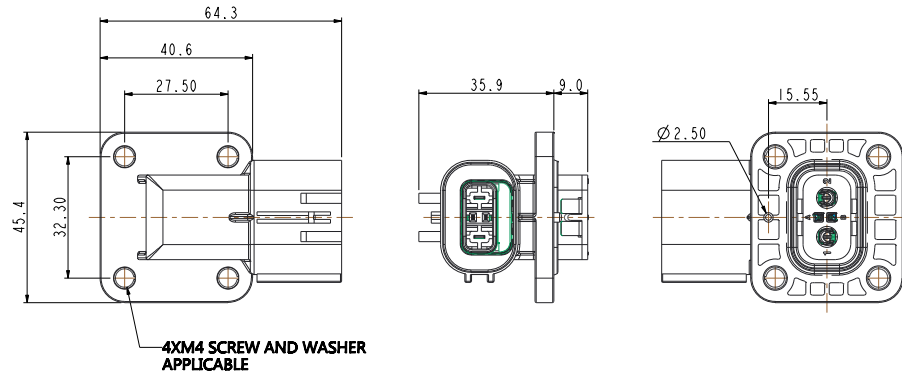
PANEL MOUNTING DIMENSION



PANEL MOUNTING HOLES POSITIONS

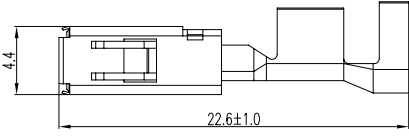
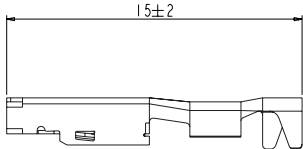
PART NUMBER	INSERT ORIENTATION	PANEL MOUNTING DIMENSION
HVSL282 02 2 A		
HVSL282 02 2 B		
HVSL282 02 2 C		
HVSL282 02 2 D		
HVSL282 02 2 E		
HVSL282 02 2 F		

RIGHT-ANGLE RECEPTACLE

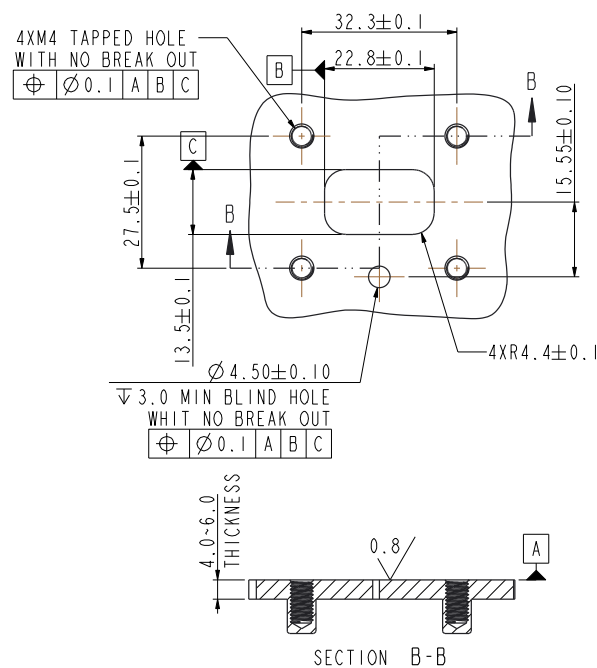


CONTACTS

All connectors do not include contacts. Please order them separately (ref: P/N below)

Socket contact: crimping	Socket signal contact (HVIL)
P/N: C310003612	P/N: C310003614
	
2.5 to 4mm ² shielded wire	0.5mm ² unshielded wire

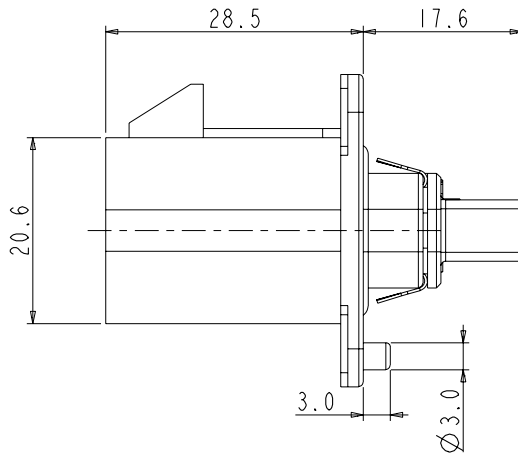
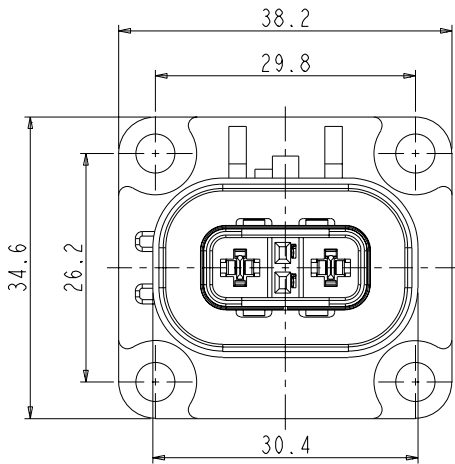
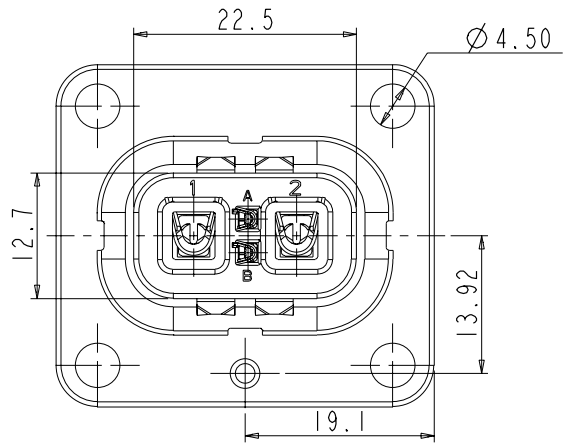
PANEL MOUNTING DIMENSION



PANEL MOUNTING HOLES POSITIONS

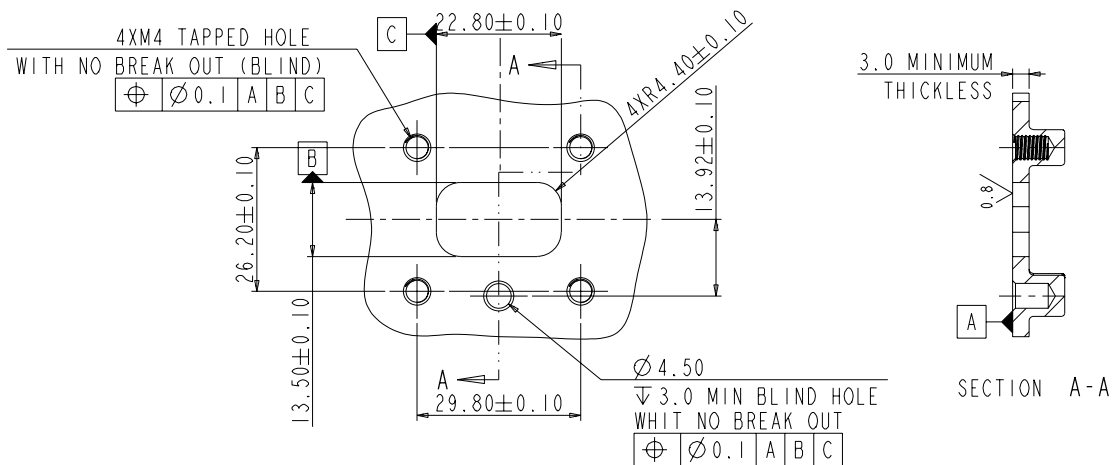
PART NUMBER	INSERT ORIENTATION	PANEL MOUNTING DIMENSION
HVSL282 04 2 AX		
HVSL282 04 2 BX		
HVSL282 04 2 CX		
HVSL282 04 2 DX		
HVSL282 04 2 EX		
HVSL282 04 2 FX		

RECEPTACLE: METAL SHELL

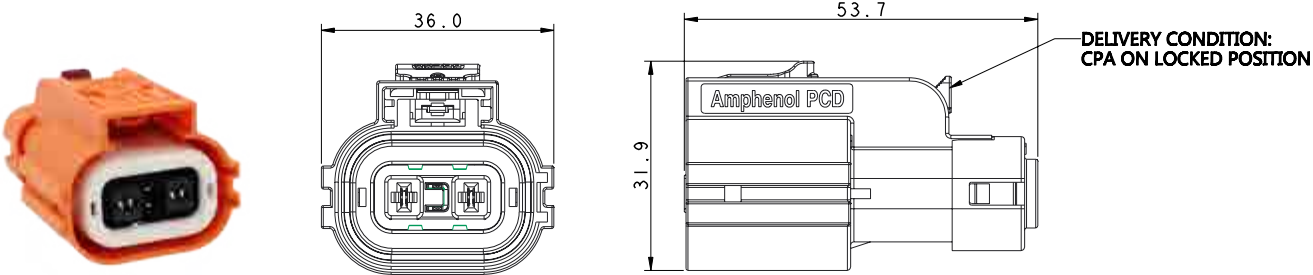


PANEL MOUNTING DIMENSION

PANEL CUT-OUT REFERENCE



PLUG



CONTACTS

All connectors do not include contacts. Please order them separately (ref: P/N below)	
Socket contact: crimping	HVIL contacts
P/N: C310003612	Integrated, no need to buy.
2.5 to 4mm ² shielded wire	

INSERT ORIENTATIONS

	Coding A	Coding B	Coding C	Coding D	Coding E	Coding F
P/N	HVSL282 06 2 A	HVSL282 06 2 B	HVSL282 06 2 C	HVSL282 06 2 D	HVSL282 06 2 E	HVSL282 06 2 F

HOW TO ORDER (HVSL 282)

HOW TO ORDER: PLUG

	HVSL282	06	2	A	0	03	I
Product type:	06: Straight plug						
Position:	2: 2 positions						
Coding / Alternate position:	A: Coding A		D: Coding D				
	B: Coding B		E: Coding E				
	C: Coding C		F: Coding F				
HVIL:	0: Without HVIL						
	1: With HVIL						
Cable size:	03: 2.5mm ²						
	04: 4mm ²						
Wire type:	I: Individually shielded wire						

HOW TO ORDER: RECEPTACLES

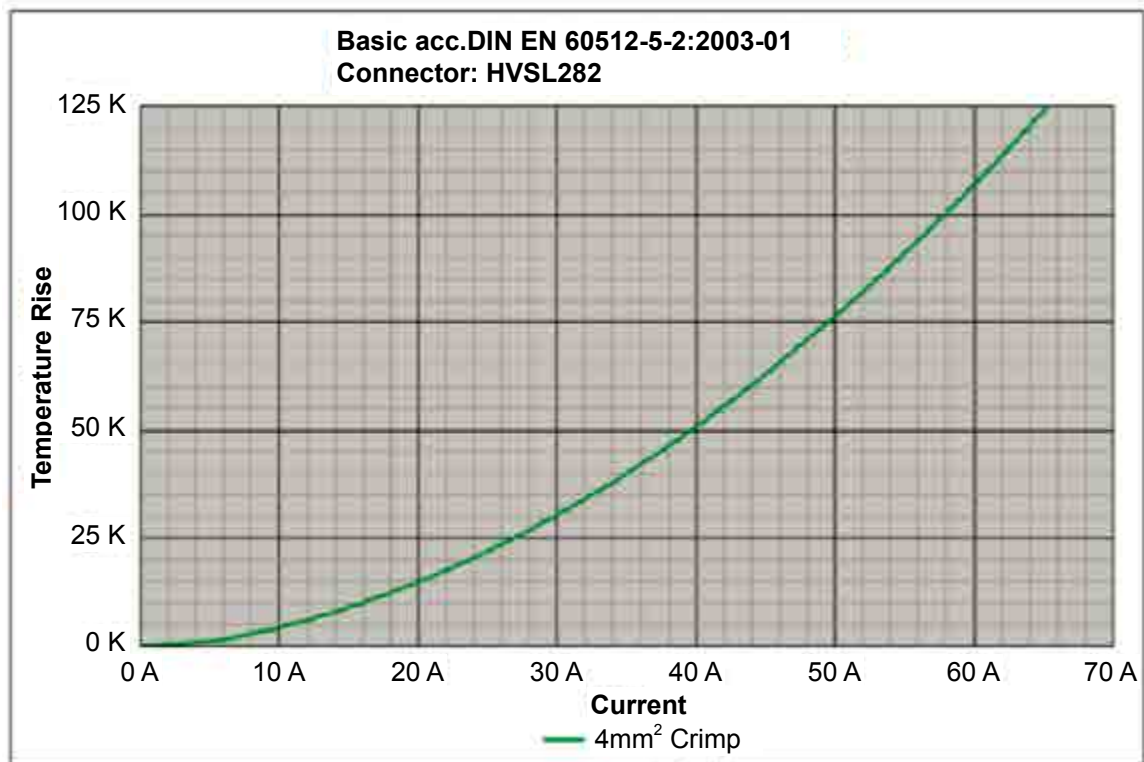
	HVSL282	02	2	A	
Product type:	02: Box mounted receptacle				
Position:	2: 2 positions				
Coding / Alternate position:	A: Coding A		D: Coding D		
	B: Coding B		E: Coding E		
	C: Coding C		F: Coding F		

	HVSL282	04	2	A	X
Product type:	04: Right-angle receptacle				
Position:	2: 2 positions				
Coding / Alternate position:	A: Coding A		D: Coding D		
	B: Coding B		E: Coding E		
	C: Coding C		F: Coding F		
HVIL	0: without HVIL				
	1: with HVIL				

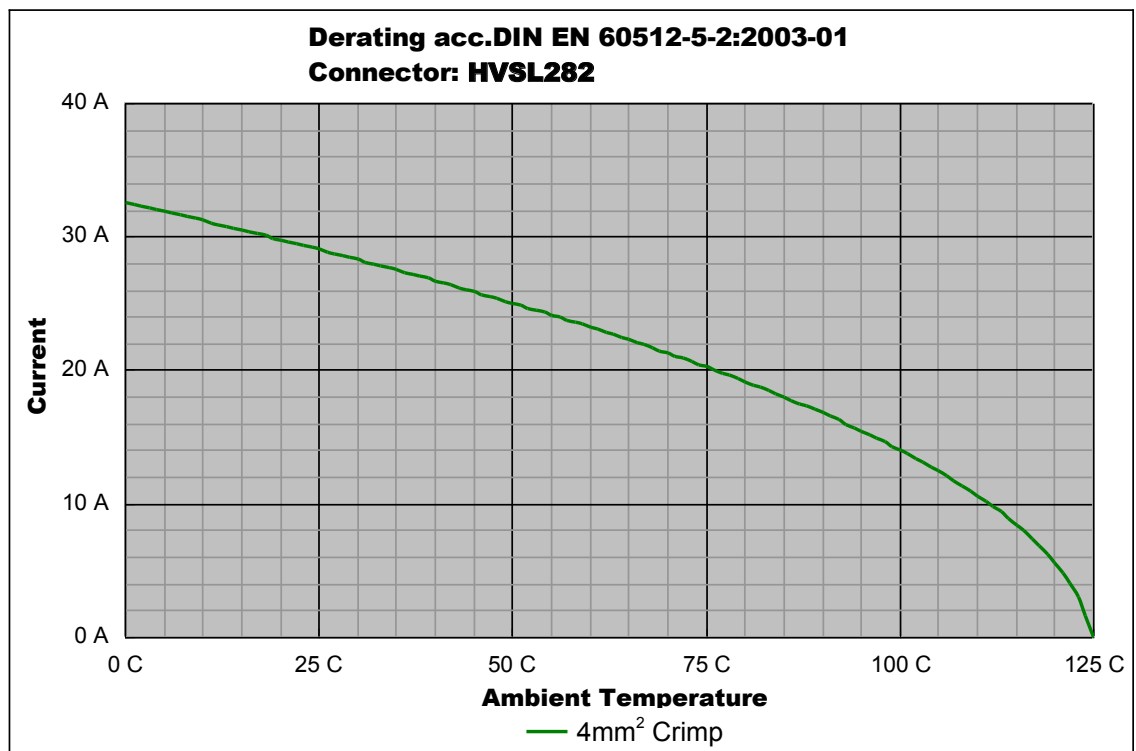
RECEPTACLE: METAL SHELL

	HVSLM282	02	2	A	
Product type:	02: Box mounted receptacle				
Position:	2: 2 positions				
Coding / Alternate position:	A: Coding A		D: Coding D		
	B: Coding B		E: Coding E		
	C: Coding C		F: Coding F		

HVSL 282 | Temperature Rise



HVSL 282 | Derating Curve



Remark: tests carried out on the complete connector.

Excel|Mate Eco (HVSL 362)

Excel|Mate Eco (HVSL362 2 PIN connector)



HVSL362

HVSL362 is a 2 position connector with plastic housing, high voltage, integrated HVIL. It provides a current carrying capacity up to 60A and a 6 to 10mm² crimping cable.

Specially designed for DC-DC, air-conditioner, and other equipment in xEV device applications.

KEY FEATURES

Integrated internal HVIL

Current rating up to 60A

Two-stage, tool or thumb activated latching

No tool required to unmate

Sealing, IP67 (mated), IP6K9K

Touch-proof, IP2XB

Multiple coding positions

CPA available

MECHANICAL

Durability	≥ 50 mating cycles
Wire range	6 to 10mm ² shielded wire
Insertion and extraction force	< 100N
Connection type	Crimping
Latching style	Two stage, finger actuated
HVIL	Integrated
CPA	Available

ELECTRICAL

Rated voltage	800V DC
Rated current	60A Max @ ambient temperature 70°C
Insulator resistance	> 200MΩ
Dielectric withstand voltage	3000V AC
Shielding	360° from wire to device

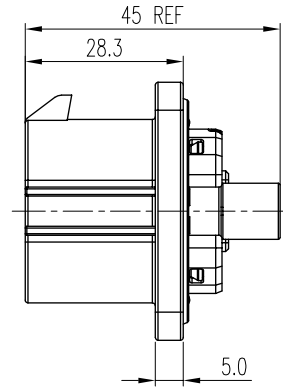
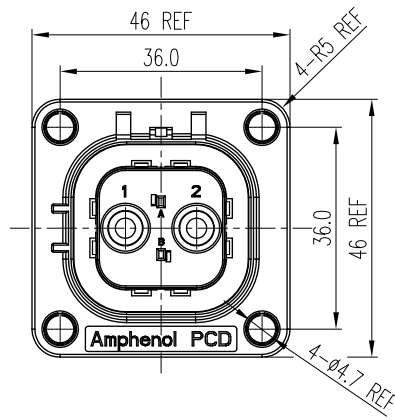
ENVIRONMENTAL

Sealing	IP67, IP6K9K (mated)
Touch-proof	IP2XB
Temperature range	-40°C to 125°C

MATERIAL

Terminals	Copper/copper alloy with silver plating
Housing	PA66 + GF

RECEPTACLE

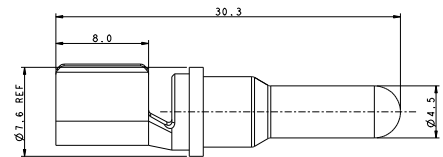


CONTACTS

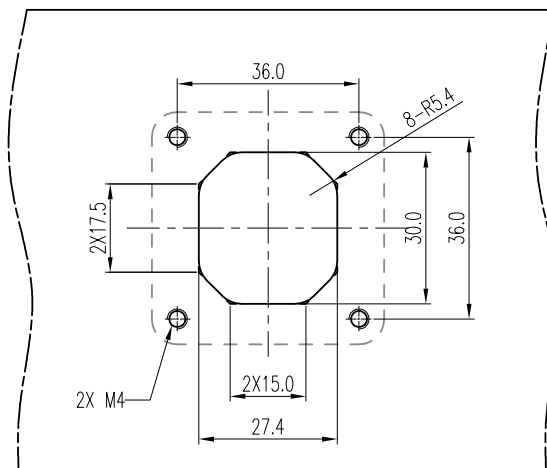
All connectors do not include contacts. Please order them separately (ref: P/N below)

CONTACTS

HVIL contacts	6 to 10mm ²
P/N: C310003614	P/N: C3100235011

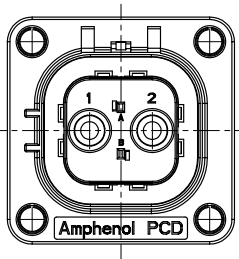
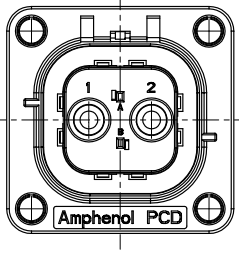
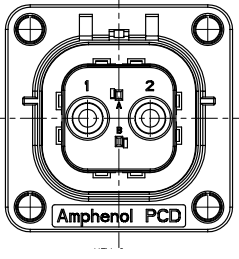
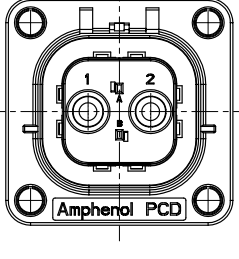
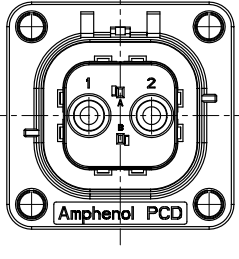


PANEL MOUNTING DIMENSION

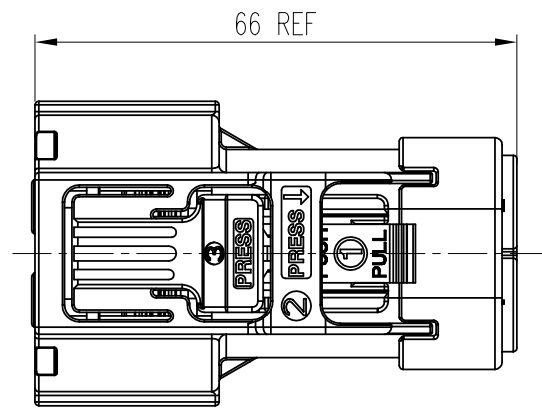
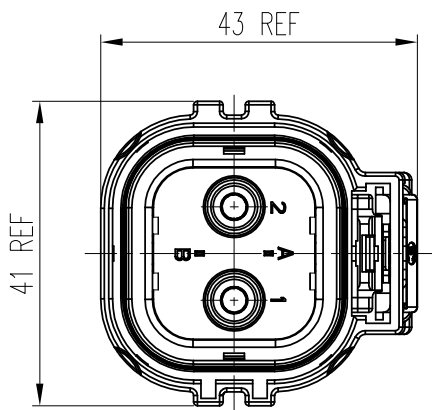


MOUNTING INTERFACE SPECIFICATION
RECOMMENDED THICKNESS:3.0mm Min

PANEL MOUNTING HOLES POSITIONS

PART NUMBER	INSERT ORIENTATION
HVSL362 022 A	
HVSL362 022 B	
HVSL362 022 C	
HVSL362 022 D	
HVSL362 022 E	

PLUG

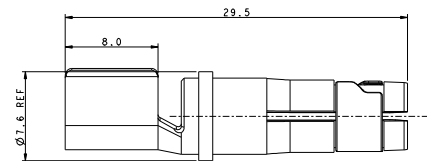


CONTACTS

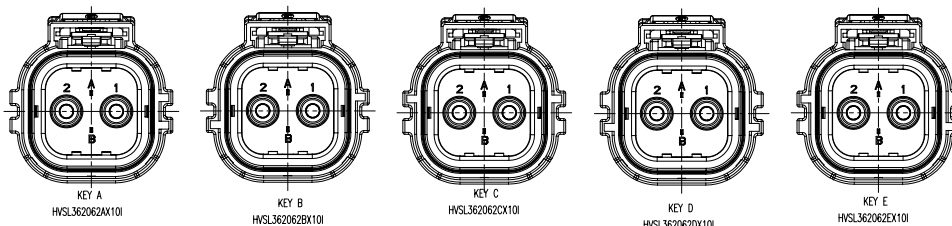
All connectors do not include contacts. Please order them separately (ref: P/N below)

CONTACTS

HVIL contacts	6 to 10mm ²
Integrated, no need to buy.	P/N: C3100235021



INSERT ORIENTATIONS



	Coding A	Coding B	Coding C	Coding D	Coding E
P/N	HVSL362 062 A	HVSL362 062 B	HVSL362 062 C	HVSL362 062 D	HVSL362 062 E

HOW TO ORDER (HVSL 362)

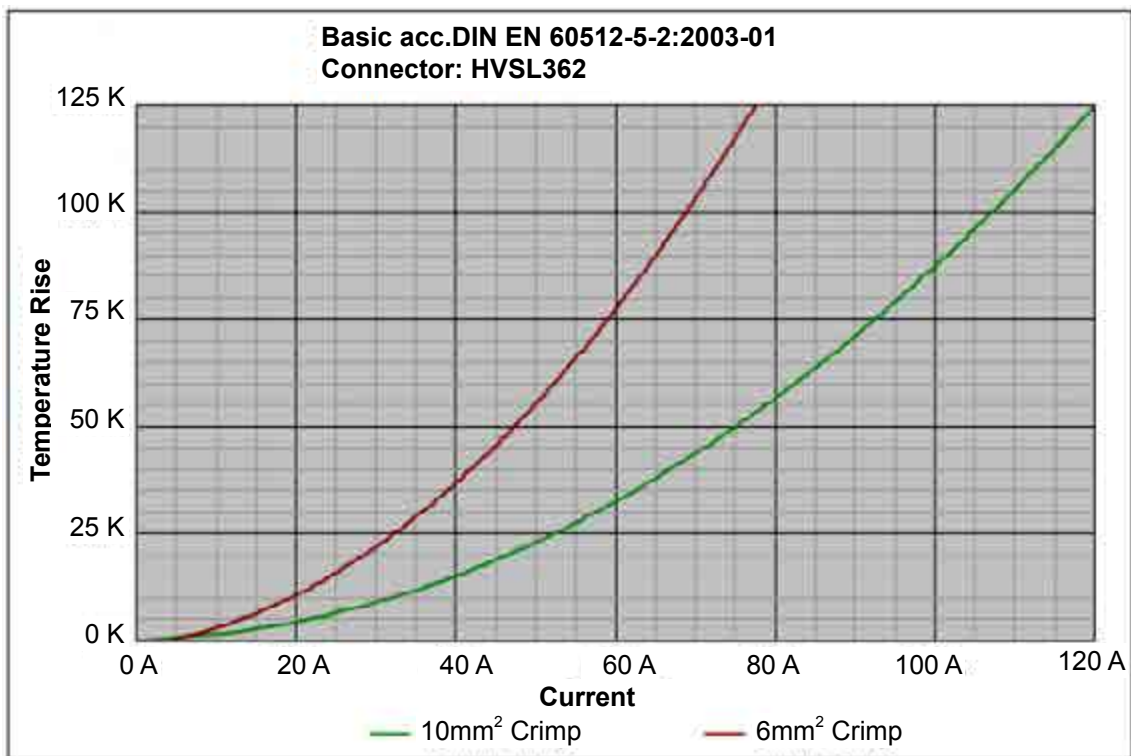
HOW TO ORDER: PLUG

		HVSL362	06	2	A	0	06	I
Product type:	06: Straight plug							
Position:	2: 2 positions							
Coding / Alternate position:	A: Coding A B: Coding B C: Coding C D: Coding D E: Coding E							
Interlock:	0: Without interlock 1: With interlock							
Cable size:	06: 6mm ² 10: 10mm ²							
Wire type:	I: Individually shielded wire							

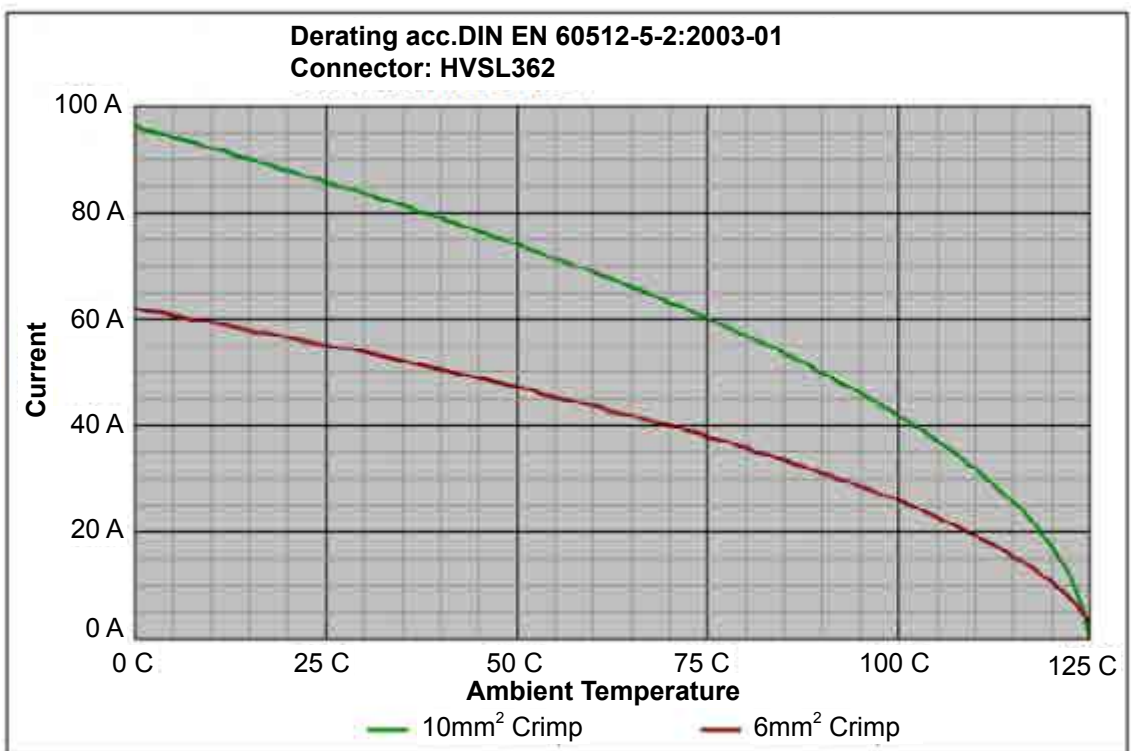
HOW TO ORDER: RECEPTACLE

		HVSL362	02	2	A
Product type:	02: Box mounted receptacle				
Position:	2: 2 positions				
Coding / Alternate position:	A: Coding A B: Coding B C: Coding C D: Coding D E: Coding E				

HVSL 362 | Temperature Rise



HVSL 362 | Derating Curve



Remark: tests carried out on the complete connector.

Excel|Mate Eco (HVSL 364)

Excel|Mate Eco (HVSL364 4 PIN connector)



HVSL364

HVSL364 is a 4 position connector with plastic housing, high voltage, integrated HVIL. It provides a current carrying capacity up to 46A and 2.5 to 6mm² crimping cable.

Specially designed for DC-DC, air-conditioner, and other equipment in xEV device applications.

KEY FEATURES

Integrated internal HVIL

Current rating up to 46A

Two-stage, tool or thumb activated latching

No tool required to unmate

Sealing, IP67 (mated), IP6K9K

Touch-proof, IP2XB

Multiple coding positions

CPA available

MECHANICAL

Durability	≥ 50 mating cycles
Wire range	2.5 to 6mm ² shielded wire
Insertion and extraction force	< 100N
Connection type	Crimping
Latching style	Two stage, finger actuated
HVIL	Integrated
CPA	Available

ELECTRICAL

Rated voltage	800V DC
Rated current	46A Max @ ambient temperature 70°C
Insulator resistance	> 200MΩ
Dielectric withstand voltage	3000V AC
Shielding	360° from wire to device

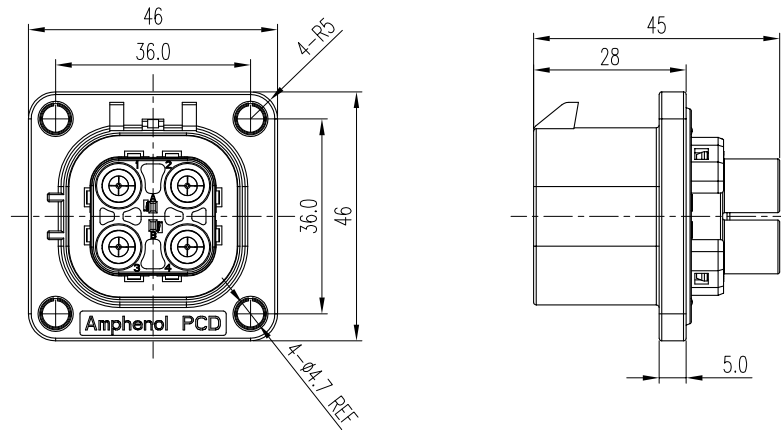
ENVIRONMENTAL

Sealing	IP67, IP6K9K (mated)
Touch-proof	IP2XB
Temperature range	-40°C to 125°C

MATERIAL

Terminals	Copper/copper alloy with silver plating
Housing	PA66 + GF

RECEPTACLE

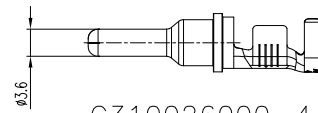


CONTACTS

All connectors do not include contacts. Please order them separately (ref: P/N below)

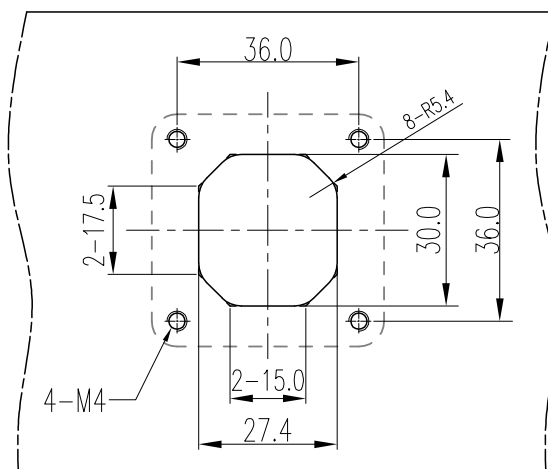
CONTACTS

HVIL contacts	4 to 6mm ²	2.5mm ²
P/N: C310003614	P/N: C310026000	P/N: C310026002



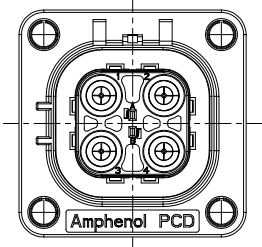
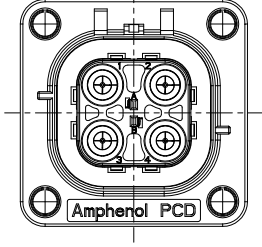
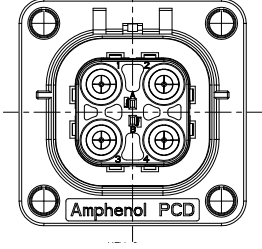
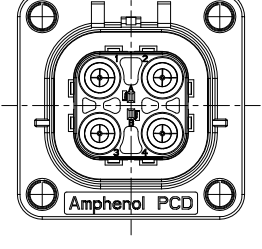
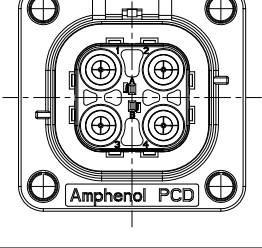
C310026000-4&6mm² wire
C310026002-2.5mm² wire

PANEL MOUNTING DIMENSION

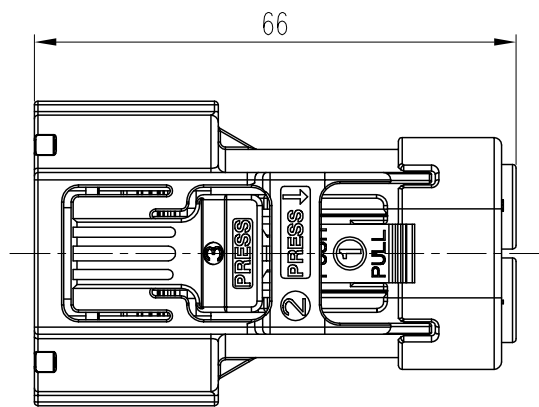
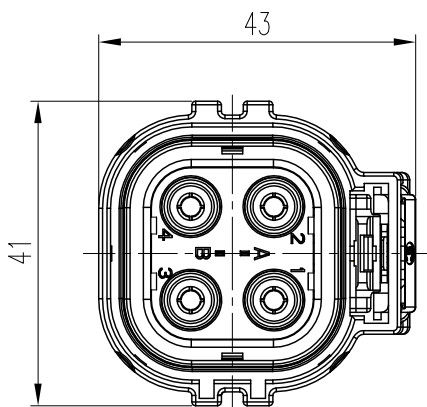


MOUNTING INTERFACE SPECIFICATION
RECOMMENDED THICKNESS:3.0mm Min

PANEL MOUNTING HOLES POSITIONS

PART NUMBER	INSERT ORIENTATION
HVSL364 024 A	
HVSL364 024 B	
HVSL364 024 C	
HVSL364 024 D	
HVSL364 024 E	

PLUG

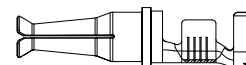


CONTACTS

All connectors do not include contacts. Please order them separately (ref: P/N below)

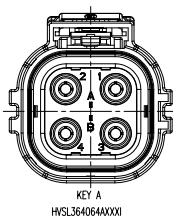
CONTACTS

HVIL contacts	4 to 6mm ²	2.5mm ²
Integrated, no need to buy.	P/N: C310026001	P/N: C310026003

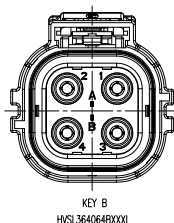


C310026001 – 4&6mm² wire
C310026003 – 2.5mm² wire

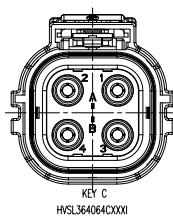
INSERT ORIENTATIONS



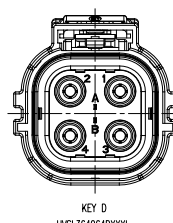
KEY A
HVSL364064XXXXI



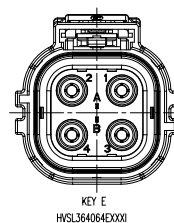
KEY B
HVSL364064BXXXXI



KEY C
HVSL364064CXXXXI



KEY D
HVSL364064DXXXXI



KEY E
HVSL364064EXXXXI

	Coding A	Coding B	Coding C	Coding D	Coding E
P/N	HVSL364 064 A	HVSL364 064 B	HVSL364 064 C	HVSL364 064 D	HVSL364 064 E

HOW TO ORDER (HVSL 364)

HOW TO ORDER: PLUG

	HVSL364	06	4	A	0	03	I
Product type:	06: Straight plug						
Position:	4: 4 position						
Coding / Alternate position:	A: Coding A B: Coding B C: Coding C D: Coding D E: Coding E						
Interlock:	0: Without interlock 1: With interlock						
Cable size:	03: 2.5mm ² 04: 4mm ² 06: 6mm ²						
Wire type:	I: Individually shielded wire						

HOW TO ORDER: RECEPTACLE

	HVSL364	02	4	A
Product type:	02: Box mounted receptacle			
Position:	4: 4 positions			
Coding / Alternate position:	A: Coding A B: Coding B C: Coding C D: Coding D E: Coding E			

ExcelMate PT (HVPT - PASS-THROUGH WITH CABLE GLAND)



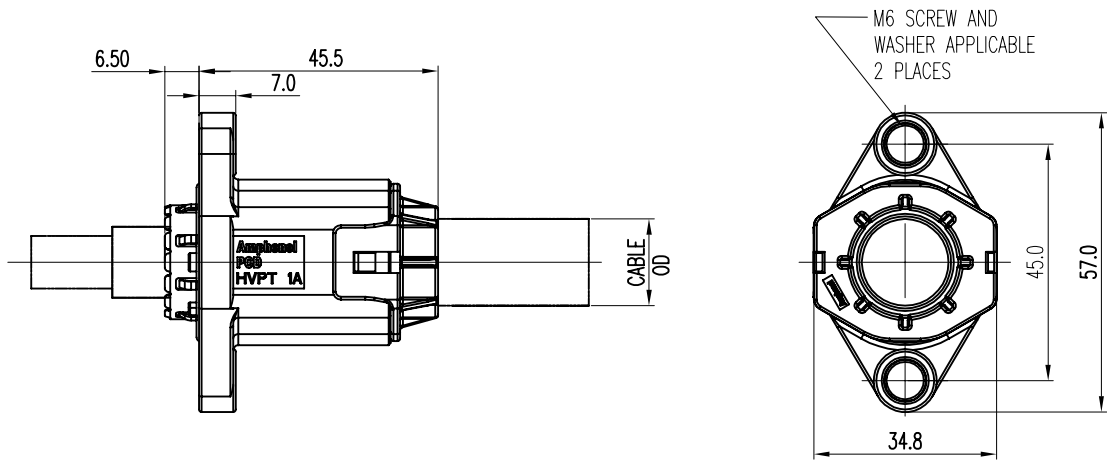
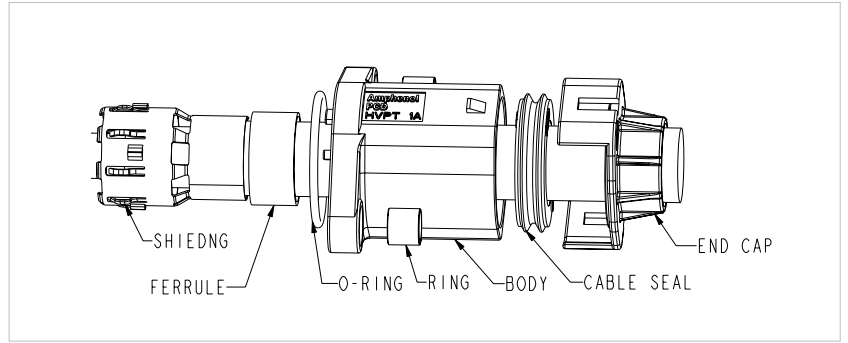
MECHANICAL	
Wire range	25 to 70 mm ² shielded wires
Connection type	Crimping
ELECTRICAL	
Rated voltage	1000V DC
Dielectric withstand voltage	3000V AC
Shielding	360° from wire to device
ENVIRONMENTAL	
Sealing	IP67, IP6K9K (mated)
Temperature range	-40°C to 125°C
MATERIAL	
Housing	PA66 + GF

KEY FEATURES

- 1 to 3 positions available
- Light in weight with plastic shell
- Easy to install, reliable connection
- Sealing, IP67 (mated), IP6K9K
- Multiple coding positions
- 360° shielded from wire to device
- Economical

Excel|Mate PT (HVPT)

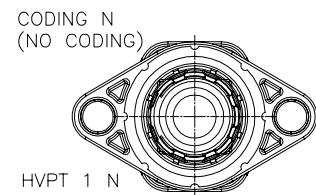
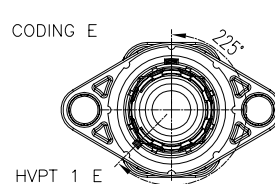
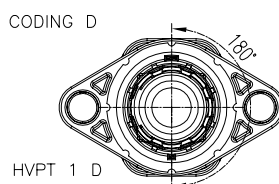
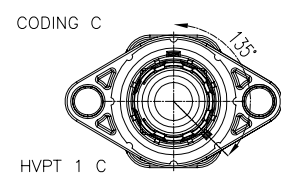
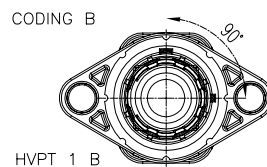
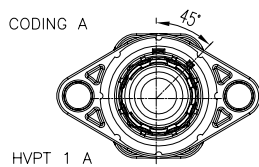
1 POSITION PASS-THROUGH



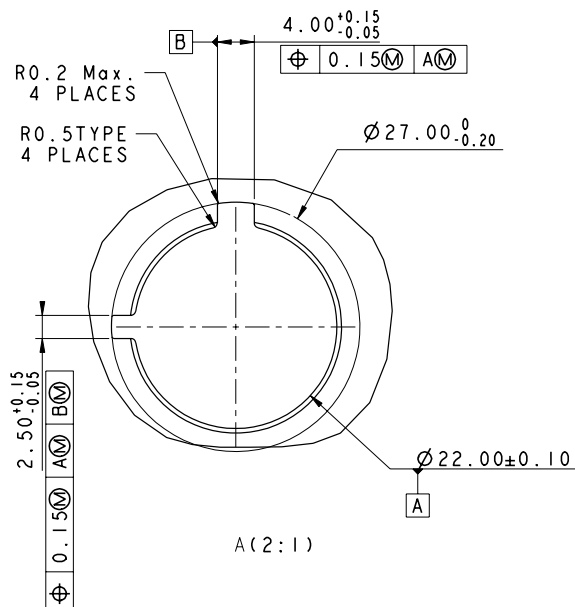
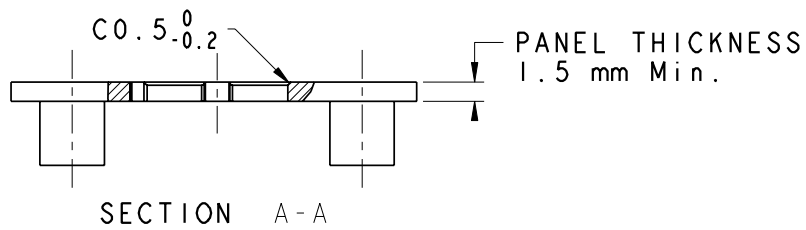
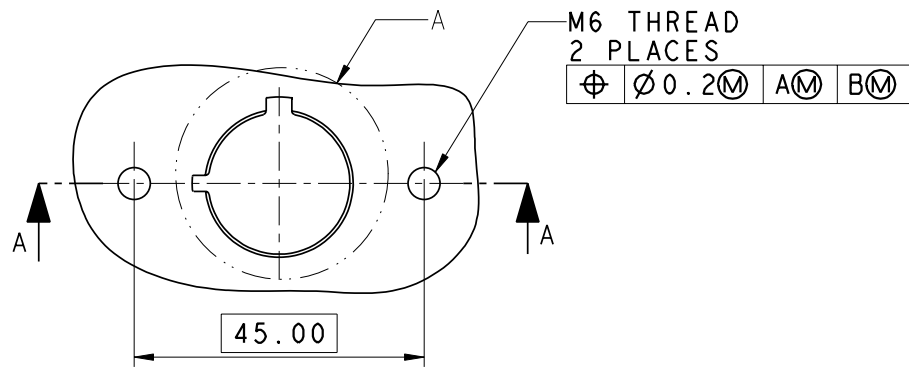
CONTACTS

Part number	Conductor cross section (mm ²)	Cable OD
HVPT 1 X 70	70	19.0±0.3
HVPT 1 X 50	50	16.5±0.3
HVPT 1 X 35	35	14.2±0.3
HVPT 1 X 25	25	11.9±0.3

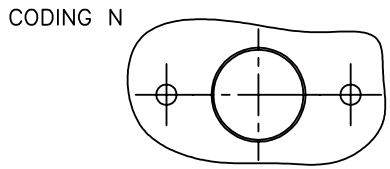
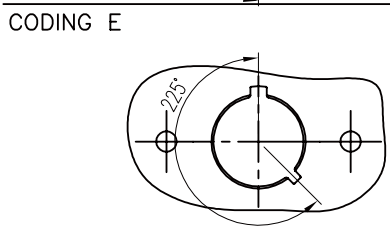
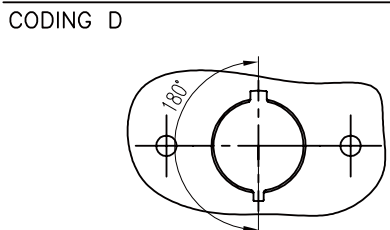
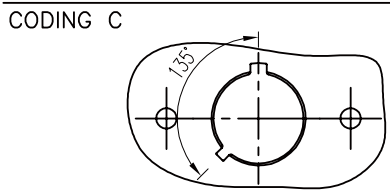
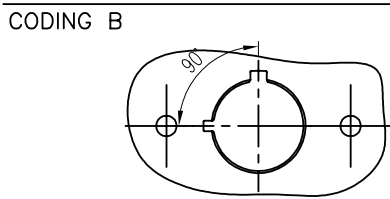
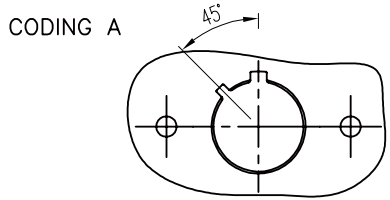
INSERT ORIENTATIONS



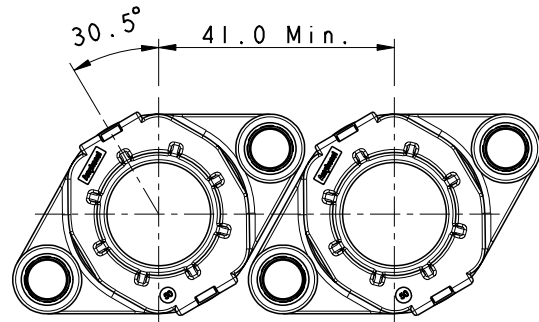
PANEL MOUNTING DIMENSIONS



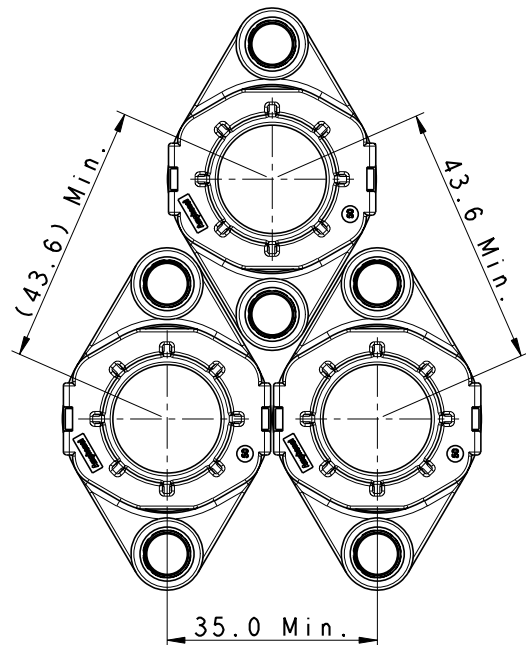
PANEL MOUNTING DIMENSIONS



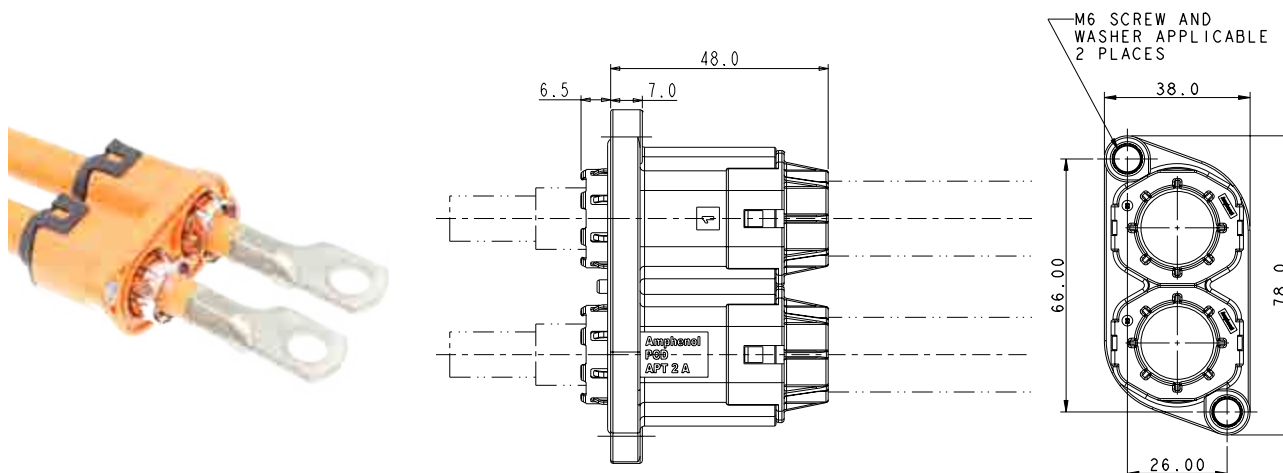
RECOMMENDED LAYOUT FOR 2 UNITS



RECOMMENDED LAYOUT FOR 3 UNITS



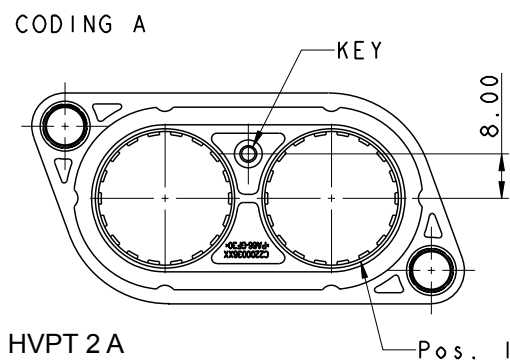
2 POSITION PASS-THROUGH



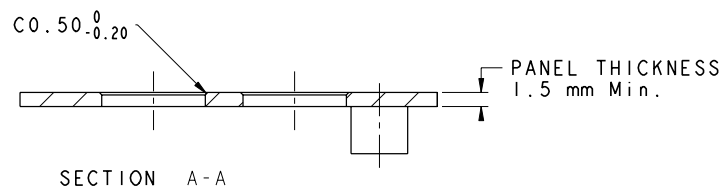
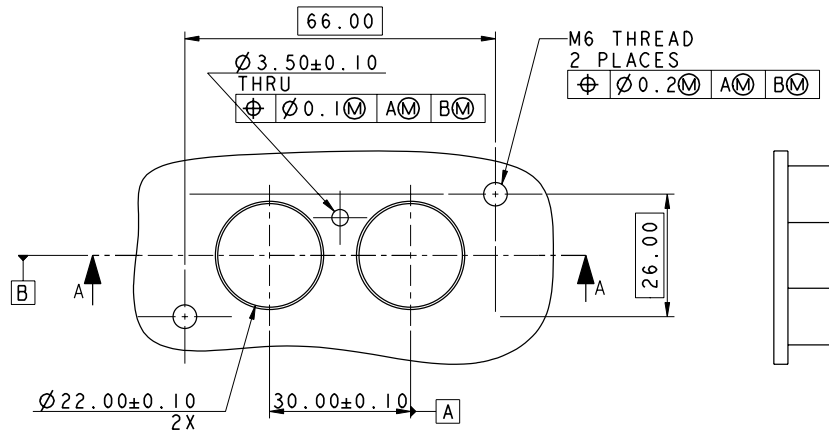
CONTACTS

Part number	Conductor cross section (mm ²)	Cable OD
HVPT 2 X 70	70	19.0±0.3
HVPT 2 X 50	50	16.5±0.3
HVPT 2 X 35	35	14.2±0.3
HVPT 2 X 25	25	11.9±0.3

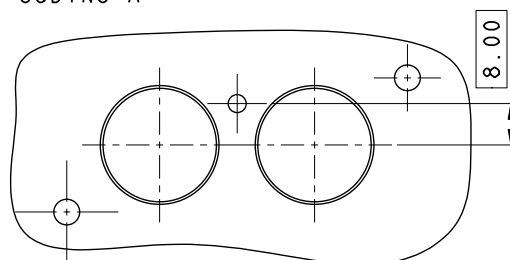
INSERT ORIENTATIONS



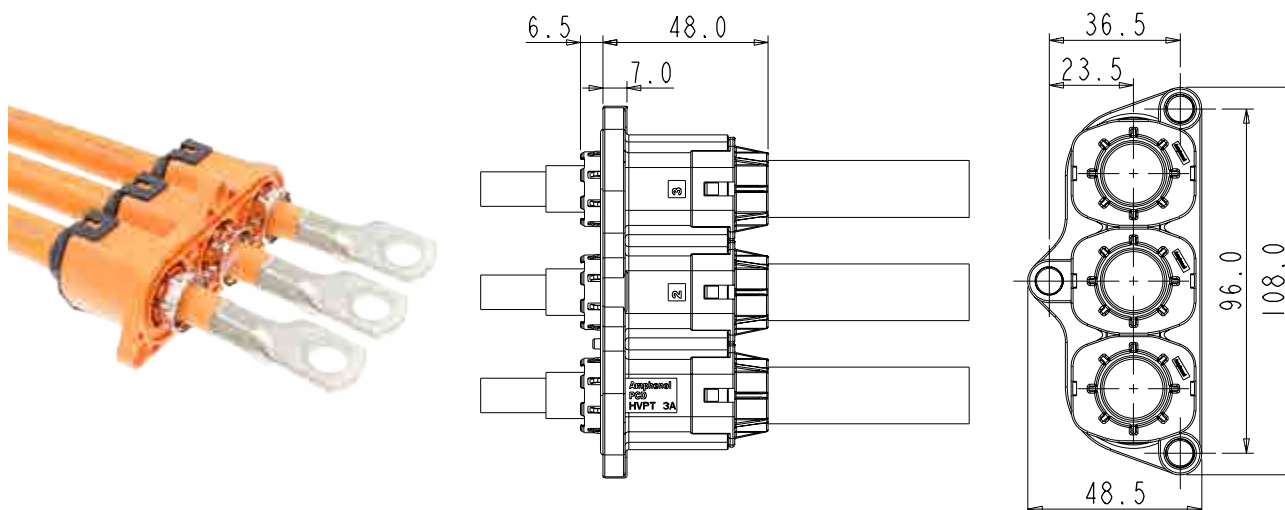
PANEL MOUNTING DIMENSIONS



CODING A



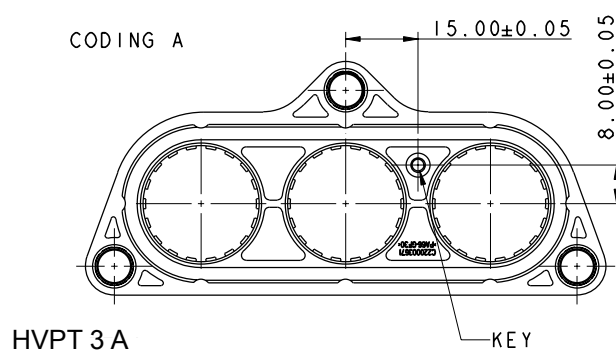
3 POSITION PASS-THROUGH



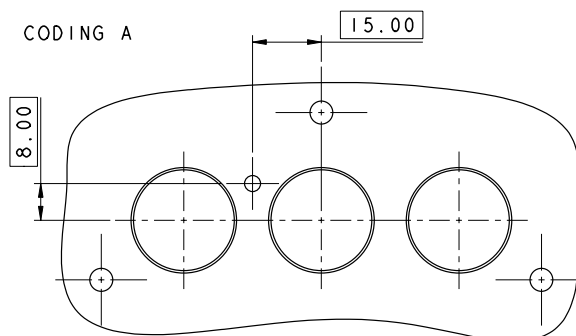
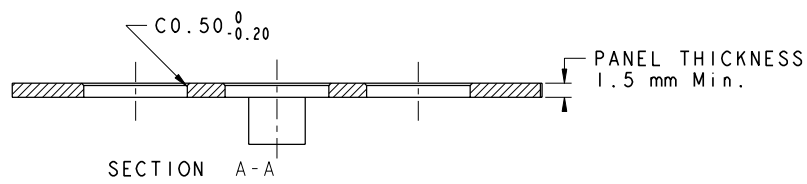
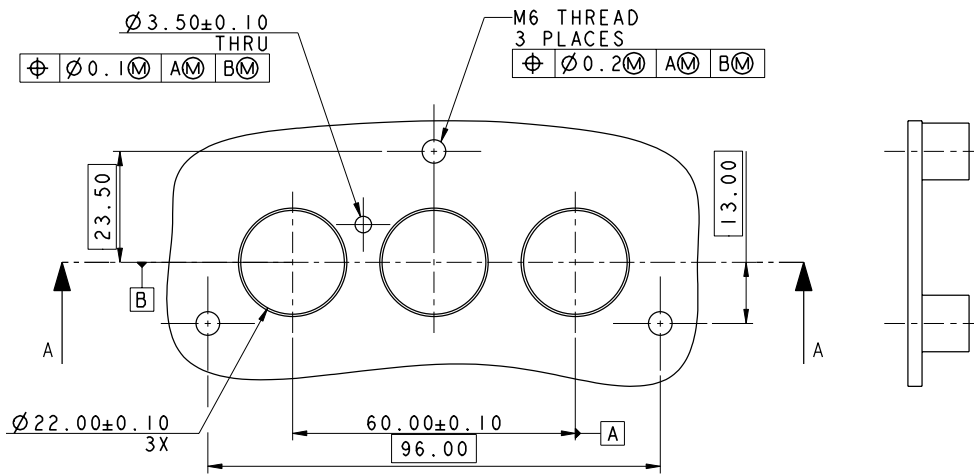
CONTACTS

Part number	Conductor cross section (mm ²)	Cable OD
HVPT 3 X 70	70	19.0±0.3
HVPT 3 X 50	50	16.5±0.3
HVPT 3 X 35	35	14.2±0.3
HVPT 3 X 25	25	11.9±0.3

INSERT ORIENTATIONS



PANEL MOUNTING DIMENSIONS



HVPT B PASS-THROUGH

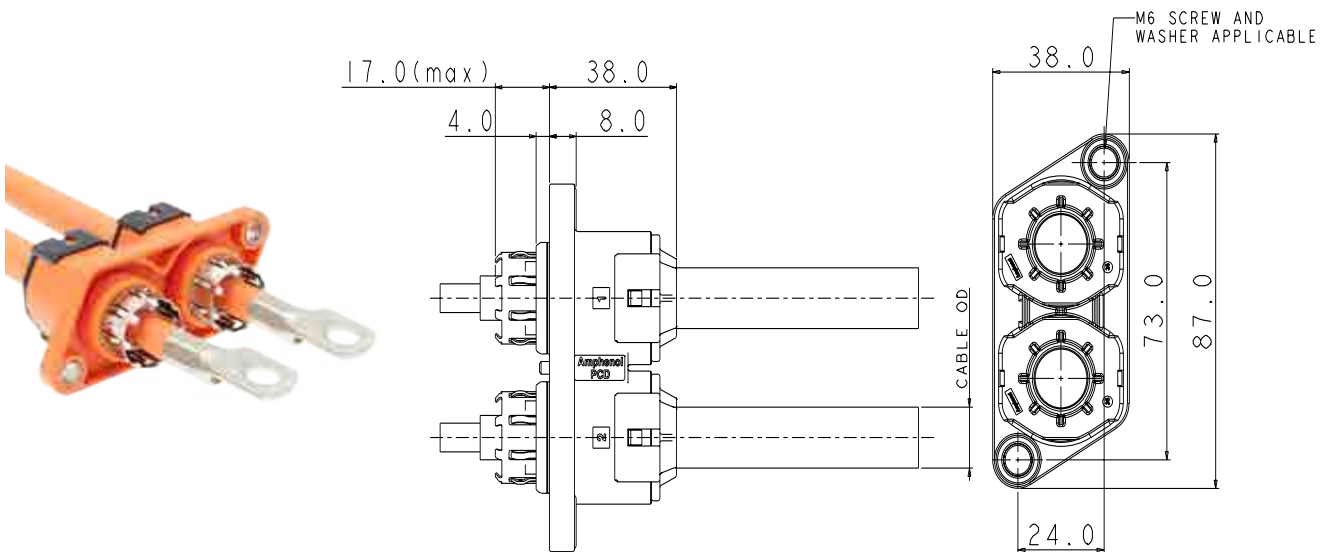


MECHANICAL	
Wire range	25 to 70 mm ² shielded wires
Connection type	Crimping
ELECTRICAL	
Rated voltage	1000V DC
Dielectric withstand voltage	3000V AC
Shielding	360° from wire to device
ENVIRONMENTAL	
Sealing	IP67, IP6K9K (mated)
Temperature range	-40°C to 125°C
MATERIAL	
Housing	PA66 + GF

KEY FEATURES

- 2 & 3 positions available
- Light in weight with plastic shell
- Easy to install, reliable connection
- Sealing, IP67 (mated), IP6K9K
- Multiple coding positions
- 360° shielded from wire to device
- Economical

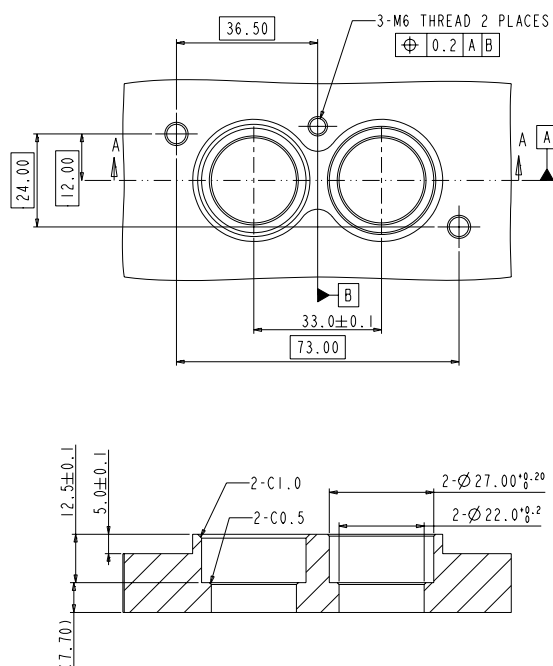
HVPTB 2 POSITION PASS-THROUGH



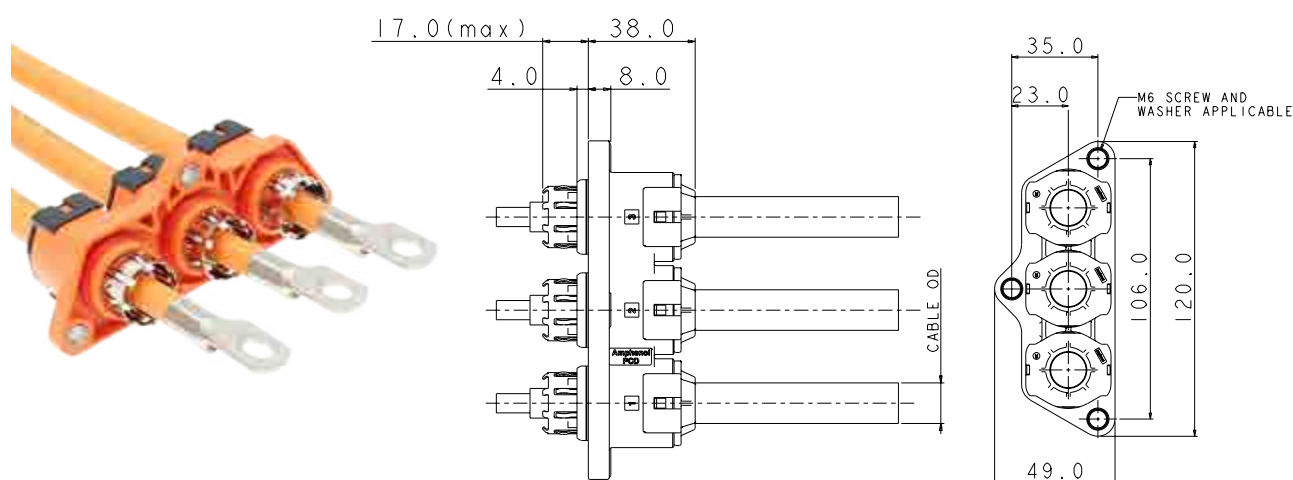
PART NUMBER

Part number	Conductor cross section (mm ²)	Cable OD
HVPTB 2 B 70	70	19.0±0.3
HVPTB 2 B 50	50	16.5±0.3
HVPTB 2 B 35	35	14.2±0.3
HVPTB 2 B 25	25	11.9±0.3

PANEL MOUNTING DIMENSIONS



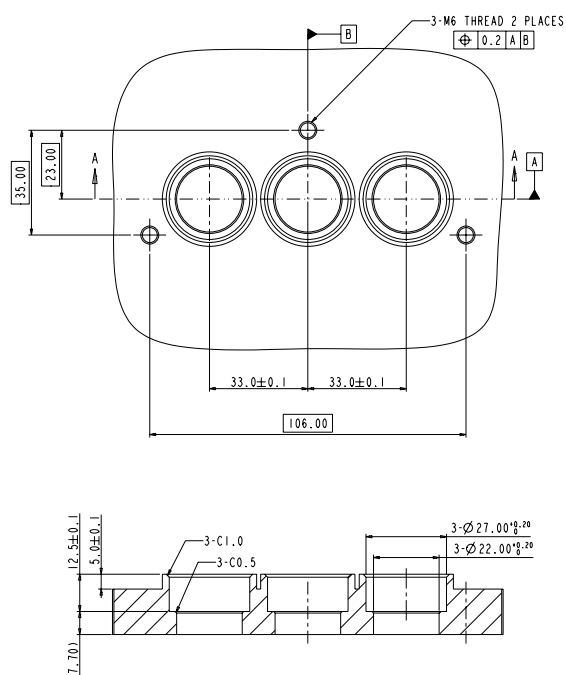
HVPTB 3 POSITION PASS-THROUGH



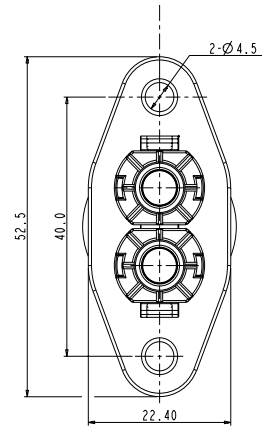
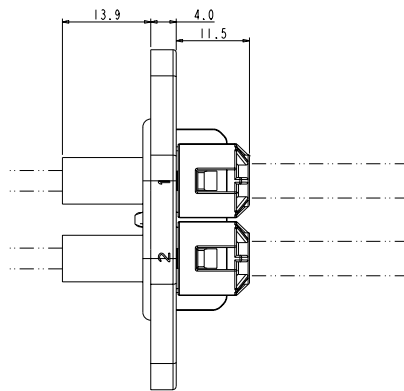
PART NUMBER

Part number	Conductor cross section (mm ²)	Cable OD
HVPTB 3 N 70	70	19.0±0.3
HVPTB 3 N 50	50	16.5±0.3
HVPTB 3 N 35	35	14.2±0.3
HVPTB 3 N 25	25	11.9±0.3

PANEL MOUNTING DIMENSIONS



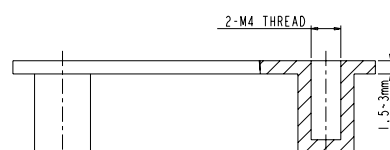
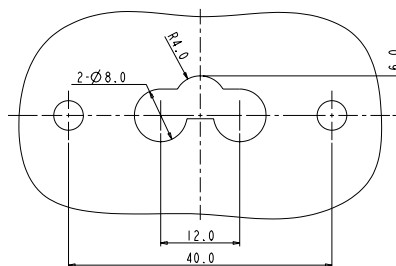
HVPTB 2A POSITION PASS-THROUGH



PART NUMBER

Part number	Conductor cross section (mm ²)	Cable OD (mm)
HVPTB 2 A 03	2.5 / 3.0	5.2 ± 0.2

PANEL MOUNTING DIMENSIONS



HVPC PASS-THROUGH

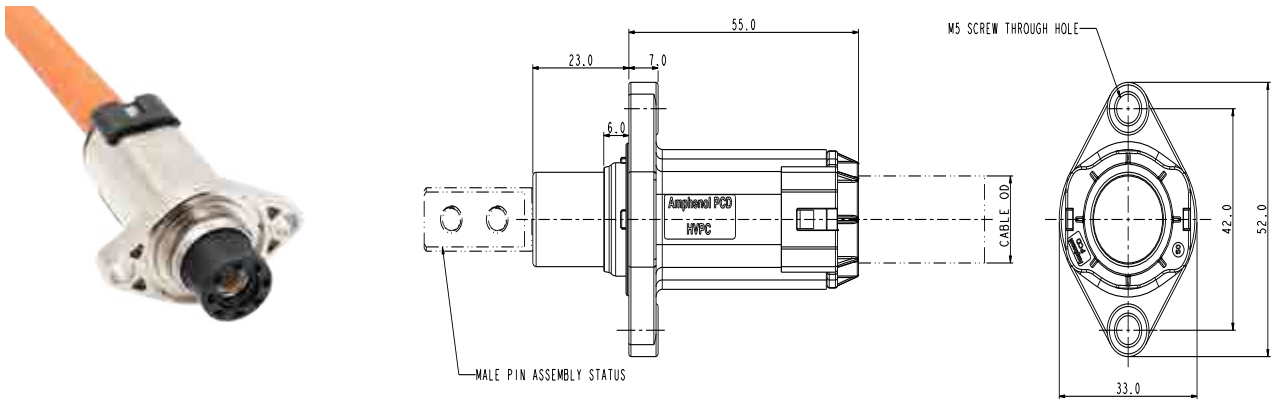


MECHANICAL	
Wire range	35 to 50mm ² shielded wires
Connection type	Crimping
ELECTRICAL	
Rated voltage	1000V DC
Dielectric withstand voltage	3000V AC
Shielding	360° from wire to device
ENVIRONMENTAL	
Sealing	IP67, IP6K9K (mated)
Temperature range	-40°C to 125°C
Salt spray	96 hours
MATERIAL	
Housing	Metal

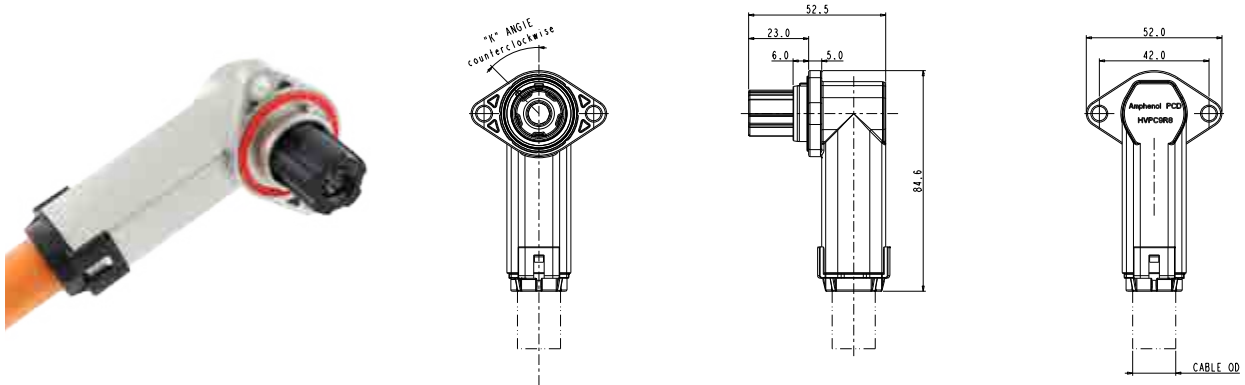
KEY FEATURES

- Easy to install, reliable connection
- Sealing, IP67 (mated), IP6K9K
- Multiple coding positions
- 360° shielded from wire to device
- Economical

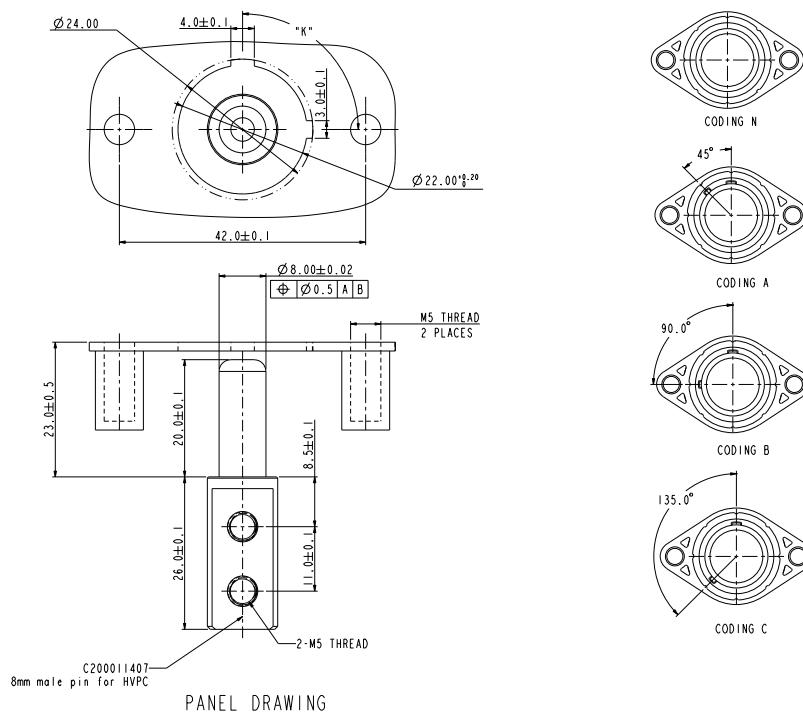
HVPC 1 POSITION PASS-THROUGH



HVPC 1 POSITION RIGHT-ANGLE



PANEL MOUNTING DIMENSIONS



HOW TO ORDER

	HVPC	7	R8	1	A	35
Product type:						
7: Straight						
9: Right angle						
Insert size:						
R8: 8mm pin contact						
Position:						
1: 1 position						
Coding:						
A: Coding A						
B: Coding B						
C: Coding C						
D: Coding D (Right-Angle only)						
E: Coding E (Right-Angle only)						
N: Coding N (Straight only)						
Wire type:						
35: 35mm ² shielded wire						
50: 50mm ² shielded wire						

Excel|Mate PT (HVPC 800)

HVPC 800



MECHANICAL	
Wire range	35 to 50mm ² shielded wires
Connection type	Crimping
ELECTRICAL	
Rated voltage	1000V DC
Dielectric withstand voltage	3000V AC
Shielding	360° from wire to device
ENVIRONMENTAL	
Sealing	IP67, IP6K9K (mated)
Temperature range	-40°C to 125°C
Salt spray	96 hours
MATERIAL	
Housing	Metal

KEY FEATURES

Easy to install, reliable connection

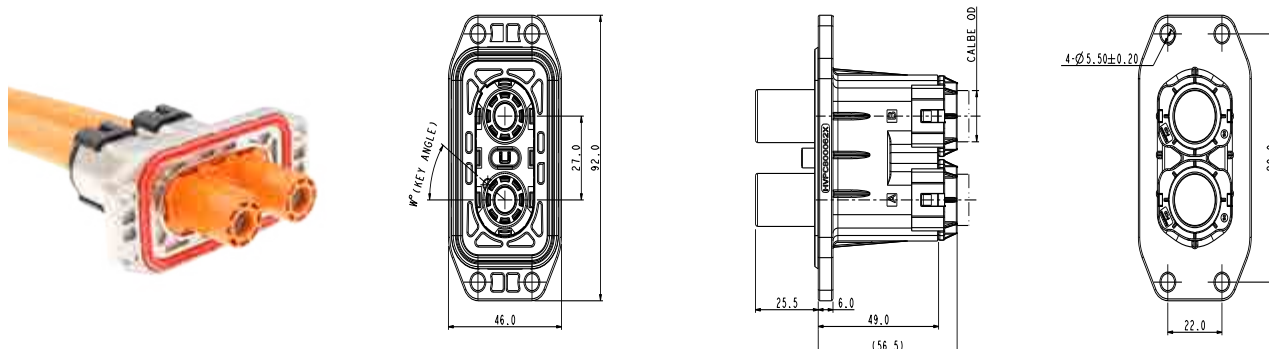
Sealing, IP67 (mated), IP6K9K

Multiple coding positions

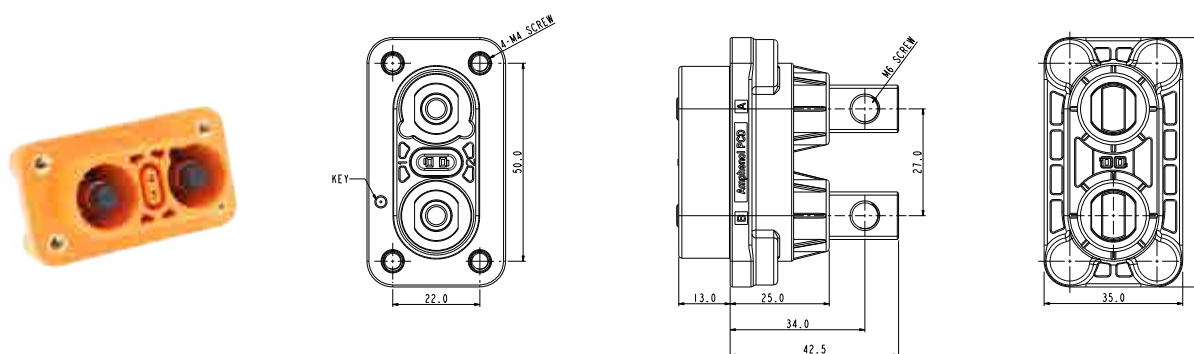
360° shielded from wire to device

Economical

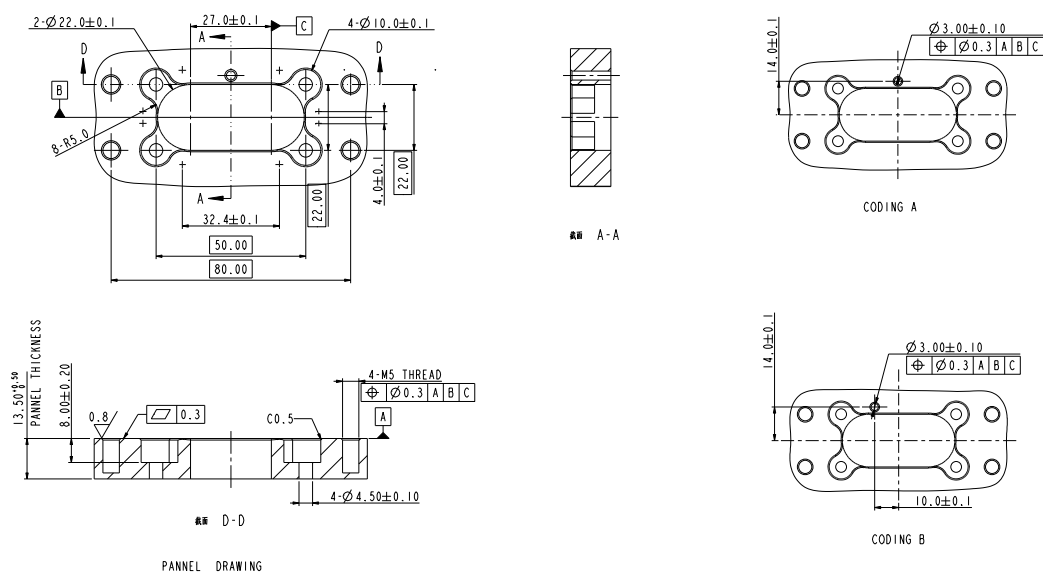
HVPC 800 PLUG



HVPC 800 RECEPTACLE



PANEL MOUNTING DIMENSIONS



HOW TO ORDER (HVPC 800)

HOW TO ORDER

	HVPC 800	02	2	A	1	35
Product type:						
02: Receptacle						
06: Plug						
Position:						
2: 2 positions						
Coding:						
A: Coding A						
B: Coding B						
HVIL:						
0: Without HVIL						
1: With HVIL						
Wire type:						
35: 35mm ² shielded wire						
50: 50mm ² shielded wire						

Amphenol PCD Shenzhen

Building 21
1st Liao Keng Industrial Zone
Shi Yan Street, Bao An District Shenzhen 518108
China

Tel.: +86 755-8173-8000
Fax: +86 755-8173-8180
Email: inquiry@amphenolpcd.com.cn

www.amphenolpcd.com.cn

Notes:

Amphenol PCD Shenzhen has made every effort to ensure that the information contained in this catalog is accurate at the time of publication. Specifications or information stated in this publication are subject to change without notice.

Amphenol PCD Shenzhen reserves the right to clarify this catalog.

Компания «Океан Электроники» предлагает заключение долгосрочных отношений при поставках импортных электронных компонентов на взаимовыгодных условиях!

Наши преимущества:

- Поставка оригинальных импортных электронных компонентов напрямую с производств Америки, Европы и Азии, а так же с крупнейших складов мира;
- Широкая линейка поставок активных и пассивных импортных электронных компонентов (более 30 млн. наименований);
- Поставка сложных, дефицитных, либо снятых с производства позиций;
- Оперативные сроки поставки под заказ (от 5 рабочих дней);
- Экспресс доставка в любую точку России;
- Помощь Конструкторского Отдела и консультации квалифицированных инженеров;
- Техническая поддержка проекта, помощь в подборе аналогов, поставка прототипов;
- Поставка электронных компонентов под контролем ВП;
- Система менеджмента качества сертифицирована по Международному стандарту ISO 9001;
- При необходимости вся продукция военного и аэрокосмического назначения проходит испытания и сертификацию в лаборатории (по согласованию с заказчиком);
- Поставка специализированных компонентов военного и аэрокосмического уровня качества (Xilinx, Altera, Analog Devices, Intersil, Interpoint, Microsemi, Actel, Aeroflex, Peregrine, VPT, Syfer, Eurofarad, Texas Instruments, MS Kennedy, Miteq, Cobham, E2V, MA-COM, Hittite, Mini-Circuits, General Dynamics и др.);

Компания «Океан Электроники» является официальным дистрибьютором и эксклюзивным представителем в России одного из крупнейших производителей разъемов военного и аэрокосмического назначения «JONHON», а так же официальным дистрибьютором и эксклюзивным представителем в России производителя высокотехнологичных и надежных решений для передачи СВЧ сигналов «FORSTAR».



JONHON

«JONHON» (основан в 1970 г.)

Разъемы специального, военного и аэрокосмического назначения:

(Применяются в военной, авиационной, аэрокосмической, морской, железнодорожной, горно- и нефтедобывающей отраслях промышленности)

«FORSTAR» (основан в 1998 г.)

ВЧ соединители, коаксиальные кабели, кабельные сборки и микроволновые компоненты:

(Применяются в телекоммуникациях гражданского и специального назначения, в средствах связи, РЛС, а так же военной, авиационной и аэрокосмической отраслях промышленности).



Телефон: 8 (812) 309-75-97 (многоканальный)

Факс: 8 (812) 320-03-32

Электронная почта: ocean@oceanchips.ru

Web: <http://oceanchips.ru/>

Адрес: 198099, г. Санкт-Петербург, ул. Калинина, д. 2, корп. 4, лит. А