

**PLEASE CHECK WWW.MOLEX.COM FOR LATEST PART INFORMATION**

**Part Number:** [0471511102](#)  
**Status:** **Active**  
**Overview:** high definition multimedia interface hdmi  
**Description:** 0.50mm (.020") Pitch HDMI\* Receptacle, Right Angle with Screw Flange, Front Solder Tab Length 1.45mm (.057"), Shell Nickel (Ni) Plated, with Back Cover, Tray Package, Lead Free

**Documents:**

[3D Model](#) [Product Specification PS-47152-001 \(PDF\)](#)  
[Drawing \(PDF\)](#) [RoHS Certificate of Compliance \(PDF\)](#)

**General**

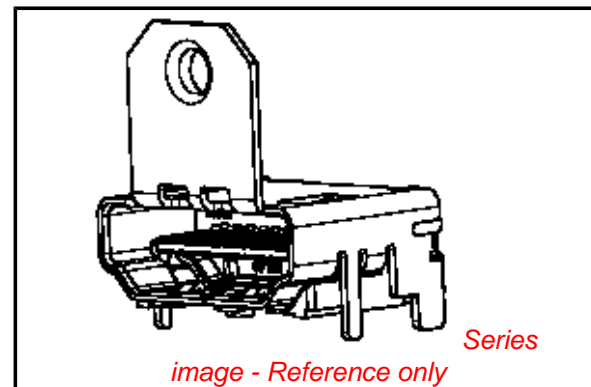
|                |   |
|----------------|---|
| Product Family | I/O Connectors  |
| Series         | <a href="#">47151</a>                                     |
| Application    | Wire-to-Board   |
| Component Type | Receptacle  |
| Overview       | <a href="#">high definition multimedia interface hdmi</a> |
| Product Name   | HDMI  |
| Type           | N/A   |

**Physical**

|                                |                |
|--------------------------------|----------------|
| Boot Color                     | N/A            |
| Circuits (Loaded)              | 19             |
| Color - Resin                  | Black          |
| Gender                         | Male           |
| Keying to Mating Part          | Yes            |
| Lock to Mating Part            | Yes            |
| Material - Metal               | Copper Alloy   |
| Material - Plating Mating      | Gold           |
| Material - Plating Termination | Tin-Bismuth    |
| Number of Rows                 | 2              |
| Orientation                    | Right Angle    |
| PCB Locator                    | No             |
| PCB Retention                  | Yes            |
| Packaging Type                 | Tray           |
| Panel Mount                    | With Flange    |
| Pitch - Mating Interface (in)  | 0.020 In       |
| Pitch - Mating Interface (mm)  | 0.50 mm        |
| Pitch - Term. Interface (in)   | 0.020 In       |
| Pitch - Term. Interface (mm)   | 0.50 mm        |
| Plating min: Mating (µin)      | 30             |
| Plating min: Mating (µm)       | 0.76           |
| Plating min: Termination (µin) | 40             |
| Plating min: Termination (µm)  | 1              |
| Polarized to Mating Part       | Yes            |
| Polarized to PCB               | Yes            |
| Ports                          | 1              |
| Temperature Range - Operating  | -20°C to +85°C |
| Termination Interface: Style   | Surface Mount  |
| Waterproof / Dustproof         | No             |
| Wire Size AWG                  | N/A            |

**Electrical**

|                               |        |
|-------------------------------|--------|
| Current - Maximum per Contact | .5A    |
| Shielded                      | Yes    |
| Voltage - Maximum             | 40V DC |



**EU RoHS**

**ELV and RoHS  
Compliant**  
**REACH SVHC**  
 Not Reviewed  
**Halogen-Free  
Status**

**China RoHS**



**Need more information on product  
environmental compliance?**

Email [productcompliance@molex.com](mailto:productcompliance@molex.com)  
 For a multiple part number RoHS Certificate of Compliance, [click here](#)

Please visit the [Contact Us](#) section for any non-product compliance questions.

**Search Parts in this Series**

[47151Series](#)

**Mates With**

[88768](#) HDMI cable assembly, [88764](#) HDMI Adapter, [88767](#) HDMI Adapter

**Solder Process Data**

Lead-free Process Capability  
Process Temperature max. C

Reflow Capable (SMT only)  
245

**Material Info****Reference - Drawing Numbers**

Packaging Specification  
Product Specification  
Sales Drawing

PK-47151-003  
PS-47152-001  
SD-47151-001

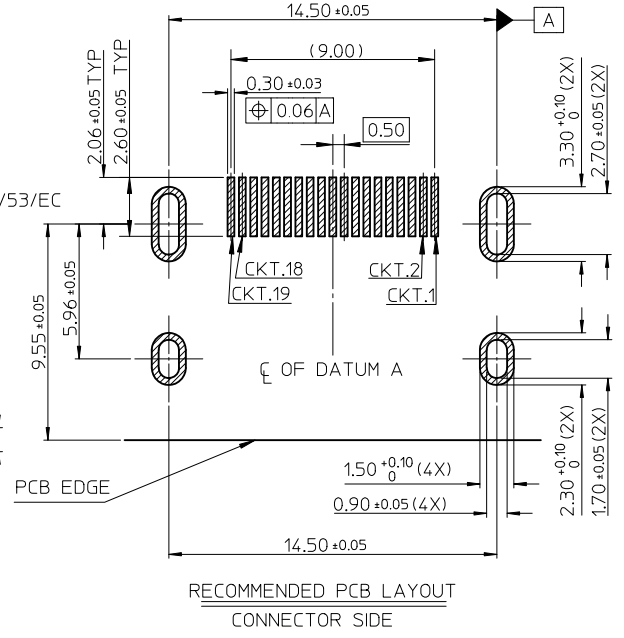
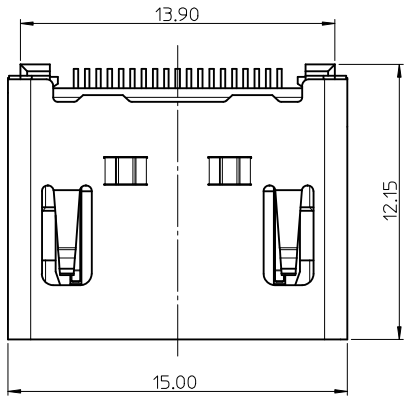
\* High Definition Multimedia Interface and HDMI are trademarks of HDMI Licensing, LLC.

This document was generated on 05/19/2010

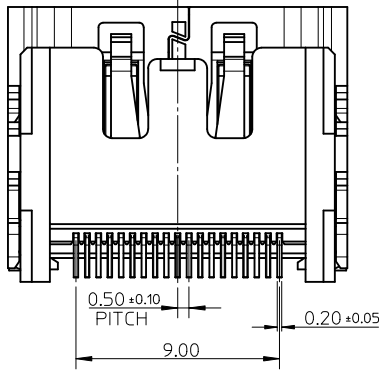
**PLEASE CHECK [WWW.MOLEX.COM](http://WWW.MOLEX.COM) FOR LATEST PART INFORMATION**

NOTES:

1. MATERIAL:  
HOUSING: THERMOPLASTIC . COLOR: SEE TABLE.  
SHELL: COPPER ALLOY.  
TERMINAL: COPPER ALLOY.
2. PLATING:  
TERMINAL:  
CONTACT AREA: (1) 0.76 MICROMETER MIN. GOLD PLATING.  
(2) 0.25 MICROMETER MIN. GOLD PLATING.  
(3) GOLD FLASH.  
(4) 0.375 MICROMETER MIN. GOLD PLATING.  
SOLDER AREA: 1 MICROMETER MIN. TIN-BISMUTH ALLOY PLATED.  
UNDER PLATE: 1.27 MICROMETER MIN. NICKEL.  
SHELL: (a) 1.27 MICROMETER MIN. SOLDERABLE NICKEL PLATE OVERALL.  
(b) GOLD FLASH PLATING OVER 1.27 MICROMETER MIN. NICKEL PLATING OVERALL.
3. COPLANARITY IS 0.1MM MAX.
4. PRODUCT SPECIFICATION REFER TO PS-47152-001.
5. PACKAGE SPECIFICATION FOR WITHOUT FLANGE REFER TO PK-47151-001.
6. PRODUCT COMPLIANT TO RoHS DEIRECTIVE 2002/95/EC AND ELV DIRECTIVE 2000/53/EC



RECOMMENDED PANEL CUT OUT DIMENSION



|  |   |   |         |                                   |                     |   |                              |                     |  |
|--|---|---|---------|-----------------------------------|---------------------|---|------------------------------|---------------------|--|
| <b>ADD PART NUMBER</b><br>EC NO: SH2010-0164<br>DRWN:XOZHANG 2009/10/20<br>CHKD:GLLI 2009/10/21<br>APPR:XJISONG 2009/11/30 | <b>QUALITY SYMBOLS</b><br>F=0<br>F=0<br>F=0 | <b>GENERAL TOLERANCES (UNLESS SPECIFIED)</b>  |         | <b>DIMENSION STYLE</b><br>MM ONLY | <b>SCALE</b><br>5:1 | <b>DESIGN UNITS</b><br>METRIC                                   | THIRD ANGLE PROJECTION       |                     |  |
|  |   | 4 PLACES ± --- ± ---<br>3 PLACES ± --- ± ---<br>2 PLACES ± 0.25 ± ---<br>1 PLACE ± 0.25 ± --- | mm INCH | DRAWN BY<br>RZHANG                | DATE<br>2004/07/20  | TITLE<br>1.0 HDMI RIGHT ANGLE HEADER ASSEMBLY(19 PIN) LEAD FREE |                              |                     |  |
|  |   | ANGULAR ± 3 °   |         | CHECKED BY<br>GRMA                | DATE<br>2004/07/20  | MOLEX INCORPORATED  |                              |                     |  |
|  |   | DRAFT WHERE APPLICABLE MUST REMAIN WITHIN DIMENSIONS  |         | APPROVED BY<br>YTYAP              | DATE<br>2004/07/20  | MATERIAL NO.<br>SEE SHEET 6                                     | DOCUMENT NO.<br>SD-47151-001 | SHEET NO.<br>1 OF 8 |  |

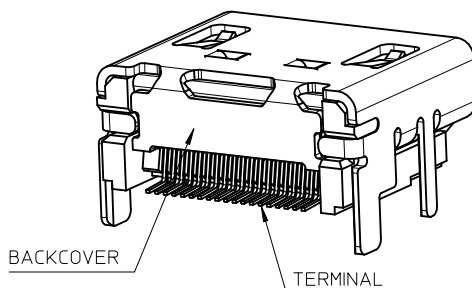
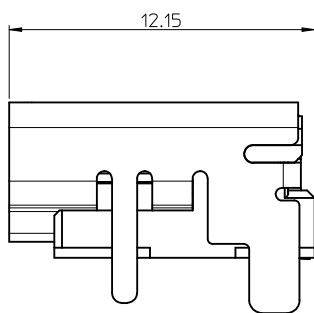
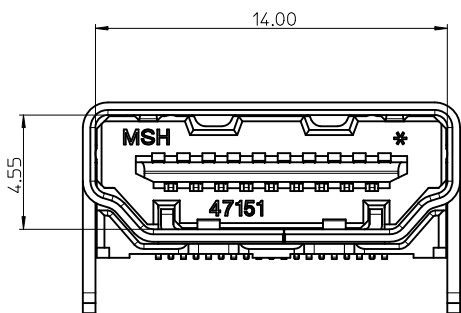


NOTES:

1. THE UNSPECIFIED DIMENSIONS REFER TO SHEET 1.
2. PACKAGE SPECIFICATION FOR WITH FLANGE REFER TO PK-47151-002.

|   |  |   |   |                      |                                   |   |                     |                               |                        |                                    |
|---|--|---|---|----------------------|-----------------------------------|---|---------------------|-------------------------------|------------------------|------------------------------------|
| SEE SHEET 1<br>EC NO: SH2010-0164<br>DRWN: XQZHANG<br>CHKD: GLLI<br>APPR: XJ SONG | 2009/10/20<br>2009/10/21<br>2009/11/30 | QUALITY SYMBOLS<br>$\nabla_A = 0$<br>$\nabla_C = 0$<br>$\nabla_P = 0$ | GENERAL TOLERANCES (UNLESS SPECIFIED)   |                      | DIMENSION STYLE<br><b>MM ONLY</b> |   | SCALE<br><b>5:1</b> | DESIGN UNITS<br><b>METRIC</b> | THIRD ANGLE PROJECTION |                                    |
|   |  |   | mm      INCH  | DRAWN BY<br>RZHANG   | DATE<br>2004/07/20                | TITLE<br><b>1.0 HDMI RIGHT ANGLE HEADER ASSEMBLY(19 PIN) LEAD FREE</b>  |                     |                               |                        |                                    |
|   |  |   | 4 PLACES ± --- ± ---<br>3 PLACES ± --- ± ---<br>2 PLACES ± 0.25 ± ---<br>1 PLACE ± 0.25 ± --- | CHECKED BY<br>GRMA   | DATE<br>2004/07/20                | <b>MOLEX INCORPORATED</b>   |                     |                               |                        |                                    |
|   |  |   | ANGULAR ± 3 °   | APPROVED BY<br>YTYAP | DATE<br>2004/07/20                |   |                     |                               |                        | MATERIAL NO.<br><b>SEE SHEET 6</b> |
|   |  |   | DRAFT WHERE APPLICABLE MUST REMAIN WITHIN DIMENSIONS  |                      | SIZE<br><b>A3</b>                 | THIS DRAWING CONTAINS INFORMATION THAT IS PROPRIETARY TO MOLEX INCORPORATED AND SHOULD NOT BE USED WITHOUT WRITTEN PERMISSION |                     |                               |                        |                                    |

WITH BACK COVER



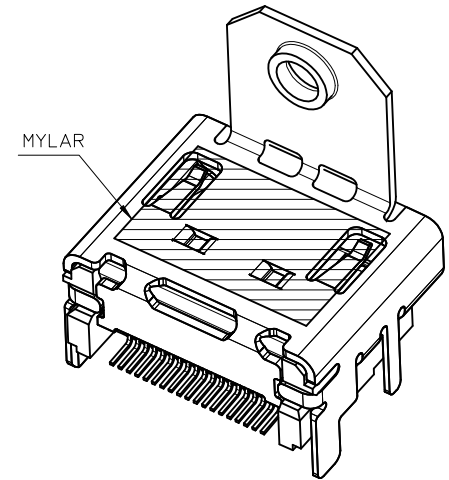
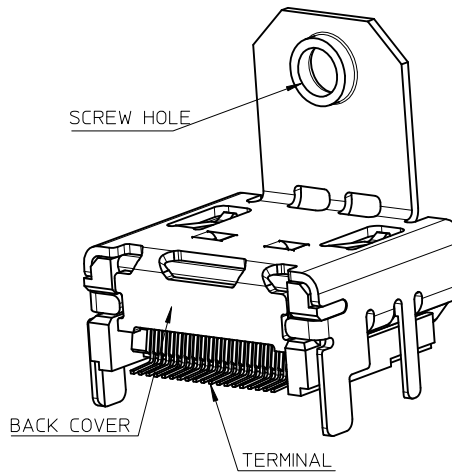
NOTES:

1. THE UNSPECIFIED DIMENSIONS REFER TO 47151-0001.
2. PACKAGE SPECIFICATION FOR WITHOUT FLANGE REFER TO PK-47151-001.

THIS IS ONLY FOR 47151-1061/1071/1081

|  |  |                    |   |   |                           |                  |              |  |  |   |
|--|--|--------------------|---|---|---------------------------|------------------|--------------|--|--|---|
| SEE SHEET 1<br>EC NO: SH2010-0164<br>DRWN: XQZHANG<br>CHKD: GLLI<br>APPR: XJSONG | 2009/10/20<br>2009/10/21<br>2009/11/30 | DESCRIPTION<br>REV | QUALITY SYMBOLS   | GENERAL TOLERANCES (UNLESS SPECIFIED)   | DIMENSION STYLE           | SCALE            | DESIGN UNITS | THIRD ANGLE PROJECTION   |  |   |
|  |  |                    | $\nabla_A = 0$<br>$\nabla_B = 0$<br>$\nabla_C = 0$  | mm INCH<br>4 PLACES ± --- ± ---<br>3 PLACES ± --- ± ---<br>2 PLACES ± 0.25 ± ---<br>1 PLACE ± 0.25 ± ---<br>ANGULAR ± 3 ° | MM ONLY                   | 5:1              | METRIC       | DRAWN BY: RZHANG<br>CHECKED BY: GRMA<br>APPROVED BY: YTYAP<br>MATERIAL NO. | DATE: 2004/07/20<br>DATE: 2004/07/20<br>DATE: 2004/07/20 | TITLE: 1.0 HDMI RIGHT ANGLE HEADER ASSEMBLY(19 PIN) LEAD FREE<br>MOLEX INCORPORATED |
|  |  |                    | DRAFT WHERE APPLICABLE MUST REMAIN WITHIN DIMENSIONS  | SEE SHEET 7   | DOCUMENT NO. SD-47151-001 | SHEET NO. 3 OF 8 |              |  |  |   |
|  |  |                    | THIS DRAWING CONTAINS INFORMATION THAT IS PROPRIETARY TO MOLEX INCORPORATED AND SHOULD NOT BE USED WITHOUT WRITTEN PERMISSION |   |                           |                  |              |  |  |   |

WITH BACK COVER



THIS IS ONLY FOR  
47151-1025/1075/1085/6022/6032/1026/2062

NOTES:

1. THE UNSPECIFIED DIMENSIONS REFER TO 47151-0002.
2. PACKAGE SPECIFICATION FOR WITH FLANGE:  
 OPTION 1: 47151-1026/2062/6032 REFER TO PK-47151-005.  
 OPTION 2: 47151-1102 REFER TO PK-47151-003.  
 OPTION 3: OTHER PART NUMBER REFER TO PK-47151-002.

|  |  |                    |  |   |                              |   |                                    |  |                  |                  |                  |
|--|--|--------------------|--|---|------------------------------|---|------------------------------------|--|------------------|------------------|------------------|
| SEE SHEET 1<br>EC NO: SH2010-0164<br>DRW: XQZHANG<br>CHK: GLLI<br>APPR: XJSONG | 2009/10/20<br>2009/10/21<br>2009/11/30 | DESCRIPTION<br>REV | QUALITY SYMBOLS  | GENERAL TOLERANCES (UNLESS SPECIFIED)   | DIMENSION STYLE              | SCALE   | DESIGN UNITS                       | THIRD ANGLE PROJECTION                                     |                  |                  |                  |
|  |  |                    | $\nabla_A = 0$<br>$\nabla_C = 0$<br>$\nabla_B = 0$         | mm INCH<br>4 PLACES ± --- ± ---<br>3 PLACES ± --- ± ---<br>2 PLACES ± 0.25 ± ---<br>1 PLACE ± 0.25 ± ---<br>ANGULAR ± 3 °     | MM ONLY                      | 5:1   | METRIC                             | DRAWN BY: RZHANG<br>CHECKED BY: GRMA<br>APPROVED BY: YTYAP | DATE: 2004/07/20 | DATE: 2004/07/20 | DATE: 2004/07/20 |
|  |  |                    | DRAFT WHERE APPLICABLE<br>MUST REMAIN<br>WITHIN DIMENSIONS | SEE SHEET 8   | MATERIAL NO.<br>DOCUMENT NO. | TITLE<br>1.0 HDMI RIGHT ANGLE<br>HEADER ASSEMBLY(19 PIN)<br>LEAD FREE | MOLEX INCORPORATED<br>SD-47151-001 | SHEET NO.<br>4 OF 8  |                  |                  |                  |
|  |  |                    | SIZE<br>A3   | THIS DRAWING CONTAINS INFORMATION THAT IS PROPRIETARY TO MOLEX INCORPORATED AND SHOULD NOT BE USED WITHOUT WRITTEN PERMISSION |                              |   |                                    |  |                  |                  |                  |



WITHOUT TOP HOLE



- NOTES:
1. THE UNSPECIFIED DIMENSIONS REFER TO 47151-1102.
  2. PACKAGE SPECIFICATION FOR WITH FLANGE REFER TO PK-47151-002.

|   |  |                    |  |  |   |                  |              |  |  |  |
|---|--|--------------------|--|--|---|------------------|--------------|--|--|--|
| SEE SHEET 1<br>IEC NO: SH2010-0164<br>DRWN:XOZHANG<br>CH'KD:GLL<br>APPR:XJ.SONG | 2009/10/20<br>2009/10/21<br>2009/11/30 | DESCRIPTION<br>REV | QUALITY SYMBOLS                                      | GENERAL TOLERANCES (UNLESS SPECIFIED)  | DIMENSION STYLE   | SCALE            | DESIGN UNITS | THIRD ANGLE PROJECTION   |  |  |
|   |  |                    | $\nabla_F = 0$<br>$\nabla_E = 0$<br>$\nabla_A = 0$   | mm    INCH<br>4 PLACES ± --- ± ---<br>3 PLACES ± --- ± ---<br>2 PLACES ± 0.25 ± ---<br>1 PLACE ± 0.25 ± ---<br>ANGULAR ± 3 ° | MM ONLY   | 5:1              | METRIC       | DRAWN BY: RZHANG<br>CHECKED BY: GRMA<br>APPROVED BY: YTYAP<br>MATERIAL NO. | DATE: 2004/07/20<br>DATE: 2004/07/20<br>DATE: 2004/07/20 | TITLE: 1.0 HDMI RIGHT ANGLE HEADER ASSEMBLY(19 PIN) LEAD FREE<br>MOLEX INCORPORATED<br>DOCUMENT NO. SD-47151-001 |
|   |  |                    | DRAFT WHERE APPLICABLE MUST REMAIN WITHIN DIMENSIONS | SEE SHEET 7  | SIZE: A3<br>THIS DRAWING CONTAINS INFORMATION THAT IS PROPRIETARY TO MOLEX INCORPORATED AND SHOULD NOT BE USED WITHOUT WRITTEN PERMISSION | SHEET NO. 5 OF 8 |              |  |  |  |

| ASSEMBLY P/N | DIMENSION |       |          |       |       | FEATURE |            |           |       | HOUSING COLOUR | GOLD PLATING IN CONTACT AREA | SHELL PLATING  | REMARK      |
|--------------|-----------|-------|----------|-------|-------|---------|------------|-----------|-------|----------------|------------------------------|----------------|-------------|
|              | DIM A     | DIM B | DIM C    | DIM D | DIM E | FLANGE  | BACK COVER | TOP HOLES | MYLAR |                |                              |                |             |
| 47151-0001   | 1.80      | 2.20  | /        | /     | /     | W/O     | W/O        | WITH      | W/O   | BLACK          | SEE NOTE 2 (1)               | SEE NOTE 2 (a) | FOR SHEET 1 |
| 47151-0041   |           |       |          |       |       |         |            |           |       |                |                              |                |             |
| 47151-0051   |           |       |          |       |       |         |            |           |       |                |                              |                |             |
| 47151-0011   |           |       |          |       |       |         |            |           |       |                |                              |                |             |
| 47151-0071   |           |       |          |       |       |         |            |           |       |                |                              |                |             |
| 47151-0061   |           |       |          |       |       |         |            |           |       |                |                              |                |             |
| 47151-0021   |           |       |          |       |       |         |            |           |       |                |                              |                |             |
| 47151-0031   |           |       |          |       |       |         |            |           |       |                |                              |                |             |
| 47151-0101   | 1.45      | 1.45  | /        | /     | /     | W/O     | W/O        | WITH      | W/O   | BLACK          | SEE NOTE 2 (1)               | SEE NOTE 2 (a) | FOR SHEET 1 |
| 47151-0141   |           |       |          |       |       |         |            |           |       |                |                              |                |             |
| 47151-0151   |           |       |          |       |       |         |            |           |       |                |                              |                |             |
| 47151-0111   |           |       |          |       |       |         |            |           |       |                |                              |                |             |
| 47151-0181   |           |       |          |       |       |         |            |           |       |                |                              |                |             |
| 47151-0161   |           |       |          |       |       |         |            |           |       |                |                              |                |             |
| 47151-0121   |           |       |          |       |       |         |            |           |       |                |                              |                |             |
| 47151-0131   |           |       |          |       |       |         |            |           |       |                |                              |                |             |
| 47151-0002   | 1.80      | 2.20  | M3.0x0.5 | 16.08 | 13.38 | WITH    | W/O        | WITH      | W/O   | BLACK          | SEE NOTE 2 (1)               | SEE NOTE 2 (a) | FOR SHEET 2 |
| 47151-0042   |           |       |          |       |       |         |            |           |       |                |                              |                |             |
| 47151-0062   |           |       |          |       |       |         |            |           |       |                |                              |                |             |
| 47151-0012   |           |       |          |       |       |         |            |           |       |                |                              |                |             |
| 47151-0052   |           |       |          |       |       |         |            |           |       |                |                              |                |             |
| 47151-0072   |           |       |          |       |       |         |            |           |       |                |                              |                |             |
| 47151-0022   |           |       |          |       |       |         |            |           |       |                |                              |                |             |
| 47151-0032   |           |       |          |       |       |         |            |           |       |                |                              |                |             |
| 47151-0102   | 1.45      | 1.45  | M3.0x0.5 | 16.08 | 13.38 | WITH    | W/O        | WITH      | W/O   | BLACK          | SEE NOTE 2 (1)               | SEE NOTE 2 (a) | FOR SHEET 2 |
| 47151-0142   |           |       |          |       |       |         |            |           |       |                |                              |                |             |
| 47151-0162   |           |       |          |       |       |         |            |           |       |                |                              |                |             |
| 47151-0112   |           |       |          |       |       |         |            |           |       |                |                              |                |             |
| 47151-0152   |           |       |          |       |       |         |            |           |       |                |                              |                |             |
| 47151-0172   |           |       |          |       |       |         |            |           |       |                |                              |                |             |
| 47151-0122   |           |       |          |       |       |         |            |           |       |                |                              |                |             |
| 47151-0132   |           |       |          |       |       |         |            |           |       |                |                              |                |             |
| 47151-6002   | 1.80      | 2.20  | M3.0x0.5 | 14.25 | 11.28 | WITH    | W/O        | WITH      | W/O   | BLACK          | SEE NOTE 2 (1)               | SEE NOTE 2 (a) |             |
| 47151-6062   |           |       |          |       |       |         |            |           |       |                |                              |                |             |
| 47151-6082   |           |       |          |       |       |         |            |           |       |                |                              |                |             |
| 47151-6102   | 1.45      | 1.45  | M3.0x0.5 | 14.25 | 11.28 | WITH    | W/O        | WITH      | W/O   | BLACK          | SEE NOTE 2 (1)               | SEE NOTE 2 (a) |             |
| 47151-6172   |           |       |          |       |       |         |            |           |       |                |                              |                |             |
| 47151-6162   |           |       |          |       |       |         |            |           |       |                |                              |                |             |

|  |  |  |         |                                   |                    |  |                               |   |  |
|--|--|--|---------|-----------------------------------|--------------------|--|-------------------------------|---|--|
| <b>SEE SHEET 1</b><br>EC NO: SH2010-0164<br>DRWN:XOZHANG<br>CHKD:GLL<br>APPR:XJ.SONG | QUALITY SYMBOLS<br>$F_A=0$<br>$F_C=0$<br>$F_P=0$ | GENERAL TOLERANCES (UNLESS SPECIFIED)                |         | DIMENSION STYLE<br><b>MM ONLY</b> |                    | SCALE<br><b>1:1</b>  | DESIGN UNITS<br><b>METRIC</b> | THIRD ANGLE PROJECTION  |  |
|  |  | 4 PLACES ± --- ± ---                                 | mm INCH | DRAWN BY<br>RZHANG                | DATE<br>2004/07/20 | TITLE<br><b>1.0 HDMI RIGHT ANGLE HEADER ASSEMBLY(19 PIN) LEAD FREE</b> |                               |   |  |
|  |  | 3 PLACES ± --- ± ---                                 |         | CHECKED BY<br>GRMA                | DATE<br>2004/07/20 | MOLEX INCORPORATED   |                               |   |  |
|  |  | 2 PLACES ± 0.25 ± ---<br>1 PLACE ± 0.25 ± ---        |         | APPROVED BY<br>YTYAP              | DATE<br>2004/07/20 | DOCUMENT NO.<br>SD-47151-001   |                               |   |  |
| ANGULAR ± 3 °  |  | DRAFT WHERE APPLICABLE MUST REMAIN WITHIN DIMENSIONS |         | MATERIAL NO.<br><b>SEE TABLE</b>  |                    | SHEET NO.<br>6 OF 8  |                               | THIS DRAWING CONTAINS INFORMATION THAT IS PROPRIETARY TO MOLEX INCORPORATED AND SHOULD NOT BE USED WITHOUT WRITTEN PERMISSION |  |



| ASSEMBLY P/N | DIMENSION |       |          |       |       | FEATURE |            |           |       | HOUSING COLOUR | GOLD PLATING IN CONTACT AREA   | SHELL PLATING  | REMARK      |
|--------------|-----------|-------|----------|-------|-------|---------|------------|-----------|-------|----------------|--|----------------|-------------|
|              | DIM A     | DIM B | DIM C    | DIM D | DIM E | FLANGE  | BACK COVER | TOP HOLES | MYLAR |                |  |                |             |
| 47151-1001   | 1.80      | 2.20  | /        | /     | /     | W/O     | WITH       | WITH      | W/O   | BLACK          | SEE NOTE 2 (1)<br>SEE NOTE 2 (2)<br>SEE NOTE 2 (3)<br>SEE NOTE 2 (4) | SEE NOTE 2 (a) | FOR SHEET 3 |
| 47151-1041   |           |       |          |       |       |         |            |           |       |                |  |                |             |
| 47151-1051   |           |       |          |       |       |         |            |           |       |                |  |                |             |
| 47151-1003   |           |       |          |       |       |         |            |           |       |                |  |                |             |
| 47151-1061   |           |       |          |       |       |         |            |           |       |                |  |                |             |
| 47151-1071   |           |       |          |       |       |         |            |           |       |                |  |                |             |
| 47151-1081   |           |       |          |       |       |         |            |           |       |                |  |                |             |
| 47151-1011   |           |       |          |       |       |         |            |           |       |                |  |                |             |
| 47151-1211   |           |       |          |       |       |         |            |           |       |                |  |                |             |
| 47151-1311   |           |       |          |       |       |         |            |           |       |                |  |                |             |
| 47151-1021   |           |       |          |       |       |         |            |           |       |                |  |                |             |
| 47151-1091   |           |       |          |       |       |         |            |           |       |                |  |                |             |
| 47151-1031   |           |       |          |       |       |         |            |           |       |                |  |                |             |
| 47151-1101   |           |       |          |       |       |         |            |           |       |                |  |                |             |
| 47151-1141   |           |       |          |       |       |         |            |           |       |                |  |                |             |
| 47151-1151   |           |       |          |       |       |         |            |           |       |                |  |                |             |
| 47151-1111   |           |       |          |       |       |         |            |           |       |                |  |                |             |
| 47151-1161   |           |       |          |       |       |         |            |           |       |                |  |                |             |
| 47151-1171   |           |       |          |       |       |         |            |           |       |                |  |                |             |
| 47151-1121   |           |       |          |       |       |         |            |           |       |                |  |                |             |
| 47151-1131   |           |       |          |       |       |         |            |           |       |                |  |                |             |
| 47151-7102   | 1.45      | 1.45  | M3.0x0.5 | 16.08 | 13.38 | WITH    | WITH       | W/O       | W/O   | BLACK          | SEE NOTE 2 (1)<br>SEE NOTE 2 (2)<br>SEE NOTE 2 (3)                   | SEE NOTE 2 (a) | FOR SHEET 5 |
| 47151-7142   |           |       |          |       |       |         |            |           |       |                |  |                |             |
| 47151-7162   |           |       |          |       |       |         |            |           |       |                |  |                |             |

|  |   |   |              |                                   |                    |  |                               |                        |  |
|--|---|---|--------------|-----------------------------------|--------------------|--|-------------------------------|------------------------|--|
| <b>SEE SHEET 1</b><br>EC NO: SH2010-0164<br>DRWN: XZHANG 2009/10/20<br>CHKD: GLLI 2009/10/21<br>APPR: XJISONG 2009/11/30 | QUALITY SYMBOLS<br>$\nabla_A = 0$<br>$\nabla_B = 0$<br>$\nabla_C = 0$ | GENERAL TOLERANCES (UNLESS SPECIFIED)   |              | DIMENSION STYLE<br><b>MM ONLY</b> |                    | SCALE<br><b>1:1</b>  | DESIGN UNITS<br><b>METRIC</b> | THIRD ANGLE PROJECTION |  |
|  |   | 4 PLACES $\pm$ --- $\pm$ ---<br>3 PLACES $\pm$ --- $\pm$ ---<br>2 PLACES $\pm$ 0.25 $\pm$ ---<br>1 PLACE $\pm$ 0.25 $\pm$ --- | mm      INCH | DRAWN BY<br>RZHANG                | DATE<br>2004/07/20 | TITLE<br><b>1.0 HDMI RIGHT ANGLE HEADER ASSEMBLY(19 PIN) LEAD FREE</b> |                               |                        |  |
|  |   | ANGULAR $\pm$ 3 °   |              | CHECKED BY<br>GRMA                | DATE<br>2004/07/20 | MOLEX INCORPORATED   |                               |                        |  |
|  |   | DRAFT WHERE APPLICABLE MUST REMAIN WITHIN DIMENSIONS  |              | APPROVED BY<br>YTYAP              | DATE<br>2004/07/20 | MATERIAL NO.<br><b>SEE TABLE</b>                                       | DOCUMENT NO.<br>SD-47151-001  | SHEET NO.<br>7 OF 8    |  |

| ASSEMBLY P/N | DIMENSION |  |          |       |  | FEATURE |            |           |       | HOUSING COLOUR | GOLD PLATING IN CONTACT AREA   | SHELL PLATING  | REMARK      |                                  |  |        |                |      |      |     |       |
|--------------|-----------|--|----------|-------|--|---------|------------|-----------|-------|----------------|--|----------------|-------------|----------------------------------|--|--------|----------------|------|------|-----|-------|
|              | DIM A     | DIM B  | DIM C    | DIM D | DIM E  | FLANGE  | BACK COVER | TOP HOLES | MYLAR |                |  |                |             |                                  |  |        |                |      |      |     |       |
| 47151-1002   | 1.80      | 2.20   | M3.0x0.5 | 16.08 | 13.38  | WITH    | WITH       | WITH      | W/O   | BLACK          | SEE NOTE 2 (1)<br>SEE NOTE 2 (2)<br>SEE NOTE 2 (3)<br>SEE NOTE 2 (4) | SEE NOTE 2 (a) | FOR SHEET 4 |                                  |  |        |                |      |      |     |       |
| 47151-1042   |           |  |          |       |  |         |            |           |       |                |  |                |             |                                  |  |        |                |      |      |     |       |
| 47151-1052   |           |  |          |       |  |         |            |           |       |                |  |                |             |                                  |  |        |                |      |      |     |       |
| 47151-1062   |           |  |          |       |  |         |            |           |       |                |  |                |             |                                  |  |        |                |      |      |     |       |
| 47151-2062   |           |  |          |       |  |         |            |           |       |                |  |                |             |                                  |  |        |                |      |      |     |       |
| 47151-1012   |           |  |          |       |  |         |            |           | W/O   | NATURE         | SEE NOTE 2 (1)<br>SEE NOTE 2 (2)<br>SEE NOTE 2 (3)                   |                |             |                                  |  |        |                |      |      |     |       |
| 47151-1072   |           |  |          |       |  |         |            |           |       |                |  |                |             |                                  |  |        |                |      |      |     |       |
| 47151-1082   |           |  |          |       |  |         |            |           |       |                |  |                |             |                                  |  |        |                |      |      |     |       |
| 47151-1022   |           |  |          |       |  |         |            |           |       |                |  |                |             | BLACK                            | SEE NOTE 2 (1)                                     |        |                |      |      |     |       |
| 47151-1032   |           |  |          |       |  |         |            |           |       |                |  |                |             |                                  |  | NATURE | SEE NOTE 2 (1) |      |      |     |       |
| 47151-1102   | 1.45      | 1.45   | M3.0x0.5 | 16.08 | 13.38  | WITH    | WITH       | WITH      | W/O   | BLACK          | SEE NOTE 2 (1)<br>SEE NOTE 2 (2)<br>SEE NOTE 2 (3)<br>SEE NOTE 2 (1) | SEE NOTE 2 (a) |             |                                  |  |        |                |      |      |     |       |
| 47151-1142   |           |  |          |       |  |         |            |           |       |                |  |                |             |                                  |  |        |                |      |      |     |       |
| 47151-1152   |           |  |          |       |  |         |            |           |       |                |  |                |             |                                  |  |        |                |      |      |     |       |
| 47151-1112   |           |  |          |       |  |         |            |           |       |                |  |                |             |                                  |  |        |                |      |      |     |       |
| 47151-1162   |           |  |          |       |  |         |            |           |       |                |  |                | NATURE      | SEE NOTE 2 (2)<br>SEE NOTE 2 (3) |  |        |                |      |      |     |       |
| 47151-1172   |           |  |          |       |  |         |            |           |       |                |  |                |             |                                  |  |        |                |      |      |     |       |
| 47151-1122   |           |  |          |       |  |         |            |           | BLACK | SEE NOTE 2 (1) |  |                |             |                                  |  |        |                |      |      |     |       |
| 47151-1132   |           |  |          |       |  |         |            |           |       |                | NATURE   |                |             |                                  | SEE NOTE 2 (1)                                     |        |                |      |      |     |       |
| 47151-1005   |           |  |          |       |  |         |            |           | 1.80  | 2.20           | 4-40   |                |             |                                  | 16.08  | 13.38  | WITH           | WITH | WITH | W/O | BLACK |
| 47151-1045   |           |  |          |       |  |         |            |           |       |                |  |                |             |                                  |  |        |                |      |      |     |       |
| 47151-1065   |           |  |          |       |  |         |            |           |       |                |  |                |             |                                  |  |        |                |      |      |     |       |
| 47151-1015   |           |  |          |       |  |         |            |           |       |                |  |                |             |                                  |  |        |                |      |      |     |       |
| 47151-1035   | NATURE    | SEE NOTE 2 (1)<br>SEE NOTE 2 (2)<br>SEE NOTE 2 (3) |          |       |  |         |            |           |       |                |  |                |             |                                  |  |        |                |      |      |     |       |
| 47151-1055   |           |  |          |       |  |         |            |           |       |                |  |                |             |                                  |  |        |                |      |      |     |       |
| 47151-1025   |           |  | WITH     | BLACK | SEE NOTE 2 (1)<br>SEE NOTE 2 (2)<br>SEE NOTE 2 (3) |         |            |           |       |                |  |                |             |                                  |  |        |                |      |      |     |       |
| 47151-1075   |           |  |          |       |  |         |            |           |       |                |  |                |             |                                  |  |        |                |      |      |     |       |
| 47151-1085   |           |  | W/O      | BLACK | SEE NOTE 2 (1)<br>SEE NOTE 2 (2)<br>SEE NOTE 2 (3) |         |            |           |       |                |  |                |             |                                  |  |        |                |      |      |     |       |
| 47151-1026   |           |  |          |       |  |         |            |           |       |                |  |                |             |                                  |  |        |                |      |      |     |       |
| 47151-6012   | 1.80      | 2.20   | M3.0x0.5 | 14.25 | 11.28  | WITH    | WITH       | WITH      | W/O   | BLACK          | SEE NOTE 2 (1)<br>SEE NOTE 2 (2)<br>SEE NOTE 2 (3)                   | SEE NOTE 2 (a) |             |                                  |  |        |                |      |      |     |       |
| 47151-6042   |           |  |          |       |  |         |            |           |       |                |  |                |             |                                  |  |        |                |      |      |     |       |
| 47151-6052   |           |  |          |       |  |         |            |           |       |                |  |                |             |                                  |  |        |                |      |      |     |       |
| 47151-6022   |           |  |          |       |  |         |            |           |       |                |  |                | WITH        | BLACK                            | SEE NOTE 2 (1)<br>SEE NOTE 2 (2)<br>SEE NOTE 2 (3) |        |                |      |      |     |       |
| 47151-6032   |           |  |          |       |  |         |            |           |       |                |  |                |             |                                  |  |        |                |      |      |     |       |
| 47151-6112   |           |  |          |       |  |         |            |           | W/O   | BLACK          | SEE NOTE 2 (1)<br>SEE NOTE 2 (2)<br>SEE NOTE 2 (3)                   |                |             |                                  |  |        |                |      |      |     |       |
| 47151-6142   |           |  |          |       |  |         |            |           |       |                |  |                |             |                                  |  |        |                |      |      |     |       |
| 47151-6152   |           |  |          |       |  |         |            |           |       |                |  |                |             |                                  |  |        |                |      |      |     |       |

|   |   |   |              |                                   |                     |  |                              |                     |  |
|---|---|---|--------------|-----------------------------------|---------------------|--|------------------------------|---------------------|--|
| <b>SEE SHEET 1</b><br>EC NO: SH2010-0164<br>DRWN: XZHZHANG 2009/10/20<br>CH'KD: GLLI 2009/10/21<br>APPR: XJJSONG 2009/11/30 | QUALITY SYMBOLS<br>$\nabla_A = 0$<br>$\nabla_B = 0$<br>$\nabla_C = 0$ | GENERAL TOLERANCES (UNLESS SPECIFIED)   |              | DIMENSION STYLE<br><b>MM ONLY</b> | SCALE<br><b>1:1</b> | DESIGN UNITS<br><b>METRIC</b>  | THIRD ANGLE PROJECTION       |                     |  |
|   |   | 4 PLACES $\pm$ --- $\pm$ ---<br>3 PLACES $\pm$ --- $\pm$ ---<br>2 PLACES $\pm$ 0.25 $\pm$ ---<br>1 PLACE $\pm$ 0.25 $\pm$ --- | mm      INCH | DRAWN BY<br>RZHANG                | DATE<br>2004/07/20  | TITLE<br><b>1.0 HDMI RIGHT ANGLE HEADER ASSEMBLY(19 PIN) LEAD FREE</b> |                              |                     |  |
|   |   | ANGULAR $\pm$ 3 °   |              | CHECKED BY<br>GRMA                | DATE<br>2004/07/20  | MOLEX INCORPORATED   |                              |                     |  |
|   |   | DRAFT WHERE APPLICABLE MUST REMAIN WITHIN DIMENSIONS  |              | APPROVED BY<br>YTYAP              | DATE<br>2004/07/20  | MATERIAL NO.<br><b>SEE TABLE</b>                                       | DOCUMENT NO.<br>SD-47151-001 | SHEET NO.<br>8 OF 8 |  |

Компания «Океан Электроники» предлагает заключение долгосрочных отношений при поставках импортных электронных компонентов на взаимовыгодных условиях!

Наши преимущества:

- Поставка оригинальных импортных электронных компонентов напрямую с производств Америки, Европы и Азии, а так же с крупнейших складов мира;
- Широкая линейка поставок активных и пассивных импортных электронных компонентов (более 30 млн. наименований);
- Поставка сложных, дефицитных, либо снятых с производства позиций;
- Оперативные сроки поставки под заказ (от 5 рабочих дней);
- Экспресс доставка в любую точку России;
- Помощь Конструкторского Отдела и консультации квалифицированных инженеров;
- Техническая поддержка проекта, помощь в подборе аналогов, поставка прототипов;
- Поставка электронных компонентов под контролем ВП;
- Система менеджмента качества сертифицирована по Международному стандарту ISO 9001;
- При необходимости вся продукция военного и аэрокосмического назначения проходит испытания и сертификацию в лаборатории (по согласованию с заказчиком);
- Поставка специализированных компонентов военного и аэрокосмического уровня качества (Xilinx, Altera, Analog Devices, Intersil, Interpoint, Microsemi, Actel, Aeroflex, Peregrine, VPT, Syfer, Eurofarad, Texas Instruments, MS Kennedy, Miteq, Cobham, E2V, MA-COM, Hittite, Mini-Circuits, General Dynamics и др.);

Компания «Океан Электроники» является официальным дистрибьютором и эксклюзивным представителем в России одного из крупнейших производителей разъемов военного и аэрокосмического назначения «JONHON», а так же официальным дистрибьютором и эксклюзивным представителем в России производителя высокотехнологичных и надежных решений для передачи СВЧ сигналов «FORSTAR».



## JONHON

«JONHON» (основан в 1970 г.)

Разъемы специального, военного и аэрокосмического назначения:

(Применяются в военной, авиационной, аэрокосмической, морской, железнодорожной, горно- и нефтедобывающей отраслях промышленности)

«FORSTAR» (основан в 1998 г.)

ВЧ соединители, коаксиальные кабели, кабельные сборки и микроволновые компоненты:

(Применяются в телекоммуникациях гражданского и специального назначения, в средствах связи, РЛС, а так же военной, авиационной и аэрокосмической отраслях промышленности).



Телефон: 8 (812) 309-75-97 (многоканальный)

Факс: 8 (812) 320-03-32

Электронная почта: [ocean@oceanchips.ru](mailto:ocean@oceanchips.ru)

Web: <http://oceanchips.ru/>

Адрес: 198099, г. Санкт-Петербург, ул. Калинина, д. 2, корп. 4, лит. А