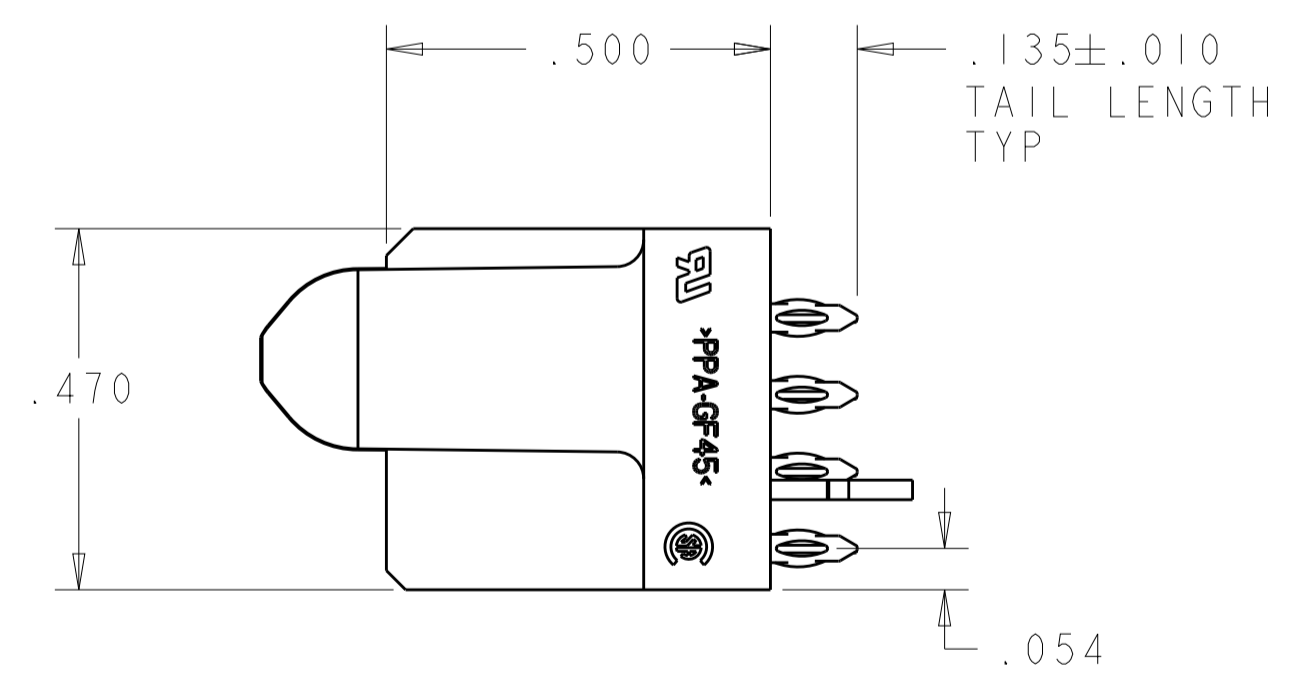
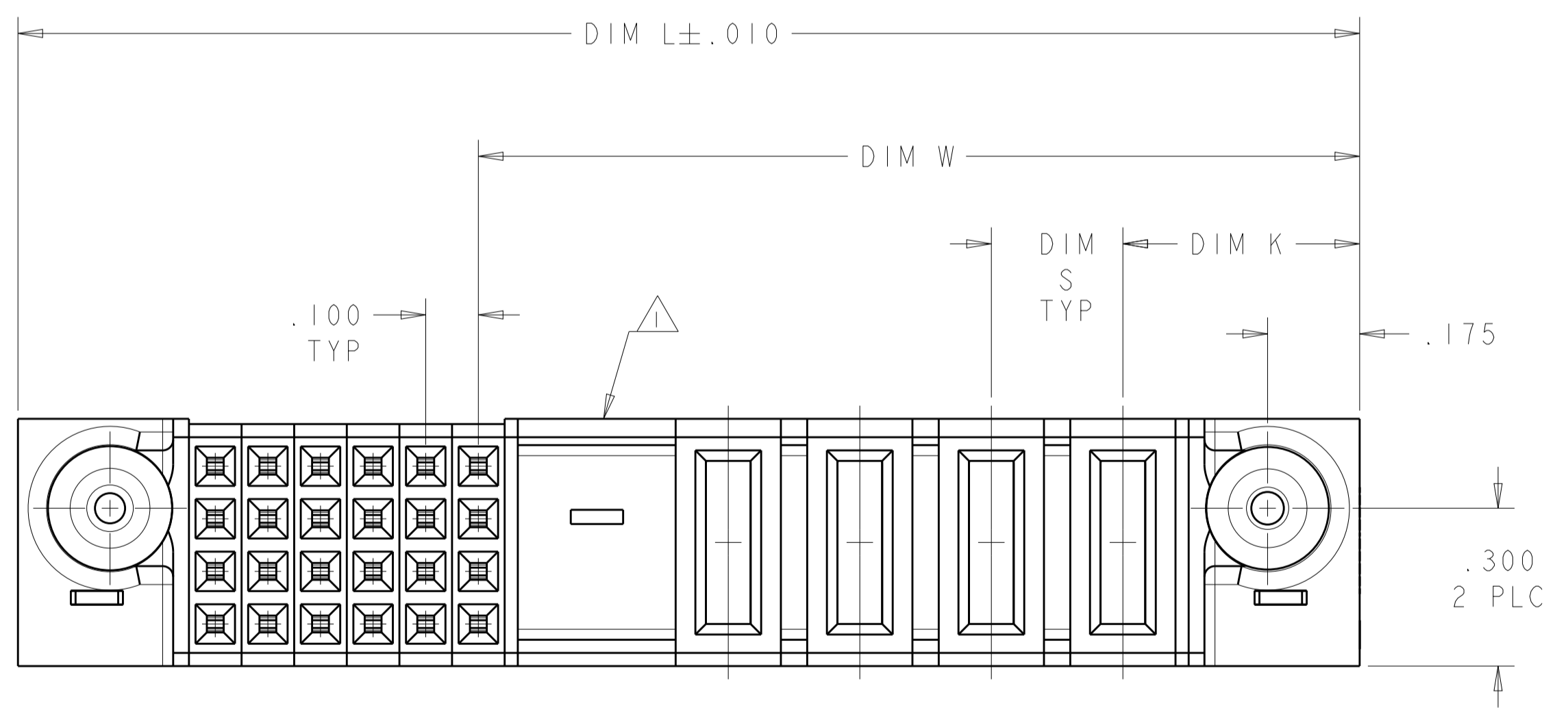
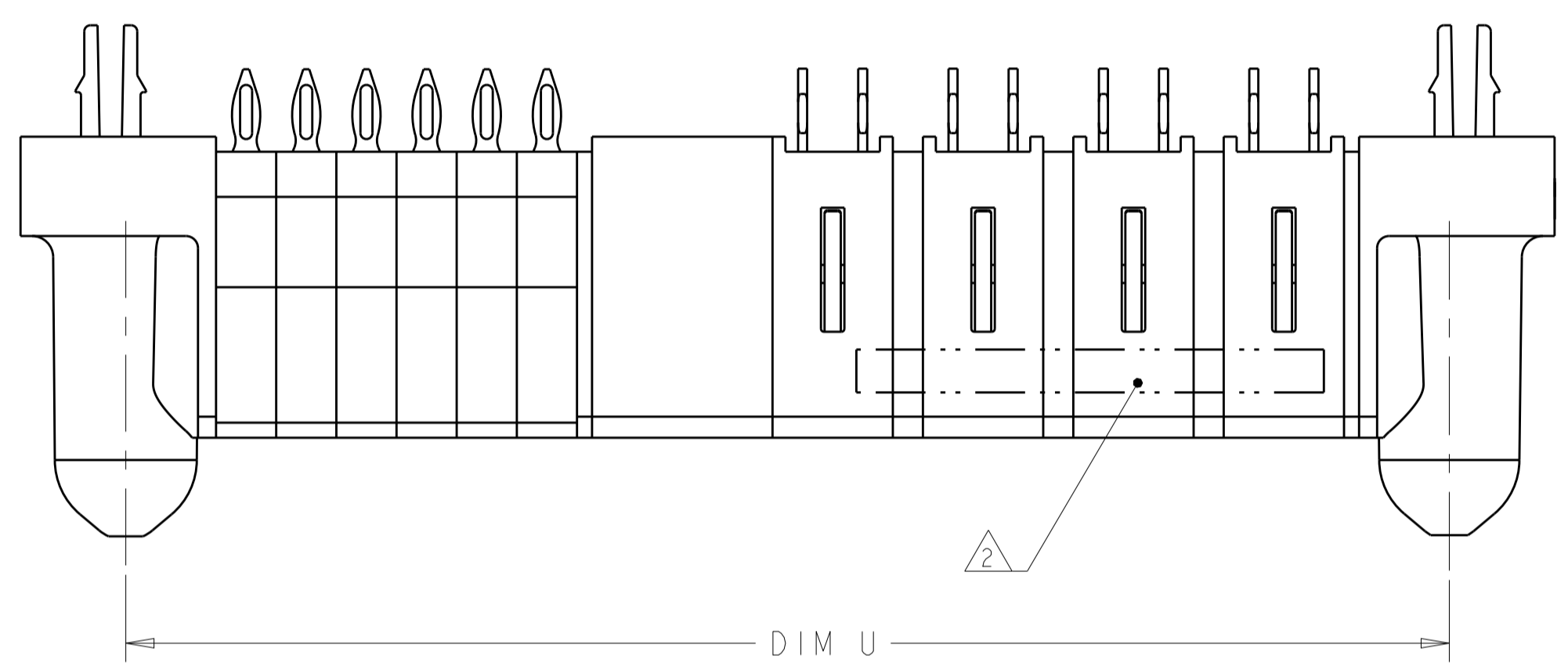
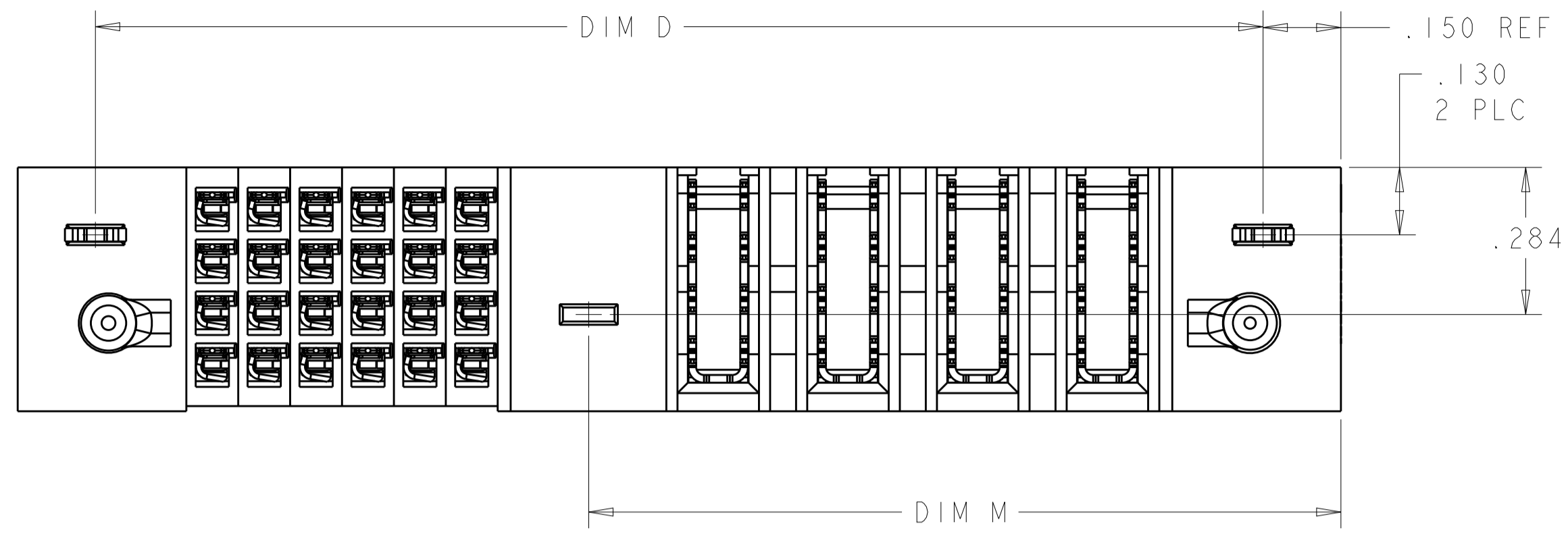


| LOC | DIST | REVISIONS | | | | | |
|-----|------|-----------|-----|--------------------------|-----------|-----|------|
| ES | 00 | P | LTN | DESCRIPTION | DATE | DWN | APVD |
| | | F2 | | REV PER ECR-11-021537 | 24OCT2011 | CZ | SZ |
| | | F3 | | ADDED THE DASH NUMBER -2 | 19JAN2012 | ML | SZ |
| | | F4 | | ADVISED | 19MAR2013 | ML | SZ |




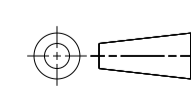
- 1 OPTIONAL CENTER MODULE, WITH Ø.150 THRU HOLE OR HOLD DOWN FEATURE
- 2 "AMP", PART NUMBER, AND DATE CODE TO BE MARKED IN AREA SHOWN, FAR SIDE
- 3 MATERIAL: HOUSING - GLASS FILLED HIGH TEMP THERMO PLASTIC, UL94 V-0
 SIGNAL CONTACT - HIGH CONDUCTIVITY COPPER ALLOY
 POWER CONTACT - HIGH CONDUCTIVITY COPPER ALLOY
- 4 CONTACT PLATING:
 NOBLE METAL PLATED ON THE CONTACT FUNCTIONAL AREA
 OF POWER AND SIGNAL CONTACTS.
- 5 MECHANICAL CONNECTOR KEEP OUT ZONE
- 6 DATUM AND BASIC DIMENSIONS ESTABLISHED BY CUSTOMER
- 7 PCB - ALL HOLE DIAMETERS ARE FINISHED HOLE SIZES
- 8 PCB - .0453 +/- .0010 DRILLED HOLES PLATED WITH .0003 MIN Sn
 OVER .001 TO .003 PLATING TO ACHIEVE A .040 DIA HOLE
- 9 VARIABLE DIMENSIONS SHOWN ON VIEW (SHEETS 4 AND 5).
- 10 NOT RELEASE FOR PRODUCTION.

| | | | | |
|----------------------------------------------------------------------------------------|--|--------------------------------------------------------------------------------------------------|--------------------|-----------------------------------------------------------------------------------------------------------|
| THIS DRAWING IS A CONTROLLED DOCUMENT. | | DWN R. GRZYBOWSKI CHK M. PERCHERKE | 24JAN05 24JAN05 | TE Connectivity NAME VERTICAL RECEPTACLE ASSEMBLY WITH GUIDES, PRESS FIT MULTI-BEAM XL |
| DIMENSIONS: INCHES | | TOLERANCES UNLESS OTHERWISE SPECIFIED: | | |
| 0 PLC ±. 1 PLC ±.01 2 PLC ±.01 3 PLC ±.005 4 PLC ±.0020 ANGLES ±.7° | | APVD M. PERCHERKE PRODUCT SPEC 108-1973 APPLICATION SPEC 114-13038 WEIGHT - | | SIZE A1 CAGE CODE 00779 DRAWING NO 6450552 |
| MATERIAL 3 | | FINISH 4 | | RESTRICTED TO CUSTOMER DRAWING SCALE 4:1 SHEET 1 OF 8 REV F5 |

THIS DRAWING IS UNPUBLISHED. RELEASED FOR PUBLICATION 20
 © COPYRIGHT 20 BY - ALL RIGHTS RESERVED.

| LOC | DIST | REVISIONS | | | | | |
|-----|------|-----------|-----|-------------|------|-----|------|
| ES | 00 | P | LTN | DESCRIPTION | DATE | DWN | APVD |
| | | - | | SEE SHEET 1 | | - | - |
| | | | | | | | |
| | | | | | | | |

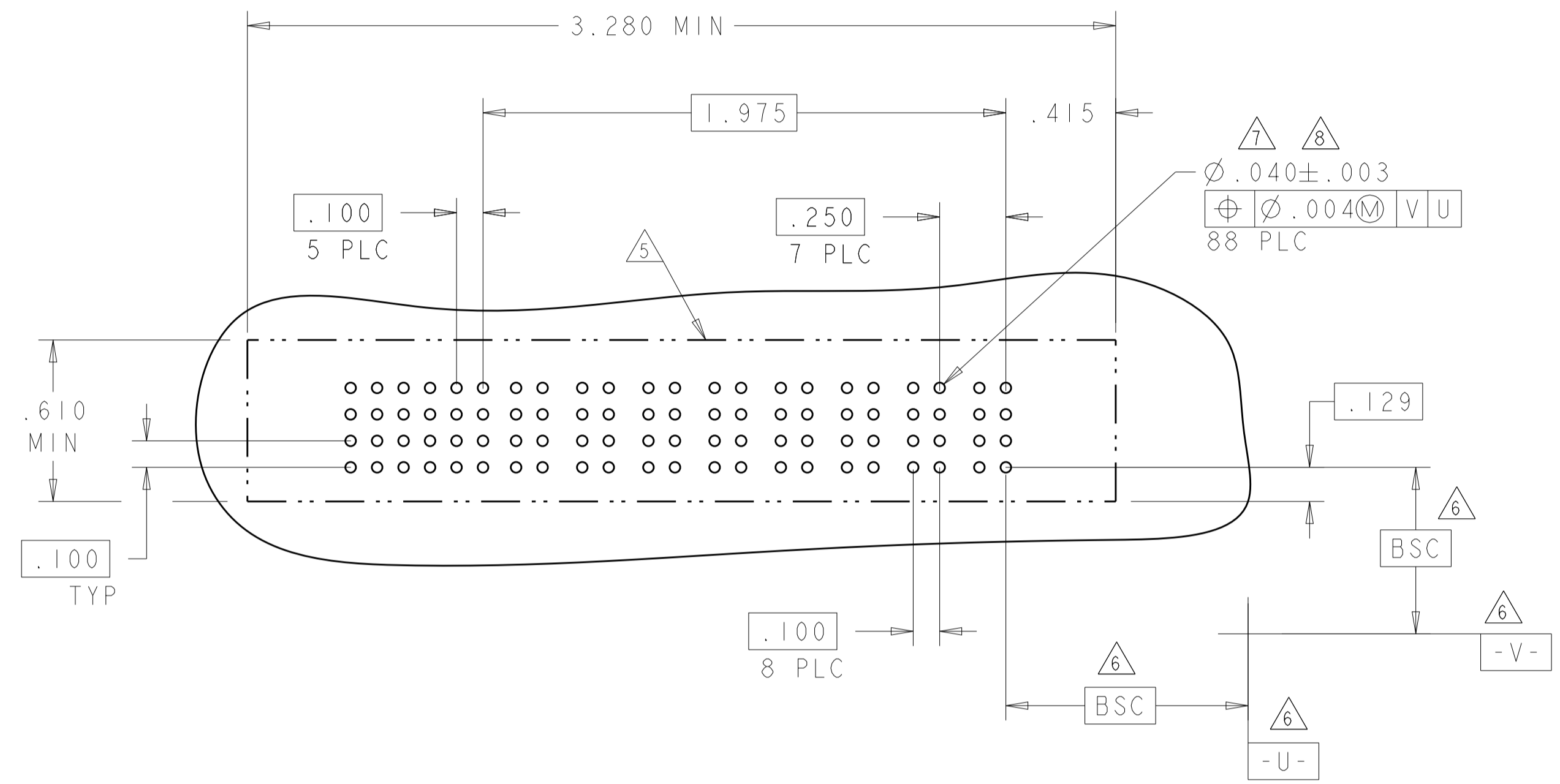
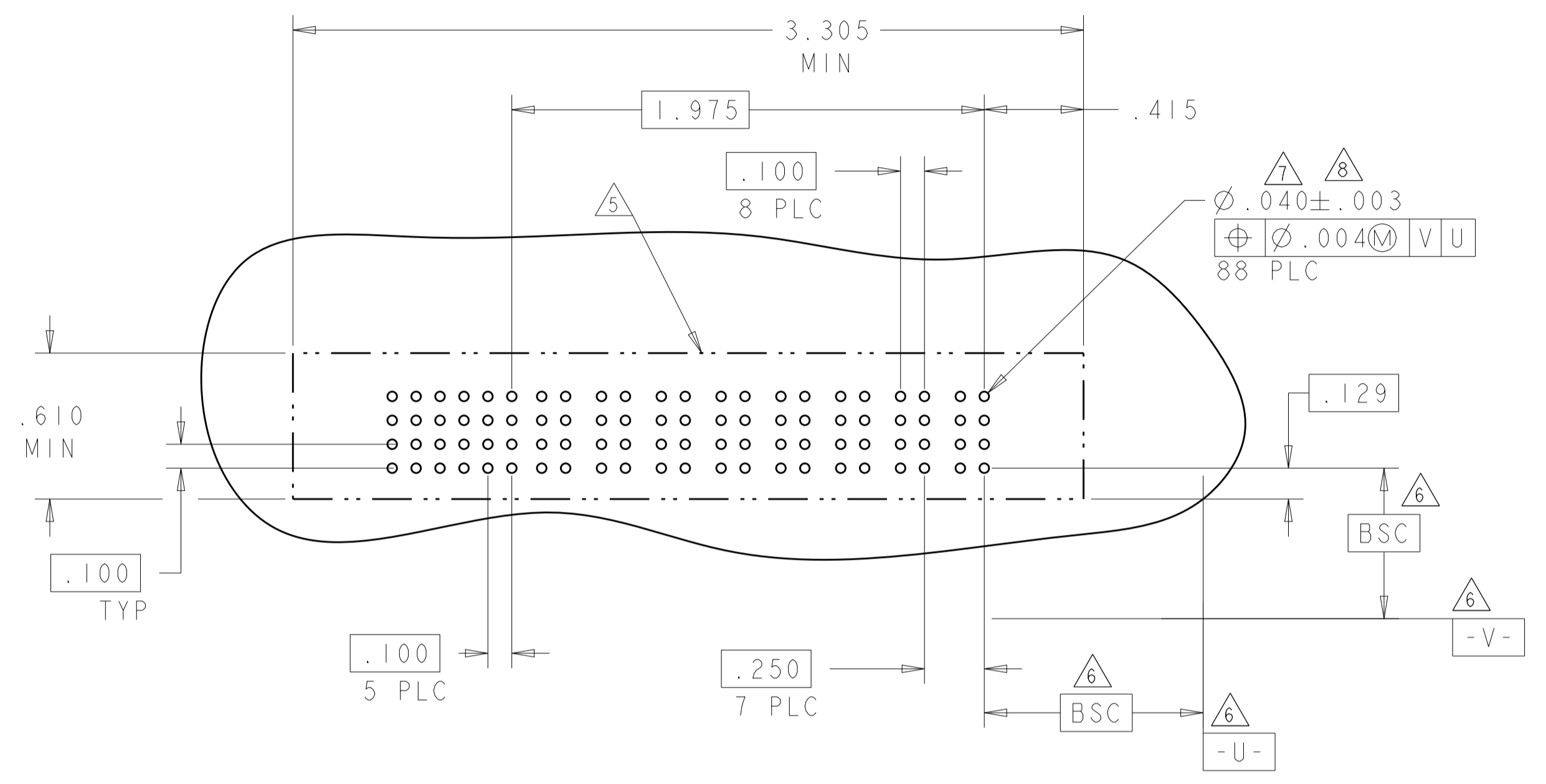
| | | | | | | | | | | |
|----|----------------|---|-------|-------|------|-------|-------|------|-----------------|-------------|
| F1 | NO | - | - | 1.900 | .250 | 1.375 | 2.250 | .450 | 4P + 24S | 2-6450552-0 |
| F | NO | - | - | 2.950 | .200 | 2.425 | 3.300 | .450 | 10HDP + 24S | 1-6450552-9 |
| F2 | YES | - | 1.900 | 1.850 | .250 | 1.825 | 2.200 | .450 | 7HDP + 4S | 1-6450552-8 |
| | NO | - | - | 4.600 | .250 | 3.875 | 4.950 | .450 | 14P + 32S | 1-6450552-2 |
| | NO | - | - | 5.100 | - | 2.375 | 5.450 | .450 | 8P + 112S | 1-6450552-0 |
| | NO | - | - | 3.800 | - | 3.175 | 4.150 | .450 | 12P + 28S | 6450552-9 |
| | NO | - | - | 2.275 | - | 1.750 | 2.625 | .450 | 5P + 24S | 6450552-8 |
| | NO | - | - | 2.825 | - | 2.300 | 3.175 | .475 | 3ACP + 4P + 24S | 6450552-7 |
| | NO | - | - | 2.900 | .250 | 2.375 | 3.250 | .450 | 8P + 24S | 6450552-6 |
| | NO | - | - | 3.225 | - | 2.675 | 3.575 | .525 | 3ACP + 6P + 24S | 6450552-5 |
| | NO | - | - | 2.900 | .250 | 2.375 | 3.250 | .450 | 8P + 24S | 6450552-4 |
| | NO | - | 3.150 | 3.100 | .250 | .875 | 3.450 | .450 | 2P + 92S | 6450552-2 |
| | NO | - | - | 2.925 | .250 | 2.375 | 3.275 | .450 | 8P + 24S | 6450552-1 |
| | RETENTION CLIP | M | D | U | S | W | L | K | DESCRIPTION | PART NUMBER |

| | | | | |
|---------------------------------------------------------------------------------------|--|------------------------------------------------------------------------------------------------------------------------------|--------------------|--------------------------------------------------------------------------------------------------------------|
| THIS DRAWING IS A CONTROLLED DOCUMENT. | | DWN R. GRZYBOWSKI CHK M. PERCHERKE | 24JAN05 24JAN05 |  TE Connectivity |
| DIMENSIONS: INCHES | | TOLERANCES UNLESS OTHERWISE SPECIFIED: 0 PLC ±. 1 PLC ±.01 2 PLC ±.01 3 PLC ±.005 4 PLC ±.0020 ANGLES ±.7° | | |
|  | | MATERIAL FINISH | | SIZE A100779 |
| CUSTOMER DRAWING | | WEIGHT | | CAGE CODE 6450552 |
| | | SCALE 4:1 | | SHEET 2 OF 8 REV F5 |

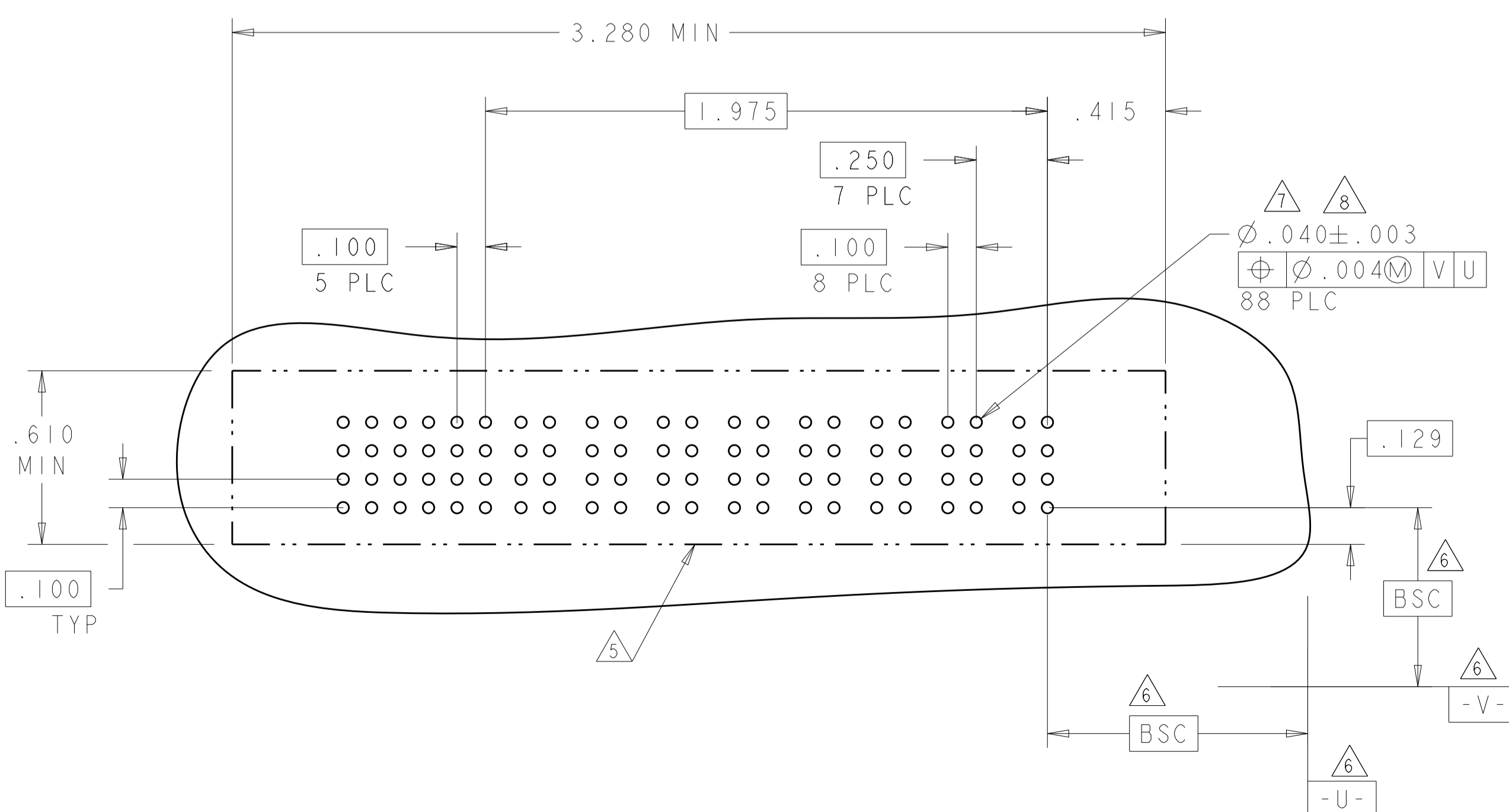
| LOC | | DIST | | REVISIONS | | | |
|-----|----|------|-----|-------------|------|-----|------|
| ES | 00 | P | LTN | DESCRIPTION | DATE | OWN | APVD |
| - | - | - | - | SEE SHEET 1 | - | - | - |

| ASSY PART NUMBER | ROWS | SIGNAL | | | | | | | | POWER | | | | | | | |
|------------------|------------------|--------|----|----|----|----|----|----|----|-------|----|----|----|----|----|--|--|
| | | 6 | 5 | 4 | 3 | 2 | 1 | P8 | P7 | P6 | P5 | P4 | P3 | P2 | P1 | | |
| 6450552-1 | D C B A | AP | AP | AP | AP | AP | AP | GP | GP | GP | GP | GS | GS | GS | GS | | |
| | | AP | AP | AP | AP | AP | AP | GP | GP | GP | GP | GS | GS | GS | GS | | |
| | | AP | AP | AP | AP | AP | AP | GP | GP | GP | GP | GS | GS | GS | GS | | |
| | | AP | AP | AP | AP | AP | AP | GP | GP | GP | GP | GS | GS | GS | GS | | |
| 8P + 24S | | | | | | | | | | | | | | | | | |

| PART NUMBER | ROWS | SIGNAL | | | | | | | | POWER | | | | | | | |
|-------------|------------------|--------|----|----|----|----|----|----|----|-------|----|----|----|----|----|--|--|
| | | 6 | 5 | 4 | 3 | 2 | 1 | P8 | P7 | P6 | P5 | P4 | P3 | P2 | P1 | | |
| 6450552-6 | D C B A | AP | AP | AP | AP | AP | AP | GS | GS | GP | GP | GP | GP | GS | GS | | |
| | | AP | AP | AP | AP | AP | AP | GS | GS | GP | GP | GP | GP | GS | GS | | |
| | | AP | AP | AP | AP | AP | AP | GS | GS | GP | GP | GP | GP | GS | GS | | |
| | | AP | AP | AP | AP | AP | AP | GS | GS | GP | GP | GP | GP | GS | GS | | |
| 8P + 24S | | | | | | | | | | | | | | | | | |



| PART NUMBER | ROWS | SIGNAL | | | | | | | | POWER | | | | | | | |
|-------------|------------------|--------|----|----|----|----|----|----|----|-------|----|----|----|----|----|--|--|
| | | 6 | 5 | 4 | 3 | 2 | 1 | P8 | P7 | P6 | P5 | P4 | P3 | P2 | P1 | | |
| 6450552-4 | D C B A | AP | AP | AP | AP | AP | AP | GP | GP | GP | GP | GS | GS | GS | GS | | |
| | | AP | AP | AP | AP | AP | AP | GP | GP | GP | GP | GS | GS | GS | GS | | |
| | | AP | AP | AP | AP | AP | AP | GP | GP | GP | GP | GS | GS | GS | GS | | |
| | | AP | AP | AP | AP | AP | AP | GP | GP | GP | GP | GS | GS | GS | GS | | |
| 8P + 24S | | | | | | | | | | | | | | | | | |



| CODE | TAIL LENGTH | DESCRIPTION | ROW |
|------|-------------|------------------------|---------|
| BP | .165 | SIGNAL PRESS FIT | A.B.C.D |
| AP | .135 | SIGNAL PRESS FIT | A.B.C.D |
| HP | .165 | POWER PRESS FIT (MFBL) | |
| HS | .165 | POWER PRESS FIT (STD) | |
| GP | .135 | POWER PRESS FIT (MFBL) | - |
| GS | .135 | POWER PRESS FIT (STD) | - |

CONTACT

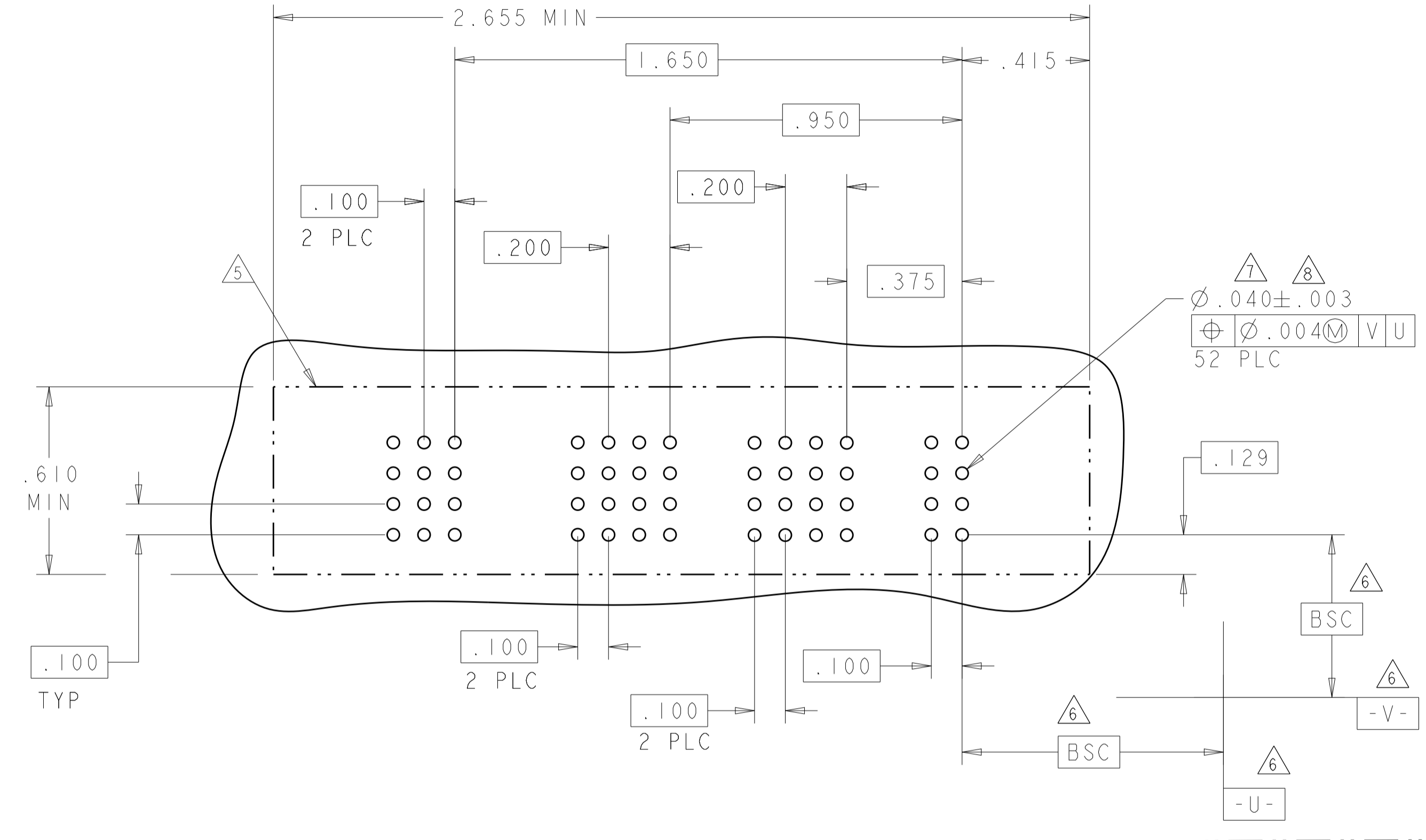
| | | | |
|------------------------------------------------------------------------------------|--|-----------------------------|--------------------------------------------------------------------------------------|
| THIS DRAWING IS A CONTROLLED DOCUMENT. | | OWN: R. GRZYBOWSKI 24JAN05 | TE Connectivity VERTICAL RECEPTACLE ASSEMBLY WITH GUIDES, PRESS FIT MULTI-BEAM XL |
| DIMENSIONS: INCHES | | CHK: M. PERCHERKE 24JAN05 | |
| TOLERANCES UNLESS OTHERWISE SPECIFIED: | | APVD: M. PERCHERKE | NAME: A100779 |
| 0 PLC ±. 1 PLC ±.01 2 PLC ±.01 3 PLC ±.005 4 PLC ±.002 ANGLES ±.020 | | PRODUCT SPEC: 108-1973 | SIZE: 114-13038 |
| MATERIAL: . | | APPLICATION SPEC: 114-13038 | RESTRICTED TO: - |
| FINISH: . | | WEIGHT: . | SCALE: 4:1 |
| CUSTOMER DRAWING | | DATE: 24JAN05 | SHEET 3 OF 8 |

| LOC | DIST | REV | DATE | BY | APPV |
|-----|------|-----|------|----|------|
| ES | 00 | | | | |

| REVISIONS | | | |
|-----------|-------------|------|----|
| NO. | DESCRIPTION | DATE | BY |
| - | SEE SHEET 1 | - | - |

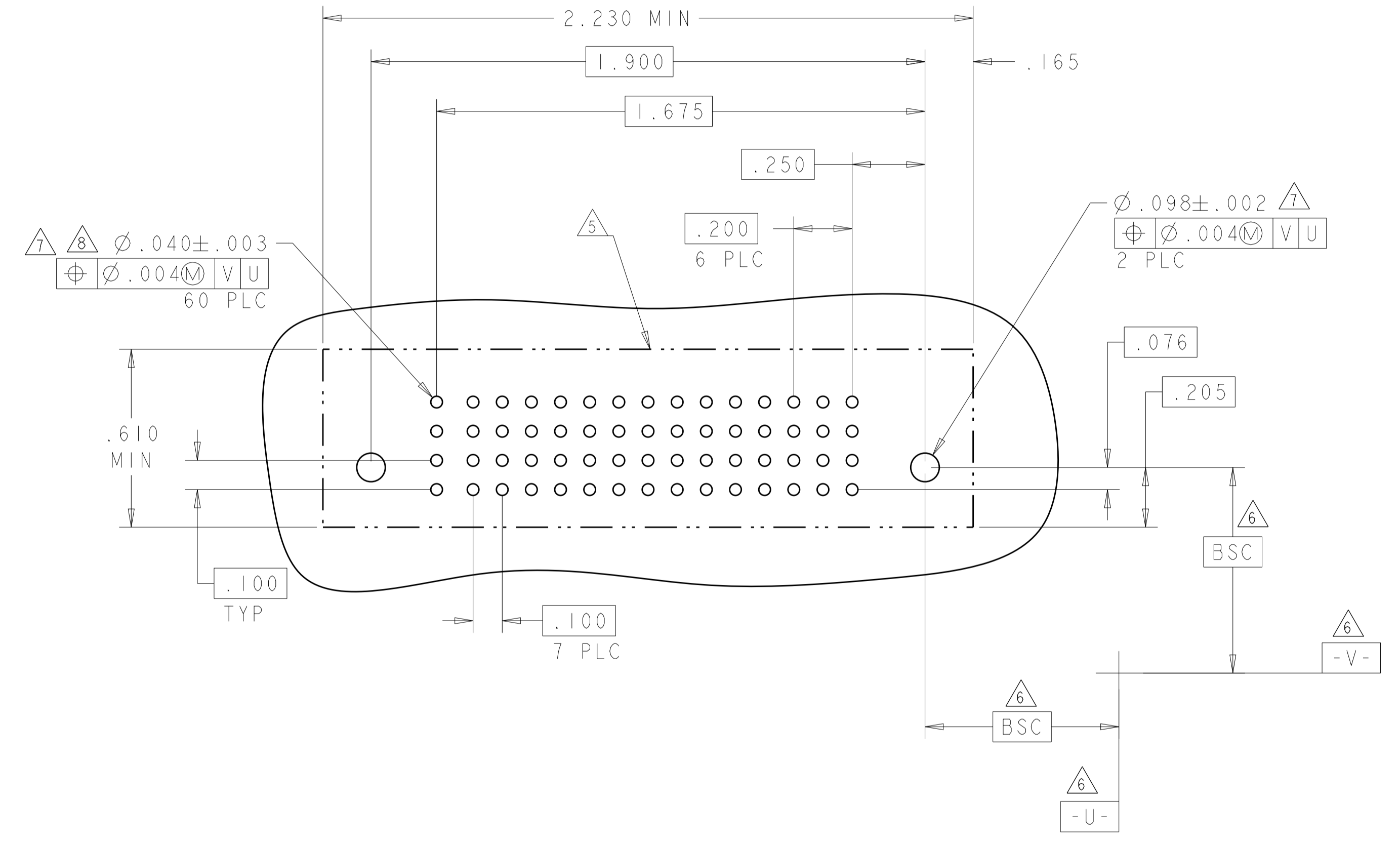
| PART NUMBER | ROWS | SIGNAL | | | | | | POWER | | | | |
|-------------|------------------|--------|----|----|---|---|---|-------|----|----|----|----|
| | | 6 | 5 | 4 | 3 | 2 | 1 | P5 | P4 | P3 | P2 | P1 |
| 6450552-8 | D C B A | AP | AP | AP | | | | GS | GS | GP | GP | GP |
| | | AP | AP | AP | | | | | | | | |
| | | AP | AP | AP | | | | | | | | |
| | | AP | AP | AP | | | | | | | | |

5P + 24S
 NO CONTACTS LOADED
 .200 2 PLC
 .375 9



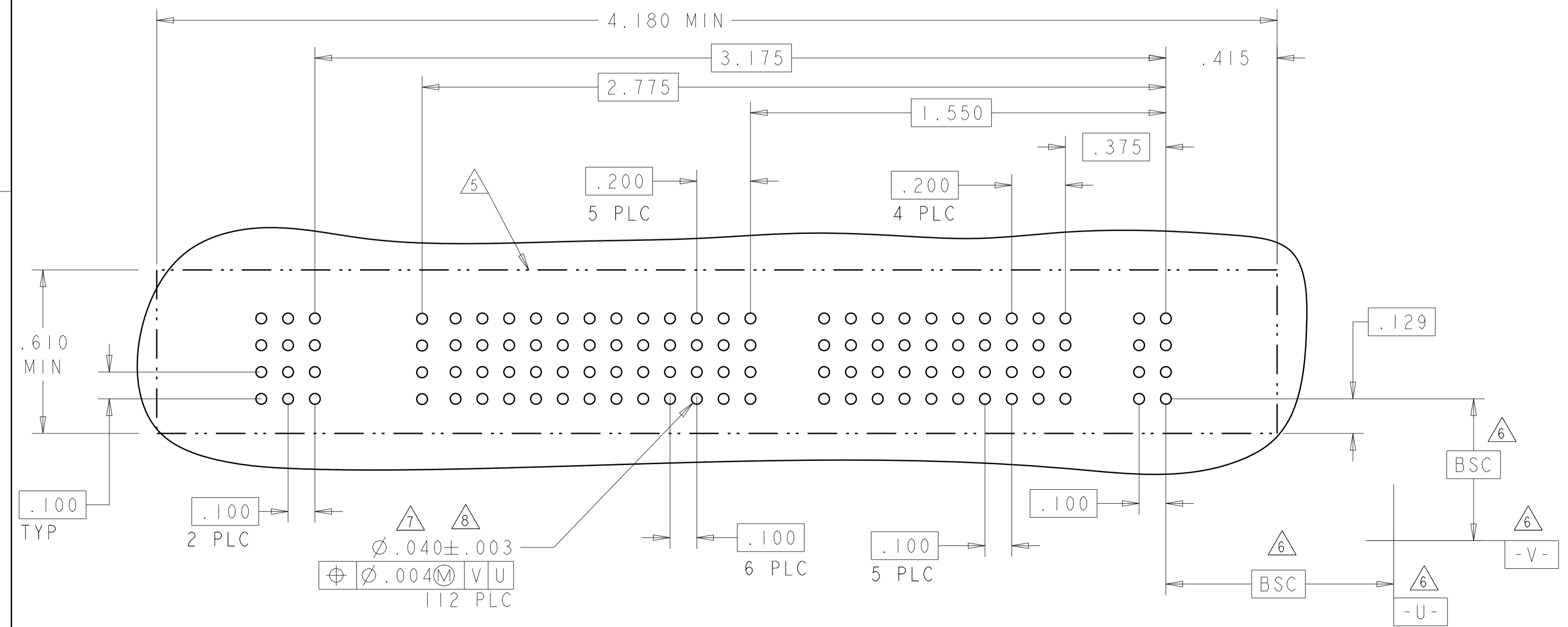
| PART NUMBER | ROWS | SIGNAL | | | | | | POWER | | | | |
|-------------|------------------|--------|----|----|----|----|----|-------|----|--|--|--|
| | | I | P7 | P6 | P5 | P4 | P3 | P2 | P1 | | | |
| I-6450552-8 | D C B A | AP | GP | GP | GS | GS | GS | GP | GP | | | |
| | | AP | | | | | | | | | | |
| | | AP | | | | | | | | | | |
| | | AP | | | | | | | | | | |

7HDP + 4S



| PART NUMBER | ROWS | SIGNAL | | | | | | | POWER | | | | | | | | | | | |
|-------------|------------------|--------|----|----|---|---|---|----|-------|-----|-----|----|----|----|----|----|----|----|----|----|
| | | 7 | 6 | 5 | 4 | 3 | 2 | 1 | PI2 | PI1 | PI0 | P9 | P8 | P7 | P6 | P5 | P4 | P3 | P2 | P1 |
| 6450552-9 | D C B A | AP | AP | AP | | | | AP | GP | GS | GS | GS | GS | GS | GP | GP | GP | GP | GP | GP |
| | | AP | AP | AP | | | | AP | | | | | | | | | | | | |
| | | AP | AP | AP | | | | AP | | | | | | | | | | | | |
| | | AP | AP | AP | | | | AP | | | | | | | | | | | | |

12P + 28S
 NO CONTACTS LOADED
 .200 9 PLC
 .375 9

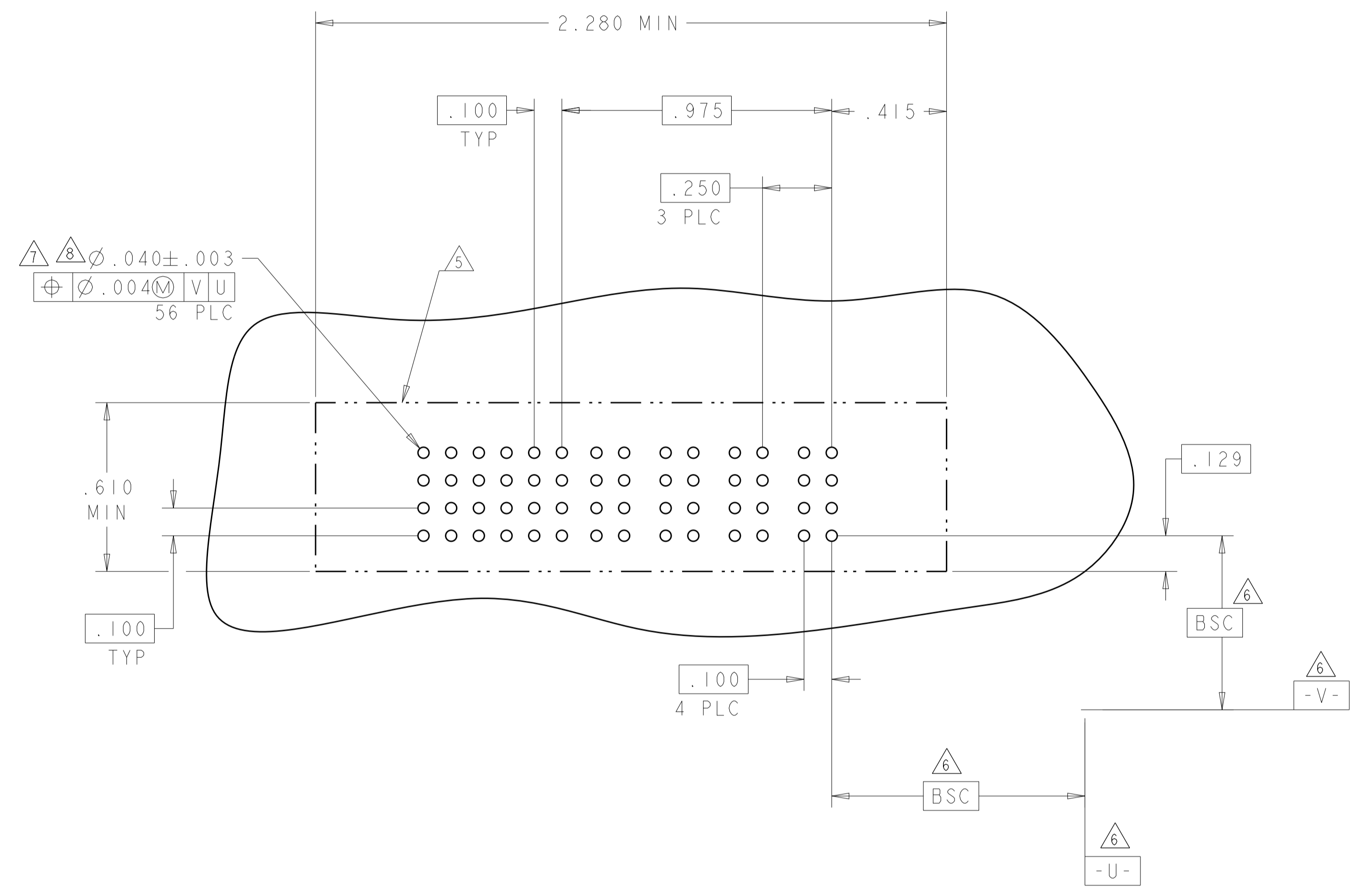


| | | | |
|------------------------------------------------------------------------------------------|--|-----------------------------|-------------------------------------------------------------------------|
| THIS DRAWING IS A CONTROLLED DOCUMENT. | | OWN: R. GRZYBOWSKI 24JAN05 | TE Connectivity |
| DIMENSIONS: INCHES | | CHK: M. PERCHERKE 24JAN05 | |
| TOLERANCES UNLESS OTHERWISE SPECIFIED: | | APVD: M. PERCHERKE | NAME: VERTICAL RECEPTACLE ASSEMBLY WITH GUIDES, PRESS FIT MULTI-BEAM XL |
| 0 PLC ± .01 1 PLC ± .01 2 PLC ± .01 3 PLC ± .005 4 PLC ± .002 ANGLES ± 2° | | PRODUCT SPEC: 108-1973 | SIZE: CAGE CODE DRAWING NO: 114-13038 |
| MATERIAL: . | | WEIGHT: . | RESTRICTED TO: A100779 |
| FINISH: . | | CUSTOMER DRAWING: C=6450552 | SCALE: 4:1 SHEET 4 OF 8 REV: F5 |

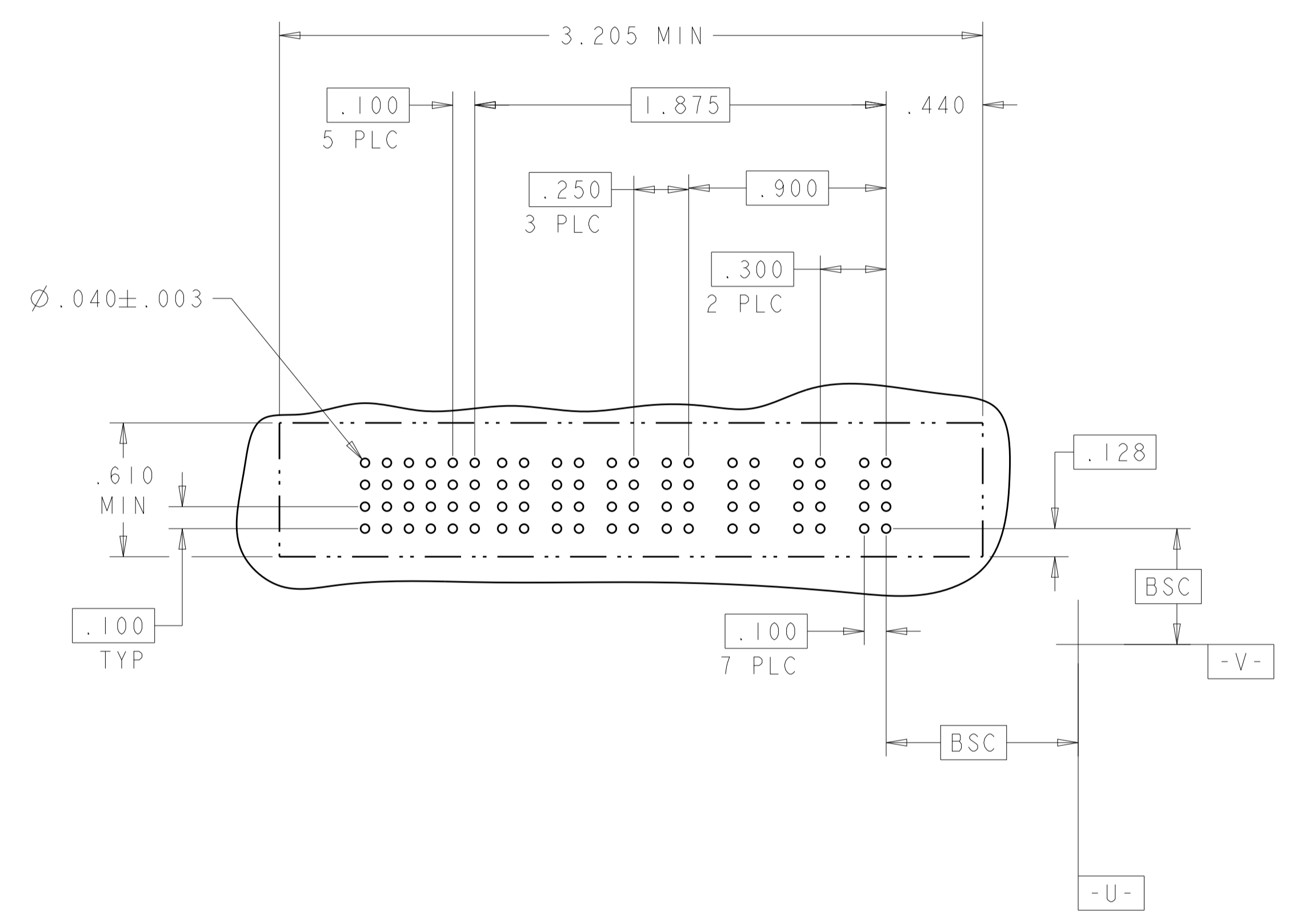
| LOC | DIST | REVISIONS | | | |
|-----|------|-----------|-------------|----|------|
| ES | 00 | REV | DATE | BY | APPD |
| | | - | SEE SHEET 1 | - | - |

| ASSY PART NUMBER | ROWS | SIGNAL | | | | | | POWER | | | |
|------------------|------------------|--------|----|----|----|----|----|-------|----|----|----|
| | | 6 | 5 | 4 | 3 | 2 | 1 | P4 | P3 | P2 | P1 |
| 2-6450552-0 | D C B A | AP | AP | AP | AP | AP | AP | GS | GS | GS | GS |
| | | AP | AP | AP | AP | AP | AP | GS | GS | GS | GS |
| | | AP | AP | AP | AP | AP | AP | GS | GS | GS | GS |
| | | AP | AP | AP | AP | AP | AP | GS | GS | GS | GS |
| 4P + 24S | | | | | | | | | | | |

| PART NUMBER | ROWS | SIGNAL | | | | | | POWER | | | | | | |
|-----------------|------------------|--------|----|----|----|----|----|-------|----|----|----|----|----|----|
| | | 6 | 5 | 4 | 3 | 2 | 1 | P7 | P6 | P5 | P4 | P3 | P2 | P1 |
| 6450552-7 | D C B A | AP | AP | AP | AP | AP | AP | GS | GS | GS | GS | GP | GS | GS |
| | | AP | AP | AP | AP | AP | AP | GS | GS | GS | GS | GP | GS | GS |
| | | AP | AP | AP | AP | AP | AP | GS | GS | GS | GS | GP | GS | GS |
| | | AP | AP | AP | AP | AP | AP | GS | GS | GS | GS | GP | GS | GS |
| 3ACP + 4P + 24S | | | | | | | | | | | | | | |



F2

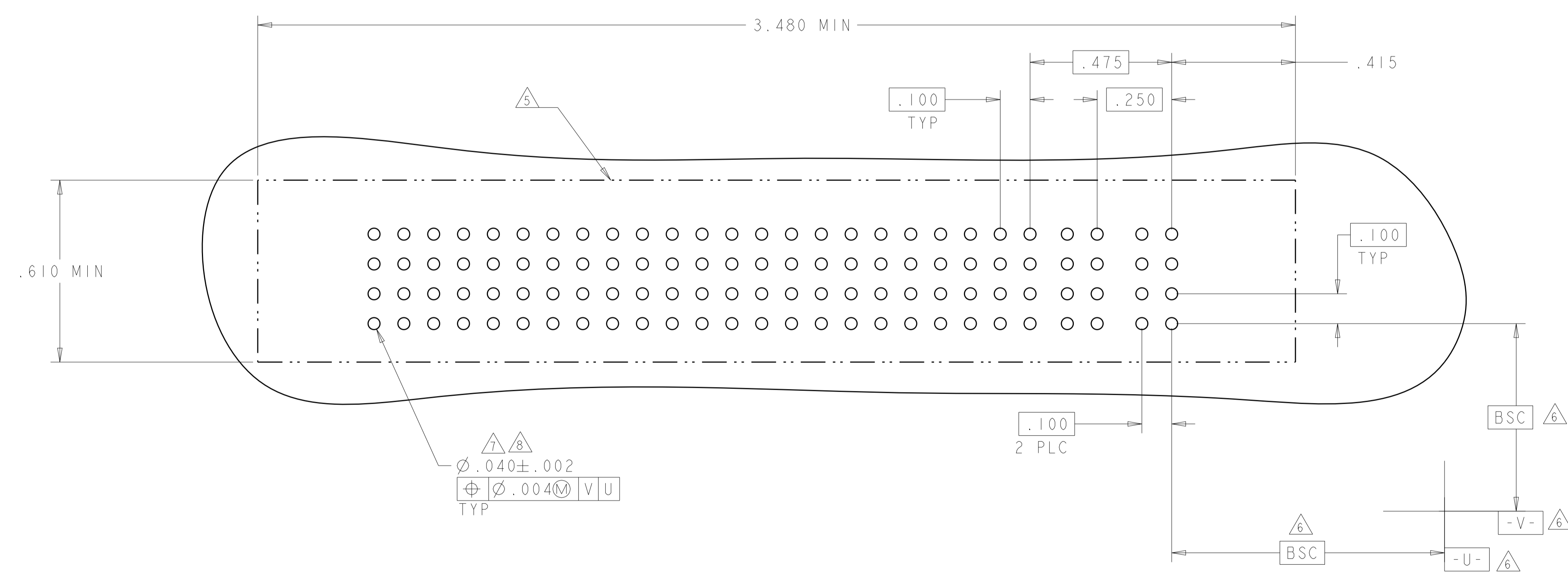


| | | | |
|--------------------------------------------------------------------------------------------------|--|-----------------------------|-------------------------------------------------------------------------|
| THIS DRAWING IS A CONTROLLED DOCUMENT. | | OWN: R. GRZYBOWSKI 24JAN05 | TE Connectivity |
| DIMENSIONS: INCHES | | CHK: M. PERCHERKE 24JAN05 | |
| TOLERANCES UNLESS OTHERWISE SPECIFIED: | | APVD: M. PERCHERKE | NAME: VERTICAL RECEPTACLE ASSEMBLY WITH GUIDES, PRESS FIT MULTI-BEAM XL |
| 0 PLC ± 1 PLC ±.01 2 PLC ±.01 3 PLC ±.005 4 PLC ±.0020 ANGLES ±.020 FINISH: #2 | | PRODUCT SPEC: 108-1973 | SIZE: A1 |
| MATERIAL: - | | APPLICATION SPEC: 114-13038 | CAGE CODE: 6450552 |
| WEIGHT: - | | CUSTOMER DRAWING | SCALE: 4:1 SHEET 7 OF 8 REV: F5 |

| LOC | DIST | REVISIONS | | | | | |
|-----|------|-----------|-----|-------------|------|-----|------|
| | | P | LTN | DESCRIPTION | DATE | DMN | APVD |
| ES | 00 | - | - | SEE SHEET 1 | - | - | - |
| | | | | | | | |
| | | | | | | | |

| PART NUMBER | ROWS | SIGNAL | | | | | | | | | | | | | | | | | | | POWER | | | | | | | | |
|-------------|------------------|--------|----|----|----|----|----|----|----|----|----|----|----|----|----|----|----|----|----|----|-------|----|----|----|----|----|----|----|--|
| | | 23 | 22 | 21 | 20 | 19 | 18 | 17 | 16 | 15 | 14 | 13 | 12 | 11 | 10 | 9 | 8 | 7 | 6 | 5 | 4 | 3 | 2 | 1 | P2 | P1 | | | |
| 6450552-2 | D C B A | AP | AP | AP | AP | AP | AP | AP | AP | AP | AP | AP | AP | AP | AP | AP | AP | AP | AP | AP | AP | AP | AP | AP | AP | GP | GS | | |
| | | AP | AP | AP | AP | AP | AP | AP | AP | AP | AP | AP | AP | AP | AP | AP | AP | AP | AP | AP | AP | AP | AP | AP | AP | AP | GP | GS | |
| | | AP | AP | AP | AP | AP | AP | AP | AP | AP | AP | AP | AP | AP | AP | AP | AP | AP | AP | AP | AP | AP | AP | AP | AP | AP | GP | GS | |
| | | AP | AP | AP | AP | AP | AP | AP | AP | AP | AP | AP | AP | AP | AP | AP | AP | AP | AP | AP | AP | AP | AP | AP | AP | AP | GP | GS | |
| 2P + 92S | | | | | | | | | | | | | | | | | | | | | | | | | | | | | |

F3



| | | | |
|----------------------------------------|--|-----------------------------|-------------------------------------------------------------------------|
| THIS DRAWING IS A CONTROLLED DOCUMENT. | | DMN: R. GRZYBOWSKI 24JAN05 | TE Connectivity |
| DIMENSIONS: INCHES | | CHK: M. PERCHERKE 24JAN05 | |
| TOLERANCES UNLESS OTHERWISE SPECIFIED: | | APVD: M. PERCHERKE | NAME: VERTICAL RECEPTACLE ASSEMBLY WITH GUIDES, PRESS FIT MULTI-BEAM XL |
| 0 PLC ±.01 | | PRODUCT SPEC: 108-1973 | SIZE: A1 |
| 1 PLC ±.01 | | APPLICATION SPEC: 114-13038 | CAGE CODE: C=6450552 |
| 2 PLC ±.005 | | WEIGHT: - | RESTRICTED TO: - |
| 3 PLC ±.0020 | | CUSTOMER DRAWING | SCALE: 4:1 |
| ANGLES: ±2° | | SCALE: 4:1 | SHEET: 8 OF 8 |
| MATERIAL: - | | SCALE: 4:1 | REV: F5 |

Компания «Океан Электроники» предлагает заключение долгосрочных отношений при поставках импортных электронных компонентов на взаимовыгодных условиях!

Наши преимущества:

- Поставка оригинальных импортных электронных компонентов напрямую с производств Америки, Европы и Азии, а так же с крупнейших складов мира;
- Широкая линейка поставок активных и пассивных импортных электронных компонентов (более 30 млн. наименований);
- Поставка сложных, дефицитных, либо снятых с производства позиций;
- Оперативные сроки поставки под заказ (от 5 рабочих дней);
- Экспресс доставка в любую точку России;
- Помощь Конструкторского Отдела и консультации квалифицированных инженеров;
- Техническая поддержка проекта, помощь в подборе аналогов, поставка прототипов;
- Поставка электронных компонентов под контролем ВП;
- Система менеджмента качества сертифицирована по Международному стандарту ISO 9001;
- При необходимости вся продукция военного и аэрокосмического назначения проходит испытания и сертификацию в лаборатории (по согласованию с заказчиком);
- Поставка специализированных компонентов военного и аэрокосмического уровня качества (Xilinx, Altera, Analog Devices, Intersil, Interpoint, Microsemi, Actel, Aeroflex, Peregrine, VPT, Syfer, Eurofarad, Texas Instruments, MS Kennedy, Miteq, Cobham, E2V, MA-COM, Hittite, Mini-Circuits, General Dynamics и др.);

Компания «Океан Электроники» является официальным дистрибьютором и эксклюзивным представителем в России одного из крупнейших производителей разъемов военного и аэрокосмического назначения «JONHON», а так же официальным дистрибьютором и эксклюзивным представителем в России производителя высокотехнологичных и надежных решений для передачи СВЧ сигналов «FORSTAR».



JONHON

«JONHON» (основан в 1970 г.)

Разъемы специального, военного и аэрокосмического назначения:

(Применяются в военной, авиационной, аэрокосмической, морской, железнодорожной, горно- и нефтедобывающей отраслях промышленности)

«FORSTAR» (основан в 1998 г.)

ВЧ соединители, коаксиальные кабели, кабельные сборки и микроволновые компоненты:

(Применяются в телекоммуникациях гражданского и специального назначения, в средствах связи, РЛС, а так же военной, авиационной и аэрокосмической отраслях промышленности).



Телефон: 8 (812) 309-75-97 (многоканальный)

Факс: 8 (812) 320-03-32

Электронная почта: ocean@oceanchips.ru

Web: <http://oceanchips.ru/>

Адрес: 198099, г. Санкт-Петербург, ул. Калинина, д. 2, корп. 4, лит. А