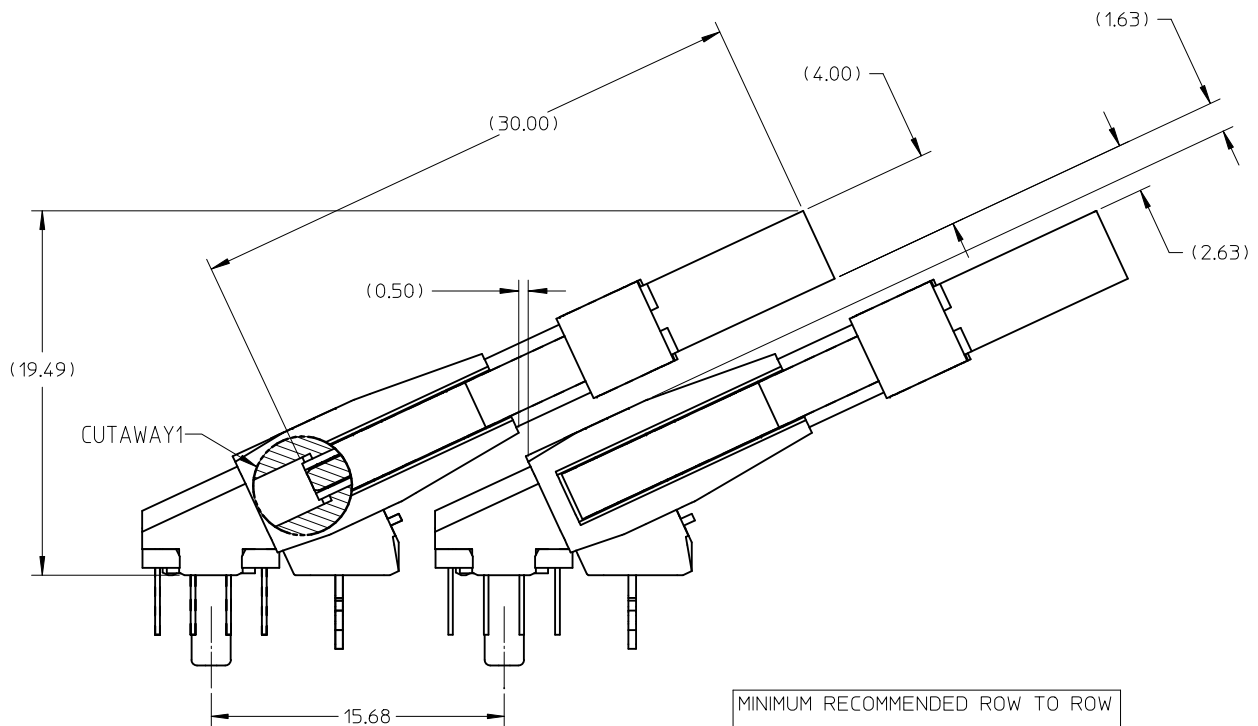
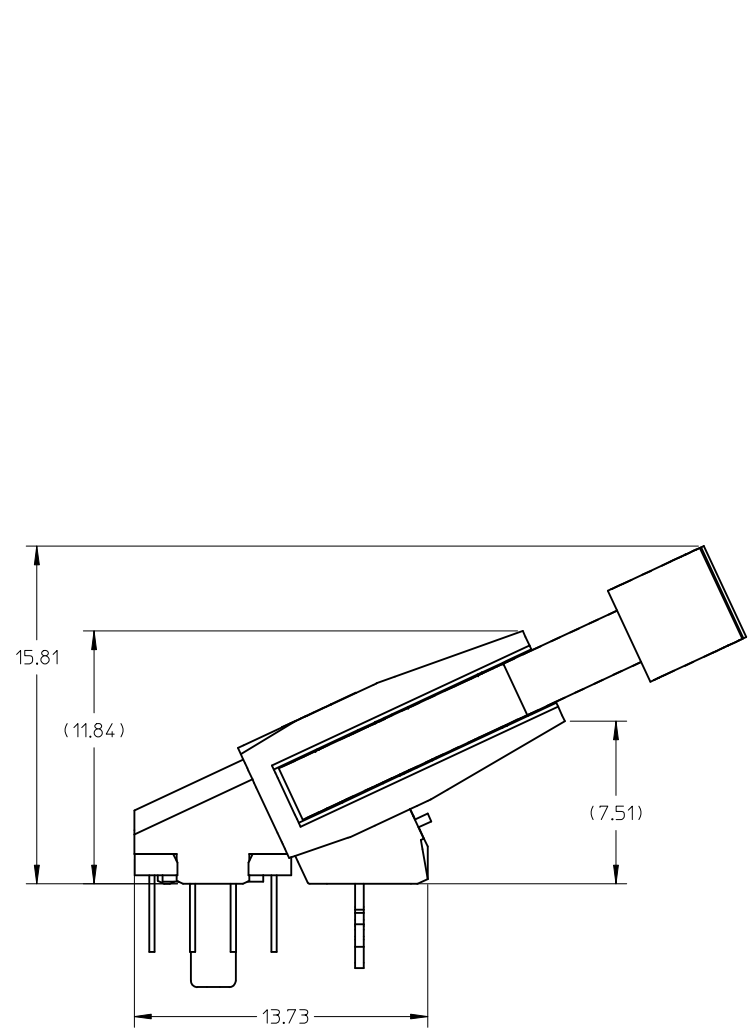


- NOTES:
- MATERIAL : HOUSING & BASEPLATE.
    - LCP, GLASS FILLED, UL94-V0, BLACK.
    - LATCH.
    - HIGH TEMP. NYLON, GLASS FILLED, UL94-V0, NATURAL (OFF WHITE).
    - TERMINALS & FORKLOCK - COPPER ALLOY.
  - PLATING : CONTACT AREA - SEE TABLE ON SHEET 5.  
SOLDERTAIL - SEE TABLE ON SHEET 5.
  - CARD SLOT ACCEPTS 1.27+/-0.10MM MODULE THICKNESS (MEASURED OVER PC PADS).
  - REFER TO PRODUCT SPECIFICATION, PS-87919-001 FOR PERFORMANCE SPECIFICATION.
  - RECOMMENDED MODULE CARD LAYOUT SHALL BE AS PER JEDEC MO-237.
  - PRODUCT SHALL BE PACKED IN TRAY. PLS REFER TO SHEET 3.

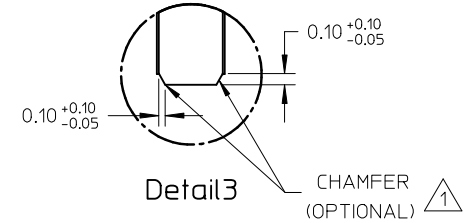
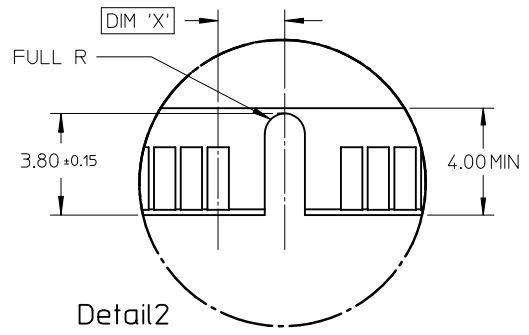
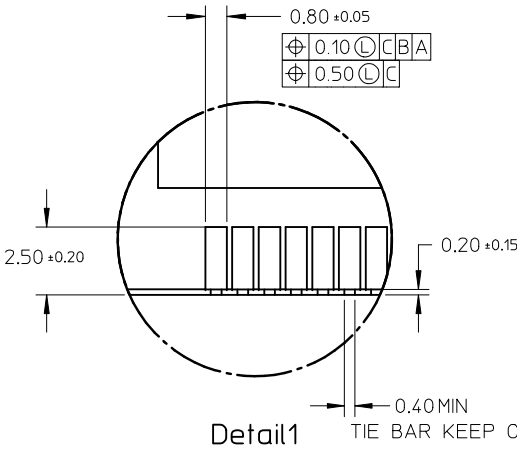
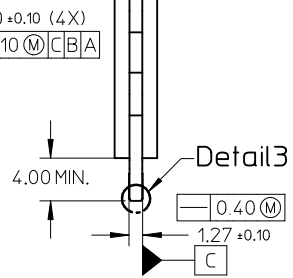
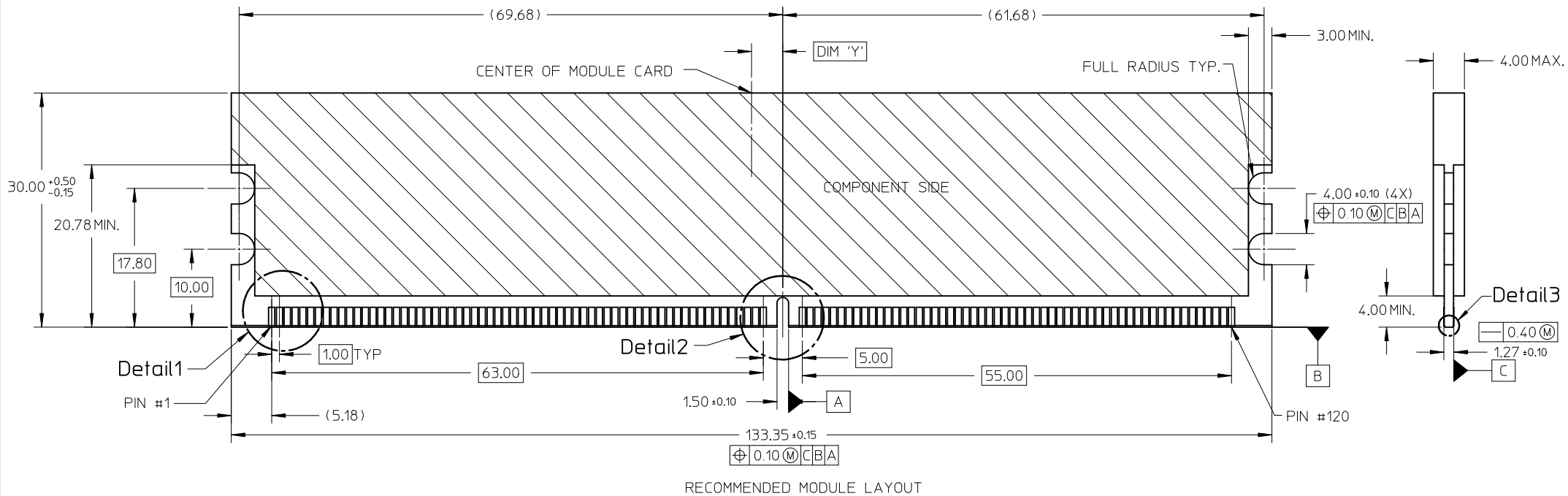
- MOLEX LOGO, DATE & PART NUMBER INDICATED ON HOUSING.

ADDED OPTION EC NO: S2010-0393 DRWN:LCYH 2009/11/16 CH'KD:CGTAN 2009/11/16 APPR:SHENI 2009/11/17 A7	DESCRIPTION REV	QUALITY SYMBOLS	GENERAL TOLERANCES (UNLESS SPECIFIED) <table border="1"> <thead> <tr> <th></th> <th>mm</th> <th>INCH</th> </tr> </thead> <tbody> <tr> <td>4 PLACES</td> <td>± ---</td> <td>± ---</td> </tr> <tr> <td>3 PLACES</td> <td>± ---</td> <td>± ---</td> </tr> <tr> <td>2 PLACES</td> <td>± 0.25</td> <td>± ---</td> </tr> <tr> <td>1 PLACE</td> <td>± ---</td> <td>± ---</td> </tr> <tr> <td colspan="3">ANGULAR ± 5 °</td> </tr> </tbody> </table>		mm	INCH	4 PLACES	± ---	± ---	3 PLACES	± ---	± ---	2 PLACES	± 0.25	± ---	1 PLACE	± ---	± ---	ANGULAR ± 5 °			DIMENSION STYLE MM ONLY	SCALE NTS	DESIGN UNITS METRIC	THIRD ANGLE PROJECTION
				mm	INCH																				
		4 PLACES		± ---	± ---																				
		3 PLACES		± ---	± ---																				
2 PLACES	± 0.25	± ---																							
1 PLACE	± ---	± ---																							
ANGULAR ± 5 °																									
		DRAWN BY JTAN	DATE 2004/05/26	TITLE DDR2 DIMM, 1.00MM PITCH 240 CKTS, 25 DEG. REVERSE ANGLE																					
		CHECKED BY MLONG	DATE 2004/06/11	MOLEX INCORPORATED																					
		APPROVED BY GGLEE	DATE 2004/06/11	DOCUMENT NO. SD-87919-001		SHEET NO. 1 OF 6																			
		DRAFT WHERE APPLICABLE MUST REMAIN WITHIN DIMENSIONS		THIS DRAWING CONTAINS INFORMATION THAT IS PROPRIETARY TO MOLEX INCORPORATED AND SHOULD NOT BE USED WITHOUT WRITTEN PERMISSION																					



MINIMUM RECOMMENDED ROW TO ROW SPACING WHEN USING 4.00MM THICK MODULE.

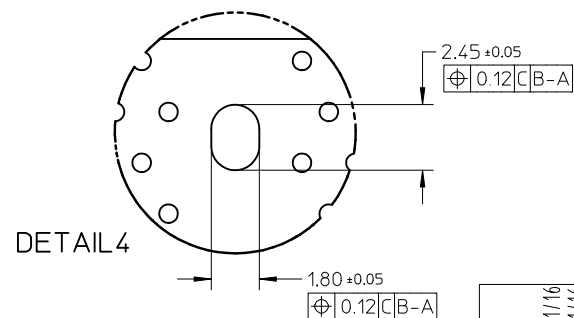
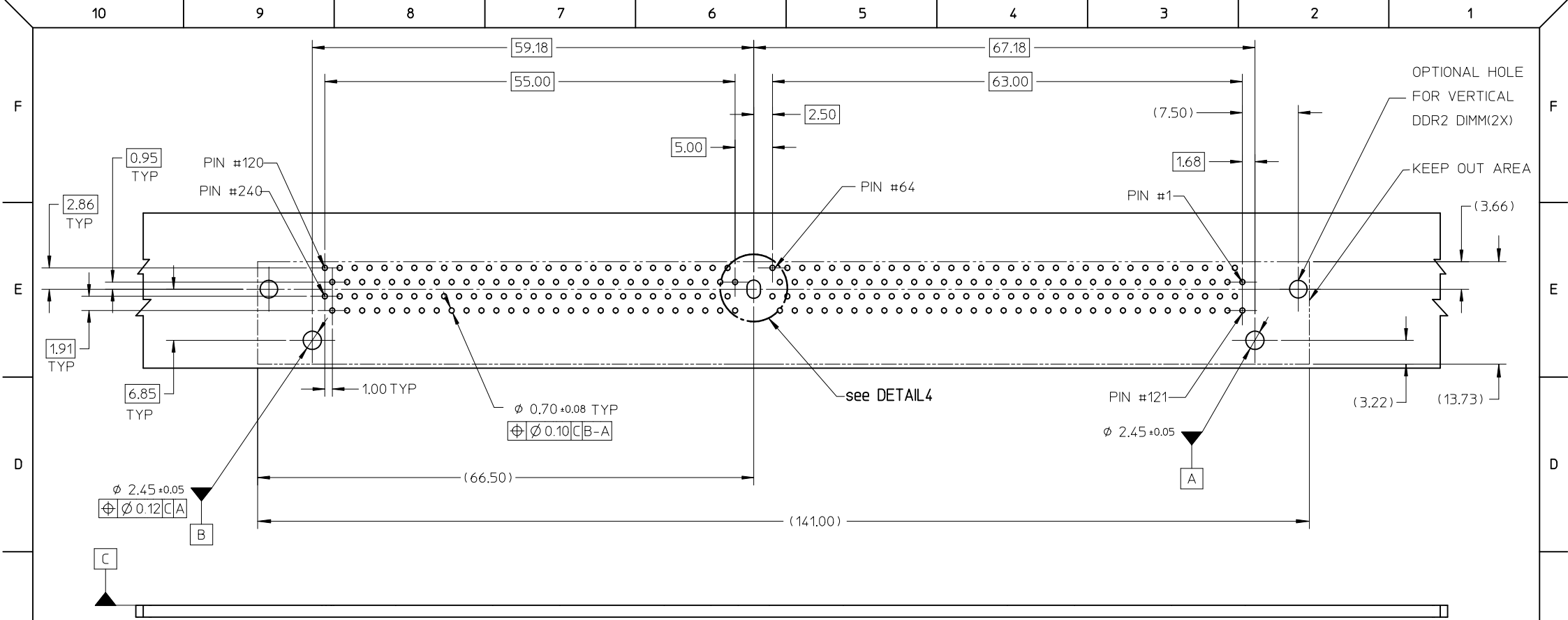
ADDED OPTION EC NO: S2010-0393 DRWN:CCTEH 2009/11/16 CHKD:CGTAN 2009/11/16 APPR:SHLENI 2009/11/17	QUALITY SYMBOLS $F_A=0$ $F_E=0$ $F_P=0$	GENERAL TOLERANCES (UNLESS SPECIFIED)		DIMENSION STYLE MM ONLY		SCALE NTS	DESIGN UNITS METRIC	THIRD ANGLE PROJECTION		
			mm	INCH	DRAWN BY JTAN	DATE 2004/05/26	TITLE DDR2 DIMM, 1.00MM PITCH 240 CKTS, 25 DEG. REVERSE ANGLE			
		4 PLACES	± ---	± ---	CHECKED BY MLONG	DATE 2004/06/11	MOLEX INCORPORATED			
		3 PLACES	± ---	± ---	APPROVED BY GGLLEE	DATE 2004/06/11	MATERIAL NO.	DOCUMENT NO.	SHEET NO.	
			1 PLACE	± ---	± ---	SEE TABLE		SD-87919-001	2 OF 6	
		ANGULAR ± 5 °		DRAFT WHERE APPLICABLE MUST REMAIN WITHIN DIMENSIONS		THIS DRAWING CONTAINS INFORMATION THAT IS PROPRIETARY TO MOLEX INCORPORATED AND SHOULD NOT BE USED WITHOUT WRITTEN PERMISSION				



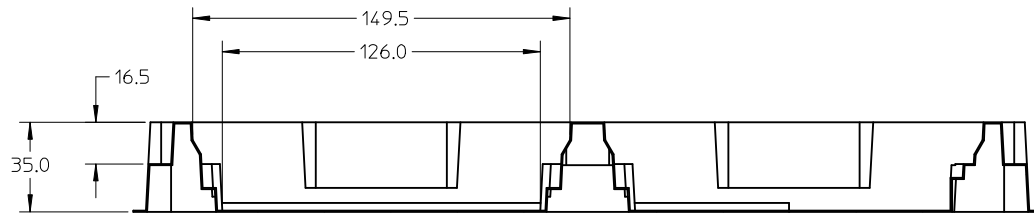
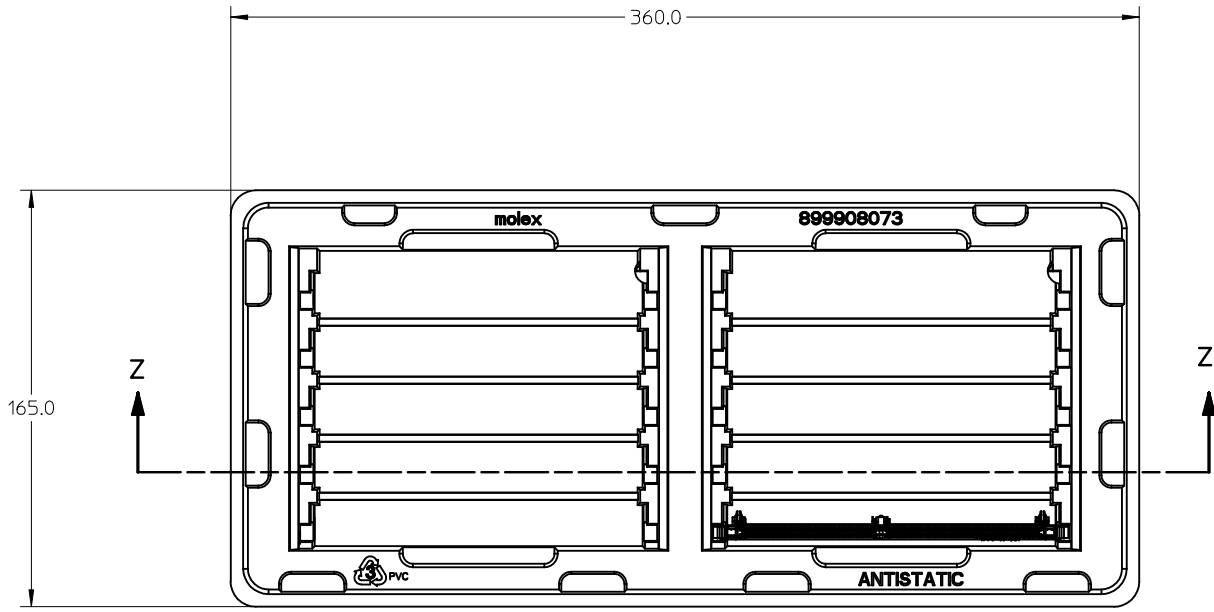
KEY LOCATION	VOLTAGE	DIM 'X'	DIM 'Y'
CENTER	1.8V	2.50	4.00

NOTES :  
 1 MODULE CARD USED IN PRODUCT TESTING ARE CHAMFERED.

ADDED OPTION EC NO: S2010-0393 DRWN: CCTH 2009/11/16 CHKD: CGTAN 2009/11/16 APPR: SILENI 2009/11/17 A7	QUALITY SYMBOLS $F_A=0$ $F_C=0$ $F_P=0$	GENERAL TOLERANCES (UNLESS SPECIFIED)		DIMENSION STYLE <b>MM ONLY</b>		SCALE NTS	DESIGN UNITS METRIC	THIRD ANGLE PROJECTION		
		4 PLACES	± ---	± ---	DRAWN BY JTAN	DATE 2004/05/26	TITLE <b>DDR2 DIMM, 1.00MM PITCH          240 CKTS, 25 DEG.          REVERSE ANGLE</b>			
		3 PLACES	± ---	± ---	CHECKED BY MLONG	DATE 2004/06/11				
		2 PLACES	± 0.25	± ---	APPROVED BY GGLEE	DATE 2004/06/11	MOLEX INCORPORATED		SHEET NO. 3 OF 6	
DRAFT WHERE APPLICABLE MUST REMAIN WITHIN DIMENSIONS		ANGULAR ± 5 °		MATERIAL NO. <b>SEE TABLE</b>		DOCUMENT NO. <b>SD-87919-001</b>		THIS DRAWING CONTAINS INFORMATION THAT IS PROPRIETARY TO MOLEX INCORPORATED AND SHOULD NOT BE USED WITHOUT WRITTEN PERMISSION		



ADDED OPTION EC NO: S2010-0393 DRWN: CCTEH CH'KD: CGTAN APPR: SILENI 2009/11/16 2009/11/16 2009/11/17	DESCRIPTION REV A7	QUALITY SYMBOLS $F_A = 0$ $F_C = 0$ $F_B = 0$	GENERAL TOLERANCES (UNLESS SPECIFIED)		DIMENSION STYLE <b>MM ONLY</b>		SCALE NTS	DESIGN UNITS METRIC	THIRD ANGLE PROJECTION			
				4 PLACES $\pm$ ---    mm    INCH 3 PLACES $\pm$ --- $\pm$ --- 2 PLACES $\pm 0.25$ $\pm$ --- 1 PLACE $\pm$ --- $\pm$ ---	DRAWN BY JTAN	DATE 2004/05/26	TITLE <b>DDR2 DIMM, 1.00MM PITCH          240 CKTS, 25 DEG.          REVERSE ANGLE</b>					
				ANGULAR $\pm 5^\circ$		CHECKED BY MLONG	DATE 2004/06/11	MOLEX INCORPORATED				
				DRAFT WHERE APPLICABLE MUST REMAIN WITHIN DIMENSIONS		APPROVED BY GGLEE	DATE 2004/06/11	MATERIAL NO. <b>SEE TABLE</b>	DOCUMENT NO. <b>SD-87919-001</b>	SHEET NO. <b>4 OF 6</b>		



SECTION Z-Z

NOTE:  
1. CAVITY QTY : 2 X 5 = 10

ADDED OPTION EC NO: S2010-0393 DRWN:CCTEH 2009/11/16 CHKD:CGTAN 2009/11/16 APPR:SHLENI 2009/11/17	QUALITY SYMBOLS $F_A=0$ $F_C=0$ $F_P=0$	GENERAL TOLERANCES (UNLESS SPECIFIED)		DIMENSION STYLE MM ONLY		SCALE NTS	DESIGN UNITS METRIC	THIRD ANGLE PROJECTION		
			mm	INCH	DRAWN BY JTAN	DATE 2004/05/26	TITLE DDR2 DIMM, 1.00MM PITCH 240 CKTS, 25 DEG. REVERSE ANGLE			
		4 PLACES	±---	±---	CHECKED BY MLONG	DATE 2004/06/11	MOLEX INCORPORATED			
		3 PLACES	±---	±---	APPROVED BY GGLEE	DATE 2004/06/11	DOCUMENT NO. SD-87919-001		SHEET NO. 5 OF 6	
			1 PLACE	±---	±---	MATERIAL NO. SEE TABLE				
			ANGULAR ± 5 °		DRAFT WHERE APPLICABLE MUST REMAIN WITHIN DIMENSIONS					
A7				SIZE A3		THIS DRAWING CONTAINS INFORMATION THAT IS PROPRIETARY TO MOLEX INCORPORATED AND SHOULD NOT BE USED WITHOUT WRITTEN PERMISSION				

10

9

8

7

6

5

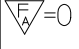
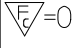
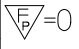
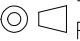

4

3

2

1

PART NO.	VOLTAGE KEY	DIM 'P'	DIM 'Q'	RECOMMENDED PCB THICKNESS	CONTACT AREA PLATING	SOLDERTAIL PLATING	LATCH COLOR	
87919-0001	1.8V	2.79	3.18	1.57	0.76μM/ 30μ" GOLD OVER 1.27μM/ 50μ" MIN NICKEL	2.54μM/ 100μ" MIN. TIN OVER 1.27μM/ 50μ" MIN NICKEL	NATURAL	
87919-0011		3.18	4.83	2.36				
87919-1001		4.00		3.18				
87919-1002		4.60	3.50					
87919-0101		2.79	3.18	1.57	0.38μM/ 15μ" GOLD OVER 1.27μM/ 50μ" MIN NICKEL			BLACK
87919-0111		3.18	4.83	2.36				
87919-0333								

<b>ADDED OPTION</b> EC NO: S2010-0393 DRWN: CTEH 2009/11/16 CHKD: CGTAN 2009/11/16 APPR: SILENI 2009/11/17	QUALITY SYMBOLS  = 0  = 0  = 0	GENERAL TOLERANCES (UNLESS SPECIFIED)		DIMENSION STYLE <b>MM ONLY</b>		SCALE NTS	DESIGN UNITS METRIC	 THIRD ANGLE PROJECTION		
			mm	INCH	DRAWN BY	DATE	TITLE <b>DDR2 DIMM, 1.00MM PITCH          240 CKTS, 25 DEG.          REVERSE ANGLE</b>			
		4 PLACES	± ---	± ---	JTAN	2004/05/26				
		3 PLACES	± ---	± ---	CHECKED BY	DATE				
	± 0.25	± ---	MLONG	2004/06/11	APPROVED BY  <b>MOLEX INCORPORATED</b>					
1 PLACE	± ---	± ---	GGLEE	2004/06/11						
ANGULAR ± 5 °		DRAFT WHERE APPLICABLE MUST REMAIN WITHIN DIMENSIONS		SEE TABLE		DOCUMENT NO.		SHEET NO.		
				SIZE A3		THIS DRAWING CONTAINS INFORMATION THAT IS PROPRIETARY TO MOLEX INCORPORATED AND SHOULD NOT BE USED WITHOUT WRITTEN PERMISSION				

9

8

7

6

5

4

3

2

1

Компания «Океан Электроники» предлагает заключение долгосрочных отношений при поставках импортных электронных компонентов на взаимовыгодных условиях!

Наши преимущества:

- Поставка оригинальных импортных электронных компонентов напрямую с производств Америки, Европы и Азии, а так же с крупнейших складов мира;
- Широкая линейка поставок активных и пассивных импортных электронных компонентов (более 30 млн. наименований);
- Поставка сложных, дефицитных, либо снятых с производства позиций;
- Оперативные сроки поставки под заказ (от 5 рабочих дней);
- Экспресс доставка в любую точку России;
- Помощь Конструкторского Отдела и консультации квалифицированных инженеров;
- Техническая поддержка проекта, помощь в подборе аналогов, поставка прототипов;
- Поставка электронных компонентов под контролем ВП;
- Система менеджмента качества сертифицирована по Международному стандарту ISO 9001;
- При необходимости вся продукция военного и аэрокосмического назначения проходит испытания и сертификацию в лаборатории (по согласованию с заказчиком);
- Поставка специализированных компонентов военного и аэрокосмического уровня качества (Xilinx, Altera, Analog Devices, Intersil, Interpoint, Microsemi, Actel, Aeroflex, Peregrine, VPT, Syfer, Eurofarad, Texas Instruments, MS Kennedy, Miteq, Cobham, E2V, MA-COM, Hittite, Mini-Circuits, General Dynamics и др.);

Компания «Океан Электроники» является официальным дистрибьютором и эксклюзивным представителем в России одного из крупнейших производителей разъемов военного и аэрокосмического назначения «JONHON», а так же официальным дистрибьютором и эксклюзивным представителем в России производителя высокотехнологичных и надежных решений для передачи СВЧ сигналов «FORSTAR».



## JONHON

«JONHON» (основан в 1970 г.)

Разъемы специального, военного и аэрокосмического назначения:

(Применяются в военной, авиационной, аэрокосмической, морской, железнодорожной, горно- и нефтедобывающей отраслях промышленности)

«FORSTAR» (основан в 1998 г.)

ВЧ соединители, коаксиальные кабели, кабельные сборки и микроволновые компоненты:

(Применяются в телекоммуникациях гражданского и специального назначения, в средствах связи, РЛС, а так же военной, авиационной и аэрокосмической отраслях промышленности).



Телефон: 8 (812) 309-75-97 (многоканальный)

Факс: 8 (812) 320-03-32

Электронная почта: [ocean@oceanchips.ru](mailto:ocean@oceanchips.ru)

Web: <http://oceanchips.ru/>

Адрес: 198099, г. Санкт-Петербург, ул. Калинина, д. 2, корп. 4, лит. А