

| REVISIONS | | | |
|-----------|---------------------------|----------|----------|
| LTR | DESCRIPTION | DATE | APPROVED |
| H2 | REVISED PER ECO-12-013906 | 7/29/12 | K. YEE |
| J | REVISED PER ECO-12-021161 | 12.04.12 | G.WELLS |



CODE 40 TINEL-LOCK ADAPTER

NOTES:

1. THIS PRODUCT IS DESIGNED TO TERMINATE A BRAIDED CABLE SHIELD AND A HEAT SHRINKABLE LIPPED BOOT TO A CONNECTOR.
2. SEE CH00-0250-008 FOR ORDERING INFORMATION, MODIFICATIONS AND ADDITIONAL DIMENSIONS.
- ③ SEE DRAWING "TR" FOR DETAILS ON TINEL-LOCK RING. RINGS ARE DESIGNED TO BE HEATED ELECTRICALLY. ALL RINGS ARE MARKED WITH THERMOCHROMIC PAINT WHICH CHANGES COLOR WHEN INSTALLATION TEMPERATURE IS REACHED.
4. ADAPTER TO BE PERMANENTLY MARKED WITH CODE IDENT. NO. AND PART NO. LESS RING DESIGNATOR (E.G.: 06090-TXR40AB00-1206). RINGS SHALL BEAR NO MARKING.
- ⑤ FOR LARGER ENTRY SIZES, A 2 PIECE ADAPTER (TYPE II) IS SUPPLIED.
- ⑥ ADAPTER MATES TO MIL-C-38999, SERIES III AND IV, CLASS C, F, K, AND W, D38999/20, /24, /26, /40, /46, /47 CONNECTORS, AND WHEN SO MATED SHALL PROVIDE A WATER-TIGHT SEAL MEETING THE REQUIREMENTS OF MIL-C-85049, PAR. 3.5.7.
- ⑦ THESE DIMENSIONS APPLY IF A SELF-LOCKING COUPLING NUT IS USED. (MOD. CODE "S").

If this document is printed it becomes uncontrolled. Check for the latest revision

©2012 Tyco Electronics Corporation. All rights reserved.

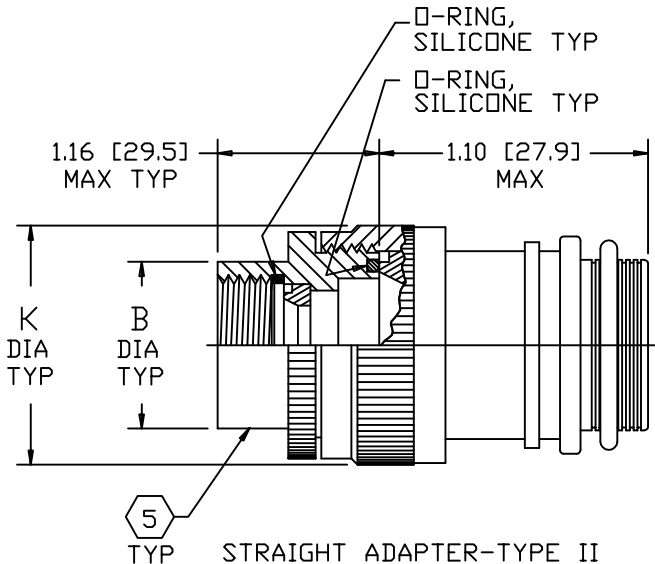
Raychem Adapters
CUSTOMER DRAWING

| | | | |
|---|--|------------------|--|
| UNLESS OTHERWISE SPECIFIED DIMENSIONS ARE IN INCHES. METRIC DIMENSIONS ARE IN BRACKETS. | DRAWN R. RAMIREZ | DATE 03-18-93 |  TE Connectivity |
| | CHECKED | DATE | |
| TYCO ELECTRONICS RESERVES THE RIGHT TO AMEND THIS DRAWING AT ANY TIME. USERS SHOULD EVALUATE THE SUITABILITY OF THE PRODUCT FOR THEIR APPLICATION | APPROVED W. C. GAY | DATE 05-19-93 | TITLE TINEL-LOCK™ ADAPTER |
| | APPROVED G. WELLS | DATE 11-15-12 | |
| DECIMAL TOLERANCES .XXX ± 0.005 [0.13 mm] .XX ± 0.01 [0.25 mm] .X ± 0.1 [0.50 mm] | THIRD ANGLE PROJECTION  | | SIZE A |
| ANGLE TOLERANCE .X ± 1 DEG. | | | CODE IDENT. NO. 06090 |
| DO NOT SCALE THIS DWG | | SHEET 1 OF 3 | |

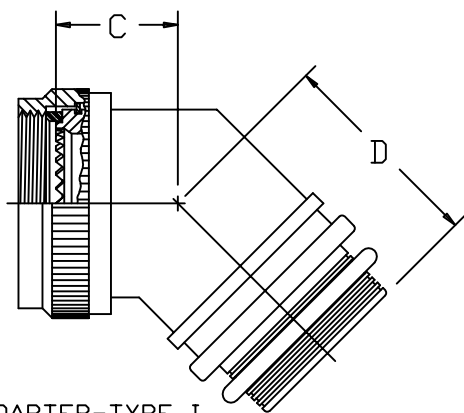
SEE SHEET 1 FOR REVISION



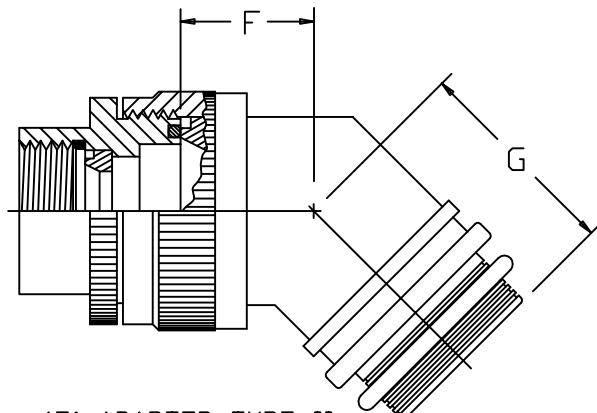
STRAIGHT ADAPTER-TYPE I



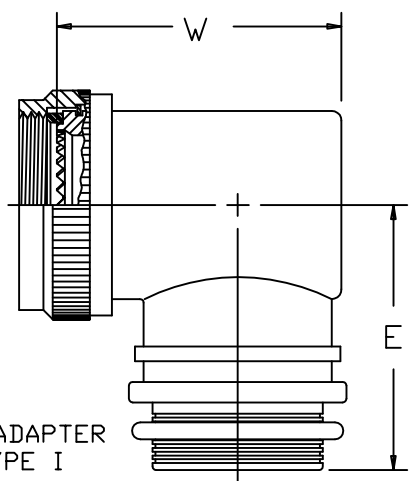
STRAIGHT ADAPTER-TYPE II



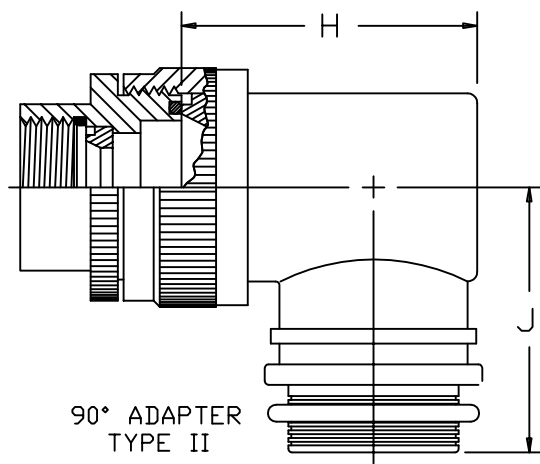
45° ADAPTER-TYPE I



45° ADAPTER-TYPE II



90° ADAPTER TYPE I



90° ADAPTER TYPE II

Raychem Adapters
CUSTOMER DRAWING

If this document is printed it becomes uncontrolled. Check for the latest revision

| SIZE | CODE IDENT. NO. | DWG. NO. | REV |
|-----------------------|-----------------|-----------------------|--------------|
| A | 06090 | TXR40 | J |
| DO NOT SCALE THIS DWG | | CAD NAME txr40_2_j_cd | SHEET 2 OF 3 |

| TABLE I | | | | | | | | | | |
|-----------|--|-----|---|-----------------------|-----------------|---|----------------|----------------|----------------|----------------|
| ORDER NO. | SHELL SIZE  | | MAX ENTRY SIZE  TYPE I | A METRIC THD CLASS 6H | B DIA MAX | B DIA MAX  | C MAX | D MAX | E MAX | W MAX |
| | CDM'L | MIL | | | | | | | | |
| 08 | 9 | A | 04 | M12 X 1.0 | .750 [19.1] | .969 [24.6] | .82 [20.8] | .89 [22.6] | 1.10 [27.9] | .85 [21.6] |
| 10 | 11 | B | 07 | M15 X 1.0 | .850 [21.6] | 1.063 [27.0] | .84 [21.3] | .92 [23.4] | 1.20 [30.5] | .97 [24.6] |
| 12 | 13 | C | 08 | M18 X 1.0 | 1.000 [25.4] | 1.219 [31.0] | .87 [22.1] | .95 [24.1] | 1.26 [32.0] | 1.10 [27.9] |
| 14 | 15 | D | 10 | M22 X 1.0 | 1.150 [29.2] | 1.406 [35.7] | .89 [22.6] | .95 [24.1] | 1.34 [34.0] | 1.22 [31.0] |
| 16 | 17 | E | 12 | M25 X 1.0 | 1.250 [31.8] | 1.469 [37.3] | .92 [23.4] | .98 [24.9] | 1.40 [35.6] | 1.35 [34.3] |
| 18 | 19 | F | 14 | M28 X 1.0 | 1.400 [35.6] | 1.594 [40.5] | .95 [24.1] | 1.01 [25.7] | 1.45 [36.8] | 1.41 [35.8] |
| 20 | 21 | G | 16 | M31 X 1.0 | 1.500 [38.1] | 1.750 [44.5] | .97 [24.6] | 1.04 [26.4] | 1.51 [38.4] | 1.53 [38.9] |
| 22 | 23 | H | 18 | M34 X 1.0 | 1.650 [41.9] | 1.844 [46.8] | 1.00 [25.4] | 1.07 [27.2] | 1.57 [39.9] | 1.66 [42.2] |
| 24 | 25 | J | 20 | M37 X 1.0 | 1.750 [44.5] | 2.031 [51.6] | 1.02 [25.9] | 1.07 [27.2] | 1.67 [42.4] | 1.78 [45.2] |

| TABLE II | | | | | | | | | |
|------------|---------------------|--------------------------------|-----------------------|----------------|----------------|----------------|----------------|----------------|--|
| ENTRY SIZE | Z +.010 -.020 | S DIA | Y ±.015 [±0.38] | F MAX | G MAX | H MAX | J MAX | K MAX | |
| 04 | .250 [6.35] | .376 [9.56] .370 [9.39] | .550 [13.97] | N/A | N/A | N/A | N/A | N/A | |
| 05 | .312 [7.92] | .438 [11.13] .432 [10.97] | .612 [15.54] | .77 [19.6] | .93 [23.6] | 1.19 [30.2] | 1.16 [29.5] | .80 [20.3] | |
| 06 | .375 [9.52] | .501 [12.73] .495 [12.57] | .675 [17.14] | .77 [19.6] | .93 [23.6] | 1.19 [30.2] | 1.16 [29.5] | .80 [20.3] | |
| 07 | .437 [11.09] | .563 [14.31] .556 [14.12] | .737 [18.71] | .80 [20.3] | .95 [24.1] | 1.38 [35.1] | 1.22 [31.0] | .92 [23.4] | |
| 08 | .500 [12.70] | .626 [15.91] .619 [15.72] | .800 [20.32] | .80 [20.3] | .95 [24.1] | 1.38 [35.1] | 1.22 [31.0] | .92 [23.4] | |
| 10 | .625 [15.87] | .752 [19.11] .742 [18.84] | .925 [23.49] | .84 [21.3] | 1.00 [25.4] | 1.51 [38.4] | 1.35 [34.3] | 1.18 [30.0] | |
| 12 | .750 [19.05] | .877 [22.28] .867 [22.02] | 1.050 [26.67] | .88 [22.4] | 1.01 [25.7] | 1.63 [41.4] | 1.40 [35.6] | 1.35 [34.3] | |
| 14 | .875 [22.23] | 1.002 [25.46] .991 [25.17] | 1.175 [29.84] | .88 [22.4] | 1.04 [26.4] | 1.78 [45.2] | 1.46 [37.1] | 1.41 [35.8] | |
| 16 | 1.000 [25.40] | 1.127 [28.63] 1.116 [28.34] | 1.300 [33.02] | .93 [23.6] | 1.06 [26.9] | 1.88 [47.8] | 1.53 [38.9] | 1.60 [40.6] | |
| 18 | 1.125 [28.57] | 1.252 [31.81] 1.241 [31.52] | 1.425 [36.19] | .93 [23.6] | 1.09 [27.7] | 2.01 [51.1] | 1.59 [40.4] | 1.66 [42.2] | |
| 20 | 1.250 [31.75] | 1.377 [34.98] 1.366 [34.69] | 1.550 [39.37] | .98 [24.9] | 1.13 [28.7] | 2.13 [54.1] | 1.78 [45.2] | 2.04 [51.8] | |
| 22 | 1.375 [34.93] | 1.502 [38.15] 1.488 [37.79] | 1.675 [42.55] | 1.03 [26.2] | 1.38 [35.1] | 2.29 [58.2] | 1.85 [47.0] | 2.23 [56.6] | |
| 24 | 1.500 [38.10] | 1.627 [41.33] 1.613 [40.97] | 1.800 [45.72] | 1.08 [27.2] | 1.44 [36.6] | 2.42 [61.5] | 1.92 [48.8] | 2.23 [56.6] | |

Raychem Adapters
CUSTOMER DRAWING

If this document is printed it becomes uncontrolled. Check for the latest revision

| | | | |
|-----------------------|--------------------------|-------------------------|--------------|
| SIZE A | CODE IDENT. NO. 06090 | DWG. NO. TXR40 | REV J |
| DO NOT SCALE THIS DWG | | CAD NAME txr40_3_j_cd_j | SHEET 3 OF 3 |

Компания «Океан Электроники» предлагает заключение долгосрочных отношений при поставках импортных электронных компонентов на взаимовыгодных условиях!

Наши преимущества:

- Поставка оригинальных импортных электронных компонентов напрямую с производств Америки, Европы и Азии, а так же с крупнейших складов мира;
- Широкая линейка поставок активных и пассивных импортных электронных компонентов (более 30 млн. наименований);
- Поставка сложных, дефицитных, либо снятых с производства позиций;
- Оперативные сроки поставки под заказ (от 5 рабочих дней);
- Экспресс доставка в любую точку России;
- Помощь Конструкторского Отдела и консультации квалифицированных инженеров;
- Техническая поддержка проекта, помощь в подборе аналогов, поставка прототипов;
- Поставка электронных компонентов под контролем ВП;
- Система менеджмента качества сертифицирована по Международному стандарту ISO 9001;
- При необходимости вся продукция военного и аэрокосмического назначения проходит испытания и сертификацию в лаборатории (по согласованию с заказчиком);
- Поставка специализированных компонентов военного и аэрокосмического уровня качества (Xilinx, Altera, Analog Devices, Intersil, Interpoint, Microsemi, Actel, Aeroflex, Peregrine, VPT, Syfer, Eurofarad, Texas Instruments, MS Kennedy, Miteq, Cobham, E2V, MA-COM, Hittite, Mini-Circuits, General Dynamics и др.);

Компания «Океан Электроники» является официальным дистрибьютором и эксклюзивным представителем в России одного из крупнейших производителей разъемов военного и аэрокосмического назначения «JONHON», а так же официальным дистрибьютором и эксклюзивным представителем в России производителя высокотехнологичных и надежных решений для передачи СВЧ сигналов «FORSTAR».



JONHON

«JONHON» (основан в 1970 г.)

Разъемы специального, военного и аэрокосмического назначения:

(Применяются в военной, авиационной, аэрокосмической, морской, железнодорожной, горно- и нефтедобывающей отраслях промышленности)

«FORSTAR» (основан в 1998 г.)

ВЧ соединители, коаксиальные кабели, кабельные сборки и микроволновые компоненты:

(Применяются в телекоммуникациях гражданского и специального назначения, в средствах связи, РЛС, а так же военной, авиационной и аэрокосмической отраслях промышленности).



Телефон: 8 (812) 309-75-97 (многоканальный)

Факс: 8 (812) 320-03-32

Электронная почта: ocean@oceanchips.ru

Web: <http://oceanchips.ru/>

Адрес: 198099, г. Санкт-Петербург, ул. Калинина, д. 2, корп. 4, лит. А