

## General Description

The MIC2772 is a dual power supply supervisor that provides under-voltage monitoring and power-on reset generation. It may replace two discrete voltage supervisors such as MIC1810, MIC1815, MIC809, MIC811, MIC6315, etc. The two voltage supervisors are completely independent. Each functional block features an under-voltage detector, a delay-generator, and a de-bounced manual reset input.

A wide choice of voltage thresholds is available. The reset output is asserted at power-on and any time the input voltage drops below the reference voltage. It remains asserted for the chosen timeout period after the input rises back above the threshold. Reset timeouts of 20, 140, and 1100ms (minimum) are available.

A reset can be generated at any time by asserting the manual reset input, /MR. This input is internally de-bounced, and the reset output will remain active for the timeout period after the release of /MR. The /MR input can also be used to daisy-chain one or more of the MIC2772's supervisors onto existing power monitoring circuitry or other supervisors.

The tiny 2x2mm MLF package has a footprint smaller than that of a single SOT23 voltage supervisor.

Data sheets and support documentation can be found on Micrel's web site at [www.micrel.com](http://www.micrel.com).

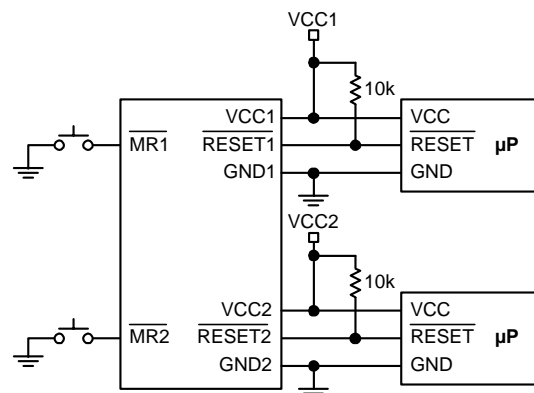
## Features

- Two independent voltage supervisors
- Directly replaces discrete supervisors
- Generates power-on reset pulses
- De-bounced manual reset Inputs
- Choice of voltage thresholds
- 20, 140, or 1100ms reset timeouts
- Reset output may be pulled above VCC
- Rejects brief input transients
- Ultra-small 2x2mm MLF package

## Applications

- Servers
- Embedded Controllers
- Telecommunications Systems
- Power Supply Sequencing
- Hot-swapping
- Power supplies

## Typical Application



**MIC2772 Typical Application Circuit**

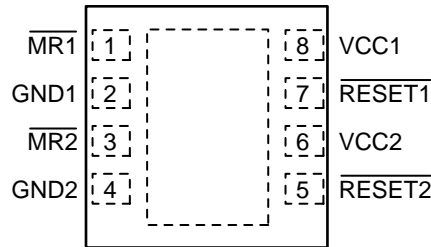
### Ordering Information

Part Number		Top Mark		Supervisor 1		Supervisor 2	
Standard	Pb-Free	Standard	Pb-Free	V <sub>TH</sub> (V)	t <sub>RESET</sub> (ms)	V <sub>TH</sub> (V)	t <sub>RESET</sub> (ms)
	MIC2772-L2L3YML <sup>(2)</sup>		UP0	4.63	20	4.63	140
	MIC2772-M2M3YML <sup>(2)</sup>		UP1	4.38	20	4.38	140
MIC2772-L3L3BML <sup>(1)</sup>	MIC2772-L3L3YML <sup>(1)</sup>	UP2	UP2	4.63	140	4.63	140
MIC2772-M3M3BML <sup>(1)</sup>	MIC2772-M3M3YML <sup>(1)</sup>	UP3	UP3	4.38	140	4.38	140
MIC2772-T3T3BML <sup>(1)</sup>	MIC2772-T3T3YML <sup>(1)</sup>	UP4	UP4	3.08	140	3.08	140
MIC2772-S3S3BML <sup>(1)</sup>	MIC2772-S3S3YML <sup>(1)</sup>	UP5	UP5	2.93	140	2.93	140
	MIC2772-T2T3YML <sup>(2)</sup>		UP6	3.08	20	3.08	140
	MIC2772-S2S3YML <sup>(2)</sup>		UP7	2.93	20	2.93	140
	MIC2772-L3T3YML <sup>(2)</sup>		UP8	4.63	140	3.08	140
	MIC2772-M3S3YML <sup>(2)</sup>		UP9	4.38	140	2.93	140

Note:

1. Available now.
2. Contact factory.

### Pin Configuration



8-lead 2mm X 2mm MLF(ML)

## Pin Description

Pin Number	Pin Name	Pin Function
1	/MR1	Digital Input; supervisor 1. Driving this pin low initiates an immediate and unconditional reset. If VCC1 is above the threshold when /MR1 is released (returns high), RESET1 will be de-asserted no less than $t_{\text{RESET1}}$ later. /MR1 may be driven by a CMOS or TTL logic signal or a mechanical switch. De-bouncing is performed internally. /MR1 has an internal pull-up to VCC1; leave open if unused.
2	GND1	Ground return for supervisor 1.
3	/MR2	Digital Input; supervisor 2. Driving this pin low initiates an immediate and unconditional reset. If VCC2 is above the threshold when /MR2 is released (returns high), the /RESET2 will be de-asserted no less than $t_{\text{RESET2}}$ later. /MR2 may be driven by a CMOS or TTL logic signal or a mechanical switch. De-bouncing is performed internally. /MR2 has an internal pull-up to VCC2; leave open if unused.
4	GND2	Ground return for supervisor 2.
5	/RESET2	Digital Output; open-drain; supervisor 2. Asserted low whenever VCC2 falls below the threshold voltage. It remains asserted for no less than $t_{\text{RESET2}}$ and is de-asserted after VCC2 returns above the threshold.
6	VCC2	Analog Input. Power supply input for supervisor 2.
7	/RESET1	Digital Output; open-drain; supervisor 1. Asserted low whenever VCC1 falls below the threshold voltage. It remains asserted for no less than $t_{\text{RESET1}}$ and is de-asserted after VCC1 returns above the threshold.
8	VCC1	Analog Input. Power supply input for supervisor 1.

### Absolute Maximum Ratings<sup>(1)</sup>

Supply Voltage, V<sub>CC</sub>.....-0.3V to 6.0V  
 Input Voltage, /MR..... -0.3V to V<sub>CC</sub> + 0.3V  
 Input Voltage, /RESET .....-0.3V to 6.0V  
 Input Current (V<sub>CC</sub>, /MR)..... 20mA  
 Output Current (/RESET) ..... 20mA  
 Storage Temperature..... -65°C to +150°C  
 ESD Rating (Note 3).....3kV

### Operating Ratings<sup>(2)</sup>

Supply Voltage..... 1V to 5.5V  
 Input Voltage (/MR )..... 0 to 5.5V  
 Input Voltage (/RESET ) ..... 0 to +5.5V  
 Operating Temperature Range (T<sub>A</sub>).... -40°C to +85°C  
 Lead Temperature – Soldering, 10s .....300°C  
 Package Thermal Resistance (θ<sub>JA</sub>)..... 93°C/W

### Electrical Characteristics

For typical values, T<sub>A</sub> = 25°C, 2.5V ≤ V<sub>CCn</sub> ≤ 5.5V; values in bold are for 2.5V ≤ V<sub>CCn</sub> ≤ 5.5V, T<sub>MIN</sub> ≤ T<sub>A</sub> ≤ T<sub>MAX</sub>, unless otherwise noted.

Symbol	Parameter	Condition	Min	Typ	Max	Units
<b>Power Supply</b>						
I <sub>DD</sub>	Supply Current	/MR1 = /MR2 = /RESET1 = /RESET2 = open, V <sub>CC1</sub> = V <sub>CC2</sub> = 5.5V		10	<b>30</b>	μA
		/MR1 = /MR2 = /RESET1 = /RESET2 = open, V <sub>CC1</sub> = V <sub>CC2</sub> = 3.6V		10	<b>20</b>	μA
		/MR1 = /MR2 = /RESET1 = /RESET2 = open, V <sub>CCn</sub> = 0V, V <sub>CCm</sub> = 5.5V		5	<b>15</b>	μA
		/MR1 = /MR2 = /RESET1 = /RESET2 = open, V <sub>CCn</sub> = 0V, V <sub>CCm</sub> = 3.6V		5	<b>10</b>	μA
<b>/RESETn OUTPUTS</b>						
V <sub>THn</sub>	Reset-voltage threshold	L voltage code	<b>4.5</b>	4.63	<b>4.75</b>	V
		M voltage code	<b>4.25</b>	4.38	<b>4.50</b>	V
		S voltage code	<b>2.85</b>	2.93	<b>3.00</b>	V
		T voltage code	<b>3.00</b>	3.08	<b>3.15</b>	V
t <sub>RESET</sub>	Reset Pulse Width	timeout code = 2	<b>20</b>		<b>44</b>	ms
		timeout code = 3	<b>140</b>		<b>320</b>	
		timeout code = 4	<b>1100</b>		<b>2500</b>	
V <sub>OL</sub>	/RESET Output Voltage Low	V <sub>CCn</sub> ≥ 4.25V, I <sub>SINK</sub> = 3.2mA			<b>0.4</b>	V
		V <sub>CCn</sub> ≥ 2.5V, I <sub>SINK</sub> = 1.2mA			<b>0.3</b>	V
		V <sub>CCn</sub> ≥ 1V, I <sub>SINK</sub> = 50μA			<b>0.3</b>	V
I <sub>LEAK</sub>	Output leakage	/RESET not asserted			<b>±1</b>	μA
<b>/MRn INPUTS</b>						
V <sub>IH</sub>	Input Voltage, High	V <sub>THn</sub> > 4.0V	<b>2.3</b>			V
		V <sub>THn</sub> < 4.0V	<b>0.7*V<sub>CC</sub></b>			V
V <sub>IL</sub>	Input Voltage, Low	V <sub>THn</sub> > 4.0V			<b>0.8</b>	V
		V <sub>THn</sub> < 4.0V			<b>0.25*V<sub>CC</sub></b>	V

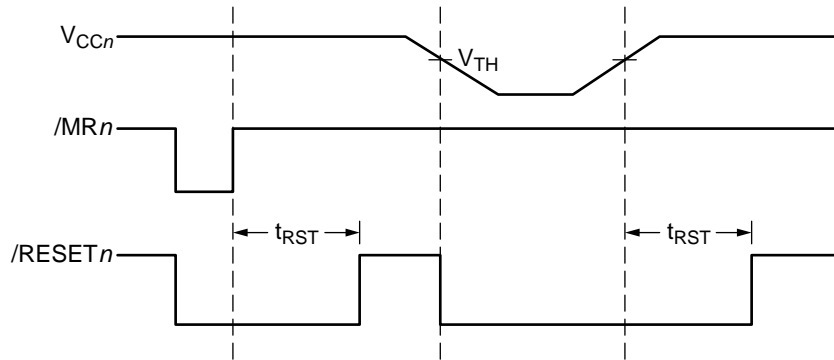
**Electrical Characteristics cont.**

Symbol	Parameter	Condition	Min	Typ	Max	Units
$t_{PROP}$	/MR to /RESET Propagation Delay	$/MRn < V_{IL} \rightarrow /RESETn < V_{IL}$		0.5		$\mu s$
$t_{MIN}$	Minimum Input Pulse Width	Reset Occurs	<b>10</b>			$\mu s$
$t_{REJECT}$	Widest Pulse Ignored	No Reset Occurs		100		ns
$R_{PU}$	Pull-up Resistance		<b>10</b>	20	<b>30</b>	$k\Omega$

Notes:

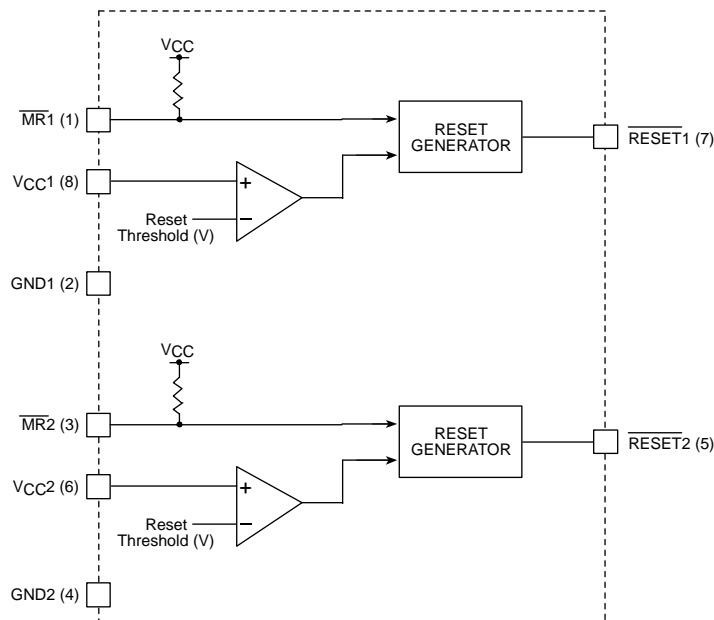
1. Exceeding the absolute maximum rating may damage the device.
2. The device is not guaranteed to function outside its operating rating.
3. Devices are ESD sensitive. Handling precautions recommended. Human body model, 1.5k in series with 100pF.

**Timing Diagram**



MIC2772 Timing Diagram

## Functional Block Diagram



MIC2772 Block Diagram

## Application Information

### Reset Output, /RESET

The /RESET pin is active low (open drain) pin. The /RESET pin is asserted whenever VCC falls below the reset threshold voltage or if /MR (manual reset) is forced low. The /RESET pin remains asserted for the duration of the threshold timeout period after VCC has risen above the reset threshold and/or /MR has returned high. The reset function ensures the microprocessor is properly reset and power up in a known condition after a power failure. /RESET will remain valid with VCC as low as 1.0V.

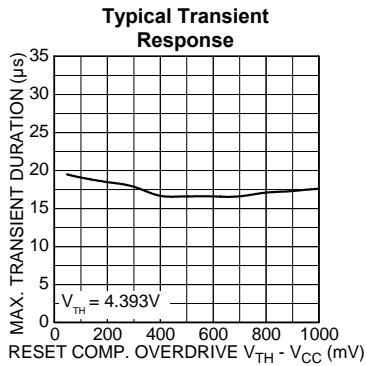
The /RESET output is a simple open-drain N-channel MOSFET structure. A pull-up resistor must be used to pull this output to some voltage. For most applications, this voltage will be the same power supply that supplies VCC to MIC2772. It is possible however to tie this resistor to some other voltage. This will allow the MIC2772 to monitor one voltage while level-shifting the /RESET output to some other voltage. The pull-up voltage must be limited to 6.0V or less (absolute maximum) to avoid damage to the MIC2772. The resistor must be small enough to supply current to the inputs and leakage paths that are driven by the /RESET output.

### Manual Reset Input, /MR

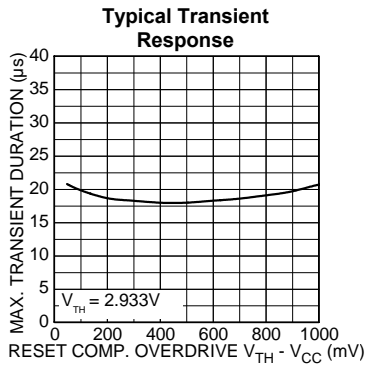
The ability to initiate a reset via external logic or a manual switch is provided in addition to the MIC2772's automatic supervisory functions. Driving the /MR input to a logic low causes an immediate and unconditional reset to occur. Assuming VCC is within tolerance when /MR is released (returns high), the /RESET output will be de-asserted no less than  $t_{\text{RESET}}$  later. /MR may be driven by a CMOS or TTL logic signal, or a mechanical switch. Typically, a momentary push-button switch is connected such that /MR is shorted to ground when the switch contacts close. Switch de-bouncing is performed internally; the switch may be connected directly between /MR and GND. /MR has an internal 20k $\Omega$  pull-up resistor (typical) to VCC and may be left open if unused.

**Transients on VCC**

The MIC2772 is inherently immune to very short “glitches” on VCC. In the case of very brief transients, VCC may drop below the reset-voltage threshold without triggering a reset. As shown in the graph, the MIC2772 is relatively immune to transients with typical duration of 25us. The lines on the graph represent the typical allowable transient duration for a given amount of threshold overdrive that will not generate a reset. The data was taken by adding negative-going square-wave pulse to a DC input voltage set at 0.5V above actual measured threshold for the part being characterized. Figure 1 shows the graph for the MIC2772[UP3] and Figure 2 shows the graph for the MIC2772[UP5]



**Figure 1**



**Figure 2**

**Interfacing to Processors with Bi-directional Reset Pins**

Some microprocessors have reset signal pins that are bi-directional, rather than input only. The

Motorola 68HC11 family is one example. Because the MIC2772’s output is active-low, open-drain, it can be connected directly to the processor’s reset pin with only the pull-up resistor normally required.

**MIC2772 Replaces Single Supervisor**

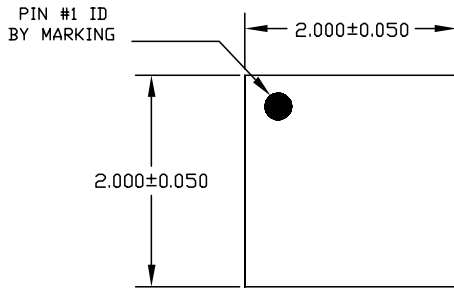
The table below lists common single voltage supervisors that can be considered for replacement by MIC2772.

P/N Suffix	Supervisor #1	Supervisor #2
L2L3	MIC6315-46D2	MIC1810-5, MIC6315-46D3, MIC809L, MIC811L
M2M3	MIC6315-44D2	MIC1810-10, MIC6315-44D3, MIC809M, MIC811M
L3L3	MIC1810-5, MIC6315-46D3, MIC809L, MIC811L	MIC1810-5, MIC6315-46D3, MIC809L, MIC811L
M3M3	MIC1810-10, MIC6315-44D3, MIC809M, MIC811M	MIC1810-10, MIC6315-44D3, MIC809M, MIC811M
T3T3	MIC6315-31D3, MIC809T, MIC811T	MIC6315-31D3, MIC809T, MIC811T
S3S3	MIC1815-10, MIC6315-29D3, MIC809S, MIC811S	MIC1815-10, MIC6315-29D3, MIC809S, MIC811S
T2T3	MIC6315-31D2	MIC6315-31D3, MIC809T, MIC811T
S2S3	MIC6315-29D2	MIC1815-10, MIC6315-29D3, MIC809S, MIC811S
L3T3	MIC1810-5, MIC6315-46D3, MIC809L, MIC811L	MIC6315-31D3, MIC809T, MIC811T
M3S3	MIC1810-10, MIC6315-44D3, MIC809M, MIC811M	MIC1815-10, MIC6315-29D3, MIC809S, MIC811S

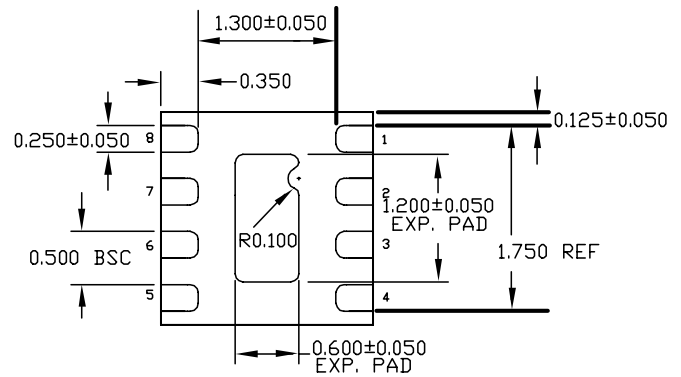




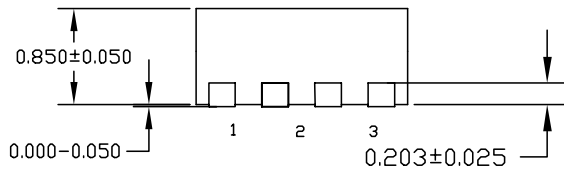
**Package Information**



TOP VIEW



BOTTOM VIEW



SIDE VIEW

NOTE:

1. ALL DIMENSIONS ARE IN MILLIMETERS.
2. MAX. PACKAGE WARPAGE IS 0.05 mm.
3. MAXIMUM ALLOWABLE BURRS IS 0.076 mm IN ALL DIRECTIONS.
4. PIN #1 ID ON TOP WILL BE LASER/INK MARKED.

**8-Pin 2mm X 2mm MLF (ML)**

**MICREL, INC. 2180 FORTUNE DRIVE SAN JOSE, CA 95131 USA**  
 TEL +1 (408) 944-0800 FAX +1 (408) 474-1000 WEB <http://www.micrel.com>

The information furnished by Micrel in this data sheet is believed to be accurate and reliable. However, no responsibility is assumed by Micrel for its use. Micrel reserves the right to change circuitry and specifications at any time without notification to the customer.

Micrel Products are not designed or authorized for use as components in life support appliances, devices or systems where malfunction of a product can reasonably be expected to result in personal injury. Life support devices or systems are devices or systems that (a) are intended for surgical implant into the body or (b) support or sustain life, and whose failure to perform can be reasonably expected to result in a significant injury to the user. A Purchaser's use or sale of Micrel Products for use in life support appliances, devices or systems is a Purchaser's own risk and Purchaser agrees to fully indemnify Micrel for any damages resulting from such use or sale.

© 2005 Micrel, Incorporated.

Компания «Океан Электроники» предлагает заключение долгосрочных отношений при поставках импортных электронных компонентов на взаимовыгодных условиях!

Наши преимущества:

- Поставка оригинальных импортных электронных компонентов напрямую с производств Америки, Европы и Азии, а так же с крупнейших складов мира;
- Широкая линейка поставок активных и пассивных импортных электронных компонентов (более 30 млн. наименований);
- Поставка сложных, дефицитных, либо снятых с производства позиций;
- Оперативные сроки поставки под заказ (от 5 рабочих дней);
- Экспресс доставка в любую точку России;
- Помощь Конструкторского Отдела и консультации квалифицированных инженеров;
- Техническая поддержка проекта, помощь в подборе аналогов, поставка прототипов;
- Поставка электронных компонентов под контролем ВП;
- Система менеджмента качества сертифицирована по Международному стандарту ISO 9001;
- При необходимости вся продукция военного и аэрокосмического назначения проходит испытания и сертификацию в лаборатории (по согласованию с заказчиком);
- Поставка специализированных компонентов военного и аэрокосмического уровня качества (Xilinx, Altera, Analog Devices, Intersil, Interpoint, Microsemi, Actel, Aeroflex, Peregrine, VPT, Syfer, Eurofarad, Texas Instruments, MS Kennedy, Miteq, Cobham, E2V, MA-COM, Hittite, Mini-Circuits, General Dynamics и др.);

Компания «Океан Электроники» является официальным дистрибьютором и эксклюзивным представителем в России одного из крупнейших производителей разъемов военного и аэрокосмического назначения «**JONHON**», а так же официальным дистрибьютором и эксклюзивным представителем в России производителя высокотехнологичных и надежных решений для передачи СВЧ сигналов «**FORSTAR**».



## JONHON

«**JONHON**» (основан в 1970 г.)

Разъемы специального, военного и аэрокосмического назначения:

(Применяются в военной, авиационной, аэрокосмической, морской, железнодорожной, горно- и нефтедобывающей отраслях промышленности)

«**FORSTAR**» (основан в 1998 г.)

ВЧ соединители, коаксиальные кабели, кабельные сборки и микроволновые компоненты:

(Применяются в телекоммуникациях гражданского и специального назначения, в средствах связи, РЛС, а так же военной, авиационной и аэрокосмической отраслях промышленности).



Телефон: 8 (812) 309-75-97 (многоканальный)

Факс: 8 (812) 320-03-32

Электронная почта: [ocean@oceanchips.ru](mailto:ocean@oceanchips.ru)

Web: <http://oceanchips.ru/>

Адрес: 198099, г. Санкт-Петербург, ул. Калинина, д. 2, корп. 4, лит. А