

Plastic Infrared Emitting Diode

OP290 Series



Features:

- Choice of narrow or wide irradiance pattern
- Choice of power ranges
- Choice of T-1¾, TO-18 or T-46 package
- Higher power output than GaAs at equivalent LEDs

Description:

Each device in this series, is a gallium aluminum arsenide infrared Light Emitting Diode (LED) that is molded in an IR-transmissive package with a wavelength centered at 890 nm, which closely matches the spectral response of silicon phototransistors, except for OP298 (AA, AB, AC, AD), which has either an 850 nm or 875 nm center wavelength. For identification purposes, each LED anode lead is longer than the cathode lead. **Package T-1¾** devices include: **OP290, OP291, OP292, OP294, OP295, OP296, OP297, OP299 (A, B, C)** and **OP297FAB**, **Plastic Package TO-18 or TO-46** devices include: **OP293** and **OP298 (A, B, C, AA, AD)**.

Each **OP290, OP291** and **OP292** series come in three electrical parameters options A, B and C. The **OP290** series forward current is specified under pulse conditions up to 1.5 amps, the **OP291** series forward current is specified under pulse conditions up to 100 milliamps and the **OP292** series forward current is specified under pulse conditions up to 1 amp. The Cathode Lead length is 0.06" (1.52 mm) shorter than the Anode Lead. The silver-copper lead frame offers excellent thermal characteristics.

Each **OP293** and **OP298** series come in three electrical parameter options A, B and C. The **OP293** series has an included emission angle of 60° while the **OP298** series has an included emission angle of 25°. The Cathode Lead length is 0.06" (1.52 mm) shorter than the Anode Lead. These devices, which come in a variety of power ranges offering a low cost replacement for TO-18 or TO-46 hermetic packages.

Each **OP298** series come with a high irradiance output versions with four electrical parameter options AA, AB, AC and AD. These power options are in the range of **5X** greater than the A, B or C options. The **OP298** series has an included emission angle of 25°. The Cathode Lead length is 0.06" (1.52 mm) shorter than the Anode Lead. These devices, which come in a variety of power ranges offering a low cost replacement for TO-18 or TO-46 hermetic packages.

OP294 and **OP299** are designed for low-current or power-limited applications, such as battery supplies. They are similar to the **OP290** and **OP295**, but use a smaller chip that increases output efficiency at low current levels by increasing current density. Light output can be maximized with continuous (D.C.) forward current up to 100 mA or with pulsed forward current up to 750 mA. The Cathode Lead length is 0.06" (1.52 mm) shorter than the Anode Lead.

Each **OP295, OP296** and **OP297** series come in three electrical parameters options A, B and C. The **OP295** series forward current is specified under pulse conditions up to 5 amps, the **OP296** series forward current is specified under pulse conditions up to 2 amps and the **OP297** series forward current is specified under pulse conditions up to 1 amp. The Cathode Lead length is 0.06" (1.52 mm) shorter than the Anode Lead. The **OP297FAB** has a reversed polarity from the **OP297A, B**. The silver-copper lead frame offers excellent thermal characteristics.

All of these devices are spectrally and mechanically matched to the OP593 and OP598 series phototransistors.

Please refer to Application Bulletins 208 and 210 for additional design information and reliability (degradation) data.

Applications:



RoHS

- Non-contact reflective object sensor
- Assembly line automation
- Machine automation
- Machine safety
- End of travel sensor
- Door sensor
- Battery-operated applications

General Note

TT Electronics reserves the right to make changes in product specification without notice or liability. All information is subject to TT Electronics' own data and is considered accurate at time of going to print.

TT Electronics | OPTEK Technology
1645 Wallace Drive, Carrollton, TX 75006 | Ph: +1 972 323 2200
www.ttelectronics.com | sensors@ttelectronics.com

Plastic Infrared Emitting Diode

OP290 Series



Part Number Guide — OP290 - OP299 Series



- 0, 5 — 5 amps
- 1, 6 — 2 amps
- 2, 7 — 1 amps
- 3, 8 — 200 milli-amps
- 4, 9 — 750 milli-amps

Electrical Specification Variations:

- A — Parameter A
- B — Parameter B
- C — Parameter C
- D — Parameter D
- AA — Parameter BA
- AB — Parameter BB
- AC — Parameter BC
- AD — Parameter BD



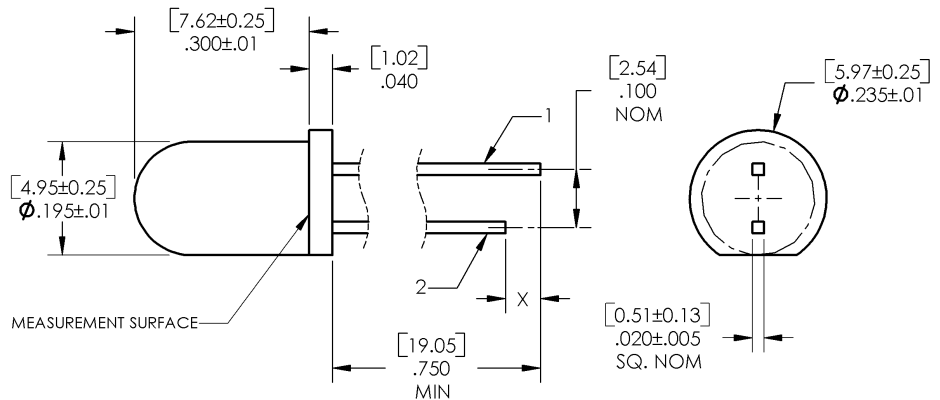
T-1 $\frac{3}{4}$ Package OP290, OP291, OP292, OP294, OP295, OP296, OP297, OP299

Electrical Connection A, B, C, D

| Pin # | LED X=0.060" (1.52 mm) |
|-------|---------------------------|
| 1 | Anode |
| 2 | Cathode |

Electrical Connection OP297AB

| Pin # | LED X=0.060" (1.52 mm) |
|-------|---------------------------|
| 1 | Cathode |
| 2 | Anode |



TO-18, TO-46 Package OP293 & OP298



Electrical Connection A, B, C, AA, AB, AC, AD

| Pin # | LED X=0.060" (1.52 mm) |
|-------|---------------------------|
| 1 | Anode |
| 2 | Cathode |



General Note

TT Electronics reserves the right to make changes in product specification without notice or liability. All information is subject to TT Electronics' own data and is considered accurate at time of going to print.

TT Electronics | OPTEK Technology
1645 Wallace Drive, Carrollton, TX 75006 | Ph: +1 972 323 2200
www.ttelectronics.com | sensors@ttelectronics.com

Electrical Specifications

Absolute Maximum Ratings ($T_A = 25^\circ\text{C}$ unless otherwise noted)

| | |
|--|---|
| Storage and Operating Temperature Range | -40° C to +100° C |
| Reverse Voltage OP290, OP292, OP294, OP295, OP297, OP299 OP291, OP293, OP296, OP298 | 5.0 V 2.0 V |
| Continuous Forward Current OP290, OP291, OP292 OP294, OP295, OP299 OP295, OP296, OP297 | 150 mA ⁽¹⁾ 100 mA ⁽¹⁾ 150 mA ⁽¹⁾ |
| Continuous Forward Current, OP293, OP298 Free Air Board Mounted Full Heat Sink | 100 mA 133 mA 200 mA |
| Peak Forward Current OP290, OP295 (25 μs pulse width) OP291, OP296 (100 μs pulse width) OP292, OP297 (100 μs pulse width) OP293, OP298 (25 μs pulse width) OP294, OP299 | 5.0 A 2.0 A 1.00 A 2.0 A 750 mA |

Notes:

1. For OP290, OP291, OP292, OP295, OP296 and OP297, derate linearly 1.67 mA/° C above 25° C (free-air). When used with heat sink (see note 5), derate linearly 2.07 mA/° C above 65° C (normal use). For OP293 and OP298, when measured in free-air, derate power dissipation linearly 1.43 mW/° C above 25° C. For OP294 and OP299, derate linearly 1.80 mW/° C above 25° C.

General Note

TT Electronics reserves the right to make changes in product specification without notice or liability. All information is subject to TT Electronics' own data and is considered accurate at time of going to print.

Electrical Specifications

Absolute Maximum Ratings ($T_A = 25^\circ\text{C}$ unless otherwise noted)

| | |
|---|--|
| Maximum Duty Cycle OP290 (25 μs pulse width @ 5 A) | 1.25% ⁽¹⁾ |
| Lead Soldering Temperature [1/16 inch (1.6 mm) from case for 5 seconds with soldering iron] | 260° C ⁽²⁾ |
| Power Dissipation, Free Air OP290, OP291, OP292, OP295, OP296, OP297 OP293, OP298 | 333 mW ⁽³⁾ 142 mW ⁽³⁾ |
| Power Dissipation, Board Mounted OP290, OP291, OP292, op295, OP296, OP297 OP293, OP298 | 533 mW ⁽⁴⁾ 200 mW ⁽⁴⁾ |
| Power Dissipation, Full Heat Sink OP290, OP291, OP292, OP295, OP296, OP297 OP293, OP298 | 1.11 W ⁽⁵⁾ 400 mW ⁽⁵⁾ |
| Power Dissipation OP294, OP299 | 180 mW |

Notes:

- For OP290, OP291, OP292, OP295, OP296 and OP297, refer to graph of Maximum Peak Pulse Current vs Pulse Width.
- For all OPs in this series, RMA flux is recommended. Duration can be extended to 10 second maximum when soldering. A maximum of 20 grams force may be applied to the leads when flow soldering.
- For OP290, OP291, OP292, OP295, OP296 and OP297, measured in free-air. Derate linearly 3.33 mW/° C above 25° C.
- For OP290, OP291 and OP292, mounted on 1/16" (1.6 mm) thick PCBoard with each lead soldered through 80 mil square lands 0.250" (6.35 mm) below flange of device. Derate linearly 5.33 mW/°C above 62.5°. For OP293 and OP298, mounted on 1/16" (1.60 mm) thick PCBoard with each lead soldered through 80 mil square lands 0.250" (6.35 mm) below flange of device. Derate power dissipation linearly 2.00 mW/°C above 25° C (normal use). For OP295, OP296 and OP297, mounted on 1/16" (1.6 mm) thick PCBoard with each lead soldered through 80 mil square lands 0.250" (6.35 mm) below flange of device. Derate linearly 5.33 mW/°C above 25° C.
- Immersed in silicone fluid to simulate infinite heat sink. For OP290, OP291 and OP292, derate linearly 11.1 mW/°C above 95°C. For OP293 and OP298, derate power dissipation linearly 2.50 mW/° C above 25° C. For OP295, OP296 and OP297, derate linearly 11.1 mW/° C above 25° C.

General Note

TT Electronics reserves the right to make changes in product specification without notice or liability. All information is subject to TT Electronics' own data and is considered accurate at time of going to print.

TT Electronics | OPTEK Technology
1645 Wallace Drive, Carrollton, TX 75006 | Ph: +1 972 323 2200
www.ttelectronics.com | sensors@ttelectronics.com

Plastic Infrared Emitting Diode

OP290 Series



Electrical Specifications

Electrical Characteristics ($T_A = 25^\circ \text{C}$ unless otherwise noted)

| SYMBOL | PARAMETER | MIN | TYP | MAX | UNITS | TEST CONDITIONS | |
|--------------------|-----------------------------|------|------|---|--------------------|---|---|
| Input Diode | | | | | | | |
| $E_{E(APT)}^{(2)}$ | Apertured Radiant Incidence | | | | | | |
| | OP290A | 210 | - | - | mW/cm ² | $I_F = 1.50 \text{ A}^{(1)(2)}$ Measured into a 0.250" [6.35mm] aperture 0.2" (5.08 mm) from the tip of the lens. | |
| | OP290B | 180 | - | 300 | | | |
| | OP290C | 150 | - | - | | | |
| | OP291A | 16 | - | - | | | $I_F = 100 \text{ mA}^{(1)(2)}$ Measured into a 0.250" [6.35mm] aperture 0.2" (5.08 mm) from the tip of the lens. |
| | OP291C | 10 | - | - | | | |
| | OP292A | 2.7 | - | - | | | $I_F = 20 \text{ mA}^{(1)(2)}$ Measured into a 0.250" [6.35mm] aperture 0.2" (5.08 mm) from the tip of the lens. |
| | OP293A | 16 | - | - | | | $I_F = 100 \text{ mA}^{(1)(2)}$ Measured into a 0.250" [6.35mm] aperture 0.2" (5.08 mm) from the tip of the lens. |
| | OP293B | 13 | 22 | 26 | | | |
| | OP293C | 10 | - | - | | | |
| | OP294 | 0.50 | - | 1.50 | | | $I_F = 5 \text{ mA}^{(1)(2)}$ Measured into a 0.250" [6.35mm] aperture 0.200" (5.08mm) from the tip of the lens. |
| | OP295A | 44 | - | - | | | $I_F = 1.50 \text{ A}^{(1)(2)}$ Measured into a 0.250" [6.35mm] aperture 1.129" (28.7 mm) from the tip of the lens. |
| | OP295B | 33 | - | 77 | | | |
| OP296A | 3.6 | - | - | $I_F = 100 \text{ mA}^{(1)(2)}$ Measured into a 0.250" [6.35mm] aperture 1.129" (28.7 mm) from the tip of the lens. | | | |
| OP296B | 2.6 | - | 6.6 | | | | |
| OP297FAB | 2.4 | - | - | $I_F = 20 \text{ mA}^{(1)(2)}$ Measured into a 0.250" [6.35mm] aperture 1.129" (28.7 mm) from the tip of the lens. | | | |
| OP297A | 0.7 | - | - | | | | |
| OP297B | 0.5 | 1.0 | 1.3 | | | | |
| OP298A | 3.0 | - | - | $I_F = 100 \text{ mA}^{(1)(2)}$ Measured into a 0.250" [6.35mm] aperture 0.2" (5.08 mm) from the tip of the lens. | | | |
| OP298B | 2.4 | - | 4.8 | | | | |
| OP298C | 1.8 | - | - | | | | |
| OP298AA | 3.5 | - | - | $I_F = 100 \text{ mA}^{(1)(2)}$ Measured into a 0.250" [6.35mm] aperture 1.129" (28.7 mm) from the tip of the lens. | | | |
| OP298AD | 8.5 | - | - | | | | |
| OP299 | 0.15 | - | 0.45 | $I_F = 100 \text{ mA}^{(1)(2)}$ Measured into a 0.250" [6.35mm] aperture 1.129" (28.7 mm) from the tip of the lens. | | | |

Notes:

- Measurement is taken at the end of a single 100 μs pulse. Heating due to increased pulse rate or pulse width will cause a decrease in reading.
- Measurement of the average apertured radiant energy incident upon a sensing area 0.250" (6.35 mm) in diameter perpendicular to and centered on the mechanical axis of the lens and the specified distance from the end of the device. On all models in this series, $E_{E(APT)}$ is not necessarily uniform within the measured area.
- Measurement is taken at the end of a single 10 ms pulse. Heating due to increased pulse rate or pulse width will cause a decrease in reading.

General Note

TT Electronics reserves the right to make changes in product specification without notice or liability. All information is subject to TT Electronics' own data and is considered accurate at time of going to print.

TT Electronics | OPTEK Technology
1645 Wallace Drive, Carrollton, TX 75006 | Ph: +1 972 323 2200
www.ttelectronics.com | sensors@ttelectronics.com

Electrical Specifications

Electrical Characteristics ($T_A = 25^\circ\text{C}$ unless otherwise noted)

| SYMBOL | PARAMETER | MIN | TYP | MAX | UNITS | TEST CONDITIONS |
|----------------------------|--|-----|-------|---------------------|----------------------|--|
| Input Diode | | | | | | |
| V_F | Forward Voltage ⁽³⁾ | | | | | |
| | OP290, OP295 | - | - | 4.00 | V | $I_F = 1.50\text{ A}$ |
| | OP291, OP296 | - | - | 2.00 | | $I_F = 100\text{ mA}$ |
| | OP292, OP297, OP297FAB | - | - | 1.75 | | $I_F = 20\text{ mA}$ |
| | OP293, OP298 (A, B, C) | - | - | 2.00 | | $I_F = 1.50\text{ A}$ |
| | OP298 (AA, AD) | - | - | 2.00 | | $I_F = 100\text{ mA}$ |
| OP294, OP299 | - | - | 1.50 | $I_F = 5\text{ mA}$ | | |
| I_R | Reverse Current ⁽³⁾ | | | | μA | |
| | OP290, OP292 | - | - | 10 | | $V_R = 5\text{ V}$ |
| | OP291, OP293, OP298 (A, B, C), OP296 | - | - | 100 | | $V_R = 2\text{ V}$ |
| | OP298 (AA, AD) | - | - | 100 | | $V_R = 2\text{ V}$ |
| | OP294, OP299 | - | - | 10 | | $V_R = 2\text{ V}$ |
| | OP295, OP297 OP297FAB | - | - | 10 15 | | $V_R = 5\text{ V}$ $V_R = 5\text{ V}$ |
| λ_P | Wavelength at Peak Emission | | | | nm | $I_F = 10\text{ mA}$ |
| | OP290, OP291, OP292, OP293, OP294, OP295, OP296, OP297, OP298 (A, B, C), OP299 | - | 890 | - | | |
| | OP297FAB, OP298 (AA, AD) | - | 875 | - | | |
| B | Spectral Bandwidth between Half Power Points | - | 80 | - | nm | $I_F = 10\text{ mA}$ |
| $\Delta\lambda_P/\Delta T$ | Spectral Shift with Temperature | - | +0.18 | - | nm/ $^\circ\text{C}$ | $I_F = \text{Constant}$ |
| θ_{HP} | Emission Angle at Half Power Points | | | | Degree | $I_F = 20\text{ mA}$ |
| | OP290, OP291, OP292, OP294 | - | 50 | - | | |
| | OP293 | - | 60 | - | | |
| | OP295, OP296, OP297, OP299 | - | 20 | - | | |
| | OP298 | - | 25 | - | | |
| t_r | Output Rise Time | - | 500 | - | ns | $I_{F(PK)}=100\text{ mA}$, $PW=10\text{ }\mu\text{s}$, and D.C.=10.0% |
| t_f | Output Fall Time | - | 250 | - | ns | |

Notes:

- Measurement is taken at the end of a single 100 μs pulse. Heating due to increased pulse rate or pulse width will cause a decrease in reading.
- Measurement of the average apertured radiant energy incident upon a sensing area 0.250" (6.35 mm) in diameter perpendicular to and centered on the mechanical axis of the lens and the specified distance from the end of the device. On all models in this series, $E_{E(APT)}$ is not necessarily uniform within the measured area.
- Measurement is taken at the end of a single 10 ms pulse. Heating due to increased pulse rate or pulse width will cause a decrease in reading.

General Note

TT Electronics reserves the right to make changes in product specification without notice or liability. All information is subject to TT Electronics' own data and is considered accurate at time of going to print.

TT Electronics | OPTEK Technology
1645 Wallace Drive, Carrollton, TX 75006 | Ph: +1 972 323 2200
www.ttelectronics.com | sensors@ttelectronics.com

Performance

OP290, OP291, OP292, OP293, OP294, (A, C)

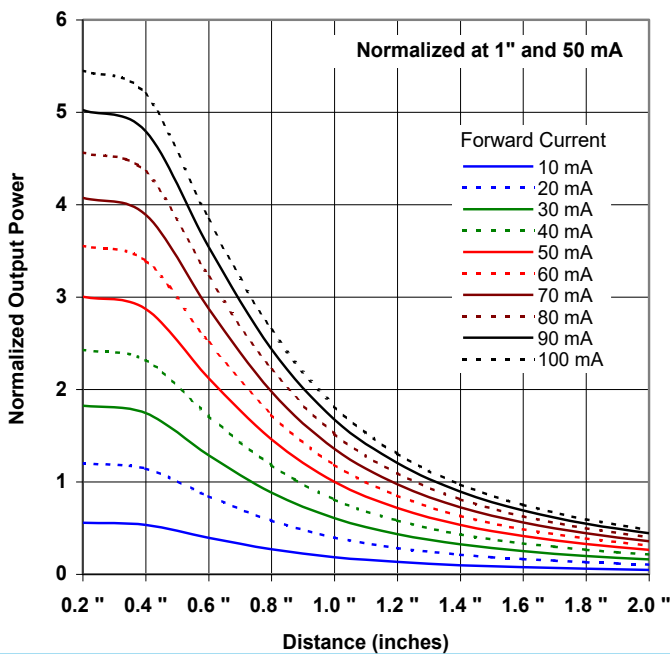
Forward Voltage vs Forward Current vs Temp.



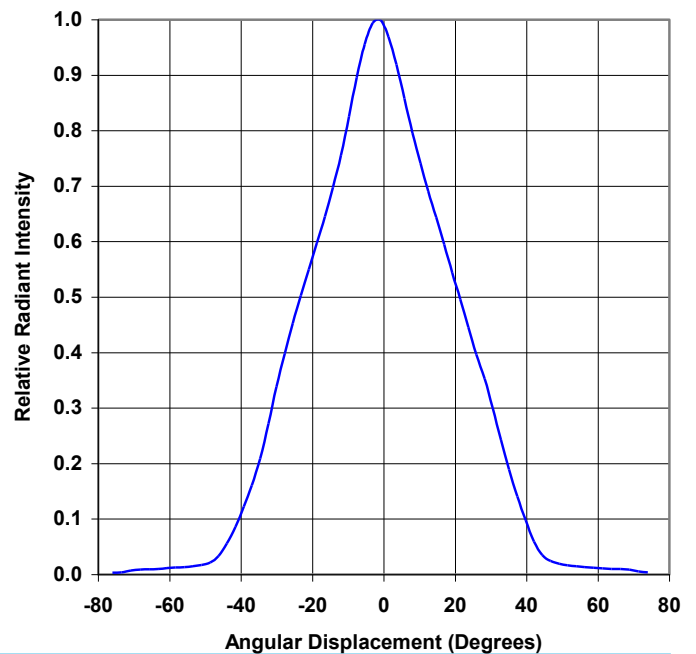
Optical Power vs Forward Current vs Temperature



Distance vs Output Power vs Forward Current



Relative Radiant Intensity vs. Angular Displacement



General Note

TT Electronics reserves the right to make changes in product specification without notice or liability. All information is subject to TT Electronics' own data and is considered accurate at time of going to print.

TT Electronics | OPTEK Technology
 1645 Wallace Drive, Carrollton, TX 75006 | Ph: +1 972 323 2200
www.ttelectronics.com | sensors@ttelectronics.com

Plastic Infrared Emitting Diode

OP290 Series



Performance

OP295, OP296, OP297, OP298, OP299



General Note

TT Electronics reserves the right to make changes in product specification without notice or liability. All information is subject to TT Electronics' own data and is considered accurate at time of going to print.

TT Electronics | OPTEK Technology
 1645 Wallace Drive, Carrollton, TX 75006 | Ph: +1 972 323 2200
www.ttelectronics.com | sensors@ttelectronics.com

Performance

OP290A/OP593 and OP295/OP598 - Coupling Characteristics



General Note

TT Electronics reserves the right to make changes in product specification without notice or liability. All information is subject to TT Electronics' own data and is considered accurate at time of going to print.

Компания «Океан Электроники» предлагает заключение долгосрочных отношений при поставках импортных электронных компонентов на взаимовыгодных условиях!

Наши преимущества:

- Поставка оригинальных импортных электронных компонентов напрямую с производств Америки, Европы и Азии, а так же с крупнейших складов мира;
- Широкая линейка поставок активных и пассивных импортных электронных компонентов (более 30 млн. наименований);
- Поставка сложных, дефицитных, либо снятых с производства позиций;
- Оперативные сроки поставки под заказ (от 5 рабочих дней);
- Экспресс доставка в любую точку России;
- Помощь Конструкторского Отдела и консультации квалифицированных инженеров;
- Техническая поддержка проекта, помощь в подборе аналогов, поставка прототипов;
- Поставка электронных компонентов под контролем ВП;
- Система менеджмента качества сертифицирована по Международному стандарту ISO 9001;
- При необходимости вся продукция военного и аэрокосмического назначения проходит испытания и сертификацию в лаборатории (по согласованию с заказчиком);
- Поставка специализированных компонентов военного и аэрокосмического уровня качества (Xilinx, Altera, Analog Devices, Intersil, Interpoint, Microsemi, Actel, Aeroflex, Peregrine, VPT, Syfer, Eurofarad, Texas Instruments, MS Kennedy, Miteq, Cobham, E2V, MA-COM, Hittite, Mini-Circuits, General Dynamics и др.);

Компания «Океан Электроники» является официальным дистрибьютором и эксклюзивным представителем в России одного из крупнейших производителей разъемов военного и аэрокосмического назначения «JONHON», а так же официальным дистрибьютором и эксклюзивным представителем в России производителя высокотехнологичных и надежных решений для передачи СВЧ сигналов «FORSTAR».



JONHON

«JONHON» (основан в 1970 г.)

Разъемы специального, военного и аэрокосмического назначения:

(Применяются в военной, авиационной, аэрокосмической, морской, железнодорожной, горно- и нефтедобывающей отраслях промышленности)

«FORSTAR» (основан в 1998 г.)

ВЧ соединители, коаксиальные кабели, кабельные сборки и микроволновые компоненты:

(Применяются в телекоммуникациях гражданского и специального назначения, в средствах связи, РЛС, а так же военной, авиационной и аэрокосмической отраслях промышленности).



Телефон: 8 (812) 309-75-97 (многоканальный)

Факс: 8 (812) 320-03-32

Электронная почта: ocean@oceanchips.ru

Web: <http://oceanchips.ru/>

Адрес: 198099, г. Санкт-Петербург, ул. Калинина, д. 2, корп. 4, лит. А