



3.3V

Low-Power CMOS Oscillator

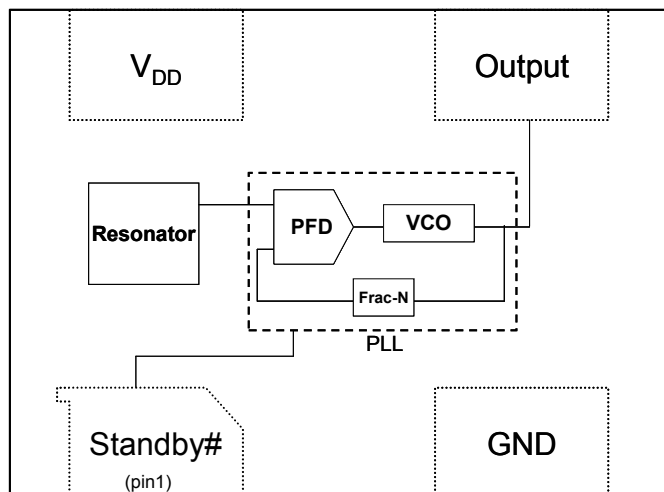
## General Description

The DSC1033 is a 3.3V fixed frequency MEMS based PureSilicon™ Oscillator. It can be factory programmed to any frequency from 1 to 150MHz.

The DSC1033 incorporates an all silicon resonator that is extremely robust and nearly immune to stress related fractures, common to crystal based oscillators. Without sacrificing the performance and stability required of today's systems, a crystal-less design allows for a higher level of reliability, making the DSC1033 ideal for rugged, industrial, and portable applications where stress, shock, and vibration can damage quartz crystal based systems.

Available in industry standard packages, the DSC1033 can be "dropped-in" to the same PCB footprint as standard crystal oscillators.

## Block Diagram



## Features

- Frequency Range: 1 to 150MHz
- Exceptional Stability over Temperature
  - $\pm 25$  PPM,  $\pm 50$  PPM
- Operating voltage
  - 3.0 to 3.6V
- Operating Temperature Range
  - Industrial  $-40^{\circ}\text{C}$  to  $85^{\circ}\text{C}$
  - Ext. Commercial  $-20^{\circ}\text{C}$  to  $70^{\circ}\text{C}$
  - Commercial  $0^{\circ}\text{C}$  to  $70^{\circ}\text{C}$
- Low Operating and Standby Current
  - 3mA Operating (40MHz)
  - 1uA Standby
- Ultra Miniature Footprint
  - $2.5 \times 2.0 \times 0.85$  mm
  - $3.2 \times 2.5 \times 0.85$  mm
  - $5.0 \times 3.2 \times 0.85$  mm
  - $7.0 \times 5.0 \times 0.85$  mm
- Excellent Shock and Vibration Resistance
- Lead Free, RoHS & Reach SVHC Compliant

## Benefits

- Pin for pin "drop in" replacement for industry standard oscillators
- Semiconductor level reliability, significantly higher than quartz
- Short mass production lead-times
- Longer Battery Life / Reduced Power
- Compact Plastic package
- Cost Effective

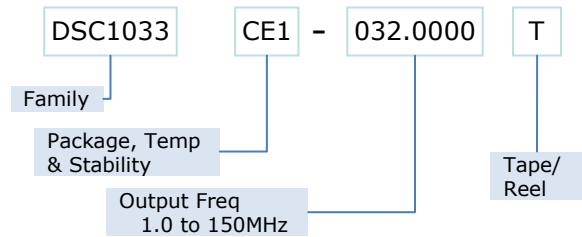
## Applications

- Mobile Applications
- Consumer Electronics
- Portable Electronics
- CCD Clock for VTR Cameras
- Low Profile Applications
- Industrial

## Absolute Maximum Ratings<sup>1</sup>

| Item           | Min. | Max                  | Unit | Condition   |
|----------------|------|----------------------|------|-------------|
| Supply Voltage | -0.3 | +4.0                 | V    |             |
| Input Voltage  | -0.3 | V <sub>DD</sub> +0.3 | V    |             |
| Junction Temp  | -    | +150                 | °C   |             |
| Storage Temp   | -55  | +150                 | °C   |             |
| Soldering Temp | -    | +260                 | °C   | 40 sec max. |
| ESD            | -    |                      | V    |             |
| HBM            |      | 2000                 |      |             |
| MM             |      | 200                  |      |             |
| CDM            |      | 500                  |      |             |

## Ordering Code



\* See Ordering Information for details

## Recommended Operating Conditions

| Parameter             | Symbol          | Range          |
|-----------------------|-----------------|----------------|
| Supply Voltage        | V <sub>DD</sub> | 3.0 – 3.6V     |
| Output Load           | Z <sub>L</sub>  | R>10KΩ, C≤15pF |
| Operating Temperature | T               |                |
| Option 1              |                 | -40 – +85 °C   |
| Option 2              |                 | -20 – +70 °C   |
| Option 3              |                 | 0 – +70 °C     |

## Specifications

| Parameter                        | Symbol          | Condition                                             | Min.                                                       | Typ.             | Max.                  | Unit  |
|----------------------------------|-----------------|-------------------------------------------------------|------------------------------------------------------------|------------------|-----------------------|-------|
| Frequency                        | f <sub>0</sub>  | Single Frequency                                      | 1                                                          |                  | 150                   | MHz   |
| Frequency Tolerance              |                 |                                                       |                                                            |                  |                       |       |
| Option 1                         |                 | -40°C to +85°C                                        |                                                            |                  | ±25,±50               | ppm   |
| Option 2                         |                 | -20°C to +70°C                                        |                                                            |                  | ±25,±50               |       |
| Option 3                         |                 | 0°C to +70°C                                          |                                                            |                  | ±25,±50               |       |
| Supply Current, no load          | I <sub>DD</sub> | C <sub>L</sub> =0p<br>R <sub>L</sub> =∞<br>T=25°<br>C | 1 to 40MHz<br>40 to 80MHz<br>80 to 125MHz<br>125 to 150MHz | 3<br>4<br>5<br>6 | 10                    | mA    |
| Supply Current, standby          | I <sub>DD</sub> | T=25°C                                                |                                                            |                  | 1.0                   | uA    |
| Output Logic Levels              |                 |                                                       |                                                            |                  |                       |       |
| Output logic high                | V <sub>OH</sub> | C <sub>L</sub> =15pF                                  | 0.8*V <sub>DD</sub>                                        |                  | -                     | Volts |
| Output logic low                 | V <sub>OL</sub> |                                                       | -                                                          |                  | 0.2*V <sub>DD</sub>   |       |
| Output Transition time           |                 |                                                       |                                                            |                  |                       |       |
| Rise Time                        | t <sub>R</sub>  | C <sub>L</sub> =15pF; T=25°C                          |                                                            | 1.3              | 2                     | ns    |
| Fall Time                        | t <sub>F</sub>  | 20%/80%*V <sub>DD</sub>                               |                                                            | 1.3              | 2                     |       |
| Output Startup Time <sup>2</sup> | t <sub>SU</sub> | T=25°C                                                |                                                            | 1.5              | 3                     | ms    |
| Output Disable Time              | t <sub>DA</sub> |                                                       |                                                            | 20               | 100                   | ns    |
| Output Duty Cycle                | SYM             |                                                       | 45                                                         |                  | 55                    | %     |
| Input Logic Levels               |                 |                                                       |                                                            |                  |                       |       |
| Input logic high                 | V <sub>IH</sub> |                                                       | 0.75*V <sub>DD</sub>                                       |                  | -                     | Volts |
| Input logic low                  | V <sub>IL</sub> |                                                       | -                                                          |                  | 0.25* V <sub>DD</sub> |       |
| Jitter, Cycle to Cycle           | J <sub>CC</sub> | F = 100MHz <sup>3</sup>                               |                                                            | 95               |                       | ps    |

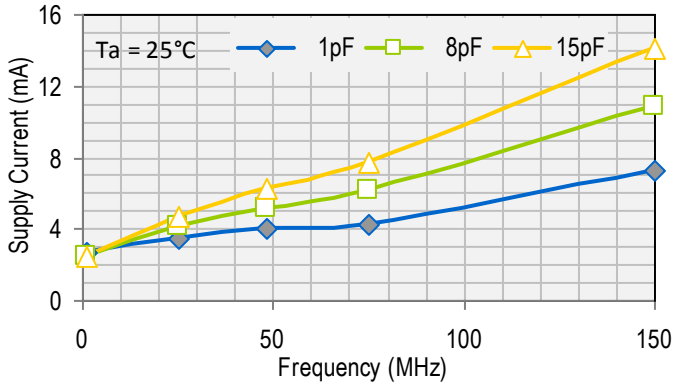
### Notes:

- Absolute maximum ratings are those values beyond which the safety of the device cannot be guaranteed. The device should not be operated beyond these limits.
- t<sub>SU</sub> is time to stable output frequency after V<sub>DD</sub> is applied. t<sub>SU</sub> and t<sub>EN</sub> (after EN is asserted) are identical values.
- See typical cycle to cycle jitter graph for frequency dependence.

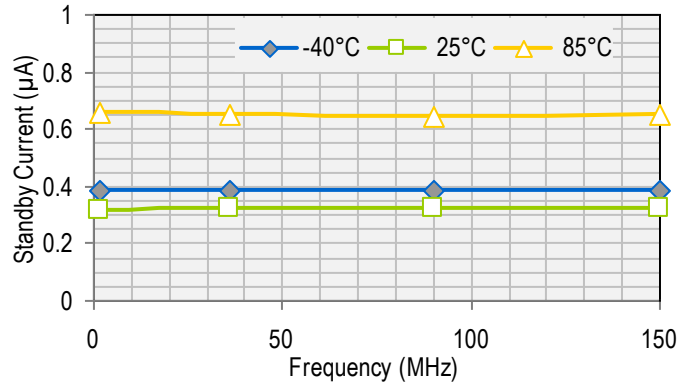
## Nominal Performance Characteristics

### 3.3V Characteristics

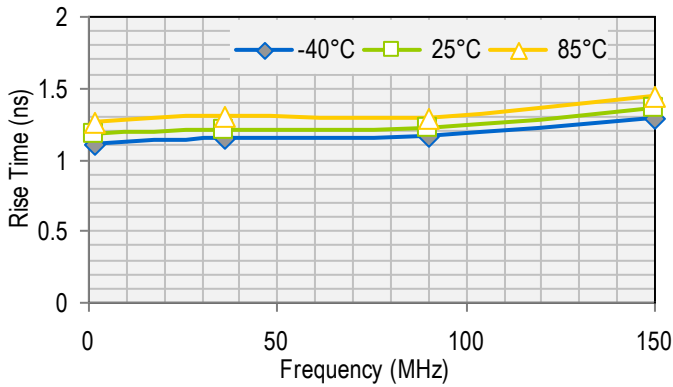
**Supply Current**



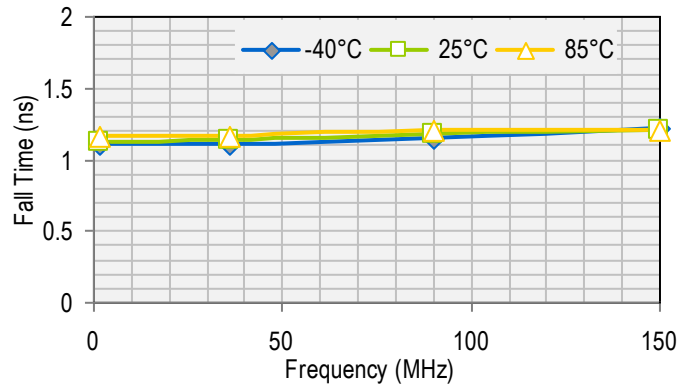
**Standby Current**



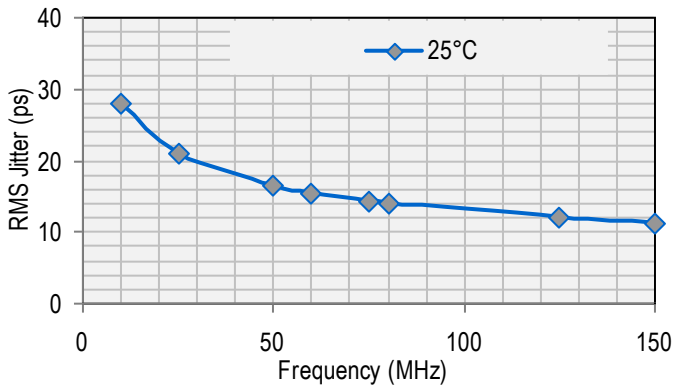
**Rise Time**



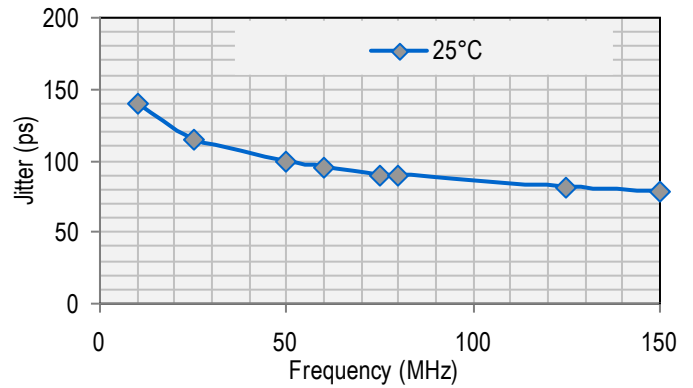
**Fall Time**



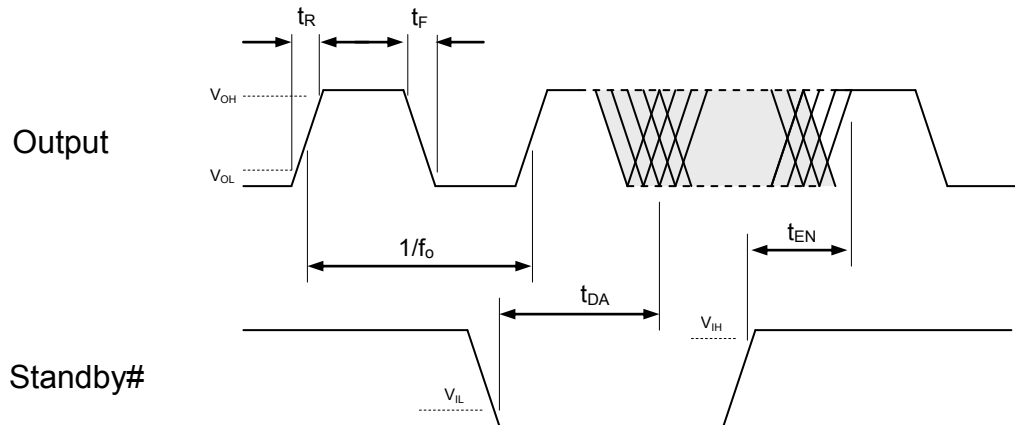
**Period Jitter**



**Cycle to Cycle Jitter**



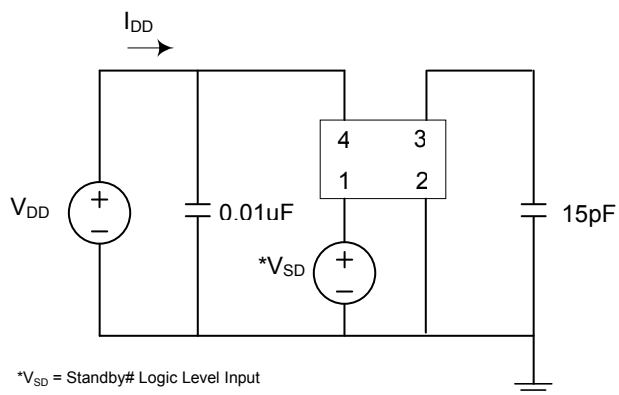
## Output Waveform



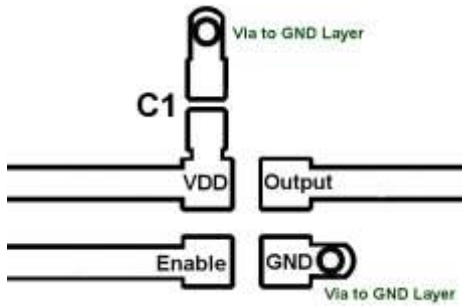
## Standby Function

| Standby# (pin 1)  | Output (pin 3) |
|-------------------|----------------|
| Hi Level          | Output ON      |
| Open (no connect) | Output ON      |
| Low Level         | High Impedance |

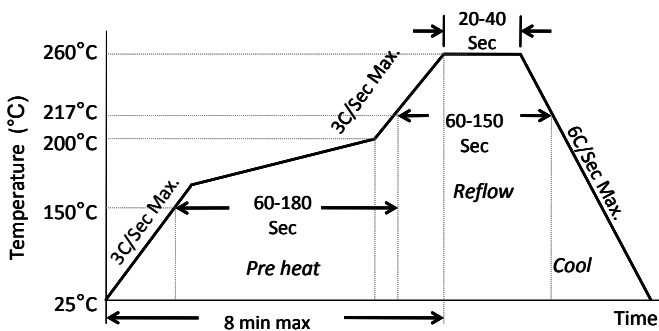
## Test Circuit



### Board Layout (recommended)



### Solder Reflow Profile



| MSL 1 @ 260°C refer to JSTD-020C  |              |
|-----------------------------------|--------------|
| Ramp-Up Rate (200°C to Peak Temp) | 3°C/Sec Max. |
| Preheat Time 150°C to 200°C       | 60-180 Sec   |
| Time maintained above 217°C       | 60-150 Sec   |
| Peak Temperature                  | 255-260°C    |
| Time within 5°C of actual Peak    | 20-40 Sec    |
| Ramp-Down Rate                    | 6°C/Sec Max. |
| Time 25°C to Peak Temperature     | 8 min Max.   |

### Package Dimensions

#### 7.0 x 5.0 mm Plastic Package

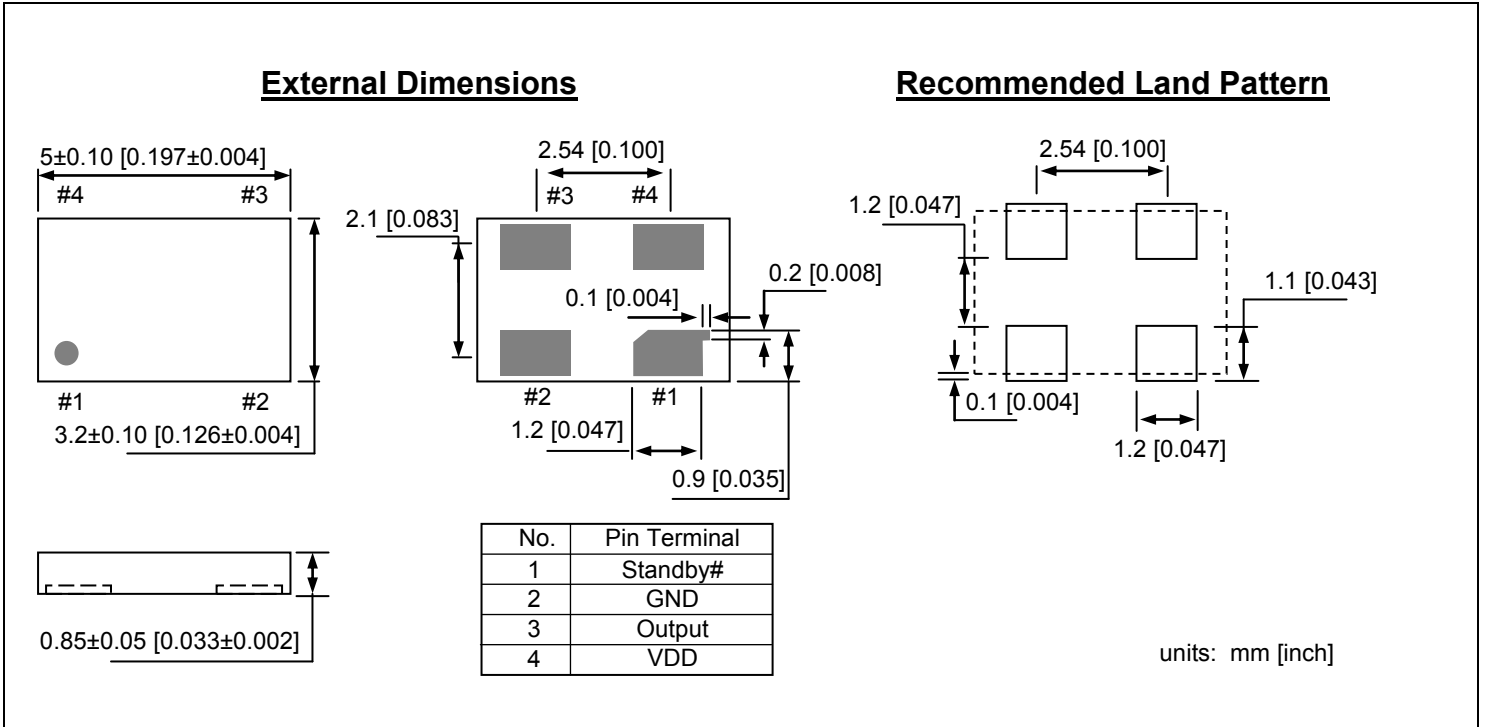
#### External Dimensions

#### Recommended Land Pattern\*

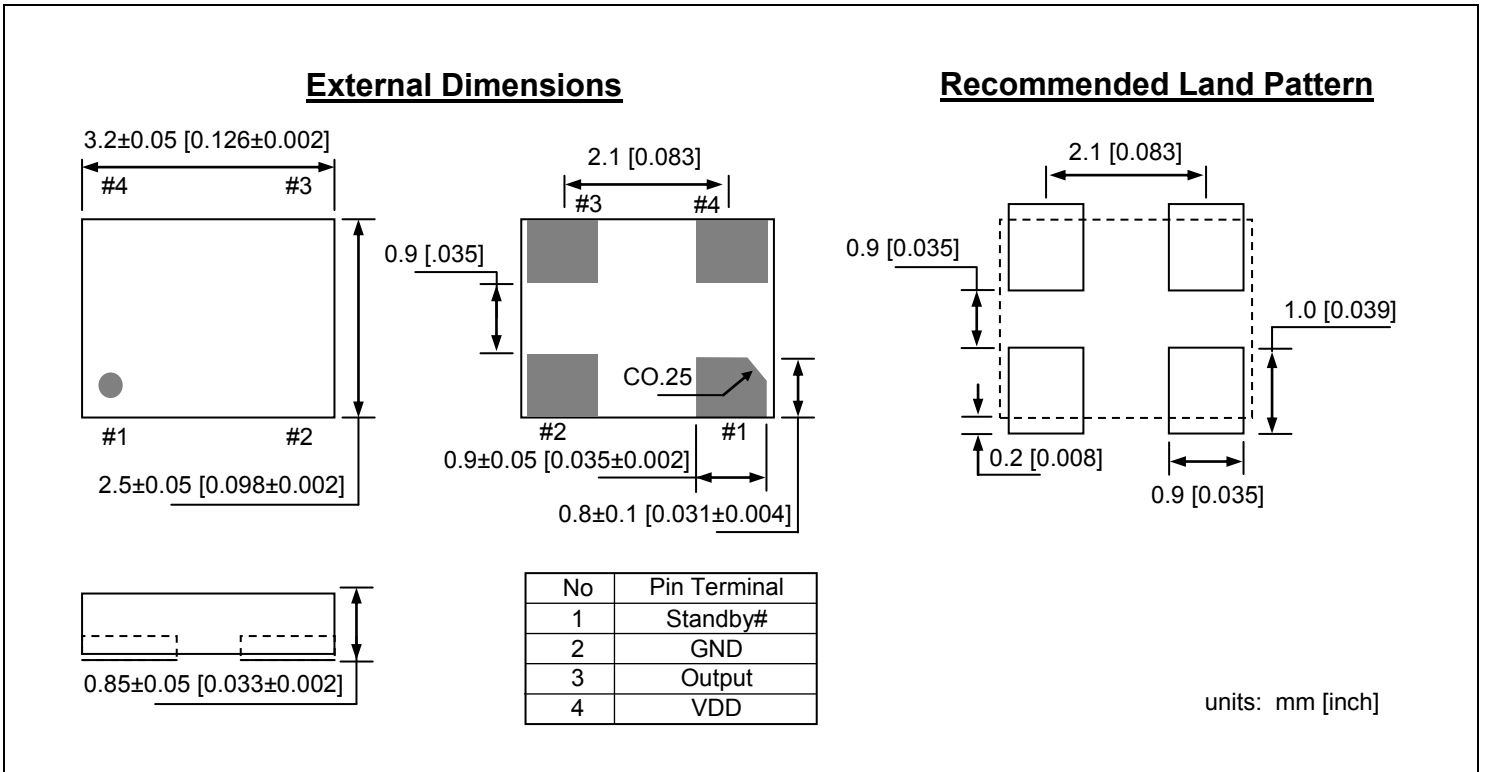
| No. | Pin Terminal |
|-----|--------------|
| 1   | Standby#     |
| 2   | GND          |
| 3   | Output       |
| 4   | VDD          |

units: mm [inch]

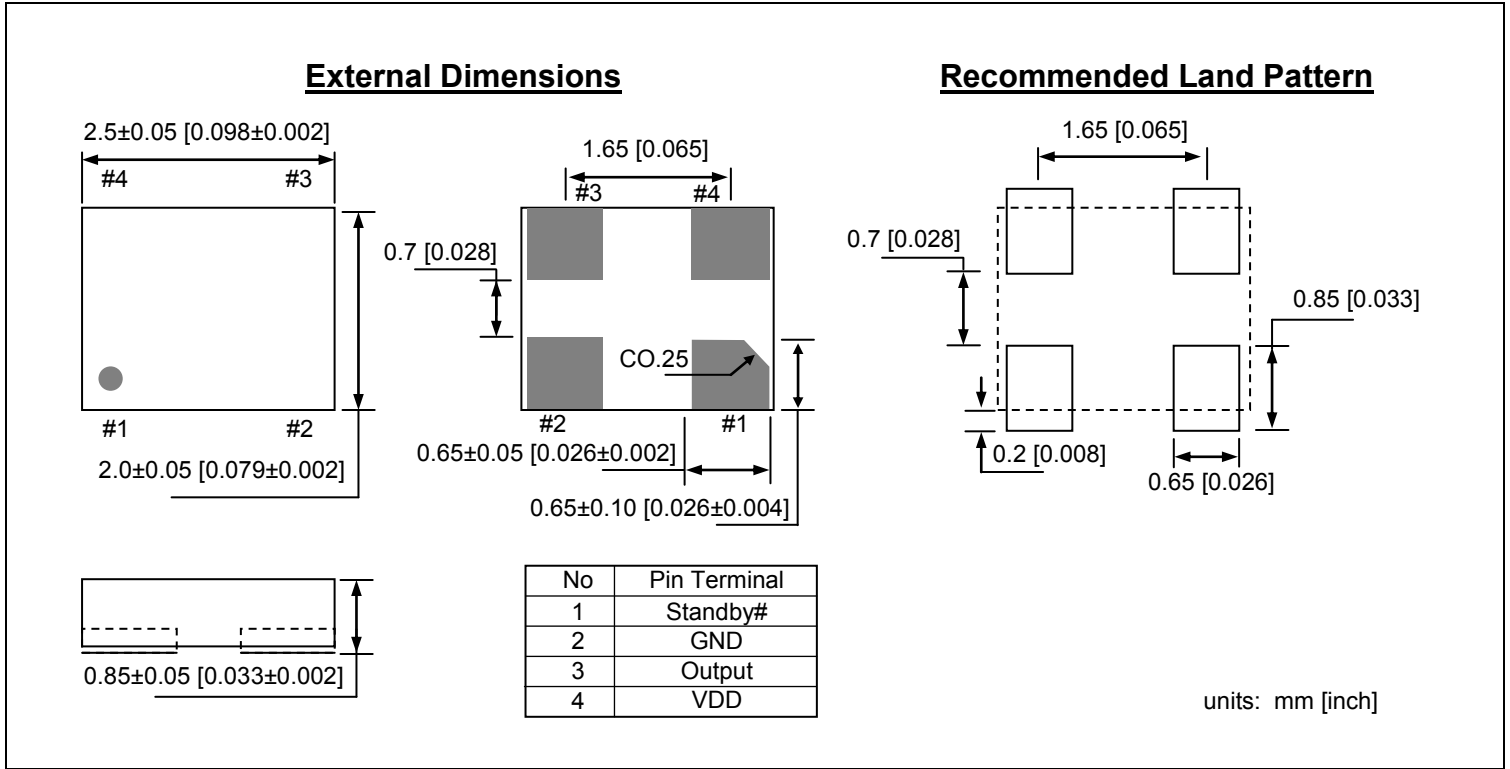
### 5.0 x 3.2 mm Plastic Package



### 3.2 x 2.5 mm Plastic Package



## 2.5 x 2.0 mm Plastic Package



## Ordering Information

### DSC1033 PTS – xxx.xxxx T

| PART NUMBERING GUIDE                                                                             |                                                                                   |                                          |                                       |                                              |
|--------------------------------------------------------------------------------------------------|-----------------------------------------------------------------------------------|------------------------------------------|---------------------------------------|----------------------------------------------|
| Package<br>(Plastic QFN)                                                                         | Temperature                                                                       | Stability                                | Frequency                             | Packing Option                               |
| <b>P=A:</b> 7.0x5.0mm<br><b>P=B:</b> 5.0x3.2mm<br><b>P=C:</b> 3.2x2.5mm<br><b>P=D:</b> 2.5x2.0mm | <b>T=C:</b> 0° ~ +70° C<br><b>T=E:</b> -20° ~ +70° C<br><b>T=I:</b> -40° ~ +85° C | <b>S=1:</b> ±50ppm<br><b>S=2:</b> ±25ppm | <b>XXX.XXXX</b><br>(4 decimal places) | <b>Blank:</b> Tubes<br><b>T:</b> Tape & Reel |

Example: DSC1033CE1-123.0000T

The example part number above is a 123.0000MHz oscillator in Plastic 3.2x2.5mm package, with ±50ppm stability over an operating temperature of -20 to +70°C, shipped in Tape and Reel. The reel size (7" or 13" diameter) will be determined by the factory based on quantity.

### Disclaimer:

Micrel makes no representations or warranties with respect to the accuracy or completeness of the information furnished in this data sheet. This information is not intended as a warranty and Micrel does not assume responsibility for its use. Micrel reserves the right to change circuitry, specifications and descriptions at any time without notice. No license, whether express, implied, arising by estoppel or otherwise, to any intellectual property rights is granted by this document. Except as provided in Micrel's terms and conditions of sale for such products, Micrel assumes no liability whatsoever, and Micrel disclaims any express or implied warranty relating to the sale and/or use of Micrel products including liability or warranties relating to fitness for a particular purpose, merchantability, or infringement of any patent, copyright or other intellectual property right.

**MICREL, Inc.**  
**Phone: +1 (408) 944-0800**

• **2180 Fortune Drive, San Jose, California 95131** •  
 • **Fax: +1 (408) 474-1000** • **Email: hbwhelp@micrel.com** •

**USA**  
[www.micrel.com](http://www.micrel.com)

Компания «Океан Электроники» предлагает заключение долгосрочных отношений при поставках импортных электронных компонентов на взаимовыгодных условиях!

Наши преимущества:

- Поставка оригинальных импортных электронных компонентов напрямую с производств Америки, Европы и Азии, а так же с крупнейших складов мира;
- Широкая линейка поставок активных и пассивных импортных электронных компонентов (более 30 млн. наименований);
- Поставка сложных, дефицитных, либо снятых с производства позиций;
- Оперативные сроки поставки под заказ (от 5 рабочих дней);
- Экспресс доставка в любую точку России;
- Помощь Конструкторского Отдела и консультации квалифицированных инженеров;
- Техническая поддержка проекта, помощь в подборе аналогов, поставка прототипов;
- Поставка электронных компонентов под контролем ВП;
- Система менеджмента качества сертифицирована по Международному стандарту ISO 9001;
- При необходимости вся продукция военного и аэрокосмического назначения проходит испытания и сертификацию в лаборатории (по согласованию с заказчиком);
- Поставка специализированных компонентов военного и аэрокосмического уровня качества (Xilinx, Altera, Analog Devices, Intersil, Interpoint, Microsemi, Actel, Aeroflex, Peregrine, VPT, Syfer, Eurofarad, Texas Instruments, MS Kennedy, Miteq, Cobham, E2V, MA-COM, Hittite, Mini-Circuits, General Dynamics и др.);

Компания «Океан Электроники» является официальным дистрибьютором и эксклюзивным представителем в России одного из крупнейших производителей разъемов военного и аэрокосмического назначения «JONHON», а так же официальным дистрибьютором и эксклюзивным представителем в России производителя высокотехнологичных и надежных решений для передачи СВЧ сигналов «FORSTAR».



## JONHON

«JONHON» (основан в 1970 г.)

Разъемы специального, военного и аэрокосмического назначения:

(Применяются в военной, авиационной, аэрокосмической, морской, железнодорожной, горно- и нефтедобывающей отраслях промышленности)

«FORSTAR» (основан в 1998 г.)

ВЧ соединители, коаксиальные кабели, кабельные сборки и микроволновые компоненты:

(Применяются в телекоммуникациях гражданского и специального назначения, в средствах связи, РЛС, а так же военной, авиационной и аэрокосмической отраслях промышленности).



Телефон: 8 (812) 309-75-97 (многоканальный)

Факс: 8 (812) 320-03-32

Электронная почта: [ocean@oceanchips.ru](mailto:ocean@oceanchips.ru)

Web: <http://oceanchips.ru/>

Адрес: 198099, г. Санкт-Петербург, ул. Калинина, д. 2, корп. 4, лит. А