



## SM802121

**ClockWorks™ 10GbE  
(156.25MHz), Ultra-Low Jitter, LVPECL  
Frequency Synthesizer**

### General Description

The SM802121 is a member of the ClockWorks™ family of devices from Micrel and provides an extremely low-noise timing solution for 10GbE Ethernet clock signals. It is based upon a unique patented RotaryWave® architecture that provides very-low phase noise.

The device operates from a 2.5V or 3.3V power supply and synthesizes an LVPECL output clock at 156.25MHz. The SM802121 accepts a 25MHz crystal or LVCMOS reference clock.

Data sheets and support documentation can be found on Micrel's web site at: [www.micrel.com](http://www.micrel.com).

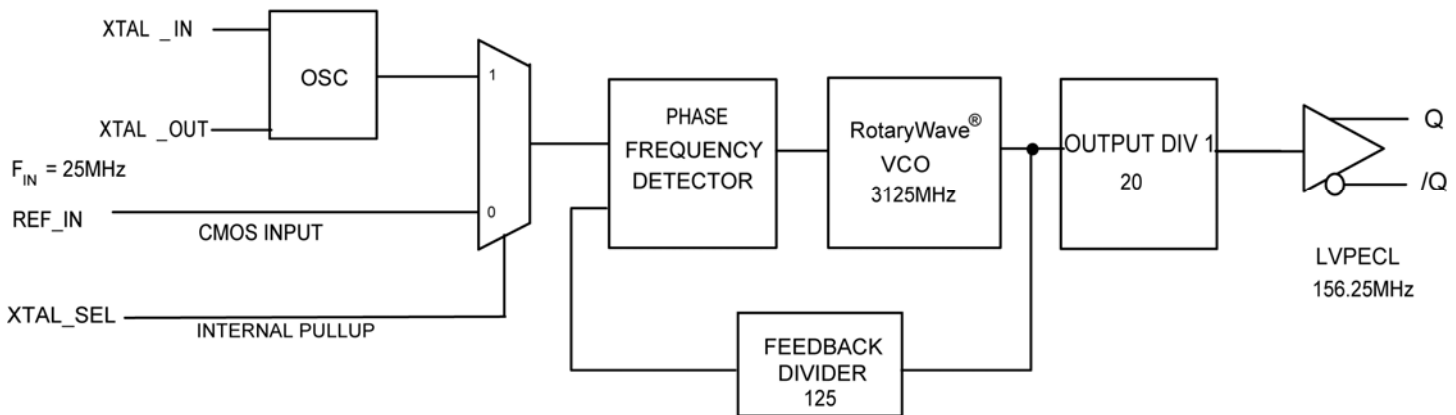
### Features

- Generates one LVPECL clock outputs at 156.25MHz
- 2.5V or 3.3V operating range
- Typical phase jitter @ 156.25MHz (1.875MHz to 20MHz): 110fs
- Industrial temperature range
- Green, RoHS-, and PFOS- compliant
- Available in 24-pin 4mm × 4mm QFN package

### Applications

- 10 Gigabit Ethernet

### Block Diagram



ClockWorks is a trademark of Micrel, Inc.  
RotaryWave is a registered trademark of Multigig, Inc.

Micrel Inc. • 2180 Fortune Drive • San Jose, CA 95131 • USA • tel +1 (408) 944-0800 • fax + 1 (408) 474-1000 • <http://www.micrel.com>

January 2012

M9999-011212-A  
[hbwhelp@micrel.com](mailto:hbwhelp@micrel.com) or (408) 955-1690

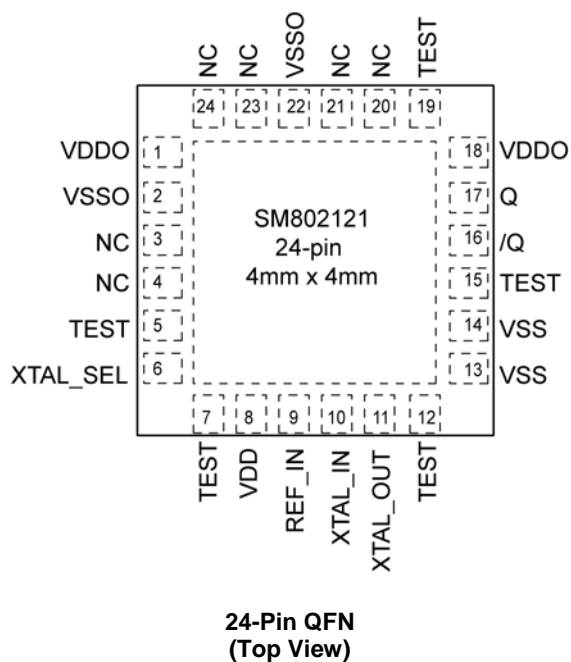
## Ordering Information<sup>(1)</sup>

Part Number	Marking	Shipping	Temperature Range	Package
SM802121UMG	802121	Tube	-40°C to +85°C	24-Pin QFN
SM802121UMGTR	802121	Tape and Reel	-40°C to +85°C	24-Pin QFN

**Note:**

1. Devices are Green, RoHS-, and PFOS- compliant.

## Pin Configuration



## Pin Description

Pin Number	Pin Name	Pin Type	Pin Level	Pin Function
16, 17	/Q, Q	O, (DIF)	LVPECL	Differential Clock Output 156.25MHz.
1, 18	VDDO	PWR		Power Supply for Output.
2, 22	VSSO	PWR		Power Supply Ground for Output.
6	XTAL_SEL	I, (SE)	LVCNMOS	Selects PLL Input Reference Source (0 = REF_IN, 1 = XTAL, 45KΩ pull-up).
3, 4, 20, 21, 23, 24	NC			No Connect. Do not connect anything to these pins.
5, 7, 12, 15, 19	TEST			Factory Test Pins. Do not connect anything to these pins.
8	VDD	PWR		Core Power Supply.
13, 14	VSS (Exposed Pad)	PWR		Core Power Supply Ground. The exposed pad must be connected to the VSS ground plane.
9	REF_IN	I, (SE)	LVCNMOS	Reference Clock Input.
10	XIN	I, (SE)	crystal	Crystal Reference Input. No load caps needed. (See Fig. 5)
11	XOUT	O, (SE)	crystal	Crystal Reference Output. No load caps needed. (See Fig. 5)

## Application Information

### Input Reference

When operating with a crystal input reference, do not apply a switching signal to REF\_IN.

### Crystal Layout

Keep the layers under the crystal as open as possible and do not place switching signals or noisy supplies under the crystal.

Crystal load capacitance is built inside the die so no external capacitance is needed. See the *Selecting a quartz crystal for the Clockworks Flex I Family of Precision Synthesizers* application note for further details.

Contact Micrel's HBW applications group if you need assistance on selecting a suitable crystal for your application at [hbwhelp@micrel.com](mailto:hbwhelp@micrel.com)

## Truth Table

XTAL_SEL	INPUT
0	REF_IN
1	XTAL

### Absolute Maximum Ratings<sup>(1)</sup>

Supply Voltage ( $V_{DD}$ ,  $V_{DDO}$ ) ..... +4.6V  
 Input Voltage ( $V_{IN}$ ) ..... -0.50V to  $V_{DD} + 0.5V$   
 Lead Temperature (soldering, 20s) ..... 260°C  
 Case Temperature ..... 115°C  
 Storage Temperature ( $T_s$ ) ..... -65°C to +150°C

### Operating Ratings<sup>(2)</sup>

Supply Voltage ( $V_{DD}$ ,  $V_{DDO}$ ) ..... +2.375V to +3.465V  
 Ambient Temperature ( $T_A$ ) ..... -40°C to +85°C  
 Junction Thermal Resistance<sup>(3)</sup>  
     QFN ( $\theta_{JA}$ )  
         Still-Air ..... 50°C/W  
     QFN ( $\psi_{JB}$ )  
         Junction-to-Board ..... 30°C/W

### DC Electrical Characteristics<sup>(4)</sup>

$V_{DD} = V_{DDO} = 3.3V \pm 5\%$  or  $2.5V \pm 5\%$   
 $V_{DD} = 3.3V \pm 5\%$ ,  $V_{DDO} = 3.3V \pm 5\%$  or  $2.5V \pm 5\%$   
 $T_A = -40^\circ C$  to  $+85^\circ C$ .

Symbol	Parameter	Condition	Min.	Typ.	Max.	Units
$V_{DD}$ , $V_{DDO}$	2.5V Operating Voltage		2.375	2.5	2.625	V
$V_{DD}$ , $V_{DDO}$	3.3V Operating Voltage		3.135	3.3	3.465	V
$I_{DD}$	Supply Current $V_{DD} + V_{DDO}$	XTAL_SEL = 0; REF_IN source, outputs open		78	100	mA
$I_{DD}$	Supply Current $V_{DD} + V_{DDO}$	XTAL_SEL = 1; CRYSTAL source, outputs open		88	114	mA

### LVPECL DC Electrical Characteristics<sup>(4)</sup>

$V_{DD} = V_{DDO} = 3.3V \pm 5\%$  or  $2.5V \pm 5\%$   
 $V_{DD} = 3.3V \pm 5\%$ ,  $V_{DDO} = 3.3V \pm 5\%$  or  $2.5V \pm 5\%$   
 $T_A = -40^\circ C$  to  $+85^\circ C$ .  $R_L = 50\Omega$  to  $V_{DDO} - 2V$

Symbol	Parameter	Condition	Min.	Typ.	Max.	Units
$V_{OH}$	Output High Voltage		$V_{DDO} - 1.145$	$V_{DDO} - 0.97$	$V_{DDO} - 0.845$	V
$V_{OL}$	Output Low Voltage		$V_{DDO} - 1.945$	$V_{DDO} - 1.77$	$V_{DDO} - 1.645$	V
$V_{SWING}$	Output Voltage Swing		0.6	0.8	1.0	V

**Notes:**

1. Permanent device damage may occur if absolute maximum ratings are exceeded. This is a stress rating only and functional operation is not implied at conditions other than those detailed in the operational sections of this data sheet. Exposure to absolute maximum rating conditions for extended periods may affect device reliability.
2. The data sheet limits are not guaranteed if the device is operated beyond the operating ratings.
3. Package thermal resistance assumes exposed pad is soldered (or equivalent) to the devices most negative potential on the PCB.
4. The circuit is designed to meet the AC and DC specifications shown in the above table(s) after thermal equilibrium has been established.

## LVC MOS (XTAL\_SEL) DC Electrical Characteristics<sup>(4)</sup>

$V_{DD} = 3.3V \pm 5\%$ , or  $2.5V \pm 5\%$ ,  $T_A = -40^\circ\text{C}$  to  $+85^\circ\text{C}$ .

Symbol	Parameter	Condition	Min.	Typ.	Max.	Units
$V_{IH}$	Input High Voltage		2		$V_{DD} + 0.3$	V
$V_{IL}$	Input Low Voltage		-0.3		0.8	V
$I_{IH}$	Input High Current	$V_{DD} = V_{IN} = 3.465V$			5	$\mu\text{A}$
$I_{IL}$	Input Low Current	$V_{DD} = 3.465V, V_{IN} = 0V$	-150			$\mu\text{A}$

## REF\_IN DC Electrical Characteristics<sup>(4)</sup>

$V_{DD} = 3.3V \pm 5\%$ , or  $2.5V \pm 5\%$ ,  $T_A = -40^\circ\text{C}$  to  $+85^\circ\text{C}$ .

Symbol	Parameter	Condition	Min.	Typ.	Max.	Units
$V_{IH}$	Input High Voltage		1.1		$V_{DD} + 0.3$	V
$V_{IL}$	Input Low Voltage		-0.3		0.6	V
$I_{IN}$	Input Current	$XTAL\_SEL = V_{IL}, V_{IN} = 0V$ to $V_{DD}$	-5		5	$\mu\text{A}$
		$XTAL\_SEL = V_{IH}, V_{IN} = V_{DD}$		20		$\mu\text{A}$

## Crystal Characteristics

Parameter	Condition	Min.	Typ.	Max.	Units
Mode of Oscillation	10pF Load	<b>Fundamental, Parallel Resonant</b>			
Frequency			25		MHz
Equivalent Series Resistance (ESR)				50	$\Omega$
Shunt Capacitor (C0)			1	5	pF
Correlation Drive Level			10	100	$\mu\text{W}$

**AC Electrical Characteristics**<sup>(4, 5)</sup>

$V_{DD} = V_{DDO} = 3.3V \pm 5\%$  or  $2.5V \pm 5\%$

$V_{DD} = 3.3V \pm 5\%$ ,  $V_{DDO} = 3.3V \pm 5\%$  or  $2.5V \pm 5\%$

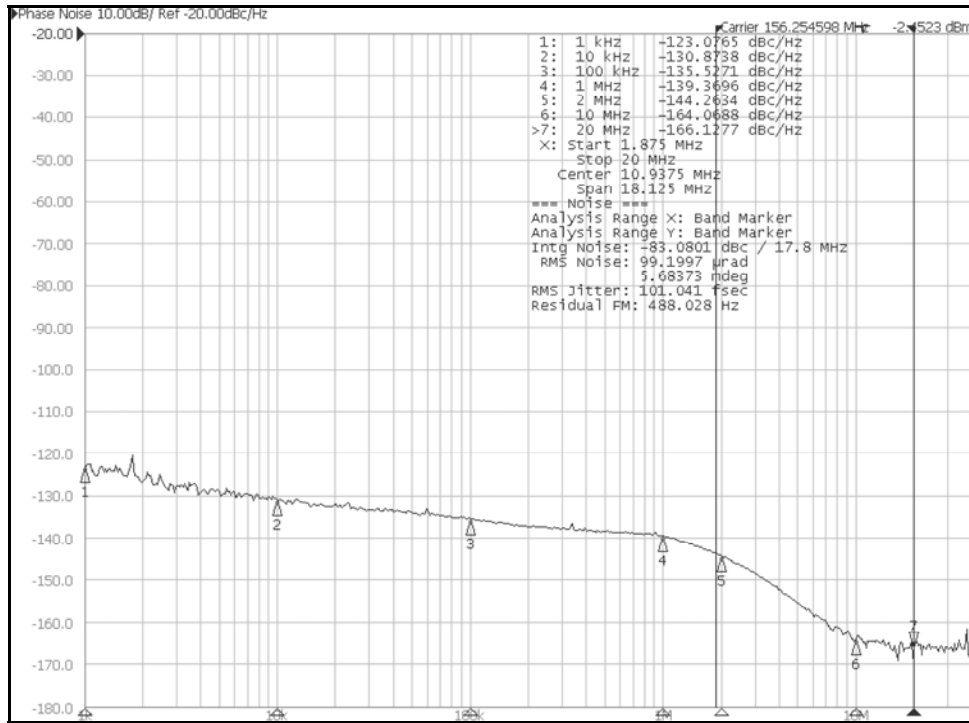
$T_A = -40^\circ\text{C}$  to  $+85^\circ\text{C}$ .  $R_L = 50\Omega$  to  $V_{DDO} - 2V$

Symbol	Parameter	Condition	Min.	Typ.	Max.	Units
$F_{OUT}$	Output Frequency			156.25		MHz
$F_{REF}$	Reference Input Frequency			25		MHz
$T_R/T_F$	LVPECL Output Rise/Fall Time	20% – 80%	80	175	350	ps
ODC	Output Duty Cycle		48	50	52	%
$T_{LOCK}$	PLL Lock Time				20	ms
$T_{jit}(\emptyset)$	RMS Phase Jitter <sup>(6)</sup>	156.25MHz Integration Range (1.875MHz – 20MHz) Integration Range (12kHz – 20MHz)		110 250		fs
	Spurious Noise Components	6.25MHz		-75		dBc

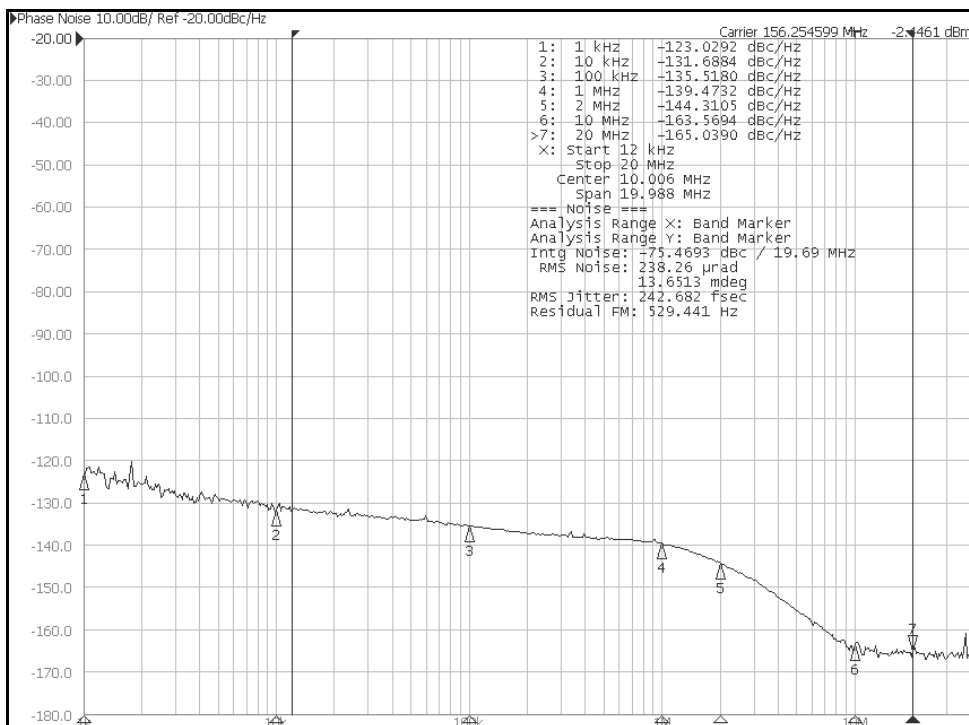
**Notes:**

5. All phase-noise measurements were taken with an Agilent 5052B phase-noise system.
6. Measured using a 25MHz crystal as the input reference source. If using an external reference input, use a low phase noise source. With an external reference, the phase noise will follow the input source phase noise up to about 1MHz offset.

### Phase Noise Plots (XTAL Source)



Phase Noise Plot: 156.25MHz, 1.875MHz – 20MHz 101fS



Phase Noise Plot: 156.25MHz, 12kHz – 20MHz 243fS

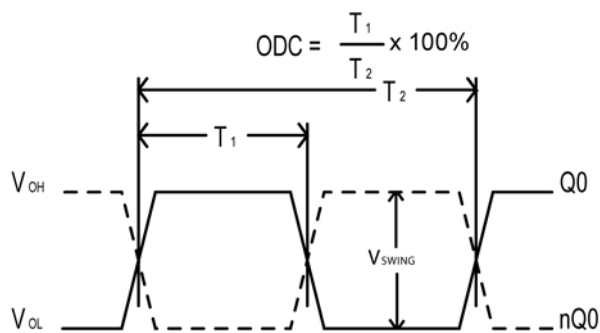


Figure 1. Duty Cycle Timing

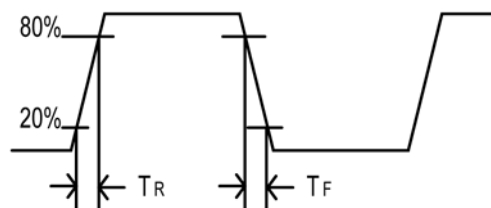


Figure 2. All Outputs Rise/Fall Time

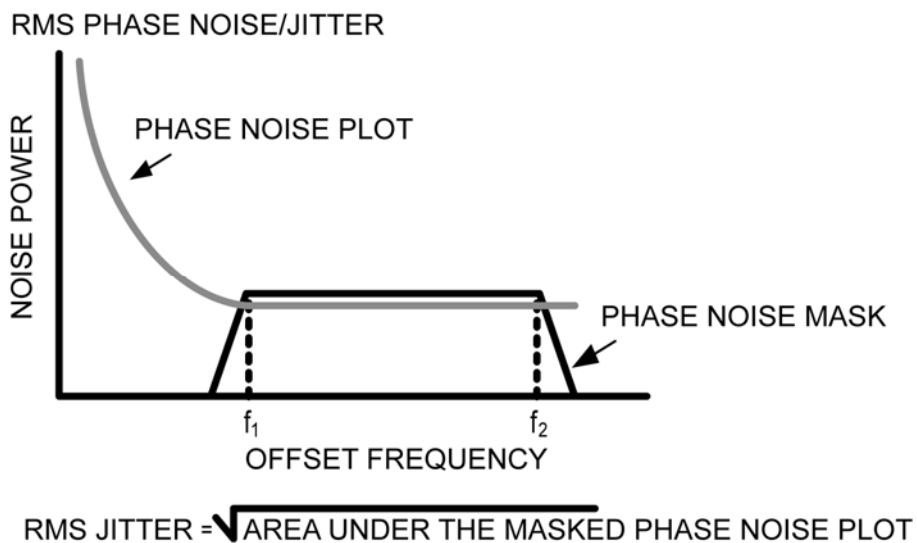


Figure 3. RMS Phase/Noise Jitter



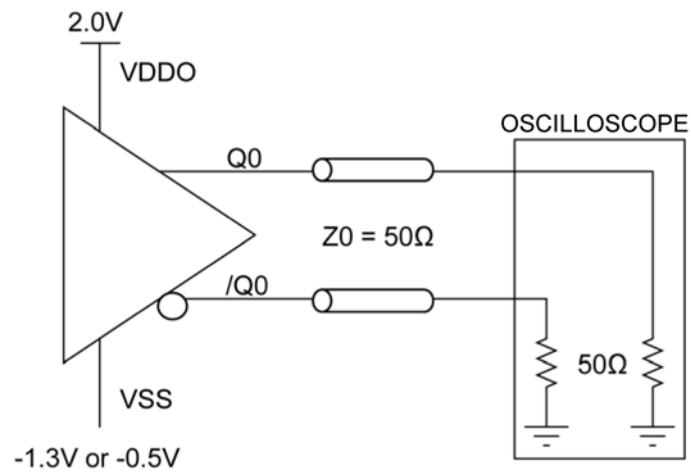


Figure 4. LVPECL Output Load and Test Circuit

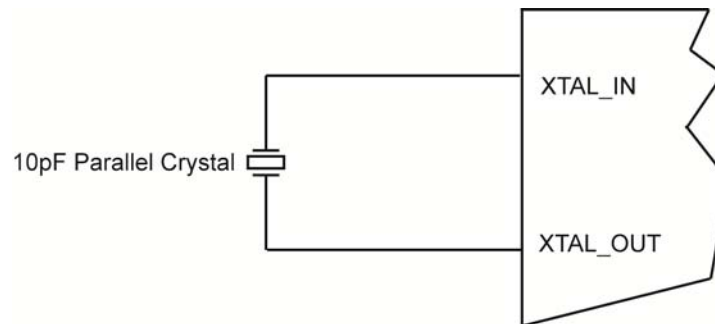
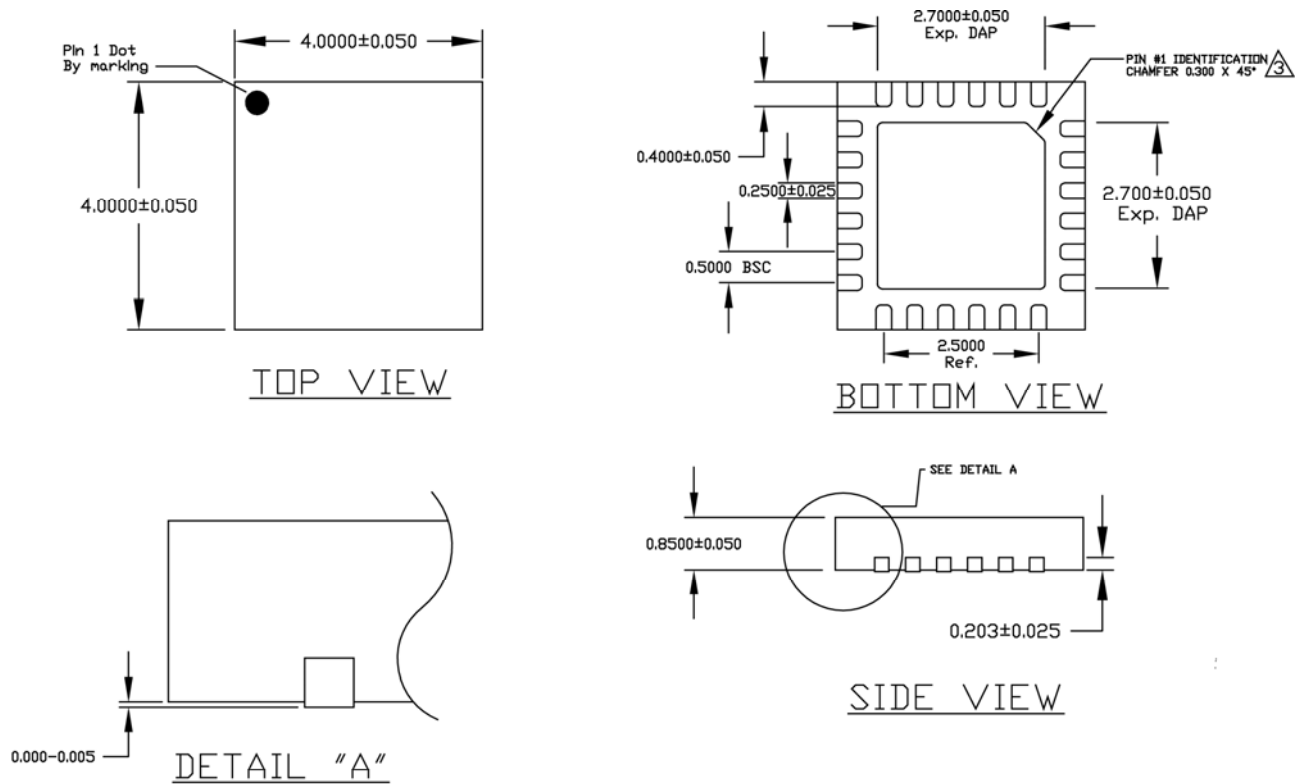


Figure 5. Crystal Input Interface

## Package Information



**NOTE:**

1. ALL DIMENSIONS ARE IN MILLIMETERS (mm).
2. THE PIN#1 IDENTIFIER MUST EXIST ON THE TOP SURFACE OF PACKAGE BY USING IDENTIFICATION MARK OR OTHER FEATURE OF PACKAGE BODY.

CHAMFER STYLE PIN 1 IDENTIFIER ON BOTTOM SIDE

### 24-Pin Package Type

**MICREL, INC. 2180 FORTUNE DRIVE SAN JOSE, CA 95131 USA**  
 TEL +1 (408) 944-0800 FAX +1 (408) 474-1000 WEB <http://www.micrel.com>

Micrel makes no representations or warranties with respect to the accuracy or completeness of the information furnished in this data sheet. This information is not intended as a warranty and Micrel does not assume responsibility for its use. Micrel reserves the right to change circuitry, specifications and descriptions at any time without notice. No license, whether express, implied, arising by estoppel or otherwise, to any intellectual property rights is granted by this document. Except as provided in Micrel's terms and conditions of sale for such products, Micrel assumes no liability whatsoever, and Micrel disclaims any express or implied warranty relating to the sale and/or use of Micrel products including liability or warranties relating to fitness for a particular purpose, merchantability, or infringement of any patent, copyright or other intellectual property right.

Micrel Products are not designed or authorized for use as components in life support appliances, devices or systems where malfunction of a product can reasonably be expected to result in personal injury. Life support devices or systems are devices or systems that (a) are intended for surgical implant into the body or (b) support or sustain life, and whose failure to perform can be reasonably expected to result in a significant injury to the user. A Purchaser's use or sale of Micrel Products for use in life support appliances, devices or systems is a Purchaser's own risk and Purchaser agrees to fully indemnify Micrel for any damages resulting from such use or sale.

© 2012 Micrel, Incorporated.

Компания «Океан Электроники» предлагает заключение долгосрочных отношений при поставках импортных электронных компонентов на взаимовыгодных условиях!

Наши преимущества:

- Поставка оригинальных импортных электронных компонентов напрямую с производств Америки, Европы и Азии, а так же с крупнейших складов мира;
- Широкая линейка поставок активных и пассивных импортных электронных компонентов (более 30 млн. наименований);
- Поставка сложных, дефицитных, либо снятых с производства позиций;
- Оперативные сроки поставки под заказ (от 5 рабочих дней);
- Экспресс доставка в любую точку России;
- Помощь Конструкторского Отдела и консультации квалифицированных инженеров;
- Техническая поддержка проекта, помощь в подборе аналогов, поставка прототипов;
- Поставка электронных компонентов под контролем ВП;
- Система менеджмента качества сертифицирована по Международному стандарту ISO 9001;
- При необходимости вся продукция военного и аэрокосмического назначения проходит испытания и сертификацию в лаборатории (по согласованию с заказчиком);
- Поставка специализированных компонентов военного и аэрокосмического уровня качества (Xilinx, Altera, Analog Devices, Intersil, Interpoint, Microsemi, Actel, Aeroflex, Peregrine, VPT, Syfer, Eurofarad, Texas Instruments, MS Kennedy, Miteq, Cobham, E2V, MA-COM, Hittite, Mini-Circuits, General Dynamics и др.);

Компания «Океан Электроники» является официальным дистрибьютором и эксклюзивным представителем в России одного из крупнейших производителей разъемов военного и аэрокосмического назначения «JONHON», а так же официальным дистрибьютором и эксклюзивным представителем в России производителя высокотехнологичных и надежных решений для передачи СВЧ сигналов «FORSTAR».



## JONHON

«JONHON» (основан в 1970 г.)

Разъемы специального, военного и аэрокосмического назначения:

(Применяются в военной, авиационной, аэрокосмической, морской, железнодорожной, горно- и нефтедобывающей отраслях промышленности)

«FORSTAR» (основан в 1998 г.)

ВЧ соединители, коаксиальные кабели, кабельные сборки и микроволновые компоненты:

(Применяются в телекоммуникациях гражданского и специального назначения, в средствах связи, РЛС, а так же военной, авиационной и аэрокосмической отраслях промышленности).



Телефон: 8 (812) 309-75-97 (многоканальный)

Факс: 8 (812) 320-03-32

Электронная почта: [ocean@oceanchips.ru](mailto:ocean@oceanchips.ru)

Web: <http://oceanchips.ru/>

Адрес: 198099, г. Санкт-Петербург, ул. Калинина, д. 2, корп. 4, лит. А